

# 501

## BALDOR • RELIANCE Stock Product Catalog

### The Industry's Most Preferred



# BALDOR®



## 501 Section Headings

General Information .....	5	IEC Frame Motors .....	175
Premium Efficient Super-E® Motors .....	8	50 Hertz Motors .....	185
Single Phase Motors .....	32	Inverter Drive® / Vector Drive® Motors & Controls .....	189
General Purpose Industrial Motors .....	38	DC Motors and Controls .....	267
Severe Duty Motors .....	58	Soft Starters and Dynamic Brakes .....	325
Washdown Duty Motors.....	77	Gearmotors and Gear Products .....	333
Explosion Proof Motors.....	87	Motor Accessories .....	386
Pump Motors .....	97	Grinders .....	398
Commercial Motors .....	112	Generators .....	407
HVAC Motors.....	120	Servo Motors and Controls .....	413
Farm Duty Motors.....	133	Mod Express .....	414
Definite Purpose Motors.....	140	Baldor Education Workshops .....	448
Unit Handling Motors .....	151	Warranties and Sales Policies .....	453
Brake Motors .....	155	Cross Reference and Index .....	455
200 and 575 Volt Motors.....	160	Baldor Sales Offices .....	543



*Baldor•Reliance® large motors are trusted to get the job done! Designed and built for superior reliability, energy savings and rugged performance...Baldor•Reliance is the preferred choice. With ratings to 1,500 Hp delivered from stock and the shortest lead-times available for custom motors to 15,000 Hp, no application is too tough for Baldor•Reliance motors.*

**CATALOG NOTES:**

- 1 Class F Insulated Motor with 1.15 Service Factor or higher that operates within Class "B" temperature limits at rated horsepower.
- 2 1.00 Service Factor.
- 3 Capacitor start, induction run.
- 4 Wye-start, delta-run.
- 5 Belted duty only, roller bearing.
- 6 F-2 Mounting
- 7 Companion voltages not available.
- 8 Class "H" Insulated.
- 9 Motors are not NAFTA qualified.
- 10 These motors meet the hardware requirements of IEEE 45/ABS and are not provided with Marine Plan Documentation.
- 11 F-3 Mounting
- 13 Furnished without conduit box. Order kit P/N K56G3230.
- 14 Type CH (Capacitor Start - Capacitor Run).
- 15 Motors rated 208-230/460 are operable to minimum 200 volts.
- 17 Capable of 100% thrust in either direction.
- 18 Capable of 100% thrust stated in downward direction (out of motor) and 40% upward thrust (into motor).
- 19 60/50 Hertz motor. 60 Hertz data shown, contact your local Baldor•Reliance office for 50 Hertz data.
- 20 Class F Insulation.
- 21 Double bolt.
- 22 Base used for NEMA & above NEMA frames, 445T.
- 23 Two piece slide rails.
- 24 DOL or Part Winding Start.
- 25 DOL or Wye Start, Delta Run
- 26 Non-standard "BA" due to drive end bearing cooling fan. Please refer to layout drawing.
- 27 Motors have ball bearing suitable for coupled loads. If load is belted, a roller bearing may be required, contact your local Baldor•Reliance office.
- 28 Usable at 200 volts.
- 29 V-dimension is 2.5".
- 30 Usable at 208 volts.
- 31 Suitable for 230/460, 60 Hz and 190-220/380-440 volts, 50 Hz.
- 32 Stearns brake.
- 33 Voltage at 60Hz.
- 34 Dodge D series brake.
- 35 Design A, also meets Design E inrush limits.
- 36 Can mount as 56, 143T & 145T frames with NEMA 56 shaft dimensions.
- 37 Can mount as 56, 143T & 145T frames with NEMA 143T-145T shaft dimensions.
- 38 Can mount as NEMA 56, 143T and 145T frames with NEMA 56 frame shaft dimensions.
- 39 Class F Rise
- 40 Brake motors may be mounted for vertical mounting with brake below motor.
- 41 Brake motors may be mounted for vertical mounting with brake above or below motor.
- 42 DODGE Short Series Brake.
- 43 Cannot be mounted vertically.
- 44 Shown as WPI enclosure.
- 45 Horizontal mount, no C-Face. May be converted to C-Face in Mod Express or built as custom motors.
- 46 Includes 1024 ppr encoder.
- 47 BA dimension does not meet NEMA standards.
- 48 Includes phase insulation. Suitable for inverter duty.
- 49 Includes vertical lifting provision.
- 50 Cast Iron 140 Frame.
- 51 BISSC Certified.
- 52 IP55 Enclosure.
- 53 Voltage at 50Hz.
- 54 Motors have NEMA standard BA dimensions.
- 55 Constant velocity fan: 115 volts, single phase.
- 57 Can mount as NEMA 145T frame with 145T frame shaft dimensions.
- 58 Can mount as NEMA 56, 143T and 145T frames with NEMA 143T-145T frame shaft dimensions.
- 59 Suitable for operation @ 415V, 50 Hz.
- 60 Totally-Enclosed, Non-Ventilated, Continuous Duty.
- 61 Copper bar rotor standard.
- 63 Foot also drilled for 447T frame mounting.
- 64 Motors include 100 ohm platinum winding RTDs and space heaters.
- 65 Capacitor start, capacitor run (two value capacitor).
- 66 Resilient mount single phase motors with moderate starting torque for fan applications.
- 67 Voltage at 50/60 Hz.
- 68 3 lead.
- 69 6 lead suitable for part winding start on 200 volts.
- 70 Constant velocity fan: 230/460 volts, three phase.
- 71 Nominal efficiency is based at the 1800 RPM (High RPM) and low speed efficiency is available just not published.
- 73 SCR Motors with a 3:1 constant torque speed range.
- 74 V-dimension is 3".
- 76 Flexible waterproof cover protects thermal overload reset button.
- 77 Inverter Duty.
- 78 Furnished without conduit box. Order Kit BKP2400.
- 80 Design criteria similar to motors in Commercial Duty Motors section.
- 81 5.5 inch frame – Aluminum end shield standard enclosure
- 82 6.3 inch frame – Aluminum end shield standard enclosure
- 84 Does not meet NEMA BA for C-face footed motors
- 85 Can only be used on motors 1800 RPM and slower with ball bearings
- 86 Cannot be operated at full nameplate rating on 50 Hz rectified power supply
- 87 Tach adaptable with Thermostat
- 88 Sleeve bearings - coupled loads only.
- 89 Cooling fan on each end.
- 90 Includes thermostat.
- 91 Blower on drive end.
- 92 Force vent with blower and filter. Full nameplate rating on 50 Hz rectified power, AC supply voltage must be same as 60 Hz supply.
- 93 Force vent with blower, full nameplate rating on 50 Hz rectified power. AC supply voltage must be same as 60 Hz supply, thermostats and tach provisions.
- 94 Force vent with blower, cannot run full nameplate on 50 Hz rectified power, thermostats and tach provisions.
- 95 Force vent with blower on drive end filter, thermostats and tach provisions.
- 106 Finned aluminum frame construction.

**EXPLOSION-PROOF MOTOR SYMBOLS:**

- ① Class I, Group D, T2C.
- ② Class I, Group C & D, Class II, Group F & G, T4.
- ③ Class I, Group D, Class II Group E, F & G, T3C
- ④ Class I, Group C & D, Class II, Group F & G, T3C
- ⑤ Class I, Group C & D, T3C.
- ⑥ Class I, Group D, T2A.
- ⑦ Class I, Group D, Class II, Group F & G, T4.
- ⑧ Class I, Group D, Class II, Group F & G, T3C.
- ⑨ Class I, Group D, T2B

### Table of Contents

#### General Information

Understanding 501 Catalog Numbers.....	5
General Notes .....	5
Abbreviations, Catalog Number Prefix/Suffix .....	6
UL and CSA Approvals.....	7

#### Premium Efficient Super-E® Motors

Three Phase, Totally Enclosed, Foot Mounted.....	8
Three Phase, Totally Enclosed, C-Face, Foot Mounted .....	11
Three Phase, Totally Enclosed, C-Face, Footless.....	12
Three Phase, Open Drip Proof, Foot Mounted .....	13
200 Volt, Three Phase, TEFC, Foot Mounted.....	15
200 Volt, Three Phase, ODP, Foot Mounted.....	16
575 Volt, Three Phase, TEFC.....	17
575 Volt, Three Phase, ODP, Foot Mounted.....	18
Severe Duty, Three Phase, 460 & 230/460 Volts, Foot Mounted .....	19
Severe Duty, Three Phase, 575 Volts, Foot Mounted.....	22
Severe Duty, Medium Voltage, Three Phase, 2300/4000 Volts .....	23
F-2 Mount, Three Phase, TEFC and ODP, Foot Mounted.....	24
Explosion Proof, Three Phase, Foot Mounted .....	25
Explosion Proof, Three Phase, Class I, Grp. D, Class II, Grp. E, F & G.....	26
Washdown Duty, Three Phase, Totally Enclosed .....	27
Super-E Stainless Steel, Three Phase, Totally Enclosed, C-Face.....	28
Close-Coupled Pump, Three Phase, TEFC and ODP, C-Face.....	29
Single Phase, ODP, Foot Mounted.....	31
Single Phase, TEFC, Foot Mounted .....	31

#### Single Phase Motors

Single Phase, TEFC, Foot Mounted .....	32
Single Phase, TEFC, C-Face, No Drip Cover .....	34
Single Phase, ODP, Foot Mounted.....	35
Single Phase, ODP, C-Face .....	37

#### General Purpose Industrial Motors

Three Phase, Totally Enclosed, Foot Mounted.....	38
Three Phase, Totally Enclosed, C-Face, Foot Mounted .....	45
Three Phase, Totally Enclosed, C-Face, Footless.....	48
Three Phase, Open Drip Proof, Foot Mounted .....	51
Medium Voltage, Three Phase, 2300/4000 Volts, WPI & WPIL .....	55
Three Phase, Open Drip Proof, C-Face, Foot Mounted.....	56
Three Phase, Open Drip Proof, C-Face, Footless.....	57

#### Severe Duty Motors

Three Phase, Totally Enclosed, 460 & 230/460 Volts.....	58
Super-E, Three Phase, TEFC, 575 Volts, Foot Mounted.....	63
Three Phase, Totally Enclosed, 460 & 230/460 Volts, C-Face .....	64
IEEE 841, Three Phase, Totally Enclosed, 460 Volts.....	66
IEEE 841, Three Phase, TEFC, 575 Volts, Foot Mounted .....	69
661XL / IEEE 841, Three Phase, TEFC, 460 Volts, Foot Mounted.....	71
Medium Voltage, Three Phase, 2300/4000 Volts, Foot Mounted.....	72
Quarry Duty Motors, Three Phase, TEFC, Design C, High Torque .....	73
Crusher Motors, Three Phase, TEFC, 460 Volt, Foot Mounted.....	74
Dirty Duty, Three Phase, TEFC, 230/460 575 Volts .....	75
Dirty Duty Washdown, Three Phase, 230/460 Volts, C-Face.....	76

#### Washdown Duty Motors

Single and Three Phase, Totally Enclosed .....	77
Brake Motor, Three Phase, Totally Enclosed, C-Face .....	80
Feather Picker Motor, Three Phase, TEFC .....	80
Paint-Free, Three Phase, Totally Enclosed, C-Face .....	81
Super-E Stainless Steel, Three Phase, Totally Enclosed, C-Face.....	82
Standard-E & Super-E Stainless Steel, Three Phase, Totally Enclosed, C-Face .....	83
SSE Stainless, Three Phase, Totally Enclosed, C-Face, 50Hz .....	84
Inverter Motor, Paint Free, Three Phase, Totally Enclosed, C-Face .....	85
Inverter Motor, Three Phase, TENV, C-Face, Foot Mounted .....	86
Vector Motor, Three Phase, TENV, C-Face, Foot Mounted.....	86

#### Explosion Proof Motors

Single and Three Phase, Foot Mounted .....	87
Single and Three Phase, C-Face, No Drip Cover .....	90
Single Phase, C-Face, 1.15 Service Factor, Foot Mounted .....	92
Three Phase, 1.15 Service Factor .....	92
Three Phase, Foot Mounted, Class I, Group D.....	95
Three Phase, Foot Mounted, Class I, Group D, Class II, Group E, F & G.....	96

#### Pump Motors

Jet Pump, Single Phase, TEFC and ODP.....	97
Jet Pump, Three Phase, TEFC, C-Face .....	98
Jet Pump, Three Phase, ODP.....	99
Explosion-Proof Jet Pump, Footless .....	100
Square Flange Pump, Three Phase, ODP .....	100
PSC - Switchless Design, Single Phase, Open .....	101
Close-Coupled Pump, Single Phase, TEFC and ODP .....	102
Close-Coupled Pump, Three Phase, TEFC and ODP, C-Face.....	103
Washdown Close-Coupled Pump, Three Phase, Totally Enclosed... 107	107
Close-Coupled Pump, Three Phase, Explosion Proof .....	107
P-Base Vertical Solid Shaft Pump, Three Phase, TEFC, 1.15 Service Factor .....	108
P-Base Vertical Solid Shaft Pump, Three Phase, ODP, 1.15 Service Factor .....	109
Submersible Motors, Single Phase, TENV.....	110
Submersible Motors, Three Phase, TENV .....	111

#### Commercial Motors

Jet Pump, Single Phase, Open .....	112
Jet Pump, Single Phase, TEFC.....	113
Two Compartment Jet Pump, Single Phase, Open .....	113
General Purpose, Single Phase, Open .....	114
HVAC Blower, Single and Three Phase, OPAO.....	115
Direct Drive Fan, Single and Three Phase, TEAO .....	116
Fan and Blower, Single Phase, Open .....	117
Incubator/Hatchery Vent Fan, Single Phase, TEAO .....	117
Condenser Fan, Single Phase, OPAO, TEAO, Round Body.....	118
Direct Drive, Indoor Blower, Single Phase, OPAO, Round Body .....	118
Yoke/Pedestal Fan, Single Phase, TEAO.....	119

General Information

Premium Efficient Super-E® Motors

Single Phase Motors

General Purpose Industrial Motors

Severe Duty Motors

Washdown Duty Motors

Explosion Proof Motors

Pump Motors

Commercial Motors

HVAC Motors



### Table of Contents

General Information

Premium Efficient Super-E® Motors

Single Phase Motors

General Purpose Industrial Motors

Severe Duty Motors

Washdown Duty Motors

Explosion Proof Motors

Pump Motors

Commercial Motors

HVAC Motors

2

#### HVAC Motors

Fan and Blower, Single and Three Phase, ODP, Resilient Base .....	120
Chiller/Cooling Tower, Three Phase, TEAO.....	121
Chiller/Cooling Tower, Three Phase, Two Speed, TEFC.....	122
Three Phase, ODP, Resilient Base.....	123
Super-E and Standard-E, Three Phase, ODP, Foot Mounted .....	124
Three Phase, ODP.....	126
HVAC Variable Torque, Three Phase, ODP.....	127
HVAC Variable Torque, Three Phase, TEFC.....	129
(PSC) - Direct Drive Fan, Single Phase, TEAO.....	131
Condenser Fan, Three Phase, ODP, "Belly Band" Round Body.....	131
Three Phase, TEAO, Foot Mounted .....	132

#### Farm Duty Motors

Single Phase, TEFC.....	133
Grain Dryer/Centrifugal Fan, Single and Three Phase, TEFC and ODP.....	134
Grain Dryer/Vane Axial Fan, Single and Three Phase, TEAO and OPAO .....	135
Universal Crop Dryer, Single Phase, PSC (switchless), TEAO and OPAO .....	136
Irrigation Tower Drive, Three Phase, TENV .....	136
Auger Drive, Single Phase, TEFC, Flange Mount, Capacitor Start ...	137
Grain Stirring, Single Phase, TEFC, Foot Mounted.....	137
Instant Reversing, Single Phase, TEFC, Foot Mounted .....	138
Aeration Fan, Single and Three Phase, TEAO, Foot Mounted .....	138
Dairy/Vacuum Pump, Single Phase, TEFC, Foot Mounted .....	139

#### Definite Purpose Motors

Three Phase, Two Speed, TEFC, Foot Mounted .....	140
Three Phase, Two Speed, ODP, Foot Mounted .....	142
Pressure Washer, Single Phase, TEFC and ODP.....	143
Metering Pump, Three Phase, TEFC, Foot Mounted.....	144
Arbor Saw, Three Phase, TEFC, Foot Mounted.....	144
Woodworking, Single Phase, TEFC .....	145
Pre-1952 NEMA, Single and Three Phase, Foot Mounted.....	145
SAE Hydraulic Pump Motors, Three Phase, Continuous Duty .....	146
F-2 Mount, Three Phase, TEFC and ODP, Foot Mounted.....	147
Automotive Approved, Three Phase, TEFC, Foot Mounted .....	148
Oil Field Pump, Three Phase, TEFC and ODP, Design D .....	149
Single and Three Phase, TENV, Foot or C-Face Mounting, Removable Base .....	150

#### Unit Handling Motors

Single and Three Phase, C-Face, TEFC.....	151
High Cycle Brake Motor, Three Phase .....	152
D-Series Brake Motor, Single Phase, TEFC.....	152
D-Series Brake Motor, Three Phase, Totally Enclosed .....	153
Short Series Brake Motor, Three Phase, TEFC.....	154
D-Series and SSB Fast Response Brake Kit .....	154

#### Brake Motors

Three Phase, Super-E Premium Efficient, TEFC .....	155
Single and Three Phase, TEFC, Foot Mounted .....	156
Single and Three Phase, TEFC, C-Face.....	157
Three Phase, ODP.....	158
Three Phase, Explosion Proof, C-Face.....	159
Three Phase, Totally Enclosed, C-Face, Foot Mounted .....	159

#### 200 & 575 Volt Motors

200 Volt, Three Phase, TEFC, Foot Mounted.....	160
200 Volt, Three Phase, ODP, Foot Mounted.....	161
575 Volt, Three Phase, TEFC, Foot Mounted.....	163
575 Volt, Three Phase, TEFC, C-Face .....	166
Premium Efficient, Severe Duty, 575 Volt, Three Phase, TEFC.....	168
IEEE 841, 575 Volts, Three Phase, Totally Enclosed.....	169
575 Volt, Three Phase, C-Face, Washdown, Totally Enclosed .....	171
575 Volt, Three Phase, ODP, Foot Mounted.....	172
575 Volt, Three Phase, Close-Coupled Pump, TEFC and ODP, C-Face .....	173
575 Volt, Three Phase, Explosion Proof .....	174

#### IEC Frame Motors

Metric IEC Frame Motors, Three Phase, 60 Hz, 230/460 Volts.....	175
Metric IEC Frame Motors, Three Phase, 60 Hz, 575 Volts.....	176
Metric IEC Frame Motors, Three Phase, 60 Hz .....	177
Super-E, Metric IEC Motors, Three Phase, 50 Hz, 230/400 & 400 Volts.....	178
Metric-E, IEC Motors, Three Phase, 50 Hz, 230/400 & 400 Volts....	179
Three Phase, 60 Hz, TEFC (IP54), Foot Mounted (IEC-B3).....	180
Three Phase, 60 Hz, TEFC (IP54), Flange (IEC-B5) .....	181
Three Phase, 60 Hz, TEFC (IP54), B14 Face (IEC B14) .....	182
SSE Stainless, Three Phase, Totally Enclosed, C-Face, 50Hz .....	183
Three Phase, 50 Hz, TEFC (IP54), B3 Face (IEC B5, B14).....	184

#### 50 Hertz Motors

Single Phase, NEMA Frame, TEFC and ODP, Foot Mounted.....	185
Three Phase, NEMA Frame, TEFC and ODP, Foot Mounted .....	186
Single and Three Phase, NEMA Frame, TEFC, C-Face, Footless ....	187
Single and Three Phase, NEMA Frame, Explosion Proof, C-Face....	188

#### Inverter/Vector Motors & Controls

AC Motor Adjustable Speed Range Capabilities .....	189
RPM AC, Salient Pole PM Rotor, Three Phase, TEBC.....	190
VS1PM Permanent Magnet Drive .....	191
RPM AC, Inverter Duty, Three Phase .....	193
RPM AC, Vector Duty, Three Phase, Totally Enclosed .....	195
Encoder Feedback Kits .....	196
V*S Master Inverter Drive, Three Phase, Totally Enclosed.....	200
V*S Master Vector Drive, Three Phase, Totally Enclosed .....	201
V*S Master Severe Duty Vector Drive, Three Phase, Totally Enclosed.....	202
Inverter, Three Phase, TEBC and TENV, C-Face, Foot Mounted.....	203
Inverter Motor, Paint Free, Three Phase, Totally Enclosed, C-Face ..	205
Inverter, Explosion Proof, Three Phase, TEFC, Class I, Group D.....	206
Vector, Three Phase, TEBC and TENV, C-Face .....	207
Inverter Motor, Three Phase, TENV, C-Face, Foot Mounted .....	208
Vector Motor, Three Phase, TENV, C-Face, Foot Mounted.....	208
Vector, Elevator Duty, Three Phase, ODP .....	209
Inverter Gear Motor - Right Angle and Parallel Shaft -TEFC .....	209
Feedback Cable Assembly with MS Connector .....	210
Encoder Feedback Kits for IDM, IDNM and IDWNM Motors .....	210
Constant Velocity Blower Cooling Conversion Kits.....	211
BSM-Series Brushless Motors with Hall Feedback.....	212
BMC-Series Adjustable Speed Brushless Control .....	212
Baldor V*S Drives Selection Chart.....	213
VS1ST AC Micro Drive.....	214

### Table of Contents

#### Inverter/Vector Motors & Controls continued...

VS1SM AC Micro Drive.....	217
VS1MD AC Micro Drive .....	219
VS1MX AC Micro Drive.....	223
VS1PF Pump and Fan AC Drive.....	228
VS1PF Pump and Fan Bypass AC Drive .....	230
VS1SP Inverter/Encoderless Vector Drive .....	233
VS1GV Vector Drive.....	237
VS1GV Closed Loop Vector NEMA 1 Enclosure.....	238
VS1GV Closed Loop Vector NEMA 4 Washdown Enclosure .....	240
VS1SP / VS1GV Keypad Extension Cable .....	241
VS1SP / VS1GV Dynamic Braking Resistor Assemblies.....	241
VS1SP / VS1GV Expansion Boards .....	242
Baldor and Reliance AC Drives Selection Chart .....	243
Series 5 Micro Inverters .....	244
Series 15H Inverter .....	246
Series 18H Vector Drive.....	248
Series 22H Line Regenerative Vector Drive .....	250
Series 15H and 18H Dynamic Braking Transistor Assemblies .....	252
Series 15H and 18H Dynamic Braking Resistor Assemblies.....	252
Series 15H, 18H, 19H, 20H and 22H Expansion/Accessory Boards .....	253
SP500 General Purpose AC Drive .....	255
Mains Filter.....	257
Low Energy Snubber Braking Kit .....	257
GV3000 Vector Drive .....	258
Three Phase - Line and Load Reactors.....	263
Remote Operator Control Stations.....	265
Digital Speed Potentiometer with Display.....	266
Field Programmable Digital Tachometer .....	266

#### DC Motors and Controls

Subfractional Permanent Magnet DC Motor .....	267
SCR Drive Permanent Magnet Motor.....	267
Integral DC Tach Permanent Magnet SCR Drive Motor .....	268
Explosion Proof Permanent Magnet SCR Drive Motor.....	268
Washdown Duty Permanent Magnet SCR Drive Motor .....	269
Paint Free Washdown Duty Permanent Magnet SCR Drive Motor...269	
Metric Flange Permanent Magnet SCR Drive Motor.....	270
Low Voltage Permanent Magnet Motor.....	271
DC Power Motor .....	271
Shunt Wound SCR Drive Motors .....	272
RPM III DC Shunt Wound SCR Drive Motors, 180V Armature.....	273
RPM III DC Shunt Wound SCR Drive Motors, 240V Armature.....	273
RPM III DC Shunt Wound SCR Drive TEFC Motors, 240V & 500V Armature.....	274
RPM III Wound Field SCR Drive DPG-FV Motors, 240V & 500V Armature.....	275
RPM III Wound Field SCR Drive DPG Motors, 240V & 500V Armature.....	276
RPM III DC Motor Accessories and Kits.....	277
SCR Drive Motor, Shunt and Stabilized Shunt Wound DPFPG .....	279
SCR Drive Motor, Shunt and Stabilized Shunt Wound DPBV .....	280
SCR Drive Motor, 240V Armature .....	280
Shunt Wound SCR Drive Motor .....	281
Lifting Magnet Generators .....	281

#### DC Motors and Controls continued...

Tach Mounting Kits/Cooling Blowers for DC Integral Hp Motors.....	282
Tach Generators DC, AC and Digital Output .....	283
Field Conversion Tach Mounting Kits for Permanent Magnet and Shunt Wound Motor.....	284
DC Drives Selection Chart .....	285
Fractional Horsepower DC Speed Controls for PMDC Motors .....	286
NEMA 1 Enclosed DC Controls for PMDC and Shunt Wound Motors.....	286
DC Control Accessories.....	286
Chassis Mount DC Controls .....	287
Resistor and Fuse Kit.....	287
NEMA 4X DC Control and Accessories.....	288
Line Regenerative DC Controls and Accessories .....	289
NEMA Enclosed DC Control Specifications.....	290
Chassis Mount DC Control Specifications.....	291
DC2 DC Drives for 1/4 thru 2 Hp PMDC and Shunt Wound Motors.....	292
DC2 Accessories.....	293
DC3 DC Drives Fractional to 2HP for Non-Regen .....	294
DC3N Non-Regenerative DC Drives.....	295
DC3N Non-Regenerative DC Drives.....	296
DC3R Regenerative DC Drives .....	297
Series 19H Digital DC Controls .....	299
Series 20H Line Regenerative Digital DC Controls.....	301
FlexPak 3000 Digital DC Drives.....	303
FlexPak 3000 Power Module Style Drives .....	311
FlexPak 3000 Drive Options.....	312
Digital Speed Potentiometer .....	322
Field Programmable Digital Tachometer .....	322
Hall Effect Pickup .....	323
Digital DC Controls .....	324

#### Soft Starters and Dynamic Brakes

Digital Soft Start Controls.....	325
Digital Soft Start Controls, Dimensions and Accessories.....	327
Multipurpose Soft Start.....	328
Multipurpose Solid State Soft Start .....	329
Single Phase Starter .....	329
Definite Purpose Soft Start .....	330
Three Phase Torque Control .....	330
Multipurpose Dynamic Brake.....	331
Single Phase Electronic Motor Brake .....	332

#### Gearmotors & Gear Products

Right Angle AC Gearmotors.....	333
FTA Style.....	333
BB and BA Style.....	334
DB Style.....	335
EB Style .....	336
G Style .....	337
KA Style .....	338
CB Style.....	339
JH Style.....	340
H Style and H Gearbox Accessories .....	341

General Information

Premium Efficient Super-E® Motors

Single Phase Motors

General Purpose Industrial Motors

Severe Duty Motors

Washdown Duty Motors

Explosion Proof Motors

Pump Motors

Commercial Motors

HVAC Motors

### Table of Contents

General Information

Premium Efficient Super-E® Motors

Single Phase Motors

General Purpose Industrial Motors

Severe Duty Motors

Washdown Duty Motors

Explosion Proof Motors

Pump Motors

Commercial Motors

HVAC Motors

#### Gearmotors & Gear Products continued...

<b>Right Angle DC Gearmotors</b> .....	<b>342</b>
FTA Style .....	342
GNA Style .....	343
BA Style .....	344
DA Style .....	345
EB Style .....	346
G Style .....	347
K Style .....	348
CB Style .....	349
JK Style .....	350
JAF Style .....	351
<b>Parallel Shaft AC Gearmotors</b> .....	<b>352</b>
PSSH Style .....	352
PSM Style and PSM Mounting Adapters .....	353
PSL Style .....	354
"L" Type Mounting Brackets .....	355
<b>Parallel Shaft DC Gearmotors</b> .....	<b>356</b>
PSSH Style .....	356
PSM Style .....	357
PSL Style .....	358
<b>Speed Reducers</b> .....	<b>360</b>
900 Series – Right Angle – Quill Type Solid Shaft .....	360
900 Series – Right Angle – Quill Type Hollow Shaft .....	365
Stainless Steel – Right Angle – Quill Type Solid Shaft .....	366
Stainless Steel – Right Angle – Quill Type Hollow Shaft .....	367
Washdown – Right Angle – Quill Type Solid Shaft .....	368
900 Series – Right Angle – Coupling Type – Solid Shaft .....	369
900 Series – Right Angle – Solid Shaft .....	371
1/4 Horsepower Stock Gear-Motors .....	372
1/3 Horsepower Stock Gear-Motors .....	373
1/2 Horsepower Stock Gear-Motors .....	374
3/4 Horsepower Stock Gear-Motors .....	375
1 Horsepower Stock Gear-Motors .....	376
1-1/2 Horsepower Stock Gear-Motors .....	377
2 Horsepower Stock Gear-Motors .....	378
Universal Series – Right Angle – Quill Type – Solid Shaft .....	379
Inline Helical .....	381
Ratio Multiplier – Inline – Quill Type Solid Shaft .....	382
900 Series – Right Angle Base Kits .....	383
Universal Series – Right Angle Base Kits .....	383
Flange, Riser Block and Torque Arm Kits .....	384
Flange, Bushing and Double Reduction Adapter Kits .....	385

#### Motor Accessories

NEMA AC Motor C-Face Kits for Field Conversion .....	386
NEMA DC Motor C-Face Kit for Field Conversion .....	388
Drip Cover and Fan Cover/Conduit Box For Field Conversion .....	390
Gear Motor Accessories .....	391
Adjustable Motor Bases .....	392
Adjustable Motor Bases Dimension Diagrams .....	393
Conversion Bases Dimension Diagrams .....	394
Metric Weld On Bases Dimension Diagrams .....	395
Conduit Box Kits .....	396
Encoder Mounting Kits .....	397

#### Grinders

Industrial Grinders .....	398
Industrial Abrasive Belt Sanders .....	402
Industrial Buffers .....	402
Big Red Grinders .....	403
Grinder Accessories .....	404
Grinder Wheels .....	405
Polishing Lathes and Chucks .....	406
Dust Collector Bags .....	406

#### Generators

Premier Portable .....	407
Powerchief® Portable with Inverter Technology .....	409
Diesel Portable .....	411
Generator Accessories .....	411

#### Servo

Servo Motors & Controls .....	413
-------------------------------	-----

#### Mod Express

Mod Express .....	414
-------------------	-----

#### Baldor Education Workshops

Registration Form .....	448
Class Descriptions .....	450

#### Warranties and Sales Policies

Warranties .....	453
UL & CSA Explosion-Proof Classifications .....	454

#### Cross Reference & Index

Reliance/Baldor Cross-Reference .....	455
Catalog Index .....	459

#### Baldor Sales Offices

Baldor District Offices .....	543
-------------------------------	-----

**Pricing and Data subject to change without notice.**

### Understanding 501 Catalog Numbers

#### Functionally Equivalent Alternatives

Catalog Numbers shown with an indented Reliance M/N immediately below identify functionally equivalent products. Both numbers will be stocked. While these motors have the same mounting dimensions and similar performance, there may be some slight differences such as "C" dimension, weight, amps, etc. If one motor is not available, consider the functionally equivalent as an alternative. As product consolidation occurs, functionally equivalent motors may not be available as stock items.

Hp	RPM	NEMA Frame	Enclosure	Catalog Number	List Price	Mult. Sym.	"C" Dim.	Aprx. Wt. (lb)	Full Load Efficiency	Voltage	Full Load Amps	Notes (a)
5	3600	184T	TEFC	EM3613T	754	L1	16.55	77	90.2	230/460	5.6	1,30
		184T	TEFC	EM3663T	1,040	L1	15.24	99	90.2	230/460	5.7	1,30,48
		184T	TEFC	P18G7405	1,040	L1	15.62	115	88.5	230/460	6	
	1800	184T	TEFC	EM3615T	717	LS	18.05	95	90.2	230/460	6.5	1,30
		184T	TEFC	EM3665T	870	L1	15.24	114	90.2	230/460	6.5	1,30
		L184T	TEFC	P18G7403	870	L1	15.24	114	90.2	230/460	6.5	1,30
		L184T	TEFC	EM3708T	1,175	L1	17.00	130	90.2	230/460	6.5	1,30

Green catalog numbers represent motors that meet or exceed NEMA Premium® Efficiency.

#### 501 Catalog Notes

- Most steel band and cast iron foot-mounted motors have dual mounting holes (143T-145T, 182T-184T, etc.). Cast iron Athens-built 447 and 449 frame motors in M, ECP and ECP841 product families have single foot mounting holes.
- All Cast iron motors are built with symmetrical frames which may be converted from F1 to F2 by switching endplates and rotor from end-to-end except for L182T, L184T, L213T, L215T and L449T. Frames with the "L" prefix have standard NEMA base and BA dimensions. Also applies to TC versions of these frame sizes.
- ECP, ECP841 and ECP661 motors are now painted "Reliance" green with epoxy paint.

**Authorized Service Centers and Service Policy** — Refer to Baldor's website ([www.baldor.com](http://www.baldor.com)) for a complete listing of service centers and our service/repair policy.

**Dimensions** — Refer to Baldor's website: ([www.baldor.com](http://www.baldor.com)) for dimensions for all stock AC and DC motor ratings.

**Efficiencies** — All efficiencies listed are nominal efficiencies at full load.

**Full Load Amps - FLA** — For low voltage amps, double high voltage amps shown.

**Modified Motors** — Details of Baldor's Mod Express Program are listed in this catalog. Using stock motors, Baldor can modify motors to fit a variety of applications in only 2 to 5 working days for most modifications.

**Performance and connection diagrams** — Baldor's website ([www.baldor.com](http://www.baldor.com)) lists performance test data and connection diagrams for all stock AC and DC motor ratings.

**Renewal Parts and Installation - Maintenance Data** — A parts list for each motor is shown online at [www.baldor.com](http://www.baldor.com). Data Section 506 contains a wide variety of the most commonly required service parts. AC (MN400) and DC (MN605) motor installation and maintenance data are also available.

**SCR Drive Motors** — Field Amps listed are for High Voltage Connections with motor at operating temperature.

**Service Factor** — NEMA T-frames in TEFC construction have a service factor of 1.15 or greater except where noted. All NEMA U- frame TEFC motors (except explosion-proof) have NEMA open service factors. Fractional horsepower TEFC motors have NEMA open service factors. All DC motors have 1.0 service factors.

**Freight Policy** — Shipments of stock products shown in this catalog are made with the selling terms of F.O.B. factory or warehouse. International Shipments - Ex Works, Non-stock items - FOB Factory. Baldor will prepay and absorb freight charges, on a carrier chosen by Baldor, to the first destination in the continental United States on shipments of 1500 pounds (1000 pounds on portable generators) or more.

Contact your local Baldor•Reliance District office for clarification, assistance or additional information on any Baldor•Reliance product. A listing of the offices is on page 543.

General Information

Premium Efficient Super-E® Motors

Single Phase Motors

General Purpose Industrial Motors

Severe Duty Motors

Washdown Duty Motors

Explosion Proof Motors

Pump Motors

Commercial Motors

HVAC Motors



**Abbreviations:** The Basic Baldor catalog number consists of a letter(s) prefix and several non-significant preceding numbers. A suffix letter(s) and/or number(s) may also be part of the catalog number. For example L3510 or L3510T. Following is a list of prefix and suffix definitions.

### Catalog Number Prefix:

<b>Super-E® Motors</b>	AEM Automotive Motor (GM7EHQ)	GS Grain Stirring Motor
	AF Aeration Fan Motor	H Definite Purpose HVAC Motors
	AM Automotive (Motor GM7EQ)	H3 HVAC Duty with Connection Box located on top of Motor
	ANF Auger Flange Motor	HP Hydraulic Pump Motor
	AO Air-Over Motor	ID Inverter Control
	AP Subfractional HP, PM Motor	IDM Inverter Drive Motor-TEBC
	AS Arbor Saw Motor	IDNM Inverter Drive Motor-TENV
	B Brake Motor	IDWNM Washdown Inverter Motors-TENV
<b>Single Phase Motors</b>	BC DC Motor Speed Control	IDXM Explosion proof Inverter Drive Motors-TEFC
	BK Single Phase Gearmotor Kit	IM Irrigation Drive Motor
	BLW Blower Kit	IR Instant Reversing Single Phase Farm Motor
	BMC Brushless DC Motor Control	J NEMA 56J Stainless Steel
	BSM Brushless Servo Motors	JM NEMA JM Pump shaft & Face with Base
	BTG Tachometer Generator	JP NEMA JP Pump shaft & Face with Base
	BU Bushing Kit	JSL Square Flange Pump Motors with threaded shaft.
<b>General Purpose Industrial Motors</b>	C NEMA C-Face with Base	K Model 34 Diameter Motor with 56 C-Face, less Base
	CBL Cable Assembly	KN Model 34 Diameter TENV Motor with 56 C-Face, less Base
	CD Wound Field DC Motor	L Single Phase
	CDP PM SCR Drive Motor	LRA Line Reactor
	CDPT PM SCR Drive Motor with Integral Tachometer	M Three Phase
	CDPWD Washdown PM SCR Drive Motor, NEMA C-Face	M Multipurpose Soft Start Control
<b>Severe Duty Motors</b>	CDPSWD PM Paint Free Washdown SCR Drive Motor C-Face with base	MM Metric Dimension Motor with Base
	CDPX PM Explosion Proof SCR Drive Motor - C-Face with base	MPM Three Phase Metering Pump
	CDX Wound Field Explosion Proof DC Motor, NEMA C-Face	MVM Metric Dimension Motor, Flange Mount less Base
	CESWDM Paint Free Super-E Washdown - C-Face with base	N Totally Enclosed Non ventilated
	CF Condenser Fan Motor	OF Design D, High Slip Motor (Oil Field)
	CHC Direct Drive Fan Motor with Resilient Base	P15 Pre-Engineered Control Panel
	CP Severe Duty Motor	PSC Permanent Split Capacitor
	CR Crusher Motor	R Repulsion-Start, Induction-Run Motor
	CSC Checkout Stand Motor	RBT Roller Bearing Conversion Kit
	CSM Baldor SmartMotor	RES Resolver Feedback Kit
	CSSEWDM All Stainless Super-E Washdown-C-Face with base	RG Regeneration Resistor Assembly
	CSSWDM All Stainless Washdown - C-Face with base	RH Definite Purpose HVAC Motors
	CSWDM Paint Free Washdown - C-Face with base	RL&RM Resilient Base(Cradle Mount)
	CWAM Dirty Duty Washdown - C-Face with base	RT Dynamic Braking Resistor Assembly
	CWDSM Baldor Washdown SmartMotor	S Single Phase Soft Start
<b>Explosion Proof Motors</b>	D DC Shunt or Compound Motor or Definite Purpose Soft Start Control	SD Series 23H Servo Control
	DE Vacuum Pump Motor	SS All Stainless Washdown Duty
	DG Gate Operator Motor	SWD Stainless Washdown Duty
	DMG Lifting Magnet Generator	T Torque Control
	DOC Door Operator Motor	TA Torque Arm
	DR Double Reduction	TM Definite Purpose HVAC Motors with Terminal Panel Endplate
	E Super-E Premium Efficiency	TK Tachometer Mounting Kit
	EH3 Above - EPAct Efficiency	UC Universal Crop Dryer Motor
	HVAC Duty with Connection Box located on top of Motor	V NEMA C-Face less Base
<b>Pump Motors</b>	ECP Super-E Premium Efficiency, Severe Duty Motor	VH Vertical Pump Motor, Normal Thrust
	EN Encoder Kit	VJM NEMA JM Pump Shaft and Face less Base
	FM F-2 Mount Motor	VLCP Vertical Pump Motor, Medium Thrust
	FCD Drip Cover Kit	VP PM SCR Drive Motor with Metric Face or Flange
	FD Farm Duty Motor	VPCP Vertical Pump Motor, High Thrust
	FFC Fan Cover/Conduit Box Kit	WC West Coast Fit NEMA TCZ
	FL Flange Kit	WD Washdown Duty
	G Subfractional HP Gear Motor	WW Woodworking Motor
	GC Permanent Split Capacitor and Split Phase	ZD Vector Control
	GCP Permanent Split Capacitor and Split Phase Parallel Shaft Gearmotor	ZDM Vector Drive Motor-TEBC
	GD Centrifugal Fan Motor	ZDNM Vector Drive Motor-TENV
	GF 900 Series Reducers	ZDWNM Washdown Vector Motors-TENV
	GP Subfractional HP PM Motor	
	GPP PM Parallel Shaft Gear Motor	
<b>HVAC Motors</b>	GSF Universal Series Right Angle Gear Reducers	

### Catalog Number Suffix:

-2	120/240V Field
-277	277 Volt Winding
-4	460 Volt Winding
-5	575 Volt Winding
-8	200 Volt Winding
-9	NEMA Design C High Torque Winding
-12	12 Leads
/35	Full 140 Frame Band Diameter
/36	Full 180 Frame Band Diameter
-50	Wound for 50 Hertz Service
-2341	2300/4160 Volt Winding
A	Automatic Thermal Overload
BV	Blower Vented
-C	Listing includes Class I, Group C
-CL	Open Chassis Enclosure, Line Regenerative
-CO	Open Chassis Enclosure, no internal braking
E	Electric Switch
-E	NEMA 1 Enclosure, built in Dynamic Braking
-EL	NEMA 1 Enclosure, Line Regenerative
-EO	NEMA 1 Enclosure, no internal braking
-ER	NEMA 1 Enclosure, built in Dynamic Braking Transistor
-I	Explosion-Proof, 1.15 Service Factor
M	Manual Thermal Overload
-MO	Protected Chassis Enclosure, no internal braking
P	Wound Field DC Motor NEMA "AT" Frame
-P	Partial AC Motor Excludes
R-	Roller Bearing
T	NEMA "T" Frame Dimension
TP	Feather Picker Motor
TR	NEMA "T" Frame-Roller Bearing
TS	NEMA "TS" Frame Short Shaft
	Pulley Endplate
-V12	12 Volt DC
-V24	24 Volt DC
-W	NEMA 4 Enclosure
-WR	Washdown Rating

### Gear Reducer Suffix: 900 Series

A	56C Motor Flange
B	140TC Motor Flange
C	180TC Motor Flange
G	Left Hand Output Shaft
H	Double End Output Shaft
J	Right Hand Output Shaft

### Gear Reducer Suffix: Universal Series

A	56C or Right Hand Output Shaft
B	140TC
C	180TC

### Grinder Catalog Number Suffix:

D	Deluxe
E	Exhaust Guards
W	Wide Design

### Other Abbreviations:

C	Permanent Split Capacitor
L	Capacitor-Start, Induction-Run Motor
LC	Capacitor-Start, Capacitor-Run Motor
S	Split Phase
X	Explosion-Proof

## Approvals UL and CSA

### Approvals for AC Motors, Explosion Proof, and DC Motors:

Frame	Hp	Comments		
42-449	—	UL Recognition for NEMA frames	E46145	
180-449	—	UL Recognition for NEMA frames	E54825	
42-184	Subfractional motor and gearmotors	UL Recognition for DC frames	E46145	
48-4013AT	—	UL Recognition for DC frames	E54825	
L180-DL2814	—	UL Recognition for AC frames	E54825	
440 & 5800	—	UL Recognition for AC frames	E54825	
42-449	—	CSA Certification for NEMA frames	LR2262	
180-449	600 max.	CSA Certification for NEMA frames	LR7861	LR40567
42-184	Fractional and Integral	CSA Certification for DC frames	LR2262	
42-184	Integral Wound Field Build in Ft. Mill	CSA Certification for DC frames	LR36841-5	
48-4013AT	5-500	CSA Certification for DC frames	LR40567	
L180-DL2814	32-1000	CSA Certification for AC frames	LR40567	
7MG-80MG	15-150	CSA Certification for MG Sets	LR40567	
C4412-B1610	100-3000	CSA Certification for DC frames	LR52580	
447T-7111	500-1500	CSA Certification for AC frames	LR52580	
5000-5800	900(2P),800(4P),700(6P)4160Vmax	CSA Certification for AC frames	LR36841-7	
5800-1000	1000-15000	CSA Certification for AC frames	LR6451	
447T-7111	500-1500	CSA Certification for Finned AC frames	LR52580	
5800-1000	1000-15000	CSA Certification for 05800 AC frames	LR6451	

Legacy Baldor Product Designs

Legacy Reliance Product Designs

### EPA Compliance Certification: CC 010A and CC 049A

**DC Tachometers** — XPY tachometers are UL recognized, file number E109527 and CSA listed file number LR36841-5.

**DC SCR Controls and Accessories** — Controls with catalog numbers BC138, BC139, BC140, BC140-FBR, BC141, BC142, BC155, BC154, BCWD140, BC160, BC200, BC201, BC202, BC203 and BC204 and accessories BC24-LF, BC145, BC146, BC147, BC151, BC211 and BC212 are UL listed for US and Canada, UL file number E114039. BC153 is UL component recognized for US and Canada. BC254, BC354, BC214, BC215, BC216, BC217, BC218, BC245, BC253, BC258, BC259, DSP4-120, DSP4-240, DTM8000-120, DTM8000-240, HPU10, RK60-56 and RK60-145 are pending – contact Baldor for status. Larger SCR controls Series 19H and 20H are UL and cUL Listed, UL file number E128059. SCR controls Series 29D and 30D are UL and cUL listed, UL file E128059. Reliance DC are Drives UL/cUL Listed, file number E59092.

**AC Inverter and Vector Controls** — Baldor and Baldor V\*S Drives are UL/cUL Listed, file number E128059. Reliance Drives are UL/cUL Listed, file number E59092.

**AC Soft Starters** — All units are CUL listed, file number E114039 except catalog item S25CA.

General Information

Premium Efficient Super-E® Motors

Single Phase Motors

General Purpose Industrial Motors

Severe Duty Motors

Washdown Duty Motors

Explosion Proof Motors

Pump Motors

Commercial Motors

HVAC Motors

## Three Phase, Totally Enclosed, Foot Mounted

### 1/2 thru 200 Hp

### NEMA 56 thru 447T

**Applications:** Energy saving applications where continuous operation is required. Suitable for use with inverter drives for variable torque and constant torque ratings as shown on page 189. NEMA Premium® efficiency, Inverter Ready per NEMA standard MG1 Part 31.4.4.2.

**Features:** Super-E® / XE motors have Class F insulation, 1.15 service factor, low-loss electrical grade lamination steel, NEMA Premium® efficiency and 3 year warranty.



Hp	RPM	NEMA Frame	Enclosure	Catalog Number	List Price	Mult. Sym.	"C" Dim.	Aprx. Wt. (lb)	Full Load Efficiency	Voltage	Full Load Amps	Notes (a)	
1/2	1800	56	TEFC	EM3538	485	K	11.24	10	82.5	230/460	0.8	1	
	3600	56	TEFC	EM3545	539	K	12.25	33	84	230/460	1.4	1,30	
1	1800	56	TEFC	EM3546	542	K	13.23	36	86.5	208-230/460	1.4	1	
		143T	TEFC	EM3546T	594	LS	13.31	37	86.5	230/460	1.4	1,30	
		143T	TEFC	EM3581T	769	L1	12.53	54	87.5	230/460	1.5	1,30	
	1200	56	TEFC	EM3556	707	K	13.23	39	82.5	208-230/460	1.8	1	
		145T	TEFC	EM3582T	861	L1	12.55	56	82.5	230/460	1.8	1,30	
		56	TEFC	EM3550	571	K	13.25	41	85.5	208-230/460	2	1	
1 1/2	3600	143T	TEFC	EM3550T	611	L1	13.31	41	85.5	208-230/460	2	1	
		143T	TEFC	EM3583T	812	L1	12.55	48	85.5	208-230/460	2	1	
		56	TEFC	EM3554	602	K	14.10	42	88.5	208-230/460	2.1	1	
	1800	145T	TEFC	EM3554T	617	LS	14.19	42	88.5	208-230/460	2.1	1	
		145T	TEFC	EM3584T	797	L1	12.53	57	88.5	230/460	2.1	1,30	
		182T	TEFC	EM3667T	1,025	L1	15.24	96	87.5	208-230/460	2.6	1	
	1200	182T	TEFC	↔P18G7400	1,025	L1	14.43	113	87	230/460	2.4	30	
		56	TEFC	EM3555	628	K	14.12	48	86.5	208-230/460	2.5	1	
	2	3600	145T	TEFC	EM3555T	669	L1	14.19	49	86.5	208-230/460	2.5	1
			145T	TEFC	EM3586T	854	L1	12.55	60	86.5	208-230/460	2.5	1
56			TEFC	EM3558	638	K	14.10	46	86.5	208-230/460	2.7	1	
1800		145T	TEFC	EM3558T	640	LS	14.19	49	86.5	208-230/460	2.7	1	
		145T	TEFC	EM3587T	835	L1	12.53	60	88.5	230/460	2.7	1,30	
		184T	TEFC	EM3664T	1,041	L1	15.24	109	88.5	208-230/460	3.5	1	
1200		L184T	TEFC	↔P18G7401	1,041	L1	15.42	125	88.5	230/460	3	30	
		182T	TEFC	EM3610T	742	L1	16.55	66	89.5	230/460	3.5	1,30	
3		3600	182T	TEFC	EM3660T	922	L1	15.24	85	89.5	230/460	3.5	1,30
			182T	TEFC	↔P18G7404	922	L1	15.62	107	88.5	230/460	3.6	30
			182T	TEFC	EM3611T	707	LS	16.55	69	89.5	208-230/460	4.1	1
		1800	182T	TEFC	EM3661T	948	L1	15.24	92	89.5	230/460	4	1,30
	L182T		TEFC	↔P18G7402	948	L1	17.12	125	89.5	230/460	4.2	30	
	L182T		TEFC	P18G3434	948	L1	17.12	120	89.5	230/460	4.2	30	
	213T		TEFC	EM3704T	1,135	L1	19.02	125	90.2	230/460	4.5	1,30	
	1200	213T	TEFC	EM3764T	1,297	L1	18.45	175	90.2	230/460	4.5	1,30	
		213T	TEFC	↔P21G7400	1,297	L1	17.94	168	90	230/460	4.3		
		184T	TEFC	EM3613T	823	L1	16.55	77	90.2	230/460	5.6	1,30	
	5	3600	184T	TEFC	EM3663T	1,135	L1	15.24	99	90.2	230/460	5.7	1,30,48
			184T	TEFC	↔P18G7405	1,135	L1	15.62	188	88.5	230/460	6	
			184T	TEFC	EM3615T	774	LS	18.05	95	90.2	230/460	6.5	1,30
		1800	184T	TEFC	EM3665T	949	L1	15.24	114	90.2	230/460	6.5	1,30
L184T			TEFC	↔P18G7403	949	L1	17.12	132	89.5	230/460	6.6		
215T			TEFC	EM3708T	1,282	L1	19.77	138	90.2	230/460	7.2	1,30	
1200		215T	TEFC	EM3768T	1,505	L1	18.45	193	90.2	230/460	7.3	1,30	
		215T	TEFC	↔P21G7401	1,505	L1	20.12	185	89.5	230/460	6.8		

(a) See notes on inside back flap and pages 5-6.

Custom TEFC motors available through 2,250 Hp; Open and WPIL custom motors through 15,000 Hp. Contact your Baldor•Reliance Sales Representative.

↔ = Functional Equivalent

■ Cast Iron Frame

Three Phase, Totally Enclosed, Foot Mounted

Hp	RPM	NEMA Frame	Enclosure	Catalog Number	List Price	Mult. Sym.	"C" Dim.	Aprx. Wt. (lb)	Full Load Efficiency	Voltage	Full Load Amps	Notes (a)
7 1/2	3600	213T	TEFC	EM3709T	1,233	L1	17.89	126	91	230/460	8.9	1,30
		213T	TEFC	EM3769T	1,314	L1	18.45	165	91	230/460	8.6	1,30,48
		213T	TEFC	↪P21G7404	1,314	L1	19.25	168	90.2	230/460	8.6	
	1800	213T	TEFC	EM3710T	1,116	LS	19.02	136	91.7	230/460	9.4	1,30
		213T	TEFC	EM3770T	1,266	L1	18.45	170	91.7	230/460	9.5	1,30
		L213T	TEFC	↪P21G7402	1,266	L1	20.12	183	91.7	230/460	9.4	
1200	254T	TEFC	EM2276T	2,146	L1	23.16	298	91.7	230/460	10.7	2,30	
10	3600	215T	TEFC	EM3711T	1,250	L1	19.02	154	91.7	230/460	11.2	1,30
		215T	TEFC	EM3771T	1,540	L1	18.45	185	91.7	230/460	11.2	1,30
		215T	TEFC	↪P21G7405	1,540	L1	19.25	174	91	230/460	11.1	
	1800	215T	TEFC	EM3774T	1,420	L1	18.45	231	92.4	230/460	12.5	1,30
		L215T	TEFC	↪P21G7403	1,420	L1	20.12	197	91.7	230/460	12.3	
	1200	256T	TEFC	EM2332T	2,450	L1	23.16	282	91.7	230/460	14.2	1,30
15	3600	254T	TEFC	EM2394T	2,122	L1	23.16	270	91.7	230/460	17.2	1,30
		254T	TEFC	↪P25G7404	2,122	L1	24.56	327	91.7	230/460	16.8	
	1800	254T	TEFC	EM2333T	1,942	LS	23.16	255	92.4	230/460	18.5	1,30
		254T	TEFC	↪P25G7402	1,942	LS	24.56	302	92.4	230/460	18.1	
	1200	284T	TEFC	EM4100T	3,268	L1	27.76	421	93	230/460	19.7	1,30
		284T	TEFC	↪P28G7400	3,268	L1	27.44	416	92.4	230/460	18.7	
20	3600	256T	TEFC	EM4106T	2,329	L1	23.16	258	92.4	230/460	23	1,30
		256T	TEFC	↪P25G7405	2,329	L1	24.56	325	91.7	230/460	22.3	
	1800	256T	TEFC	EM2334T	2,355	LS	23.16	291	93	230/460	24	1,30
		256T	TEFC	↪P25G7403	2,355	LS	24.56	332	93	230/460	24	
	1200	286T	TEFC	EM4102T	4,351	L1	27.76	455	93	230/460	26	1,30
		286T	TEFC	↪P28G7401	4,351	L1	27.44	439	92.5	230/460	24.8	
25	3600	284TS	TEFC	EM4107T	3,039	L1	24.59	383	93	230/460	28	1,30
		284TS	TEFC	↪P28G7404	3,039	L1	26.06	424	93.3	230/460	28.1	
	1800	284T	TEFC	EM4103T	3,080	LS	27.76	398	93.6	230/460	30	1,30
		284T	TEFC	↪P28G7402	3,080	LS	26.90	430	93.6	230/460	29.7	
1200	324T	TEFC	EM4111T	4,923	L1	30.39	522	93	230/460	32	1,30	
30	3600	286TS	TEFC	EM4108T	3,611	L1	24.59	382	93	230/460	33	1,30
		286TS	TEFC	↪P28G7405	3,611	L1	26.06	434	93.2	230/460	33.9	
	1800	286T	TEFC	EM4104T	3,654	LS	27.76	433	94.1	230/460	36	1,30
		286T	TEFC	↪P28G7403	3,654	LS	27.44	441	93.6	230/460	36.1	
	1200	326T	TEFC	EM4117T	5,687	L1	30.28	606	93	230/460	39	1,30
		326T	TEFC	↪P32G3350	5,687	L1	30.44	620	93.6	230/460	36.4	
40	3600	324TS	TEFC	EM4109T	4,950	L1	28.78	502	93.6	230/460	45	1,30
	1800	324T	TEFC	EM4110T	4,778	LS	30.28	602	94.5	230/460	46	1,30
		324T	TEFC	↪P32G3345	4,778	LS	30.44	613	94.2	230/460	47.7	
	1200	364T	TEFC	EM4308T	7,087	L1	32.84	834	94.1	230/460	50.5	1,30
50	3600	326TS	TEFC	EM4114T	5,415	L1	28.90	578	94.1	230/460	54	1,30
		326TS	TEFC	↪P32G395	5,415	L1	28.94	637	94.1	230/460	55.5	
	1800	326T	TEFC	EM4115T	5,222	LS	30.28	750	95	230/460	58	1,30
		326T	TEFC	↪P32G3346	5,222	LS	30.44	677	94.5	230/460	58.4	
1200	365T	TEFC	EM4312T	8,564	L1	32.84	858	94.1	230/460	61	1,30	
60	3600	364TS	TEFC	EM4310T	7,607	L1	30.72	816	94.1	230/460	68	1,30
	1800	364T	TEFC	EM4314T	7,514	LS	32.84	814	95	230/460	69	1,30
		364T	TEFC	↪P36G3326	7,514	LS	33.44	870	95	230/460	68	
	1200	404T	TEFC	EM4403T	10,395	L1	38.06	1,045	94.5	230/460	72.5	1,30
75	3600	365TS	TEFC	EM4313T	8,850	L1	30.72	878	94.5	230/460	83	1,30
	1800	365T	TEFC	EM4316T	8,786	LS	32.84	908	95.4	230/460	86.5	1,30
		365T	TEFC	↪P36G3356	8,786	LS	33.44	869	95.4	230/460	85.9	
	1200	405T	TEFC	EM4404T	12,105	L1	38.06	1,160	95	230/460	88	1,30

(a) See notes on inside back flap and pages 5-6.

Custom TEFC motors available through 2,250 Hp; Open and WPll custom motors through 15,000 Hp. Contact your Baldor•Reliance Sales Representative.

↪ = Functional Equivalent

■ Cast Iron Frame

General Information

Premium Efficient Super-E® Motors

Single Phase Motors

General Purpose Industrial Motors

Severe Duty Motors

Washdown Duty Motors

Explosion Proof Motors

Pump Motors

Commercial Motors

HVAC Motors



Three Phase, Totally Enclosed, Foot Mounted

Hp	RPM	NEMA Frame	Enclosure	Catalog Number	List Price	Mult. Sym.	"C" Dim.	Aprx. Wt. (lb)	Full Load Efficiency	Voltage	Full Load Amps	Notes (a)
100	1800	405T	TEFC	EM4400T	10,911	LS	37.22	1,239	95.4	230/460	112	1
		405T	TEFC	➔P40G332	10,911	LS	38.31	1,171	95.4	460	112	
125	1800	444T	TEFC	EM4410T-4	13,508	LS	44.24	1,449	95.4	460	139	1
		444T	TEFC	➔P44G519	13,508	LS	44.62	1,669	95.8	460	139	
150	1800	445T	TEFC	EM4406T-4	15,538	LS	44.24	1,672	95.8	460	173	1,25
		445T	TEFC	➔P44G520	15,538	LS	44.62	1,820	96.2	460	165	1,25
200	1800	447T	TEFC	EM4407TR-4	19,528	L1	48.40	1,875	96.2	460	221	1,5
		447T	TEFC	➔P44G5171	19,528	L1	48.40	2,255	96.2	460	221	1,5

(a) See notes on inside back flap and pages 5-6.

Custom TEFC motors available through 2,250 Hp; Open and WPll custom motors through 15,000 Hp. Contact your Baldor•Reliance Sales Representative.

➔ = Functional Equivalent

■ Cast Iron Frame

General Information

Premium Efficient Super-E® Motors

Single Phase Motors

General Purpose Industrial Motors

Severe Duty Motors

Washdown Duty Motors

Explosion Proof Motors

Pump Motors

Commercial Motors

HVAC Motors

Three Phase,  
Totally Enclosed,  
C-Face,  
Foot Mounted

1 thru 100 Hp

NEMA 56C thru 405TC

**Applications:** Pumps, fans, conveyors, machine tools, gear reducers and other applications requiring a NEMA C-face motor.

**Features:** CEM Super-E® / XE motors have NEMA Premium® efficiency and 3 year warranty. Class F insulation. 1.15 Service Factor. Inverter Ready per NEMA standard MG 1 Part 31.4.4.2.



Hp	RPM	NEMA Frame	Enclosure	Catalog Number	List Price	Mult. Sym.	"C" Dim.	Aprx. Wt. (lb)	Full Load Efficiency	Voltage	Full Load Amps	Notes (a)
1	3600	56C	TEFC	CEM3545	561	K	12.25	34	84	230/460	1.4	
	1800	56C	TEFC	CEM3546	565	K	13.25	36	86.5	208-230/460	1.5	
		143TC	TEFC	CEM3581T	818	L1	13.05	56	86.5	208-230/460	1.5	1
1 1/2	3600	56C	TEFC	CEM3550	594	K	13.25	42	85.5	208-230-460	2	
		143TC	TEFC	CEM3583T	903	L1	13.05	57	85.5	208-230/460	2	1
	1800	56C	TEFC	CEM3554	624	K	14.10	45	88.5	208-230/460	2.1	
		145TC	TEFC	CEM3584T	846	L1	13.05	60	88.5	208-230/460	2.1	1
		56C	TEFC	CEM3555	650	K	14.12	47	86.5	208-230/460	2.5	
2	3600	145TC	TEFC	CEM3586T	905	L1	13.05	64	86.5	208-230/460	2.5	1
		56C	TEFC	CEM3558	660	K	14.10	47	86.5	208-230/460	2.7	
	1800	145TC	TEFC	CEM3587T	885	L1	13.05	64	88.5	208-230/460	2.7	1
3	3600	182TC	TEFC	CEM3610T	803	L1	16.55	67	89.5	230/460	5	
		182TC	TEFC	CEM3660T	1,006	L1	16.00	100	89.5	230/460	3.5	1,30
	1800	182TC	TEFC	CEM3611T	767	LS	16.55	71	89.5	208-230/460	4.1	
		182TC	TEFC	CEM3661T	1,032	L1	16.00	98	89.5	230/460	4	1,30
		182TC	TEFC	☛P18G3832	1,032	L1	17.88	134	89.5	230/460	4.2	30
5	3600	184TC	TEFC	CEM3613T	884	L1	16.55	81	90.2	230/460	5.6	
		184TC	TEFC	CEM3663T	1,220	L1	16.00	107	90.2	230/460	5.7	1,30
	1800	184TC	TEFC	CEM3615T	834	LS	18.05	92	90.2	230/460	6.5	
		184TC	TEFC	CEM3665T	1,033	L1	16.00	113	90.2	208-230/460	6.5	1
		184TC	TEFC	☛P18G3833	1,033	L1	17.88	141	89.5	230/460	6.6	30
7 1/2	3600	213TC	TEFC	CEM3769T	1,481	L1	19.20	180	91	230/460	8.6	1,30
		213TC	TEFC	CEM3770T	1,433	L1	19.20	175	91.7	230/460	9.5	1,30
	1800	213TC	TEFC	☛P21G3832	1,433	L1	20.88	193	91.7	230/460	9.4	30
10	3600	215TC	TEFC	CEM3771T	1,708	L1	19.20	197	91.7	230/460	11.2	1,30
		215TC	TEFC	CEM3774T	1,588	L1	19.20	231	92.4	230/460	12.5	1,30
	1800	215TC	TEFC	☛P21G3833	1,588	L1	20.88	201	90.2	230/460	11.9	30
15	3600	254TC	TEFC	CEM2394T	2,627	L1	23.66	285	91.7	230/460	17.2	1,30
		254TC	TEFC	CEM2333T	2,457	L1	23.66	255	92.4	230/460	18.5	1,30
	1800	254TC	TEFC	☛P25G1124	2,457	L1	25.06	313	92.4	230/460	18.1	7,9
20	3600	256TC	TEFC	CEM4106T	2,834	L1	23.66	258	92.4	230/460	22.5	1,30
	1800	256TC	TEFC	CEM2334T	2,871	L1	23.66	286	93	230/460	24	1,30
25	3600	284TSC	TEFC	CEM4107T	3,740	L1	24.57	383	93	230/460	28	1,30
	1800	284TC	TEFC	CEM4103T	3,797	L1	27.76	393	93.6	230/460	30	1,30
30	1800	286TC	TEFC	CEM4104T	4,375	L1	27.76	437	94.1	230/460	36	1,30
40	1800	324TC	TEFC	CEM4110T	5,575	L1	30.28	614	94.5	230/460	46	1,30
50	1800	326TC	TEFC	CEM4115T	6,021	L1	30.28	645	94.5	230/460	57	1,30
60	1800	364TC	TEFC	CEM4314T	8,395	L1	32.84	816	95	230/460	69	1,30
75	1800	365TC	TEFC	CEM4316T	9,674	L1	32.84	911	95.4	230/460	84	1,30
100	1800	405TC	TEFC	CEM4400T	12,776	L1	38.06	1,191	95.4	230/460	109	1,30

(a) See notes on inside back flap and pages 5-6.

Custom TEFC motors available through 2,250 Hp; Open and WPIL custom motors through 15,000 Hp. Contact your Baldor•Reliance Sales Representative.

☛ = Functional Equivalent

■ = Cast Iron Frame

General Information

Premium Efficient Super-E® Motors

Single Phase Motors

General Purpose Industrial Motors

Severe Duty Motors

Washdown Duty Motors

Explosion Proof Motors

Pump Motors

Commercial Motors

HVAC Motors

**BALDOR • RELIANCE****Premium Efficient Super-E® Motors****Three Phase,  
Totally Enclosed,  
C-Face, Footless****1/2 thru 10 Hp****NEMA 56C thru 215TC****Applications:** Pumps, fans, conveyors, machine tools, gear reducers and other applications requiring a NEMA C-face motor.**Features:** Ball bearings with a locked drive end bearing and heavy-gauge steel or cast iron frame. VEM Super-E® / XE motors have NEMA Premium® efficiency and 3 year warranty.

Hp	RPM	NEMA Frame	Enclosure	Catalog Number	List Price	Mult. Sym.	"C" Dim.	Aprx. Wt. (lb)	Full Load Efficiency	Voltage	Full Load Amps	Notes (a)
1/2	1800	56C	TEFC	VEM3538	511	K	12.24	31	82.5	208-230/460	0	1,48
3/4	1800	56C	TEFC	VEM3542	542	K	12.24	34	82.5	208-230/460	1.1	1
1	3600	56C	TEFC	VEM3545	557	K	12.24	32	84	230/460	1.4	1,30
		56C	TEFC	VEM3546	558	K	13.24	39	87.5	208-230/460	1.5	1
	1800	56C	TEFC	VEM3581	814	K	12.49	54	87.5	208-230/460	1.5	1
		143TC	TEFC	VEM3546T	569	L1	13.31	42	87.5	208-230/460	1.5	1
		143TC	TEFC	VEM3581T	814	L1	13.04	55	87.5	208-230/460	1.5	1
1 1/2	3600	56C	TEFC	VEM3550	588	K	13.24	41	85.5	208-230/460	2	1
		56C	TEFC	VEM3554	620	K	14.12	45	88.5	208-230/460	2.1	1
	1800	145TC	TEFC	VEM3554T	594	L1	14.19	42	88.5	208-230/460	2.1	1
145TC		TEFC	VEM3584T	816	L1	13.04	61	88.5	208-230/460	2.1	1	
2	3600	56C	TEFC	VEM3555	645	K	14.12	49	86.5	208-230/460	2.5	1
		56C	TEFC	VEM3558	655	K	14.12	49	86.5	208-230/460	2.7	1
	1800	145TC	TEFC	VEM3558T	666	L1	14.19	47	86.5	208-230/460	2.7	1
		145TC	TEFC	VEM3587T	879	L1	13.04	64	88.5	208-230/460	2.7	1
3	3600	182TC	TEFC	VEM3610T	790	L1	16.55	64	89.5	230/460	3.5	
		182TC	TEFC	VEM3611T	755	LS	16.55	68	89.5	208-230/460	4.1	
	1800	182TC	TEFC	VEM3661T	1,018	L1	16.00	97	89.5	230/460	4	1,30
		L182TC	TEFC	↔P18G1132	1,018	L1	17.12	131	89.5	230/460	4.2	30
5	3600	184TC	TEFC	VEM3613T	871	L1	16.55	78	90.2	230/460	5.6	
		184TC	TEFC	VEM3615T	822	LS	18.05	92	90.2	230/460	6.5	
	1800	184TC	TEFC	VEM3665T	1,020	L1	16.00	112	90.2	208-230/460	6.5	1
		L184TC	TEFC	↔P18G1133	1,020	L1	17.12	132	89.5	230/460	6.6	30
7 1/2	1800	213TC	TEFC	VEM3770T	1,414	L1	19.25	170	91.7	230/460	9.5	1,30
		L213TC	TEFC	↔P21G1101	1,414	L1	20.12	184	91.7	230/460	9.4	30
10	1800	215TC	TEFC	VEM3774T	1,569	L1	19.25	231	92.4	230/460	12.5	1,30
		L215TC	TEFC	↔P21G1102	1,569	L1	20.12	197	90.2	230/460	11.9	30

(a) See notes on inside back flap and pages 5-6.

↔ = Functional Equivalent

■ Cast Iron Frame

Three Phase,  
Open Drip Proof,  
Foot Mounted

1 thru 300 Hp

NEMA 56 thru 447T

**Applications:** Pumps, compressors, fans, conveyors, machine tools and other general purpose three phase applications.

**Features:** Copper windings, ball bearings and heavy duty steel or cast iron frames. Mount in any position. EM Super-E® / XE motors have NEMA Premium® efficiency and 3 year warranty.



Hp	RPM	NEMA Frame	Catalog Number	List Price	Mult. Sym.	"C" Dim.	Aprx. Wt. (lb)	Full Load Efficiency	Voltage	Full Load Amps	Notes (a)
1	3600	56	EM3115	461	K	11.06	32	84	230/460	1.4	1,30
	1800	143T	EM3116T	522	L1	11.62	36	85.5	230/460	1.5	1,30
	1200	145T	EM3156T	612	L1	12.12	39	82.5	230/460	1.8	1
1 1/2	3600	143T	EM3120T	514	L1	11.12	36	85.5	208-230/460	2.1	1
	1800	145T	EM3154T	546	L1	12.12	40	88.5	208-230-460	2.1	1
	1200	182T	EM3207T	716	L1	15.00	71	87.5	208-230/460	2.6	1
2	3600	143T	EM3155T	604	L1	11.62	37	86.5	208-230/460	2.5	1
	1800	145T	EM3157T	585	L1	13.00	46	86.5	230/460	2.7	1
	1200	184T	EM3215T	732	L1	16.50	85	88.5	208-230/460	3.5	1
3	3600	145T	EM3158T	612	L1	13.00	52	87.5	230/460	3.7	1,30
	1800	182T	EM3211T	631	L1	15.00	69	90.2	230/460	4	1,30
	1200	213T	EM3305T	932	L1	16.32	114	88.5	230/460	4.4	1,30
5	3600	182T	EM3212T	668	L1	15.00	76	91	208-230/460	5.6	1
	1800	184T	EM3218T	691	L1	16.50	85	90.2	230/460	6.6	1,30
	1200	215T	EM3309T	1,221	L1	17.45	126	90.2	230/460	7.3	1,30
7 1/2	3600	184T	EM3219T	1,060	L1	16.50	85	91	230/460	8	1
	1800	213T	EM3311T	1,016	L1	16.32	117	91.7	230/460	9.6	1,30
	1200	254T	EM2506T	1,464	L1	23.19	245	91.7	230/460	10.7	1,30
10	3600	213T	EM3312T	1,212	L1	17.45	130	91.7	230/460	11.5	1,30
	1800	215T	EM3313T	1,230	L1	17.45	128	91.7	230/460	12.5	1,30
	1200	256T	EM2511T	1,905	L1	23.19	249	91.7	230/460	14.3	1,30
15	3600	215T	EM3314T	1,722	L1	17.45	147	91.7	230/460	17	1,30
	1800	254T	EM2513T	1,742	L1	21.69	217	93	230/460	17.7	1,30
		256T	P25G3510	1,897	L1	22.44	257	93	230/460	17.7	1
	1200	284T	EM2524T	2,569	L1	23.81	375	92.4	230/460	20	1
20	3600	254T	EM2514T	2,023	L1	21.69	206	92.4	230/460	22.5	1,30
	1800	256T	EM2515T	2,187	L1	21.69	237	93	230/460	23.5	1,30
		256T	P25G3509	2,384	L1	22.44	280	93	230/460	23.8	1
	1200	286T	EM2528T	3,127	L1	25.06	372	93	230/460	26	1
25	3600	256T	EM2516T	2,429	L1	21.69	242	93	230/460	28	1,30
	1800	284T	EM2531T	2,666	L1	23.81	330	94.1	230/460	30	1,30
		284T	P28G3504	2,906	L1	24.94	381	93.6	230/460	29.7	1
	1200	324T	EM2532T	3,777	L1	27.69	478	93.6	230/460	32	1
30	3600	284TS	EM2534T	2,866	L1	22.44	323	93.6	230/460	34	1
	1800	286T	EM2535T	2,915	L1	25.06	372	94.1	230/460	35	1,30
		286T	P28G3505	3,178	L1	24.94	393	94.1	230/460	37	1
	1200	326T	EM2536T	3,940	L1	28.69	474	93.6	230/460	38	1
40	3600	286TS	EM2538T	3,693	L1	23.69	378	94.1	230/460	45	1
		286TS	P28G86	4,026	L1	23.56	382	93.6	230/460	46	1
	1800	324T	EM2539T	3,803	L1	26.69	441	94.5	230/460	46	1,30
		324T	P32G51	4,146	L1	27.56	476	94.1	230/460	49.3	1
1200	364T	EM2540T	5,613	L1	29.69	827	94.1	230/460	50	1,30	
50	3600	324TS	EM2542T	4,022	L1	25.69	447	94.5	230/460	54	1
		324TS	P32G85	4,561	L1	26.06	521	94.1	230/460	57.8	1
	1800	326T	EM2543T	4,197	L1	27.69	472	95	230/460	57	1,30
		326T	P32G52	4,575	L1	27.56	518	94.1	230/460	59.6	1
	1200	365T	EM2544T	6,795	L1	29.69	857	94.1	230/460	62	1,30

(a) See notes on inside back flap and pages 5-6.

■ Cast Iron Frame

General Information

Premium Efficient Super-E® Motors

Single Phase Motors

General Purpose Industrial Motors

Severe Duty Motors

Washdown Duty Motors

Explosion Proof Motors

Pump Motors

Commercial Motors

HVAC Motors



Three Phase, Open Drip Proof, Foot Mounted

Hp	RPM	NEMA Frame	Catalog Number	List Price	Mult. Sym.	"C" Dim.	Aprx. Wt. (lb)	Full Load Efficiency	Voltage	Full Load Amps	Notes (a)
60	3600	326TS	EM2546T	5,089	L1	25.19	463	94.5	230/460	65	1
	1800	364T	EM2547T	5,284	L1	30.69	698	95	230/460	68	1,30
		364T	P36G51	5,759	L1	29.70	644	95	230/460	69.5	1
	1200	404T	EM2548T-4	8,627	L1	34.00	1,127	95	460	72	1,25
75	3600	364TS	EM2549T	6,676	L1	25.81	737	94.5	230/460	82	1
	1800	365T	EM2551T	6,486	L1	33.72	808	95.4	230/460	86	1,30
		365T	P36G52	7,069	L1	29.70	727	95	230/460	86.5	1
	1200	405T	EM2552T-4	9,605	L1	34.00	1,166	95	460	88	1,25
100	3600	365TS	EM2550T	7,136	L1	26.81	810	94.5	230/460	109	1
	1800	404T	EM2555T-4	7,546	L1	36.97	898	95.4	460	115	1,25
		404T	P40G297	8,225	L1	34.00	1,039	95.4	230/460	115	1
	1200	444T	EM2583T-4	10,572	L1	39.62	1,349	95	460	123	1,25
125	3600	404TS	EM2554T-4	8,956	L1	33.60	1,074	95.8	460	138	1,25
		404TS	P40G295	10,686	L1	31.00	1,021	95	460	143	1
	1800	405T	EM2559T-4	9,257	L1	34.47	1,238	95.4	460	143	1,25
		405T	P40G298	10,089	L1	34.00	1,129	95.4	460	141	1
	1200	445T	EM2557T-4	11,417	L1	39.62	1,535	95.8	460	146	1,25
150	3600	405TS	EM2556T-4	11,048	L1	34.60	831	95.8	460	164	1,25
	1800	444T	EM2558T-4	10,283	L1	39.62	1,405	95.8	460	170	1,25
		444T	P44G455	10,283	L1	39.56	1,507	96.2	460	170	1
	1200	445T	EM2560T-4	13,446	L1	39.62	1,620	95.8	460	176	1,25
200	3600	444TS	EM2562T-4	12,520	L1	35.88	1,326	95.4	460	217	1,25
	1800	445T	EM2563T-4	12,850	L1	39.62	1,496	95.8	460	226	1,25
	1200	447T	EM2564T-4	17,675	L1	48.12	1,909	95.8	460	234	1,25
250	1800	445T	EM2566T-4	14,410	L1	39.62	1,592	95.8	460	280	1,25
300	1800	445T	EM2569T-4	18,886	L1	39.62	1,702	95.8	460	335	1,25

(a) See notes on inside back flap and pages 5-6.

■ Cast Iron Frame

Custom TEFC motors available through 2,250 Hp; Open and WPII custom motors through 15,000 Hp. Contact your local Baldor•Reliance Sales Representative.

General Information

Premium Efficient Super-E® Motors

Single Phase Motors

General Purpose Industrial Motors

Severe Duty Motors

Washdown Duty Motors

Explosion Proof Motors

Pump Motors

Commercial Motors

HVAC Motors

200 Volt,  
Three Phase,  
TEFC, Foot Mounted

1 thru 50 Hp

NEMA 143T thru 326T

**Applications:** Pumps, fans, compressors, blowers, machine tools, conveyors and many other applications requiring 200 volt power.

**Features:** 1.15 Service Factor, positively locked drive end bearing on 254T and larger, ball bearings, dynamically balanced rotors. EM Super-E® / XE motors have NEMA Premium® efficiency and 3 year warranty.



Hp	RPM	NEMA Frame	Catalog Number	List Price	Mult. Sym.	"C" Dim.	Aprx. Wt. (lb)	Full Load Efficiency	Voltage	Full Load Amps	Notes (a)
1	1800	143T	EM3546T-8	612	L1	13.31	39	87.5	200	3.5	1,30,68
1 1/2	1800	145T	EM3554T-8	636	L1	14.19	42	88.5	200	4.8	1,30,68
2	1800	145T	EM3558T-8	659	L1	14.19	49	86.5	200	6.3	1,30,68
3	3600	182T	EM3660T-8	945	L1	15.24	89	88.5	200	7.8	1,30,68
	1800	182T	EM3661T-8	972	L1	15.24	91	89.5	200	9.1	1,30,68
5	3600	184T	EM3663T-8	1,163	L1	15.24	97	89.5	200	13	1,30,68
	1800	184T	EM3665T-8	973	L1	15.24	109	90.2	200	14.9	1,30,68
7 1/2	3600	213T	EM3769T-8	1,346	L1	18.45	173	91	200	19.8	1,68
	1800	213T	EM3770T-8	1,297	L1	18.45	170	91.7	200	21.4	1,68
10	3600	213T	EM3771T-8	1,579	L1	18.45	203	91.7	200	26.5	1,30,68
	1800	215T	EM3774T-8	1,456	L1	18.45	231	92.4	200	28.4	1,30,68
15	3600	254T	EM2394T-8	2,174	L1	23.16	267	91.7	200	39.6	1,30,68
	1800	254T	EM2333T-8	2,000	L1	23.16	238	92.4	200	42.4	1,30,68
20	3600	256T	EM4106T-8	2,387	L1	23.16	285	92.4	200	52.9	1,24,30,69
	1800	256T	EM2334T-8	2,426	L1	23.16	286	93	200	55.2	1,24,30,69
25	3600	284TS	EM4107T-8	3,114	L1	25.24	382	93	200	63	1,24,69
	1800	284T	EM4103T-8	3,172	L1	27.76	407	93.6	200	68.4	1,24,69
30	3600	286TS	EM4108T-8	3,701	L1	25.24	407	93	200	75	1,24,69
	1800	286T	EM4104T-8	3,764	L1	27.76	426	94.1	200	84	1,24,69
40	1800	324T	EM4110T-8	4,923	L1	30.28	604	94.5	200	106	1,24,69
	1800	326T	EM4115T-8	5,380	L1	30.28	632	94.5	200	131	1,24,69

(a) See notes on inside back flap and pages 5-6.

■ Cast Iron Frame

General Information

Premium Efficient Super-E® Motors

Single Phase Motors

General Purpose Industrial Motors

Severe Duty Motors

Washdown Duty Motors

Explosion Proof Motors

Pump Motors

Commercial Motors

HVAC Motors

# Premium Efficient Super-E® Motors

**BALDOR • RELIANCE**

**200 Volt,  
Three Phase,  
ODP, Foot Mounted**

**1 thru 100 Hp**

**NEMA 143T thru 404T**

**Applications:** Pumps, fans, compressors, blowers, machine tools, conveyors and many other applications requiring 200 volt power.

**Features:** 1.15 Service Factor, positively locked drive end bearing on 254T and larger, ball bearings, dynamically balanced rotors. EM and EFM Super-E motors have NEMA Premium® efficiency and 3 year warranty.



Hp	RPM	NEMA Frame	Catalog Number	List Price	Mult. Sym.	"C" Dim.	Aprx. Wt. (lb)	Full Load Efficiency	Voltage	Full Load Amps	Notes (a)
<b>F1 Mounting</b>											
1	1800	143T	<a href="#">EM3116T-8</a>	535	L1	11.12	36	85.5	200	3.2	1,68
1 1/2	1800	145T	<a href="#">EM3154T-8</a>	559	L1	12.12	42	86.5	200	4.8	1,68
2	1800	145T	<a href="#">EM3157T-8</a>	600	L1	13.00	47	86.5	200	6.1	1,68
3	1800	182T	<a href="#">EM3211T-8</a>	647	L1	15.00	68	89.5	200	9.3	1,68
5	1800	184T	<a href="#">EM3218T-8</a>	708	L1	15.00	72	89.5	200	15	1,68
7 1/2	1800	213T	<a href="#">EM3311T-8</a>	1,041	L1	16.32	116	91.7	200	22.4	1,68
10	1800	215T	<a href="#">EM3313T-8</a>	1,260	L1	17.45	148	91.7	200	29.5	1,68
15	1800	254T	<a href="#">EM2513T-8</a>	1,785	L1	21.69	234	93	200	40.7	1,68
20	3600	254T	<a href="#">EM2514T-8</a>	2,074	L1	21.69	186	92.4	200	52.3	1,24,69
	1800	256T	<a href="#">EM2515T-8</a>	2,241	L1	21.69	237	93	200	54.3	1,24,69
25	3600	256T	<a href="#">EM2516T-8</a>	2,490	L1	21.69	242	93	200	63.2	1,24,69
	1800	284T	<a href="#">EM2531T-8</a>	2,732	L1	23.81	313	94.1	200	69.5	1,24,69
30	1800	286T	<a href="#">EM2535T-8</a>	2,988	L1	25.06	353	94.1	200	81	1,24,69
	3600	286TS	<a href="#">EM2538T-8</a>	3,785	L1	23.69	377	94.1	200	105	1,24,69
40	1800	324T	<a href="#">EM2539T-8</a>	3,898	L1	26.69	488	94.5	200	107	1,24,69
	50	1800	326T	<a href="#">EM2543T-8</a>	4,301	L1	27.69	521	94.5	200	132
60	1800	364T	<a href="#">EM2547T-8</a>	5,416	L1	30.69	615	95	200	160	1,24,69
75	1800	365T	<a href="#">EM2551T-8</a>	6,647	L1	29.69	808	95	200	195	1,24,69
100	1800	404T	<a href="#">EM2555T-8</a>	7,734	L1	36.97	1,114	95.4	200	263	1,24,69
<b>F2 Mounting</b>											
2	1800	145T	<a href="#">EFM3157T-8</a>	600	L1	13.00	48	86.5	200	6.1	1,68
3	1800	182T	<a href="#">EFM3211T-8</a>	647	L1	15.00	66	89.5	200	9.3	1,68
5	1800	184T	<a href="#">EFM3218T-8</a>	708	L1	15.00	69	89.5	200	15	1,68
7 1/2	1800	213T	<a href="#">EFM3311T-8</a>	1,041	L1	16.32	109	91.7	200	22.4	1,68
10	1800	215T	<a href="#">EFM3313T-8</a>	1,260	L1	17.45	145	91.7	200	29.5	1,68
15	1800	254T	<a href="#">EFM2513T-8</a>	1,785	L1	21.69	234	93	200	40.7	1,68
20	1800	256T	<a href="#">EFM2515T-8</a>	2,241	L1	21.69	237	93	200	54.3	1,24,69

(a) See notes on inside back flap and pages 5-6.

Custom TEFC motors available through 2,250 Hp; Open and WPII custom motors through 15,000 Hp. Contact your Baldor•Reliance Sales Representative.

■ Cast Iron Frame

575 Volt,  
Three Phase,  
TEFC

1 thru 150 Hp

NEMA 143T thru 445T

**Applications:** Pumps, fans, compressors, blowers, machine tools, conveyors and many applications requiring 575 volt power.

**Features:** 1.15 Service Factor. Positively locked drive end ball bearing, dynamically balanced rotors. CEM Super-E® / XE motors have NEMA Premium® efficiency and 3 year warranty.



Hp	RPM	NEMA Frame	Catalog Number	List Price	Mult. Sym.	"C" Dim.	Aprx. Wt. (lb)	Full Load Efficiency	Voltage	Full Load Amps	Notes (a)
<b>Foot Mounted</b>											
1	1800	143T	EM3546T-5	594	LS	13.31	38	86.5	575	1.1	1
1 1/2	1800	145T	EM3554T-5	617	LS	13.31	42	86.5	575	1.6	1
2	1800	145T	EM3558T-5	640	LS	14.19	48	86.5	575	2.2	1
3	1800	182T	EM3611T-5	707	LS	16.55	69	89.5	575	3.1	1
		182T	EM3661T-5	948	L1	15.24	90	89.5	575	3.2	1
5	1800	184T	EM3615T-5	774	LS	18.05	91	90.2	575	5.2	1
		184T	EM3665T-5	949	L1	15.24	109	90.2	575	5.2	1
7 1/2	1800	213T	EM3710T-5	1,116	LS	19.02	143	91.7	575	8.2	1
		213T	EM3770T-5	1,266	L1	18.45	178	91.7	575	8	1
10	1800	215T	EM3714T-5	1,260	LS	19.77	153	91.7	575	10.1	1
		215T	EM3774T-5	1,420	L1	18.45	201	91.7	575	10.1	1
15	3600	254T	EM2394T-5	2,122	L1	23.16	268	91.7	575	13.8	1
	1800	254T	EM2333T-5	1,942	LS	23.16	235	92.4	575	14.8	1
20	3600	256T	EM4106T-5	2,329	L1	23.16	258	92.4	575	18.4	1
	1800	256T	EM2334T-5	2,355	LS	24.56	303	93	575	19.2	1
25	3600	284TS	EM4107T-5	3,039	L1	24.70	398	93	575	22	1
	1800	284T	EM4103T-5	3,080	LS	27.76	746	93.6	575	23.7	1
30	3600	286TS	EM4108T-5	3,611	L1	24.70	418	93	575	26.2	1
	1800	286T	EM4104T-5	3,654	LS	27.76	451	94.1	575	29	1
40	3600	324TS	EM4109T-5	4,950	L1	28.78	549	93.6	575	36	1
	1800	324T	EM4110T-5	4,778	LS	30.88	600	94.1	575	38.1	1
50	3600	326TS	EM4114T-5	5,415	L1	28.90	578	94.1	575	43.6	1
	1800	326T	EM4115T-5	5,222	LS	30.28	560	94.5	575	46.7	1
60	1800	364T	EM4314T-5	7,514	LS	32.84	808	95	575	54.4	1
75	1800	365T	EM4316T-5	8,786	LS	32.84	889	95.4	575	68.7	1
100	1800	405T	EM4400T-5	10,911	LS	38.06	1,239	95.4	575	89.6	1
125	1800	444T	EM4410T-5	13,508	LS	44.24	1,466	95.8	575	111	1
150	1800	445T	EM4406T-5	17,196	LS	44.24	1,672	96.2	575	141	1
<b>C-Face, Foot Mounted</b>											
1	1800	143TC	CEM3581T-5	818	L1	13.03	56	86.5	575	1.1	1
1 1/2	3600	143TC	CEM3583T-5	903	L1	13.03	57	85.5	575	1.6	1
	1800	145TC	CEM3584T-5	846	L1	13.03	61	86.5	575	1.6	1
2	3600	145TC	CEM3586T-5	905	L1	13.03	63	86.5	575	2	1
	1800	145TC	CEM3587T-5	885	L1	13.03	65	86.5	575	2.2	1
3	3600	182TC	CEM3660T-5	1,006	L1	16.00	95	88.5	575	2.7	1
	1800	182TC	CEM3661T-5	1,032	L1	16.00	97	89.5	575	3.2	1
5	3600	184TC	CEM3663T-5	1,220	L1	16.00	104	89.5	575	4.6	1
	1800	184TC	CEM3665T-5	1,033	L1	16.00	115	90.2	575	5.2	1
7 1/2	3600	213TC	CEM3769T-5	1,481	L1	19.20	191	91	575	6.9	1
	1800	213TC	CEM3770T-5	1,433	L1	19.20	178	91.7	575	8	1
10	3600	215TC	CEM3771T-5	1,708	L1	19.20	181	91.7	575	9	1
	1800	215TC	CEM3774T-5	1,588	L1	19.20	201	91.7	575	10.1	1
15	1800	254TC	CEM2333T-5	2,457	L1	23.78	238	92.4	575	14.8	1

(a) See notes on inside back flap and pages 5-6.

**CUSTOM 575 VOLT MOTORS AVAILABLE THROUGH 1000 HP. CONTACT YOUR LOCAL BALDOR•RELIANCE SALES REPRESENTATIVE. MEETS NRC CANADIAN STANDARDS FOR EFFICIENCY.**

↔ = Functional Equivalent

■ Cast Iron Frame

General Information

Premium Efficient Super-E® Motors

Single Phase Motors

General Purpose Industrial Motors

Severe Duty Motors

Washdown Duty Motors

Explosion Proof Motors

Pump Motors

Commercial Motors

HVAC Motors



575 Volt, Three Phase, TEFC

Hp	RPM	NEMA Frame	Catalog Number	List Price	Mult. Sym.	"C" Dim.	Aprx. Wt. (lb)	Full Load Efficiency	Voltage	Full Load Amps	Notes (a)
<b>C-Face, Foot Mounted (continued)</b>											
20	1800	256TC	CEM2334T-5	2,871	L1	23.78	286	93	575	19	1
25	1800	284TC	CEM4103T-5	3,797	L1	27.76	390	93.6	575	23.9	1
<b>C-Face, Footless</b>											
1	1800	143TC	VEM3581T-5	814	L1	13.03	55	86.5	575	1.1	1
1 1/2	1800	145TC	VEM3584T-5	816	L1	13.03	59	86.5	575	1.6	1
2	1800	145TC	VEM3587T-5	879	L1	13.03	62	86.5	575	2.2	1
3	1800	182TC	VEM3661T-5	1,018	L1	16.00	94	89.5	575	3.2	1
		182TC	↪P18G3884	1,018	L1	17.12	113	87.5	575	3.12	
5	1800	184TC	VEM3665T-5	1,020	L1	16.00	110	90.2	575	5.2	1
		184TC	↪P18G3885	1,020	L1	17.12	123	87.5	575	5.2	
7 1/2	1800	213TC	VEM3770T-5	1,414	L1	19.25	164	91.7	575	8	1
		213TC	↪P21G3884	1,414	L1	20.12	167	89.5	575	7.6	
10	1800	215TC	VEM3774T-5	1,569	L1	19.25	197	89.5	575	9.76	
		215TC	↪P21G3885	1,569	L1	20.12	177	89.5	575	9.76	

(a) See notes on inside back flap and pages 5-6.

**CUSTOM 575 VOLT MOTORS AVAILABLE THROUGH 1000 HP. CONTACT YOUR LOCAL BALDOR•RELIANCE SALES REPRESENTATIVE. MEETS NRC CANADIAN STANDARDS FOR EFFICIENCY.**

↪ = Functional Equivalent

■ Cast Iron Frame

575 Volt, Three Phase, ODP, Foot Mounted

1 thru 60 Hp

NEMA 143T thru 364T

**Applications:** Pumps, compressors, fans, conveyors, machine tools and other applications where 575 volt three phase power is available.

**Features:** Ball bearings. Mount in any position. Heavy-gauge steel and cast iron frames. EM Super-E® / XE motors have NEMA Premium® efficiency and 3 year warranty.



Hp	RPM	NEMA Frame	Catalog Number	List Price	Mult. Sym.	"C" Dim.	Aprx. Wt. (lb)	Full Load Efficiency	Voltage	Full Load Amps	Notes (a)
1	1800	143T	EM3116T-5	522	L1	11.12	33	85.5	575	1.1	1
1 1/2	1800	145T	EM3154T-5	546	L1	12.12	40	86.5	575	1.7	1
2	1800	145T	EM3157T-5	585	L1	13.00	46	86.5	575	2.1	1
3	1800	182T	EM3211T-5	631	L1	15.00	66	89.5	575	3.1	1
5	1800	184T	EM3218T-5	691	L1	15.00	74	89.5	575	5.2	1
7 1/2	1800	213T	EM3311T-5	1,016	L1	16.32	114	91	575	8	1
10	1800	215T	EM3313T-5	1,230	L1	18.20	145	91.7	575	10.2	1
15	1800	254T	EM2513T-5	1,742	L1	21.69	234	93	575	14.1	1
20	1800	256T	EM2515T-5	2,187	L1	21.69	237	93	575	18.9	1
25	1800	284T	EM2531T-5	2,666	L1	23.81	330	94.1	575	24.2	1
30	1800	286T	EM2535T-5	2,915	L1	25.06	356	94.1	575	28	1
40	1800	324T	EM2539T-5	3,803	L1	26.69	482	94.5	575	37.4	1
50	1800	326T	EM2543T-5	4,197	L1	27.69	445	94.5	575	46	1
60	1800	364T	EM2547T-5	5,284	L1	30.69	726	95	575	56	1

(a) See notes on inside back flap and pages 5-6.

**MEETS NRC CANADIAN STANDARDS FOR EFFICIENCY.**

General Information

Premium Efficient Super-E® Motors

Single Phase Motors

General Purpose Industrial Motors

Severe Duty Motors

Washdown Duty Motors

Explosion Proof Motors

Pump Motors

Commercial Motors

HVAC Motors

**Severe Duty,  
Three Phase,  
460 & 230/460 Volts,  
Foot Mounted**

**1 thru 400 Hp**

**NEMA 143T thru 5011LY**



**Applications:** Petro-chemical plants, mines, foundries, pulp and paper plants, waste management facilities, chemical plants, tropical climates and other processing industry applications requiring protection against corrosion caused by severe environmental operating conditions.

**Features:** 1.15 Service Factor, corrosion resistant epoxy finish, regreasable ball or roller bearings, oversized rotatable cast iron conduit box, cast iron frames, V-Ring shaft seal, moisture resistant copper windings, Class F insulation, tropicalization, stainless steel nameplate and corrosion resistant hardware. ECP/XEX Super-E® motors have NEMA Premium® efficiency and 3 year warranty.

Hp	RPM	NEMA Frame	Catalog Number	List Price	Mult. Sym.	"C" Dim.	Aprx. Wt. (lb)	Full Load Efficiency	Voltage	Full Load Amps	Notes (a)
1	3600	143T	ECP3580T-4	799	SD	12.88	55	84	460	1.4	1
	1800	143T	ECP3581T	878	SD	12.88	61	87.5	208-230/460	1.5	1
		143T	ECP3581T-4	878	SD	12.88	60	87.5	460	1.5	1
	1200	145T	ECP3582T	970	SD	12.88	67	82.5	208-230/460	1.8	1
		145T	ECP3582T-4	970	SD	12.88	64	82.5	460	1.8	1
900	L182T	ECP3687T-4	1,363	SD	17.12	135	82.5	460	1.75	1	
1 1/2	3600	143T	ECP3583T-4	909	SD	12.88	66	85.5	460	2	1
	1800	145T	ECP3584T	895	SD	12.88	67	88.5	208-230/460	2.1	1
		145T	ECP3584T-4	895	SD	12.88	65	88.5	460	2.1	1
	1200	182T	ECP3667T	1,135	SD	15.62	136	87.5	208-230/460	2.4	1
		182T	ECP3667T-4	1,135	SD	15.62	135	87.5	460	2.4	1
900	L184T	ECP3668T-4	1,696	SD	17.12	146	84	460	2.4	1	
2	3600	145T	ECP3586T-4	951	SD	12.88	66	86.5	460	2.5	1
	1800	145T	ECP3587T	934	SD	12.88	69	86.5	208-230/460	2.7	1
		145T	ECP3587T-4	934	SD	12.88	69	86.5	460	2.7	1
	1200	L184T	ECP3664T	1,150	SD	17.12	144	88.5	208-230/460	3	1
		L184T	ECP3664T-4	1,150	SD	17.12	137	87.5	460	2.8	1
900	L213T	ECP3772T-4	2,139	SD	20.19	200	85.5	460	3.2	1	
3	3600	182T	ECP3660T	1,125	SD	15.62	104	88.5	230/460	3.6	1
		182T	ECP3660T-4	1,125	SD	15.62	118	88.5	460	3.6	1
	1800	L182T	ECP3661T	1,182	SD	17.12	131	89.5	230/460	4.2	1,30
		182T	ECP3661T-4	1,182	SD	15.62	136	89.5	460	4.2	1
	1200	213T	ECP3764T	1,660	SD	19.31	181	89.5	230/460	4.2	1,30
213T		ECP3764T-4	1,660	SD	19.31	186	89.5	460	4.2	1,30	
900	L215T	ECP3775T-4	2,320	SD	20.19	205	85.5	460	4.7	1	
5	3600	184T	ECP3663T	1,384	SD	15.93	128	88.5	230/460	5.6	1
		184T	ECP3663T-4	1,384	SD	15.62	128	88.5	460	6	1
	1800	L184T	ECP3665T	1,203	SD	17.12	143	89.5	230/460	6.6	1,30
		L184T	ECP3665T-4	1,203	SD	17.12	137	89.5	460	6.6	1
	1200	L215T	ECP3768T	1,682	SD	20.19	199	89.5	230/460	6.8	1,30
L215T		ECP3768T-4	1,682	SD	20.19	197	89.5	460	6.8	1	
900	254T	ECP2280T-4	3,693	SD	24.56	337	89.5	460	7.3	1	
7 1/2	3600	213T	ECP3769T	1,806	SD	19.31	178	90.2	230/460	8.6	1
		213T	ECP3769T-4	1,806	SD	19.31	191	90.2	460	8.6	1
	1800	L213T	ECP3770T	1,515	SD	20.19	199	91.7	230/460	9.4	1
		L213T	ECP3770T-4	1,515	SD	20.19	199	91.7	460	9.4	1
	1200	254T	ECP2276T	2,407	SD	24.56	344	91	230/460	9.9	1
254T		ECP2276T-4	2,407	SD	24.56	308	90.2	460	9.6	1	
900	256T	ECP2401T-4	4,223	SD	24.56	370	90.2	460	10.5	1	

(a) See notes on inside back flap and pages 5-6.

All ratings are 1.15 service factor at 40°C ambient. All ratings meet 50°C ambient at 1.00 service factor and weatherproof intent of IEEE 45 and USCG 259 marine duty (below deck).

Custom TEFC motors available through 2,250 Hp; Open and WPll custom motors through 15,000 Hp. Contact your Baldor•Reliance Sales Representative.

**FOR OTHER 208-230/460 VOLT REQUIREMENTS, PLEASE SEE DIRTY DUTY MOTORS ON PAGE 75.**

■ Cast Iron Frame

General Information

Premium Efficient Super-E® Motors

Single Phase Motors

General Purpose Industrial Motors

Severe Duty Motors

Washdown Duty Motors

Explosion Proof Motors

Pump Motors

Commercial Motors

HVAC Motors

Severe Duty, Three Phase, 460 & 230/460 Volts, Foot Mounted

Hp	RPM	NEMA Frame	Catalog Number	List Price	Mult. Sym.	"C" Dim.	Aprx. Wt. (lb)	Full Load Efficiency	Voltage	Full Load Amps	Notes (a)
10	3600	215T	ECP3771T	1,923	SD	19.31	188	91	230/460	11.1	1
		215T	ECP3771T-4	1,923	SD	19.31	188	91	460	11.1	1
	1800	L215T	ECP3774T	1,814	SD	20.19	210	91.7	230/460	12.3	1
		L215T	ECP3774T-4	1,814	SD	20.19	210	91.7	460	12.3	1
	1200	256T	ECP2332T	3,127	SD	24.56	347	91	230/460	12.5	1
		256T	ECP2332T-4	3,127	SD	24.56	342	91	460	12.5	1
900	284T	ECP2402T-4	4,926	SD	27.44	445	90.2	460	13.7	1	
15	3600	254T	ECP2294T	2,460	SD	24.56	349	91.7	230/460	16.8	1
		254T	ECP2394T-4	2,460	SD	24.56	349	91.7	460	16.8	1
	1800	254T	ECP2333T	2,311	SD	24.56	326	92.4	230/460	18.1	1
		254T	ECP2333T-4	2,311	SD	24.56	323	92.4	460	18.1	1
	1200	284T	ECP4100T	3,585	SD	27.44	439	92.4	230/460	18.7	1
		284T	ECP4100T-4	3,585	SD	27.44	441	92.4	460	18.7	1
900	286T	ECP2395T-4	6,576	SD	27.44	442	90.2	460	20	1	
20	3600	256T	ECP4106T	2,870	SD	24.56	348	91.7	230/460	22.3	1
		256T	ECP4106T-4	2,870	SD	24.56	345	91.7	460	22.3	1
	1800	256T	ECP2334T	2,479	SD	24.56	356	93	230/460	24	1
		256T	ECP2334T-4	2,479	SD	24.56	355	93	460	24	1
	1200	286T	ECP4102T	4,871	SD	27.44	453	92.4	230/460	24.8	1
		286T	ECP4102T-4	4,871	SD	27.44	456	92.4	460	24.8	1
900	324T	ECP4112T-4	7,497	SD	30.44	620	91	460	26.5	1	
25	3600	284TS	ECP4107T	3,449	SD	26.06	398	93	230/460	28.1	1
		284TS	ECP4107T-4	3,449	SD	26.06	449	93	460	28.1	1
	1800	284T	ECP4103T	3,244	SD	27.44	454	93.6	230/460	29.7	1
		284T	ECP4103T-4	3,244	SD	27.44	456	93.6	460	29.7	1
	1200	324T	ECP4111T	5,090	SD	30.44	651	93	230/460	30.9	1
		324T	ECP4111T-4	5,090	SD	30.44	650	93	460	30.9	1
30	3600	286TS	ECP4108T	4,205	SD	26.06	450	93	230/460	33.9	1
		286TS	ECP4108T-4	4,205	SD	26.06	451	93	460	33.9	1
	1800	286T	ECP4104T	3,852	SD	27.44	462	93.6	230/460	36.1	1
		286T	ECP4104T-4	3,852	SD	27.44	452	93.6	460	36.1	1
	1200	326T	ECP4117T	6,562	SD	30.44	698	93.6	230/460	36.4	1
		326T	ECP4117T-4	6,562	SD	30.44	695	93.6	460	36.4	1
40	3600	324TS	ECP4109T	5,777	SD	28.94	557	94.1	230/460	44.3	1
		324TS	ECP4109T-4	5,777	SD	28.94	653	94.1	460	44.3	1
	1800	324T	ECP4110T	5,040	SD	30.44	647	94.1	230/460	47.7	1
		324T	ECP4110T-4	5,040	SD	30.44	658	94.1	460	47.7	1
	1200	364T	ECP4308T	8,179	SD	33.44	865	94.1	230/460	49.4	1
		364T	ECP4308T-4	8,179	SD	33.44	893	94.1	460	49.4	1
50	3600	326TS	ECP4114T	6,054	SD	28.94	683	94.1	230/460	55.5	1
		326TS	ECP4114T-4	6,054	SD	28.94	680	94.1	460	55.5	1
	1800	326T	ECP4115T	5,916	SD	30.44	720	94.5	230/460	58.4	1
		326T	ECP4115T-4	5,916	SD	30.44	704	94.5	460	58.4	1
	1200	365T	ECP4312T	8,712	SD	33.44	899	94.1	230/460	61	1
		365T	ECP4312T-4	8,712	SD	33.44	893	94.1	460	61.7	1
60	3600	364TS	ECP4310T	8,786	SD	31.31	748	95	230/460	65.1	1
		364TS	ECP4310T-4	8,786	SD	31.31	816	95	460	65.1	1
	1800	364T	ECP4314T	7,929	SD	33.44	847	95	230/460	69	1
		364T	ECP4314T-4	7,929	SD	33.44	862	95	460	68	1
	1200	404T	ECP4403T	11,900	SD	38.31	1,257	94.5	230/460	72	1
		404T	ECP4403T-4	11,900	SD	38.31	1,308	95	460	69	1

(a) See notes on inside back flap and pages 5-6.

All ratings are 1.15 service factor at 40°C ambient. All ratings meet 50°C ambient at 1.00 service factor and weatherproof intent of IEEE 45 and USCG 259 marine duty (below deck).

Custom TEFC motors available through 2,250 Hp; Open and WPII custom motors through 15,000 Hp. Contact your Baldor•Reliance Sales Representative.

**FOR OTHER 208-230/460 VOLT REQUIREMENTS, PLEASE SEE DIRTY DUTY MOTORS ON PAGE 75.**

■ Cast Iron Frame

General Information

Premium Efficient Super-E® Motors

Single Phase Motors

General Purpose Industrial Motors

Severe Duty Motors

Washdown Duty Motors

Explosion Proof Motors

Pump Motors

Commercial Motors

HVAC Motors

Severe Duty, Three Phase, 460 & 230/460 Volts, Foot Mounted

Hp	RPM	NEMA Frame	Catalog Number	List Price	Mult. Sym.	"C" Dim.	Aprx. Wt. (lb)	Full Load Efficiency	Voltage	Full Load Amps	Notes (a)	
75	3600	365TS	ECP4313T	9,822	SD	31.31	964	95	230/460	80.7	1	
		365TS	ECP4313T-4	9,822	SD	31.31	911	95	460	80.7	1	
	1800	365T	ECP4316T	9,265	SD	33.44	931	95.4	230/460	85.9	1	
		365T	ECP4316T-4	9,265	SD	33.44	887	95.4	460	85.9	1	
	1200	405T	ECP4404T	14,483	SD	38.31	1,305	95	230/460	88	1	
		405T	ECP4404T-4	14,483	SD	38.31	1,160	95	460	86.9	1	
100	3600	405TS	ECP4402T	12,346	SD	35.31	1,119	93.6	230/460	116	1	
		405TS	ECP4402T-4	12,346	SD	35.31	1,266	95	460	110	1	
	1800	405T	ECP4400T-4	12,162	SD	38.31	1,343	95.4	460	112	1	
		405TS	ECP4400TS-4	12,162	SD	35.31	1,292	95.4	460	112	1	
	1200	444T	ECP4409T-4	15,930	SD	44.62	1,765	95	460	115	1	
		444TS	ECP4412T	14,507	SD	40.88	1,654	94.5	230/460	144	1	
125	3600	444TS	ECP4412T-4	14,507	SD	40.88	1,712	95.4	460	137	1	
		444T	ECP4410T-4	14,378	SD	44.62	1,781	95.8	460	139	1	
	1800	444T	ECP4410T-4	14,378	SD	44.62	1,781	95.8	460	139	1	
		445T	ECP4411T-4	17,996	SD	44.62	1,884	95.4	460	143	1	
150	3600	445TS	ECP4413T	17,007	SD	40.88	1,634	94.5	460	173	1	
		445TS	ECP4413T-4	17,007	SD	40.88	1,921	96.2	460	164	1	
	1800	445T	ECP4406T-4	16,844	SD	44.62	1,922	96.2	460	165	1	
		445T	ECP44156T-4	20,290	SD	48.40	2,006	95.4	460	170	1	
	1200	447T	ECP44156TR-4	20,290	SD	48.40	2,048	96.2	460	173	1,5	
		447TS	ECP44202T-4	20,139	SD	40.88	1,986	96.2	460	222	1	
200	3600	447TS	ECP4416T-4	20,139	SD	44.16	2,129	96.2	460	222	1	
		447T	ECP4407T-4	20,263	SD	48.40	2,417	96.2	460	221	1,27	
	1800	447T	ECP4407TR-4	20,555	SD	48.40	2,077	96.2	460	221	1,5	
		447TS	ECP4407TS-4	20,555	SD	44.65	2,358	96.2	460	221	1,27	
	1200	449T	ECP44206T-4	26,578	SD	53.40	2,809	96.2	460	223	1,27	
		449T	ECP44206TR-4	26,578	SD	53.40	2,848	96.2	460	223	1,5	
	250	3600	449TS	ECP44252T-4	30,796	SD	44.65	2,424	96.2	460	275	1,27
			449T	ECP4408TR-4	25,714	SD	53.40	2,764	96.2	460	272	1,5
1800		449T	ECP4408T-4	25,714	SD	53.40	2,745	96.2	460	272	1,27	
		449T	ECP44256T-4	37,079	SD	53.40	2,973	96.2	460	283	1,27	
1200	449T	ECP44256TR-4	37,079	SD	53.40	2,999	96.2	460	283	1,5		
	300	449TS	ECP44302T-4	45,010	SD	49.65	2,500	96.2	460	326	1,27	
1800		449T	ECP44304TR-4	35,442	SD	53.40	2,925	96.5	460	326	1,5	
		449T	ECP44304T-4	35,442	SD	53.40	2,853	96.5	460	326	1,27	
350	3600	449TS	ECP44352T-4	54,025	SD	49.65	2,848	96.2	460	375	1,27	
		449T	ECP44354T-4	42,529	SD	53.40	3,041	96.2	460	392	1,27	
	1200	5011LY	ECP50356L-4	58,658	LM	72.05	5,732	95.8	460	386	1,27,64	
400	3600	449TS	ECP44402T-4	63,206	SD	49.65	2,845	96.5	460	435	1,27	
		L449T	ECP44404T-4	53,119	SD	60.13	3,459	95.8	460	442	1,27,64	

(a) See notes on inside back flap and pages 5-6.

All ratings are 1.15 service factor at 40°C ambient. All ratings meet 50°C ambient at 1.00 service factor and weatherproof intent of IEEE 45 and USCG 259 marine duty (below deck).

Custom TEFC motors available through 2,250 Hp; Open and WPll custom motors through 15,000 Hp. Contact your Baldor•Reliance Sales Representative.

**FOR OTHER 208-230/460 VOLT REQUIREMENTS, PLEASE SEE DIRTY DUTY MOTORS ON PAGE 75.**

■ Cast Iron Frame

General Information

Premium Efficient Super-E® Motors

Single Phase Motors

General Purpose Industrial Motors

Severe Duty Motors

Washdown Duty Motors

Explosion Proof Motors

Pump Motors

Commercial Motors

HVAC Motors

BALDOR • RELIANCE

Severe Duty,  
Three Phase,  
575 Volts,  
Foot Mounted

1 thru 200 Hp

NEMA 143T thru 447T



**Applications:** Petro-chemical plants, mines, foundries, pulp and paper plants, waste management facilities, chemical plants, tropical climates and other processing industry applications requiring protection against corrosion caused by severe environmental operating conditions.

**Features:** ECP / XEX motors have 1.15 Service Factor, corrosion resistant epoxy finish, regreasable ball or roller bearings, oversized rotatable cast iron conduit box, cast iron frames, V-Ring shaft seal, moisture resistant copper windings, Class F insulation, tropicalization, stainless steel nameplate and corrosion resistant hardware. NEMA Premium® efficiency and 3-year warranty.

Hp	RPM	NEMA Frame	Catalog Number	List Price	Mult. Sym.	"C" Dim.	Aprx. Wt. (lb)	Full Load Efficiency	Voltage	Full Load Amps	Notes (a)
1	1800	143T	ECP3581T-5	878	SD	12.88	60	86.5	575	1.1	1
1 1/2	1800	145T	ECP3584T-5	895	SD	12.88	65	86.5	575	1.6	1
2	1800	145T	ECP3587T-5	934	SD	12.88	68	86.5	575	2.2	1
3	1800	L182T	ECP3661T-5	1,182	SD	15.93	103	89.5	575	3.2	1
	1200	213T	ECP3764T-5	1,660	SD	19.32	186	89.5	575	4	1
5	1800	L184T	ECP3665T-5	1,203	SD	15.93	121	89.5	575	5.2	1
	1200	L215T	ECP3768T-5	1,682	SD	19.32	205	89.5	575	6.4	1
7 1/2	1800	213T	ECP3770T-5	1,515	SD	19.32	178	91.7	575	8	1
	1200	254T	ECP2276T-5	2,407	SD	24.69	267	91.7	575	8.7	1
10	1800	L215T	ECP3774T-5	1,814	SD	19.32	215	91.7	575	9.52	1
	1200	256T	ECP2332T-5	3,127	SD	24.69	286	91.7	575	11.5	1
15	1800	254T	ECP2333T-5	2,311	SD	24.69	255	92.4	575	14.4	1
	1200	284T	ECP4100T-5	3,585	SD	27.93	425	92.4	575	14.9	1
20	1800	256T	ECP2334T-5	2,479	SD	24.37	303	93	575	19.2	1
	1200	286T	ECP4102T-5	4,871	SD	27.93	452	93	575	20.6	1
25	1800	284T	ECP4103T-5	3,244	SD	27.93	427	93.6	575	23.9	1
	1200	324T	ECP4111T-5	5,090	SD	30.16	556	93	575	25.3	1
30	1800	286T	ECP4104T-5	3,852	SD	27.93	471	94.1	575	29	1
40	1800	324T	ECP4110T-5	5,040	SD	30.16	578	94.5	575	36.8	1
50	1800	326T	ECP4115T-5	5,916	SD	30.16	640	94.5	575	45.6	1
60	1800	364T	ECP4314T-5	7,929	SD	32.84	821	95	575	55	1
75	1800	365T	ECP4316T-5	9,265	SD	32.84	912	95.4	575	69.2	1
100	1800	405T	ECP4400T-5	12,162	SD	38.03	1,178	95.4	575	87	1
125	1800	444T	ECP4410T-5	14,378	SD	45.29	1,675	95.4	575	111.5	1
150	1800	445T	ECP4406T-5	16,844	SD	45.29	1,823	96.2	575	132	1
200	1800	447T	ECP4407T-5	20,263	SD	48.87	2,345	96.2	575	179	1

(a) See notes on inside back flap and pages 5-6.

MEETS NRC CANADIAN STANDARDS FOR EFFICIENCY.

■ Cast Iron Frame



**Severe Duty,  
Medium Voltage,  
Three Phase,  
2300/4000 Volts,  
Foot Mounted**

**200 thru 1500 Hp**

**NEMA 449TS thru O5812**

**Applications:** Petro-chemical plants, mines, foundries, pulp and paper plants, waste management facilities, chemical plants, tropical climates and other processing industry applications requiring protection against corrosion caused by severe environmental operating conditions.

**Features:** Super-E® Liberator design. Form coil VPI construction, high-pressure die cast aluminum rotor, all cast iron, NEMA Premium® efficiency three year warranty. Includes 100 ohm platinum winding RTDs and space heaters. Motors not convertible to roller bearing configuration. 2, 4 and 6-pole “S” motors have short shaft for coupled loads. 4-pole “L” motors have ball bearing and may be converted to roller bearing. 6-pole “L” motors have roller bearing and may be converted to ball bearing. Conversion kits on page 390.



Hp	RPM	NEMA Frame	Catalog Number	List Price	Mult. Sym.	“C” Dim.	Aprx. Wt. (lb)	Full Load Efficiency	Voltage	Full Load Amps	Notes (a)
<b>TEFC</b>											
200	3600	449TS	ECP44202T-2341	44,032	LM	48.93	2,300	94.1	2300/4160	25	1,27,64
	1800	449T	ECP44204T-2341	42,886	LM	52.65	2,349	94.1	2300/4160	26	1,27,64
250	3600	5007SY	ECP50252S-2341	70,381	LM	54.03	3,600	95	2300/4160	31	1,26,27,61,64
		G5008	ECP50252S-2340	69,280	LM	60.14	5,300	95	2300/4100	32	1,64
	1800	G5008	ECP50254L-2340	67,956	LM	64.14	4,700	95	2300/4100	33	1,27,64
		G5008	ECP50254S-2340	65,753	LM	60.14	4,700	95	2300/4100	33	1,27,64
	1200	G5010	ECP50256LR-2340	75,423	LM	71.14	5,650	95	2300/4100	34	1,27,64
		G5010	ECP50256S-2340	72,119	LM	67.14	5,550	95	2300/4100	34	1,27,64
300	3600	G5008	ECP50302S-2340	71,299	LM	60.14	5,300	95.2	2300/4100	38	1,64
	1800	G5008	ECP50304L-2340	69,616	LM	64.14	5,140	95	2300/4100	40	1,27,64
		G5008	ECP50304S-2340	67,413	LM	60.14	4,700	95	2300/4100	40	1,27,64
	1200	G5010	ECP50306LR-2340	77,709	LM	71.14	5,650	95	2300/4100	40	1,27,64
		G5010	ECP50306S-2340	74,404	LM	67.14	5,550	95	2300/4100	40	1,27,64
350	3600	G5010	ECP50352S-2340	73,020	LM	67.14	6,000	95	2300/4100	44	1,64
	1800	G5008	ECP50354L-2340	71,285	LM	64.14	6,000	95.1	2300/4100	47	1,27,64
		G5008	ECP50354S-2340	69,083	LM	60.14	4,700	95.1	2300/4100	47	1,27,64
	1200	G5012	ECP50356LR-2340	83,383	LM	79.14	6,600	95	2300/4100	46	1,27,64
		G5012	ECP50356S-2340	80,079	LM	75.14	6,500	95	2300/4100	46	1,27,64
400	3600	G5010	ECP50402S-2340	75,244	LM	67.14	6,000	95.1	2300/4100	51	1,64
	1800	G5008	ECP50404L-2340	72,989	LM	64.14	4,036	95.3	2300/4100	54	1,27,64
		G5008	ECP50404S-2340	70,786	LM	60.14	4,700	95.3	2300/4100	54	1,27,64
	1200	G5012	ECP50406LR-2340	86,197	LM	79.14	6,600	95.2	2300/4100	53	1,27,64
		G5012	ECP50406S-2340	82,893	LM	75.14	6,500	95.2	2300/4100	53	1,27,64
	450	3600	G5010	ECP50452S-2340	76,781	LM	67.14	5,500	95.3	2300/4100	57
1800		5011Y	ECP50454L-2341	75,728	LM	72.05	5,650	95.4	2300/4160	56	1,26,61,64
		G5010	ECP50454L-2340	74,627	LM	71.14	6,200	95.5	2300/4100	59	1,27,64
		G5010	ECP50454S-2340	72,424	LM	67.14	5,550	95.5	2300/4100	59	1,27,64
1200		G5012	ECP50456LR-2340	91,333	LM	79.14	6,600	95.2	2300/4100	60	1,27,64
		G5012	ECP50456S-2340	88,029	LM	75.14	6,500	95.2	2300/4100	60	1,27,64
500	3600	G5010	ECP50502S-2340	83,190	LM	67.14	5,500	95.5	2300/4100	63	1,64
	1800	G5012	ECP50504L-2340	77,508	LM	71.14	5,500	95.7	2300/4100	65	1,27,64
		G5010	ECP50504S-2340	75,305	LM	67.14	5,550	95.7	2300/4100	65	1,27,64
	1200	G5012	ECP50506LR-2340	96,195	LM	79.14	6,600	95.2	2300/4100	66	1,27,64
		G5012	ECP50506S-2340	92,891	LM	75.14	6,500	95.2	2300/4100	66	1,27,64
600	3600	G5010	ECP50602S-2340	81,615	LM	67.14	5,500	95.2	2300/4100	76	1,64
	1800	G5012	ECP50604L-2340	81,815	LM	79.14	5,500	95.4	2300/4100	79	1,27,64
		G5012	ECP50604S-2340	79,612	LM	75.14	6,500	95.4	2300/4100	79	1,27,64
	1200	G5012	ECP50606LR-2340	117,274	LM	90.07	6,600	95.4	2300/4100	79	1,27,64
		G5012	ECP50606S-2340	113,969	LM	86.07	6,500	95.4	2300/4100	79	1,27,64
700	3600	G400J	ECP40702S-2340	104,667	LM	83.31	10,000	95.6	2300/4100	89	1,64
	1800	G5012	ECP50704S-2340	82,932	LM	75.14	6,500	95.6	2300/4100	92	1,27,64

(a) See notes on inside back flap and pages 5-6.

Custom TEFC motors available through 2,250 Hp; Open and WPII custom motors through 15,000 Hp. Contact your Baldor•Reliance Sales Representative.

■ Cast Iron Frame

General Information

Premium Efficient Super-E® Motors

Single Phase Motors

General Purpose Industrial Motors

Severe Duty Motors

Washdown Duty Motors

Explosion Proof Motors

Pump Motors

Commercial Motors

HVAC Motors

**Severe Duty, Medium Voltage, Three Phase, 2300/4000 Volts, Foot Mounted**

Hp	RPM	NEMA Frame	Catalog Number	List Price	Mult. Sym.	"C" Dim.	Aprx. Wt. (lb)	Full Load Efficiency	Voltage	Full Load Amps	Notes (a)
<b>TEFC (continued)</b>											
800	3600	G400J	<b>ECP40802S-2340</b>	112,459	LM	83.31	10,000	95.8	2300/4100	102	1,64
	1800	G5012	<b>ECP50804L-2340</b>	91,605	LM	79.14	5,500	95.9	2300/4100	104	1,27,64
		G5012	<b>ECP50804S-2340</b>	89,402	LM	75.14	6,500	95.9	2300/4100	104	1,27,64
900	1800	G5012	<b>ECP50904L-2340</b>	103,583	LM	86.07	6,300	96	2300/4100	118	1,27,64
1,000	1800	G400J	<b>ECP401004S-2340</b>	123,893	LM	86.07	10,000	96.1	2300/4100	129	1,27,64

<b>WPII</b>											
900	3600	O5808	<b>EM25902S-2340</b>	94,305	LM	58.50	6,700	94.5	2300/4100	120	1,27,64
1,000	3600	O5808	<b>EM251002S-2340</b>	106,775	LM	58.50	6,700	94.4	2300/4100	135	1,27,64
1,250	3600	O5810	<b>EM251252S-2340</b>	116,712	LM	66.50	7,700	95.7	2300/4100	160	1,64,88
	1800	O5810	<b>EM251254S-2340</b>	115,072	LM	63.99	8,200	95.4	2300/4100	164	1,27,64
1,500	3600	O5810	<b>EM251502S-2340</b>	120,533	LM	66.50	7,700	95.8	2300/4100	191	1,64,88
	1800	O5812	<b>EM251504S-2340</b>	123,576	LM	72.99	9,500	95.7	2300/4100	191	1,27,64

(a) See notes on inside back flap and pages 5-6.

Custom TEFC motors available through 2,250 Hp; Open and WPII custom motors through 15,000 Hp. Contact your Baldor•Reliance Sales Representative.

■ Cast Iron Frame

**F-2 Mount, Three Phase, TEFC and ODP, Foot Mounted**

**1 thru 60 Hp**

**NEMA 145T thru 364T**

**Applications:** Pumps, compressors, fans, conveyors, machine tools and other applications requiring three phase F-2 mounted motors.

**Features:** Copper windings, ball bearings, heavy-gauge steel frame with base seam-welded. EFM Super-E® motors have NEMA Premium® efficiency and 3 year warranty.



Hp	RPM	NEMA Frame	Catalog Number	List Price	Mult. Sym.	"C" Dim.	Aprx. Wt. (lb)	Full Load Efficiency	Voltage	Full Load Amps	Notes (a)
<b>Totally Enclosed Fan Cooled</b>											
15	1800	254T	<b>EFM2333T</b>	1,942	L1	23.16	255	92.4	230/460	18.5	1,30
20	1800	256T	<b>EFM2334T</b>	2,352	L1	23.16	286	93	230/460	24	1,30
25	1800	284T	<b>EFM4103T</b>	3,076	L1	27.76	392	93.6	230/460	30	1,30
30	1800	286T	<b>EFM4104T</b>	3,653	L1	27.76	444	94.1	230/460	36	1,30
<b>Open Drip Proof</b>											
1	1800	145T	<b>EFM3116T</b>	522	L1	11.12	36	85.5	208-230/460	1.4	1
1 1/2	1800	145T	<b>EFM3154T</b>	546	L1	12.12	37	88.5	208-230-460	2.1	1
2	1800	145T	<b>EFM3157T</b>	585	L1	13.00	43	86.5	208-230/460	2.7	1
3	1800	182T	<b>EFM3211T</b>	631	L1	15.00	66	90.2	230/460	4	1
5	1800	184T	<b>EFM3218T</b>	691	L1	16.50	84	90.2	230/460	6.6	1,30
7 1/2	1800	213T	<b>EFM3311T</b>	1,016	L1	16.32	111	91.7	230/460	9.6	1,30
10	1800	215T	<b>EFM3313T</b>	1,230	L1	17.45	123	91.7	230/460	12.5	1,30
15	1800	254T	<b>EFM2513T</b>	1,742	L1	21.69	234	93	230/460	17.7	1,30
20	1800	256T	<b>EFM2515T</b>	2,187	L1	21.69	237	93	230/460	23.5	1,30
25	1800	284T	<b>EFM2531T</b>	2,666	L1	23.81	332	94.1	230/460	30	1,30
30	1800	286T	<b>EFM2535T</b>	2,915	L1	25.06	372	94.1	230/460	35	1,30
40	1800	324T	<b>EFM2539T</b>	3,803	L1	26.69	477	94.5	230/460	46	1,30
50	1800	326T	<b>EFM2543T</b>	4,197	L1	27.69	472	94.5	230/460	57	1,30
60	1800	364T	<b>EFM2547T</b>	5,284	L1	30.69	782	95	230/460	68	1,30

(a) See notes on inside back flap and pages 5-6.

■ Cast Iron Frame

**Explosion Proof,  
Three Phase,  
Foot Mounted**

**1 thru 60 Hp**

**NEMA 143T thru 364T**

**Applications:** Ideal for use where hazardous fumes or dust may be present.



**Features:** U.L. and CSA approved for Class I, Group D and Class I, Group C & D and Class II, Group F & G. Check number in circle beside catalog number for individual listings. Corrosion resistant epoxy finish. Shipped with U.L. and CSA approved cast conduit box assembled to each motor. 1.00 Service Factor. EM Super-E® explosion proof motors have NEMA Premium® efficiency and 3 year warranty.

Hp	RPM	NEMA Frame	Catalog Number	XP <sup>(a)</sup> Cls/Grp	List Price	Mult. Sym.	"C" Dim.	Aprx. Wt. (lb)	Full Load Efficiency	Voltage	Full Load Amps	Notes <sup>(b)</sup>
1	1800	143T	EM7014T	Ⓢ	1,066	L1	15.23	49	87.5	230/460	1.5	2,19
		143T	EM7114T-C	Ⓜ	1,216	L1	16.28	127	87.5	208-230/460	1.5	2,19
1 1/2	1800	145T	EM7034T	Ⓢ	1,104	L1	16.10	56	88.5	230/460	2.1	2,19
		145T	EM7134T-C	Ⓜ	1,244	L1	16.28	85	88.5	230/460	2.1	2
2	1800	145T	EM7037T	Ⓢ	1,204	L1	16.10	61	86.5	208-230/460	2.7	2
		145T	EM7137T-C	Ⓜ	1,279	L1	16.28	85	88.5	208-230/460	2.7	2
3	1800	182T	EM7142T-C	Ⓜ	1,383	L1	17.56	136	88.5	230/460	4	2,19
5	1800	184T	EM7144T-C	Ⓜ	1,667	L1	17.56	152	90.2	230/460	6.5	2,19
7 1/2	1800	213T	EM7147T-C	Ⓜ	2,086	L1	19.91	225	91.7	230/460	9.5	2,19
10	1800	215T	EM7170T-C	Ⓜ	2,899	L1	19.91	252	92.4	230/460	12.5	2,19
15	1800	254T	EM7054T	Ⓢ	3,159	L1	25.50	370	92.4	230/460	18	2,19
		254T	EM7054T-C	Ⓜ	3,236	L1	25.50	370	92.4	230/460	18	2,19
20	1800	256T	EM7056T	Ⓢ	4,093	L1	25.50	393	93	230/460	24	2,19
		256T	EM7056T-C	Ⓜ	4,179	L1	25.50	393	93	230/460	24	2,19
25	1800	284T	EM7058T	Ⓢ	4,966	L1	28.61	542	93.6	230/460	30.5	2,19
		284T	EM7058T-C	Ⓜ	5,063	L1	28.61	564	93.6	230/460	30.5	2,19
30	1800	286T	EM7060T	Ⓢ	6,054	L1	28.61	567	94.1	230/460	36	2,19
		286T	EM7060T-C	Ⓜ	6,154	L1	28.61	589	94.1	230/460	36	2,19
40	1800	324T	EM7062T	Ⓢ	8,114	L1	32.00	767	94.5	230/460	46	2,19
		324T	EM7062T-C	Ⓜ	8,224	L1	32.12	834	94.5	230/460	46	2,19
50	1800	326T	EM7064T	Ⓢ	9,438	L1	32.00	783	94.5	230/460	57	2,19
		326T	EM7064T-C	Ⓜ	9,549	L1	32.12	851	94.5	230/460	57	2,19
60	1800	364T	EM7066T	Ⓢ	10,557	L1	33.25	965	94.5	230/460	69	2,19
		364T	EM7066T-C	Ⓜ	10,674	L1	33.25	989	94.5	230/460	69	2,19

<sup>(a)</sup> See explosion proof symbols on inside back flap.

<sup>(b)</sup> See notes on inside back flap and pages 5-6.

■ Cast Iron Frame

**CAUTION:** Explosion-proof motors have a tight fit between mating parts to ensure the integrity of the explosion-proof enclosure. This can lead to an accumulation of moisture inside the motors due to condensation. Care should be used when selecting an explosion-proof motor, especially when installed outdoors and on intermittent duty. Consider explosion-proof motors on pages 92-94 for outdoor applications. These explosion-proof motors are not suitable for use with adjustable speed drives, inverter duty explosion-proof motors must be used. See page 206.

General Information

Premium Efficient Super-E® Motors

Single Phase Motors

General Purpose Industrial Motors

Severe Duty Motors

Washdown Duty Motors

Explosion Proof Motors

Pump Motors

Commercial Motors

HVAC Motors

BALDOR • RELIANCE

**Explosion Proof,  
Three Phase, Class I,  
Grp. D, Class II,  
Grp. E, F & G**

**3 thru 150 Hp**

**NEMA 182T thru 445T**

**Applications:** Harsh industrial environments that contain hazardous gas and vapor, dust, fibers, filings or other material that may have explosive properties.

**Features:** Designed with Super-E NEMA Premium® efficiency, Severe Duty, XEX features, 1.15 service factor, UL and CSA approved for Class I, Group D, Class 2, Group E, F & G, T3C.



General Information

Premium Efficient Super-E® Motors

Single Phase Motors

General Purpose Industrial Motors

Severe Duty Motors

Washdown Duty Motors

Explosion Proof Motors

Pump Motors

Commercial Motors

HVAC Motors

Hp	RPM	NEMA Frame	Catalog Number	XP <sup>(a)</sup> Cls/Grp	List Price	Mult. Sym.	"C" Dim.	Aprx. Wt. (lb)	Full Load Efficiency	Voltage	Full Load Amps	Notes <sup>(b)</sup>
3	1800	L182T	P18G534	ⓐ	1,488	SD	15.62	149	89.5	230/460	4.2	1
	3600	L184T	P18G583	ⓐ	1,739	SD	15.62	146	88.5	230/460	6	1
5	1800	L184T	P18G535	ⓐ	1,650	SD	17.12	151	89.5	230/460	6.6	1
	1800	213T	P21G545	ⓐ	2,274	SD	19.25	226	91.7	230/460	9.4	1
7 1/2	1800	213T	P21G545	ⓐ	2,274	SD	19.25	226	91.7	230/460	9.4	1
	3600	215T	P21G582	ⓐ	2,488	SD	19.25	210	91	230/460	11.1	1
10	1800	L215T	P21G546	ⓐ	2,321	SD	20.12	231	91.7	230/460	11.9	1
	1800	254T	P25G539	ⓐ	3,142	SD	24.56	357	92.4	460	18.1	1
15	1800	254T	P25G545	ⓐ	3,142	SD	24.56	357	92.4	230/460	18.1	1
	3600	256T	P25G581	ⓐ	3,875	SD	24.56	402	91.7	230/460	22.3	1
20	1800	256T	P25G540	ⓐ	3,582	SD	24.56	383	93	460	24	1
	1800	256T	P25G546	ⓐ	3,582	SD	24.56	374	93	230/460	24	1
25	1800	284T	P28G507	ⓐ	4,706	SD	27.44	512	93.6	460	29.7	1
	1800	284T	P28G520	ⓐ	4,706	SD	27.44	496	93.6	230/460	29.7	1
30	1800	286T	P28G508	ⓐ	5,282	SD	27.44	515	93.6	460	36.1	1
	1800	286T	P28G521	ⓐ	5,282	SD	27.44	491	93.6	230/460	36.1	1
40	1800	324T	P32G505	ⓐ	6,907	SD	30.44	704	94.1	460	47.7	1
	1800	324T	P32G515	ⓐ	6,907	SD	30.44	732	94.1	230/460	47.7	1
50	1800	326T	P32G516	ⓐ	7,779	SD	30.44	785	94.5	230/460	58.4	1
60	1800	364T	P36G563	ⓐ	10,882	SD	33.44	984	95	460	68	1
75	1800	365T	P36G564	ⓐ	12,775	SD	33.44	973	95.4	460	86	1
100	1800	405T	P40G292	ⓐ	15,562	SD	38.31	1,404	95.4	460	112	1
125	1800	444T	P44G435	ⓐ	20,340	SD	44.62	1,908	95.8	460	139	1
150	1800	445T	P44G438	ⓐ	23,208	SD	44.62	2,048	96.2	460	165	1

<sup>(a)</sup> See explosion proof symbols on inside back flap.

<sup>(b)</sup> See notes on inside back flap and pages 5-6.

These explosion-proof motors are not suitable for use with adjustable speed drives. Inverter duty explosion-proof motors must be used. See page 206.

■ Cast Iron Frame

**Washdown Duty,  
Three Phase,  
Totally Enclosed**

**1 thru 20 Hp**

**NEMA 56C thru 256TC**

**Applications:** Food processing and other applications where motors receive washdown on a regular basis.



**Features:** 300 series stainless steel hardware, moisture sealant on bolt heads, between frame and endplates. Neoprene gaskets. Double sealed ball bearings. Lip and V-Ring seal on drive end; slinger on ODE of TEFC motors. Stainless steel shaft extension. Electrostatically applied epoxy finish. Class F insulation. Tropicalized. EWDM, CEWDM and VEWDM Super-E® motors have NEMA Premium® efficiency and 3 year warranty.

Hp	RPM	NEMA Frame	Enclosure	Catalog Number	List Price	Mult. Sym.	"C" Dim.	Aprx. Wt. (lb)	Full Load Efficiency	Voltage	Full Load Amps	Notes (a)
<b>Foot Mounted</b>												
1	1800	143T	TENV	<b>EWDM3546T</b>	780	WD	12.12	42	86.5	208-230/460	1.4	1,60
1 1/2	1800	145T	TENV	<b>EWDM3554T</b>	857	WD	13.00	47	86.5	230/460	2	1,30,60
2	1800	145T	TEFC	<b>EWDM3558T</b>	1,006	WD	14.18	45	86.5	208-230/460	2.7	1
3	1800	182T	TEFC	<b>EWDM3611T</b>	1,257	WD	16.54	68	89.5	208-230/460	4.1	1
5	1800	184T	TEFC	<b>EWDM3615T</b>	1,431	WD	18.03	89	90.2	230/460	6.5	1,30
7 1/2	1800	213T	TEFC	<b>EWDM3710T</b>	1,791	WD	19.04	141	91.7	230/460	9.4	1,30
10	1800	215T	TEFC	<b>EWDM3714T</b>	1,951	WD	20.54	158	92.4	230/460	12.5	1,30
<b>C-Face, Foot Mounted</b>												
1	3600	56C	TEFC	<b>CEWDM3545</b>	875	WD	12.24	34	84	230/460	1.4	1,60
	1800	56C	TENV	<b>CEWDM3546</b>	878	WD	12.94	44	87.5	230/460	1.4	1
		143TC	TENV	<b>CEWDM3546T</b>	897	WD	12.13	40	86.5	208-230/460	1.4	1,60
1 1/2	1200	56C	TEFC	<b>CEWDM3556</b>	986	WD	13.24	41	82.5	208-230/460	1.8	1,60
	3600	56C	TENV	<b>CEWDM3550</b>	898	WD	12.07	44	85.5	208-230/460	2	1,60
	1800	145TC	TENV	<b>CEWDM3554T</b>	939	WD	13.00	48	86.5	230/460	2	1,30,60
2	3600	56HCY	TEFC	<b>CEWDM3555</b>	972	WD	14.12	47	86.5	208-230/460	2.5	1
		145TC	TEFC	<b>CEWDM3555T</b>	991	WD	14.17	51	86.5	208-230/460	2.5	1
		145TC	TEFC	<b>CEWDM3558T</b>	1,034	WD	14.17	47	86.5	208-230/460	2.7	1
3	3600	145TC	TEFC	<b>CEWDM3559T</b>	1,221	WD	15.55	59	86.5	230/460	3.6	1,30
	1800	182TC	TEFC	<b>CEWDM3611T</b>	1,359	WD	16.54	75	89.5	208-230/460	4.1	1
5	3600	184TC	TEFC	<b>CEWDM3613T</b>	1,617	WD	16.54	81	90.2	208-230/460	5.6	1
	1800	184TC	TEFC	<b>CEWDM3615T</b>	1,539	WD	18.04	96	90.2	230/460	6.5	1,30
7 1/2	3600	213TC	TEFC	<b>CEWDM3709T</b>	2,278	WD	19.78	139	91	208-230/460	8.6	1
	1800	213TC	TEFC	<b>CEWDM3710T</b>	1,948	WD	19.78	129	91.7	230/460	9.4	1,30
10	3600	215TC	TEFC	<b>CEWDM3711T</b>	2,507	WD	19.78	151	91.7	230/460	11.2	1,30
	1800	215TC	TEFC	<b>CEWDM3714T</b>	2,215	WD	21.27	158	92.4	230/460	12.5	1
15	3600	215TC	TEFC	<b>CEWDM3713T</b>	3,150	WD	21.26	174	91	230/460	16.6	1
		254TC	TEFC	<b>CEWDM23994T</b>	4,425	WD	21.94	158	91	230/460	16.6	1
20	1800	254TC	TEFC	<b>CEWDM23933T</b>	4,356	WD	23.57	226	92.4	230/460	18	1
	3600	256TC	TEFC	<b>CEWDM41906T</b>	5,080	WD	23.57	242	92.4	230/460	22.5	1
		1800	256TC	TEFC	<b>CEWDM23934T</b>	5,052	WD	23.57	280	93	230/460	24

(a) See notes on inside back flap and pages 5-6.

General Information

Premium Efficient Super-E® Motors

Single Phase Motors

General Purpose Industrial Motors

Severe Duty Motors

Washdown Duty Motors

Explosion Proof Motors

Pump Motors

Commercial Motors

HVAC Motors



# Super-E Stainless Steel, Three Phase, Totally Enclosed, C-Face

1/2 thru 10 Hp

NEMA 56C thru 215TC

**Applications:** Food processing, packaging, outdoor and highly corrosive environments.

**Features:** Class F insulated motor with 1.15 service factor or higher that operates within class "B" temperature limits at rated horsepower. All external surfaces 300 series stainless steel: motor frame, endplates, conduit box, shaft and base. Moisture resistant 200°C ISR® magnet wire. Hydrophobic aspiration system eliminates condensation from inside the motor. Endplate rabbets have O-ring seals to band. Conduit box is welded to the motor frame. Patented bearing seal to protect motor bearings, inside and out. Epoxy encapsulation prevents any moisture from reaching the windings as well as potting the passage between the band and the conduit box. Nameplate information is laser etched on the band. Catalog numbers also etched on both sides. Especially effective in highly corrosive environments where paint or other finishes do not hold up. NEMA Premium® efficiency and 3-year warranty.



Hp	RPM	NEMA Frame	Enclosure	Catalog Number	List Price	Mult. Sym.	"C" Dim.	Aprx. Wt. (lb)	Full Load Efficiency	Voltage	Full Load Amps	Notes (a)
<b>Foot Mounted</b>												
1/2	3600	56C	TENV	<b>CSSEWDM3537</b>	1,154	WD	11.71	47	84	208-230/460	0.7	1,60,77
	1800	56C	TENV	<b>CSSEWDM3538</b>	1,173	WD	11.71	47	81.5	208-230/460	0.75	1,60,77
3/4	3600	56C	TENV	<b>CSSEWDM3541</b>	1,195	WD	11.71	51	86.5	208-230/460	1	1,60,77
	1800	56C	TENV	<b>CSSEWDM3542</b>	1,213	WD	12.71	55	84	208-230/460	1	1,60,77
1	3600	56C	TENV	<b>CSSEWDM3545</b>	1,256	WD	12.71	54	82.5	208-230/460	1.4	1,60,77
		56C	TENV	<b>CSSEWDM3546</b>	1,268	WD	12.71	54	87.5	208-230/460	1.4	1,60,77
	1800	143TC	TENV	<b>CSSEWDM3546T</b>	1,280	WD	12.77	56	87.5	208-230/460	1.4	1,60,77
1 1/2	3600	56C	TENV	<b>CSSEWDM3550</b>	1,273	WD	13.59	62	85.5	208-230/460	1.8	1,60,77
		145TC	TENV	<b>CSSEWDM3550T</b>	1,283	WD	13.65	64	85.5	208-230/460	1.8	1,60,77
	1800	56C	TEFC	<b>CSSEWDM3554</b>	1,279	WD	14.77	61	88.5	208-230/460	2.1	1,77
		145TC	TEFC	<b>CSSEWDM3554T</b>	1,291	WD	14.81	62	88.5	208-230/460	2.1	1,77
2	3600	145TC	TEFC	<b>CSSEWDM3555T</b>	1,540	WD	14.81	71	86.5	208-230/460	2.5	1,77
		56C	TEFC	<b>CSSEWDM3558</b>	1,553	WD	14.77	61	85.5	208-230/460	2.8	1,77
	1800	145TC	TEFC	<b>CSSEWDM3558T</b>	1,563	WD	14.83	61	85.5	208-230/460	2.8	1,77
3	3600	145TC	TEFC	<b>CSSEWDM3559T</b>	1,875	WD	16.19	79	86.5	208-230/460	3.7	1,77
	1800	182TC	TEFC	<b>CSSEWDM3611T</b>	1,888	WD	17.75	101	89.5	208-230/460	4	1,77
5	3600	184TC	TEFC	<b>CSSEWDM3613T</b>	2,050	WD	17.75	107	89.5	208-230/460	5.6	1,77
	1800	184TC	TEFC	<b>CSSEWDM3615T</b>	2,066	WD	19.25	123	90.2	208-230/460	6.4	1,77
7 1/2	3600	213TC	TEFC	<b>CSSEWDM3709T</b>	2,389	WD	20.43	178	91	208-230/460	8.3	1,77
	1800	213TC	TEFC	<b>CSSEWDM3710T</b>	2,439	WD	21.62	182	91.7	230/460	9.5	1,30,77
10	3600	215TC	TEFC	<b>CSSEWDM3711T</b>	2,713	WD	21.62	154	91.7	208-230/460	10.6	1,77
	1800	215TC	TEFC	<b>CSSEWDM3714T</b>	2,877	WD	23.06	187	92.4	208-230/460	12.5	1,77
<b>Footless</b>												
1/2	3600	56C	TENV	<b>VSSEWDM3537</b>	1,132	WD	11.71	46	84	208-230/460	0.7	1,60,77
	1800	56C	TENV	<b>VSSEWDM3538</b>	1,151	WD	11.71	47	81.5	208-230/460	0.75	1,60,77
3/4	3600	56C	TENV	<b>VSSEWDM3541</b>	1,173	WD	11.71	50	86.5	208-230/460	1	1,60,77
	1800	56C	TENV	<b>VSSEWDM3542</b>	1,191	WD	12.71	54	84	208-230/460	1	1,60,77
1	3600	56C	TENV	<b>VSSEWDM3545</b>	1,233	WD	12.71	53	82.5	208-230/460	1.4	1,60,77
		56C	TENV	<b>VSSEWDM3546</b>	1,246	WD	12.71	54	87.5	208-230/460	1.4	1,60,77
	1800	143TC	TENV	<b>VSSEWDM3546T</b>	1,258	WD	12.77	54	87.5	208-230/460	1.4	1,60,77
1 1/2	3600	56C	TENV	<b>VSSEWDM3550</b>	1,250	WD	13.59	62	85.5	208-230/460	1.8	1,60,77
		145TC	TENV	<b>VSSEWDM3550T</b>	1,261	WD	13.65	63	85.5	208-230/460	1.8	1,60,77
	1800	56C	TEFC	<b>VSSEWDM3554</b>	1,257	WD	14.77	61	88.5	208-230/460	2.1	1,77
		145TC	TEFC	<b>VSSEWDM3554T</b>	1,268	WD	14.83	61	88.5	208-230/460	2.1	1,77
2	3600	145TC	TEFC	<b>VSSEWDM3555T</b>	1,519	WD	14.83	65	86.5	208-230/460	2.5	1,77
		56C	TEFC	<b>VSSEWDM3558</b>	1,531	WD	14.77	61	85.5	208-230/460	2.8	1,77
	1800	145TC	TEFC	<b>VSSEWDM3558T</b>	1,541	WD	14.83	61	85.5	208-230/460	2.8	1,77

(a) See notes on inside back flap and pages 5-6.

**Close-Coupled Pump, Three Phase, TEFC and ODP, C-Face**

**1 thru 50 Hp**

**NEMA 143JM thru 326JM**

**Applications:** Applications for circulating and transferring fluids. Mounting designed to support pump unit.

**Features:** Over-sized ball bearings with locked drive end construction to minimize endplay. Open drip-proof, close coupled pump motors are furnished with rodent screens at both ends. EJMM Super-E® motors have NEMA Premium® efficiency.



Hp	RPM	NEMA Frame	Catalog Number	List Price	Mult. Sym.	"C" Dim.	Aprx. Wt. (lb)	Full Load Efficiency	Voltage	Full Load Amps	Notes (a)
<b>Totally Enclosed Fan Cooled, Foot Mounted</b>											
1	1800	143JM	EJMM3546T	696	L1	15.43	44	87.5	208-230/460	1.5	1
1 1/2	3600	143JM	EJMM3550T	691	L1	15.43	47	85.5	208-230/460	2	1
	1800	145JM	EJMM3554T	741	L1	16.31	49	88.5	208-230/460	2.1	1
2	3600	145JM	EJMM3555T	742	L1	16.31	54	86.5	208-230/460	2.5	1
	1800	145JM	EJMM3558T	757	L1	16.31	52	86.5	208-230/460	2.7	1
3	3600	145JM	EJMM3559T	797	L1	17.68	61	87.5	208-230/460	3.5	1
		182JM	EJMM3610T	798	L1	18.19	66	87.5	208-230/460	3.5	1
	1800	182JM	EJMM3611T	878	L1	18.06	75	89.5	208-230/460	4.1	1
5	3600	184JM	EJMM3613T	947	L1	18.06	81	90.2	208-230/460	5.6	1
	1800	184JM	EJMM3615T	881	L1	19.56	95	90.2	230/460	6.5	1,30
7 1/2	3600	213JM	EJMM3709T	1,240	L1	19.81	142	91	230/460	8.9	1
	1800	213JM	EJMM3710T	1,341	L1	20.94	136	91.7	230/460	9.4	1,30
10	3600	215JM	EJMM3711T	1,425	L1	20.94	154	91.7	230/460	11.2	1,30
	1800	215JP	EJPM3714T	1,576	L1	26.27	165	92.4	208-230/460	12.5	1
		215JM	EJMM3714T	1,576	L1	22.44	158	92.4	208-230/460	12.5	1
15	3600	254JM	EJMM2394T	2,603	L1	25.16	248	91.7	230/460	17.2	1,30
		254JP	EJPM2394T	2,603	L1	27.70	270	91.7	230/460	17.2	1,30
	1800	254JM	EJMM2333T	2,580	L1	25.16	255	92.4	230/460	18.5	1,30
		254JP	EJPM2333T	2,580	L1	27.70	255	92.4	230/460	18.5	1,30
20	3600	256JM	EJMM4106T	2,866	L1	25.16	282	92.4	230/460	22.5	1,30
		256JP	EJPM4106T	2,866	L1	27.70	265	92.4	230/460	22.5	1,30
	1800	256JM	EJMM2334T	2,911	L1	25.16	303	93	230/460	24	1,30
		256JP	EJPM2334T	2,911	L1	27.70	303	93	230/460	24	1,30
25	3600	284JM	EJMM4107T	3,331	L1	26.84	383	93	230/460	28	1,30
		284JP	EJPM4107T	3,331	L1	29.72	286	93	230/460	28	1,30
	1800	284JM	EJMM4103T	3,450	L1	28.64	418	93.6	230/460	30	1,30
		284JP	EJPM4103T	3,450	L1	29.72	410	93.6	230/460	30	1,30
30	3600	286JM	EJMM4108T	4,581	L1	28.64	382	93	230/460	33	1
		286JP	EJPM4108T	4,581	L1	29.72	435	93	230/460	33	1
	1800	286JM	EJMM4104T	4,088	L1	28.64	451	94.1	230/460	36	1,30
		286JP	EJPM4104T	4,088	L1	29.72	460	94.1	230/460	36	1,30
40	3600	324JM	EJMM4109T	5,188	L1	30.53	517	93.6	230/460	44	1,30
		324JP	EJPM4109T	5,188	L1	33.51	489	93.6	230/460	44	1,30
	1800	324JM	EJMM4110T	5,315	L1	30.53	617	94.5	230/460	46	1,30
		324JP	EJPM4110T	5,315	L1	33.51	618	94.5	230/460	46	1,30
50	3600	326JM	EJMM4114T	6,278	L1	30.53	575	94.1	230/460	54	1,30
		326JP	EJPM4114T	6,278	L1	33.51	630	94.1	230/460	54	1,30
	1800	326JM	EJMM4115T	6,388	L1	30.53	633	94.5	230/460	57	1,30
		326JP	EJPM4115T	6,388	L1	33.51	635	94.5	230/460	57	1,30

(a) See notes on inside back flap and pages 5-6.

■ Cast Iron Frame

General Information

Premium Efficient Super-E® Motors

Single Phase Motors

General Purpose Industrial Motors

Severe Duty Motors

Washdown Duty Motors

Explosion Proof Motors

Pump Motors

Commercial Motors

HVAC Motors

Close-Coupled Pump, Three Phase, TEFC and ODP, C-Face

Hp	RPM	NEMA Frame	Catalog Number	List Price	Mult. Sym.	"C" Dim.	Aprx. Wt. (lb)	Full Load Efficiency	Voltage	Full Load Amps	Notes (a)
<b>Totally Enclosed Fan Cooled, Footless</b>											
1	1800	143JM	VEJMM3546T	581	L1	15.43	41	87.5	208-230/460	1.5	1
1 1/2	1800	145JM	VEJMM3554T	613	L1	16.31	43	88.5	208-230/460	2.1	1
2	1800	145JM	VEJMM3558T	734	L1	16.31	49	86.5	208-230/460	2.5	1
3	1800	182JM	VEJMM3611T	838	L1	18.05	70	89.5	208-230/460	4.1	1
5	1800	184JM	VEJMM3615T	967	L1	19.70	90	90.2	208-230/460	6.5	1
7 1/2	1800	213JM	VEJMM3710T	1,416	L1	20.92	128	91.7	230/460	9.4	1,30
10	1800	215JM	VEJMM3714T	1,640	L1	22.40	158	92.4	230/460	12.5	1,30
<b>Open Drip Proof, Foot Mounted</b>											
1	1800	143JM	EJMM3116T	595	L1	13.75	37	85.5	208-230/460	1.4	1
1 1/2	1800	145JM	EJMM3154T	643	L1	14.25	43	88.5	208-230-460	2.1	1
2	3600	145JM	EJMM3155T	712	L1	13.75	45	86.5	208-230/460	2.5	1
	1800	145JM	EJMM3157T	705	L1	15.13	51	86.5	208-230/460	2.7	1
3	3600	145JM	EJMM3158T	799	L1	15.13	54	87.5	230/460	3.7	1,30
	1800	182JM	EJMM3211T	779	L1	16.50	69	90.2	230/460	4	1,30
5	3600	182JM	EJMM3212T	953	L1	16.50	76	91	208-230/460	5.6	1
	1800	184JM	EJMM3218T	881	L1	18.00	90	90.2	230/460	6.6	1,30
7 1/2	3600	184JM	EJMM3219T	1,126	L1	18.00	91	90.2	208-230/460	8.4	1
	1800	213JM	EJMM3311T	1,322	L1	18.19	116	91.7	230/460	9.6	1,30
10	3600	213JM	EJMM3312T	1,451	L1	19.31	136	91.7	230/460	11.5	1,30
		213JP	EJPM3312T	1,451	L1	22.07	129	91.7	230/460	11.5	1,30
	1800	215JM	EJMM3313T	1,430	L1	19.31	163	91.7	230/460	12.5	1,30
		215JP	EJPM3313T	1,430	L1	22.07	136	91.7	230/460	12.5	1,30
15	3600	215JM	EJMM3314T	1,867	L1	19.31	147	91.7	230/460	17	1,30
		215JP	EJPM3314T	1,867	L1	22.07	154	91.7	230/460	17	1,30
	1800	254JM	EJMM2513T	2,115	L1	23.19	234	93	230/460	17.7	1,30
		254JP	EJPM2513T	2,115	L1	26.06	242	93	230/460	17.7	1,30
20	3600	254JM	EJMM2514T	2,351	L1	23.19	186	92.4	230/460	22.5	1,30
		254JP	EJPM2514T	2,351	L1	26.06	221	92.4	230/460	22.5	1,30
	1800	256JM	EJMM2515T	2,533	L1	23.19	237	93	230/460	23.5	1,30
		256JP	EJPM2515T	2,533	L1	26.06	234	93	230/460	23.5	1,30
25	3600	256JM	EJMM2516T	2,787	L1	23.19	242	93	230/460	28	1,30
		256JP	EJPM2516T	2,787	L1	26.06	252	93	230/460	28	1,30
30	1800	284JP	EJPM2531T	3,013	L1	27.57	330	94.1	230/460	30	1,30
		284JM	EJMM2534T	3,543	L1	24.69	330	93.6	230/460	34	1
	3600	284JP	EJPM2534T	3,543	L1	29.44	248	93.6	230/460	34	1
		286JP	EJPM2535T	3,610	L1	28.82	378	94.1	230/460	35	1,30
40	3600	286JM	EJMM2538T	4,266	L1	25.94	377	94.1	230/460	45	1
		286JP	EJPM2538T	4,266	L1	29.44	279	94.1	230/460	45	1
	1800	324JP	EJPM2539T	4,388	L1	29.82	475	94.5	230/460	46	1,30
		324JM	EJMM2542T	4,809	L1	27.44	447	94.1	230/460	55	1
50	3600	324JP	EJPM2542T	4,809	L1	30.32	383	94.1	230/460	55	1
		1800	326JP	EJPM2543T	5,074	L1	30.82	474	95	230/460	57
<b>Open Drip Proof, Footless</b>											
1	1800	143JM	VEJMM3116T	595	L1	15.43	40	86.5	208-230/460	1.4	1
1 1/2	1800	145JM	VEJMM3154T	638	L1	16.31	49	86.5	208-230/460	2	1
2	1800	145JM	VEJMM3157T	698	L1	16.31	50	86.5	208-230/460	2.7	1
3	1800	182JM	VEJMM3211T	766	L1	18.06	74	90.2	230/460	4	1,30
5	1800	184JM	VEJMM3218T	867	L1	18.06	87	90.2	230/460	6.6	1,30
7 1/2	1800	213JM	VEJMM3311T	1,308	L1	19.78	119	91.7	230/460	9.6	1,30
10	1800	215JM	VEJMM3313T	1,416	L1	22.41	158	92.4	208-230/460	12.5	1

(a) See notes on inside back flap and pages 5-6.

■ Cast Iron Frame

General Information

Premium Efficient Super-E® Motors

Single Phase Motors

General Purpose Industrial Motors

Severe Duty Motors

Washdown Duty Motors

Explosion Proof Motors

Pump Motors

Commercial Motors

HVAC Motors

Single Phase,  
ODP, Foot Mounted

1/4 thru 5 Hp

NEMA 48 thru 184T

**Applications:** Energy saving applications where continuous operation is required.

**Features:** Low-loss electrical grade lamination steel, heavy-gauge steel frames, three year warranty.



Hp	RPM	NEMA Frame	Catalog Number	List Price	Mult. Sym.	"C" Dim.	Aprx. Wt. (lb)	Full Load Efficiency	Voltage	Full Load Amps	Notes (a)
1/4	1800	48	EL1203	306	K	9.76	23	74	115/230	1.25	1,65
1/3	1800	56	EL1301	363	K	10.13	26	77	115/230	1.6	1,65
1/2	1800	56	EL1304	415	K	11.00	29	78.5	115/230	2.3	1,65
3/4	1800	56	EL1307	512	K	12.06	35	84	115/230	3.25	1,65
1	1800	56	EL1310	557	K	12.94	40	84	115/230	4.3	1,65
1 1/2	1800	56H	EL1319	730	K	14.00	47	85.5	115/230	6.25	1,36,65
		145T	EL1319T	757	L1	13.00	49	85.5	115/230	6.25	1,65
2	1800	182T	EL1405T	854	L1	15.87	65	82.5	115/230	8.8	1,65
3	1800	184T	EL1408T	894	L1	16.50	78	85.5	230	11.2	1,65
5	1800	184T	EL1410T	1,021	L1	18.00	95	86.5	230	19.1	1,65

(a) See notes on inside back flap and pages 5-6.

Single Phase,  
TEFC, Foot Mounted

1/4 thru 5 Hp

NEMA 48 thru 184T

**Applications:** Energy saving applications where continuous operation is required.

**Features:** Low-loss electrical grade lamination steel, heavy-gauge steel frames, three year warranty.



Hp	RPM	NEMA Frame	Catalog Number	List Price	Mult. Sym.	"C" Dim.	Aprx. Wt. (lb)	Full Load Efficiency	Voltage	Full Load Amps	Notes (a)
1/4	1800	48	EL3403	353	K	10.48	24	74	115/230	1.25	1,65
1/3	1800	56	EL3501	390	K	11.97	28	77	115/230	1.6	1,65
1/2	1800	56	EL3504	460	K	11.97	30	78.5	115/230	2.3	1,65
3/4	1800	56	EL3507	560	K	13.25	41	82.5	115/230	3.15	1,65
1	1800	56H	EL3510	643	K	13.81	44	82.5	115/230	4.25	1,36,65
1 1/2	1800	56H	EL3514	733	K	15.18	57	84	115/230	6.3	1,36,65
		145T	EL3514T	733	L1	15.55	57	84	115/230	6.3	1,65
2	1800	184T	EL3605T	1,003	L1	16.56	64	82.5	115/230	8.8	1,65
3	1800	184T	EL3609T	1,170	L1	18.06	90	85.5	230	11.8	1,65
5	1800	184T	EL3612T	1,396	L1	18.06	96	86.5	230	19.1	2,20,65

(a) See notes on inside back flap and pages 5-6.

General Information

Premium Efficient Super-E® Motors

Single Phase Motors

General Purpose Industrial Motors

Severe Duty Motors

Washdown Duty Motors

Explosion Proof Motors

Pump Motors

Commercial Motors

HVAC Motors

Single Phase, TEFC, Foot Mounted

1/12 thru 15 Hp

NEMA 42 thru 254T

**Applications:** Compressors, pumps, fans, farm equipment, conveyors, material handling equipment, machine tools and others.

**Features:** Heavy gauge steel frames and a heavy duty base seam welded to the frame, ball bearings, a "Snap Action" starting switch and gasketed conduit box and capacitor cover.



Hp	RPM	NEMA Frame	Catalog Number	List Price	Mult. Sym.	"C" Dim.	Aprx. Wt. (lb)	Full Load Efficiency	Voltage	Full Load Amps	Notes (a)
.08	1800	42	L3351	249	K	9.56	15	44	115/230	1	3,30
	3600	42	L3352	255	K	9.56	15	45	115/230	1.25	3,30
	1800	42	L3353	258	K	9.56	16	47	115/230	1.55	3,30
1/6	3600	42	L3354	267	K	9.56	16	52	115/230	1.6	3,30
	1800	42	L3355	282	K	9.56	18	51	115/230	1.8	3,30
		48	L3400	281	K	10.73	18	49	115/230	1.9	3,30
	1200	48	L3401	397	K	10.73	23	47	115/230	2.3	3,30
1/4	3600	42	L3356	285	K	9.56	18	57	115/230	2	3,30
	1800	48	EL3403	353	K	10.48	24	74	115/230	1.25	1,65
		48	L3403	289	K	10.73	20	55	115/230	2.5	3,30
		48	L3403M	331	K	10.73	20	55	115/230	2.5	3,30
	1200	48	L3404	423	K	11.35	26	48	115/230	3.2	3,30
		56	L3500	444	K	12.25	27	47	115/230	3	3,30
	1/3	3600	48	L3405	263	K	10.73	20	55	115/208-230	3
1800		48	L3406	306	K	10.73	21	60	115/230	3	3,30
		48	L3406M	348	K	10.73	22	60	115/230	3	3,30
		56	EL3501	390	K	11.97	28	77	115/230	1.6	1,65
		56	L3501	297	K	11.35	22	60	115/230	3	3,30
1200		56	L3501M	348	K	11.35	22	60	115/230	3	3,30
		48	L3407	465	K	11.35	27	54	115/230	3.7	3,30
1/2		3600	48	L3408	298	K	10.73	21	66	115/230	3.5
	56		L3503	298	K	11.35	22	66	115/230	3.5	3,30
	1800	48	L3409	341	K	11.35	26	68	115/230	3.7	3,30
		48	L3409M	409	K	11.35	27	68	115/230	3.7	3,30
		56	EL3504	460	K	11.97	30	78.5	115/230	2.3	1,65
		56	L3504	348	K	11.97	27	68	115/230	3.7	3,30
		56	L3504A	416	K	11.97	27	68	115/230	3.7	3,30
		56	L3504M	409	K	11.97	27	68	115/230	3.7	3,30
	1200	56H	L3505	660	K	12.93	39	59	115/230	4	3,30,36
	3/4	3600	56	L3506	335	K	11.97	29	66	115/230	4.8
1800		56	EL3507	560	K	13.25	41	82.5	115/230	3.15	1,65
		56	L3507	401	K	12.47	34	72	115/230	4.2	30,65
		56	L3507A	503	K	12.47	34	74	115/230	4.1	30,65
		56	L3507M	481	K	12.47	34	74	115/230	4.1	30,65
1200		56H	L3508	763	K	12.93	41	68	115/230	5	2,30,36,65
		143T	L3508T	751	L1	13.30	41	68	115/230	5	2,30,65

(a) See notes on inside back flap and pages 5-6.

General Information

Premium Efficient Super-E® Motors

Single Phase Motors

General Purpose Industrial Motors

Severe Duty Motors

Washdown Duty Motors

Explosion Proof Motors

Pump Motors

Commercial Motors

HVAC Motors



**Single Phase, TEFC, Foot Mounted**

Hp	RPM	NEMA Frame	Catalog Number	List Price	Mult. Sym.	"C" Dim.	Aprx. Wt. (lb)	Full Load Efficiency	Voltage	Full Load Amps	Notes (a)
1	3600	56H	<b>L3509</b>	388	K	12.93	37	68	115/230	5.9	3,30,36
		56H	<b>L3509M</b>	439	K	12.93	40	66	115/230	6	3,36
	1800	56H	<b>L3510A</b>	565	K	12.93	37	67	115/230	6.5	3,30,36
		56H	<b>L3510M</b>	546	K	12.93	37	67	115/230	6.5	3,30,36
		56H	<b>EL3510</b>	643	K	13.81	44	82.5	115/230	4.25	1,36,65
		56H	<b>L3510</b>	455	K	12.93	40	67	115/230	6.4	3,30,36
		143T	<b>L3510T</b>	464	L1	13.31	37	67	115/230	6.4	3,30
		143T	<b>L3510TM</b>	546	L1	13.31	37	67	115/230	6.5	3,30
	182	<b>L3601</b>	838	L1	14.31	54	72	115/230	6	3,30	
	1200	184	<b>L3607</b>	1,339	L1	15.69	71	67	115/230	7	3,30
1 1/2	3600	56H	<b>L3513</b>	520	K	12.93	41	70	115/230	8	3,30,36
		56H	<b>L3513M</b>	596	K	12.93	45	70	115/230	7.5	2,3,36
		143T	<b>L3513T</b>	511	L1	13.31	41	70	115/230	8	3,30
	1800	56H	<b>EL3514</b>	733	K	15.18	57	84	115/230	6.3	1,36,65
		56/56H	<b>L3514</b>	526	K	13.81	48	75.5	115/230	8	30,36,65
		56/56H	<b>L3514A</b>	670	K	13.81	45	75.5	115/230	8	2,36,65
		56/56H	<b>L3514M</b>	617	K	13.81	50	75.5	115/230	8	2,36,65
		145T	<b>EL3514T</b>	733	L1	15.55	57	84	115/230	6.3	1,65
		145T	<b>L3514T</b>	534	L1	14.18	48	75.5	115/230	8	30,65
		145T	<b>L3514TM</b>	617	L1	14.19	48	75.5	115/230	8	2,65
	184	<b>L3603</b>	913	L1	15.69	66	70	115/230	9.5	3,30	
	1200	184T	<b>L3613T</b>	1,395	L1	16.56	75	73	115/230	8.2	1,30,65
2	3600	56H	<b>L3515</b>	664	K	13.81	54	74	115/230	11.5	1,3,30,36
		56H	<b>L3515M</b>	696	K	13.81	51	74	115/230	11.5	2,3,36
		145T	<b>L3515T</b>	670	L1	14.19	51	74	115/230	11.5	1,3,30
	1800	56HZ	<b>L3516TM</b>	877	K	14.18	48	78	230	8.3	1,57,65
		145T	<b>L3516T</b>	853	L1	14.19	48	78	115/230	8.3	1,65
		182T	<b>L3605T</b>	762	L1	16.56	67	75.5	115/230	11.5	3,30
		182T	<b>L3605TM</b>	929	L1	16.56	71	75	115/230	11	2,3
		184T	<b>EL3605T</b>	1,003	L1	16.56	64	82.5	115/230	8.8	1,65
		184	<b>L3605</b>	1,022	L1	15.69	66	75.5	115/230	11.5	3,30
	184	<b>L3605M</b>	1,095	L1	15.69	67	75.5	115/230	11.5	3,30	
1200	215	<b>L3703</b>	2,211	L1	17.51	114	80	115/230	9.4	2,30,65	
3	3600	182T	<b>L3606T</b>	786	L1	16.56	73	76	115/230	14.5	1,3,30
		184	<b>L3606</b>	1,442	L1	15.69	70	76	115/230	14.5	1,3,30
	1800	184T	<b>EL3609T</b>	1,170	L1	18.06	90	85.5	230	11.8	1,65
		184T	<b>L3609T</b>	897	L1	16.56	79	78	115/230	14	2,20,30,65
		184T	<b>L3609TM</b>	969	L1	16.54	76	78	115/230	14.5	2,20,65
	215	<b>L3705</b>	1,743	L1	17.51	116	80	115/230	14	30,65	
1200	215	<b>L3706</b>	2,655	L1	17.51	132	82.5	115/230	14	1,30,65	
5	3600	184T	<b>L3608T</b>	1,082	L1	18.06	89	83	230	19.5	2,20,65
		184T	<b>L3608TM</b>	1,116	L1	18.05	86	83	230	19.5	2,20,65
	1800	184T	<b>EL3612T</b>	1,396	L1	18.06	96	86.5	230	19.1	2,20,65
		184T	<b>L3612TM</b>	1,127	L1	18.05	99	80	230	23	2,20,65
		213T	<b>L3708T</b>	1,069	L1	19.02	117	84	230	20.5	1,30,65
		213T	<b>L3708TM</b>	1,257	L1	19.02	135	82	230	21.5	2,65
215	<b>L3708</b>	1,782	L1	18.64	130	84	230	20.5	1,30,65		
7 1/2	3600	213T	<b>L3709T</b>	1,393	L1	17.89	121	83	230	33	2,30,65
	1800	215T	<b>L3710T</b>	1,413	L1	19.02	138	86.5	230	29	2,20,30,65
10	3600	215T	<b>L3711T</b>	1,709	L1	19.02	145	82	230	40	2,20,65
	1800	215T	<b>L3712T</b>	1,734	L1	20.52	161	86.5	230	38	2,5,20,65
15	1800	254T	<b>L1177T</b>	4,941	L1	23.16	322	86.5	230	60	2,20,65

(a) See notes on inside back flap and pages 5-6.

■ Cast Iron Frame

General Information

Premium Efficient Super-E® Motors

Single Phase Motors

General Purpose Industrial Motors

Severe Duty Motors

Washdown Duty Motors

Explosion Proof Motors

Pump Motors

Commercial Motors

HVAC Motors

BALDOR • RELIANCE

Single Phase, TEFC, C-Face, No Drip Cover

1/6 thru 10 Hp

NEMA 56C thru 215TC

**Applications:** Pumps, fans, conveyors, machine tools, gear reducers and other applications requiring a NEMA C-face motor.

**Features:** Pressure cast aluminum end plates with ribbed design for rigidity. Ball bearings with a locked drive end bearing, heavy-gauge steel frame, and gasketed conduit box and capacitor cover.



General Information

Premium Efficient Super-E® Motors

Single Phase Motors

General Purpose Industrial Motors

Severe Duty Motors

Washdown Duty Motors

Explosion Proof Motors

Pump Motors

Commercial Motors

HVAC Motors

Hp	RPM	NEMA Frame	Catalog Number	List Price	Mult. Sym.	"C" Dim.	Aprx. Wt. (lb)	Full Load Efficiency	Voltage	Full Load Amps	Notes (a)
<b>C-Face, Foot Mounted</b>											
1/4	1800	56C	CL3403	305	K	11.48	21	55	115/208-230	2.5	3
	3600	56C	CL3405	304	K	11.48	21	55	115/208-230	3	3
1/3	1800	56C	CL3501	319	K	11.35	23	60	115/230	3	3,30
	3600	56C	CL3503	320	K	11.35	24	66	115/230	3.5	3,30
1/2	1800	56C	CL3504	372	K	11.97	28	68	115/230	3.7	3,30
	3600	56C	CL3506	356	K	11.97	29	66	115/230	4.8	3,30
3/4	1800	56C	CL3507	445	K	12.47	35	72	115/230	4.2	30,65
	3600	56C	CL3509	411	K	12.25	37	68	115/230	5.9	3,30
1	1800	56C	CL3510	502	K	13.25	40	67	115/230	6.4	3,30
	3600	56C	CL3513	533	K	13.25	44	70	115/230	7.5	3,30
1 1/2	3600	56C	CL3514	596	K	14.12	49	70	115/230	7.5	30,65
		56C	CL3515	686	K	14.12	52	74	115/230	11.5	1,3,30
2	3600	145TC	CL3515T	692	L1	14.19	53	74	115/230	11.5	1,3,30
		145TC	CL3516TM	885	L1	14.19	49	78	230	8.3	1,65
3	1800	184TC	CL3619TM	1,152	L1	16.54	81	81.5	230	13.2	2,20
5	3600	184TC	CL3608TM	1,247	L1	18.05	91	83	230	19.5	2,20
		184TC	CL3612TM	1,207	L1	18.05	101	80	230	23	2,20
10	3600	215TC	CL3711T	2,029	L1	19.75	167	82	230	40	2,20
		215TC	CL3712T	2,052	L1	21.25	163	86.5	230	38	2,20
<b>C-Face, Footless</b>											
1/6	1800	56C	KL3400	297	K	11.35	18	49	115/230	1.9	3,30
	1200	56C	KL3401	415	K	11.35	23	47	115/230	2.3	3,30
1/4	1800	56C	KL3403	305	K	11.35	20	55	115/230	2.5	3,30
		56C	KL3405	281	K	11.35	21	55	115/208-230	3	3
1/3	3600	56C	VL3405	282	K	11.48	258	—	115/208-230	3	
		1800	56C	VL3501	313	K	11.35	22	60	115/230	3
1/2	3600	56C	VL3503	316	K	11.35	21	66	115/230	3.5	3,30
		1800	56C	VL3504	365	K	11.97	27	68	115/230	3.7
3/4	1200	56C	VL3505	677	K	13.25	41	59	115/230	4	3,30
		3600	56C	VL3506	351	K	11.97	29	66	115/230	4.8
1	3600	56C	VL3506A	388	K	11.97	28	66	115/230	4.8	3
		1800	56C	VL3507	419	K	12.47	34	72	115/230	4.2
1 1/2	1200	56C	VL3508	779	K	13.25	41	68	115/230	5	2,30,65
		3600	56C	VL3509	405	K	12.25	36	68	115/230	5.9
2	3600	56C	VL3509A	442	K	13.25	40	66	115/230	6	3
		1800	56C	VL3510	480	K	13.25	38	67	115/230	6.4
3	1800	143TC	VL3510T	480	L1	13.31	39	67	115/230	6.4	3,30
		3600	56C	VL3513	527	K	13.25	40	70	115/230	8
1 1/2	143TC	VL3513T	559	L1	13.31	41	70	115/230	8	3,30	
		1800	56C	VL3514	544	K	14.12	47	75.5	115/230	8
2	145TC	VL3514T	550	L1	14.18	47	75.5	115/230	8	30,65	
		3600	56C	VL3515	674	K	14.12	51	74	115/230	11.5
3	1800	145TC	VL3515T	686	L1	14.19	50	74	115/230	11.5	1,3,30
		182TC	VL3605T	974	L1	16.55	66	75.5	115/230	11.5	3,30
1	3600	184C	VL3605	1,102	L1	15.68	62	75.5	115/230	11.5	3,30
		182TC	VL3606T	1,087	L1	16.55	71	76	115/230	14.5	1,3,30
3	1800	184TC	VL3609T	1,150	L1	16.55	76	78	115/230	14	2,20,30,65

(a) See notes on inside back flap and pages 5-6.

Single Phase,  
ODP, Foot Mounted

1/6 thru 10 Hp

NEMA 48 thru 215T

**Applications:** Compressors, pumps, conveyors, machine tools, air handling, and others.

**Features:** Copper windings, dynamically balanced rotors, ball bearings, heavy-gauge steel frames, and other industrial quality features.



Hp	RPM	NEMA Frame	Catalog Number	List Price	Mult. Sym.	"C" Dim.	Aprx. Wt. (lb)	Full Load Efficiency	Voltage	Full Load Amps	Notes (a)	
1/6	1800	48	L1200	235	K	9.13	18	49	115/230	1.9	30	
	1200	48	L1201	359	K	9.38	23	47	115/230	2.3	30	
1/4	1800	48	EL1203	306	K	9.76	23	74	115/230	1.25	1,65	
		48	L1203	238	K	9.13	19	59.5	115/230	2.2	30	
		48	L1203M	274	K	9.13	20	55	115/230	2.5	30	
	1200	48	L1204	384	K	9.75	25	48	115/230	3.2	30	
		56	L1300	399	K	10.13	26	48	115/230	3.2	30	
		56	L1300M	399	K	10.13	26	48	115/230	3.2	30	
1/3	3600	48	L1205	225	K	9.13	20	55	115/208-230	3	30	
		48	L1206	274	K	9.13	21	60	115/230	3	30	
	1800	48	L1206M	308	K	9.13	22	60	115/230	3	30	
		56	EL1301	363	K	10.13	26	77	115/230	1.6	1,65	
		56	L1301	277	K	9.51	22	60	115/230	3	30	
		56	L1301M	324	K	9.51	22	60	115/230	3	30	
	1200	48	L1207	409	K	10.63	28	54	115/230	3.7	30	
		56	L1302	409	K	11.01	29	54	115/230	3.7	30	
	1/2	3600	48	L1208	249	K	9.13	22	57	115/230	3.7	30
			56	L1303	249	K	9.51	21	66	115/230	3.5	30
1800		48	L1209	344	K	9.75	24	68	115/230	3.7	30	
		48	L1209M	383	K	9.38	24	62	115/230	4.2	30	
		56	EL1304	415	K	11.00	29	78.5	115/230	2.3	1,65	
		56	L1304	306	K	9.76	24	68	115/230	3.7	30	
		56	L1304A	364	K	9.76	25	62	115/230	4.2	30	
		56	L1304M	383	K	9.76	25	62	115/230	4.2	30	
1200		56H	L1305	616	K	11.75	38	62	115/230	4.1	30,36	
3/4		3600	56	L1306	304	K	12.85	26	72	115/230	4.7	30
	56		L1306A	320	K	11.75	29	69	115/230	5.5		
	1800	56	EL1307	512	K	12.06	35	84	115/230	3.25	1,65	
		56	L1307	378	K	11.51	32	68	115/230	5.1	30	
		56	L1307A	444	K	11.51	32	68	115/230	5.1	30	
		56	L1307M	455	K	11.51	32	68	115/230	5.1	30	
	1200	56H	L1308	693	K	11.75	42	68	115/230	5	30,36,65	
	1	3600	56	L1309	319	K	11.01	31	65	115/230	7.5	30
56			L1309A	340	K	11.01	30	70	115/230	6.6		
1800		56H	L1318	452	K	11.75	39	67	115/230	6.2	30,36	
		56H	L1318M	492	K	11.75	39	67	115/230	6.2	2,36	
		56	EL1310	557	K	12.94	40	84	115/230	4.3	1,65	
		56	L1310	413	K	11.07	34	66	115/230	6.7	30	
		56H	L1310M	529	K	11.75	36	66	115/230	6.7	30,36	
		143T	L1318T	471	L1	13.00	42	67	115/230	6.2	30	
		143T	L1318TM	492	L1	12.12	39	67	115/230	6.2	2	
		182	L1401	672	L1	12.75	50	70	115/230	7	30	
182	L1401M	729	L1	12.75	48	70	115/230	7				
1200	184	L1407	1,179	L1	14.13	63	65	115/230	8	30		

(a) See notes on inside back flap and pages 5-6.

General Information

Premium Efficient Super-E® Motors

Single Phase Motors

General Purpose Industrial Motors

Severe Duty Motors

Washdown Duty Motors

Explosion Proof Motors

Pump Motors

Commercial Motors

HVAC Motors

**BALDOR • RELIANCE®**  
**Single Phase, ODP, Foot Mounted**

Hp	RPM	NEMA Frame	Catalog Number	List Price	Mult. Sym.	"C" Dim.	Aprx. Wt. (lb)	Full Load Efficiency	Voltage	Full Load Amps	Notes (a)		
1 1/2	3600	56H	<b>L1313A</b>	468	K	11.75	40	68	115/230	9	30,36		
		56H	<b>L1313</b>	448	K	11.75	34	80	115/230	6.4	30,36,65		
		143T	<b>L1313T</b>	448	L1	11.12	37	70	115/230	8.9	30		
	1800	56H	<b>L1319</b>	534	K	11.75	41	68	115/230	9	30,36		
		56H	<b>L1319M</b>	595	K	11.75	39	68	115/230	9	36		
		56H	<b>EL1319</b>	730	K	14.00	47	85.5	115/230	6.25	1,36,65		
		145T	<b>EL1319T</b>	757	L1	13.00	49	85.5	115/230	6.25	1,65		
		145T	<b>L1319T</b>	504	L1	12.12	39	68	115/230	9	30		
		145T	<b>L1321T</b>	605	L1	13.00	45	70	115/230	10.5	30		
		145T	<b>L1321TM</b>	656	L1	13.00	45	70	115/230	10.5			
		184	<b>L1403</b>	750	L1	12.75	56	68	115/230	9.5	30		
		184	<b>L1403M</b>	795	L1	12.75	56	68	115/230	9.5			
		2	3600	56H	<b>L1317</b>	595	K	11.75	43	70	115/230	13	30,36
				56H	<b>L1317A</b>	612	K	11.75	40	70	115/230	12	30,36
145T	<b>L1320T</b>			638	L1	12.12	46	71	115/230	11.5	30,65		
1800	145T		<b>L1322T</b>	617	L1	13.00	48	75.5	115/230	10.2	65		
	145T		<b>L1322TM</b>	671	L1	13.00	45	78.5	115/230	9.2	65		
	182T		<b>EL1405T</b>	854	L1	15.87	65	82.5	115/230	8.8	1,65		
	182T		<b>L1405T</b>	633	L1	15.00	65	71	115/230	12	30		
	184		<b>L1405</b>	788	L1	14.13	64	71	115/230	12	30		
	213		<b>L1502</b>	1,353	L1	14.32	82	69	115/230	12.5	30		
	1200		215	<b>L1503</b>	1,842	L1	15.94	104	68	115/230	14	30	
	3		3600	182T	<b>L1406T</b>	726	L1	15.00	65	78	115/230	14	30
184T				<b>EL1408T</b>	894	L1	16.50	78	85.5	230	11.2	1,65	
1800			184T	<b>L1408T</b>	684	L1	15.00	73	78	115/230	16	30,65	
		184T	<b>L1408TM</b>	806	L1	15.00	78	78	115/230	16	65		
		215	<b>L1505</b>	1,499	L1	15.94	102	75	115/230	18	30		
		1200	215	<b>L1506</b>	2,153	L1	15.94	111	75	115/230	16	30,65	
5	3600	184T	<b>L1409T</b>	863	L1	15.00	76	75	230	23	30		
	1800	184T	<b>EL1410T</b>	1,021	L1	18.00	95	86.5	230	19.1	1,65		
		184T	<b>L1410T</b>	810	LS	16.50	86	82.5	230	23	1,30,65		
		184T	<b>L1410TM</b>	981	L1	16.50	84	82.5	230	23	1,30,65		
		184T	<b>L1430T</b>	743	L1	16.55	79	84	230	20.6	1,30,65		
		184T	<b>L1430TM</b>	981	L1	16.55	84	80	230	24	1,30,65		
		213T	<b>L1508T</b>	1,069	L1	16.32	113	77	230	27			
7 1/2	3600	213T	<b>L1509T</b>	1,334	L1	18.37	101	82.5	230	30	1,30,65		
	1800	215T	<b>L1510T</b>	1,161	L1	17.45	134	85.5	230	31	30,65		
10	3600	215T	<b>L1511T</b>	1,683	L1	17.45	130	83	230	46	1,30		
	1800	215T	<b>L1512T</b>	1,695	L1	17.45	140	85.5	230	39	2,65		

(a) See notes on inside back flap and pages 5-6.

General Information

Premium Efficient Super-E@ Motors

Single Phase Motors

General Purpose Industrial Motors

Severe Duty Motors

Washdown Duty Motors

Explosion Proof Motors

Pump Motors

Commercial Motors

HVAC Motors

**Single Phase,  
ODP, C-Face**

**1/6 thru 5 Hp**

**NEMA 56C thru 184TC**

**Applications:** Pumps, fans, conveyors, machine tools, gear reducers and other applications requiring a NEMA C-face motor.

**Features:** Pressure cast aluminum end plates with ribbed design for rigidity. Ball bearings with a locked drive end bearing, heavy-gauge steel frame.



Hp	RPM	NEMA Frame	Catalog Number	List Price	Mult. Sym.	"C" Dim.	Aprx. Wt. (lb)	Full Load Efficiency	Voltage	Full Load Amps	Notes (a)
<b>C-Face, Foot Mounted, No Drip Cover</b>											
1/3	1800	56C	CL1301	310	K	10.10	23	60	115/230	3	30
1/2	3600	56C	CL1303	275	K	10.06	22	66	115/230	3.5	30
	1800	56C	CL1304	353	K	10.35	25	62	115/230	4.2	30
3/4	1800	56C	CL1307	405	K	12.06	34	68	115/230	5.1	30
1	1800	56C	CL1310	465	K	11.06	31	66	115/230	6.7	30
3	1800	184TC	CL1408TM	852	L1	15.00	78	78	115/230	16	65
5	1800	184TC	CL1410TM	1,026	L1	16.50	88	82.5	230	23	1,30,65
<b>C-Face, Foot Mounted, Drip Cover</b>											
5	1800	184TC	CL1430TM	1,026	L1	16.55	84	80	230	24	1,30,65
<b>C-Face, Footless, Drip Cover</b>											
1/6	1800	56C	KL1200	251	K	11.22	18	49	115/230	1.9	30
1/4	1800	56C	KL1203	256	K	11.22	20	55	115/230	2.5	30
1/3	3600	56C	KL1205	243	K	11.22	21	55	115/208-230	3	30
		56C	KL1205A	249	K	11.35	21	55	115/230	3	30
	1800	56C	VL1301	294	K	11.22	22	60	115/230	3	30
1/2	3600	56C	VL1303	267	K	11.22	21	66	115/230	3.5	30
	1800	56C	VL1304	323	K	11.47	24	62	115/230	4.2	30
	1200	56C	VL1305	633	K	13.24	36	62	115/230	4.1	30
3/4	3600	56C	VL1306	320	K	12.85	27	72	115/230	4.7	30
	1800	56C	VL1307	395	K	13.22	33	68	115/230	5.1	30
	1200	56C	VL1308	709	K	13.24	43	68	115/230	5	30
1	3600	56C	VL1309	336	K	12.72	32	65	115/230	7.5	30
		56C	VL1310	430	K	12.24	34	66	115/230	6.7	30
	1800	56C	VL1318	468	K	13.24	42	67	115/230	6.2	30
1 1/2	3600	56C	VL1313	465	K	12.73	32	80	115/230	6.4	30
	1800	56C	VL1319	550	K	13.24	42	68	115/230	9	30
		145TC	VL1321T	622	L1	14.18	49	70	115/230	10.5	30
2	3600	56C	VL1317	612	K	13.24	43	70	115/230	13	30
	1800	145TC	VL1322T	634	L1	14.18	47	75.5	115/230	10.2	65
3	3600	182TC	VL1406T	770	L1	15.18	59	75.5	115/230	13.6	30,65
	1800	184TC	VL1408T	780	L1	16.55	76	78	115/230	16	30,65

(a) See notes on inside back flap and pages 5-6.

General Information

Premium Efficient Super-E® Motors

Single Phase Motors

General Purpose Industrial Motors

Severe Duty Motors

Washdown Duty Motors

Explosion Proof Motors

Pump Motors

Commercial Motors

HVAC Motors



Three Phase,  
Totally Enclosed,  
Foot Mounted

1/8 thru 500 Hp

NEMA 42 thru 5009L

**Applications:** Pumps, compressors, fans, conveyors, machine tools and other general purpose three phase applications.

**Features:** Suitable for mounting in any position. Ball bearings, heavy-gauge steel and cast-iron frames, and gasketed conduit boxes. Class F insulation, 1.15 service factor, low-loss electrical grade lamination steel. EM Super-E® motors have NEMA Premium® efficiency and 3 year warranty. Motors with TR suffix have roller bearings for heavy belted loads.



Hp	RPM	NEMA Frame	Enclosure	Catalog Number	List Price	Mult. Sym.	"C" Dim.	Aprx. Wt. (lb)	Full Load Efficiency	Voltage	Full Load Amps	Notes (a)
1/8	1800	42	TEFC	M3353	316	K	9.56	16	44	230/460	0.5	30
1/6	1800	42	TEFC	M3355	358	K	9.56	17	62	230/460	0.6	30
	1200	48	TEFC	M3452	369	K	10.73	17	57.5	230/460	0.55	30
1/4	1800	48	TEFC	M3454	261	K	10.73	18	64	230/460	0.65	30
		48	TENV	NM3454	274	K	9.62	21	68	230/460	0.5	1,30
		56	TENV	NM3454/35	441	K	10.25	8	68	208-230/460	0.5	1,48
	1200	48	TEFC	M3455	411	K	10.73	19	68	230/460	0.7	30
		56	TEFC	M3531	406	K	11.35	20	68	230/460	0.7	30
		900	56	TEFC	M3532	593	K	12.23	27	55	230/460	0.9
1/3	3600	48	TENV	M3457	265	K	9.62	20	72	230/460	0.7	30
	1800	48	TEFC	M3458	319	K	10.73	20	68	230/460	0.8	30
		56	TEFC	M3534	286	LS	11.35	21	68	230/460	0.8	30
		56	TENV	NM3534	306	K	10.25	23	70	230/460	0.7	1,30
	1200	56	TEFC	M3535	457	K	11.35	22	70	230/460	0.9	30
		900	56	TEFC	M3536	646	K	12.23	33	62	230/460	1.1
1/2	3600	48	TEFC	M3460	307	K	10.73	19	68	230/460	1	30
		56	TEFC	M3537	307	K	11.35	19	68	230/460	1	30
	1800	48	TEFC	M3461	373	K	10.73	22	74	230/460	1	30
		56	TEFC	EM3538	485	K	11.24	10	84	230/460	0.85	1
		56	TEFC	M3538	327	LS	11.35	22	74	230/460	1	30
		56	TEFC	M3538/35	421	K	11.24	33	69	208-230/460	1	1,48
		56	TENV	NM3538	356	K	10.88	26	75.5	230/460	0.9	1,30
		56	TENV	NM3538/35	475	K	11.24	35	74.3	208-230/460	0.9	1,48
	1200	56	TEFC	M3539	492	K	11.35	24	72	230/460	1.2	30
		56	TENV	NM3539	541	K	11.24	39	73	208-230/460	1.1	
	900	56/56H	TEFC	M3560	726	K	12.93	38	66	208-230/460	1.25	38
		182	TEFC	M3600	954	L1	13.76	41	66	208-230/460	1.25	
3/4	3600	48	TEFC	M3463	339	K	10.73	21	74	230/460	1.3	30
		56	TEFC	M3541	339	K	11.35	21	74	230/460	1.3	30
	1800	48	TEFC	M3464	404	K	10.73	25	75.5	208-230/460	1.5	
		56	TEFC	M3542	349	LS	11.35	26	75.5	208-230/460	1.5	
		56	TENV	NM3542	383	K	11.07	31	80	230/460	1.1	1,30
	1200	56H	TEFC	M3543	503	K	12.84	34	77	208-230/460	1.5	
		143T	TEFC	M3543T	503	L1	13.41	34	77	208-230/460	1.5	
		182	TEFC	M3601	755	L1	13.76	41	77	208-230/460	1.4	
		900	184	TEFC	M3602	954	L1	14.64	53	65	208-230/460	2

(a) See notes on inside back flap and pages 5-6.

General Information

Premium Efficient Super-E® Motors

Single Phase Motors

General Purpose Industrial Motors

Severe Duty Motors

Washdown Duty Motors

Explosion Proof Motors

Pump Motors

Commercial Motors

HVAC Motors

Three Phase, Totally Enclosed, Foot Mounted

Hp	RPM	NEMA Frame	Enclosure	Catalog Number	List Price	Mult. Sym.	"C" Dim.	Aprx. Wt. (lb)	Full Load Efficiency	Voltage	Full Load Amps	Notes (a)
1	3600	56	TEFC	EM3545	539	K	12.25	33	84	230/460	1.4	1,30
		56	TEFC	M3545	397	K	11.35	22	75.5	230/460	1.8	30
	1800	56	TEFC	EM3546	542	K	13.23	36	87.5	208-230/460	1.5	1
		56	TEFC	M3546	364	LS	12.00	26	78.5	208-230/460	1.7	
		56	TEFC	M3546/35	440	K	11.51	31	82.5	208-230/460	1.4	1,48
		56	TENV	NM3546	418	K	11.10	39	82.5	208-230/460	1.45	1,48
		143T	TEFC	EM3546T	594	LS	13.31	37	87.5	230/460	1.5	1,30
		143T	TEFC	EM3581T	769	L1	12.53	54	87.5	230/460	1.5	1,30
		143T	TEFC	M3546T	404	LS	12.31	36	82.5	208-230/460	1.65	1
		143T	TEFC	M3581T	566	L1	12.53	48	82.5	208-230/460	1.65	1
		143T	TENV	NM3546T	440	L1	12.13	38	81.5	208-230/460	1.6	1
		182	TEFC	M3603	685	L1	13.76	35	77	208-230/460	1.7	
	1200	56	TEFC	EM3556	707	K	13.23	39	82.5	208-230/460	1.8	1
		56/56H	TEFC	M3556	512	K	12.93	35	75.5	208-230/460	1.7	36
		145T	TEFC	EM3582T	861	L1	12.55	56	82.5	230/460	1.8	1,30
		145T	TEFC	M3556T	553	L1	13.31	39	80	208-230/460	1.8	
		145T	TEFC	M3582T	748	L1	12.55	54	80	208-230/460	1.8	1
		184	TEFC	M3604	873	L1	13.76	41	75.5	208-230/460	1.7	
	900	182T	TEFC	M3617T	1,019	L1	15.17	60	74	230/460	2.2	
	1 1/2	3600	56	TEFC	EM3550	571	K	13.25	41	85.5	208-230/460	2
56			TEFC	M3550	433	K	11.97	30	80	208-230/460	2.3	
143T			TEFC	EM3550T	611	L1	13.31	41	85.5	208-230/460	2	1
143T			TEFC	EM3583T	812	L1	12.55	48	85.5	208-230/460	2	1
143T			TEFC	M3550T	459	L1	12.31	37	82.5	208-230/460	2.1	
143T			TEFC	M3583T	717	L1	12.55	51	82.5	208-230/460	2.1	1
1800		182	TEFC	M3605	777	L1	13.76	36	75.5	208-230/460	2.3	
		56	TEFC	EM3554	602	K	14.10	42	88.5	208-230/460	2.1	1
		56	TEFC	M3554	411	LS	12.23	34	78.5	208-230/460	2.5	
		145T	TEFC	EM3554T	617	LS	14.19	42	88.5	208-230/460	2.1	1
		145T	TEFC	EM3584T	797	L1	12.53	57	88.5	230/460	2.1	1,30
		145T	TEFC	M3554T	414	LS	13.31	41	84	208-230/460	2.2	
		145T	TEFC	M3584T	578	L1	12.53	53	84	208-230/460	2.3	1
		145T	TENV	NM3554T	459	L1	13.00	45	82.5	208-230/460	2.1	1,48
		184	TEFC	M3606	698	L1	13.76	39	78.5	208-230/460	2.5	
		1200	56H	TEFC	M3557	587	K	12.93	41	75.5	230/460	2.5
182T			TEFC	EM3667T	1,025	L1	15.24	96	87.5	208-230/460	2.6	1
182T			TEFC	↔P18G7400	1,025	L1	14.43	113	87	230/460	2.4	30
182T			TEFC	M3607T	638	L1	16.54	67	85.5	208-230/460	2.8	
182T			TEFC	M3667T	819	L1	15.24	87	85.5	208-230/460	2.6	
182T	TEFC		↔P18G4904	819	L1	15.62	115	85.5	230/460	2.2	30	
184	TEFC		M3607	933	L1	13.76	43	75.5	230/460	2.5		
900	184T		TEFC	M3618T	1,207	L1	18.04	88	77	230/460	2.8	2,20
2	3600	213	TEFC	M3701	1,407	L1	15.89	84	70	208-230/460	3.4	
		56	TEFC	EM3555	628	K	14.12	48	86.5	208-230/460	2.5	1
		56H	TEFC	M3555	487	K	12.84	33	80	208-230/460	2.9	
		145T	TEFC	EM3555T	669	L1	14.19	49	86.5	208-230/460	2.5	1
		145T	TEFC	EM3586T	854	L1	12.55	60	86.5	208-230/460	2.5	1
		145T	TEFC	M3555T	529	L1	13.31	43	84	208-230/460	2.6	
	1800	145T	TEFC	M3586T	743	L1	12.55	58	84	208-230/460	2.6	1,48
		184	TEFC	M3608	895	L1	13.76	43	78.5	208-230/460	2.7	
		56	TEFC	EM3558	638	K	14.10	46	86.5	208-230/460	2.7	1
		56/56H	TEFC	M3558	444	LS	12.93	41	82.5	208-230/460	3.1	38
		145T	TEFC	EM3558T	640	LS	14.19	49	86.5	208-230/460	2.7	1
		145T	TEFC	EM3587T	835	L1	12.53	60	88.5	230/460	2.7	1,30
		145T	TEFC	M3558T	435	LS	13.31	46	84	208-230/460	2.9	
		145T	TEFC	M3587T	626	L1	12.53	59	85.5	208-230/460	2.9	1,48
184	TEFC	M3609	736	L1	13.76	46	82.5	208-230/460	3.1			

(a) See notes on inside back flap and pages 5-6.

↔ = Functional Equivalent

■ Cast Iron Frame

General Information

Premium Efficient Super-E® Motors

Single Phase Motors

General Purpose Industrial Motors

Severe Duty Motors

Washdown Duty Motors

Explosion Proof Motors

Pump Motors

Commercial Motors

HVAC Motors

Three Phase, Totally Enclosed, Foot Mounted

Hp	RPM	NEMA Frame	Enclosure	Catalog Number	List Price	Mult. Sym.	"C" Dim.	Aprx. Wt. (lb)	Full Load Efficiency	Voltage	Full Load Amps	Notes (a)	
2	1200	184T	TEFC	EM3664T	1,041	L1	15.24	109	88.5	208-230/460	3.5	1	
		L184T	TEFC	➔P18G7401	1,041	L1	15.42	125	88.5	230/460	3	30	
		184T	TEFC	M3614T	686	L1	16.54	74	86.5	208-230/460	3.5		
		184T	TEFC	M3664T	876	L1	15.24	93	86.5	208-230/460	3.5	1,48	
		184T	TEFC	➔P18G4905	876	L1	15.42	115	86.5	230/460	3.1	30	
		213	TEFC	M3712	1,055	L1	18.18	72	80	208-230/460	3.3		
	900	213T	TEFC	M3702T	1,529	L1	17.89	97	82.5	208-230/460	3.5		
		215	TEFC	M3702	1,570	L1	17.51	96	82.5	208-230/460	3.5		
		3600	56H	TEFC	M3559	566	K	12.93	44	82.5	208-230/460	3.8	1,38
			145T	TEFC	M3559T	606	L1	14.19	53	85.5	208-230/460	3.7	1
182T	TEFC		EM3610T	742	L1	16.55	66	89.5	230/460	3.5	1,30		
182T	TEFC		EM3660T	922	L1	15.24	85	89.5	230/460	3.5	1,30		
182T	TEFC		➔P18G7404	922	L1	15.62	107	88.5	230/460	3.6	30		
182T	TEFC		M3610T	645	L1	15.14	57	85.5	208-230/460	3.7	1		
182T	TEFC		M3660T	821	L1	15.24	87	85.5	208-230/460	3.7	1,48		
182T	TEFC		➔P18G4900	821	L1	15.62	103	85.5	230/460	4	30		
184	TEFC		M3610	737	L1	13.76	48	82.5	208-230/460	3.8	1		
3	1800		182T	TEFC	EM3611T	707	LS	16.55	69	89.5	208-230/460	4.1	1
		182T	TEFC	EM3661T	948	L1	15.24	92	89.5	230/460	4	1,30	
		L182T	TEFC	➔P18G7402	948	L1	17.12	125	89.5	230/460	4.2	30	
		L182T	TEFC	P18G3434	948	L1	17.12	120	89.5	230/460	4.2	30	
		182	TEFC	M3611	657	L1	14.64	58	84	208-230/460	4.1	1	
		182T	TEFC	M3611T	512	LS	16.52	69	87.5	208-230/460	4.1	1	
		182T	TEFC	M3611T/36	535	L1	16.54	68	87.5	208-230/460	4.1	1,48	
		182T	TEFC	M3661T	820	LS	15.24	93	87.5	208-230/460	4.1	1,48	
		182T	TEFC	➔P18G4902	820	LS	15.62	102	87.5	230/460	3.9	30	
		213	TEFC	M3703	902	L1	18.18	65	82.5	208-230/460	4.3	1	
	1200	213T	TEFC	EM3704T	1,135	L1	19.02	125	90.2	230/460	4.5	1,30	
		213T	TEFC	EM3764T	1,297	L1	18.45	175	90.2	230/460	4.5	1,30	
		213T	TEFC	➔P21G7400	1,297	L1	17.94	168	90	230/460	4.3		
		213T	TEFC	M3704T	864	L1	17.89	110	87.5	208-230/460	4.6	1	
		213T	TEFC	M3764T	1,149	L1	18.45	158	87.5	208-230/460	4.6	1	
		213T	TEFC	➔P21G4904	1,149	L1	19.25	135	87.5	230/460	4.4		
		215	TEFC	M3704	1,110	L1	17.51	96	84	208-230/460	4.8	1	
		215T	TEFC	M3705T	1,671	L1	19.01	139	86.5	230/460	5.2	2,20	
3600	184T	TEFC	EM3613T	823	L1	16.55	77	90.2	230/460	5.6	1,30		
	184T	TEFC	EM3663T	1,135	L1	15.24	99	90.2	230/460	5.7	1,30,48		
	184T	TEFC	➔P18G7405	1,135	L1	15.62	188	88.5	230/460	6			
	184T	TEFC	M3613T	742	L1	16.54	73	87.5	208-230/460	5.8	1		
	184T	TEFC	M3663T	1,014	L1	15.24	95	87.5	208-230/460	5.9	1,48		
	184T	TEFC	➔P18G4901	1,014	L1	15.62	109	87.5	230/460	6.1			
	213	TEFC	M3706	1,255	L1	18.18	74	85.5	208-230/460	6	1		
	1800	184T	TEFC	EM3615T	774	LS	18.05	95	90.2	230/460	6.5	1,30	
		184T	TEFC	EM3665T	949	L1	15.24	114	90.2	230/460	6.5	1,30	
		L184T	TEFC	➔P18G7403	949	L1	17.12	132	89.5	230/460	6.6		
184T		TEFC	M3615T	589	LS	16.55	79	87.5	208-230/460	7.1			
184T		TEFC	M3665T	837	L1	15.24	105	87.5	208-230/460	6.7	1,48		
184T		TEFC	➔P18G4903	837	L1	17.12	110	87.5	230/460	6.5			
215		TEFC	M3707	1,137	L1	18.18	80	85.5	208-230/460	6.6	1		
1200		215T	TEFC	EM3708T	1,282	L1	19.77	138	90.2	230/460	7.2	1,30	
		215T	TEFC	EM3768T	1,505	L1	18.45	193	90.2	230/460	7.3	1,30	
		215T	TEFC	➔P21G7401	1,505	L1	20.12	185	89.5	230/460	6.8		
	215T	TEFC	M3708T	1,047	L1	19.01	123	87.5	208-230/460	7.5	1		
	215T	TEFC	M3768T	1,270	L1	18.45	178	87.5	208-230/460	7.5	1		
	215T	TEFC	➔P21G4905	1,270	L1	19.25	151	87.5	230/460	6.8			
	254U	TEFC	M2275	2,047	L1	20.82	203	85.5	208-230/460	7.8			
	254T	TEFC	M2280T	2,660	L1	22.83	229	85.5	208-230/460	8.3	1		

(a) See notes on inside back flap and pages 5-6.

➔ = Functional Equivalent

Cast Iron Frame

Three Phase, Totally Enclosed, Foot Mounted

Hp	RPM	NEMA Frame	Enclosure	Catalog Number	List Price	Mult. Sym.	"C" Dim.	Aprx. Wt. (lb)	Full Load Efficiency	Voltage	Full Load Amps	Notes (a)		
7 1/2	3600		TEFC	M3616T	901	L1	18.04	89	88.5	208-230/460	8.7	1		
			TEFC	EM3709T	1,233	L1	17.89	126	91	230/460	8.9	1,30		
			TEFC	EM3769T	1,314	L1	18.45	165	91	230/460	8.6	1,30,48		
			TEFC	↔P21G7404	1,314	L1	19.25	168	90.2	230/460	8.6			
			TEFC	M3709T	1,093	L1	18.56	94	88.5	208-230/460	8.7	1		
			TEFC	M3769T	1,154	L1	18.45	166	88.5	208-230/460	9	1		
			TEFC	↔P21G4900	1,154	L1	19.25	150	88.5	230/460	9			
			TEFC	M3709	1,266	L1	18.18	87	87.5	208-230/460	8.6			
	1800		TEFC	EM3710T	1,116	LS	19.02	136	91.7	230/460	9.4	1,30		
			TEFC	EM3770T	1,266	L1	18.45	170	91.7	230/460	9.5	1,30		
			TEFC	↔P21G7402	1,266	L1	20.12	183	91.7	230/460	9.4			
			TEFC	M3710T	751	LS	17.89	129	89.5	208-230/460	10.1	1		
			TEFC	M3770T	1,117	L1	18.45	164	89.5	208-230/460	10.3	1,48		
			TEFC	↔P21G4902	1,117	L1	19.25	150	89.5	230/460	9.5			
			TEFC	M2237	1,743	L1	20.82	242	88.5	208-230/460	10.9	1		
			TEFC	M2276T	2,146	L1	23.16	298	91.7	230/460	10.7	2,30		
	1200		TEFC	↔P25G3332	2,146	L1	24.56	310	90.2	230/460	9.6			
			TEFC	M2276T	1,551	L1	22.83	247	89.5	208-230/460	10.9			
			TEFC	↔P25G4904	1,551	L1	24.56	274	89.5	230/460	9.8			
			TEFC	M2276	2,461	L1	22.57	231	86.5	208-230/460	11.1	1		
		900		TEFC	M2401T	2,933	L1	23.16	256	85.5	230/460	14	1,30	
				TEFC	EM3711T	1,250	L1	19.02	154	91.7	230/460	11.2	1,30	
	10	3600		TEFC	EM3771T	1,540	L1	18.45	185	91.7	230/460	11.2	1,30	
				TEFC	↔P21G7405	1,540	L1	19.25	174	91	230/460	11.1		
				TEFC	M3711T	1,144	L1	17.89	126	89.5	208-230/460	11.5	1	
				TEFC	M3771T	1,387	L1	18.45	171	89.5	230/460	11.5	1,48	
				TEFC	↔P21G4901	1,387	L1	19.25	153	89.5	230/460	11.7		
				TEFC	M2393	1,956	L1	20.82	198	85.5	208-230/460	12	1	
1800				TEFC	EM3714T	1,260	LS	20.52	158	92.4	230/460	12.5	1,30	
				TEFC	EM3774T	1,420	L1	18.45	231	92.4	230/460	12.5	1,30	
			TEFC	↔P21G7403	1,420	L1	20.12	197	91.7	230/460	12.3			
			TEFC	M3714T	915	LS	19.01	129	89.5	208-230/460	13.5	1		
			TEFC	M3774T	1,202	L1	18.45	170	89.5	208-230/460	13	1,48		
			TEFC	↔P21G4903	1,202	L1	19.25	161	89.5	230/460	12.2			
			TEFC	M2238	2,185	L1	22.57	270	88.5	208-230/460	13.8	1		
			TEFC	EM2332T	2,450	L1	23.16	282	91.7	230/460	14.2	1,30		
1200			TEFC	↔P25G7401	2,450	L1	24.56	323	91	230/460	12.5			
			TEFC	M2332T	1,726	L1	23.16	269	89.5	230/460	14.4	1,30		
			TEFC	↔P25G4905	1,726	L1	24.56	292	89.5	230/460	12.9			
			TEFC	M2332	3,145	L1	26.21	320	87.5	230/460	15	1,30		
		900		TEFC	M2402T	3,406	L1	27.76	343	88.5	230/460	13.9	1,30	
				TEFC	M3713T	1,452	L1	20.52	168	90.2	208-230/460	17	1	
15		3600		TEFC	EM2394T	2,122	L1	23.16	270	91.7	230/460	17.2	1,30	
				TEFC	↔P25G7404	2,122	L1	24.56	327	91.7	230/460	16.8		
				TEFC	M2394T	1,810	L1	21.07	237	90.2	208-230/460	17	1	
				TEFC	↔P25G4900	1,810	L1	24.56	272	90.2	230/460	17.6		
				TEFC	M2394	2,029	L1	22.57	220	86.5	208-230/460	17.5	1	
			1800		TEFC	EM2333T	1,942	LS	23.16	255	92.4	230/460	18.5	1,30
					TEFC	↔P25G7402	1,942	LS	24.56	302	92.4	230/460	18.1	
					TEFC	M2333T	1,605	LS	21.07	196	91	208-230/460	18.5	1
		TEFC		↔P25G4902	1,605	LS	24.56	278	91	230/460	19.5			
		TEFC		M2333	3,009	L1	26.21	332	89.5	230/460	18.5	1,30		
	1200			TEFC	EM4100T	3,268	L1	27.76	421	93	230/460	19.7	1,30	
				TEFC	↔P28G7400	3,268	L1	27.44	416	92.4	230/460	18.7		
				TEFC	M4100T	2,752	L1	27.76	361	90.2	230/460	21	1,30	
			TEFC	↔P28G4904	2,752	L1	27.44	375	90.2	230/460	20.5			
		900		TEFC	M2395T	4,737	L1	27.76	357	88.5	230/460	21.1	1,30	

(a) See notes on inside back flap and pages 5-6.

↔ = Functional Equivalent

■ Cast Iron Frame

General Information

Premium Efficient Super-E® Motors

Single Phase Motors

General Purpose Industrial Motors

Severe Duty Motors

Washdown Duty Motors

Explosion Proof Motors

Pump Motors

Commercial Motors

HVAC Motors

Three Phase, Totally Enclosed, Foot Mounted

Hp	RPM	NEMA Frame	Enclosure	Catalog Number	List Price	Mult. Sym.	"C" Dim.	Aprx. Wt. (lb)	Full Load Efficiency	Voltage	Full Load Amps	Notes (a)	
20	3600	256T	TEFC	EM4106T	2,329	L1	23.16	258	92.4	230/460	23	1,30	
		256T	TEFC	↔P25G7405	2,329	L1	24.56	325	91.7	230/460	22.3		
		256T	TEFC	M4106T	1,987	L1	22.83	248	90.2	208-230/460	23	1	
		256T	TEFC	↔P25G4901	1,987	L1	25.10	276	90.2	230/460	23.5		
		286U	TEFC	M4106	2,931	L1	26.21	370	89.5	230/460	23	1,30	
	1800	256T	TEFC	EM2334T	2,355	LS	23.16	291	93	230/460	24	1,30	
		256T	TEFC	↔P25G7403	2,355	LS	24.56	332	93	230/460	24		
		256T	TEFC	M2334T	1,939	LS	22.83	259	91	230/460	25	1,30	
		256T	TEFC	↔P25G4903	1,939	LS	24.56	293	91	230/460	25.4		
		256T	TEFC	M2334T-12	1,997	L1	21.41	280	91	230/460	24	1,25,30	
		286U	TEFC	M2334	3,601	L1	26.21	377	91	230/460	24	1,30	
		1200	286T	TEFC	EM4102T	4,351	L1	27.76	455	93	230/460	26	1,30
			286T	TEFC	↔P28G7401	4,351	L1	27.44	439	92.5	230/460	24.8	
	286T		TEFC	M4102T	3,324	L1	27.76	372	90.2	208-230/460	27	1	
	286T		TEFC	↔P28G4905	3,324	L1	27.44	384	90.5	230/460	26.9		
	25	3600	324T	TEFC	M4112T	5,386	L1	30.28	569	89.5	230/460	29	1,30
			256T	TEFC	M4118T	2,252	L1	23.16	277	91	230/460	28	1,30
			284TS	TEFC	EM4107T	3,039	L1	24.59	383	93	230/460	28	1,30
			284TS	TEFC	↔P28G7404	3,039	L1	26.06	424	93.3	230/460	28.1	
			284TS	TEFC	M4107T	2,528	L1	24.59	361	91	208-230/460	29	1
1800		284TS	TEFC	↔P28G4900	2,528	L1	26.06	384	91.6	230/460	29.7		
		324U	TEFC	M4107	4,570	L1	30.76	495	91	230/460	29	1,30	
		284T	TEFC	EM4103T	3,080	LS	27.76	398	93.6	230/460	30	1,30	
		284T	TEFC	↔P28G7402	3,080	LS	26.90	430	93.6	230/460	29.7		
		284T	TEFC	M4103T	2,398	LS	25.96	342	92.4	208-230/460	30	1	
		284T	TEFC	↔P28G4902	2,398	LS	27.49	386	91.1	230/460	31		
		284T	TEFC	M4103T-12	2,469	L1	25.96	432	92.4	230/460	29	1,25,30	
		324U	TEFC	M4103	4,474	L1	30.76	375	89.5	230/460	32	1,30	
1200		324T	TEFC	EM4111T	4,923	L1	30.39	522	93	230/460	32	1,30	
		324T	TEFC	M4111T	4,011	L1	30.39	451	91.7	208-230/460	33	1	
		324T	TEFC	↔P32G4650	4,011	L1	33.44	546	91.7	230/460	32.7		
		900	326T	TEFC	M4116T	6,653	L1	30.28	532	89.5	230/460	36	1,30
30		3600	286TS	TEFC	EM4108T	3,611	L1	24.59	382	93	230/460	33	1,30
			286TS	TEFC	↔P28G7405	3,611	L1	26.06	434	93.2	230/460	33.9	
			286TS	TEFC	M4108T	2,742	L1	24.59	382	91	208-230/460	34	1
	286TS		TEFC	↔P28G4901	2,742	L1	26.06	389	91.4	230/460	36.9		
	1800	286T	TEFC	EM4104T	3,654	LS	27.76	433	94.1	230/460	36	1,30	
		286T	TEFC	↔P28G7403	3,654	LS	27.44	441	93.6	230/460	36.1		
		286T	TEFC	M4104T	2,833	LS	25.96	361	92.4	208-230/460	36	1	
		286T	TEFC	↔P28G4903	2,833	LS	29.44	395	92.5	230/460	37		
		286T	TEFC	M4104T-12	2,848	L1	25.96	422	92.4	230/460	36	1,25,30	
		326U	TEFC	M4104	5,308	L1	30.76	522	90.2	230/460	38	1,30	
		1200	326T	TEFC	EM4117T	5,687	L1	30.28	606	93	230/460	39	1,30
			326T	TEFC	↔P32G3350	5,687	L1	30.44	620	93.6	230/460	36.4	
326T	TEFC		M4117T	4,866	L1	30.39	579	91.7	208-230/460	39	1		
326T	TEFC		↔P32G4651	4,866	L1	30.44	564	91.7	230/460	38.9			
900	364T	TEFC	M4338T	7,398	L1	32.84	699	92.4	230/460	40.5	1,30		
40	3600	324TS	TEFC	EM4109T	4,950	L1	28.78	502	93.6	230/460	45	1,30	
		324TS	TEFC	M4109T	3,920	L1	28.89	486	91.7	230/460	45	1,30	
		324TS	TEFC	↔P32G4500	3,920	L1	28.94	540	92.2	230/460	50.1		
	1800	324T	TEFC	EM4110T	4,778	LS	30.28	602	94.5	230/460	46	1,30	
		324T	TEFC	↔P32G3345	4,778	LS	30.44	613	94.2	230/460	47.7		
		324T	TEFC	M4110T	3,757	LS	30.39	498	93	208-230/460	47	1	
		324T	TEFC	↔P32G4550	3,757	LS	30.44	567	93.2	230/460	49.5		
		324T	TEFC	P32G4902	3,757	LS	30.44	588	92.9	230/460	51.6	35	
		324T	TEFC	M4110T-12	3,871	L1	30.39	455	93	230/460	47	1,25	
		365U	TEFC	M4307	5,583	L1	33.34	662	91.7	230/460	49	1	

(a) See notes on inside back flap and pages 5-6.

↔ = Functional Equivalent

■ Cast Iron Frame



Three Phase, Totally Enclosed, Foot Mounted

Hp	RPM	NEMA Frame	Enclosure	Catalog Number	List Price	Mult. Sym.	"C" Dim.	Aprx. Wt. (lb)	Full Load Efficiency	Voltage	Full Load Amps	Notes (a)	
40	1200	364T	TEFC	EM4308T	7,087	L1	32.84	834	94.1	230/460	50.5	1,30	
		364T	TEFC	M4308T	5,391	L1	32.84	807	93	230/460	49	1,30	
		364T	TEFC	↪P36G4650	5,391	L1	32.54	733	93	230/460	49.4		
40	900	365T	TEFC	M4348T	9,177	L1	32.84	756	91	230/460	58	1,30	
		326TS	TEFC	EM4114T	5,415	L1	28.90	578	94.1	230/460	54	1,30	
		326TS	TEFC	↪P32G395	5,415	L1	28.94	637	94.1	230/460	55.5		
50	3600	326TS	TEFC	M4114T	3,985	L1	28.89	470	92.4	230/460	56	1,30	
		326TS	TEFC	↪P32G4501	3,985	L1	28.94	574	92.4	230/460	59.5		
		326T	TEFC	EM4115T	5,222	LS	30.28	750	95	230/460	58	1,30	
		326T	TEFC	↪P32G3346	5,222	LS	30.44	677	94.5	230/460	58.4		
		326T	TEFC	M4115T	3,891	LS	30.39	539	93	208-230/460	59	1	
	50	1800	326T	TEFC	↪P32G4551	3,891	LS	30.44	591	93	230/460	63.2	
			326T	TEFC	P32G4903	3,891	LS	30.44	610	92.4	230/460	66.1	35
			326T	TEFC	M4115T-12	4,007	L1	30.39	579	93	230/460	60	1,25,30
			326TS	TEFC	M4115TS	3,949	LS	28.89	579	93	230/460	60	1,30
			365U	TEFC	M4311	6,487	L1	33.34	728	91.7	230/460	62	1,30
			365T	TEFC	EM4312T	8,564	L1	32.84	858	94.1	230/460	61	1,30
			365T	TEFC	M4312T	6,841	L1	32.84	769	93	230/460	61	1,30
			365T	TEFC	↪P36G4651	6,841	L1	33.44	774	93	230/460	61.9	
	50	900	404T	TEFC	M4458T	11,269	L1	38.06	1,004	91.7	230/460	63	1,30
			364TS	TEFC	EM4310T	7,607	L1	30.72	816	94.1	230/460	68	1,30
364TS			TEFC	M4310T	6,079	L1	30.90	680	93	230/460	66	1,30	
60	3600	364TS	TEFC	↪P36G4500	6,079	L1	31.31	739	93	230/460	72.8		
		364T	TEFC	EM4314T	7,514	LS	32.84	814	95	230/460	69	1,30	
		364T	TEFC	↪P36G3326	7,514	LS	33.44	870	95	230/460	68		
	60	1800	364T	TEFC	M4314T	5,959	LS	33.02	727	93.6	230/460	69	1,30
			364T	TEFC	↪P36G4550	5,959	LS	33.44	752	93.6	230/460	73.4	
			364T	TEFC	M4314T-12	6,140	L1	32.84	773	93.6	230/460	71	1,25,30
			364TS	TEFC	M4314TS	5,959	LS	30.72	734	93.6	230/460	71	1,30
			404T	TEFC	EM4403T	10,395	L1	38.06	1,045	94.5	230/460	72.5	1,30
	60	1200	404T	TEFC	M4403T	8,636	L1	37.22	1,051	93.6	230/460	72	1
			404T	TEFC	↪P40G4650	8,636	L1	38.31	1,073	93.6	230/460	70.5	
405T			TEFC	M4468T	13,014	L1	38.06	1,076	91.7	230/460	75	1,30	
75	3600	365TS	TEFC	EM4313T	8,850	L1	30.72	878	94.5	230/460	83	1,30	
		365TS	TEFC	M4313T	7,383	L1	30.72	775	93	230/460	83	1,30	
		365TS	TEFC	↪P36G4501	7,383	L1	31.31	813	93	230/460	87.9		
	75	1800	365T	TEFC	EM4316T	8,786	LS	32.84	908	95.4	230/460	86.5	1,30
			365T	TEFC	↪P36G3356	8,786	LS	33.44	869	95.4	230/460	85.9	
			365T	TEFC	M4316T	7,345	LS	33.02	874	94.1	230/460	86	1,30
			365T	TEFC	↪P36G4551	7,345	LS	33.44	824	94.1	230/460	87	
			365T	TEFC	M4316T-12	7,567	L1	33.02	807	94.1	230/460	86	1,25
			365TS	TEFC	M4316TS	7,345	LS	30.90	808	94.1	230/460	86	1,30
			405T	TEFC	EM4404T	12,105	L1	38.06	1,160	95	230/460	88	1,30
100	3600	405T	TEFC	M4404T	9,741	L1	38.06	1,140	93.6	230/460	88	1,30	
		405TS	TEFC	M4402T-4	9,429	L1	34.22	974	94.5	460	108	25	
		405TS	TEFC	↪P40G4500	9,429	L1	35.31	1,076	93.6	230/460	116		
	100	1800	405T	TEFC	EM4400T	10,911	LS	37.22	1,239	95.4	230/460	112	1
			405T	TEFC	↪P40G332	10,911	LS	38.31	1,171	95.4	460	112	
			405T	TEFC	M4400T	9,122	LS	37.22	1,012	94.5	230/460	113	1
			405T	TEFC	↪P40G4550	9,122	LS	38.31	1,101	94.5	230/460	116	
			405T	TEFC	M4400T-12	9,122	L1	37.22	1,008	94.5	230/460	113	1,25
			405TS	TEFC	M4400TS	9,122	LS	34.22	987	94.5	230/460	113	1
			405TS	TEFC	↪P40G4554	9,122	LS	35.31	1,152	94.5	230/460	116	
100	1200	444T	TEFC	M4409T	12,175	L1	44.24	1,636	94.1	230/460	120	1,30	

(a) See notes on inside back flap and pages 5-6.

↪ = Functional Equivalent

■ Cast Iron Frame

General Information

Premium Efficient Super-E® Motors

Single Phase Motors

General Purpose Industrial Motors

Severe Duty Motors

Washdown Duty Motors

Explosion Proof Motors

Pump Motors

Commercial Motors

HVAC Motors

Three Phase, Totally Enclosed, Foot Mounted

Hp	RPM	NEMA Frame	Enclosure	Catalog Number	List Price	Mult. Sym.	"C" Dim.	Aprx. Wt. (lb)	Full Load Efficiency	Voltage	Full Load Amps	Notes (a)
125	3600	444TS	TEFC	M4412T-4	12,832	L1	40.50	1,489	94.5	460	138	1,25
	1800	444T	TEFC	EM4410T-4	13,508	LS	44.24	1,449	95.4	460	139	1
		444T	TEFC	↪P44G519	13,508	LS	44.62	1,669	95.8	460	139	
		444T	TEFC	M4410T-4	12,306	LS	44.24	1,607	94.5	460	141	1,25
		444T	TEFC	↪P44G4550	12,306	LS	44.62	1,576	94.6	460	140	
		444TS	TEFC	M4410TS-4	12,306	LS	40.50	1,536	94.5	460	141	1,25
1200	445T	TEFC	M4411T-4	15,627	L1	44.24	1,664	94.1	460	151	1,25	
150	3600	445TS	TEFC	M4413T-4	15,237	L1	40.50	1,501	94.5	460	168	1,25
	1800	445T	TEFC	EM4406T-4	15,538	LS	44.24	1,672	95.8	460	173	1,25
		445T	TEFC	↪P44G520	15,538	LS	44.62	1,820	96.2	460	165	1,25
		445T	TEFC	M4406T-4	14,416	LS	44.24	1,740	95	460	168	1,25
		445T	TEFC	↪P44G4551	14,416	LS	44.62	1,654	95.1	460	170	
		445TS	TEFC	M4406TS-4	14,416	LS	40.50	1,568	95	460	168	1,25
1200	445T	TEFC	M44156T-4	18,458	L1	44.24	1,672	95	460	175	1,25	
200	3600	447TS	TEFC	M4416T-4	18,189	L1	44.00	1,716	95	460	220	1,25
	1800	445T	TEFC	M4407T-4	17,718	LS	44.24	1,945	95	460	225	1,25
		445T	TEFC	M4407TR-4	17,809	LS	44.24	1,912	95	460	225	1,5
		445T	TEFC	↪P44G6401	17,809	LS	44.63	1,807	95.3	460	225	1,4,5
		445TS	TEFC	M4407TS-4	17,718	LS	40.50	1,662	95	460	225	1,25
		447T	TEFC	EM4407TR-4	19,528	L1	48.40	1,875	96.2	460	221	1,5
		447T	TEFC	↪P44G5171	19,528	L1	48.40	2,255	96.2	460	221	1,5
1200	449T	TEFC	M44206T-4	21,981	L1	53.40	2,420	95	460	230	1,27	
250	3600	449TS	TEFC	M44252T-4	26,854	L1	49.65	2,314	95.4	460	280	1,27
	1800	447T	TEFC	M4408T-4	22,206	L1	47.74	1,877	95	460	282	1,25,27,64
		447T	TEFC	M4408TR-4	22,206	L1	47.74	2,345	95	460	282	1,5,64
		447T	TEFC	↪P44G6500	22,206	L1	48.40	2,211	95.4	460	278	1,4,5
		447TS	TEFC	M4408TS-4	22,206	L1	44.00	2,120	95	460	282	1,25,27,64
1200	449T	TEFC	M44256T-4	30,880	L1	53.40	2,710	95.4	460	280	1,25,27	
300	3600	449TS	TEFC	M44302T-4	41,021	L1	49.65	2,606	96.2	460	326	1,27
	1800	449T	TEFC	M44304T-4	33,055	L1	53.40	2,648	95.4	460	336	1,27
		449TS	TEFC	M44304TS-4	33,055	L1	49.65	2,629	95.4	460	336	1,25,27
1200	449T	TEFC	M44306T-4	39,417	L1	53.40	2,831	95.4	460	342	1,27	
350	3600	449TS	TEFC	M44352T-4	47,387	L1	49.65	2,908	96.2	460	375	1,25,27
	1800	449T	TEFC	M44354T-4	36,726	L1	53.40	3,044	96.2	460	392	1,25,27
		449TS	TEFC	M44354TS-4	36,726	L1	48.93	3,025	95	460	392	1,25,27,64
400	1200	5009L	TEFC	M50356L-4	51,926	LM	62.93	4,427	95.8	460	386	1,25,27,64
	3600	449TS	TEFC	M44402T-4	57,609	L1	49.65	2,900	95	460	435	1,25,27
		449T	TEFC	M44404T-4	48,032	L1	53.40	3,004	96.2	460	442	1,25,27
500	1800	449TS	TEFC	M44404TS-4	48,510	L1	48.93	2,695	95.8	460	440	1,25
	3600	5009SY	TEFC	M50502S-4	73,594	LM	60.03	4,572	96.2	460	530	1,25,27,64
1800	5009L	TEFC	M50504L-4	66,397	LM	62.93	4,579	95.8	460	556	1,25,27,64	

(a) See notes on inside back flap and pages 5-6.

↪ = Functional Equivalent

■ Cast Iron Frame

Custom TEFC motors available through 2,250 Hp; Open and WPll custom motors through 15,000 Hp. Contact your Baldor•Reliance Sales Representative.

General Information

Premium Efficient Super-E® Motors

Single Phase Motors

General Purpose Industrial Motors

Severe Duty Motors

Washdown Duty Motors

Explosion Proof Motors

Pump Motors

Commercial Motors

HVAC Motors

Three Phase,  
Totally Enclosed,  
C-Face,  
Foot Mounted

1/4 thru 100 Hp

NEMA 56C thru 405TC

**Applications:** Pumps, fans, conveyors, machine tools, gear reducers and other applications requiring a NEMA C-face motor.

**Features:** CEM Super-E® / XE motors have NEMA Premium® efficiency and 3 year warranty.



Hp	RPM	NEMA Frame	Enclosure	Catalog Number	List Price	Mult. Sym.	"C" Dim.	Aprx. Wt. (lb)	Full Load Efficiency	Voltage	Full Load Amps	Notes (a)	
1/4	1800	56C	TENV	CNM3454/35	441	K	10.44	4	68	208-230/460	0.4	1,48	
	1200	56C	TENV	CNM3531	560	K	11.07	31	68	230/460	0.7	30	
1/3	3600	56C	TENV	CNM3457	323	K	11.07	31	80	230/460	0.6	30	
	1800	56C	TEFC	CM3534	317	LS	11.35	22	68	230/460	0.8	30	
1/2	3600	56C	TEFC	CM3537	329	K	11.35	21	68	230/460	1	30	
		56C	TEFC	CM3538	350	LS	11.35	23	74	230/460	1	30	
	1800	56C	TENV	CNM3538/35	496	K	10.44	27	80	208-230/460	1	1,48	
		56C	TEFC	CM3539	514	K	11.35	24	72	230/460	1.2	30	
		56C	TENV	CNM3539	550	K	10.44	39	73	208-230/460	1.1		
3/4	3600	56C	TEFC	CM3541	360	K	11.35	22	74	230/460	1.3	30	
	1800	56C	TEFC	CM3542	372	LS	11.35	26	75.5	208-230/460	1.5		
		56C	TENV	CNM3542	405	K	10.44	28	83	208-230/460	1.3		
1	3600	56C	TEFC	CEM3545	561	K	12.25	34	84	230/460	1.4		
		56C	TEFC	CM3545	419	K	11.35	24	75.5	230/460	1.8	30	
	1800	56C	TEFC	CEM3546	565	K	13.25	36	87.5	208-230/460	1.5		
		56C	TENV	CNM3546	462	K	10.44	39	83	208-230/460	1.5		
		56C	TEFC	CM3546	400	K	12.00	31	78.5	208-230/460	1.7		
		143TC	TEFC	CEM3581T	818	L1	13.05	56	87.5	208-230/460	1.5	1	
	1200	143TC	TEFC	CM3546T	434	LS	13.29	35	78.5	208-230/460	1.56	15	
		56C	TEFC	CM3556	534	K	13.23	35	75.5	208-230/460	1.7		
		145TC	TEFC	CM3556T	583	L1	13.29	40	80	208-230/460	1.8		
		3600	56C	TEFC	CEM3550	594	K	13.25	42	85.5	208-230-460	2	
			56C	TEFC	CM3550	455	K	12.35	30	80	208-230/460	2.3	
			56C	TEFC	CM3550/35	516	K	12.23	38	80	208-230/460	2.3	1,15,48
143TC	TEFC		CEM3583T	903	L1	13.05	57	85.5	208-230/460	2	1		
1 1/2	1800	143TC	TEFC	CM3550T	489	L1	13.29	39	82.5	208-230/460	2.1		
		56C	TEFC	CEM3554	624	K	14.10	45	88.5	208-230/460	2.1		
		56C	TEFC	CM3554	435	K	12.23	35	78.5	208-230/460	2.5		
		145TC	TEFC	CEM3584T	846	L1	13.05	60	88.5	208-230/460	2.1	1	
	1200	145TC	TEFC	CM3554T	444	LS	13.29	41	84	208-230/460	2.2	1	
		56C	TEFC	CM3557	608	K	13.23	38	75.5	230/460	2.5	2,20	
		182TC	TEFC	CM3607T	696	L1	16.55	69	85.5	208-230/460	2.8	2,20	
		3600	56C	TEFC	CEM3555	650	K	14.12	47	86.5	208-230/460	2.5	
56C	TEFC		CM3555	509	K	12.85	33	80	208-230/460	2.9			
56C	TEFC		CM3555/35	571	K	13.23	41	80	208-230/460	2.9	1,48		
145TC	TEFC		CEM3586T	905	L1	13.05	64	86.5	208-230/460	2.5	1		
145TC	TEFC		CM3555T	559	L1	13.29	43	84	208-230/460	2.6			
1800	56C		TEFC	CEM3558	660	K	14.10	47	86.5	208-230/460	2.7		
	56C		TEFC	CM3558	467	K	13.23	39	82.5	208-230/460	3.1		
	145TC		TEFC	CEM3587T	885	L1	13.05	64	88.5	208-230/460	2.7	1	
	145TC	TEFC	CM3558T	465	LS	13.29	49	82.5	208-230/460	2.9	15		
1200	184TC	TEFC	CM3614T	744	L1	16.55	74	86.5	208-230/460	3.5			
	184TC	TEFC	P18G3843	855	L1	16.38	119	86.9	230/460	2.9			

(a) See notes on inside back flap and pages 5-6.

Custom TEFC motors available through 2,250 Hp; Open and WPll custom motors through 15,000 Hp. Contact your Baldor•Reliance Sales Representative.

■ Cast Iron Frame

General Information

Premium Efficient Super-E® Motors

Single Phase Motors

General Purpose Industrial Motors

Severe Duty Motors

Washdown Duty Motors

Explosion Proof Motors

Pump Motors

Commercial Motors

HVAC Motors

Three Phase, Totally Enclosed, C-Face, Foot Mounted

Hp	RPM	NEMA Frame	Enclosure	Catalog Number	List Price	Mult. Sym.	"C" Dim.	Aprx. Wt. (lb)	Full Load Efficiency	Voltage	Full Load Amps	Notes (a)	
3	3600	56C	TEFC	CM3559	588	K	13.25	44	82.5	208-230/460	3.8	1	
		145TC	TEFC	CM3559T	636	L1	14.17	62	85.5	208-230/460	3.7	1	
		182TC	TEFC	CEM3610T	803	L1	16.55	67	89.5	230/460	5		
		182TC	TEFC	CEM3660T	1,006	L1	16.00	100	89.5	230/460	3.5	1,30	
		182TC	TEFC	CM3610T	704	L1	15.18	59	85.5	208-230/460	3.7	1	
		182TC	TEFC	CM3660T	901	L1	15.99	84	85.5	208-230/460	3.7	1	
		182TC	TEFC	↔P18G3844	901	L1	16.38	108	85.5	230/460	4	30	
	1800	182TC	TEFC	CEM3611T	767	LS	16.55	71	89.5	208-230/460	4.1		
		182TC	TEFC	CEM3661T	1,032	L1	16.00	98	89.5	230/460	4	1,30	
		182TC	TEFC	↔P18G3832	1,032	L1	17.88	134	89.5	230/460	4.2	30	
		182TC	TEFC	CM3611T	587	LS	16.56	71	87.5	208-230/460	4.1	1	
		182TC	TEFC	CM3661T	906	L1	15.99	98	87.5	208-230/460	4.1	1	
		182TC	TEFC	↔P18G3840	906	L1	16.38	117	87.5	230/460	4.1	30	
	1200	213TC	TEFC	CM3704T	978	L1	18.63	111	87.5	208-230/460	4.6	1	
		213TC	TEFC	P21G3842	1,125	L1	20.00	145	87.5	230/460	4.4		
	5	3600	184TC	TEFC	CEM3613T	884	L1	16.55	81	90.2	230/460	5.6	
			184TC	TEFC	CEM3663T	1,220	L1	16.00	107	90.2	230/460	5.7	1,30
			184TC	TEFC	CM3613T	800	L1	16.55	76	87.5	208-230/460	5.8	1
			184TC	TEFC	CM3663T	1,095	L1	15.99	94	87.5	208-230/460	5.9	1
			184TC	TEFC	↔P18G3845	1,095	L1	16.38	119	87.5	230/460	6.1	30
		1800	184TC	TEFC	CEM3615T	834	LS	18.05	92	90.2	230/460	6.5	
184TC			TEFC	CEM3665T	1,033	L1	16.00	113	90.2	208-230/460	6.5	1	
184TC			TEFC	↔P18G3833	1,033	L1	17.88	141	89.5	230/460	6.6	30	
184TC			TEFC	CM3615T	666	LS	16.55	81	87.5	208-230/460	7.1	1	
184TC			TEFC	CM3665T	918	L1	15.99	112	87.5	208-230/460	6.7	1	
184TC			TEFC	↔P18G3841	918	L1	16.38	122	87.5	230/460	6.5	30	
1200		215TC	TEFC	CM3708T	1,153	L1	19.76	124	87.5	208-230/460	7.5	1	
		215TC	TEFC	P21G3843	1,327	L1	20.00	157	87.5	230/460	6.8		
7 1/2		3600	184TC	TEFC	CM3616T	961	L1	18.05	88	88.5	208-230/460	8.7	1
			213TC	TEFC	CEM3769T	1,481	L1	19.20	180	91	230/460	8.6	1,30
	213TC		TEFC	CM3709T	1,210	L1	19.51	94	88.5	208-230/460	8.7	1	
	213TC		TEFC	CM3769T	1,317	L1	19.20	167	88.5	208-230/460	9	1	
	213TC		TEFC	↔P21G3844	1,317	L1	20.00	159	88.5	230/460	9	30	
	213TC		TEFC	CEM3770T	1,433	L1	19.20	175	91.7	230/460	9.5	1,30	
	1800	213TC	TEFC	↔P21G3832	1,433	L1	20.88	193	91.7	230/460	9.4	30	
		213TC	TEFC	CM3710T	865	LS	18.63	131	89.5	208-230/460	10.1	1	
		213TC	TEFC	CM3770T	1,280	L1	19.20	164	89.5	208-230/460	10.3	1	
		213TC	TEFC	↔P21G3840	1,280	L1	20.00	162	89.5	230/460	9.5	30	
		215TC	TEFC	CEM3771T	1,708	L1	19.20	197	91.7	230/460	11.2	1,30	
		215TC	TEFC	CM3711T	1,258	L1	18.63	127	89.5	208-230/460	11.5	1	
10	3600	215TC	TEFC	CM3771T	1,548	L1	19.20	167	89.5	230/460	11.5	1	
		215TC	TEFC	↔P21G3845	1,548	L1	20.00	155	89.5	230/460	11.7	30	
		215TC	TEFC	CEM3774T	1,588	L1	19.20	231	92.4	230/460	12.5	1,30	
		215TC	TEFC	↔P21G3833	1,588	L1	20.88	201	90.2	230/460	11.9	30	
	1800	215TC	TEFC	CM3714T	1,027	LS	19.76	141	89.5	208-230/460	13.5	1	
		215TC	TEFC	CM3774T	1,364	L1	19.20	170	89.5	208-230/460	13	1	
		215TC	TEFC	↔P21G3841	1,364	L1	20.00	171	89.5	230/460	12.2	30	
15	3600	215TC	TEFC	CM3713T	1,565	L1	21.25	167	90.2	208-230/460	17	1	
		215TC	TEFC	CM3773T	1,840	L1	19.20	214	90.2	208-230/460	17	1	
		254TC	TEFC	CEM2394T	2,627	L1	23.66	285	91.7	230/460	17.2	1,30	
		254TC	TEFC	P25G1120	2,254	L1	25.06	277	90.2	230/460	17.6	30	
	1800	254TC	TEFC	CEM2333T	2,457	L1	23.66	255	92.4	230/460	18.5	1,30	
		254TC	TEFC	↔P25G1124	2,457	L1	25.06	313	92.4	230/460	18.1	7,9	
		254TC	TEFC	CM2333T	2,090	LS	21.57	253	91	208-230/460	18.5	1	
		254TC	TEFC	↔P25G1118	2,090	LS	25.06	350	91	230/460	19.5		

(a) See notes on inside back flap and pages 5-6.

↔ = Functional Equivalent

■ Cast Iron Frame

**Three Phase, Totally Enclosed, C-Face, Foot Mounted**

Hp	RPM	NEMA Frame	Enclosure	Catalog Number	List Price	Mult. Sym.	"C" Dim.	Aprx. Wt. (lb)	Full Load Efficiency	Voltage	Full Load Amps	Notes (a)
20	3600	256TC	TEFC	<b>CEM4106T</b>	2,834	L1	23.66	258	92.4	230/460	22.5	1,30
		256TC	TEFC	<b>CM4106T</b>	2,475	L1	23.32	270	90.2	208-230/460	23	1
		256TC	TEFC	↳ <b>P25G1121</b>	2,475	L1	25.06	279	90.2	230/460	23.8	
	1800	256TC	TEFC	<b>CEM2334T</b>	2,871	L1	23.66	286	93	230/460	24	1,30
		256TC	TEFC	<b>CM2334T</b>	2,437	L1	23.32	245	91	230/460	25	1,30
		256TC	TEFC	↳ <b>P25G1119</b>	2,437	L1	25.06	297	91	230/460	25.4	
25	3600	284TSC	TEFC	<b>CEM4107T</b>	3,740	L1	24.57	383	93	230/460	28	1,30
		284TSC	TEFC	<b>CM4107T</b>	3,204	L1	24.57	361	91	230/460	28	1,30
		284TSC	TEFC	↳ <b>P28G1062</b>	3,204	L1	26.06	421	91	230/460	29.7	
	1800	284TC	TEFC	<b>CEM4103T</b>	3,797	L1	27.76	393	93.6	230/460	30	1,30
		284TC	TEFC	<b>CM4103T</b>	3,088	L1	25.96	354	92.4	230/460	29	1,30
		284TC	TEFC	↳ <b>P28G1060</b>	3,088	L1	27.44	421	92.4	230/460	31	
30	3600	284TSC	TEFC	<b>CM4108T</b>	3,304	L1	24.57	383	91	208-230/460	34	1
	1800	286TC	TEFC	<b>CEM4104T</b>	4,375	L1	27.76	437	94.1	230/460	36	1,30
		286TC	TEFC	<b>CM4104T</b>	3,525	L1	25.96	375	92.4	230/460	36	1,30
		286TC	TEFC	↳ <b>P28G1061</b>	3,525	L1	27.44	412	92.5	230/460	37	
40	3600	324TSC	TEFC	<b>CM4109T</b>	4,666	L1	28.89	486	91.7	230/460	45	1,30
	1800	324TC	TEFC	<b>CEM4110T</b>	5,575	L1	30.28	614	94.5	230/460	46	1,30
		324TC	TEFC	<b>CM4110T</b>	4,523	L1	30.39	594	93	230/460	48	1,30
		324TC	TEFC	↳ <b>P32G1038</b>	4,523	L1	30.44	588	93.2	230/460	49.5	
50	3600	326TSC	TEFC	<b>CM4114T</b>	4,730	L1	28.89	595	92.4	230/460	56	1,30
	1800	326TC	TEFC	<b>CEM4115T</b>	6,021	L1	30.28	645	94.5	230/460	57	1,30
		326TC	TEFC	<b>CM4115T</b>	4,655	L1	30.39	579	93	230/460	59	1
		326TC	TEFC	↳ <b>P32G1039</b>	4,655	L1	30.44	611	93	230/460	63.2	
60	3600	364TSC	TEFC	<b>CM4310T</b>	6,893	L1	30.72	769	93	230/460	67	1,30
	1800	364TC	TEFC	<b>CEM4314T</b>	8,395	L1	32.84	816	95	230/460	69	1,30
		364TC	TEFC	<b>CM4314T</b>	6,802	L1	32.84	778	93.6	230/460	71	1,30
75	3600	365TSC	TEFC	<b>CM4313T</b>	8,196	L1	30.72	762	93	230/460	83	1,30
	1800	365TC	TEFC	<b>CEM4316T</b>	9,674	L1	32.84	911	95.4	230/460	84	1,30
		365TC	TEFC	<b>CM4316T</b>	8,196	L1	32.84	820	94.1	230/460	86	1,30
100	1800	405TC	TEFC	<b>CEM4400T</b>	12,776	L1	38.06	1,191	95.4	230/460	109	1,30
		405TC	TEFC	<b>CM4400T</b>	10,185	L1	37.22	1,121	94.5	230/460	113	1

(a) See notes on inside back flap and pages 5-6.

Custom TEFC motors available through 2,250 Hp; Open and WPII custom motors through 15,000 Hp. Contact your Baldor•Reliance Sales Representative.

↳ = Functional Equivalent

■ Cast Iron Frame

General Information

Premium Efficient Super-E® Motors

Single Phase Motors

General Purpose Industrial Motors

Severe Duty Motors

Washdown Duty Motors

Explosion Proof Motors

Pump Motors

Commercial Motors

HVAC Motors



Three Phase,  
Totally Enclosed,  
C-Face, Footless

1/4 thru 30 Hp

NEMA 56C thru 286TC

**Applications:** Pumps, fans, conveyors, machine tools, gear reducers and other applications requiring a NEMA C-face motor.

**Features:** Ball bearings with a locked drive end bearing and heavy-gauge steel or cast iron frame. VEM Super-E® / XE motors have NEMA Premium® efficiency and 3 year warranty.



Hp	RPM	NEMA Frame	Enclosure	Catalog Number	List Price	Mult. Sym.	"C" Dim.	Aprx. Wt. (lb)	Full Load Efficiency	Voltage	Full Load Amps	Notes (a)	
1/4	1800	56C	TENV	<b>KENM3454</b>	431	K	10.44	30	80	208-230/460	0.4		
		56C	TEFC	<b>KM3454</b>	277	K	11.35	19	64	230/460	0.65	30	
		56C	TENV	<b>KNM3454</b>	292	K	10.25	19	64	208-230/460	0.65	2,20	
		1200	56C	TEFC	<b>VM3531</b>	423	K	11.35	19	68	230/460	0.7	30
1/3	3600	56C	TENV	<b>KM3457</b>	282	K	10.25	20	72	230/460	0.7	30	
		56C	TENV	<b>KNM3457/35</b>	455	K	10.44	33	74	208-230/460	0.7	1,48	
	1800	56C	TENV	<b>KENM3534</b>	476	K	10.44	31	80	208-230/460	0.6	1,48	
		56C	TENV	<b>KNM3534</b>	323	K	10.25	22	70	208-230/460	0.7	1,48	
		56C	TENV	<b>KNM3534/35</b>	408	K	10.44	21	78.5	208-230/460	0.7	1,48	
		1200	56C	TEFC	<b>VM3534</b>	299	LS	11.35	22	68	230/460	0.8	30
	56C		TENV	<b>KENM3535</b>	700	K	11.27	35	81.5	230/460	0.6	1,48	
		56C	TEFC	<b>VM3535</b>	475	K	11.35	21	70	230/460	0.9	30	
1/2	3600	56C	TEFC	<b>VM3537</b>	324	K	11.35	19	68	230/460	1	30	
		56C	TENV	<b>VNM3537</b>	456	K	10.44	32	77	208-230/460	0.8	1,48	
	1800	56C	TEFC	<b>VEM3538</b>	511	K	12.24	31	82.5	208-230/460	0	1,48	
		56C	TENV	<b>VENM3538</b>	539	K	11.27	35	84	230/460	0.8		
		56C	TEFC	<b>VM3538</b>	343	LS	11.35	23	74	230/460	1	30	
		1200	56C	TENV	<b>VNM3538</b>	373	K	10.25	22	74	208-230/460	1	2,20
	56C		TEFC	<b>VM3539</b>	510	K	11.35	23	72	230/460	1.2	30	
3/4	3600	56C	TEFC	<b>VM3541</b>	355	K	11.35	21	74	230/460	1.3	30	
		56C	TENV	<b>VNM3541</b>	488	K	10.40	38	83.8	208-230/460	1	1,48	
	1800	56C	TEFC	<b>VEM3542</b>	542	K	12.24	34	82.5	208-230/460	1.1	1	
		56C	TENV	<b>VENM3542</b>	589	L1	11.44	33	86.5	230/460	1.1	1,48	
		56C	TEFC	<b>VM3542</b>	365	LS	11.35	25	75.5	208-230/460	1.5		
		1200	56C	TEFC	<b>VM3543</b>	521	K	12.85	32	77	208-230/460	1.5	
	143TC		TEFC	<b>VM3543T</b>	521	L1	13.41	33	77	208-230/460	1.5		
1	3600	56C	TEFC	<b>VEM3545</b>	557	K	12.24	32	84	230/460	1.4	1,30	
		56C	TEFC	<b>VM3545</b>	415	K	11.35	23	75.5	230/460	1.8	30	
	1800	56C	TEFC	<b>VEM3546</b>	558	K	13.24	39	87.5	208-230/460	1.5	1	
		56C	TEFC	<b>VEM3581</b>	814	K	12.49	54	87.5	208-230/460	1.5	1	
		56C	TEFC	<b>VM3546</b>	381	LS	12.00	27	78.5	208-230/460	1.7		
		56C	TENV	<b>VNM3546</b>	447	K	11.44	39	82.5	208-230/460	1.45	1,48	
		143TC	TEFC	<b>VEM3546T</b>	569	L1	13.31	42	87.5	208-230/460	1.5	1	
		143TC	TEFC	<b>VEM3581T</b>	814	L1	13.04	55	87.5	208-230/460	1.5	1	
		143TC	TENV	<b>VENM3546T</b>	594	L1	11.50	14	87	230/460	1	1,48	
		143TC	TENV	<b>VENM3581T</b>	851	L1	11.68	55	86.5	230/460	1.4	1,48	
		1200	143TC	TEFC	<b>VM3546T</b>	429	LS	12.06	35	78.5	208-230/460	1.7	
	184C		TEFC	<b>VM3603</b>	730	L1	12.31	30	77	208-230/460	1.7		
		1200	56C	TEFC	<b>VEM3556</b>	725	K	13.24	43	82.5	208-230/460	1.8	1
	56C		TEFC	<b>VM3556</b>	532	K	13.23	37	75.5	208-230/460	1.7		
145TC	TEFC		<b>VM3556T</b>	578	L1	13.31	40	75.5	208-230/460	1.7			

(a) See notes on inside back flap and pages 5-6.

Cast Iron Frame

General Information  
Premium Efficient Super-E® Motors  
Single Phase Motors  
General Purpose Industrial Motors  
Severe Duty Motors  
Washdown Duty Motors  
Explosion Proof Motors  
Pump Motors  
Commercial Motors  
HVAC Motors

Three Phase, Totally Enclosed, C-Face, Footless

Hp	RPM	NEMA Frame	Enclosure	Catalog Number	List Price	Mult. Sym.	"C" Dim.	Aprx. Wt. (lb)	Full Load Efficiency	Voltage	Full Load Amps	Notes (a)
1 1/2	3600	56C	TEFC	VEM3550	588	K	13.24	41	85.5	208-230/460	2	1
		56C	TEFC	VM3550	451	K	11.97	28	80	208-230/460	2.3	
		143TC	TEFC	VM3550T	485	L1	12.04	30	80	208-230/460	2.3	
	1800	56C	TEFC	VEM3554	620	K	14.12	45	88.5	208-230/460	2.1	1
		56C	TEFC	VM3554	428	LS	12.23	34	78.5	208-230/460	2.5	
		145TC	TEFC	VEM3554T	594	L1	14.19	42	88.5	208-230/460	2.1	1
		145TC	TEFC	VEM3584T	816	L1	13.04	61	88.5	208-230/460	2.1	1
		145TC	TEFC	VM3554T	437	LS	12.31	34	78.5	208-230/460	2.5	
		184C	TEFC	VM3606	776	L1	12.31	34	78.5	208-230/460	2.5	
	1200	56C	TEFC	VM3557	607	K	13.23	40	75.5	230/460	2.5	2,20
		145TC	TEFC	VM3557T	604	L1	13.31	39	75.5	230/460	2.5	2,20
		184C	TEFC	VM3607	871	L1	13.31	39	75.5	230/460	2.5	
2	3600	56C	TEFC	VEM3555	645	K	14.12	49	86.5	208-230/460	2.5	1
		56C	TEFC	VM3555	503	K	12.85	33	80	208-230/460	2.9	
		145TC	TEFC	VM3555T	553	L1	12.92	34	80	208-230/460	2.9	
	1800	56C	TEFC	VEM3558	655	K	14.12	49	86.5	208-230/460	2.7	1
		56C	TEFC	VM3558	459	LS	13.23	44	82.5	208-230/460	3.1	
		145TC	TEFC	VEM3558T	666	L1	14.19	47	86.5	208-230/460	2.7	
		145TC	TEFC	VEM3587T	879	L1	13.04	64	88.5	208-230/460	2.7	1
		145TC	TEFC	VM3558T	459	LS	13.31	42	82.5	208-230/460	3.1	
		184C	TEFC	VM3609	806	L1	13.31	41	82.5	208-230/460	3.1	
	1200	184TC	TEFC	VM3664T	945	L1	15.24	99	86.5	208-230/460	3.5	1
		184TC	TEFC	P18G3881	945	L1	17.12	126	86.5	230/460	2.9	
		184TC	TEFC	VM3614T	731	L1	16.55	65	80	208-230/460	3.3	
184C		TEFC	VM3614	911	L1	15.68	63	80	208-230/460	3.3		
3	3600	56C	TEFC	VM3559	583	K	13.23	44	82.5	208-230/460	3.8	1
		145TC	TEFC	VM3559T	631	L1	13.31	45	82.5	208-230/460	3.8	1
		182TC	TEFC	VEM3610T	790	L1	16.55	64	89.5	230/460	3.5	
		182TC	TEFC	VM3610T	691	L1	14.30	50	82.5	208-230/460	3.8	1
		184C	TEFC	VM3610	784	L1	13.31	46	82.5	208-230/460	3.8	1
	1800	56C	TEFC	VM3561	611	K	14.10	49	84	208-230/460	4.1	1
		145TC	TEFC	VM3561T	611	L1	14.60	39	83.6	208-230/460	4.1	1
		182TC	TEFC	VEM3611T	755	LS	16.55	68	89.5	208-230/460	4.1	
		182TC	TEFC	VEM3661T	1,018	L1	16.00	97	89.5	230/460	4	1,30
		L182TC	TEFC	↔P18G1132	1,018	L1	17.12	131	89.5	230/460	4.2	30
		182TC	TEFC	VM3661T	893	L1	16.38	94	87.5	230/460	3.9	1,30
		182TC	TEFC	↔P18G3882	893	L1	17.12	122	87.5	230/460	3.9	
		182TC	TEFC	VM3611T	554	LS	15.18	56	84	208-230/460	4.1	1
		182TC	TEFC	↔P18S4107	554	LS	15.18	55	84	208-230/460	4.1	15
	1200	184C	TEFC	VM3611	716	LS	14.19	52	84	208-230/460	4.1	1
		213C	TEFC	VM3703	1,001	L1	15.30	57	82.5	208-230/460	4.3	1
		213TC	TEFC	VM3704T	958	L1	17.01	96	84	208-230/460	4.8	1
		215C	TEFC	VM3704	1,209	L1	16.64	94	84	208-230/460	4.8	1
5	3600	184TC	TEFC	VEM3613T	871	L1	16.55	78	90.2	230/460	5.6	
		184TC	TEFC	VM3663T	1,082	L1	15.99	89	87.5	208-230/460	5.9	1
		184TC	TEFC	↔P18G3887	1,082	L1	17.12	122	87.5	230/460	6.1	30
		184TC	TEFC	VM3613T	787	L1	16.55	69	87.5	208-230/460	5.8	1
		184C	TEFC	VM3613	846	L1	15.68	67	85.5	208-230/460	6	1
	1800	184TC	TEFC	VEM3615T	822	LS	18.05	92	90.2	230/460	6.5	
		184TC	TEFC	VEM3665T	1,020	L1	16.00	112	90.2	208-230/460	6.5	1
		L184TC	TEFC	↔P18G1133	1,020	L1	17.12	132	89.5	230/460	6.6	30
		184TC	TEFC	VM3665T	906	L1	15.99	106	87.5	208-230/460	6.7	1
		184TC	TEFC	↔P18G3883	906	L1	17.12	129	87.5	230/460	6.5	
		184C	TEFC	VM3615	678	LS	15.68	73	85.5	208-230/460	6.6	1
		184TC	TEFC	VM3615T	634	LS	16.55	75	85.5	208-230/460	6.6	1
		184TC	TEFC	↔P18A1015	641	LS	16.55	81	85.5	208-230/460	6.6	15
		215C	TEFC	VM3707	1,236	L1	16.67	76	85.5	208-230/460	6.6	1
	1200	215TC	TEFC	VM3708T	1,134	L1	18.63	123	86.5	208-230/460	7.6	1

(a) See notes on inside back flap and pages 5-6.

↔ = Functional Equivalent

■ Cast Iron Frame

General Information

Premium Efficient Super-E® Motors

Single Phase Motors

General Purpose Industrial Motors

Severe Duty Motors

Washdown Duty Motors

Explosion Proof Motors

Pump Motors

Commercial Motors

HVAC Motors

Three Phase, Totally Enclosed, C-Face, Footless

Hp	RPM	NEMA Frame	Enclosure	Catalog Number	List Price	Mult. Sym.	"C" Dim.	Aprx. Wt. (lb)	Full Load Efficiency	Voltage	Full Load Amps	Notes (a)
7 1/2	3600	184TC	TEFC	VM3616T	947	L1	18.05	88	87.5	208-230/460	8.6	2,20
		213TC	TEFC	VM3709T	1,190	L1	18.56	99	87.5	208-230/460	8.6	1
	1800	213TC	TEFC	VEM3770T	1,414	L1	19.25	170	91.7	230/460	9.5	1,30
		L213TC	TEFC	↔P21G1101	1,414	L1	20.12	184	91.7	230/460	9.4	30
		213TC	TEFC	VM3770T	1,254	L1	19.20	164	89.5	208-230/460	10.3	1
		213TC	TEFC	P21G3882	1,254	L1	20.12	169	89.5	230/460	9.5	
	213TC	TEFC	VM3710T	846	LS	18.63	117	87.5	208-230/460	10.9	1	
10	3600	215TC	TEFC	VM3711T	1,238	L1	18.63	122	87.5	208-230/460	11.9	1
		215TC	TEFC	VEM3774T	1,569	L1	19.25	231	92.4	230/460	12.5	1,30
	1800	L215TC	TEFC	↔P21G1102	1,569	L1	20.12	197	90.2	230/460	11.9	30
		215TC	TEFC	VM3714T	1,008	LS	19.76	129	89.5	208-230/460	13.5	1,20
		215TC	TEFC	VM3774T	1,339	L1	19.20	169	89.5	208-230/460	13	1
		215TC	TEFC	↔P21G3883	1,339	L1	20.12	175	89.5	230/460	12.2	30
1200	256TC	TEFC	VM2332T	2,093	L1	23.16	290	89.5	230/460	14.4	1,30	
15	3600	215TC	TEFC	VM3713T	1,546	L1	19.76	140	86.5	208-230/460	17	2,20
		254TC	TEFC	VM2394T	2,167	L1	20.32	200	86.5	208-230/460	17.5	1
	1800	254TC	TEFC	VM2333T	1,961	LS	20.32	199	89.5	208-230/460	18.9	1
20	3600	256TC	TEFC	VM4106T	2,346	L1	20.32	221	88.5	208-230/460	23	1
	1800	256TC	TEFC	VM2334T	2,296	LS	23.32	273	91	230/460	25	1,30
25	3600	284TSC	TEFC	VM4107T	3,011	L1	22.28	371	91	230/460	28	1,30
	1800	284TC	TEFC	VM4103T	2,880	LS	23.65	373	92.4	230/460	30	1,30
30	3600	286TSC	TEFC	VM4108T	3,227	L1	22.28	403	91	208-230/460	34	1
	1800	286TC	TEFC	VM4104T	2,936	LS	27.76	401	90.2	230/460	38	1,30

(a) See notes on inside back flap and pages 5-6.

↔ = Functional Equivalent

■ Cast Iron Frame

General Information

Premium Efficient Super-E® Motors

Single Phase Motors

General Purpose Industrial Motors

Severe Duty Motors

Washdown Duty Motors

Explosion Proof Motors

Pump Motors

Commercial Motors

HVAC Motors

Three Phase,  
Open Drip Proof,  
Foot Mounted

1/4 thru 600 Hp

NEMA 48 thru 5009L

**Applications:** Pumps, compressors, fans, conveyors, machine tools and other general purpose three phase applications.

**Features:** Copper windings, ball bearings and heavy duty steel or cast iron frames. Mount in any position. EM Super-E® / XE motors have NEMA Premium® efficiency and 3 year warranty.



Hp	RPM	NEMA Frame	Catalog Number	List Price	Mult. Sym.	"C" Dim.	Aprx. Wt. (lb)	Full Load Efficiency	Voltage	Full Load Amps	Notes (a)	
1/4	1800	48	M3003	245	K	9.13	18	64	230/460	0.65	30	
	1200	48	M3004	397	K	9.13	19	68	230/460	0.7	30	
		56	M3101	397	K	9.50	20	68	230/460	0.7	30	
1/3	3600	48	M3006	249	K	9.13	19	72	230/460	0.7	30	
	1800	48	M3007	263	K	9.13	20	68	230/460	0.8	30	
		56	M3104	252	LS	9.50	20	68	230/460	0.8	30	
	1200	48	M3008	388	K	9.13	21	70	230/460	0.9	30	
		56	M3105	415	K	10.25	22	70	230/460	0.9	30	
	3600	48	M3009	263	K	9.13	19	68	230/460	1	30	
1/2	3600	56	M3107	263	K	9.50	19	68	230/460	1	30	
		48	M3010	330	K	9.13	22	74	230/460	1	30	
	1800	56	M3108	287	LS	9.50	22	74	230/460	1	30	
		56	M3108A	390	K	10.25	23	74	230/460	1	30	
	1200	48	M3011	429	K	9.38	23	72	230/460	1.2	30	
		56	M3109	456	K	11.25	25	72	230/460	1.2	30	
	900	56	M3160	694	K	12.07	33	66	208-230/460	1.25		
	3/4	3600	48	M3012	316	K	9.13	21	74	230/460	1.3	30
			56	M3111	309	K	9.50	21	74	230/460	1.3	30
1800		48	M3013	367	K	9.75	25	75.5	208-230/460	1.5		
		56	M3112	320	LS	10.12	25	75.5	208-230/460	1.5		
1200		56	M3112A	427	K	11.25	26	74	230/460	1.5	30	
		56	M3153	492	K	12.25	32	77	208-230/460	1.5		
3600		143T	M3153T	492	L1	12.32	33	77	208-230/460	1.5		
		56	EM3115	461	K	11.06	32	84	230/460	1.4	1,30	
1		3600	56	M3115	358	K	9.50	23	75.5	230/460	1.8	30
	56		M3116	361	LS	11.75	29	78.5	208-230/460	1.7		
	1800	56	M3116A	474	K	11.75	27	74	208-230/460	2		
		143T	EM3116T	522	L1	11.62	36	87.5	230/460	1.5	1,30	
		143T	M3116T	363	LS	11.12	32	82.5	208-230/460	1.65		
		182	M3203	628	L1	12.62	35	77	208-230/460	1.7		
	1200	56H	M3156	524	K	11.75	37	75.5	208-230/460	1.7	36	
		145T	EM3156T	612	L1	12.12	39	82.5	230/460	1.8	1	
	900	145T	M3156T	512	L1	12.12	39	80	208-230/460	1.7		
		182T	M3216T	872	L1	13.62	56	74	230/460	2.2		
	1 1/2	3600	56	M3120	400	K	11.00	29	80	208-230/460	2.3	
			143T	EM3120T	514	L1	11.12	36	85.5	208-230/460	2.1	1
143T			M3120T	429	L1	11.12	34	82.5	208-230/460	2		
1800		56	M3154	417	LS	12.25	33	77	208-230/460	2.8		
		56	M3154A	473	K	11.07	33	78.5	208-230/460	2.4		
		143T	M3154T	425	LS	11.62	40	84	208-230/460	2.2		
		145T	EM3154T	546	L1	12.12	40	88.5	208-230-460	2.1	1	
		184	M3206	654	L1	12.62	38	78.5	208-230/460	2.4		
1200		56H	M3159	596	K	11.75	38	75.5	230/460	2.5	36	
		182T	EM3207T	716	L1	15.00	71	87.5	208-230/460	2.6	1	
		182T	M3207T	601	L1	15.00	63	85.5	230/460	2.6	1,30	
		900	184T	M3220T	1,060	L1	15.00	64	75.5	230/460	2.9	1

(a) See notes on inside back flap and pages 5-6.

■ Cast Iron Frame

General Information

Premium Efficient Super-E® Motors

Single Phase Motors

General Purpose Industrial Motors

Severe Duty Motors

Washdown Duty Motors

Explosion Proof Motors

Pump Motors

Commercial Motors

HVAC Motors

Three Phase, Open Drip Proof, Foot Mounted

Hp	RPM	NEMA Frame	Catalog Number	List Price	Mult. Sym.	"C" Dim.	Aprx. Wt. (lb)	Full Load Efficiency	Voltage	Full Load Amps	Notes (a)	
2	3600	56	M3155	467	K	11.00	32	80	208-230/460	2.9		
		143T	EM3155T	604	L1	11.62	37	86.5	208-230/460	2.5	1	
		145T	M3155T	475	L1	11.62	38	84	208-230/460	2.6		
		184	M3208	803	L1	12.62	36	81.5	208-230/460	2.8		
	1800	56H	M3157	434	LS	11.75	37	78.5	208-230/460	3.2	36	
		56HZ	M3157TA	542	K	12.13	36	81.5	208-230/460	2.9	37	
		145T	EM3157T	585	L1	13.00	46	86.5	230/460	2.7	1	
		145T	M3157T	434	LS	11.62	42	84	208-230/460	3		
	1200	184	M3209	704	L1	12.62	41	78.5	208-230/460	3.2		
		184T	EM3215T	732	L1	16.50	85	88.5	208-230/460	3.5	1	
		184T	M3215T	589	L1	15.00	67	85.5	230/460	3.6	1,30	
		213T	M3303T	1,308	L1	16.32	88	85.5	208-230/460	3.5		
900	56H	M3158	481	K	11.75	40	80	208-230/460	4	36		
3	3600	145T	EM3158T	612	L1	13.00	52	87.5	230/460	3.7	1,30	
		145T	M3158T	504	L1	12.13	45	84	208-230/460	3.7		
		184	M3210	853	L1	12.62	43	82.5	208-230/460	3.8		
		56HZ	M3161TA	601	K	14.38	57	84	208-230/460	4.2	37	
	1800	145T	M3161T	520	L1	14.38	58	86.5	208-230/460	4	1	
		182T	EM3211T	631	L1	15.00	69	90.2	230/460	4	1,30	
		182T	M3211T	453	LS	14.63	61	86.5	208-230/460	4	1	
		182T	M3211T/36	521	L1	15.00	62	86.5	208-230/460	4.3	1	
		182T	M3211TA	635	L1	14.63	59	86.5	208-230/460	4		
		184	M3211	706	L1	13.50	52	82.5	208-230/460	4.1	1	
		213	M3304	860	L1	16.63	67	82.5	208-230/460	4.3		
		213T	EM3305T	932	L1	16.32	114	88.5	230/460	4.4	1,30	
1200	213T	M3305T	692	L1	17.45	106	86.5	208-230/460	4.6			
	900	215T	M3306T	1,508	L1	17.45	111	86.5	208-230/460	5.2		
	5	3600	182T	EM3212T	668	L1	15.00	76	91	208-230/460	5.6	1
			182T	M3212T	522	L1	14.00	56	85.5	208-230/460	6.1	
213			M3307	958	L1	16.62	64	84	208-230/460	6		
1800	184T	EM3218T	691	L1	16.50	85	90.2	230/460	6.6	1,30		
	184T	M3218T	501	LS	15.00	70	87.5	208-230/460	6.9			
	184T	M3218TA	671	L1	15.00	70	87.5	208-230/460	7			
	215	M3308	902	L1	16.62	69	82.5	208-230/460	7			
	1200	215T	EM3309T	1,221	L1	17.45	126	90.2	230/460	7.3	1,30	
		215T	M3309T	907	L1	16.32	117	87.5	208-230/460	7.6		
900	254T	M2504T	2,108	L1	19.75	126	77	230/460	9.8			
7 1/2	3600	184T	EM3219T	1,060	L1	16.50	85	91	230/460	8	1	
		184T	M3219T	716	L1	15.00	72	87.5	208-230/460	8.7		
		215	M3310	1,213	L1	16.62	75	84	208-230/460	9		
	1800	213T	EM3311T	1,016	L1	16.32	117	91.7	230/460	9.6	1,30	
		213T	M3311T	711	LS	17.00	103	88.5	208-230/460	10		
		254U	M2505	1,628	L1	19.51	106	85.5	208-230/460	10.4		
	1200	254T	EM2506T	1,464	L1	23.19	245	91.7	230/460	10.7	1,30	
		254T	M2506T	1,119	L1	19.75	247	88.5	208-230/460	10.6	1	
		900	256T	M2508T	2,638	L1	23.19	255	88.5	230/460	12.7	1,30
	10	3600	213T	EM3312T	1,212	L1	17.45	130	91.7	230/460	11.5	1,30
			213T	M3312T	899	L1	16.32	109	88.5	208-230/460	11.6	
			215T	EM3313T	1,230	L1	17.45	128	91.7	230/460	12.5	1,30
1800		215T	M3313T	870	LS	16.32	110	89.5	208-230/460	13.4		
		256U	M2510	1,966	L1	21.44	177	90.2	230/460	13.6	1,30	
		254T	M2511T	1,448	L1	23.19	228	90.2	230/460	14.7	1,30	
1200		256T	EM2511T	1,905	L1	23.19	249	91.7	230/460	14.3	1,30	

(a) See notes on inside back flap and pages 5-6.

Cast Iron Frame

General Information

Premium Efficient Super-E@ Motors

Single Phase Motors

General Purpose Industrial Motors

Severe Duty Motors

Washdown Duty Motors

Explosion Proof Motors

Pump Motors

Commercial Motors

HVAC Motors



**Three Phase, Open Drip Proof, Foot Mounted**

Hp	RPM	NEMA Frame	Catalog Number	List Price	Mult. Sym.	"C" Dim.	Aprx. Wt. (lb)	Full Load Efficiency	Voltage	Full Load Amps	Notes (a)	
15	3600	215T	<b>EM3314T</b>	1,722	L1	17.45	147	91.7	230/460	17	1,30	
		215T	<b>M3314T</b>	1,314	L1	16.32	125	89.5	208-230/460	17.5		
	1800	254T	<b>EM2513T</b>	1,742	L1	21.69	217	93	230/460	17.7	1,30	
		254T	<b>M2513T</b>	1,315	LS	20.50	187	91	208-230/460	20.3	1	
		256T	<b>P25G3510</b>	1,897	L1	22.44	257	93	230/460	17.7	1	
		284U	<b>M2523</b>	2,571	L1	23.69	272	88.5	230/460	21	1,30	
	1200	284T	<b>EM2524T</b>	2,569	L1	23.81	375	92.4	230/460	20	1	
		284T	<b>M2524T</b>	1,893	L1	24.94	289	90.2	230/460	21.3	1,30	
20	3600	254T	<b>EM2514T</b>	2,023	L1	21.69	206	92.4	230/460	22.5	1,30	
		254T	<b>M2514T</b>	1,680	L1	21.69	167	90.2	230/460	24	1,30	
	1800	256T	<b>EM2515T</b>	2,187	L1	21.69	237	93	230/460	23.5	1,30	
		256T	<b>P25G3509</b>	2,384	L1	22.44	280	93	230/460	23.8	1	
		256T	<b>M2515T</b>	1,694	L1	22.25	187	91.7	230/460	24	1,30	
		256T	<b>M2515T-12</b>	1,736	L1	21.69	272	91	230/460	25	1,25,30	
	1200	286U	<b>M2527</b>	2,949	L1	23.69	295	91.7	230/460	25	1,30	
		286T	<b>EM2528T</b>	3,127	L1	25.06	372	93	230/460	26	1	
			286T	<b>M2528T</b>	2,322	L1	26.44	377	91	230/460	28.5	1,30
	25	3600	256T	<b>EM2516T</b>	2,429	L1	21.69	242	93	230/460	28	1,30
256T			<b>M2516T</b>	2,032	L1	21.69	202	91	230/460	29	1,30	
1800		284T	<b>EM2531T</b>	2,666	L1	23.81	330	94.1	230/460	30	1,30	
		284T	<b>P28G3504</b>	2,906	L1	24.94	381	93.6	230/460	29.7	1	
		284T	<b>M2531T</b>	2,053	L1	23.44	245	91.7	230/460	31	1,30	
		284T	<b>M2531T-12</b>	2,104	L1	23.44	245	91.7	230/460	31	25	
1200		326U	<b>M2531</b>	4,040	L1	26.56	387	91.7	230/460	31	1,30	
		324T	<b>EM2532T</b>	3,777	L1	27.69	478	93.6	230/460	32	1	
			324T	<b>M2532T</b>	3,263	L1	26.19	374	91.7	208-230/460	33	
30		3600	284TS	<b>EM2534T</b>	2,866	L1	22.44	323	93.6	230/460	34	1
	284TS		<b>M2534T</b>	2,151	L1	22.06	261	91	208-230/460	35		
	1800	286T	<b>EM2535T</b>	2,915	L1	25.06	372	94.1	230/460	35	1,30	
		286T	<b>P28G3505</b>	3,178	L1	24.94	393	94.1	230/460	37	1	
		286T	<b>M2535T</b>	2,401	L1	24.94	287	92.4	230/460	36	1,30	
		286T	<b>M2535T-12</b>	2,460	L1	24.94	283	92.4	230/460	36	1,25,30	
	1200	326U	<b>M2535</b>	4,434	L1	26.56	412	92.4	230/460	37		
		326T	<b>EM2536T</b>	3,940	L1	28.69	474	93.6	230/460	38	1	
		326T	<b>M2536T</b>	3,438	L1	27.19	367	92.4	208-230/460	39		
40	3600	286TS	<b>EM2538T</b>	3,693	L1	23.69	378	94.1	230/460	45	1	
		286TS	<b>P28G86</b>	4,026	L1	23.56	382	93.6	230/460	46	1	
		286TS	<b>M2538T</b>	3,028	L1	23.56	320	91.7	208-230/460	46		
	1800	324T	<b>EM2539T</b>	3,803	L1	26.69	441	94.5	230/460	46	1,30	
		324T	<b>P32G51</b>	4,146	L1	27.56	476	94.1	230/460	49.3	1	
		324T	<b>M2539T</b>	3,061	L1	26.19	354	93	208-230/460	49		
		324T	<b>M2539T-12</b>	3,137	L1	26.19	392	93	230/460	49	25	
	1200	364T	<b>EM2540T</b>	5,613	L1	29.69	827	94.1	230/460	50	1,30	
		364T	<b>M2540T</b>	5,045	L1	28.56	567	93	230/460	49	1,30	
	50	3600	324TS	<b>EM2542T</b>	4,022	L1	25.69	447	94.5	230/460	54	1
324TS			<b>P32G85</b>	4,561	L1	26.06	521	94.1	230/460	57.8	1	
324TS			<b>M2542T</b>	3,138	L1	24.69	386	92.4	208-230/460	58		
1800		326T	<b>EM2543T</b>	4,197	L1	27.69	472	95	230/460	57	1,30	
		326T	<b>M2543T</b>	3,593	L1	27.19	413	93	208-230/460	60		
		326T	<b>M2543T-12</b>	3,682	L1	27.19	390	93	230/460	62	1,25,30	
		326TS	<b>M2543TS-12</b>	3,682	L1	25.69	382	93	230/460	60	1,25,30	
1200		326T	<b>P32G52</b>	4,575	L1	27.56	518	94.1	230/460	59.6	1	
	365T	<b>EM2544T</b>	6,795	L1	29.69	857	94.1	230/460	62	1,30		
		365T	<b>M2544T</b>	6,074	L1	29.94	610	93	230/460	62	1,30	

(a) See notes on inside back flap and pages 5-6.

■ Cast Iron Frame

General Information

Premium Efficient Super-E® Motors

Single Phase Motors

General Purpose Industrial Motors

Severe Duty Motors

Washdown Duty Motors

Explosion Proof Motors

Pump Motors

Commercial Motors

HVAC Motors

Three Phase, Open Drip Proof, Foot Mounted

Hp	RPM	NEMA Frame	Catalog Number	List Price	Mult. Sym.	"C" Dim.	Aprx. Wt. (lb)	Full Load Efficiency	Voltage	Full Load Amps	Notes (a)	
60	3600	326TS	EM2546T	5,089	L1	25.19	463	94.5	230/460	65	1	
		326TS	M2546T	4,382	L1	24.69	389	93	230/460	68	1,30	
	1800	364T	EM2547T	5,284	L1	30.69	698	95	230/460	68	1,30	
		364T	P36G51	5,759	L1	29.70	644	95	230/460	69.5	1	
		364T	M2547T	4,432	L1	27.94	487	93.6	230/460	72	1,30	
		364T	M2547T-12	4,543	L1	27.94	523	93.6	230/460	72	1,25,30	
		364TS	M2547TS-12	4,543	L1	25.81	479	93.6	230/460	72	1,25,30	
		404T	EM2548T-4	8,627	L1	34.00	1,127	95	460	72	1,25	
	1200	404T	M2548T	7,229	L1	33.22	830	93.6	230/460	75	1,30	
		364TS	EM2549T	6,676	L1	25.81	737	94.5	230/460	82	1	
75	3600	364TS	M2549T	5,230	L1	25.81	472	93	230/460	84	1,30	
		365T	EM2551T	6,486	L1	33.72	808	95.4	230/460	86	1,30	
	1800	365T	P36G52	7,069	L1	29.70	727	95	230/460	86.5	1	
		365T	M2551T	5,440	L1	29.94	593	94.1	230/460	87	1,30	
		365T	M2551T-12	5,575	L1	29.94	593	94.1	230/460	87	1,25,30	
		365TS	M2551TS-12	5,575	L1	27.81	557	94.1	230/460	87	1,25,30	
		405T	EM2552T-4	9,605	L1	34.00	1,166	95	460	88	1,25	
		405T	M2552T	8,534	L1	33.22	610	93.6	230/460	94	1,30	
	1200	365TS	EM2550T	7,136	L1	26.81	810	94.5	230/460	109	1	
		365TS	M2550T	5,913	L1	26.81	561	93	230/460	113	1,30	
100	1800	404T	EM2555T-4	7,546	L1	36.97	898	95.4	460	115	1,25	
		404T	P40G297	8,225	L1	34.00	1,039	95.4	230/460	115	1	
		404T	M2555T	6,059	L1	33.22	797	94.1	230/460	119	1,30	
		404T	M2555T-12	6,210	L1	35.22	820	94.1	230/460	119	1,25,30	
		405TS	M2555TS-12	6,210	L1	31.85	578	94.1	230/460	119	1,25,30	
		444T	EM2583T-4	10,572	L1	39.62	1,349	95	460	123	1,25	
	1200	444T	M2583T	9,226	L1	39.62	1,312	94.1	230/460	119		
		404TS	EM2554T-4	8,956	L1	33.60	1,074	95.8	460	138	1,25	
	125	3600	404TS	P40G295	10,686	L1	31.00	1,021	95	460	143	1
			404TS	M2554T-4	6,886	L1	31.85	575	93.6	460	140	25
405T			EM2559T-4	9,257	L1	34.47	1,238	95.4	460	143	1,25	
1800		405T	P40G298	10,089	L1	34.00	1,129	95.4	460	141	1	
		405T	M2559T-4	6,966	L1	34.47	937	94.5	460	146	25	
		405TS	M2559TS-4	6,966	L1	31.10	725	94.5	460	146	25	
		445T	EM2557T-4	11,417	L1	39.62	1,535	95.8	460	146	1,25	
1200		445T	M2557T-4	9,873	L1	39.62	1,321	94.1	460	151	25	
		405TS	EM2556T-4	11,048	L1	34.60	831	95.8	460	164	1,25	
150		3600	405TS	M2556T-4	9,294	L1	31.85	612	93.6	460	164	25
	444T		EM2558T-4	10,283	L1	39.62	1,405	95.8	460	170	1,25	
	1800	444T	P44G455	10,283	L1	39.56	1,507	96.2	460	170	1	
		444T	M2558T-4	9,016	L1	39.62	1,392	95	460	173	25	
		444TS	M2558TS-4	9,016	L1	34.88	1,386	95	460	173	25	
		444TS	M2562T-4	10,251	L1	35.88	1,275	94.5	460	178	25	
		445T	EM2560T-4	13,446	L1	39.62	1,620	95.8	460	176	1,25	
		445T	M2560T-4	10,671	L1	39.62	1,421	94.5	460	178	25	
	3600	444TS	EM2562T-4	12,520	L1	35.88	1,326	95.4	460	217	1,25	
		445T	EM2563T-4	12,850	L1	39.62	1,496	95.8	460	226	1,25	
200	1800	445T	M2563T-4	10,519	L1	39.62	1,495	95	460	228	25	
		445T	M2564T-4	13,584	L1	39.62	1,522	94.5	460	239	25	
		447T	EM2564T-4	17,675	L1	48.12	1,909	95.8	460	234	1,25	
	3600	445TS	M2565T-4	12,771	L1	35.88	1,291	94.5	460	272	25	
250	1800	445T	EM2566T-4	14,410	L1	39.62	1,592	95.8	460	280	1,25	
		445T	M2566T-4	12,714	L1	39.62	1,511	95	460	291	25	
	3600	445TS	M2568T-4	19,962	L1	35.88	1,378	94.5	460	329	25	
300	1800	445T	EM2569T-4	18,886	L1	39.62	1,702	95.8	460	335	1,25	
		445T	M2569T-4	16,662	L1	39.62	1,528	95	460	346	25	

(a) See notes on inside back flap and pages 5-6.

■ Cast Iron Frame

Custom TEFC motors available through 2,250 Hp; Open and WPIL custom motors through 15,000 Hp. Contact your local Baldor•Reliance Sales Representative.

Three Phase, Open Drip Proof, Foot Mounted

Hp	RPM	NEMA Frame	Catalog Number	List Price	Mult. Sym.	"C" Dim.	Aprx. Wt. (lb)	Full Load Efficiency	Voltage	Full Load Amps	Notes (a)
350	3600	445TS	M2571T-4	22,845	L1	35.88	1,395	94.5	460	381	25
		449TS	M25352T-4	22,845	L1	44.38	1,599	94.5	460	381	1,25,63
	1800	449T	M2572T-4	22,571	L1	48.18	2,039	95.8	460	388	1,25,63
400	3600	449TS	M25402T-4	26,803	L1	44.38	2,300	93.6	460	440	1,25,63
		449T	M25404T-4	24,497	L1	48.12	2,059	94.5	460	448	1,25,63
450	3600	449TS	M25452T-4	29,514	L1	44.42	1,819	95.4	460	472	1,63
		449T	M25454T-4	27,705	L1	48.18	2,229	94.5	460	550	2,20,25,63
600	1800	5009L	M25604L-4	49,183	LM	56.62	5,346	96.2	460	658	1,8,44,64

(a) See notes on inside back flap and pages 5-6.

■ Cast Iron Frame

Custom TEFC motors available through 2,250 Hp; Open and WPll custom motors through 15,000 Hp. Contact your local Baldor•Reliance Sales Representative.

Medium Voltage, Three Phase, 2300/4000 Volts, WPI & WPll, Foot Mounted



300 thru 1,500 Hp

NEMA 5009L thru O5812

**Applications:** Petro-chemical plants, mines, foundries, pulp and paper plants, waste management facilities, chemical plants, tropical climates and other processing industry applications requiring protection against corrosion caused by severe environmental operating conditions.

**Features:** Super-E® Liberator design. Form coil VPI construction, high-pressure die cast aluminum rotor, all cast iron, NEMA Premium® efficiency three year warranty. Includes 100 ohm platinum winding RTDs and space heaters. Motors not convertible to roller bearing configuration.

Hp	RPM	NEMA Frame	Enclosure	Catalog Number	List Price	Mult. Sym.	"C" Dim.	Aprx. Wt. (lb)	Full Load Efficiency	Voltage	Full Load Amps	Notes (a)
300	1800	5009L	WPI	M25304L-2341	33,616	LM	56.62	4,500	94.5	2300/4160	38	1,27,64
500	1800	5009L	WPI	M25504L-2341	56,630	LM	56.62	4,700	95	2300/4160	64	1,27,64
900	3600	O5810	WPll	EM25902S-2340	94,305	LM	58.50	6,700	94.5	2300/4100	120	1,27,64
1,000	3600	O5808	WPll	EM251002S-2340	106,775	LM	58.50	6,700	94.4	2300/4100	135	1,27,64
1,250	3600	O5810	WPll	EM251252S-2340	116,712	LM	66.50	7,700	95.7	2300/4100	160	1,64,88
	1800	O5810	WPll	EM251254S-2340	115,072	LM	63.99	8,200	95.4	2300/4100	164	1,27,64
1,500	3600	O5810	WPll	EM251502S-2340	120,533	LM	66.50	7,700	95.8	2300/4100	191	1,64,88
	1800	O5812	WPll	EM251504S-2340	123,576	LM	72.99	9,500	95.7	2300/4100	191	1,27,64

(a) See notes on inside back flap and pages 5-6.

■ Cast Iron Frame

General Information

Premium Efficient Super-E® Motors

Single Phase Motors

General Purpose Industrial Motors

Severe Duty Motors

Washdown Duty Motors

Explosion Proof Motors

Pump Motors

Commercial Motors

HVAC Motors

**BALDOR • RELIANCE**

**Three Phase,  
Open Drip Proof,  
C-Face,  
Foot Mounted**

**1/3 thru 100 Hp**

**NEMA 56C thru 404TC**

**Applications:** Pumps, fans, conveyors, machine tools, gear reducers.

**Features:** Pressure cast aluminum end plates with ribbed design for rigidity, ball bearings, locked drive end bearing, heavy gauge steel frame.



Hp	RPM	NEMA Frame	Catalog Number	List Price	Mult. Sym.	"C" Dim.	Aprx. Wt. (lb)	Full Load Efficiency	Voltage	Full Load Amps	Notes (a)
1/3	1800	56C	<b>CM3104</b>	274	K	10.10	21	68	230/460	0.8	30
	3600	56C	<b>CM3107</b>	285	K	10.10	20	68	230/460	1	30
1/2	1800	56C	<b>CM3108</b>	310	K	10.10	23	74	230/460	1	30
	3600	56C	<b>CM3112</b>	349	K	10.73	27	75.5	208-230/460	1.5	
3/4	1800	56C	<b>CM3112</b>	349	K	10.73	27	75.5	208-230/460	1.5	
1	1800	143TC	<b>CM3116T</b>	402	L1	11.62	31	82.5	208-230/460	1.65	
1 1/2	1800	145TC	<b>CM3154T</b>	456	L1	11.62	38	84	208-230/460	2.2	
	3600	56C	<b>CM3155</b>	507	K	11.60	32	80	208-230/460	2.9	
2	1800	145TC	<b>CM3157T</b>	466	L1	11.62	39	84	208-230/460	3	
	3600	145TC	<b>CM3158T</b>	534	L1	12.12	45	84	208-230/460	3.7	1
3	1800	182TC	<b>CM3211T</b>	550	L1	14.00	67	86.5	208-230/460	4.2	1
	3600	182TC	<b>CM3212T</b>	580	L1	14.00	65	85.5	208-230/460	6.1	
5	1800	184TC	<b>CM3218T</b>	575	L1	15.00	71	87.5	208-230/460	6.9	
	3600	184TC	<b>CM3219T</b>	818	L1	15.00	68	87.5	208-230/460	8.7	
7 1/2	1800	213TC	<b>CM3311T</b>	846	L1	16.99	102	88.5	208-230/460	10	
	3600	213TC	<b>CM3312T</b>	1,030	L1	17.06	108	88.5	208-230/460	11.6	
10	1800	215TC	<b>CM3313T</b>	1,006	L1	17.06	129	89.5	208-230/460	13.4	
	3600	215TC	<b>CM3314T</b>	1,444	L1	17.06	129	89.5	208-230/460	17.5	1
15	1800	254TC	<b>CM2513T</b>	1,593	L1	19.56	172	91	208-230/460	19	1
	3600	254TC	<b>CM2514T</b>	1,949	L1	21.69	158	90.2	230/460	24	30
20	1800	256TC	<b>CM2515T</b>	1,966	L1	22.06	234	91.7	230/460	24	30
	3600	256TC	<b>CM2516T</b>	2,302	L1	21.69	186	91	230/460	29	30
25	1800	284TC	<b>CM2531T</b>	2,538	L1	23.44	226	91.7	230/460	31	30
	3600	286TC	<b>CM2535T</b>	2,885	L1	24.94	249	92.4	230/460	36	30
40	1800	324TC	<b>CM2539T</b>	3,737	L1	26.19	378	93	230/460	49	30
50	1800	326TC	<b>CM2543T</b>	4,270	L1	27.19	382	93	230/460	62	30
60	1800	364TC	<b>CM2547T</b>	5,211	L1	27.94	474	93.6	230/460	72	30
75	1800	365TC	<b>CM2551T</b>	6,218	L1	29.94	608	94.1	230/460	87	30
100	1800	404TC	<b>CM2555T</b>	6,921	L1	35.22	538	94.1	230/460	119	30

(a) See notes on inside back flap and pages 5-6.

General Information

Premium Efficient Super-E® Motors

Single Phase Motors

General Purpose Industrial Motors

Severe Duty Motors

Washdown Duty Motors

Explosion Proof Motors

Pump Motors

Commercial Motors

HVAC Motors

**Three Phase,  
Open Drip Proof,  
C-Face, Footless**

**1/4 thru 30 Hp**

**NEMA 56C thru 284TC**

**Applications:** Pumps, fans, conveyors, machine tools, gear reducers and other applications requiring a NEMA C-face motor.

**Features:** Pressure cast aluminum end plates with ribbed design for rigidity. Ball bearings with a locked drive end bearing and heavy-gauge steel frames.



Hp	RPM	NEMA Frame	Catalog Number	List Price	Mult. Sym.	"C" Dim.	Aprx. Wt. (lb)	Full Load Efficiency	Voltage	Full Load Amps	Notes (a)
1/4	1800	56C	KM3003	261	K	11.35	19	64	230/460	0.65	30
	3600	56C	KM3006	267	K	11.22	20	72	230/460	0.7	30
1/3	1800	56C	VM3104	268	LS	11.22	20	68	230/460	0.8	30
	3600	56C	VM3107	281	K	11.22	19	68	230/460	1	30
1/2	1800	56C	VM3108	305	LS	11.22	22	74	230/460	1	30
	1200	56C	VM3109	474	K	12.35	25	72	230/460	1.2	30
	3600	56C	VM3111	396	K	11.22	21	74	230/460	1.3	30
3/4	1800	56C	VM3112	337	LS	11.84	25	75.5	208-230/460	1.5	
	1200	56C	VM3153	510	K	13.35	33	77	208-230/460	1.5	
		143TC	VM3153T	510	L1	13.41	33	77	208-230/460	1.5	
1	3600	56C	VM3115	375	K	11.22	23	75.5	230/460	1.8	30
	1800	56C	VM3116	378	LS	12.35	29	78.5	208-230/460	1.7	1
		143TC	VM3116T	380	LS	12.41	30	78.5	208-230/460	1.7	1
	1200	145TC	VM3156T	529	L1	13.30	37	75.5	208-230/460	1.7	
1 1/2	3600	56C	VM3120	417	K	12.72	30	80	208-230/460	2.3	
		143TC	VM3120T	445	L1	13.10	31	80	208-230/460	2.3	
	1800	56C	VM3154	434	LS	13.22	34	77	208-230/460	2.8	
		145TC	VM3154T	443	LS	13.60	35	77	208-230/460	2.8	
1200	145TC	VM3159T	577	L1	13.30	41	75.5	230/460	2.5		
2	3600	56C	VM3155	485	K	13.22	32	80	208-230/460	2.9	
		143TC	VM3155T	491	L1	13.10	33	80	208-230/460	2.9	
	1800	56C	VM3157	450	LS	13.24	38	78.5	208-230/460	3.2	
		145TC	VM3157T	456	LS	13.30	38	78.5	208-230/460	3.2	
1200	184TC	VM3215T	601	L1	15.18	58	82.5	230/460	3.4		
3	3600	56C	VM3158	498	K	13.24	41	80	208-230/460	4	
		145TC	VM3158T	522	L1	13.30	40	80	208-230/460	4	
	1800	145TC	VM3161T	535	L1	14.18	53	82.5	208-230/460	4.1	1
		182TC	VM3211T	501	L1	15.18	61	82.5	208-230/460	4.1	1
		184C	VM3211	739	L1	14.18	50	82.5	208-230/460	4.1	1
1200	213TC	VM3305T	765	L1	17.06	98	84	208-230/460	4.8	1	
5	3600	182TC	VM3212T	566	L1	16.55	69	84	208-230/460	5.7	
	1800	184C	VM3218	588	L1	15.68	66	82.5	208-230/460	7	
		184TC	VM3218T	549	L1	16.55	65	82.5	208-230/460	7	
	1200	215TC	VM3309T	1,004	L1	18.68	113	84	208-230/460	7.9	
7 1/2	3600	184TC	VM3219T	694	L1	16.55	75	85.5	208-230/460	9	
	1800	213TC	VM3311T	811	L1	18.68	96	85.5	208-230/460	10.4	
10	3600	213TC	VM3312T	995	L1	18.68	107	88.5	208-230/460	11.6	
	1800	215TC	VM3313T	971	L1	18.68	129	89.5	208-230/460	13.4	
15	3600	215TC	VM3314T	1,409	L1	18.68	125	89.5	208-230/460	17.5	1
	1800	254TC	VM2513T	1,516	L1	20.42	141	89.5	230/460	19.1	
20	3600	254TC	VM2514T	1,873	L1	20.42	146	87.5	230/460	23	1
	1800	256TC	VM2515T	1,888	L1	19.29	211	91.7	230/460	24	30
25	3600	254TC	VM2516T	2,213	LS	22.00	180	88.5	230/460	30	30
	1800	284TC	VM2531T	2,407	L1	26.53	226	91.7	230/460	31	30
30	3600	284TSC	VM2534T	2,505	L1	24.15	234	91	230/460	34	30

(a) See notes on inside back flap and pages 5-6.

General Information

Premium Efficient Super-E® Motors

Single Phase Motors

General Purpose Industrial Motors

Severe Duty Motors

Washdown Duty Motors

Explosion Proof Motors

Pump Motors

Commercial Motors

HVAC Motors



**Three Phase,  
Totally Enclosed,  
460 & 230/460 Volts,  
Foot Mounted**

**1 thru 400 Hp**

**NEMA 143T thru 5011LY**

**Applications:** Petro-chemical plants, mines, foundries, pulp and paper plants, waste management facilities, chemical plants, tropical climates and other processing industry applications requiring protection against corrosion caused by severe environmental operating conditions.

**Features:** CP motors are XT design and ECP motors are XEX designs. 1.15 Service Factor, corrosion resistant epoxy finish, regreasable ball or roller bearings, oversized rotatable cast iron conduit box, cast iron frames, V-Ring shaft seal, moisture resistant copper windings, Class F insulation, tropicalization, stainless steel nameplate and corrosion resistant hardware. ECP/XEX Super-E® motors have NEMA Premium® efficiency and 3 year warranty.



General Information

Premium Efficient Super-E® Motors

Single Phase Motors

General Purpose Industrial Motors

Severe Duty Motors

Washdown Duty Motors

Explosion Proof Motors

Pump Motors

Commercial Motors

HVAC Motors

Hp	RPM	NEMA Frame	Enclosure	Catalog Number	List Price	Mult. Sym.	"C" Dim.	Aprx. Wt. (lb)	Full Load Efficiency	Voltage	Full Load Amps	Notes (a)	
1	3600	143T	TEFC	ECP3580T-4	799	SD	12.88	55	84	460	1.4	1	
		143T	TEFC	CP3580T-4	676	SD	12.75	50	77	460	1.5	1	
		143T	TENV	ENCP3580T-4	836	SD	11.38	56	84	230/460	1.4	1	
	1800	143T	TEFC	ECP3581T	878	SD	12.88	61	87.5	208-230/460	1.5	1	
		143T	TEFC	ECP3581T-4	878	SD	12.88	60	87.5	460	1.5	1	
		143T	TEFC	CP3581T	682	SD	12.75	55	82.5	208-230/460	1.65	1	
		143T	TEFC	CP3581T-4	682	SD	12.75	56	82.5	460	1.65	1	
	1200	143T	TENV	ENCP3581T-4	915	SD	11.38	60	87.5	230/460	1.5	1	
		145T	TEFC	ECP3582T	970	SD	12.88	67	82.5	208-230/460	1.8	1	
		145T	TEFC	ECP3582T-4	970	SD	12.88	64	82.5	460	1.8	1	
	900	145T	TEFC	CP3582T	811	SD	12.75	61	80	208-230/460	1.8	1	
		145T	TEFC	CP3582T-4	811	SD	12.75	61	80	460	1.8	1	
L182T		TEFC	ECP3687T-4	1,363	SD	17.12	135	82.5	460	1.75	1		
1 1/2	3600	143T	TEFC	ECP3583T-4	909	SD	12.88	66	85.5	460	2	1	
		143T	TEFC	CP3583T-4	767	SD	12.75	49	82.5	460	2.1	1	
	1800	145T	TEFC	ECP3584T	895	SD	12.88	67	88.5	208-230/460	2.1	1	
		145T	TEFC	ECP3584T-4	895	SD	12.88	65	88.5	460	2.1	1	
		145T	TEFC	CP3584T	696	SD	12.75	60	84	208-230/460	2.3	1	
	1200	145T	TEFC	CP3584T-4	696	SD	12.75	62	84	460	2.1	1	
		182T	TEFC	ECP3667T	1,135	SD	15.62	136	87.5	208-230/460	2.4	1	
		182T	TEFC	ECP3667T-4	1,135	SD	15.62	135	87.5	460	2.4	1	
		182T	TEFC	CP3667T	933	SD	15.62	124	85.5	208-230/460	2.2	1	
	900	182T	TEFC	CP3667T-4	933	SD	15.62	125	85.5	460	2.2	1	
		L184T	TEFC	ECP3668T-4	1,696	SD	17.12	146	84	460	2.4	1	
		145T	TEFC	ECP3586T-4	951	SD	12.88	66	86.5	460	2.5	1	
2	3600	145T	TEFC	CP3586T-4	816	SD	12.75	64	84	460	2.6	1	
		145T	TEFC	ECP3587T	934	SD	12.88	69	86.5	208-230/460	2.7	1	
	1800	145T	TEFC	ECP3587T-4	934	SD	12.88	69	86.5	460	2.7	1	
		145T	TEFC	CP3587T	715	SD	12.75	64	84	208-230/460	2.8	1	
		145T	TEFC	CP3587T-4	715	SD	12.75	64	84	460	2.8	1	
	1200	L184T	TEFC	ECP3664T	1,150	SD	17.12	144	88.5	208-230/460	3	1	
		L184T	TEFC	ECP3664T-4	1,150	SD	17.12	137	87.5	460	2.8	1	
		184T	TEFC	CP3664T	998	SD	15.62	123	86.5	208-230/460	2.9	1	
		184T	TEFC	CP3664T-4	998	SD	15.62	129	86.5	460	2.9	1	
	900	L213T	TEFC	ECP3772T-4	2,139	SD	20.19	200	85.5	460	3.2	1	
		3600	182T	TEFC	ECP3660T	1,125	SD	15.62	104	88.5	230/460	3.6	1
			182T	TEFC	ECP3660T-4	1,125	SD	15.62	118	88.5	460	3.6	1
182T	TEFC		CP3660T-4	981	SD	15.62	110	85.5	460	4	1		
1800	L182T	TEFC	ECP3661T	1,182	SD	17.12	131	89.5	230/460	4.2	1,30		
	182T	TEFC	ECP3661T-4	1,182	SD	15.62	136	89.5	460	4.2	1		
	182T	TEFC	CP3661T	1,005	SD	15.62	115	87.5	230/460	3.9	1,30		
	182T	TEFC	CP3661T-4	1,005	SD	15.62	115	87.5	460	3.9	1		

(a) See notes on inside back flap and pages 5-6.

All ratings are 1.15 service factor at 40°C ambient. All ratings meet 50°C ambient at 1.00 service factor and weatherproof intent of IEEE 45 and USCG 259 marine duty (below deck).

Custom TEFC motors available through 2250 Hp; Open and WPII motors through 15000 Hp. Contact your Baldor•Reliance Sales Representative.

**FOR OTHER 208-230/460 VOLT REQUIREMENTS, PLEASE SEE DIRTY DUTY MOTORS ON PAGE 75.**

Cast Iron Frame

Three Phase, Totally Enclosed, 460 & 230/460 Volts, Foot Mounted

Hp	RPM	NEMA Frame	Enclosure	Catalog Number	List Price	Mult. Sym.	"C" Dim.	Aprx. Wt. (lb)	Full Load Efficiency	Voltage	Full Load Amps	Notes (a)
3	1200	213T	TEFC	ECP3764T	1,660	SD	19.31	181	89.5	230/460	4.2	1,30
		213T	TEFC	ECP3764T-4	1,660	SD	19.31	186	89.5	460	4.2	1,30
		213T	TEFC	CP3764T	1,354	SD	19.31	152	87.5	208-230/460	4.4	1
		213T	TEFC	CP3764T-4	1,354	SD	19.31	154	87.5	460	4.4	1
	900	L215T	TEFC	ECP3775T-4	2,320	SD	20.19	205	85.5	460	4.7	1
5	3600	184T	TEFC	ECP3663T	1,384	SD	15.93	128	88.5	230/460	5.6	1
		184T	TEFC	ECP3663T-4	1,384	SD	15.62	128	88.5	460	6	1
		184T	TEFC	CP3663T-4	1,237	SD	15.62	120	87.5	460	6.1	1
	1800	L184T	TEFC	ECP3665T	1,203	SD	17.12	143	89.5	230/460	6.6	1,30
		L184T	TEFC	ECP3665T-4	1,203	SD	17.12	137	89.5	460	6.6	1
		184T	TEFC	CP3665T	1,038	SD	15.62	125	87.5	208-230/460	6.5	1
		184T	TEFC	CP3665T-4	1,038	SD	15.62	121	87.5	460	6.5	1
	1200	L215T	TEFC	ECP3768T	1,682	SD	20.19	199	89.5	230/460	6.8	1,30
		L215T	TEFC	ECP3768T-4	1,682	SD	20.19	197	89.5	460	6.8	1
		215T	TEFC	CP3768T	1,576	SD	19.31	164	87.5	208-230/460	6.8	1
		215T	TEFC	CP3768T-4	1,576	SD	19.31	163	87.5	460	6.8	1
	900	254T	TEFC	ECP2280T-4	3,693	SD	24.56	337	89.5	460	7.3	1
7 1/2	3600	213T	TEFC	ECP3769T	1,806	SD	19.31	178	90.2	230/460	8.6	1
		213T	TEFC	ECP3769T-4	1,806	SD	19.31	191	90.2	460	8.6	1
		213T	TEFC	CP3769T-4	1,557	SD	19.31	163	88.5	460	9	1
	1800	L213T	TEFC	ECP3770T	1,515	SD	20.19	199	91.7	230/460	9.4	1
		L213T	TEFC	ECP3770T-4	1,515	SD	20.19	199	91.7	460	9.4	1
		213T	TEFC	CP3770T	1,384	SD	19.31	167	89.5	208-230/460	9.5	1
		213T	TEFC	CP3770T-4	1,384	SD	19.31	168	89.5	460	10.3	1
	1200	254T	TEFC	ECP2276T	2,407	SD	24.56	344	91	230/460	9.9	1
		254T	TEFC	ECP2276T-4	2,407	SD	24.56	308	90.2	460	9.6	1
		254T	TEFC	CP2276T	1,712	SD	24.56	301	89.5	208-230/460	9.8	1
		254T	TEFC	CP2276T-4	1,712	SD	23.56	296	89.5	460	9.8	1
	900	256T	TEFC	ECP2401T-4	4,223	SD	24.56	370	90.2	460	10.5	1
10	3600	215T	TEFC	ECP3771T	1,923	SD	19.31	188	91	230/460	11.1	1
		215T	TEFC	ECP3771T-4	1,923	SD	19.31	188	91	460	11.1	1
		215T	TEFC	CP3771T-4	1,666	SD	19.31	168	89.5	460	11.7	1
	1800	L215T	TEFC	ECP3774T	1,814	SD	20.19	210	91.7	230/460	12.3	1
		L215T	TEFC	ECP3774T-4	1,814	SD	20.19	210	91.7	460	12.3	1
		215T	TEFC	CP3774T	1,500	SD	19.31	178	89.5	208-230/460	12.2	1
		215T	TEFC	CP3774T-4	1,500	SD	19.31	178	89.5	460	13	1
	1200	256T	TEFC	ECP2332T	3,127	SD	24.56	347	91	230/460	12.5	1
		256T	TEFC	ECP2332T-4	3,127	SD	24.56	342	91	460	12.5	1
		256T	TEFC	CP2332T	2,420	SD	24.56	310	89.5	230/460	12.9	1
		256T	TEFC	CP2332T-4	2,420	SD	24.56	310	89.5	460	12.9	1
	900	284T	TEFC	ECP2402T-4	4,926	SD	27.44	445	90.2	460	13.7	1
15	3600	215T	TEFC	CP3773T-4	2,098	SD	19.32	226	90.2	460	17	1
		254T	TEFC	ECP2294T	2,460	SD	24.56	349	91.7	230/460	16.8	1
		254T	TEFC	ECP2394T-4	2,460	SD	24.56	349	91.7	460	16.8	1
		254T	TEFC	CP2394T-4	2,144	SD	24.56	291	90.2	460	17.6	1
	1800	254T	TEFC	ECP2333T	2,311	SD	24.56	326	92.4	230/460	18.1	1
		254T	TEFC	ECP2333T-4	2,311	SD	24.56	323	92.4	460	18.1	1
		254T	TEFC	CP2333T	1,993	SD	24.56	299	91	208-230/460	19.5	1
		254T	TEFC	CP2333T-4	1,993	SD	21.94	297	91	460	18.5	1
	1200	284T	TEFC	ECP4100T	3,585	SD	27.44	439	92.4	230/460	18.7	1
		284T	TEFC	ECP4100T-4	3,585	SD	27.44	441	92.4	460	18.7	1
		284T	TEFC	CP4100T-4	3,403	SD	26.03	386	90.2	460	21	1
		284T	TEFC	CP4100T	3,403	SD	27.56	384	90.2	230/460	21	1,30
900	286T	TEFC	ECP2395T-4	6,576	SD	27.44	442	90.2	460	20	1	

(a) See notes on inside back flap and pages 5-6.

All ratings are 1.15 service factor at 40°C ambient. All ratings meet 50°C ambient at 1.00 service factor and weatherproof intent of IEEE 45 and USCG 259 marine duty (below deck).

Custom TEFC motors available through 2250 Hp; Open and WPII motors through 15000 Hp. Contact your Baldor•Reliance Sales Representative.

**FOR OTHER 208-230/460 VOLT REQUIREMENTS, PLEASE SEE DIRTY DUTY MOTORS ON PAGE 75.**

■ Cast Iron Frame

General Information

Premium Efficient Super-E® Motors

Single Phase Motors

General Purpose Industrial Motors

Severe Duty Motors

Washdown Duty Motors

Explosion Proof Motors

Pump Motors

Commercial Motors

HVAC Motors

Three Phase, Totally Enclosed, 460 & 230/460 Volts, Foot Mounted

Hp	RPM	NEMA Frame	Enclosure	Catalog Number	List Price	Mult. Sym.	"C" Dim.	Aprx. Wt. (lb)	Full Load Efficiency	Voltage	Full Load Amps	Notes (a)	
20	3600	256T	TEFC	ECP4106T	2,870	SD	24.56	348	91.7	230/460	22.3	1	
		256T	TEFC	ECP4106T-4	2,870	SD	24.56	345	91.7	460	22.3	1	
		256T	TEFC	CP4106T-4	2,174	SD	24.56	298	90.2	460	23.8	1	
	1800	256T	TEFC	ECP2334T	2,479	SD	24.56	356	93	230/460	24	1	
		256T	TEFC	ECP2334T-4	2,479	SD	24.56	355	93	460	24	1	
		256T	TEFC	CP2334T	2,220	SD	24.56	316	91	230/460	25.4	1	
	1200	256T	TEFC	CP2334T-4	2,220	SD	24.56	310	91	460	25.4	1	
		286T	TEFC	ECP4102T	4,871	SD	27.44	453	92.4	230/460	24.8	1	
		286T	TEFC	ECP4102T-4	4,871	SD	27.44	456	92.4	460	24.8	1	
	900	286T	TEFC	CP4102T	3,967	SD	27.44	425	90.2	230/460	27	1	
		286T	TEFC	CP4102T-4	3,967	SD	27.44	414	90.2	460	27	1	
		324T	TEFC	ECP4112T-4	7,497	SD	30.44	620	91	460	26.5	1	
25	3600	284TS	TEFC	ECP4107T	3,449	SD	26.06	398	93	230/460	28.1	1	
		284TS	TEFC	ECP4107T-4	3,449	SD	26.06	449	93	460	28.1	1	
		284TS	TEFC	CP4107T-4	2,722	SD	26.06	457	91	460	29.7	1	
	1800	284T	TEFC	ECP4103T	3,244	SD	27.44	454	93.6	230/460	29.7	1	
		284T	TEFC	ECP4103T-4	3,244	SD	27.44	456	93.6	460	29.7	1	
		284T	TEFC	CP4103T	2,693	SD	27.44	412	92.4	230/460	31	1	
	1200	284T	TEFC	CP4103T-4	2,693	SD	27.44	414	92.4	460	29	1	
		324T	TEFC	ECP4111T	5,090	SD	30.44	651	93	230/460	30.9	1	
		324T	TEFC	ECP4111T-4	5,090	SD	30.44	650	93	460	30.9	1	
	3600	324T	TEFC	CP4111T	4,839	SD	30.44	575	91.7	230/460	33	1	
		324T	TEFC	CP4111T-4	4,839	SD	30.44	587	91.7	460	33	1	
		286TS	TEFC	ECP4108T	4,205	SD	26.06	450	93	230/460	33.9	1	
30	1800	284TS	TEFC	CP4108T-4	2,977	SD	24.66	411	91	460	34	1	
		286TS	TEFC	ECP4108T-4	4,205	SD	26.06	451	93	460	33.9	1	
		286T	TEFC	ECP4104T	3,852	SD	27.44	462	93.6	230/460	36.1	1	
	1200	286T	TEFC	ECP4104T-4	3,852	SD	27.44	452	93.6	460	36.1	1	
		286T	TEFC	CP4104T	3,231	SD	27.44	427	92.4	230/460	37	1	
		286T	TEFC	CP4104T-4	3,231	SD	27.44	417	92.4	460	36	1	
	3600	326T	TEFC	ECP4117T	6,562	SD	30.44	698	93.6	230/460	36.4	1	
		326T	TEFC	ECP4117T-4	6,562	SD	30.44	695	93.6	460	36.4	1	
		326T	TEFC	CP4117T	5,133	SD	30.44	608	91.7	230/460	38.9	1	
	40	1800	326T	TEFC	CP4117T-4	5,133	SD	30.44	608	91.7	460	39	1
			324TS	TEFC	ECP4109T	5,777	SD	28.94	557	94.1	230/460	44.3	1
			324TS	TEFC	ECP4109T-4	5,777	SD	28.94	653	94.1	460	44.3	1
1200		324TS	TEFC	CP4109T-4	4,309	SD	28.94	560	91.7	460	45	1	
		324T	TEFC	ECP4110T	5,040	SD	30.44	647	94.1	230/460	47.7	1	
		324T	TEFC	ECP4110T-4	5,040	SD	30.44	658	94.1	460	47.7	1	
3600		324T	TEFC	CP4110T	4,299	SD	30.44	619	93	230/460	49.5	1	
		324T	TEFC	CP4110T-4	4,299	SD	30.44	615	93	460	47	1	
		364T	TEFC	ECP4308T	8,179	SD	33.44	865	94.1	230/460	49.4	1	
50		1800	364T	TEFC	ECP4308T-4	8,179	SD	33.44	893	94.1	460	49.4	1
			364T	TEFC	CP4308T	7,106	SD	33.44	817	93	230/460	49.4	1
			326TS	TEFC	ECP4114T	6,054	SD	28.94	683	94.1	230/460	55.5	1
	1200	326TS	TEFC	ECP4114T-4	6,054	SD	28.94	680	94.1	460	55.5	1	
		326T	TEFC	ECP4115T	5,916	SD	30.44	720	94.5	230/460	58.4	1	
		326T	TEFC	ECP4115T-4	5,916	SD	30.44	704	94.5	460	58.4	1	
	3600	326T	TEFC	CP4115T	5,075	SD	30.44	634	93	230/460	63.2	1	
		326T	TEFC	CP4115T-4	5,075	SD	30.44	630	93	460	60	1	
		365T	TEFC	ECP4312T	8,712	SD	33.44	899	94.1	230/460	61	1	
	1200	365T	TEFC	ECP4312T-4	8,712	SD	33.44	893	94.1	460	61.7	1	
		365T	TEFC	CP4312T	7,568	SD	32.84	820	93	230/460	61	1	

(a) See notes on inside back flap and pages 5-6.

All ratings are 1.15 service factor at 40°C ambient. All ratings meet 50°C ambient at 1.00 service factor and weatherproof intent of IEEE 45 and USCG 259 marine duty (below deck).

Custom TEFC motors available through 2250 Hp; Open and WPII motors through 15000 Hp. Contact your Baldor•Reliance Sales Representative.

**FOR OTHER 208-230/460 VOLT REQUIREMENTS, PLEASE SEE DIRTY DUTY MOTORS ON PAGE 75.**

Cast Iron Frame

General Information

Premium Efficient Super-E® Motors

Single Phase Motors

General Purpose Industrial Motors

Severe Duty Motors

Washdown Duty Motors

Explosion Proof Motors

Pump Motors

Commercial Motors

HVAC Motors

Three Phase, Totally Enclosed, 460 & 230/460 Volts, Foot Mounted

Hp	RPM	NEMA Frame	Enclosure	Catalog Number	List Price	Mult. Sym.	"C" Dim.	Aprx. Wt. (lb)	Full Load Efficiency	Voltage	Full Load Amps	Notes (a)	
60	3600	364TS	TEFC	ECP4310T	8,786	SD	31.31	748	95	230/460	65.1	1	
		364TS	TEFC	ECP4310T-4	8,786	SD	31.31	816	95	460	65.1	1	
	1800	364T	TEFC	ECP4314T	7,929	SD	33.44	847	95	230/460	69	1	
		364T	TEFC	ECP4314T-4	7,929	SD	33.44	862	95	460	68	1	
		364T	TEFC	CP4314T	6,869	SD	33.44	785	93.6	230/460	73.4	1	
		364T	TEFC	CP4314T-4	6,869	SD	33.44	793	93.6	460	71	1	
	1200	404T	TEFC	ECP4403T	11,900	SD	38.31	1,257	94.5	230/460	72	1	
		404T	TEFC	ECP4403T-4	11,900	SD	38.31	1,308	95	460	69	1	
		405T	TEFC	CP4403T	10,570	SD	38.31	1,173	93.6	230/460	70	1	
	75	3600	365TS	TEFC	ECP4313T	9,822	SD	31.31	964	95	230/460	80.7	1
365TS			TEFC	ECP4313T-4	9,822	SD	31.31	911	95	460	80.7	1	
1800		365T	TEFC	ECP4316T	9,265	SD	33.44	931	95.4	230/460	85.9	1	
		365T	TEFC	ECP4316T-4	9,265	SD	33.44	887	95.4	460	85.9	1	
		365T	TEFC	CP4316T	8,256	SD	33.44	826	94.1	230/460	87	1	
		365T	TEFC	CP4316T-4	8,256	SD	33.44	868	94.1	460	86	1	
1200		405T	TEFC	ECP4404T	14,483	SD	38.31	1,305	95	230/460	88	1	
		405T	TEFC	ECP4404T-4	14,483	SD	38.31	1,160	95	460	86.9	1	
		405T	TEFC	CP4404T	12,585	SD	38.31	1,218	93.6	230/460	88	1	
100		3600	405TS	TEFC	ECP4402T	12,346	SD	35.31	1,119	93.6	230/460	116	1
	405TS		TEFC	ECP4402T-4	12,346	SD	35.31	1,266	95	460	110	1	
	1800	405T	TEFC	ECP4400T-4	12,162	SD	38.31	1,343	95.4	460	112	1	
		405TS	TEFC	ECP4400TS-4	12,162	SD	35.31	1,292	95.4	460	112	1	
		405T	TEFC	CP4400T-4	9,461	SD	38.31	1,190	94.5	460	113	1	
	1200	444T	TEFC	ECP4409T-4	15,930	SD	44.62	1,765	95	460	115	1	
	125	3600	444TS	TEFC	ECP4412T	14,507	SD	40.88	1,654	94.5	230/460	144	1
			444TS	TEFC	ECP4412T-4	14,507	SD	40.88	1,712	95.4	460	137	1
		1800	444T	TEFC	ECP4410T-4	14,378	SD	44.62	1,781	95.8	460	139	1
		1200	445T	TEFC	ECP4411T-4	17,996	SD	44.62	1,884	95.4	460	143	1
150	3600	445TS	TEFC	ECP4413T	17,007	SD	40.88	1,634	94.5	460	173	1	
		445TS	TEFC	ECP4413T-4	17,007	SD	40.88	1,921	96.2	460	164	1	
	1800	445T	TEFC	ECP4406T-4	16,844	SD	44.62	1,922	96.2	460	165	1	
		445T	TEFC	CP4406T-4	15,286	SD	44.62	1,730	95	460	170	1	
		445T	TEFC	ECP44156T-4	20,290	SD	48.40	2,006	95.4	460	170	1	
	1200	447T	TEFC	ECP44156TR-4	20,290	SD	48.40	2,048	96.2	460	173	1,5	
	200	3600	445TS	TEFC	ECP44202T-4	20,139	SD	40.88	1,986	96.2	460	222	1
445TS			TEFC	CP44404T-4	18,604	SD	40.88	1,841	95	460	220	1	
447TS			TEFC	ECP4416T-4	20,139	SD	44.16	2,129	96.2	460	222	1	
1800		445T	TEFC	CP44204TR-4	18,817	SD	44.63	1,961	95	460	225	1,5	
		447T	TEFC	ECP4407T-4	20,263	SD	48.40	2,417	96.2	460	221	1,27	
		447T	TEFC	ECP4407TR-4	20,555	SD	48.40	2,077	96.2	460	221	1,5	
		447TS	TEFC	ECP4407TS-4	20,555	SD	44.65	2,358	96.2	460	221	1,27	
1200		449T	TEFC	ECP44206T-4	26,578	SD	53.40	2,809	96.2	460	223	1,27	
		449T	TEFC	ECP44206TR-4	26,578	SD	53.40	2,848	96.2	460	223	1,5	
250		3600	449TS	TEFC	ECP44252T-4	30,796	SD	44.65	2,424	96.2	460	275	1,27
	1800	447T	TEFC	CP44254TR-4	23,197	SD	48.40	2,030	95.4	460	278	1,5	
		449T	TEFC	ECP4408TR-4	25,714	SD	53.40	2,764	96.2	460	272	1,5	
		449T	TEFC	ECP4408T-4	25,714	SD	53.40	2,745	96.2	460	272	1,27	
	1200	449T	TEFC	ECP44256T-4	37,079	SD	53.40	2,973	96.2	460	283	1,27	
		449T	TEFC	ECP44256TR-4	37,079	SD	53.40	2,999	96.2	460	283	1,5	
	300	3600	449TS	TEFC	ECP44302T-4	45,010	SD	49.65	2,500	96.2	460	326	1,27
1800		449T	TEFC	ECP44304TR-4	35,442	SD	53.40	2,925	96.5	460	326	1,5	
		449T	TEFC	ECP44304T-4	35,442	SD	53.40	2,853	96.5	460	326	1,27	

(a) See notes on inside back flap and pages 5-6.

All ratings are 1.15 service factor at 40°C ambient. All ratings meet 50°C ambient at 1.00 service factor and weatherproof intent of IEEE 45 and USCG 259 marine duty (below deck).

Custom TEFC motors available through 2250 Hp; Open and WPII motors through 15000 Hp. Contact your Baldor•Reliance Sales Representative.

**FOR OTHER 208-230/460 VOLT REQUIREMENTS, PLEASE SEE DIRTY DUTY MOTORS ON PAGE 75.**

■ Cast Iron Frame

General Information

Premium Efficient Super-E® Motors

Single Phase Motors

General Purpose Industrial Motors

Severe Duty Motors

Washdown Duty Motors

Explosion Proof Motors

Pump Motors

Commercial Motors

HVAC Motors

**Three Phase, Totally Enclosed, 460 & 230/460 Volts, Foot Mounted**

Hp	RPM	NEMA Frame	Enclosure	Catalog Number	List Price	Mult. Sym.	"C" Dim.	Aprx. Wt. (lb)	Full Load Efficiency	Voltage	Full Load Amps	Notes (a)
350	3600	449TS	TEFC	<a href="#">ECP44352T-4</a>	54,025	SD	49.65	2,848	96.2	460	375	1,27
	1800	449T	TEFC	<a href="#">ECP44354T-4</a>	42,529	SD	53.40	3,041	96.2	460	392	1,27
	1200	5011LY	TEFC	<a href="#">ECP50356L-4</a>	58,658	LM	72.05	5,732	95.8	460	386	1,27,64
400	3600	449TS	TEFC	<a href="#">ECP44402T-4</a>	63,206	SD	49.65	2,845	96.5	460	435	1,27
	1800	L449T	TEFC	<a href="#">ECP44404T-4</a>	53,119	SD	60.13	3,459	95.8	460	442	1,27,64

(a) See notes on inside back flap and pages 5-6.

All ratings are 1.15 service factor at 40°C ambient. All ratings meet 50°C ambient at 1.00 service factor and weatherproof intent of IEEE 45 and USCG 259 marine duty (below deck).

Custom TEFC motors available through 2250 Hp; Open and WPII motors through 15000 Hp. Contact your Baldor•Reliance Sales Representative.

**FOR OTHER 208-230/460 VOLT REQUIREMENTS, PLEASE SEE DIRTY DUTY MOTORS ON PAGE 75.**

■ Cast Iron Frame

General Information

Premium Efficient Super-E® Motors

Single Phase Motors

General Purpose Industrial Motors

Severe Duty Motors

Washdown Duty Motors

Explosion Proof Motors

Pump Motors

Commercial Motors

HVAC Motors



**Super-E,  
Three Phase,  
TEFC, 575 Volts,  
Foot Mounted**

**1 thru 200 Hp**

**NEMA 143T thru 447T**

**Applications:** Petro-chemical plants, mines, foundries, pulp and paper plants, waste management facilities, chemical plants, tropical climates and other processing industry applications requiring protection against corrosion caused by severe environmental operating conditions.

**Features:** 1.15 Service Factor, corrosion resistant epoxy finish, regreasable ball or roller bearings, oversized rotatable cast iron conduit box, cast iron frames, V-Ring shaft seal, moisture resistant copper windings, Class F insulation, tropicalization, stainless steel nameplate and corrosion resistant hardware. ECP/XEX Super-E® motors have NEMA Premium® efficiency and 3 year warranty.



Hp	RPM	NEMA Frame	Catalog Number	List Price	Mult. Sym.	"C" Dim.	Aprx. Wt. (lb)	Full Load Efficiency	Voltage	Full Load Amps	Notes (a)
1	1800	143T	ECP3581T-5	878	SD	12.88	60	86.5	575	1.1	1
1 1/2	1800	145T	ECP3584T-5	895	SD	12.88	65	86.5	575	1.6	1
2	1800	145T	ECP3587T-5	934	SD	12.88	68	86.5	575	2.2	1
3	1800	L182T	ECP3661T-5	1,182	SD	15.93	103	89.5	575	3.2	1
	1200	213T	ECP3764T-5	1,660	SD	19.32	186	89.5	575	4	1
5	1800	L184T	ECP3665T-5	1,203	SD	15.93	121	89.5	575	5.2	1
	1200	L215T	ECP3768T-5	1,682	SD	19.32	205	89.5	575	6.4	1
7 1/2	1800	213T	ECP3770T-5	1,515	SD	19.32	178	91.7	575	8	1
	1200	254T	ECP2276T-5	2,407	SD	24.69	267	91.7	575	8.7	1
10	1800	L215T	ECP3774T-5	1,814	SD	19.32	215	91.7	575	9.52	1
	1200	256T	ECP2332T-5	3,127	SD	24.69	286	91.7	575	11.5	1
15	1800	254T	ECP2333T-5	2,311	SD	24.69	255	92.4	575	14.4	1
	1200	284T	ECP4100T-5	3,585	SD	27.93	425	92.4	575	14.9	1
20	1800	256T	ECP2334T-5	2,479	SD	24.37	303	93	575	19.2	1
	1200	286T	ECP4102T-5	4,871	SD	27.93	452	93	575	20.6	1
25	1800	284T	ECP4103T-5	3,244	SD	27.93	427	93.6	575	23.9	1
	1200	324T	ECP4111T-5	5,090	SD	30.16	556	93	575	25.3	1
30	1800	286T	ECP4104T-5	3,852	SD	27.93	471	94.1	575	29	1
40	1800	324T	ECP4110T-5	5,040	SD	30.16	578	94.5	575	36.8	1
50	1800	326T	ECP4115T-5	5,916	SD	30.16	640	94.5	575	45.6	1
60	1800	364T	ECP4314T-5	7,929	SD	32.84	821	95	575	55	1
75	1800	365T	ECP4316T-5	9,265	SD	32.84	912	95.4	575	69.2	1
100	1800	405T	ECP4400T-5	12,162	SD	38.03	1,178	95.4	575	87	1
125	1800	444T	ECP4410T-5	14,378	SD	45.29	1,675	95.4	575	111.5	1
150	1800	445T	ECP4406T-5	16,844	SD	45.29	1,823	96.2	575	132	1
200	1800	447T	ECP4407T-5	20,263	SD	48.87	2,345	96.2	575	179	1

(a) See notes on inside back flap and pages 5-6.

All ratings are 1.15 service factor at 40°C ambient. All ratings meet 50°C ambient at 1.00 service factor and weatherproof intent of IEEE 45 and USCG 259 marine duty (below deck).

**MEETS NRC CANADIAN STANDARDS FOR EFFICIENCY.**

■ Cast Iron Frame

General Information

Premium Efficient Super-E® Motors

Single Phase Motors

General Purpose Industrial Motors

Severe Duty Motors

Washdown Duty Motors

Explosion Proof Motors

Pump Motors

Commercial Motors

HVAC Motors

**Three Phase,  
Totally Enclosed,  
460 & 230/460 Volts,  
C-Face**

**1 thru 50 Hp**

**NEMA 56C thru 326TC**

**Applications:** Petro-chemical plants, mines, foundries, pulp and paper plants, waste management facilities, chemical plants, tropical climates and other processing industry applications requiring protection against corrosion caused by severe environmental operating conditions.

**Features:** 1.15 Service Factor, corrosion resistant epoxy finish, regreasable ball or roller bearings, oversized rotatable cast iron conduit box, cast iron frames, V-Ring shaft seal, moisture resistant copper windings, Class F insulation, tropicalization, stainless steel nameplate and corrosion resistant hardware. VCP motors have XT features. VECP and CECP motors have XEX features. VECP and CECP/XEX Super-E® motors have NEMA Premium® efficiency and 3 year warranty.



General Information  
Premium Efficient Super-E® Motors  
Single Phase Motors  
General Purpose Industrial Motors  
Severe Duty Motors  
Washdown Duty Motors  
Explosion Proof Motors  
Pump Motors  
Commercial Motors  
HVAC Motors

Hp	RPM	NEMA Frame	Enclosure	Catalog Number	List Price	Mult. Sym.	"C" Dim.	Aprx. Wt. (lb)	Full Load Efficiency	Voltage	Full Load Amps	Notes (a)
<b>C-Face, Foot Mounted</b>												
1	3600	143TC	TENV	<b>CECP3580T-4</b>	875	SD	11.87	58	84	230/460	1.4	1
	1800	143TC	TEFC	<b>CECP3581T</b>	925	SD	13.38	61	87.5	208-230/460	1.5	1
		143TC	TENV	<b>CECP3581T-4</b>	951	SD	11.87	60	87.5	230/460	1.5	1
1 1/2	1800	145TC	TEFC	<b>CECP3584T</b>	943	SD	13.38	69	86.5	208-230/460	2	1
2	1800	145TC	TEFC	<b>CECP3587T</b>	982	SD	13.38	73	86.5	208-230/460	2.7	1
3	3600	182TC	TEFC	<b>CECP3660T</b>	1,209	SD	16.38	125	88.5	230/460	3.6	1
	1800	182TC	TEFC	<b>CECP3661T</b>	1,267	SD	16.38	145	89.5	230/460	4.2	1
5	3600	184TC	TEFC	<b>CECP3663T</b>	1,468	SD	16.38	142	88.5	230/460	6	1
	1800	L184TC	TEFC	<b>CECP3665T</b>	1,287	SD	17.88	152	89.5	230/460	6.6	1
7 1/2	3600	213TC	TEFC	<b>CECP3769T</b>	1,974	SD	20.06	189	90.2	230/460	8.6	1
	1800	213TC	TEFC	<b>CECP3770T</b>	1,684	SD	20.06	210	91.7	230/460	9.4	1
10	3600	215TC	TEFC	<b>CECP3771T</b>	2,090	SD	20.06	198	91	230/460	11.1	1
	1800	L215TC	TEFC	<b>CECP3774T</b>	1,982	SD	20.94	215	90.2	230/460	11.9	1
15	1800	254TC	TEFC	<b>CECP2333T</b>	2,816	SD	25.06	328	92.4	230/460	18.1	1
		254TC	TEFC	<b>CECP2333T-4</b>	2,981	SD	25.06	330	92.4	460	18.1	1
20	1800	256TC	TEFC	<b>CECP2334T</b>	2,985	SD	25.06	345	92.4	230/460	24	1
		256TC	TEFC	<b>CECP2334T-4</b>	2,985	SD	25.06	345	92.4	460	24	1
25	1800	284TC	TEFC	<b>CECP4103T</b>	3,945	SD	27.44	468	93.6	230/460	29.7	1
		284TC	TEFC	<b>CECP4103T-4</b>	3,945	SD	27.44	461	93.6	460	29.7	1
30	1800	286TC	TEFC	<b>CECP4104T</b>	4,553	SD	27.44	455	93.6	230/460	36.1	1
		286TC	TEFC	<b>CECP4104T-4</b>	4,553	SD	27.44	455	93.6	460	36.1	1
40	1800	324TC	TEFC	<b>CECP4110T</b>	5,812	SD	30.44	676	94.1	230/460	47.7	1
50	1800	326TC	TEFC	<b>CECP4115T</b>	6,688	SD	30.44	725	94.5	230/460	57	1
<b>C-Face, Footless</b>												
1	3600	56C	TEFC	<b>VECP3580-4</b>	842	SD	13.31	53	84	460	1.4	1
		56C	TEFC	<b>VCP3580-4</b>	715	SD	12.69	51	74	460	1.6	1
	1800	56C	TEFC	<b>VECP3581</b>	920	SD	14.50	66	87.5	208-230/460	1.5	1
		56C	TEFC	<b>VECP3581-4</b>	920	SD	13.31	58	87.5	460	1.5	1
		56C	TEFC	<b>VCP3581</b>	587	SD	12.69	54	77	208-230/460	1.7	1
		56C	TEFC	<b>VCP3581-4</b>	587	SD	12.69	54	77	460	1.7	1
		143TC	TEFC	<b>VECP3581T</b>	920	SD	14.57	62	86.5	208-230/460	1.4	1
		143TC	TEFC	<b>VECP3681T-4</b>	920	SD	13.38	58	86.5	460	1.4	1
		143TC	TEFC	<b>VCP3581T</b>	587	SD	13.95	56	82.5	208-230/460	1.56	1
		143TC	TEFC	<b>VCP3581T-4</b>	587	SD	12.75	53	82.5	460	1.56	1
	1200	145TC	TEFC	<b>VECP3582T</b>	1,014	SD	14.57	67	82.5	208-230/460	1.8	1
		145TC	TEFC	<b>VCP3582T</b>	853	SD	13.92	64	80	208-230/460	1.8	1
1 1/2	3600	143TC	TEFC	<b>VECP3583T-4</b>	950	SD	13.38	51	85.5	460	2	1
		143TC	TEFC	<b>VCP3583T-4</b>	806	SD	12.75	55	75.5	460	2.3	1
	1800	145TC	TEFC	<b>VECP3584T</b>	936	SD	14.56	66	88.5	208-230/460	2.1	1
		145TC	TEFC	<b>VECP3584T-4</b>	936	SD	13.38	64	88.5	460	2.1	1
		145TC	TEFC	<b>VCP3584T</b>	738	SD	13.92	60	84	208-230/460	2.3	1
		145TC	TEFC	<b>VCP3584T-4</b>	738	SD	12.75	57	78.5	460	2.5	1

(a) See notes on inside back flap and pages 5-6.

All ratings are 1.15 service factor at 40°C ambient. All ratings meet 50°C ambient at 1.00 service factor and weatherproof intent of IEEE 45 and USCG 259 marine duty (below deck).

■ Cast Iron Frame

**Three Phase, Totally Enclosed, 460 & 230/460 Volts, C-Face**

Hp	RPM	NEMA Frame	Enclosure	Catalog Number	List Price	Mult. Sym.	"C" Dim.	Aprx. Wt. (lb)	Full Load Efficiency	Voltage	Full Load Amps	Notes (a)	
<b>C-Face, Footless (continued)</b>													
1 1/2	1200	182TC	TEFC	<b>VECP3667T</b>	1,204	SD	18.56	146	87.5	208-230/460	2.4	1	
		182TC	TEFC	<b>VCP3667T</b>	1,001	SD	18.56	138	85.5	208-230/460	2.6	1	
2	3600	145TC	TEFC	<b>VECP3586T-4</b>	995	SD	13.38	48	86.5	460	2.5	1	
		145TC	TEFC	<b>VCP3586T-4</b>	857	SD	12.75	59	78.5	460	2.7	1	
	1800	145TC	TEFC	<b>VECP3587T</b>	975	SD	14.57	70	86.5	208-230/460	2.7	1	
		145TC	TEFC	<b>VECP3587T-4</b>	975	SD	13.38	67	86.5	460	2.7	1	
		145TC	TEFC	<b>VCP3587T</b>	754	SD	13.95	67	84	208-230/460	3	1	
	1200	145TC	TEFC	<b>VCP3587T-4</b>	754	SD	12.75	60	82.5	460	3.1	1	
		184TC	TEFC	<b>VECP3664T</b>	1,221	SD	18.56	151	88.5	208-230/460	3	1	
		184TC	TEFC	<b>VCP3664T</b>	934	SD	18.56	136	86.5	208-230/460	2.9	1	
3	3600	182TC	TEFC	<b>VECP3660T-4</b>	1,195	SD	18.56	132	88.5	460	3.6	1	
		182TC	TEFC	<b>VCP3660T-4</b>	1,047	SD	18.56	125	80	460	3.9	1	
	1800	182TC	TEFC	<b>VECP3661T</b>	1,252	SD	18.56	142	89.5	230/460	4.2	1	
		182TC	TEFC	<b>VECP3661T-4</b>	1,252	SD	18.56	143	89.5	460	4	1	
		182TC	TEFC	<b>VCP3661T</b>	1,072	SD	18.56	132	87.5	208-230/460	4.1	1	
		182TC	TEFC	<b>VCP3661T-4</b>	1,072	SD	18.56	130	84	460	4.3	1	
	1200	213TC	TEFC	<b>VECP3764T</b>	1,802	SD	21.56	200	90.2	230/460	4.5	1	
		213TC	TEFC	<b>VCP3764T</b>	1,489	SD	21.56	175	87.5	208-230/460	5.1	1	
	5	3600	184TC	TEFC	<b>VECP3663T-4</b>	1,453	SD	18.56	143	89.5	460	5.7	1
			184TC	TEFC	<b>VCP3663T-4</b>	1,305	SD	18.56	135	85.5	460	6	1
1800		184TC	TEFC	<b>VECP3665T</b>	1,274	SD	18.56	150	89.5	230/460	6.6	1	
		184TC	TEFC	<b>VECP3665T-4</b>	1,274	SD	18.56	146	90.2	460	6.5	1	
		184TC	TEFC	<b>VCP3665T</b>	1,104	SD	18.56	146	85.5	208-230/460	6.6	1	
		184TC	TEFC	<b>VCP3665T-4</b>	1,104	SD	18.56	138	85.5	460	6.6	1	
1200		215TC	TEFC	<b>VECP3768T</b>	1,823	SD	21.56	203	90.2	230/460	7.3	1	
7 1/2		3600	213TC	TEFC	<b>VECP3769T-4</b>	1,947	SD	21.56	198	91	460	8.6	1
	213TC		TEFC	<b>VCP3769T-4</b>	1,692	SD	21.56	181	84	460	9.1	1	
	213TC		TEFC	<b>VECP3770T</b>	1,655	SD	21.56	209	91.7	230/460	9.5	1	
	1800	213TC	TEFC	<b>VECP3770T-4</b>	1,655	SD	21.56	214	91.7	460	9.5	1	
		213TC	TEFC	<b>VCP3770T</b>	1,520	SD	21.56	187	89.5	208-230/460	10.3	1	
		213TC	TEFC	<b>VCP3770T-4</b>	1,520	SD	21.56	188	89.5	460	10.3	1	
	1200	254TC	TEFC	<b>VECP2276T</b>	2,857	SD	26.17	360	91.7	230/460	10.7	1	
		254TC	TEFC	<b>VCP2276T</b>	2,144	SD	26.47	316	89.5	230/460	10.8	1	
10	3600	215TC	TEFC	<b>VECP3771T-4</b>	2,063	SD	21.56	200	91.7	460	11.2	1	
		215TC	TEFC	<b>VCP3771T-4</b>	1,800	SD	21.56	186	85.5	460	12	1	
	1800	215TC	TEFC	<b>VECP3774T</b>	1,955	SD	21.23	212	92.4	230/460	12.5	1	
		215TC	TEFC	<b>VECP3774T-4</b>	1,955	SD	20.06	219	92.4	460	12.5	1	
		215TC	TEFC	<b>VCP3774T</b>	1,635	SD	21.11	191	89.5	208-230/460	13	1	
		215TC	TEFC	<b>VCP3774T-4</b>	1,635	SD	20.06	194	89.5	460	13	1	
	1200	256TC	TEFC	<b>VECP2332T</b>	3,576	SD	26.47	361	91.7	230/460	14.2	1	
		256TC	TEFC	<b>VCP2332T</b>	2,853	SD	26.47	326	87.5	230/460	15	1	
	15	1800	254TC	TEFC	<b>VECP2333T</b>	2,761	SD	26.47	339	92.4	230/460	18.1	1
			254TC	TEFC	<b>VECP2333T-4</b>	2,761	SD	26.47	340	92.4	460	18.1	1
254TC			TEFC	<b>VCP2333T</b>	2,426	SD	26.47	312	91	230/460	18.1	1	
1200		284TC	TEFC	<b>VECP4100T</b>	4,216	SD	29.35	472	93	230/460	18.7	1	
	284TC	TEFC	<b>VCP4100T</b>	4,013	SD	29.35	322	90.2	230/460	21	1		
20	1800	256TC	TEFC	<b>VECP2334T</b>	2,927	SD	26.97	356	92.4	230/460	24	1	
		256TC	TEFC	<b>VCP2334T</b>	2,653	SD	26.97	325	91	230/460	25	1	
	1200	286TC	TEFC	<b>VECP4102T</b>	5,503	SD	29.37	482	93	230/460	26	1	
		286TC	TEFC	<b>VCP4102T</b>	4,575	SD	29.35	444	90.2	230/460	27	1	
25	1800	284TC	TEFC	<b>VECP4103T</b>	3,876	SD	29.35	478	93.6	230/460	30	1	
		284TC	TEFC	<b>VCP4103T</b>	3,302	SD	29.35	439	92.4	230/460	29	1	
	1200	324TC	TEFC	<b>VECP4111T</b>	5,792	SD	32.91	717	93	230/460	32	1	
		324TC	TEFC	<b>VCP4111T</b>	5,516	SD	33.03	655	91.7	230/460	31	1	

(a) See notes on inside back flap and pages 5-6.

All ratings are 1.15 service factor at 40°C ambient. All ratings meet 50°C ambient at 1.00 service factor and weatherproof intent of IEEE 45 and USCG 259 marine duty (below deck).

■ Cast Iron Frame

General Information

Premium Efficient Super-E® Motors

Single Phase Motors

General Purpose Industrial Motors

Severe Duty Motors

Washdown Duty Motors

Explosion Proof Motors

Pump Motors

Commercial Motors

HVAC Motors

**IEEE 841,  
Three Phase,  
Totally Enclosed,  
460 Volts**

**1 thru 250 Hp**

**NEMA 143T thru 449T**

**Applications:** Petro-chemical, pulp and paper, cement, aggregate mining and other process industries requiring premium efficient motors designed, manufactured and tested to exceed IEEE 841-2001 TEFC motor standards for extreme severe duty service.

**Features:** Built to 841XL design. Upgraded electrical and mechanical design with NEMA Premium® efficient winding. Inpro/Seal® VBX (thru 210 frame) and VBXX bearing isolators on fan and drive end shaft extensions and epoxy paint provides IP56 enclosure. Oversized bearings on both ends of motor with positive lubrication system. Stainless breather drains. Proprietary cast iron frames for reduced vibration and noise. Terminal lugs on motor leads. Final test and vibration results shipped with motor. Enhanced motor nameplate data. Complies with DuPont, Weyerhaeuser and many other corporate specifications. 5-year warranty.



General Information

Premium Efficient Super-E® Motors

Single Phase Motors

General Purpose Industrial Motors

Severe Duty Motors

Washdown Duty Motors

Explosion Proof Motors

Pump Motors

Commercial Motors

HVAC Motors

Hp	RPM	NEMA Frame	Enclosure	Catalog Number	List Price	Mult. Sym.	"C" Dim.	Aprx. Wt. (lb)	Full Load Efficiency	Voltage	Full Load Amps	Notes (a)
<b>Foot Mounted</b>												
1	3600	143T	TEFC	ECP83580T-4	877	SD	12.88	59	84	460	1.4	1
		143T	TENV	ENCP83580T-4	836	SD	11.38	38	84	460	1.35	1
	1800	143T	TEFC	ECP83581T-4	963	SD	12.88	66	87.5	460	1.5	1
		143T	TENV	ENCP83581T-4	915	SD	11.38	62	87.5	460	1.4	1
1 1/2	1200	145T	TEFC	ECP83582T-4	1,033	SD	12.88	66	82.5	460	1.8	1
		143T	TEFC	ECP83583T-4	942	SD	12.88	65	85.5	460	2	1
	1800	145T	TEFC	ECP83584T-4	981	SD	12.88	66	88.5	460	2.1	1
		L182T	TEFC	ECP83667T-4	1,190	SD	17.12	134	86.5	460	2.4	1
2	3600	145T	TEFC	ECP83586T-4	1,034	SD	12.88	75	86.5	460	2.4	1
	1800	145T	TEFC	ECP83587T-4	1,025	SD	12.88	72	86.5	460	2.7	1
	1200	L184T	TEFC	ECP83664T-4	1,103	SD	17.12	144	88.5	460	3	1
3	3600	182T	TEFC	ECP83660T-4	1,233	SD	15.62	119	88.5	460	3.6	1
	1800	L182T	TEFC	ECP83661T-4	1,297	SD	17.12	134	89.5	460	4.2	1
	1200	213T	TEFC	ECP83764T-4	1,804	SD	19.31	186	89.5	460	4.2	1
5	3600	184T	TEFC	ECP83663T-4	1,519	SD	17.12	137	88.5	460	6	1
	1800	L184T	TEFC	ECP83665T-4	1,322	SD	17.12	142	89.5	460	6.6	1
	1200	L215T	TEFC	ECP83768T-4	1,865	SD	20.19	200	89.5	460	6.8	1
7 1/2	3600	213T	TEFC	ECP83769T-4	1,984	SD	19.31	184	90.2	460	8.6	1
	1800	L213T	TEFC	ECP83770T-4	1,666	SD	20.19	199	91.7	460	9.4	1
	1200	254T	TEFC	ECP82276T-4	2,691	SD	24.56	347	91	460	9.9	1
10	3600	215T	TEFC	ECP83771T-4	2,112	SD	19.31	190	91	460	11.1	1
	1800	L215T	TEFC	ECP83774T-4	1,972	SD	20.19	213	91.7	460	12.3	1
	1200	256T	TEFC	ECP82332T-4	3,435	SD	24.56	347	91	460	12.5	1
15	3600	254T	TEFC	ECP82394T-4	2,749	SD	24.56	349	92.4	460	16.8	1
	1800	254T	TEFC	ECP82333T-4	2,539	SD	24.56	327	92.4	460	18.1	1
	1200	284T	TEFC	ECP84100T-4	3,969	SD	27.44	442	92.4	460	18.7	1
20	3600	256T	TEFC	ECP84106T-4	3,151	SD	24.56	346	91.7	460	22.3	1
	1800	256T	TEFC	ECP82334T-4	2,745	SD	24.56	352	93	460	24	1
	1200	286T	TEFC	ECP84102T-4	5,348	SD	27.44	458	92.4	460	24.8	1
25	3600	284TS	TEFC	ECP84107T-4	3,853	SD	26.06	451	93	460	28.1	1
	1800	284T	TEFC	ECP84103T-4	3,561	SD	27.44	447	93.6	460	29.7	1
	1200	324T	TEFC	ECP84111T-4	5,637	SD	30.44	587	93	460	30.9	1
30	3600	286TS	TEFC	ECP84108T-4	4,615	SD	26.06	462	93	460	33.9	1
	1800	286T	TEFC	ECP84104T-4	4,193	SD	27.44	456	93.6	460	36.1	1
	1200	326T	TEFC	ECP84117T-4	7,335	SD	30.44	701	93.6	460	36.4	1
40	3600	324TS	TEFC	ECP84109T-4	6,315	SD	28.94	647	94.1	460	44.3	1
	1800	324T	TEFC	ECP84110T-4	5,583	SD	30.44	658	94.1	460	47.7	1
	1200	364T	TEFC	ECP84308T-4	8,980	SD	33.44	899	94.1	460	49.4	1

(a) See notes on inside back flap and pages 5-6.

All ratings are 1.15 service factor at 40°C ambient. All ratings meet 50°C ambient at 1.00 service factor and weatherproof intent of IEEE 45 and USCG 259 marine duty (below deck).

■ Cast Iron Frame

IEEE 841, Three Phase, Totally Enclosed, 460 Volts

Hp	RPM	NEMA Frame	Enclosure	Catalog Number	List Price	Mult. Sym.	"C" Dim.	Aprx. Wt. (lb)	Full Load Efficiency	Voltage	Full Load Amps	Notes (a)
<b>Foot Mounted (continued)</b>												
50	3600	326TS	TEFC	ECP84114T-4	6,587	SD	28.94	683	94.1	460	55.5	1
	1800	326T	TEFC	ECP84115T-4	6,556	SD	30.44	689	94.5	460	58.4	1
	1200	365T	TEFC	ECP84312T-4	9,564	SD	33.44	889	94.1	460	61.7	1
60	3600	364TS	TEFC	ECP84310T-4	9,735	SD	31.31	885	95	460	65.1	1
	1800	364T	TEFC	ECP84314T-4	8,705	SD	33.44	851	95	460	68	1
	1200	404T	TEFC	ECP84403T-4	12,397	SD	38.31	1,110	95	460	69	1
75	3600	365TS	TEFC	ECP84313T-4	10,783	SD	31.31	938	95	460	80.7	1
	1800	365T	TEFC	ECP84316T-4	10,124	SD	33.44	958	95.4	460	85.9	1
	1200	405T	TEFC	ECP84404T-4	15,016	SD	38.31	1,172	94.6	460	86.9	1
100	3600	405TS	TEFC	ECP84402T-4	12,922	SD	35.31	1,267	95	460	110	1
	1800	405T	TEFC	ECP84400T-4	13,513	SD	38.31	1,281	95.4	460	112	1
	1200	444T	TEFC	ECP84409T-4	16,517	SD	44.62	1,758	95	460	115	1
125	3600	444TS	TEFC	ECP84412T-4	15,112	SD	40.88	1,707	95.4	460	137	1
	1800	444T	TEFC	ECP84410T-4	15,329	SD	44.62	1,779	95.8	460	139	1
	1200	445T	TEFC	ECP84411T-4	18,748	SD	44.62	1,901	95.4	460	143	1
150	3600	445TS	TEFC	ECP84413T-4	17,367	SD	40.88	1,956	96.2	460	164	1
	1800	445T	TEFC	ECP84406T-4	18,128	SD	44.62	1,932	96.2	460	165	1,27
	1200	447T	TEFC	ECP844156T-4	20,838	SD	48.40	2,355	96.2	460	174	1,27
		447T	TEFC	ECP844156TR-4	20,838	SD	48.13	2,405	96.2	460	174	1,5
200	3600	447TS	TEFC	ECP84416T-4	22,959	SD	44.37	1,995	96.2	460	222	1
	1800	447T	TEFC	ECP84407T-4	21,810	SD	48.40	2,388	96.2	460	221	1,27
		447T	TEFC	ECP84407TR-4	21,810	SD	48.13	2,464	96.2	460	221	1,5
	1200	449T	TEFC	ECP844206T-4	27,684	SD	53.13	2,768	96.2	460	165	1,27
		449T	TEFC	ECP844206TR-4	27,684	SD	53.13	2,802	96.2	460	223	1,5
250	3600	449TS	TEFC	ECP844252T-4	36,992	SD	49.37	2,724	96.2	460	267	1
	1800	449T	TEFC	ECP84408T-4	27,841	SD	53.13	2,729	96.2	460	272	1,27
		449T	TEFC	ECP84408TR-4	27,841	SD	53.13	2,800	96.4	460	272	1,5
	1200	449T	TEFC	ECP844256T-4	38,856	SD	53.13	1,997	96.2	460	283	1,27
<b>C-Face, Foot Mounted</b>												
1	3600	143TC	TEFC	CECP83580T-4	915	SD	13.38	63	84	460	1.4	1
		143TC	TENV	CENCP83580T-4	875	SD	12.00	56	84	460	1.3	1
	1800	143TC	TEFC	CECP83581T-4	1,002	SD	13.38	63	87.5	460	1.5	1
		143TC	TENV	CENCP83581T-4	951	SD	12.00	37	87.5	460	1.4	1
1 1/2	3600	143TC	TEFC	CECP83583T-4	980	SD	13.38	72	85.5	460	2	1
	1800	145TC	TEFC	CECP83584T-4	1,020	SD	13.38	71	88.5	460	2.1	1
2	3600	145TC	TEFC	CECP83586T-4	1,075	SD	13.38	75	86.5	460	2.4	1
	1800	145TC	TEFC	CECP83587T-4	1,062	SD	13.38	73	86.5	460	2.7	1
3	3600	182TC	TEFC	CECP83660T-4	1,306	SD	16.38	204	88.5	460	3.6	1
	1800	182TC	TEFC	CECP83661T-4	1,384	SD	16.38	141	89.5	460	4.2	1
5	3600	184TC	TEFC	CECP83663T-4	1,588	SD	16.38	134	88.5	460	6	1
	1800	L184TC	TEFC	CECP83665T-4	1,391	SD	17.88	151	89.5	460	6.6	1
7 1/2	3600	213TC	TEFC	CECP83769T-4	2,059	SD	20.06	189	90.2	460	8.6	1
	1800	213TC	TEFC	CECP83770T-4	1,763	SD	20.06	206	91.7	460	9.4	1
10	3600	215TC	TEFC	CECP83771T-4	2,185	SD	20.06	198	91	460	11.1	1
	1800	L215TC	TEFC	CECP83774T-4	2,131	SD	20.94	214	90.2	460	11.9	1
15	3600	254TC	TEFC	CECP82394T-4	2,989	SD	25.06	351	92.4	460	16.8	1
	1800	254TC	TEFC	CECP82333T-4	2,918	SD	25.06	330	92.4	460	18.1	1
20	3600	256TC	TEFC	CECP84106T-4	3,390	SD	25.06	351	91.7	460	22.3	1
	1800	256TC	TEFC	CECP82334T-4	3,087	SD	25.06	346	92.4	460	24	1
25	3600	284TSC	TEFC	CECP84107T-4	4,624	SD	26.06	464	93	460	28.1	1
	1800	284TC	TEFC	CECP84103T-4	4,333	SD	27.44	464	93.6	460	29.7	1
30	3600	284TSC	TEFC	CECP84108T-4	5,386	SD	26.06	459	93	460	33.9	1
	1800	286TC	TEFC	CECP84104T-4	4,962	SD	27.44	461	93.6	460	36.1	1
40	3600	324TSC	TEFC	CECP84109T-4	7,163	SD	28.94	672	94.1	460	44.3	1
	1800	324TC	TEFC	CECP84110T-4	6,432	SD	30.44	669	94.1	460	47.7	1
50	3600	326TSC	TEFC	CECP84114T-4	7,438	SD	28.94	695	93	460	56.2	1
	1800	326TC	TEFC	CECP84115T-4	7,404	SD	30.44	722	94.5	460	58.4	1

(a) See notes on inside back flap and pages 5-6.

All ratings are 1.15 service factor at 40°C ambient. All ratings meet 50°C ambient at 1.00 service factor and weatherproof intent of IEEE 45 and USCG 259 marine duty (below deck).

■ Cast Iron Frame

General Information

Premium Efficient Super-E® Motors

Single Phase Motors

General Purpose Industrial Motors

Severe Duty Motors

Washdown Duty Motors

Explosion Proof Motors

Pump Motors

Commercial Motors

HVAC Motors



IEEE 841, Three Phase, Totally Enclosed, 460 Volts

Hp	RPM	NEMA Frame	Enclosure	Catalog Number	List Price	Mult. Sym.	"C" Dim.	Aprx. Wt. (lb)	Full Load Efficiency	Voltage	Full Load Amps	Notes (a)
<b>C-Face, Foot Mounted (continued)</b>												
60	3600	364TSC	TEFC	<a href="#">CECP84310T-4</a>	10,660	SD	31.31	854	95	460	65.1	1
	1800	364TC	TEFC	<a href="#">CECP84314T-4</a>	9,631	SD	33.44	906	95	460	68	1
75	3600	365TSC	TEFC	<a href="#">CECP84313T-4</a>	11,707	SD	31.31	991	95	460	80.7	1
	1800	365TC	TEFC	<a href="#">CECP84316T-4</a>	11,050	SD	33.44	979	95.4	460	85.9	1
<b>C-Face, Footless</b>												
1	3600	143TC	TENV	<a href="#">VENCP83580T-4</a>	829	SD	12.00	56	84	460	1.3	1
	1800	143TC	TENV	<a href="#">VENCP83581T-4</a>	895	SD	12.00	58	87.5	460	1.5	1
1 1/2	3600	143TC	TEFC	<a href="#">VECP83583T-4</a>	970	SD	14.56	30	85.5	460	2	1
	1800	145TC	TEFC	<a href="#">VECP83584T-4</a>	1,009	SD	14.56	49	88.5	460	2.1	1
2	3600	145TC	TEFC	<a href="#">VECP83586T-4</a>	1,064	SD	14.56	67	86.5	460	2.4	1
	1800	145TC	TEFC	<a href="#">VECP83587T-4</a>	1,052	SD	14.56	77	86.5	460	2.7	1
3	3600	182TC	TEFC	<a href="#">VECP83660T-4</a>	1,293	SD	17.88	128	88.5	460	3.6	1
	1800	182TC	TEFC	<a href="#">VECP83661T-4</a>	1,370	SD	17.88	141	89.5	460	4.2	1
5	3600	184TC	TEFC	<a href="#">VECP83663T-4</a>	1,575	SD	17.88	136	88.5	460	6	1
	1800	L184TC	TEFC	<a href="#">VECP83665T-4</a>	1,378	SD	16.38	146	88.7	460	6.6	1
7 1/2	3600	213TC	TEFC	<a href="#">VECP83769T-4</a>	2,032	SD	20.94	194	90.2	460	8.6	1
	1800	213TC	TEFC	<a href="#">VECP83770T-4</a>	1,736	SD	20.94	205	91.7	460	9.4	1
10	3600	215TC	TEFC	<a href="#">VECP83771T-4</a>	2,158	SD	20.94	185	91	460	11.1	1
	1800	215TC	TEFC	<a href="#">VECP83774T-4</a>	2,104	SD	20.94	215	90.2	460	11.9	1
15	3600	254TC	TEFC	<a href="#">VECP82394T-4</a>	2,865	SD	25.06	362	92.6	460	16.8	1
	1800	254TC	TEFC	<a href="#">VECP82333T-4</a>	2,794	SD	25.06	342	92.4	460	18.1	1
20	3600	256TC	TEFC	<a href="#">VECP84106T-4</a>	3,267	SD	25.06	363	91.7	460	22.3	1
	1800	256TC	TEFC	<a href="#">VECP82334T-4</a>	2,962	SD	25.06	355	92.5	460	24	1

(a) See notes on inside back flap and pages 5-6.

All ratings are 1.15 service factor at 40°C ambient. All ratings meet 50°C ambient at 1.00 service factor and weatherproof intent of IEEE 45 and USCG 259 marine duty (below deck).

■ Cast Iron Frame

General Information

Premium Efficient Super-E@ Motors

Single Phase Motors

General Purpose Industrial Motors

Severe Duty Motors

Washdown Duty Motors

Explosion Proof Motors

Pump Motors

Commercial Motors

HVAC Motors

IEEE 841,  
Three Phase,  
TEFC, 575 Volts,  
Foot Mounted

1 thru 250 Hp

NEMA 143T thru 449T

**Applications:** Petro-chemical, pulp and paper, cement, aggregate mining and other process industries requiring premium efficient motors designed, manufactured and tested to exceed IEEE 841-2001 TEFC motor standards for extreme severe duty service.

**Features:** Built to 841XL design. Upgraded electrical and mechanical design with NEMA Premium® efficient winding. Inpro/Seal® VBX (thru 210 frame) and VBXX bearing isolators on fan and drive end shaft extensions and epoxy paint provides IP56 enclosure. Oversized bearings on both ends of motor with positive lubrication system. Stainless breather drains. Proprietary cast iron frames for reduced vibration and noise. Terminal lugs on motor leads. Final test and vibration results shipped with motor. Enhanced motor nameplate data. Complies with DuPont, Weyerhaeuser and many other corporate specifications. 5-year warranty.



Hp	RPM	NEMA Frame	Catalog Number	List Price	Mult. Sym.	"C" Dim.	Aprx. Wt. (lb)	Full Load Efficiency	Voltage	Full Load Amps	Notes (a)
<b>Foot Mounted</b>											
1	3600	143T	ECP83580T-5	877	SD	12.88	35	84	575	1.1	1
	1800	143T	ECP83581T-5	963	SD	12.88	61	85.5	575	1.1	1
	1200	145T	ECP83582T-5	1,033	SD	12.88	42	82.5	575	1.4	1
1 1/2	3600	143T	ECP83583T-5	942	SD	12.88	68	85.5	575	1.6	1
	1800	145T	ECP83584T-5	981	SD	12.88	48	86.5	575	1.6	1
	1200	182T	ECP83667T-5	1,190	SD	15.62	137	87.6	575	1.9	1
2	3600	145T	ECP83586T-5	977	SD	12.88	78	86.5	575	1.9	1
	1800	145T	ECP83587T-5	1,025	SD	12.88	70	86.5	575	2.2	1
	1200	L184T	ECP83664T-5	1,103	SD	17.12	143	88.5	575	2.4	1
3	3600	182T	ECP83660T-5	1,233	SD	15.62	117	88.5	575	2.88	1
	1800	182T	ECP83661T-5	1,297	SD	15.62	137	89.5	575	3.36	1
	1200	213T	ECP83764T-5	1,804	SD	19.31	183	89.5	575	3.4	1
5	3600	184T	ECP83663T-5	1,519	SD	15.62	124	88.5	575	4.8	1
	1800	L184T	ECP83665T-5	1,322	SD	17.12	138	89.5	575	5.28	1
	1200	L215T	ECP83768T-5	1,865	SD	20.19	203	89.5	575	5.44	1
7 1/2	3600	213T	ECP83769T-5	1,984	SD	19.31	182	90.2	575	6.88	1
	1800	213T	ECP83770T-5	1,666	SD	19.31	202	90.2	575	7.2	1
	1200	254T	ECP82276T-5	2,822	SD	24.56	351	91	575	7.9	1
10	3600	215T	ECP83771T-5	2,112	SD	19.31	191	91	575	8.88	1
	1800	L215T	ECP83774T-5	1,972	SD	20.19	211	91.7	575	9.84	1
	1200	256T	ECP82332T-5	3,435	SD	24.56	345	91	575	10	1
15	3600	254T	ECP82394T-5	2,749	SD	24.56	350	92.4	575	13.4	1
	1800	254T	ECP82333T-5	2,539	SD	24.56	323	92.4	575	14.4	1
	1200	284T	ECP84100T-5	3,969	SD	27.44	445	92.4	575	14.9	1
20	3600	256T	ECP84106T-5	3,151	SD	24.56	348	91.7	575	17.8	1
	1800	256T	ECP82334T-5	2,745	SD	24.56	345	92.4	575	19.2	1
	1200	286T	ECP84102T-5	5,348	SD	27.44	470	92.5	575	19.8	1
25	3600	284TS	ECP84107T-5	3,853	SD	26.06	455	93	575	22.4	1
	1800	284T	ECP84103T-5	3,561	SD	27.44	455	93.6	575	23.7	1
	1200	324T	ECP84111T-5	5,637	SD	30.44	650	93	575	24.7	1
30	3600	286TS	ECP84108T-5	4,615	SD	26.06	454	93	575	27.1	1
	1800	286T	ECP84104T-5	4,193	SD	27.44	458	93.6	575	28.8	1
	1200	326T	ECP84117T-5	7,335	SD	30.44	698	93.6	575	29.1	1
40	3600	324TS	ECP84109T-5	6,315	SD	28.94	653	94.1	575	40	1
	1800	324T	ECP84110T-5	5,583	SD	30.44	661	94.1	575	38.1	1
	1200	364T	ECP84308T-5	8,980	SD	33.44	865	94.2	575	39.5	1
50	3600	326TS	ECP84114T-5	6,587	SD	28.94	675	94.1	575	44.4	1
	1800	326T	ECP84115T-5	6,556	SD	30.44	714	94.5	575	46.7	1
	1200	365T	ECP84312T-5	9,564	SD	33.44	890	94.2	575	49.3	1

(a) See notes on inside back flap and pages 5-6.

MEETS NRC CANADIAN STANDARDS FOR EFFICIENCY.

■ Cast Iron Frame

General Information

Premium Efficient Super-E® Motors

Single Phase Motors

General Purpose Industrial Motors

Severe Duty Motors

Washdown Duty Motors

Explosion Proof Motors

Pump Motors

Commercial Motors

HVAC Motors

IEEE 841, Three Phase, TEFC, 575 Volts, Foot Mounted

Hp	RPM	NEMA Frame	Catalog Number	List Price	Mult. Sym.	"C" Dim.	Aprx. Wt. (lb)	Full Load Efficiency	Voltage	Full Load Amps	Notes (a)
<b>Foot Mounted (continued)</b>											
60	3600	364TS	<a href="#">ECP84310T-5</a>	9,735	SD	31.31	890	95.1	575	52.1	1
	1800	364T	<a href="#">ECP84314T-5</a>	8,705	SD	33.44	871	95	575	54.4	1
	1200	404T	<a href="#">ECP84403T-5</a>	12,397	SD	38.31	1,220	95	575	55.2	1
75	3600	365TS	<a href="#">ECP84313T-5</a>	10,783	SD	31.31	978	95	575	64.5	1
	1800	365T	<a href="#">ECP84316T-5</a>	10,124	SD	33.44	953	95.4	575	68.7	1
	1200	405T	<a href="#">ECP84404T-5</a>	15,016	SD	38.31	1,260	94.6	575	69.5	1
100	3600	405TS	<a href="#">ECP84402T-5</a>	12,922	SD	38.31	1,302	95	575	88	1
	1800	405T	<a href="#">ECP84400T-5</a>	13,513	SD	38.31	1,330	95.4	575	89.6	1
	1200	444T	<a href="#">ECP84409T-5</a>	16,517	SD	44.62	1,670	95.1	575	92	1
125	3600	444TS	<a href="#">ECP84412T-5</a>	15,112	SD	40.88	1,717	95.4	575	109	1
	1800	444T	<a href="#">ECP84410T-5</a>	15,329	SD	44.62	1,784	95.8	575	111	1
	1200	445T	<a href="#">ECP84411T-5</a>	18,748	SD	44.62	1,860	95.5	575	114	1
150	3600	445TS	<a href="#">ECP84413T-5</a>	17,367	SD	40.88	1,947	96.2	575	131	1
	1800	445T	<a href="#">ECP84406T-5</a>	18,128	SD	44.62	1,933	96.2	575	132	1
	1200	447T	<a href="#">ECP844156TR-5</a>	20,838	SD	48.13	2,300	95.9	575	139	1,5
200	3600	445TS	<a href="#">ECP84416T-5</a>	22,959	SD	40.88	1,991	96.2	575	177	1
	1800	447T	<a href="#">ECP84407T-5</a>	21,810	SD	48.40	2,390	96.2	575	176	1
		447T	<a href="#">ECP84407TR-5</a>	21,810	SD	48.13	2,453	96.2	575	176	1,5
250	1200	449T	<a href="#">ECP844206TR-5</a>	27,684	SD	53.13	2,590	96.2	575	178	1,5
	3600	449TS	<a href="#">ECP844252T-5</a>	36,992	SD	49.37	2,712	96.2	575	213	1
		449T	<a href="#">ECP84408TR-5</a>	27,841	SD	53.13	2,727	96.4	575	218	1,5
1800	449T	<a href="#">ECP84408T-5</a>	27,841	SD	53.13	2,723	96.2	575	217	1	
<b>C-Face, Foot Mounted</b>											
2	1800	145TC	<a href="#">CECP83587T-5</a>	1,062	SD	13.38	70	86.5	575	2.2	1
3	1800	182TC	<a href="#">CECP83661T-5</a>	1,384	SD	16.38	144	88.5	575	3.04	1
5	1800	L184TC	<a href="#">CECP83665T-5</a>	1,391	SD	17.88	128	89.5	575	5.28	1
7 1/2	1800	213TC	<a href="#">CECP83770T-5</a>	1,763	SD	20.06	178	91.7	575	7.52	1
10	1800	L215TC	<a href="#">CECP83774T-5</a>	2,131	SD	20.94	212	90.2	575	9.52	1
15	1800	254TC	<a href="#">CECP82333T-5</a>	2,918	SD	25.06	331	92.4	575	14.4	1
20	1800	256TC	<a href="#">CECP82334T-5</a>	3,087	SD	25.06	344	92.4	575	19.2	1
25	1800	284TC	<a href="#">CECP84103T-5</a>	4,333	SD	27.44	415	93.6	575	23.7	1
30	1800	286TC	<a href="#">CECP84104T-5</a>	4,962	SD	27.44	458	93.6	575	28.8	1
40	1800	324TC	<a href="#">CECP84114T-5</a>	7,438	SD	30.44	671	94.1	575	38.1	1
50	1800	326TC	<a href="#">CECP84115T-5</a>	7,404	SD	30.44	725	94.5	575	46.7	1

(a) See notes on inside back flap and pages 5-6.

**MEETS NRC CANADIAN STANDARDS FOR EFFICIENCY.**

■ Cast Iron Frame

General Information  
 Premium Efficient Super-E@ Motors  
 Single Phase Motors  
 General Purpose Industrial Motors  
 Severe Duty Motors  
 Washdown Duty Motors  
 Explosion Proof Motors  
 Pump Motors  
 Commercial Motors  
 HVAC Motors

**661XL / IEEE 841,  
Three Phase,  
TEFC, 460 Volts,  
Foot Mounted**

**5 thru 75 Hp**

**NEMA 184T thru 365T**

**Applications:** Petroleum, chemical and other industries with belt driven heat exchangers requiring premium efficient motors designed to API 661 standards of 40,000 hours bearing life.

**Features:** Severe duty design with NEMA premium efficiency. Motors meet IEEE 841 specifications for the chemical industry and incorporate roller bearings on 210 frames and larger for heavy belt loads. They have VBX / VBXX Inpro bearing isolators on both ends and a stainless drain in the lower end bracket for vertical shaft down. Shaft up requires removing plug in upper end and reversing drain. Motors have RTV sealed end bracket-to-frame fits, epoxy coated rotor and stator, alemite grease fittings with automatic grease relief fittings, lead lugs, low vibration, and quiet operation (below 90 dBA sound power). Motors are inverter ready. 5-year warranty.



Hp	RPM	NEMA Frame	Catalog Number	List Price	Mult. Sym.	"C" Dim.	Aprx. Wt. (lb)	Full Load Efficiency	Voltage	Full Load Amps	Notes (a)
5	1800	L184T	<a href="#">ECP63665TR-4</a>	1,322	SD	17.12	142	89.5	460	6.6	1,5
7 1/2	1800	L213T	<a href="#">ECP63770TR-4</a>	1,666	SD	20.19	220	91.7	460	9.4	1,5
10	1800	L215T	<a href="#">ECP63774TR-4</a>	1,972	SD	20.19	224	91.7	460	12.3	1,5
15	1800	254T	<a href="#">ECP62333TR-4</a>	2,539	SD	24.56	326	92.4	460	18.1	1,5
20	1800	256T	<a href="#">ECP62334TR-4</a>	2,745	SD	24.56	364	93	460	24	1,5
25	1800	284T	<a href="#">ECP64103TR-4</a>	3,561	SD	27.44	456	93.6	460	29.7	1,5
30	1800	286T	<a href="#">ECP64104TR-4</a>	4,193	SD	27.44	456	93.6	460	36.1	1,5
40	1800	324T	<a href="#">ECP64110TR-4</a>	5,583	SD	30.44	670	94.2	460	47.7	1,5
50	1800	326T	<a href="#">ECP64115TR-4</a>	6,556	SD	30.44	726	94.5	460	58.8	1,5
60	1800	364T	<a href="#">ECP64314TR-4</a>	8,705	SD	33.44	850	95	460	68	1,5
75	1800	365T	<a href="#">ECP64316TR-4</a>	10,124	SD	33.44	890	95.4	460	85.9	1,5

(a) See notes on inside back flap and pages 5-6.

All ratings are 1.15 service factor at 40°C ambient. All ratings meet 50°C ambient at 1.00 service factor and weatherproof intent of IEEE 45 and USCG 259 marine duty (below deck).

■ Cast Iron Frame

General Information

Premium Efficient Super-E® Motors

Single Phase Motors

General Purpose Industrial Motors

Severe Duty Motors

Washdown Duty Motors

Explosion Proof Motors

Pump Motors

Commercial Motors

HVAC Motors

Medium Voltage,  
Three Phase,  
2300/4000 Volts,  
Foot Mounted

200 thru 1500 Hp

NEMA 449TS thru O5812

**Applications:** Petro-chemical plants, mines, foundries, pulp and paper plants, waste management facilities, chemical plants, tropical climates and other processing industry applications requiring protection against corrosion caused by severe environmental operating conditions.

**Features:** Super-E® Liberator design. Form coil VPI construction, high-pressure die cast aluminum rotor, all cast iron, NEMA Premium® efficiency three year warranty. Includes 100 ohm platinum winding RTDs and space heaters. Motors not convertible to roller bearing configuration. 2, 4 and 6-pole “S” motors have short shaft for coupled loads. 4-pole “L” motors have ball bearing and may be converted to roller bearing. 6-pole “LR” motors have roller bearing and may be converted to ball bearing. Conversion kits on page 390.



General Information  
Premium Efficient Super-E® Motors  
Single Phase Motors  
General Purpose Industrial Motors  
Severe Duty Motors  
Washdown Duty Motors  
Explosion Proof Motors  
Pump Motors  
Commercial Motors  
HVAC Motors

Hp	RPM	NEMA Frame	Catalog Number	List Price	Mult. Sym.	“C” Dim.	Aprx. Wt. (lb)	Full Load Efficiency	Voltage	Full Load Amps	Notes (a)
<b>TEFC</b>											
200	3600	449TS	ECP44202T-2341	44,032	LM	48.93	2,300	94.1	2300/4160	25	1,27,64
	1800	449T	ECP44204T-2341	42,886	LM	52.65	2,349	94.1	2300/4160	26	1,27,64
250	3600	5007SY	ECP50252S-2341	70,381	LM	54.03	3,600	95	2300/4160	31	1,26,27,61,64
		G5008	ECP50252S-2340	69,280	LM	60.14	5,300	95	2300/4100	32	1,64
	1800	G5008	ECP50254L-2340	67,956	LM	64.14	4,700	95	2300/4100	33	1,27,64
		G5008	ECP50254S-2340	65,753	LM	60.14	4,700	95	2300/4100	33	1,27,64
	1200	G5010	ECP50256LR-2340	75,423	LM	71.14	5,650	95	2300/4100	34	1,27,64
		G5010	ECP50256S-2340	72,119	LM	67.14	5,550	95	2300/4100	34	1,27,64
300	3600	G5008	ECP50302S-2340	71,299	LM	60.14	5,300	95.2	2300/4100	38	1,64
		G5008	ECP50304L-2340	69,616	LM	64.14	5,140	95	2300/4100	40	1,27,64
	1800	G5008	ECP50304S-2340	67,413	LM	60.14	4,700	95	2300/4100	40	1,27,64
		G5010	ECP50306LR-2340	77,709	LM	71.14	5,650	95	2300/4100	40	1,27,64
	1200	G5010	ECP50306S-2340	74,404	LM	67.14	5,550	95	2300/4100	40	1,27,64
		G5010	ECP50352S-2340	73,020	LM	67.14	6,000	95	2300/4100	44	1,64
350	3600	G5010	ECP50352S-2340	73,020	LM	67.14	6,000	95	2300/4100	44	1,64
		G5008	ECP50354L-2340	71,285	LM	64.14	6,000	95.1	2300/4100	47	1,27,64
	1800	G5008	ECP50354S-2340	69,083	LM	60.14	4,700	95.1	2300/4100	47	1,27,64
		G5012	ECP50356LR-2340	83,383	LM	79.14	6,600	95	2300/4100	46	1,27,64
	1200	G5012	ECP50356S-2340	80,079	LM	75.14	6,500	95	2300/4100	46	1,27,64
		G5010	ECP50402S-2340	75,244	LM	67.14	6,000	95.1	2300/4100	51	1,64
400	3600	G5010	ECP50402S-2340	75,244	LM	67.14	6,000	95.1	2300/4100	51	1,64
		G5008	ECP50404L-2340	72,989	LM	64.14	4,036	95.3	2300/4100	54	1,27,64
	1800	G5008	ECP50404S-2340	70,786	LM	60.14	4,700	95.3	2300/4100	54	1,27,64
		G5012	ECP50406LR-2340	86,197	LM	79.14	6,600	95.2	2300/4100	53	1,27,64
	1200	G5012	ECP50406S-2340	82,893	LM	75.14	6,500	95.2	2300/4100	53	1,27,64
		G5010	ECP50452S-2340	76,781	LM	67.14	5,500	95.3	2300/4100	57	1,64
450	3600	G5010	ECP50452S-2340	76,781	LM	67.14	5,500	95.3	2300/4100	57	1,64
		5011Y	ECP50454L-2341	75,728	LM	72.05	5,650	95.4	2300/4160	56	1,26,61,64
	1800	G5010	ECP50454L-2340	74,627	LM	71.14	6,200	95.5	2300/4100	59	1,27,64
		G5010	ECP50454S-2340	72,424	LM	67.14	5,550	95.5	2300/4100	59	1,27,64
	1200	G5012	ECP50456LR-2340	91,333	LM	79.14	6,600	95.2	2300/4100	60	1,27,64
		G5012	ECP50456S-2340	88,029	LM	75.14	6,500	95.2	2300/4100	60	1,27,64
500	3600	G5010	ECP50502S-2340	83,190	LM	67.14	5,500	95.5	2300/4100	63	1,64
		G5012	ECP50504L-2340	77,508	LM	71.14	5,500	95.7	2300/4100	65	1,27,64
	1800	G5010	ECP50504S-2340	75,305	LM	67.14	5,550	95.7	2300/4100	65	1,27,64
		G5012	ECP50506LR-2340	96,195	LM	79.14	6,600	95.2	2300/4100	66	1,27,64
	1200	G5012	ECP50506S-2340	92,891	LM	75.14	6,500	95.2	2300/4100	66	1,27,64
		G5010	ECP50602S-2340	81,615	LM	67.14	5,500	95.2	2300/4100	76	1,64
600	3600	G5010	ECP50602S-2340	81,615	LM	67.14	5,500	95.2	2300/4100	76	1,64
		G5012	ECP50604L-2340	81,815	LM	79.14	5,500	95.4	2300/4100	79	1,27,64
	1800	G5012	ECP50604S-2340	79,612	LM	75.14	6,500	95.4	2300/4100	79	1,27,64
		G5012	ECP50606LR-2340	117,274	LM	90.07	6,600	95.4	2300/4100	79	1,27,64
	1200	G5012	ECP50606S-2340	113,969	LM	86.07	6,500	95.4	2300/4100	79	1,27,64
		G400J	ECP40702S-2340	104,667	LM	83.31	10,000	95.6	2300/4100	89	1,64
700	3600	G400J	ECP40702S-2340	104,667	LM	83.31	10,000	95.6	2300/4100	89	1,64
	1800	G5012	ECP50704S-2340	82,932	LM	75.14	6,500	95.6	2300/4100	92	1,27,64

(a) See notes on inside back flap and pages 5-6.

Custom TEFC motors available through 2,250 Hp; Open and WPIL custom motors through 15,000 Hp. Contact your Baldor•Reliance Sales Representative.

Cast Iron Frame



Medium Voltage, Three Phase, 2300/4000 Volts, Foot Mounted

Hp	RPM	NEMA Frame	Catalog Number	List Price	Mult. Sym.	"C" Dim.	Aprx. Wt. (lb)	Full Load Efficiency	Voltage	Full Load Amps	Notes (a)
<b>TEFC (continued)</b>											
800	3600	G400J	ECP40802S-2340	112,459	LM	83.31	10,000	95.8	2300/4100	102	1,64
	1800	G5012	ECP50804L-2340	91,605	LM	79.14	5,500	95.9	2300/4100	104	1,27,64
		G5012	ECP50804S-2340	89,402	LM	75.14	6,500	95.9	2300/4100	104	1,27,64
900	1800	G5012	ECP50904L-2340	103,583	LM	86.07	6,300	96	2300/4100	118	1,27,64
1,000	1800	G400J	ECP401004S-2340	123,893	LM	86.07	10,000	96.1	2300/4100	129	1,27,64
<b>WPII</b>											
900	3600	O5808	EM25902S-2340	94,305	LM	58.50	6,700	94.5	2300/4100	120	1,27,64
1,000	3600	O5808	EM251002S-2340	106,775	LM	58.50	6,700	94.4	2300/4100	135	1,27,64
1,250	3600	O5810	EM251252S-2340	116,712	LM	66.50	7,700	95.7	2300/4100	160	1,64,88
	1800	O5810	EM251254S-2340	115,072	LM	63.99	8,200	95.4	2300/4100	164	1,27,64
1,500	3600	O5810	EM251502S-2340	120,533	LM	66.50	7,700	95.8	2300/4100	191	1,64,88
	1800	O5812	EM251504S-2340	123,576	LM	72.99	9,500	95.7	2300/4100	191	1,27,64

(a) See notes on inside back flap and pages 5-6.

Custom TEFC motors available through 2,250 Hp; Open and WPII custom motors through 15,000 Hp. Contact your Baldor•Reliance Sales Representative.

■ Cast Iron Frame

Quarry Duty Motors, Three Phase, TEFC, Design C, High Torque

2 thru 75 Hp

NEMA 145T thru 365T

Applications: Conveyors, gear reducers and applications requiring Design C torques.

Features: Cast iron frame, Class F insulation, Class B rise. UL and CSA recognized component approval.



Hp	RPM	NEMA Frame	Catalog Number	List Price	Mult. Sym.	"C" Dim.	Aprx. Wt. (lb)	Full Load Efficiency	Voltage	Full Load Amps	Notes (a)
<b>Foot Mounted</b>											
2	1800	145T	M3558T-9	502	L1	13.31	45	82.5	208-230/460	3.1	
3	1800	182T	M3611T-9	589	L1	15.17	57	82.5	208-230/460	4.3	1
5	1800	184T	M3665T-9	924	L1	15.62	138	87.5	230/460	7	
		184T	M3615T-9	680	L1	18.05	86	88.5	230/460	6.6	1
7 1/2	1800	213T	M3710T-9	864	L1	17.89	120	85.5	230/460	9.7	1
		213T	M3770T-9	1,239	L1	19.31	147	89.5	230/460	10.4	
10	1800	215T	M3774T-9	1,335	L1	19.31	162	89.5	230/460	13.4	
		215T	M3714T-9	1,005	L1	19.01	141	87.5	230/460	12.5	1
15	1800	254T	M2333T-9	1,776	L1	23.28	239	87.5	230/460	18.7	1,30
20	1800	256T	M2334T-9	2,144	L1	23.28	280	91	230/460	25.8	
25	1800	284T	M4103T-9	2,659	L1	27.56	475	92.4	230/460	31	
30	1800	286T	M4104T-9	3,141	L1	27.56	479	92.4	230/460	39.8	
40	1800	324T	M4110T-9	4,167	L1	30.44	610	93	230/460	52.1	
50	1800	326T	M4115T-9	4,314	L1	30.44	629	93	230/460	65.6	
60	1800	364T	M4314T-9	7,600	L1	33.44	847	93.6	230/460	73.1	
75	1800	365T	M4316T-9	8,195	L1	33.44	828	94.1	230/460	88.5	
<b>C-Face, Footless</b>											
3	1800	182TC	VM3661T-9	839	L1	15.99	85	84	230/460	4.3	1
5	1800	184TC	VM3665T-9	860	L1	15.99	100	85.5	230/460	6.6	1

(a) See notes on inside back flap and pages 5-6.

■ Cast Iron Frame

General Information

Premium Efficient Super-E® Motors

Single Phase Motors

General Purpose Industrial Motors

Severe Duty Motors

Washdown Duty Motors

Explosion Proof Motors

Pump Motors

Commercial Motors

HVAC Motors

**Crusher Motors,  
Three Phase,  
TEFC, 460 Volt,  
Foot Mounted**

**75 thru 350 Hp**

**NEMA 405T thru L449T**

**Applications:** Belt-driven rock crushers, pellet mills, and other applications requiring motors rated for severe duty service and high starting torques.

**Features:** High torque design exceeds NEMA Design C locked rotor, pull up, and breakdown torques. 1.15 Service Factor. Corrosion resistant epoxy finish. Regreasable ball bearings. Oversize, rotatable cast iron conduit box. V-Ring shaft seal. Moisture resistant copper windings with Class F tropicalized insulation. Stainless steel nameplate and corrosion resistant hardware. Pulley end roller bearings and high strength steel shaft for belted loads only; not suitable for direct coupled loads.



Hp	RPM	NEMA Frame	Catalog Number	List Price	Mult. Sym.	"C" Dim.	Aprx. Wt. (lb)	Full Load Efficiency	Voltage	Full Load Amps	Notes (a)
75	1200	405T	CR4404TR-4	12,585	SD	38.31	1,160	93.6	460	99	1,5
	1800	405T	CR4400TR-4	9,527	SD	38.31	1,114	93	460	118	1,5
100	1200	444T	CR4409TR-4	13,000	SD	44.62	1,783	93.6	460	127	1,5
	1800	444T	CR4410TR-4	12,123	SD	44.62	1,722	93	460	146	1,5
125	1200	445T	CR4411TR-4	14,687	SD	44.62	2,019	93.6	460	159	1,5
	1800	445T	CR4406TR-4	14,199	SD	44.62	1,811	93.6	460	175	1,5
150	1200	447T	CR44156TR-4	16,558	SD	48.40	2,078	94.5	460	187	1,5
	1800	447T	CR4407TR-4	17,086	SD	48.40	1,837	94.5	460	236	1,5
200	1200	449T	CR44206TR-4	21,686	SD	53.40	2,471	95	460	238	1,5
	1800	449T	CR4408TR-4	21,977	SD	53.40	2,526	95.4	460	284	1,5
250	1200	449T	CR44256TR-4	31,110	SD	53.40	2,719	95.4	460	295	1,5
	1800	449T	CR44304TR-4	29,738	SD	53.40	2,345	95.4	460	353	1,5
300	1200	L449T	CR44306TR-4	40,466	SD	60.13	3,669	95.8	460	371	1,5
	1800	449T	CR44354TR-4	35,299	SD	53.40	2,410	95.8	460	404	1,5

(a) See notes on inside back flap and pages 5-6.

■ Cast Iron Frame

General Information

Premium Efficient Super-E® Motors

Single Phase Motors

General Purpose Industrial Motors

Severe Duty Motors

Washdown Duty Motors

Explosion Proof Motors

Pump Motors

Commercial Motors

HVAC Motors

**Dirty Duty,  
Three Phase, TEFC,  
230/460 575 Volts**

**1/2 thru 20 Hp**

**NEMA 56 thru 256T**



**Applications:** Petro-chemical plants, mines, foundries, pulp and paper plants, waste management facilities, chemical plants, tropical climates and other processing industry applications requiring protection against corrosion caused by severe environmental operating conditions.

**Features:** 1.0 Service Factor at 50°C ambient, weatherproof per IEEE 45 and USCG 259 marine duty (below deck duty only). 416 stainless steel shaft for corrosion protection from severe conditions.

Hp	RPM	NEMA Frame	Catalog Number	List Price	Mult. Sym.	"C" Dim.	Aprx. Wt. (lb)	Full Load Efficiency	Voltage	Full Load Amps	Notes (a)	
<b>Foot Mounted, No Drip Cover</b>												
1/2	1800	56	M8001	492	SD	11.35	26	74	230/460	1	1,30	
3/4	1800	56	M8002	626	SD	11.35	29	75.5	230/460	1.5	1,30	
1	1800	56	M8003	684	SD	12.85	35	78.5	208-230/460	1.7	1	
		143T	M8003T	772	SD	12.75	57	82.5	208-230/460	1.65	1	
1 1/2	1800	145T	M8004T	754	SD	12.75	60	84	208-230/460	2.3	1	
2	1800	145T	M8005T	799	SD	12.75	64	84	208-230/460	2.8	1	
3	1800	182T	M8006T	1,035	SD	15.93	104	87.5	208-230/460	4.1	1	
5	1800	184T	M8007T	1,164	SD	15.93	113	87.5	208-230/460	6.7	1	
7 1/2	1800	213T	M8008T	1,418	SD	19.32	191	89.5	208-230/460	10.3	1	
10	1800	215T	M8009T	1,684	SD	19.32	170	89.5	208-230/460	13	1	
15	1800	254T	M8010T	2,408	SD	21.94	260	91	208-230/460	18.5	1	
20	1800	256T	M8014T	2,929	SD	23.69	276	91	230/460	25	1,30	
<b>C-Face, Foot Mounted, No Drip Cover</b>												
1/2	3600	56C	CM8537	513	SD	9.38	33	68	208-230/460	0.8	1	
	1800	56C	CM8001	535	SD	13.16	32	82.5	230/460	1.7	1	
	1200	56C	CM8539	698	SD	12.16	38	74	230/460	1.2	1	
3/4	1800	56C	CM8002	669	SD	10.45	26	82.5	230/460	1.1	1	
	1200	56C	CM8543	822	SD	12.16	38	74	208-230/460	1.5	1	
1	1800	56C	CM8003	727	SD	11.45	31	81	208-230/460	1.45	1	
	1200	56C	CM8556	877	SD	10.45	39	74	208-230/460	1.7	1	
1 1/2	1800	56C	CM8004	797	SD	13.16	37	78.5	208-230/460	2.8	1	
		145TC	CM8004T	797	SD	13.65	38	84	208-230/460	2.2	1	
2	1800	145TC	CM8005T	841	SD	13.65	46	84	208-230/460	2.9	1	
<b>C-Face, Footless, No Drip Cover</b>												
1/2	3600	56C	VM8537	504	SD	10.45	19	77	230/460	0.8	1	
	1800	56C	VM8001	514	SD	11.35	27	74	230/460	1	1,30	
		56C	VM8001-5	514	SD	10.45	33	80	575	0.72	1	
3/4	3600	56C	VM8541	637	SD	11.05	22	80	230/460	1.1	1,30	
		56C	VM8002	648	SD	10.45	30	82.5	230/460	1.3	1,30	
		56C	VM8002-5	648	SD	11.45	31	82.5	575	1	1	
1	3600	56C	VM8012	640	SD	11.35	28	75.5	230/460	1.8	1,30	
		56C	VM8003	698	SD	12.85	36	78.5	208-230/460	1.7	1	
		1800	143TC	VM8003T-5	730	SD	13.22	54	82.5	575	1.2	1
			143TC	VM8003T	730	SD	13.25	53	77	208-230/460	1.7	1
1 1/2	3600	56C	VM8550	757	SD	13.16	37	82.5	230/460	2.3	1	
		1800	56C	VM8004	744	SD	12.24	41	78.5	208-230/460	2.5	1
			145TC	VM8004T-5	716	SD	13.65	41	84	575	1.7	1
			145TC	VM8004T	716	SD	13.25	56	78.5	208-230/460	2.5	1
2	3600	56C	VM8016	803	SD	13.16	58	84	208-230/460	2.5	1	
		145TC	VM8016T	803	SD	13.25	61	78.5	208-230/460	2.7	1	
		1800	56C	VM8005	755	SD	13.16	44	81.8	208-230/460	3.1	1
			145TC	VM8005T-5	755	SD	14.28	62	84	575	2.2	1
3	1800	145TC	VM8005T	755	SD	13.25	64	82.5	208-230/460	3.1	1	
		145TC	VM859T	877	SD	15.28	56	83.6	208-230/460	4.1	1	
		182TC	VM8006T	1,028	SD	16.69	98	84	208-230/460	4.3	1	
		182TC	VM8007T	1,149	SD	16.69	110	85.5	208-230/460	6.6	8	
7 1/2	1800	213TC	VM8008T	1,483	SD	20.06	180	89.5	208-230/460	10.3	1	
10	1800	215TC	VM8024T	1,667	SD	20.06	185	88.5	208-230/460	13.8	8	

(a) See notes on inside back flap and pages 5-6.  
 Dirty duty not recommended for a chlorine atmosphere.  
 ■ Cast Iron Frame

General Information

Premium Efficient Super-E® Motors

Single Phase Motors

General Purpose Industrial Motors

Severe Duty Motors

Washdown Duty Motors

Explosion Proof Motors

Pump Motors

Commercial Motors

HVAC Motors

**Dirty Duty Washdown, 1/2 thru 10 Hp  
Three Phase,  
230/460 Volts,  
C-Face**

**NEMA 56C thru 256TC**

**Applications:** The most severe and corrosive applications, those which use intense high-pressure washdown, and marine applications.

**Features:** Proprietary bonded surface coating, stainless steel shaft extension, non-contact rotating labyrinth shaft seal on drive and fan ends, threaded drain ports, stainless steel plugs, gasketed and sealed conduit box, FDA approved surface coating, IP56 enclosure. Weatherproof per IEEE 45 and USCG 259 marine duty (below deck duty only). Class F insulated motor with 1.15 service factor or higher that operates within class "B" temperature limits at rated horsepower.



Hp	RPM	NEMA Frame	Catalog Number	List Price	Mult. Sym.	"C" Dim.	Aprx. Wt. (lb)	Full Load Efficiency	Voltage	Full Load Amps	Notes (a)
<b>Foot Mounted</b>											
1/2	1800	56C	CWAM3538	601	SD	11.05	33	75.5	230/460	0.8	1,30,60
3/4	1800	56C	CWAM3542	694	SD	11.05	40	80	230/460	1.1	1,30,60
1	3600	56C	CWAM3545	716	SD	12.28	37	74	208-230/460	1.6	1
		56C	CWAM3546	719	SD	12.05	42	81.5	208-230/460	1.6	1,60
	1800	143TC	CWAM3546T	719	SD	12.12	42	81.5	208-230/460	1.6	1,60
		56C	CWAM3556	926	SD	13.28	46	75.5	208-230/460	1.7	1
1 1/2	3600	56C	CWAM3550	802	SD	13.28	41	75.5	208-230/460	2.3	1
	1800	145TC	CWAM3554T	752	SD	13.00	52	82.5	208-230/460	2.1	1,60
	1200	56C	CWAM3557	1,050	SD	13.28	47	75.5	230/460	2.5	1
2	3600	56C	CWAM3555	882	SD	13.28	49	78.5	208-230/460	2.7	1
	1800	56C	CWAM3558	926	SD	13.28	52	84	208-230/460	2.8	1,60
		145TC	CWAM3558T	926	SD	13.35	49	84	208-230/460	2.9	1
3	1200	184TC	CWAM3614T	1,182	SD	16.60	89	86.5	208-230/460	3.5	1
	3600	145TC	CWAM3559T	1,084	SD	14.23	60	85.5	208-230/460	3.7	1
	1800	182TC	CWAM3611T	1,132	SD	16.60	86	87.5	208-230/460	4.1	1
5	1200	213TC	CWAM3704T	1,476	SD	18.63	130	87.5	208-230/460	4.6	1
	3600	184TC	CWAM3613T	1,267	SD	16.60	85	87.5	208-230/460	5.8	1
	1800	184TC	CWAM3615T	1,318	SD	16.60	96	87.5	208-230/460	7.1	1
7 1/2	1200	215TC	CWAM3708T	1,953	SD	19.76	138	87.5	208-230/460	7.5	1
	3600	184TC	CWAM3616T	1,677	SD	18.10	103	88.5	208-230/460	8.7	1
	1800	213TC	CWAM3710T	1,621	SD	18.63	132	89.5	208-230/460	10.1	1
10	1200	254TC	CWAM22976T	2,888	SD	23.57	213	89.5	208-230/460	11.2	1
	3600	215TC	CWAM3711T	1,922	SD	18.63	144	89.5	208-230/460	11.5	1
	1800	215TC	CWAM3714T	1,845	SD	19.76	149	89.5	208-230/460	13.5	1
1200	256TC	CWAM23932T	3,192	SD	23.57	250	89.5	208-230/460	15.3	1	
<b>Footless</b>											
1/2	1800	56C	VWAM3538	595	SD	11.05	34	75.5	208-230/460	0.8	1,60
3/4	1800	56C	VWAM3542	688	SD	11.05	40	80	208-230/460	1.1	1,60
1	1800	56C	VWAM3546	714	SD	12.05	45	81.5	208-230/460	1.6	1,60
		143TC	VWAM3546T	714	SD	12.13	43	81.5	208-230/460	1.6	1,60
1 1/2	1800	56C	VWAM3554	748	SD	12.93	52	82.5	208-230/460	2.1	1,60
		145TC	VWAM3554T	748	SD	13.00	21	82.5	208-230/460	2.1	1,60
2	1800	56C	VWAM3558	921	SD	13.28	48	82.5	208-230/460	3.1	1
		145TC	VWAM3558T	921	SD	13.35	48	82.5	208-230/460	3.1	1
3	1800	182TC	VWAM3611T	1,115	SD	15.23	62	84	208-230/460	4.1	1
5	1800	184TC	VWAM3615T	1,300	SD	16.60	90	85.5	208-230/460	6.6	1
7 1/2	1800	213TC	VWAM3710T	1,589	SD	18.63	134	87.5	208-230/460	10.9	1
10	1800	215TC	VWAM3714T	1,812	SD	19.76	144	89.5	208-230/460	13.5	1

(a) See notes on inside back flap and pages 5-6.

General Information

Premium Efficient Super-E@ Motors

Single Phase Motors

General Purpose Industrial Motors

Severe Duty Motors

Washdown Duty Motors

Explosion Proof Motors

Pump Motors

Commercial Motors

HVAC Motors

Single and Three Phase, Totally Enclosed

1/2 thru 20 Hp

NEMA 56C thru 256TC

**Applications:** Food processing and other applications where motors receive washdown on a regular basis.

**Features:** 300 series stainless steel hardware, moisture sealant on bolt heads, between frame and endplates. Neoprene gaskets. Double sealed ball bearings. Lip and V-Ring seal on drive end; slinger on ODE of TEFC motors. Stainless steel shaft extension. Electrostatically applied epoxy finish over autophoretic primer. Class F insulation. Tropicalized. EWDM, CEWDM and VEWDM Super-E® motors have NEMA Premium® efficiency and 3 year warranty.



Hp	RPM	NEMA Frame	Enclosure	Catalog Number	List Price	Mult. Sym.	"C" Dim.	Aprx. Wt. (lb)	Full Load Efficiency	Voltage	Full Load Amps	Notes (a)
<b>Single Phase, C-Face, Foot Mounted</b>												
1/2	1800	56C	TEFC	CWDL3504	521	WD	12.23	34	64	115/230	4	1,30
3/4	1800	56C	TEFC	CWDL3507	606	WD	12.23	33	68	115/230	5.5	1,30
1	3600	56C	TEFC	CWDL3509	527	WD	12.23	37	68	115/230	5.9	1,30
	1800	56C	TEFC	CWDL3510	698	WD	13.23	37	67	115/230	6.4	1,30
1 1/2	3600	56C	TEFC	CWDL3513	703	WD	13.23	42	70	115/230	8	1,30
	1800	56C	TEFC	CWDL3514	835	WD	14.12	48	75.5	115/230	8	1,30
<b>Single Phase, C-Face, Footless</b>												
1/2	1800	56C	TEFC	VWDL3504	499	WD	12.25	32	64	115/230	4	1,30
3/4	1800	56C	TEFC	VWDL3507	587	WD	12.25	35	68	115/230	5.5	1,30
1	1800	56C	TEFC	VWDL3510	672	WD	13.25	39	67	115/230	6.4	1,30
1 1/2	1800	56C	TEFC	VWDL3514	807	WD	14.10	46	75.5	115/230	8	1,30
<b>Three Phase, Foot Mounted</b>												
1/2	1800	56	TENV	WDM3538	522	WD	11.07	27	75.5	230/460	0.8	1,30,60
3/4	1800	56	TENV	WDM3542	558	WD	11.07	32	80	230/460	1.1	1,30,60
1	1800	143T	TENV	EWDM3546T	780	WD	12.12	42	86.5	208-230/460	1.4	1,60
		143T	TENV	WDM3546T	585	WD	12.12	39	81.5	208-230/460	1.6	1,60
1 1/2	1800	145T	TENV	EWDM3554T	857	WD	13.00	47	86.5	230/460	2	1,30,60
		145T	TENV	WDM3554T	640	WD	13.00	45	82.5	208-230/460	2.1	1,60
2	1800	145T	TEFC	EWDM3558T	1,006	WD	14.18	45	86.5	208-230/460	2.7	1
		145T	TEFC	WDM3558T	710	WD	13.30	44	84	208-230/460	2.9	1
3	1800	182T	TEFC	EWDM3611T	1,257	WD	16.54	68	89.5	208-230/460	4.1	1
		182T	TEFC	WDM3611T	939	WD	16.54	68	87.5	208-230/460	4.1	1
5	1800	184T	TEFC	EWDM3615T	1,431	WD	18.03	89	90.2	230/460	6.5	1,30
		184T	TEFC	WDM3615T	1,072	WD	16.54	78	87.5	208-230/460	7.1	1
7 1/2	1800	213T	TEFC	EWDM3710T	1,791	WD	19.04	141	91.7	230/460	9.4	1,30
		213T	TEFC	WDM3710T	1,339	WD	17.89	127	89.5	208-230/460	10.1	1
10	1800	215T	TEFC	EWDM3714T	1,951	WD	20.54	158	92.4	230/460	12.5	1,30
		215T	TEFC	WDM3714T	1,425	WD	19.04	139	89.5	208-230/460	13.5	1
<b>Three Phase, C-Face, Foot Mounted</b>												
1/2	3600	56C	TENV	CWDM3537	508	WD	11.07	27	70	208-230/460	0.9	1,60
	1800	56C	TENV	CWDM3538	550	WD	11.07	31	75.5	230/460	0.8	1,30,60
	1200	56C	TENV	CWDM3539	695	WD	12.06	37	77	230/460	1	1,30,60
3/4	3600	56C	TENV	CWDM3541	533	WD	11.07	35	80	230/460	1.1	1,30,60
	1800	56C	TENV	CWDM3542	597	WD	11.07	34	80	230/460	1.1	1,30,60
	1200	56C	TENV	CWDM3543	839	WD	12.94	43	78.5	208-230/460	1.3	1,60
1	3600	56C	TEFC	CEWDM3545	875	WD	12.24	34	84	230/460	1.4	1,60
		56C	TENV	CWDM3545	630	WD	11.07	33	82.5	230/460	1.3	1,60
	1800	56C	TENV	CEWDM3546	878	WD	12.94	44	87.5	230/460	1.4	1
		56C	TENV	CWDM3546	640	WD	12.06	37	81.5	208-230/460	1.6	1,60
		143TC	TENV	CEWDM3546T	897	WD	12.13	40	86.5	208-230/460	1.4	1,60
		143TC	TENV	CWDM3546T	658	WD	12.13	39	81.5	208-230/460	1.6	1,60
	1200	56C	TEFC	CEWDM3556	986	WD	13.24	41	82.5	208-230/460	1.8	1,60
		56C	TEFC	CWDM3556	811	WD	13.24	35	75.5	208-230/460	1.7	1

(a) See notes on inside back flap and pages 5-6.

General Information

Premium Efficient Super-E® Motors

Single Phase Motors

General Purpose Industrial Motors

Severe Duty Motors

Washdown Duty Motors

Explosion Proof Motors

Pump Motors

Commercial Motors

HVAC Motors



**BALDOR • RELIANCE**  
**Single and Three Phase, Totally Enclosed**

Hp	RPM	NEMA Frame	Enclosure	Catalog Number	List Price	Mult. Sym.	"C" Dim.	Aprx. Wt. (lb)	Full Load Efficiency	Voltage	Full Load Amps	Notes (a)
<b>Three Phase, C-Face, Foot Mounted (continued)</b>												
1 1/2	3600	56C	TENV	<b>CEWDM3550</b>	898	WD	12.07	44	85.5	208-230/460	2	1,60
		56C	TENV	<b>CWDM3550</b>	658	WD	12.94	51	82.5	208-230/460	2.1	1,60
	1800	56C	TEFC	<b>CWDM3554</b>	673	WD	12.24	34	78.5	208-230/460	2.5	1
		145TC	TENV	<b>CEWDM3554T</b>	939	WD	13.00	48	86.5	230/460	2	1,30,60
		145TC	TENV	<b>CWDM3554T</b>	692	WD	13.00	48	82.5	208-230/460	2.1	1,60
1200	56C	TEFC	<b>CWDM3557</b>	858	WD	13.24	39	75.5	230/460	2.5	1	
2	3600	56HCY	TEFC	<b>CEWDM3555</b>	972	WD	14.12	47	86.5	208-230/460	2.5	1
		56HCY	TEFC	<b>CWDM3555</b>	745	WD	13.24	40	78.5	208-230/460	2.7	1
		145TC	TEFC	<b>CEWDM3555T</b>	991	WD	14.17	51	86.5	208-230/460	2.5	1
		145TC	TEFC	<b>CWDM3555T</b>	764	WD	13.30	44	84	208-230/460	2.6	1
	1800	56C	TEFC	<b>CWDM3558</b>	743	WD	13.24	42	82.5	208-230/460	3.1	1
		145TC	TEFC	<b>CEWDM3558T</b>	1,034	WD	14.17	47	86.5	208-230/460	2.7	1
1200	145TC	TEFC	<b>CWDM3558T</b>	775	WD	13.28	44	84	208-230/460	2.9	1	
3	3600	184TC	TEFC	<b>CWDM3614T</b>	1,026	WD	16.54	75	86.5	208-230/460	3.5	1
		145TC	TEFC	<b>CEWDM3559T</b>	1,221	WD	15.55	59	86.5	230/460	3.6	1,30
		145TC	TEFC	<b>CWDM3559T</b>	914	WD	14.17	55	85.5	208-230/460	3.7	1
	1800	182TC	TEFC	<b>CWDM3610T</b>	1,008	WD	15.18	60	85.5	208-230/460	3.7	1
		182TC	TEFC	<b>CEWDM3611T</b>	1,359	WD	16.54	75	89.5	208-230/460	4.1	1
1200	182TC	TEFC	<b>CWDM3611T</b>	1,018	WD	16.54	74	87.5	208-230/460	4.1	1	
5	3600	213TC	TEFC	<b>CWDM3704T</b>	1,293	WD	18.65	112	87.5	208-230/460	4.6	1
		184TC	TEFC	<b>CEWDM3613T</b>	1,617	WD	16.54	81	90.2	208-230/460	5.6	1
		184TC	TEFC	<b>CWDM3613T</b>	1,275	WD	16.54	77	87.5	208-230/460	5.8	1
	1800	184TC	TEFC	<b>CEWDM3615T</b>	1,539	WD	18.04	96	90.2	230/460	6.5	1,30
		184TC	TEFC	<b>CWDM3615T</b>	1,151	WD	16.54	82	87.5	208-230/460	7.1	1
1200	215TC	TEFC	<b>CWDM3708T</b>	1,659	WD	19.78	122	87.5	208-230/460	7.5	1	
7 1/2	3600	184TC	TEFC	<b>CWDM3616T</b>	1,454	WD	18.04	89	88.5	208-230/460	8.7	1
		213TC	TEFC	<b>CEWDM3709T</b>	2,278	WD	19.78	139	91	208-230/460	8.6	1
		213TC	TEFC	<b>CWDM3709T</b>	1,581	WD	18.54	101	88.5	208-230/460	8.7	1
	1800	213TC	TEFC	<b>CEWDM3710T</b>	1,948	WD	19.78	129	91.7	230/460	9.4	1,30
		213TC	TEFC	<b>CWDM3710T</b>	1,459	WD	18.65	131	89.5	208-230/460	10.1	1
1200	254TC	TEFC	<b>CWDM22976T</b>	2,656	WD	23.57	213	89.5	208-230/460	11.2	1	
10	3600	215TC	TEFC	<b>CEWDM3711T</b>	2,507	WD	19.78	151	91.7	230/460	11.2	1,30
		215TC	TEFC	<b>CWDM3711T</b>	1,876	WD	18.65	128	89.5	208-230/460	11.5	1
	1800	215TC	TEFC	<b>CEWDM3714T</b>	2,215	WD	21.27	158	92.4	230/460	12.5	1
		215TC	TEFC	<b>CWDM3714T</b>	1,657	WD	19.78	140	89.5	208-230/460	13.5	1
1200	256TC	TEFC	<b>CWDM23932T</b>	2,989	WD	23.57	245	89.5	208-230/460	15.3	1	
15	3600	215TC	TEFC	<b>CEWDM3713T</b>	3,150	WD	21.26	174	91	230/460	16.6	1
		215TC	TEFC	<b>CWDM3713T</b>	2,357	WD	21.26	169	90.2	208-230/460	17	1
		254TC	TEFC	<b>CEWDM23994T</b>	4,425	WD	21.94	158	91	230/460	16.6	1
	1800	254TC	TEFC	<b>CWDM23994T</b>	3,286	WD	21.94	195	90.2	208-230/460	17	1
		254TC	TEFC	<b>CEWDM23933T</b>	4,356	WD	23.57	226	92.4	230/460	18	1
1200	254TC	TEFC	<b>CWDM23933T</b>	3,234	WD	23.57	248	91	230/460	17.3	1,30	
20	3600	256TC	TEFC	<b>CEWDM41906T</b>	5,080	WD	23.57	242	92.4	230/460	22.5	1
		256TC	TEFC	<b>CWDM41906T</b>	3,773	WD	23.57	274	91	230/460	22.7	1,30
	1800	256TC	TEFC	<b>CEWDM23934T</b>	5,052	WD	23.57	280	93	230/460	24	1
		256TC	TEFC	<b>CWDM23934T</b>	3,753	WD	23.57	282	91.7	230/460	23	1,30
<b>Three Phase, C-Face, Footless</b>												
1/2	1800	56C	TENV	<b>VWDM3538</b>	546	WD	11.06	30	75.5	230/460	0.8	1,30,60
		56C	TEFC	<b>VFWDM3538</b>	570	WD	11.55	35	69	208-230/460	1.2	1
3/4	1800	56C	TENV	<b>VWDM3542</b>	593	WD	11.06	34	80	230/460	1.1	1,30,60
		56C	TEFC	<b>VFWDM3542</b>	617	WD	11.55	31	75.2	208-230/460	1.5	1
1	1800	56C	TENV	<b>VEWDM3546</b>	870	WD	12.94	45	87.5	230/460	1.4	1,60
		56C	TENV	<b>VWDM3546</b>	635	WD	12.07	39	81.5	208-230/460	1.6	1,60
		143TC	TEFC	<b>VEFWM3546T</b>	900	WD	12.61	39	86.5	230/460	1.4	1
		143TC	TENV	<b>VEWDM3546T</b>	876	WD	13.00	46	87.5	230/460	1.4	1,60
		143TC	TENV	<b>VWDM3546T</b>	653	WD	12.13	38	81.5	208-230/460	1.6	1,60

(a) See notes on inside back flap and pages 5-6.

Single and Three Phase, Totally Enclosed

Hp	RPM	NEMA Frame	Enclosure	Catalog Number	List Price	Mult. Sym.	"C" Dim.	Aprx. Wt. (lb)	Full Load Efficiency	Voltage	Full Load Amps	Notes (a)
<b>Three Phase, C-Face, Footless (continued)</b>												
1 1/2	1800	56C	TENV	VEWDM3554	934	WD	12.94	45	86.5	230/460	2	1,30,60
		56C	TENV	VWDM3554	669	WD	12.94	48	82.5	208-230/460	2.1	1,60
		143TC	TEFC	VEFWDM3554T	966	WD	13.67	45	87.5	230/460	2	1
		145TC	TEFC	VEWDM3554T	941	WD	13.00	48	86.5	230/460	2	1,30
		145TC	TEFC	VWDM3554T	685	WD	13.00	48	82.5	208-230/460	2.1	1
2	1800	56C	TEFC	VEWDM3558	994	WD	14.18	49	86.5	208-230/460	2.7	1
		56C	TEFC	VWDM3558	710	WD	13.24	41	82.5	208-230/460	3.1	1
		145TC	TEFC	VEWDM3558T	1,013	WD	14.18	48	86.5	208-230/460	2.7	1
		145TC	TEFC	VWDM3558T	721	WD	13.30	42	82.5	208-230/460	3.1	1
3	3600	56C	TEFC	VWDM3559	912	WD	13.61	53	88.9	208-230/460	3.7	1
		145TC	TEFC	VWDM3561T	1,177	WD	14.67	63	86.8	208-230/460	4.1	1
	1800	182TC	TEFC	VEWDM3611T	1,274	WD	16.54	69	89.5	208-230/460	4.1	1
		182TC	TEFC	VWDM3611T	949	WD	15.18	54	84	208-230/460	4.1	1
5	1800	184TC	TEFC	VEWDM3615T	1,444	WD	18.05	91	90.2	230/460	6.5	1,30
		184TC	TEFC	VWDM3615T	1,185	WD	16.54	75	85.5	208-230/460	6.6	1
7 1/2	1800	213TC	TEFC	VEWDM3710T	1,931	WD	19.78	122	91.7	230/460	9.4	1,30
		213TC	TEFC	VWDM3710T	1,354	WD	18.63	113	87.5	208-230/460	10.9	1
10	1800	215TC	TEFC	VEWDM3714T	2,075	WD	21.27	155	92.4	208-230/460	12.5	1
		215TC	TEFC	VWDM3714T	1,544	WD	19.78	124	89.5	208-230/460	13.5	1
<b>Three Phase, 575 Volt, C-Face, Foot Mounted</b>												
1/2	1800	56C	TENV	CWDM3538-5	550	WD	11.08	28	78.5	575	0.6	1,60
3/4	1800	56C	TENV	CWDM3542-5	597	WD	11.08	34	80	575	0.9	1,60
1	1800	56C	TENV	CWDM3546-5	640	WD	12.06	34	81	575	1.3	1,60
		56C	TENV	CEWDM3546-5	878	WD	12.94	51	87.5	575	1.1	1,60
1 1/2	1800	145TC	TENV	CWDM3554T-5	692	WD	13.00	46	82.5	575	1.7	1,60
		145TC	TENV	CEWDM3554T-5	939	WD	13.00	48	86.5	575	1.6	1,60
2	1800	145TC	TEFC	CWDM3558T-5	775	WD	13.28	43	84	575	2.2	1
		145TC	TEFC	CEWDM3558T-5	1,034	WD	14.16	50	86.5	575	2.2	1
3	1800	182TC	TEFC	CWDM3611T-5	1,018	WD	16.54	72	87.5	575	3.3	1
		182TC	TEFC	CEWDM3611T-5	1,359	WD	16.54	75	89.5	575	3.1	1
5	1800	184TC	TEFC	CWDM3615T-5	1,151	WD	16.54	78	87.5	575	5.7	1
		184TC	TEFC	CEWDM3615T-5	1,539	WD	18.04	99	90.2	575	5.2	1
7 1/2	1800	213TC	TEFC	CEWDM3710T-5	1,948	WD	19.78	195	91.7	575	8.2	1
10	1800	215TC	TEFC	CEWDM3714T-5	2,215	WD	21.27	162	91.7	575	10.1	1
15	1800	254TC	TEFC	CEWDM23933T-5	4,356	WD	23.57	247	92.4	575	14.8	1
20	1800	256TC	TEFC	CEWDM23934T-5	5,052	WD	23.57	280	93	575	19.2	1
<b>Three Phase, 575 Volt, C-Face, Footless</b>												
1/2	1800	56C	TENV	VWDM3538-5	546	WD	11.08	31	75.5	575	0.6	1,60
3/4	1800	56C	TENV	VWDM3542-5	593	WD	11.06	34	80	575	0.9	1,60
1	1800	56C	TENV	VWDM3546-5	635	WD	12.06	34	81	575	1.3	1,60
1 1/2	1800	145TC	TENV	VWDM3554T-5	685	WD	13.00	55	82.5	575	1.9	1,60
2	1800	145TC	TEFC	VWDM3558T-5	721	WD	13.30	46	84	575	2.2	1

(a) See notes on inside back flap and pages 5-6.

General Information

Premium Efficient Super-E® Motors

Single Phase Motors

General Purpose Industrial Motors

Severe Duty Motors

Washdown Duty Motors

Explosion Proof Motors

Pump Motors

Commercial Motors

HVAC Motors

BALDOR • RELIANCE

**Brake Motor,  
Three Phase,  
Totally Enclosed,  
C-Face,  
Foot Mounted**

1/2 thru 5 Hp

NEMA 56C thru 184TC

**Applications:** Food processing and other applications where motors receive washdown on a regular basis.

**Features:** Class F insulated motor with 1.15 service factor or higher that operates within class “B” temperature limits at rated horsepower. Standard NEMA BA dimension, 300 series stainless steel hardware, moisture sealant on bolt heads, between frame and end plates. Neoprene gaskets. Spring-set brake internally connected to the motor. Power off manual release. Resets automatically. Motors have NEMA Premium® Efficiency and are inverter-ready. 230/460V brakes are connected in conduit box allowing for separate connection when used with an inverter.



Hp	RPM	NEMA Frame	Enclosure	Catalog Number	List Price	Mult. Sym.	“C” Dim.	Aprx. Wt. (lb)	Full Load Efficiency	Voltage	Full Load Amps	Brake Rating	Notes (a)
1/2	1800	56C	TENV	CEWDBM3538	1,671	WD	15.31	42	82.5	230/460	0.8	3	1
3/4	1800	56C	TENV	CEWDBM3542	1,806	WD	15.31	43	82.5	230/460	1.1	6	1
1	1800	56C	TENV	CEWDBM3546	1,854	WD	16.31	52	86.5	208-230/460	1.4	6	1
		143TC	TENV	CEWDBM3546T	1,873	WD	16.81	51	86.5	208-230/460	1.4	6	1
1 1/2	1800	145TC	TENV	CEWDBM3554T	2,018	WD	18.14	58	86.5	230/460	2	10	1,30
2	1800	145TC	TEFC	CEWDBM3558T	2,053	WD	19.44	57	86.5	208-230/460	2.7	10	1
3	1800	182TC	TEFC	CEWDBM3611T	2,484	WD	15.56	89	89.5	208-230/460	4.1	15	1
5	1800	184TC	TEFC	CEWDBM3615T	3,001	WD	17.06	111	90.2	230/460	6.5	25	1,30

(a) See notes on inside back flap and pages 5-6.

Efficiencies shown are nominal. Data subject to change without notice. Contact Baldor for certified data.

**Feather Picker Motor,  
Three Phase, TEFC**

2 thru 3 Hp

NEMA 145T

**Applications:** Poultry processing plants. Designed for use on equipment used to remove feathers from poultry.

**Features:** Class F insulated motor with 1.15 service factor or higher that operates within class “B” temperature limits at rated horsepower. Moisture resistant ISR® (Inverter Spike Resistant®) 200°C magnet wire. Top mounted F3 conduit box. Sealed ball bearings with moisture-resistant grease. Tropicalized.



Hp	RPM	NEMA Frame	Catalog Number	List Price	Mult. Sym.	“C” Dim.	Aprx. Wt. (lb)	Full Load Efficiency	Voltage	Full Load Amps	Notes (a)
2	1800	145T	WDM3558TP	805	WD	12.79	42	84	208-230/460	2.9	1
3	1800	145T	WDM3561TP	1,016	WD	15.04	63	87.5	208-230/460	4.1	1

(a) See notes on inside back flap and pages 5-6.

General Information

Premium Efficient Super-E® Motors

Single Phase Motors

General Purpose Industrial Motors

Severe Duty Motors

Washdown Duty Motors

Explosion Proof Motors

Pump Motors

Commercial Motors

HVAC Motors

**Paint-Free,  
Three Phase,  
Totally Enclosed,  
C-Face**

**1/2 thru 10 Hp**

**NEMA 56C thru 215TC**

**Applications:** Food processing, packaging and outdoor applications.



**Features:** Moisture resistant ISR® (Inverter Spike Resistant®) 200°C magnet wire. Sealed ball bearings with moisture-resistant grease. Rotating non-contact labyrinth seal on output shaft extension and contact lip seals on fan shaft extension. Neoprene gaskets. Special processed cast endplates. 300 series stainless steel motor frame, base, shaft and hardware. No exterior paint. Tropicalized. CESWDM and VESWDM Super-E® motors have NEMA Premium® efficiency and 3 year warranty.

Hp	RPM	NEMA Frame	Enclosure	Catalog Number	List Price	Mult. Sym.	"C" Dim.	Aprx. Wt. (lb)	Voltage	Full Load Amps	Notes (a)
<b>Foot Mounted</b>											
1/2	1800	56C	TENV	<b>CSWDM3538</b>	601	WD	11.07	30	230/460	0.8	1,30,60
3/4	1800	56C	TENV	<b>CSWDM3542</b>	694	WD	11.07	31	230/460	1.1	1,30,60
1	1800	56C	TENV	<b>CESWDM3546</b>	968	WD	12.07	37	208-230/460	1.4	1,60
		56C	TENV	<b>CSWDM3546</b>	719	WD	12.07	39	208-230/460	1.6	1,60
		143TC	TENV	<b>CSWDM3546T</b>	719	WD	12.12	41	208-230/460	1.6	1,60
1 1/2	1800	56C	TENV	<b>CSWDM3554</b>	752	WD	14.32	52	208-230/460	2	1,60
		145TC	TENV	<b>CESWDM3554T</b>	1,014	WD	13.00	47	230/460	2	1,30,60
		145TC	TENV	<b>CSWDM3554T</b>	752	WD	13.00	49	208-230/460	2.1	1,60
2	1800	56C	TEFC	<b>CSWDM3558</b>	926	WD	13.24	42	230/460	2.8	1
		145TC	TEFC	<b>CESWDM3558T</b>	1,245	WD	14.18	55	230/460	2.7	1
		145TC	TEFC	<b>CSWDM3558T</b>	926	WD	13.30	48	230/460	2.8	1
3	1800	182TC	TEFC	<b>CESWDM3611T</b>	1,523	WD	16.56	75	208-230/460	4	1
		182TC	TEFC	<b>CSWDM3611T</b>	1,132	WD	16.56	72	208-230/460	4.1	1
5	1800	184TC	TEFC	<b>CESWDM3615T</b>	1,773	WD	18.06	92	208-230/460	6.4	1
		184TC	TEFC	<b>CSWDM3615T</b>	1,318	WD	18.06	93	208-230/460	6.5	1
7 1/2	1800	213TC	TEFC	<b>CESWDM3710T</b>	2,180	WD	19.81	146	230/460	9.5	1
		213TC	TEFC	<b>CSWDM3710T</b>	1,621	WD	19.81	138	208-230/460	9.4	1
10	1800	215TC	TEFC	<b>CESWDM3714T</b>	2,481	WD	21.31	168	230/460	12.5	1
		215TC	TEFC	<b>CSWDM3714T</b>	1,845	WD	21.31	160	208-230/460	12.4	1
<b>Footless</b>											
1/2	1800	56C	TENV	<b>VSWDM3538</b>	595	WD	11.07	29	230/460	0.8	1,30,60
3/4	1800	56C	TENV	<b>VSWDM3542</b>	688	WD	11.07	33	230/460	1.1	1,30,60
1	1800	56C	TENV	<b>VESWDM3546</b>	921	WD	12.07	39	208-230/460	1.4	1,60
		56C	TENV	<b>VSWDM3546</b>	714	WD	12.07	38	208-230/460	1.6	1,60
		143TC	TENV	<b>VSWDM3546T</b>	714	WD	12.12	37	208-230/460	1.6	1,60
1 1/2	1800	56C	TENV	<b>VESWDM3554</b>	1,004	WD	12.95	47	230/460	2	1,30,60
		56C	TENV	<b>VSWDM3554</b>	748	WD	12.95	47	208-230/460	2.1	1,60
		145TC	TENV	<b>VESWDM3554T</b>	1,004	WD	13.00	47	230/460	2	1,30,60
2	1800	145TC	TEFC	<b>VESWDM3558T</b>	1,146	WD	14.19	50	208-230/460	2.7	1
		145TC	TEFC	<b>VSWDM3558T</b>	851	WD	13.31	41	208-230/460	3.1	1

(a) See notes on inside back flap and pages 5-6.

General Information

Premium Efficient Super-E® Motors

Single Phase Motors

General Purpose Industrial Motors

Severe Duty Motors

Washdown Duty Motors

Explosion Proof Motors

Pump Motors

Commercial Motors

HVAC Motors

# Super-E Stainless Steel, Three Phase, Totally Enclosed, C-Face

1/2 thru 10 Hp

NEMA 56C thru 215TC

**Applications:** Food processing, packaging, outdoor and highly corrosive environments.

**Features:** Class F insulated motor with 1.15 service factor or higher that operates within class "B" temperature limits at rated horsepower. All external surfaces 300 series stainless steel: motor frame, endplates, conduit box, shaft and base. Moisture resistant 200°C ISR® magnet wire. Hydrophobic aspiration system eliminates condensation from inside the motor. Endplate rabbets have O-ring seals to band. Conduit box is welded to the motor frame. Patented bearing seal to protect motor bearings, inside and out. Epoxy encapsulation prevents any moisture from reaching the windings as well as potting the passage between the band and the conduit box. Nameplate information is laser etched on the band. Catalog numbers also etched on both sides. Especially effective in highly corrosive environments where paint or other finishes do not hold up. NEMA Premium® efficiency and 3-year warranty.



Hp	RPM	NEMA Frame	Enclosure	Catalog Number	List Price	Mult. Sym.	"C" Dim.	Aprx. Wt. (lb)	Full Load Efficiency	Voltage	Full Load Amps	Notes (a)
<b>Foot Mounted</b>												
1/2	3600	56C	TENV	<b>CSSEWDM3537</b>	1,154	WD	11.71	47	84	208-230/460	0.7	1,60,77
	1800	56C	TENV	<b>CSSEWDM3538</b>	1,173	WD	11.71	47	81.5	208-230/460	0.75	1,60,77
3/4	3600	56C	TENV	<b>CSSEWDM3541</b>	1,195	WD	11.71	51	86.5	208-230/460	1	1,60,77
	1800	56C	TENV	<b>CSSEWDM3542</b>	1,213	WD	12.71	55	84	208-230/460	1	1,60,77
1	3600	56C	TENV	<b>CSSEWDM3545</b>	1,256	WD	12.71	54	82.5	208-230/460	1.4	1,60,77
	1800	56C	TENV	<b>CSSEWDM3546</b>	1,268	WD	12.71	54	87.5	208-230/460	1.4	1,60,77
		143TC	TENV	<b>CSSEWDM3546T</b>	1,280	WD	12.77	56	87.5	208-230/460	1.4	1,60,77
1 1/2	3600	56C	TENV	<b>CSSEWDM3550</b>	1,273	WD	13.59	62	85.5	208-230/460	1.8	1,60,77
		145TC	TENV	<b>CSSEWDM3550T</b>	1,283	WD	13.65	64	85.5	208-230/460	1.8	1,60,77
	1800	56C	TEFC	<b>CSSEWDM3554</b>	1,279	WD	14.77	61	88.5	208-230/460	2.1	1,77
		145TC	TEFC	<b>CSSEWDM3554T</b>	1,291	WD	14.81	62	88.5	208-230/460	2.1	1,77
2	3600	145TC	TEFC	<b>CSSEWDM3555T</b>	1,540	WD	14.81	71	86.5	208-230/460	2.5	1,77
	1800	56C	TEFC	<b>CSSEWDM3558</b>	1,553	WD	14.77	61	85.5	208-230/460	2.8	1,77
		145TC	TEFC	<b>CSSEWDM3558T</b>	1,563	WD	14.83	61	85.5	208-230/460	2.8	1,77
3	3600	145TC	TEFC	<b>CSSEWDM3559T</b>	1,875	WD	16.19	79	86.5	208-230/460	3.7	1,77
	1800	182TC	TEFC	<b>CSSEWDM3611T</b>	1,888	WD	17.75	101	89.5	208-230/460	4	1,77
5	3600	184TC	TEFC	<b>CSSEWDM3613T</b>	2,050	WD	17.75	107	89.5	208-230/460	5.6	1,77
	1800	184TC	TEFC	<b>CSSEWDM3615T</b>	2,066	WD	19.25	123	90.2	208-230/460	6.4	1,77
7 1/2	3600	213TC	TEFC	<b>CSSEWDM3709T</b>	2,389	WD	20.43	178	91	208-230/460	8.3	1,77
	1800	213TC	TEFC	<b>CSSEWDM3710T</b>	2,439	WD	21.62	182	91.7	230/460	9.5	1,30,77
10	3600	215TC	TEFC	<b>CSSEWDM3711T</b>	2,713	WD	21.62	154	91.7	208-230/460	10.6	1,77
	1800	215TC	TEFC	<b>CSSEWDM3714T</b>	2,877	WD	23.06	187	92.4	208-230/460	12.5	1,77
<b>Footless</b>												
1/2	3600	56C	TENV	<b>VSSEWDM3537</b>	1,132	WD	11.71	46	84	208-230/460	0.7	1,60,77
	1800	56C	TENV	<b>VSSEWDM3538</b>	1,151	WD	11.71	47	81.5	208-230/460	0.75	1,60,77
3/4	3600	56C	TENV	<b>VSSEWDM3541</b>	1,173	WD	11.71	50	86.5	208-230/460	1	1,60,77
	1800	56C	TENV	<b>VSSEWDM3542</b>	1,191	WD	12.71	54	84	208-230/460	1	1,60,77
1	3600	56C	TENV	<b>VSSEWDM3545</b>	1,233	WD	12.71	53	82.5	208-230/460	1.4	1,60,77
	1800	56C	TENV	<b>VSSEWDM3546</b>	1,246	WD	12.71	54	87.5	208-230/460	1.4	1,60,77
		143TC	TENV	<b>VSSEWDM3546T</b>	1,258	WD	12.77	54	87.5	208-230/460	1.4	1,60,77
1 1/2	3600	56C	TENV	<b>VSSEWDM3550</b>	1,250	WD	13.59	62	85.5	208-230/460	1.8	1,60,77
		145TC	TENV	<b>VSSEWDM3550T</b>	1,261	WD	13.65	63	85.5	208-230/460	1.8	1,60,77
	1800	56C	TEFC	<b>VSSEWDM3554</b>	1,257	WD	14.77	61	88.5	208-230/460	2.1	1,77
		145TC	TEFC	<b>VSSEWDM3554T</b>	1,268	WD	14.83	61	88.5	208-230/460	2.1	1,77
2	3600	145TC	TEFC	<b>VSSEWDM3555T</b>	1,519	WD	14.83	65	86.5	208-230/460	2.5	1,77
	1800	56C	TEFC	<b>VSSEWDM3558</b>	1,531	WD	14.77	61	85.5	208-230/460	2.8	1,77
		145TC	TEFC	<b>VSSEWDM3558T</b>	1,541	WD	14.83	61	85.5	208-230/460	2.8	1,77

(a) See notes on inside back flap and pages 5-6.



**Standard-E & Super-E  
Stainless Steel,  
Three Phase,  
Totally Enclosed,  
C-Face**

**1/2 thru 20 Hp**

**NEMA 56C thru 256TC**

**Applications:** Food processing, packaging, outdoor and highly corrosive environments.

**Features:** All external surfaces 300 series stainless steel: motor frame, endplates, conduit box, shaft and base. Moisture resistant 200°C ISR® magnet wire. Four condensate drains in each endplate. Endplate rabbets sealed and conduit box gasketed. Labyrinth seals each end. Especially effective in highly corrosive environments where paint or other finishes do not hold up. CESSWDM Super-E® motors have NEMA Premium® efficiency and 3 year warranty. See page 82 for 1/2-10 Hp Super-E® all stainless motors.



Hp	RPM	NEMA Frame	Enclosure	Catalog Number	List Price	Mult. Sym.	"C" Dim.	Aprx. Wt. (lb)	Full Load Efficiency	Voltage	Full Load Amps	Notes (a)
<b>Foot Mounted</b>												
1/2	3600	56C	TENV	CSSWDM3537	1,047	WD	11.09	34	70	208-230/460	0.9	1,60
	1800	56C	TENV	CSSWDM3538	1,125	WD	11.09	37	75.5	230/460	0.8	1,30,60
3/4	3600	56C	TENV	CSSWDM3541	1,083	WD	11.09	40	80	230/460	1.1	1,30,60
	1800	56C	TENV	CSSWDM3542	1,164	WD	12.09	44	78.5	208-230/460	1	1,60
1	3600	56C	TENV	CSSWDM3545	1,188	WD	11.09	39	82.5	230/460	1.3	1,60
	1800	56C	TENV	CSSWDM3546	1,196	WD	12.09	45	85.5	208-230/460	1.4	1,60
1 1/2	3600	56C	TENV	CSSWDM3550	1,202	WD	12.09	50	85.5	230/460	2	1,60
	1800	56C	TEFC	CSSWDM3554	1,222	WD	13.34	53	85.5	208-230/460	2.1	1
		145TC	TEFC	CSSWDM3554T	1,222	WD	13.42	53	85.5	208-230/460	2.1	1
2	3600	145TC	TEFC	CSSWDM3555T	1,471	WD	14.30	59	84	208-230/460	2.6	1
	1800	56C	TEFC	CSSWDM3558	1,486	WD	13.34	55	84	230/460	2.8	1
		145TC	TEFC	CSSWDM3558T	1,486	WD	13.42	56	84	230/460	2.8	1
3	3600	145TC	TEFC	CSSWDM3559T	1,769	WD	14.30	61	85.5	230/460	3.7	1
		182TC	TEFC	CSSWDM3610T	1,838	WD	15.61	89	85.1	208-230/460	3.7	1
	1800	182TC	TEFC	CESSWDM3611T	1,799	WD	16.82	91	89.5	230/460	4	1
		182TC	TEFC	CSSWDM3611T	1,698	WD	16.82	89	87.5	208-230/460	4.5	1
5	3600	184TC	TEFC	CESSWDM3613T	2,093	WD	18.32	103	90.2	230/460	5.7	1
		184TC	TEFC	CSSWDM3613T	1,935	WD	16.82	95	87.5	208-230/460	5.7	1
	1800	184TC	TEFC	CESSWDM3615T	2,025	WD	18.32	115	90.2	230/460	6.4	1,30
		184TC	TEFC	CSSWDM3615T	1,950	WD	18.32	109	87.5	208-230/460	6.5	1
7 1/2	3600	213TC	TEFC	CESSWDM3709T	2,456	WD	19.03	164	91	230/460	8.3	1
		213TC	TEFC	CSSWDM3709T	2,254	WD	19.03	157	88.5	208-230/460	8.9	1
	1800	213TC	TEFC	CESSWDM3710T	2,533	WD	20.16	157	91.7	230/460	9.5	1
		213TC	TEFC	CSSWDM3710T	2,302	WD	20.16	152	89.5	208-230/460	9.7	1
10	3600	215TC	TEFC	CESSWDM3711T	2,741	WD	20.16	185	91.7	208-230/460	10.6	1
		215TC	TEFC	CSSWDM3711T	2,559	WD	20.16	174	89.5	208-230/460	11.9	1
	1800	215TC	TEFC	CSSWDM3714T	2,600	WD	21.66	187	89.5	208-230/460	12.4	1,20
		215TC	TEFC	CESSWDM3714T	2,794	WD	21.66	158	92.4	230/460	12.5	1
15	3600	254TC	TEFC	CESSWDM23994T	5,595	WD	21.94	240	91.7	230/460	17.6	1
	1800	254TC	TEFC	CESSWDM23933T	5,506	WD	23.57	246	92.4	230/460	18	1,30
20	3600	256TC	TEFC	CESSWDM41906T	6,422	WD	23.57	292	91	230/460	23	1
	1800	256TC	TEFC	CESSWDM23934T	6,386	WD	23.57	300	93	230/460	24	1,30

(a) See notes on inside back flap and pages 5-6.

General Information

Premium Efficient Super-E® Motors

Single Phase Motors

General Purpose Industrial Motors

Severe Duty Motors

Washdown Duty Motors

Explosion Proof Motors

Pump Motors

Commercial Motors

HVAC Motors

**Standard-E & Super-E Stainless Steel, Three Phase, Totally Enclosed, C-Face**

Hp	RPM	NEMA Frame	Enclosure	Catalog Number	List Price	Mult. Sym.	"C" Dim.	Aprx. Wt. (lb)	Full Load Efficiency	Voltage	Full Load Amps	Notes (a)
<b>Footless</b>												
1/2	3600	56C	TENV	VSSWDM3537	1,023	WD	11.09	34	70	208-230/460	0.9	1,60
	1800	56C	TENV	VSSWDM3538	1,101	WD	11.09	37	75.5	230/460	0.8	1,30,60
		56C	TEFC	VSSFWDM3538	1,164	WD	12.88	35	84.3	208-230/460	0.8	1
3/4	3600	56C	TENV	VSSWDM3541	1,062	WD	11.09	40	80	230/460	1.1	1,30,60
	1800	56C	TENV	VSSWDM3542	1,141	WD	12.09	44	78.5	208-230/460	1	1,60
		56C	TEFC	VSSFWDM3542	1,202	WD	12.88	39	82.5	208-230/460	1	1
1	3600	56C	TENV	VSSWDM3545	1,164	WD	11.09	38	82.5	230/460	1.3	1,60
	1800	56C	TENV	VSSWDM3546	1,173	WD	12.09	47	85.5	208-230/460	1.4	1,60
		56C	TEFC	VSSFWDM3546	1,234	WD	14.94	39	86.5	208-230/460	1.4	1
1 1/2	3600	56C	TENV	VSSWDM3550	1,179	WD	12.09	49	85.5	230/460	2	1,60
	1800	145TC	TEFC	VSSWDM3554T	1,198	WD	13.42	51	85.5	208-230/460	2.1	1
2	3600	145TC	TEFC	VSSWDM3555T	1,447	WD	14.30	57	84	208-230/460	2.6	1
	1800	145TC	TEFC	VSSWDM3558T	1,463	WD	13.42	52	84	230/460	2.8	1
3	3600	145TC	TEFC	VSSWDM3559T	1,745	WD	14.30	57	85.5	230/460	3.7	1
	1800	182TC	TEFC	VSSWDM3611T	1,659	WD	16.82	86	87.5	208-230/460	4.5	1
5	3600	184TC	TEFC	VSSWDM3613T	1,897	WD	16.82	92	87.5	208-230/460	5.7	1
	1800	184TC	TEFC	VSSWDM3615T	1,911	WD	18.32	108	87.5	208-230/460	6.5	1

(a) See notes on inside back flap and pages 5-6.

**SSE Stainless, Three Phase, Totally Enclosed, C-Face, 50Hz**

**0.37 thru 1.5 kW**

**IEC D80D thru D90C**

**Applications:** Food processing, packaging, outdoor and highly corrosive environments.

**Features:** Class F insulated motor with 1.15 service factor or higher that operates within class "B" temperature limits at rated horsepower. All external surfaces 300 series stainless steel: motor frame, endplates, conduit box, shaft and base. Moisture resistant 200°C ISR® magnet wire. Hydrophobic aspiration system eliminates condensation from inside the motor. Endplate rabbets have O-ring seals to band. Conduit box is welded to the motor frame. Patented bearing seal to protect motor bearings, inside and out. Epoxy encapsulation prevents any moisture from reaching the windings as well as potting the passage between the band and the conduit box. Nameplate information is laser etched on the band. Catalog numbers also etched on both sides. Especially effective in highly corrosive environments where paint or other finishes do not hold up. NEMA Premium® efficiency and 3-year warranty.



kW/HP	RPM	IEC Frame	Enclosure	Catalog Number	List Price	Mult. Sym.	"C" Dim.	Aprx. Wt. (lb)	Full Load Efficiency	Voltage (a)	Full Load Amps (b)	Notes (c)
<b>B14, C-Face, Foot Mounted</b>												
1.1/1.5	1500	D90C	TEFC	CSSEWDM90114C-57	1,485	WD	14.36	24	88.5	240/380-415	2.5	1
1.5/2	1500	D90C	TEFC	CSSEWDM90154C-57	1,798	WD	15.74	25	88.5	240/380-415	3.2	1
<b>B5, Flange, Footless</b>												
0.37/0.5	1500	D80D	TENV	VSSEWDM80044D-57	1,324	WD	10.92	46	80	240/380-415	0.8	1,60
0.55/0.75	1500	D80D	TENV	VSSEWDM80064D-57	1,370	WD	11.92	51	81.5	240/380-415	1.2	1,60
0.75/1	1500	D80D	TENV	VSSEWDM80084D-57	1,447	WD	—	54	75.5	240/380-415	1.9	1,60
1.1/1.5	1500	D90D	TEFC	VSSEWDM90114D-57	1,459	WD	—	61	85.9	240/380-415	2.3	1
1.5/2	1500	D90D	TEFC	VSSEWDM90154D-57	1,773	WD	—	61	87	240/380-415	3.1	1

(a) Voltage @ 50 Hz, usable on 460 Volt 60 Hz.

(b) Full load amps @ 400 volt nominal - 50 Hz.

(c) See notes on inside back flap and pages 5-6.

Above data subject to revision without notice.

**Inverter Motor,  
Paint Free,  
Three Phase,  
Totally Enclosed,  
C-Face**

**1/2 thru 10 Hp**

**NEMA 56C thru 215TC**

**Applications:** Conveyors, pumps and other equipment in food processing and severe environments where motors receive washdown on a regular basis.

**Features:** Includes all the advantages of our standard “Paint Free” washdown duty motors. Specifically designed and built for use on adjustable speed drives. For adjustable speed applications not requiring full torque at zero speed. Not encoder adaptable. 1.00 Service Factor. Class “H” insulated.



Hp	RPM	Max. RPM	NEMA Frame	Enclosure	Catalog Number	List Price	Mult. Sym.	“C” Dim.	Aprx. Wt. (lb)	Full Load Efficiency	Voltage	Full Load Amps	Notes (a)
<b>C-Face, Foot Mounted</b>													
1/2	1800	6000	56C	TENV	<b>IDCSWDM3538</b>	1,305	E2	11.07	29	82.5	230/460	0.8	2,8,60,77
3/4	1800	6000	56C	TENV	<b>IDCSWDM3542</b>	1,478	E2	12.07	36	78.5	230/460	1	2,8,60,77
1	1800	3600	56C	TENV	<b>IDCSWDM3546</b>	1,535	E2	12.07	39	85.5	208-230/460	1.4	2,8,60,77
			143TC	TENV	<b>IDCSWDM3546T</b>	1,535	E2	12.12	39	85.5	208-230/460	1.4	2,8,60,77
1 1/2	1800	4000	56C	TEFC	<b>IDCSWDM3554</b>	1,642	E2	13.30	45	87.5	230/460	2.1	2,8,60,77
			145TC	TEFC	<b>IDCSWDM3554T</b>	1,642	E2	13.30	44	87.5	230/460	2.1	2,8,60,77
2	1800	3600	56C	TEFC	<b>IDCSWDM3558</b>	1,753	E2	14.12	47	86.5	230/460	2.5	2,8,60,77
			145TC	TEFC	<b>IDCSWDM3558T</b>	1,753	E2	14.18	52	86.5	230/460	2.5	2,8,60,77
3	1800	6000	182TC	TEFC	<b>IDCSWDM3611T</b>	1,923	E2	16.56	74	89.5	230/460	4	2,8,60,77
5	1800	6000	184TC	TEFC	<b>IDCSWDM3615T</b>	2,238	E2	18.06	93	90.2	230/460	6.4	2,8,60,77
7 1/2	1800	6000	213TC	TEFC	<b>IDCSWDM3710T</b>	3,389	E2	19.81	140	91.7	230/460	9.5	2,8,60,77
10	1800	6000	215TC	TEFC	<b>IDCSWDM3714T</b>	3,875	E2	21.31	187	92.4	230/460	12.5	2,8,60,77
<b>C-Face, Footless</b>													
1/2	1800	6000	56C	TENV	<b>IDVSWDM3538</b>	1,295	E2	11.07	29	82.5	230/460	0.8	2,8,60,77
3/4	1800	6000	56C	TENV	<b>IDVSWDM3542</b>	1,472	E2	12.07	36	78.5	230/460	1	2,8,60,77
1	1800	3600	56C	TENV	<b>IDVSWDM3546</b>	1,527	E2	12.07	39	85.5	208-230/460	1.4	2,8,60,77
			143TC	TENV	<b>IDVSWDM3546T</b>	1,527	E2	12.12	39	85.5	208-230/460	1.4	2,8,60,77
1 1/2	1800	4000	56C	TEFC	<b>IDVSWDM3554</b>	1,633	E2	13.24	42	87.5	230/460	2.1	2,8,60,77
			145TC	TEFC	<b>IDVSWDM3554T</b>	1,633	E2	13.30	43	87.5	230/460	2.1	2,8,60,77
2	1800	3600	56C	TEFC	<b>IDVSWDM3558</b>	1,739	E2	14.12	49	86.5	230/460	2.5	2,8,60,77
			145TC	TEFC	<b>IDVSWDM3558T</b>	1,739	E2	14.18	49	86.5	230/460	2.5	2,8,60,77
3	1800	6000	182TC	TEFC	<b>IDVSWDM3611T</b>	1,829	E2	16.56	73	89.5	230/460	4	2,8,60,77
5	1800	6000	184TC	TEFC	<b>IDVSWDM3615T</b>	2,132	E2	18.06	101	90.2	230/460	6.4	2,8,60,77

(a) See notes on inside back flap and pages 5-6.

General Information

Premium Efficient Super-E® Motors

Single Phase Motors

General Purpose Industrial Motors

Severe Duty Motors

Washdown Duty Motors

Explosion Proof Motors

Pump Motors

Commercial Motors

HVAC Motors

BALDOR • RELIANCE

**Inverter Motor,  
Three Phase,  
TENV, C-Face,  
Foot Mounted**

1000:1 CONSTANT TORQUE SPEED RANGE

1 thru 10 Hp

NEMA 143TC thru 254TC

**Applications:** Conveyors, pumps and other equipment in food processing and other wet environments.

**Features:** Designed for inverter or vector applications where up to a 1000:1 constant torque speed range is required. Provisions for mounting optional HS25 encoder feedback devices shown on page 210 for use in closed loop velocity or position control. Meets NEMA MG 1, Part 31. 1.00 Service Factor. Class "H" insulated.



Hp	RPM	Max. RPM	NEMA Frame	Catalog Number	List Price	Mult. Sym.	"C" Dim.	Aprx. Wt. (lb)	Full Load Efficiency	Voltage	Full Load Amps	Notes (a)
1	1800	6000	143TC	IDWNM3546T	1,305	E2	14.90	39	86.5	230/460	1.4	2,8,60,77
1 1/2	1800	6000	145TC	IDWNM3554T	1,438	E2	15.78	50	87.5	230/460	2.1	2,8,60,77
2	1800	6000	182TC	IDWNM3609T	1,584	E2	17.77	69	84	230/460	2.9	2,8,60,77
3	1800	6000	184TC	IDWNM3611T	1,726	E2	17.77	80	88.5	230/460	4	2,8,60,77
5	1800	6000	213TC	IDWNM3707T	1,953	E2	19.84	119	89.5	230/460	6.7	2,8,60,77
7 1/2	1800	5000	254TC	IDWNM22937T	3,026	E2	23.92	242	91	230/460	9.1	2,8,60,77
10	1800	5000	254TC	IDWNM22938T	3,544	E2	23.92	291	91.7	230/460	12	2,8,60,77

(a) See notes on inside back flap and pages 5-6.

**Vector Motor,  
Three Phase,  
TENV, C-Face,  
Foot Mounted**

1000:1 CONSTANT TORQUE SPEED RANGE

1 thru 10 Hp

NEMA 143TC thru 254TC

**Applications:** Material handling, packaging equipment in food processing and other wet environments.

**Features:** Designed for inverter or vector applications where up to a 1000:1 constant torque speed range is required. Motors include 1024 PPR HS25 encoder feedback with MS connector. Meets NEMA MG 1, Part 31. 1.00 Service Factor. Class "H" insulated.



Hp	RPM	Max. RPM	NEMA Frame	Catalog Number	List Price	Mult. Sym.	"C" Dim.	Aprx. Wt. (lb)	Full Load Efficiency	Voltage	Full Load Amps	Notes (a)
1	1800	6000	143TC	ZDWNM3546T	2,616	E2	14.90	42	86.5	230/460	1.4	2,8,46,60,77
1 1/2	1800	6000	145TC	ZDWNM3554T	2,749	E2	15.78	51	87.5	230/460	2.1	2,8,46,60,77
2	1800	6000	182TC	ZDWNM3609T	2,895	E2	17.77	71	84	230/460	2.9	2,8,46,60,77
3	1800	6000	184TC	ZDWNM3611T	3,039	E2	17.77	79	88.5	230/460	4	2,8,46,60,77
5	1800	6000	213TC	ZDWNM3707T	3,266	E2	19.84	125	89.5	230/460	6.7	2,8,46,60,77
7 1/2	1800	5000	254TC	ZDWNM22937T	4,339	E2	23.92	240	91	230/460	9.1	2,8,46,60,77
10	1800	5000	254TC	ZDWNM22938T	4,857	E2	23.92	292	91.7	230/460	12	2,8,46,60,77

(a) See notes on inside back flap and pages 5-6.

General Information

Premium Efficient Super-E@ Motors

Single Phase Motors

General Purpose Industrial Motors

Severe Duty Motors

Washdown Duty Motors

Explosion Proof Motors

Pump Motors

Commercial Motors

HVAC Motors

Single and Three Phase, Foot Mounted

1/4 thru 300 Hp

NEMA 48 thru 449TY

**Applications:** Ideal for use where hazardous fumes or dust may be present.



**Features:** U.L. and CSA approved for Class I, Group D and Class I, Group C & D and Class II, Group F & G. Check number in circle beside catalog number for individual listings. Corrosion resistant epoxy finish. Shipped with U.L. and CSA approved cast conduit box assembled to each motor. 1.00 Service Factor. EM Super-E® explosion proof motors have NEMA Premium® efficiency and 3 year warranty.

Hp	RPM	NEMA Frame	Catalog Number	XP <sup>(a)</sup> Cls/Grp	List Price	Mult. Sym.	"C" Dim.	Aprx. Wt. (lb)	Full Load Efficiency	Voltage	Full Load Amps	Notes <sup>(b)</sup>
<b>Single Phase</b>												
1/4	1800	48	L4003A	⑧	465	K	12.85	27	55	115/208-230	2.5	2
		56	L5000A	⑧	444	K	13.22	27	62	115/230	2.1	2
		56	L5000A-C	④	553	K	13.22	29	55	115/208-230	2.1	2
1/3	3600	48	L4005A	⑧	412	K	12.85	28	55	115/230	3	2
	1800	48	L4006A	⑧	599	K	12.85	29	60	115/208-230	3	2
		56	L5001A	⑧	571	K	13.22	29	60	115/208-230	3	2
1/2	3600	56	L5002A	⑦	809	K	14.30	41	54	115/230	3.4	2
		56	L5003A	⑧	541	K	13.22	30	57	115/230	3.7	2
		48	L4009A	⑧	660	K	13.85	36	64	115/208-230	3.7	2
	1800	56	L5004A	⑧	629	K	14.22	35	64	115/208-230	3.7	2
		56	L5004A-C	④	738	K	14.22	36	64	115/208-230	3.7	2
1200	56	L5005A	⑦	932	K	15.17	50	59	115/230	4	2	
3/4	3600	56	L5006A	⑦	611	K	14.30	40	62	115/230	4.9	2
	1800	56	L5007A	⑦	740	K	15.17	48	66	115/230	5.3	2
		56	L5007A-C	②	848	K	15.17	48	66	115/230	5.3	2
	1200	56	L5022	①	1,077	K	16.04	57	59.5	115/230	5.7	2
1	3600	56	L5009A	⑦	660	K	15.17	48	66	115/230	6	2
		56	L5023A	①	842	K	15.17	45	67	115/230	6.5	2
		56	L5023A-C	②	950	K	15.17	45	67	115/230	6.5	2
	143T	L5023T	①	825	L1	15.23	48	67	115/208-230	6.4	2	
1200	184	L5026	⑧	1,846	L1	16.92	79	67	115/208-230	7	2	
1 1/2	3600	143T	L5030T	⑧	956	L1	15.23	53	70	115/208-230	7.5	2
	1800	184	L5013	⑧	1,714	L1	16.92	75	70	115/230	9.5	2
2	3600	145T	L5031T	⑧	1,182	L1	16.11	60	74	115/208-230	11.5	2
	1800	182T	L5027T	①	1,737	L1	17.42	81	75	115/230	11	2
3	3600	184T	L5028T	①	1,805	L1	17.42	81	76	115/230	14.5	2
	1800	215	L5018	⑧	2,743	L1	19.49	152	79	115/230	15	2
5	1800	215	L5020	①	3,489	L1	19.90	171	84	230	21	2
<b>Three Phase</b>												
1/4	1800	48	M6002A	⑧	484	K	12.85	26	63	208-230/460	0.65	2
1/3	1800	56	M7002A	⑧	581	K	13.22	28	67	208-230/460	0.8	2
	1200	56	M7003A	⑦	834	K	14.30	34	70	208-230/460	0.8	2
1/2	3600	56	M7005A	⑧	666	K	13.22	27	68	208-230/460	1.1	2
	1800	48	M6007A	⑧	605	K	12.85	29	74	208-230/460	1	2
		56	M7006A	⑧	605	K	13.22	30	74	208-230/460	1	2
	1200	56	M7007A	⑦	881	K	14.30	39	70	208-230/460	1.2	2
3/4	3600	56	M7009A	⑧	694	K	13.22	29	75	208-230/460	1.3	2
	1800	56	M7010A	⑧	697	K	14.22	34	73	208-230/460	1.5	2
		56	M7031A	⑦	936	K	15.17	44	77	208-230/460	1.4	2
	1200	143T	M7031TA	⑦	936	L1	15.23	47	77	208-230/460	1.4	2

(a) See explosion proof symbols on inside back flap.

(b) See notes on inside back flap and pages 5-6.

General Information

Premium Efficient Super-E® Motors

Single Phase Motors

General Purpose Industrial Motors

Severe Duty Motors

Washdown Duty Motors

Explosion Proof Motors

Pump Motors

Commercial Motors

HVAC Motors



Single and Three Phase, Foot Mounted

Hp	RPM	NEMA Frame	Catalog Number	XP (a) Cls/Grp	List Price	Mult. Sym.	"C" Dim.	Aprx. Wt. (lb)	Full Load Efficiency	Voltage	Full Load Amps	Notes (b)
<b>Three Phase (continued)</b>												
1	3600	56	M7013	⑧	731	K	13.22	31	75.5	208-230/460	1.8	2
		56	M7014	⑧	763	K	14.30	38	77	208-230/460	1.7	2,19
	1800	143T	EM7014T	⑧	1,066	L1	15.23	49	87.5	230/460	1.5	2,19
		143T	EM7114T-C	②	1,216	L1	16.28	127	87.5	208-230/460	1.5	2,19
		143T	M7014T	⑧	794	LS	14.36	44	82.5	230/460	1.65	2,19
		143T	M7114T	⑧	1,126	LS	16.28	78	82.5	230/460	1.65	2
		182	M7015	⑧	1,100	L1	15.23	44	77	208-230/460	1.7	2,19
1200	56	M7032	①	936	K	15.17	44	75.5	208-230/460	1.7	2	
	145T	M7032T	⑧	917	L1	15.23	49	80	230/460	1.8	2	
1 1/2	3600	143T	M7018T	⑧	750	L1	14.36	45	82.5	230/460	2.1	2,19
		56	M7034	⑧	831	K	14.30	43	78.5	208-230/460	2.5	2,19
	1800	145T	EM7034T	⑧	1,104	L1	16.10	56	88.5	230/460	2.1	2,19
		145T	EM7134T-C	②	1,244	L1	16.28	85	88.5	230/460	2.1	2
		145T	M7034T	⑧	796	LS	15.23	48	84	230/460	2.2	2,19
		145T	M7134T	⑧	1,141	LS	16.28	81	84	208-230/460	2.3	2
		184	M7019	⑧	1,291	L1	15.23	49	78.5	208-230/460	2.5	2,19
		182T	M7020T	⑧	1,262	L1	17.42	76	85.5	230/460	2.8	2,19
	1200	182T	P18G4854	⑧	1,445	L1	17.12	136	85.6	230/460	2.2	
		145T	M7071T	⑧	768	L1	15.23	52	84	230/460	2.6	2,19
2	1800	56	M7037	⑧	929	K	15.17	51	82.5	208-230/460	3.1	2
		145T	EM7037T	⑧	1,204	L1	16.10	61	86.5	208-230/460	2.7	2
		145T	EM7137T-C	②	1,279	L1	16.28	85	88.5	208-230/460	2.7	2
		145T	M7037T	⑧	898	LS	15.23	55	84	230/460	2.9	2
		145T	M7137T	⑧	1,201	LS	16.28	82	84	230/460	2.8	2,19
	184	M7023	⑧	1,322	L1	15.23	54	82.5	208-230/460	3.1	2,19	
	1200	184T	M7041T	⑧	1,300	L1	18.92	92	86.5	230/460	3.3	2,19
3	3600	145T	M7075T	①	909	L1	17.48	69	85.5	230/460	3.7	2
		182T	M7126T	⑧	1,292	L1	17.56	134	85.5	230/460	3.7	2,19
		182T	M7026T	⑧	961	L1	16.05	66	85.5	230/460	3.7	2,19
		184	M7026	⑧	1,130	L1	15.55	64	81.5	208-230/460	3.9	2,19
	1800	182T	EM7142T-C	②	1,383	L1	17.56	136	88.5	230/460	4	2,19
		182T	M7142T	⑧	1,199	LS	17.56	138	87.5	230/460	4.8	2,19
		182T	M7042T	⑧	982	LS	17.42	81	87.5	230/460	4.1	2,19
		213	M7027	⑧	1,510	L1	16.44	107	80	230/460	4.5	2,19
		1200	213T	M7036T	⑧	1,417	L1	19.57	144	87.5	230/460	4.6
5	3600	184T	M7172T	⑧	1,515	L1	17.56	147	87.5	230/460	5.6	2,19
		184T	M7072T	⑧	1,130	L1	18.12	93	87.5	230/460	5.6	2,19
	1800	184T	EM7144T-C	②	1,667	L1	17.56	152	90.2	230/460	6.5	2,19
		184T	M7144T	⑧	1,420	LS	17.56	131	87.5	230/460	6.7	2,19
		L184T	P18G4826	⑧	1,420	LS	17.12	128	87.5	230/460	6.5	
		184T	M7044T	⑧	1,217	LS	17.37	99	87.5	230/460	6.7	2,19
		215	M7030	⑧	1,955	L1	18.06	124	84	208-230/460	7	2,19
		1200	215T	M7040T	⑧	1,858	L1	20.32	161	87.5	230/460	7.5
7 1/2	3600	213T	M7145T	⑧	1,748	L1	19.91	225	88.5	230/460	8.9	2,19
		184T	M7073T	①	1,459	L1	18.92	94	88.5	230/460	8.3	2
		213T	M7045T	⑧	1,559	L1	19.57	166	88.5	230/460	8.9	2,19
	1800	213T	EM7147T-C	②	2,086	L1	19.91	225	91.7	230/460	9.5	2,19
		213T	M7047T	⑧	1,500	LS	19.57	168	89.5	230/460	10.1	2,19
		213T	M7147T	⑧	1,716	LS	19.90	175	89.5	230/460	10.3	2,19
		213T	P21G4825	⑧	1,716	LS	19.25	175	89.5	230/460	9.5	
		1200	254T	M7048T	⑧	2,200	L1	25.50	381	89.5	230/460	11.1
10	3600	215T	M7074T	①	1,758	L1	20.07	162	89.5	230/460	11.6	2
		215T	M7174T	⑧	1,834	L1	19.90	173	89.5	230/460	11.6	2,19
		215T	P21G4801	⑧	1,834	L1	19.25	179	89.5	230/460	11.7	
	1800	215T	EM7170T-C	②	2,899	L1	19.91	252	92.4	230/460	12.5	2,19
		215T	M7070T	⑧	1,575	LS	21.07	164	89.5	230/460	13.5	2
		215T	M7170T	⑧	2,025	LS	19.90	187	89.5	230/460	13	2,19
		1200	256T	M7065T	⑧	2,645	L1	25.50	357	89.5	230/460	14.4

(a) See explosion proof symbols on inside back flap.

(b) See notes on inside back flap and pages 5-6.

■ Cast Iron Frame

Single and Three Phase, Foot Mounted

Hp	RPM	NEMA Frame	Catalog Number	XP <sup>(a)</sup> Cls/Grp	List Price	Mult. Sym.	"C" Dim.	Aprx. Wt. (lb)	Full Load Efficiency	Voltage	Full Load Amps	Notes <sup>(b)</sup>
<b>Three Phase (continued)</b>												
15	3600	254T	M7053T	⑧	2,073	L1	25.50	292	90.2	230/460	17	2,19
		254T	P25G4800	⑧	2,073	L1	24.56	307	90.2	230/460	17.6	
	1800	254T	EM7054T	⑧	3,159	L1	25.50	370	92.4	230/460	18	2,19
		254T	EM7054T-C	②	3,236	L1	25.50	370	92.4	230/460	18	2,19
		254T	M7054T	⑧	2,346	LS	25.50	376	91	230/460	18	2,19
		254T	P25G4825	⑧	2,346	LS	24.56	325	91	230/460	19.5	
1200	284T	M7057T	⑧	4,264	L1	28.61	436	90.2	230/460	21	2,19	
	284T	P28G4850	⑧	4,264	L1	27.44	426	90.2	230/460	20.5		
20	3600	256T	M7059T	⑧	2,659	L1	25.50	371	90.2	230/460	23	2,19
		256T	EM7056T	⑧	4,093	L1	25.50	393	93	230/460	24	2,19
	1800	256T	EM7056T-C	②	4,179	L1	25.50	393	93	230/460	24	2,19
		256T	M7056T	⑧	3,042	LS	25.50	381	91	230/460	24	2,19
		256T	P25G4826	⑧	3,042	LS	24.56	345	91	230/460	25.4	
		286T	M7079T	⑧	4,378	L1	28.61	522	90.2	230/460	27	2,19
1200	286T	P28G4851	⑧	4,378	L1	27.44	429	90.2	230/460	26.9		
	3600	284TS	M7063T	⑧	3,539	L1	27.24	517	91	230/460	28.5	2,19
1800		284TS	P28G4800	⑧	3,539	L1	26.06	432	91	230/460	29.7	
	284T	EM7058T	⑧	4,966	L1	28.61	542	93.6	230/460	30.5	2,19	
	284T	EM7058T-C	②	5,063	L1	28.61	564	93.6	230/460	30.5	2,19	
	284T	M7058T	⑧	3,764	LS	28.61	528	92.4	230/460	30.8	2,19	
1200	324T	M7082T	⑧	5,474	L1	32.00	732	91.7	230/460	31	2,19	
	3600	286TS	M7083T	⑧	4,160	L1	27.24	534	91	230/460	34	2,19
1800		286TS	P28G4801	⑧	4,160	L1	26.06	436	91	230/460	36.9	
	286T	EM7060T	⑧	6,054	L1	28.61	567	94.1	230/460	36	2,19	
	286T	EM7060T-C	②	6,154	L1	28.61	589	94.1	230/460	36	2,19	
	286T	M7060T	⑧	4,499	LS	28.61	491	92.4	230/460	36	2,19	
1200	286T	P28G4826	⑧	4,499	LS	27.44	460	92.4	230/460	37		
	326T	M7080T	⑧	6,039	L1	32.00	737	91.7	230/460	37	2,19	
40	3600	324TS	M7067T	⑧	5,549	L1	30.50	718	91.7	230/460	45	2,19
		324TS	P32G4800	⑧	5,549	L1	28.94	651	91.7	230/460	50.1	
	1800	324T	EM7062T	⑧	8,114	L1	32.00	767	94.5	230/460	46	2,19
		324T	EM7062T-C	②	8,224	L1	32.12	834	94.5	230/460	46	2,19
		324T	M7062T	⑧	6,147	LS	32.00	750	93	230/460	47	2,19
		324T	P32G4825	⑧	6,147	LS	30.44	685	93	230/460	49.5	
1200	364T	M7084T	⑧	7,000	L1	33.25	915	93	230/460	49	2,19	
	3600	326TS	M7081T	⑧	7,106	L1	30.50	704	92.4	230/460	56	2,19
1800		326T	EM7064T	⑧	9,438	L1	32.00	783	94.5	230/460	57	2,19
	326T	EM7064T-C	②	9,549	L1	32.12	851	94.5	230/460	57	2,19	
	326T	M7064T	⑧	7,152	LS	32.00	769	93	230/460	60	2,19	
	326T	P32G4826	⑧	7,152	LS	30.44	702	93	230/460	63.2		
60	1800	365T	M7085T	⑦	7,900	L1	33.25	918	93	230/460	61	2,19
		364T	EM7066T	⑦	10,557	L1	33.25	965	94.5	230/460	69	2,19
		364T	EM7066T-C	②	10,674	L1	33.25	989	94.5	230/460	69	2,19
75	1200	364T	M7066T	⑦	7,999	LS	33.25	969	93.6	230/460	69	2,19
		404T	M7086T	⑦	9,426	L1	38.75	1,233	93.6	230/460	70	2,19
100	1800	365T	M7068T	②	9,978	LS	33.25	1,031	94.1	230/460	85	2,19
		405T	M7087T	⑦	10,722	L1	38.75	1,338	93.6	230/460	88	2,19
125	1800	405T	M7090T	②	11,821	LS	38.75	1,363	94.5	230/460	113	2,19
150	1800	444T	M74124T-4	②	15,796	LS	44.25	1,327	94.5	460	143	2,19
200	1800	445T	M74154T-4	②	17,493	LS	44.25	1,450	95	460	167	2,19
250	1800	447T	M74204T-4	②	25,779	LS	52.75	1,975	95	460	224	2,19,20
300	1800	447T	M74254T-4	②	30,116	L1	52.75	2,016	95	460	284	2,19,20
300	1800	449TY	M74304T-4	②	44,829	L1	54.25	2,959	95	460	328	2,19,20

(a) See explosion proof symbols on inside back flap.

(b) See notes on inside back flap and pages 5-6.

Cast Iron Frame

**CAUTION:** Explosion-proof motors have a tight fit between mating parts to ensure the integrity of the explosion-proof enclosure. This can lead to an accumulation of moisture inside the motors due to condensation. Care should be used when selecting an explosion-proof motor, especially when installed outdoors and on intermittent duty. Consider explosion-proof motors on pages 92-94 for outdoor applications. These explosion-proof motors are not suitable for use with adjustable speed drives, inverter duty explosion-proof motors must be used. See page 206.

General Information

Premium Efficient Super-E® Motors

Single Phase Motors

General Purpose Industrial Motors

Severe Duty Motors

Washdown Duty Motors

Explosion Proof Motors

Pump Motors

Commercial Motors

HVAC Motors

**Single and Three Phase, C-Face, No Drip Cover**

**1/3 thru 50 Hp**

**NEMA 56C thru 326TC**

**Applications:** Pumps, blowers, valves.

**Features:** Corrosion resistant epoxy finish. Positively locked drive end bearing. U.L. approved cast conduit box-standard. 1.00 S.F. U.L. and CSA approved for Class I, Group D or Class II, Group F & G.



Hp	RPM	NEMA Frame	Catalog Number	XP <sup>(a)</sup> Cls/Grp	List Price	Mult. Sym.	"C" Dim.	Aprx. Wt. (lb)	Full Load Efficiency	Voltage	Full Load Amps	Notes <sup>(b)</sup>
<b>Single Phase, C-Face, Foot Mounted</b>												
1/3	1800	56C	CL5001A	⑧	696	K	13.22	30	60	115/208-230	3	
1/2	3600	56C	CL5003A	⑧	611	K	13.22	31	57	115/230	3.7	
	1800	56C	CL5004A	⑧	697	K	14.22	37	64	115/208-230	3.7	
3/4	1800	56C	CL5007A	⑦	777	K	15.17	48	66	115/230	5.3	
	3600	56C	CL5009A	⑦	693	K	15.17	49	66	115/230	6	
1	1800	56C	CL5023A	①	883	K	15.17	48	67	115/230	6.5	
	3600	143TC	CL5030T	⑧	1,087	L1	15.23	54	70	115/208-230	7.5	
1 1/2	1800	184C	CL5013	⑧	1,764	L1	16.93	81	70	115/230	9.5	
	3600	143TC	CL5031T	⑧	1,242	L1	16.10	61	74	115/208-230	11.5	
2	1800	182TC	CL5027T	①	1,820	L1	18.86	96	75	115/230	11	
	3600	184TC	CL5028T	①	1,841	L1	18.86	96	76	115/230	14.5	
3	1800	215C	CL5018	⑧	2,825	L1	19.56	154	79	115/230	15	
	3600	215C	CL5020	①	3,597	L1	20.69	170	84	230	21	
<b>Single Phase, C-Face, Footless</b>												
1/4	1800	56C	VL5000A	⑧	616	K	12.25	30	60	115/230	3	
	3600	56C	VL4005A	⑧	469	K	12.25	30	60	115/230	3	
1/3	1800	56C	VL5001A	⑧	629	K	13.22	29	60	115/208-230	3	
	1200	56C	VL5002A	⑦	843	K	14.30	42	54	115/230	3.4	
1/2	3600	56C	VL5003A	⑧	606	K	13.22	30	57	115/230	3.7	
	1800	56C	VL5004A	⑧	695	K	14.22	36	64	115/208-230	3.7	
3/4	1200	56C	VL5005A	⑦	967	K	15.17	50	59	115/230	4	
	3600	56C	VL5006A	⑦	648	K	14.30	40	62	115/230	4.9	
1	1800	56C	VL5007A	⑦	774	K	15.17	47	66	115/230	5.3	
	3600	56C	VL5009A	⑦	695	K	15.17	49	66	115/230	6	
1 1/2	1800	56C	VL5023A	①	879	K	15.17	51	67	115/230	6.5	
	3600	56C	VL5030	①	1,001	K	14.39	54	75	115/230	8	
2	1800	56C	VL5024A	①	1,161	K	17.42	72	75	115/230	8	
	1800	184C	VL5027	①	1,847	L1	16.93	87	75	115/208-230	11	
<b>Three Phase, C-Face, Foot Mounted</b>												
1/2	3600	56C	CM7005A	⑧	729	K	13.22	28	68	208-230/460	1.1	
	1800	56C	CM7006A	⑧	790	K	13.22	30	74	208-230/460	1	
3/4	3600	56C	CM7009A	⑧	753	K	13.22	30	75	208-230/460	1.3	
	1800	56C	CM7010A	⑧	805	K	14.22	35	73	208-230/460	1.5	
1	3600	56C	CM7013	⑧	788	K	13.22	31	75.5	208-230/460	1.8	
	1800	56C	CM7014	⑧	858	K	14.30	41	77	208-230/460	1.7	19
1 1/2		143TC	CM7014T	⑧	858	L1	14.36	44	82.5	230/460	1.65	19
	3600	143TC	CM7018T	⑧	893	L1	14.36	47	82.5	230/460	2.1	19
1800		56C	CM7034	⑧	915	K	14.30	44	78.5	208-230/460	2.5	19
	145TC	CM7034T	⑧	915	L1	15.23	49	84	230/460	2.2	19	

<sup>(a)</sup> See explosion proof symbols on inside back flap.

<sup>(b)</sup> See notes on inside back flap and pages 5-6.

Single and Three Phase, C-Face, No Drip Cover

Hp	RPM	NEMA Frame	Catalog Number	XP <sup>(a)</sup> Cls/Grp	List Price	Mult. Sym.	"C" Dim.	Aprx. Wt. (lb)	Full Load Efficiency	Voltage	Full Load Amps	Notes <sup>(b)</sup>
<b>Three Phase, C-Face, Foot Mounted (continued)</b>												
2	3600	145TC	CM7071T	Ⓢ	885	L1	15.23	52	84	230/460	2.6	19
	1800	56C	CM7037	Ⓢ	990	K	15.17	52	82.5	208-230/460	3.1	19
		145TC	CM7037T	Ⓢ	990	L1	15.23	53	84	230/460	2.9	19
3	3600	145TC	CM7075T	①	1,110	L1	17.48	69	85.5	230/460	3.7	
	1800	182TC	CM7042T	Ⓢ	1,276	L1	18.86	92	87.5	230/460	4.1	19
		L182TC	P18G1181	Ⓢ	1,431	L1	17.88	139	87.5	230/460	3.9	
5	3600	184TC	CM7072T	Ⓢ	1,485	L1	18.86	101	87.5	230/460	5.6	19
	1800	184TC	CM7044T	Ⓢ	1,535	L1	18.80	111	87.5	230/460	6.7	19
		L184TC	P18G1182	Ⓢ	1,722	L1	17.88	144	87.5	230/460	6.5	
7 1/2	3600	184TC	CM7073T	①	1,674	L1	20.36	111	88.5	230/460	8.3	
		213TC	CM7045T	Ⓢ	1,963	L1	20.33	173	88.5	230/460	8.9	19
	1800	213TC	CM7047T	Ⓢ	1,778	L1	21.08	183	89.5	230/460	10.1	19
		213TC	P21G1156	Ⓢ	1,994	L1	20.00	183	89.5	230/460	9.5	
10	3600	215TC	CM7174T	Ⓢ	2,103	L1	20.65	215	89.5	230/460	11.6	19
	1800	215TC	CM7170T	Ⓢ	2,103	L1	20.65	232	89.5	230/460	13	19
		215TC	P21G1157	Ⓢ	2,358	L1	20.00	196	89.5	230/460	12.2	
15	3600	254TC	CM7053T	Ⓢ	2,257	L1	26.00	345	90.2	230/460	17	19
	1800	254TC	CM7054T	Ⓢ	3,671	L1	26.00	386	91	230/460	18	19
		254TC	P25G1146	Ⓢ	4,117	L1	25.06	357	91	230/460	19.5	
20	3600	256TC	CM7059T	Ⓢ	2,844	L1	26.00	372	90.2	230/460	23	19
	1800	256TC	CM7056T	Ⓢ	4,264	L1	26.00	362	91	230/460	24	19
		256TC	P25G1147	Ⓢ	4,781	L1	25.06	371	91	230/460	25.4	
25	3600	286TSC	CM7063T	Ⓢ	3,714	L1	27.24	524	91	230/460	28.5	19
	1800	284TC	CM7058T	Ⓢ	5,306	L1	28.61	532	92.4	230/460	30.8	19
30	1800	286TC	CM7060T	Ⓢ	5,998	L1	28.61	533	92.4	230/460	36	19
40	1800	324TC	CM7062T	Ⓢ	8,108	L1	32.00	735	93	230/460	47	19
50	1800	326TC	CM7064T	Ⓢ	9,170	L1	32.00	763	93	230/460	60	19
<b>Three Phase, C-Face, Footless</b>												
1/4	1800	56C	VM7001A	Ⓢ	733	K	10.75	26	71	208-230/460	0.7	15
1/3	1800	56C	VM7002A	Ⓢ	748	K	13.22	28	67	208-230/460	0.8	
1/2	3600	56C	VM7005A	Ⓢ	725	K	13.22	26	68	208-230/460	1.1	
	1800	56C	VM7006A	Ⓢ	788	K	13.22	30	74	208-230/460	1	
	1200	56C	VM7007A	⑦	917	K	14.30	38	70	208-230/460	1.2	
3/4	3600	56C	VM7009A	Ⓢ	748	K	13.22	29	75	208-230/460	1.3	
	1800	56C	VM7010A	Ⓢ	802	K	14.22	33	73	208-230/460	1.5	
	1200	56C	VM7031A	⑦	962	K	15.17	44	77	208-230/460	1.4	
1	3600	56C	VM7013	Ⓢ	780	K	13.22	31	75.5	208-230/460	1.8	
	1800	56C	VM7014	Ⓢ	842	K	15.22	41	75.5	208-230/460	1.8	
		143TC	VM7014T	Ⓢ	842	L1	14.36	40	77	208-230/460	1.7	19
	1200	56C	VM7032	①	1,014	K	15.17	46	75.5	208-230/460	1.7	
1 1/2	3600	143TC	VM7018T	Ⓢ	887	L1	14.36	41	75.5	208-230/460	2.3	19
	1800	56C	VM7034	Ⓢ	907	K	14.20	43	78.5	208-230/460	2.5	19
		145TC	VM7034T	Ⓢ	907	L1	14.36	43	78.5	208-230/460	2.5	19
	1200	145TC	VM7035T	①	1,037	L1	16.10	58	80	230/460	2.6	
2	3600	145TC	VM7071T	Ⓢ	992	L1	15.23	47	78.5	208-230/460	2.7	19
	1800	56C	VM7037	Ⓢ	981	K	15.17	48	82.5	208-230/460	3.1	19
		145TC	VM7037T	Ⓢ	981	L1	15.23	50	82.5	208-230/460	3.1	19
3	3600	145TC	VM7075T	①	1,101	L1	15.23	54	82.5	208-230/460	3.8	
	182TC	VM7026T	Ⓢ	1,161	L1	17.49	74	81.5	208-230/460	3.9	19	
5	1800	182TC	VM7042T	Ⓢ	1,258	L1	17.49	81	82.5	230/460	4.3	19
	3600	184TC	VM7072T	Ⓢ	1,468	L1	18.06	97	85.5	208-230/460	6	19
7 1/2	3600	184TC	VM7044T	Ⓢ	1,532	L1	18.80	111	86.5	230/460	6.5	19
		184TC	VM7073T	①	1,657	L1	20.36	107	87.5	230/460	8.8	19
	213TC	VM7045T	Ⓢ	1,930	L1	19.19	144	84	230/460	9.3	19	
10	1800	213TC	VM7047T	Ⓢ	1,774	L1	19.19	156	86.5	230/460	10.5	19
	215TC	VM7170T	Ⓢ	2,152	L1	20.65	220	88.5	230/460	13.8	19	

<sup>(a)</sup> See explosion proof symbols on inside back flap.

<sup>(b)</sup> See notes on inside back flap and pages 5-6.

■ Cast Iron Frame

General Information

Premium Efficient Super-E® Motors

Single Phase Motors

General Purpose Industrial Motors

Severe Duty Motors

Washdown Duty Motors

Explosion Proof Motors

Pump Motors

Commercial Motors

HVAC Motors

**BALDOR • RELIANCE**

**Single Phase,  
C-Face,  
1.15 Service Factor,  
Foot Mounted**

**1/3 thru 1 Hp**

**NEMA 56C**

**Applications:** Pumps, blowers, valves and other applications in petro-chemical industry needing Severe Duty, Division I, Class I, Group C & D approval.

**Features:** Corrosion resistant finish, breather drain, labyrinth seal on output shaft. UL approved conduit box, 1.15 service factor, UL and CSA approved for Class I, Group C & D.



Hp	RPM	NEMA Frame	Catalog Number	XP (a) Cls/Grp	List Price	Mult. Sym.	"C" Dim.	Aprx. Wt. (lb)	Full Load Efficiency	Voltage	Full Load Amps	Notes (b)
1/3	1800	56C	CL5001-I	Ⓢ	767	K	13.22	23	60	115/208-230	3	
1/2	1800	56C	CL5004-I	Ⓢ	768	K	14.22	29	64	115/208-230	3.7	
3/4	1800	56C	CL5007-I	Ⓢ	819	K	15.17	32	66	115/230	5.3	
1	1800	56C	CL5023-I	Ⓢ	883	K	15.17	62	67	115/230	6.5	

(a) See explosion proof symbols on inside back flap.  
(b) See notes on inside back flap and pages 5-6.

**Three Phase,  
1.15 Service Factor**

**1/2 thru 100 Hp**

**NEMA 56C thru 405T**

**Applications:** On and off shore drill rig service, bulk fuel terminals, and transfer stations. For use in high humidity hazardous-duty applications driving pumps, compressors, blowers, fans, and many other loads that require 1.15 service factor explosion-proof motors. Designed with features for use in the petroleum industry. Includes Class I, Group C & D approval for use in areas where hydrogen sulfide is present.

**Features:** Labyrinth-type recessed shaft slinger for increased bearing protection Explosion-proof breather/drain to prevent build up of condensation. Class F insulation. Corrosion resistant finish with two part epoxy coating. UL and CSA approved for Class I, Group C & D. 1.15 service factor.



Hp	RPM	NEMA Frame	Catalog Number	XP (a) Cls/Grp	List Price	Mult. Sym.	"C" Dim.	Aprx. Wt. (lb)	Full Load Efficiency	Voltage	Full Load Amps	Notes (b)
<b>Foot Mounted</b>												
1	3600	143T	M7013T-I	Ⓢ	840	SD	14.36	41	82.5	230/460	1.8	1,19
	1800	143T	M7014T-I	Ⓢ	803	SD	14.36	49	82.5	230/460	1.6	1,19
	1200	145T	M7032T-I	Ⓢ	917	SD	15.23	50	80	230/460	1.8	1,19
1 1/2	3600	143T	M7018T-I	Ⓢ	859	SD	14.36	47	82.5	230/460	2.1	1,19
	1800	145T	M7034T-I	Ⓢ	805	SD	15.23	18	84	230/460	2.2	1,19
	1200	182T	M7020T-I	Ⓢ	1,262	SD	17.42	99	85.5	230/460	2.8	1,19
2	3600	145T	M7071T-I	Ⓢ	955	SD	15.23	50	84	230/460	2.6	1,19
	1800	145T	M7037T-I	Ⓢ	908	SD	15.23	31	84	230/460	2.9	1,19
	1200	184T	M7041T-I	Ⓢ	1,300	SD	18.92	90	86.5	230/460	3.3	1,19
3	3600	182T	M7026T-I	Ⓢ	1,070	SD	16.05	91	85.5	230/460	3.7	1,19
	1800	182T	M7042T-I	Ⓢ	986	SD	18.27	105	87.5	230/460	4.1	1,19
		182T	M7042T-I-5	Ⓢ	986	SD	18.27	99	87.5	575	3.3	1,19
	1200	213T	M7036T-I	Ⓢ	1,417	SD	19.57	155	87.5	230/460	4.6	1,19

(a) See explosion proof symbols on inside back flap.  
(b) See notes on inside back flap and pages 5-6.

■ Cast Iron Frame

These motors expel condensation better than standard explosion proof designs. They are recommended for applications such as fuel transfer terminals and fuel truck loading facilities where motors may run intermittently, applications where explosion-proof motors are installed outdoors exposed to the environment, and may not be operated for extended periods of time. These explosion-proof motors are not suitable for use with adjustable speed drives. Inverter duty explosion-proof motors must be used. See page 206.

General Information

Premium Efficient Super-E® Motors

Single Phase Motors

General Purpose Industrial Motors

Severe Duty Motors

Washdown Duty Motors

Explosion Proof Motors

Pump Motors

Commercial Motors

HVAC Motors



**Three Phase, 1.15 Service Factor**

Hp	RPM	NEMA Frame	Catalog Number	XP <sup>(a)</sup> Cls/Grp	List Price	Mult. Sym.	"C" Dim.	Aprx. Wt. (lb)	Full Load Efficiency	Voltage	Full Load Amps	Notes <sup>(b)</sup>
<b>Foot Mounted (continued)</b>												
5	3600	184T	<b>M7072T-I</b>	Ⓢ	1,348	SD	18.12	108	87.5	230/460	5.6	1,19
	1800	184T	<b>M7044T-I</b>	Ⓢ	1,223	SD	18.27	118	87.5	230/460	6.7	1,19
		184T	<b>M7044T-I-5</b>	Ⓢ	1,223	SD	18.27	114	87.5	575	5.2	1,19
7 1/2	1200	215T	<b>M7040T-I</b>	Ⓢ	1,858	SD	20.32	165	87.5	230/460	7.5	1,19
	3600	213T	<b>M7045T-I</b>	Ⓢ	1,559	SD	19.57	159	88.5	230/460	8.9	1,19
		213T	<b>M7047T-I</b>	Ⓢ	1,508	SD	20.32	177	89.5	230/460	10.2	1,19
10	1800	213T	<b>M7047T-I-5</b>	Ⓢ	1,508	SD	20.32	165	89.5	575	8.2	1,19
		254T	<b>M7048T-I</b>	Ⓢ	2,200	SD	25.50	381	89.5	230/460	11.1	1,19
	3600	215T	<b>M7174T-I</b>	Ⓢ	1,834	SD	19.90	228	89.5	230/460	11.6	1,19
15	1800	215T	<b>M7170T-I</b>	Ⓢ	2,035	SD	20.03	225	89.5	230/460	12.7	1,19
		215T	<b>M7170T-I-5</b>	Ⓢ	2,035	SD	20.03	230	89.5	575	11.4	1,19
	1200	256T	<b>M7065T-I</b>	Ⓢ	2,645	SD	25.50	369	89.5	230/460	14.4	1,19
20	3600	254T	<b>M7053T-I</b>	Ⓢ	2,073	SD	25.50	344	90.2	230/460	17	1,19
	1800	254T	<b>M7054T-I</b>	Ⓢ	2,358	SD	25.50	387	91	230/460	18	1,19
		254T	<b>M7054T-I-5</b>	Ⓢ	2,358	SD	25.50	381	91	575	14.4	1,19
25	1200	284T	<b>M7057T-I</b>	Ⓢ	4,264	SD	28.61	430	90.2	230/460	21	1,19
	3600	256T	<b>M7059T-I</b>	Ⓢ	2,659	SD	25.50	344	90.2	230/460	23	1,19
		256T	<b>M7056T-I</b>	Ⓢ	3,057	SD	25.50	387	91	230/460	24	1,19
30	1800	256T	<b>M7056T-I-5</b>	Ⓢ	3,057	SD	25.50	381	91	575	19.2	1,19
		286T	<b>M7079T-I</b>	Ⓢ	4,378	SD	28.61	436	90.2	230/460	27	1,19
	1200	284TS	<b>M7063T-I</b>	Ⓢ	3,539	SD	27.24	445	91	230/460	28.5	1,19
40	1800	284T	<b>M7058T-I</b>	Ⓢ	3,782	SD	28.61	549	92.4	230/460	30.8	1,19
		284T	<b>M7058T-I-5</b>	Ⓢ	3,782	SD	28.61	415	92.4	575	24.6	1,19
	1200	324T	<b>M7082T-I</b>	Ⓢ	5,474	SD	32.00	685	91.7	230/460	31	1,19
50	3600	286TS	<b>M7083T-I</b>	Ⓢ	4,160	SD	27.24	445	91	230/460	34	1,19
	1800	286T	<b>M7060T-I</b>	Ⓢ	4,523	SD	28.61	584	92.4	230/460	36	1,19
		286T	<b>M7060T-I-5</b>	Ⓢ	4,523	SD	28.61	583	92.4	575	28.8	1,19
60	1200	326T	<b>M7080T-I</b>	Ⓢ	6,039	SD	32.00	721	91.7	230/460	37	1,19
	3600	324TS	<b>M7067T-I</b>	Ⓢ	5,549	SD	30.50	665	91.7	230/460	45	1,19
		324T	<b>M7062T-I</b>	Ⓢ	6,178	SD	32.00	765	93	230/460	47	1,19
75	1800	324T	<b>M7062T-I-5</b>	Ⓢ	6,178	SD	32.00	764	93	575	37.6	1,19
		364T	<b>M7084T-I</b>	Ⓢ	7,000	SD	33.25	889	93	230/460	49	1,19
	1200	326TS	<b>M7081T-I</b>	Ⓢ	7,106	SD	30.50	705	92.4	230/460	56	1,19
100	1800	326T	<b>M7064T-I</b>	Ⓢ	7,189	SD	32.00	798	93	230/460	60	1,19
		326T	<b>M7064T-I-5</b>	Ⓢ	7,189	SD	32.00	795	93	575	47	1,19
	1200	365T	<b>M7085T-I</b>	Ⓢ	7,900	SD	33.25	765	93	230/460	61	1,19
150	3600	364TS	<b>M7310T-I</b>	Ⓢ	8,208	SD	31.13	945	93	230/460	66	1,19
		364T	<b>M7066T-I</b>	Ⓢ	8,155	SD	33.25	981	93.6	230/460	69	1,19
	1200	364T	<b>M7066T-I-5</b>	Ⓢ	8,155	SD	33.25	979	93.6	575	56	1,19
200	3600	404T	<b>M7086T-I</b>	Ⓢ	9,426	SD	38.75	1,325	93.6	230/460	70	1,19
		365TS	<b>M7313T-I</b>	Ⓢ	9,512	SD	31.13	985	93	230/460	83	1,19
	1800	365T	<b>M7068T-I</b>	Ⓢ	10,030	SD	33.25	1,044	94.1	230/460	85	1,19
300	1800	365T	<b>M7068T-I-5</b>	Ⓢ	10,030	SD	33.25	1,031	94.1	575	69	1,19
		405T	<b>M7087T-I</b>	Ⓢ	10,722	SD	38.75	1,338	93.6	230/460	88	1,19
	1200	405T	<b>M7090T-I</b>	Ⓢ	12,125	SD	38.75	1,367	94.5	230/460	109	1,19
			<b>M7090T-I-5</b>	Ⓢ	12,125	SD	38.75	1,372	94.5	575	87	1,19

<sup>(a)</sup> See explosion proof symbols on inside back flap.

<sup>(b)</sup> See notes on inside back flap and pages 5-6.

■ Cast Iron Frame

These motors expel condensation better than standard explosion proof designs. They are recommended for applications such as fuel transfer terminals and fuel truck loading facilities where motors may run intermittently, applications where explosion-proof motors are installed outdoors exposed to the environment, and may not be operated for extended periods of time. These explosion-proof motors are not suitable for use with adjustable speed drives. Inverter duty explosion-proof motors must be used. See page 206.

General Information

Premium Efficient Super-E® Motors

Single Phase Motors

General Purpose Industrial Motors

Severe Duty Motors

Washdown Duty Motors

Explosion Proof Motors

Pump Motors

Commercial Motors

HVAC Motors

**Three Phase, 1.15 Service Factor**

Hp	RPM	NEMA Frame	Catalog Number	XP <sup>(a)</sup> Cls/Grp	List Price	Mult. Sym.	"C" Dim.	Aprx. Wt. (lb)	Full Load Efficiency	Voltage	Full Load Amps	Notes <sup>(b)</sup>
<b>C-Face, Foot Mounted</b>												
1/2	1800	56C	<b>CM7006-I</b>	Ⓢ	790	SD	14.36	32	80	230/460	0.75	1,19
3/4	1800	56C	<b>CM7010-I</b>	Ⓢ	805	SD	14.36	21	82.5	230/460	1.5	1,19
1	1800	56C	<b>CM7014-I</b>	Ⓢ	858	SD	14.36	25	82.5	230/460	1.6	1,19
1 1/2	1800	145TC	<b>CM7034T-I</b>	Ⓢ	1,008	SD	15.23	30	84	230/460	2.2	1,19
2	1800	145TC	<b>CM7037T-I</b>	Ⓢ	1,089	SD	15.23	34	84	230/460	2.9	1,19
3	1800	182TC	<b>CM7042T-I</b>	Ⓢ	1,276	SD	19.59	111	87.5	230/460	4.1	1,19
5	1800	184TC	<b>CM7044T-I</b>	Ⓢ	1,535	SD	19.59	122	87.5	230/460	6.7	1,19
7 1/2	1800	213TC	<b>CM7047T-I</b>	Ⓢ	1,778	SD	21.07	170	89.5	230/460	10.2	1,19
10	1800	215TC	<b>CM7170T-I</b>	Ⓢ	2,103	SD	20.78	232	89.5	230/460	12.7	1,19
15	1800	254TC	<b>CM7054T-I</b>	Ⓢ	3,671	SD	26.00	333	91	230/460	18	1,19
20	1800	256TC	<b>CM7056T-I</b>	Ⓢ	4,264	SD	26.00	356	91	230/460	24	1,19
25	1800	284TC	<b>CM7058T-I</b>	Ⓢ	5,306	SD	28.61	554	92.4	230/460	30.8	1,19
30	1800	286TC	<b>CM7060T-I</b>	Ⓢ	5,998	SD	28.61	584	92.4	230/460	36	1,19
40	1800	324TC	<b>CM7062T-I</b>	Ⓢ	8,108	SD	32.00	808	93	230/460	47	1,19
50	1800	326TC	<b>CM7064T-I</b>	Ⓢ	9,170	SD	32.00	779	93	230/460	60	1,19
<b>C-Face, Footless</b>												
1/2	1800	56C	<b>VM7006-I</b>	Ⓢ	788	SD	14.29	17	80	230/460	0.75	1,19
3/4	1800	56C	<b>VM7010-I</b>	Ⓢ	802	SD	14.29	20	75.2	230/460	1.5	1,19
1	1800	56C	<b>VM7014-I</b>	Ⓢ	842	SD	14.36	51	73.7	230/460	2.2	1,19
		143TC	<b>VM7014T-I</b>	Ⓢ	842	SD	14.36	26	82.5	230/460	1.4	1,19
1 1/2	1800	56C	<b>VM7034-I</b>	Ⓢ	907	SD	14.29	50	78.5	230/460	2.5	1,19
		145TC	<b>VM7034T-I</b>	Ⓢ	907	SD	15.23	50	84	230/460	2.2	1,19
2	1800	145TC	<b>VM7037T-I</b>	Ⓢ	981	SD	15.23	33	84	230/460	2.9	1,19
3	1800	182TC	<b>VM7042T-I</b>	Ⓢ	1,258	SD	19.59	80	87.5	230/460	4.1	1,19
5	1800	184TC	<b>VM7044T-I</b>	Ⓢ	1,532	SD	19.59	97	87.5	230/460	6.7	1,19
7 1/2	1800	213TC	<b>VM7047T-I</b>	Ⓢ	1,774	SD	21.07	165	89.5	230/460	10.2	1,19
10	1800	215TC	<b>VM7170T-I</b>	Ⓢ	2,152	SD	20.78	230	89.5	230/460	14.2	1,19

(a) See explosion proof symbols on inside back flap.

(b) See notes on inside back flap and pages 5-6.

■ Cast Iron Frame

These motors expel condensation better than standard explosion proof designs. They are recommended for applications such as fuel transfer terminals and fuel truck loading facilities where motors may run intermittently, applications where explosion-proof motors are installed outdoors exposed to the environment, and may not be operated for extended periods of time. These explosion-proof motors are not suitable for use with adjustable speed drives. Inverter duty explosion-proof motors must be used. See page 206.

General Information  
Premium Efficient Super-E@ Motors  
Single Phase Motors  
General Purpose Industrial Motors  
Severe Duty Motors  
Washdown Duty Motors  
Explosion Proof Motors  
Pump Motors  
Commercial Motors  
HVAC Motors

Three Phase,  
Foot Mounted,  
Class I, Group D

3 thru 150 Hp

NEMA 182T thru 445T

**Applications:** Harsh industrial environments that contain hazardous gas and vapor that may have explosive properties.

**Features:** Designed with Severe Duty XT features, 1.15 service factor, UL and CSA approved for Class I, Group D, T2A with Cautionary Label Only: No Thermostat.



Hp	RPM	NEMA Frame	Catalog Number	XP <sup>(a)</sup> Cls/Grp	List Price	Mult. Sym.	"C" Dim.	Aprx. Wt. (lb)	Full Load Efficiency	Voltage	Full Load Amps	Notes <sup>(b)</sup>
3	1800	L182T	P18G4827	Ⓢ	981	SD	15.62	134	87.5	230/460	3.9	1
	1200	213T	P21G4856	Ⓢ	1,347	SD	19.25	170	87.5	230/460	4.4	1
5	1800	L184T	P18G4828	Ⓢ	1,118	SD	15.62	141	87.5	230/460	6.5	1
	1200	215T	P21G4857	Ⓢ	1,826	SD	19.25	185	87.5	230/460	6.8	1
7 1/2	1800	213T	P21G4827	Ⓢ	1,445	SD	19.25	188	89.5	230/460	9.5	1
	1200	254T	P25G4852	Ⓢ	2,568	SD	24.56	329	89.5	230/460	9.8	1
10	1800	215T	P21G4828	Ⓢ	1,593	SD	19.25	198	89.5	230/460	12.2	1
	1200	256T	P25G4853	Ⓢ	3,069	SD	24.56	341	89.5	230/460	12.9	1
15	1800	254T	P25G4827	Ⓢ	2,304	SD	24.56	326	91	230/460	19.5	1
20	1800	256T	P25G4828	Ⓢ	2,682	SD	24.56	350	91	230/460	25.4	1
25	1800	284T	P28G4827	Ⓢ	3,439	SD	27.44	453	92.4	230/460	31	1
30	1800	286T	P28G4828	Ⓢ	3,910	SD	27.44	463	92.4	230/460	37	1
40	1800	324T	P32G4827	Ⓢ	5,221	SD	30.44	635	93	230/460	49.5	1
50	1800	326T	P32G4828	Ⓢ	5,956	SD	30.44	709	93	230/460	63.2	1
	1200	365T	P36G4853	Ⓢ	9,531	SD	33.44	962	93	230/460	61.9	1
60	1800	364T	P36G4827	Ⓢ	8,298	SD	33.44	884	93.6	230/460	73.4	1
75	1800	365T	P36G4828	Ⓢ	9,891	SD	33.44	941	94.1	230/460	87	1
	1200	405T	P40G4853	Ⓢ	12,062	SD	38.31	1,286	93.6	230/460	87.9	1
100	1800	405T	P40G4826	Ⓢ	12,001	SD	38.31	1,321	94.5	230/460	116	1
	1200	444T	P44G4852	Ⓢ	16,086	SD	44.62	1,091	95	460	115	1
125	1800	444T	P44G4827	Ⓢ	15,653	SD	44.62	1,784	94.5	460	140	1
150	1800	445T	P44G4828	Ⓢ	18,068	SD	44.62	1,877	95	460	170	1

(a) See explosion proof symbols on inside back flap.

(b) See notes on inside back flap and pages 5-6.

■ Cast Iron Frame

These explosion-proof motors are not suitable for use with adjustable speed drives. Inverter duty explosion-proof motors must be used. See page 206.

General Information

Premium Efficient Super-E® Motors

Single Phase Motors

General Purpose Industrial Motors

Severe Duty Motors

Washdown Duty Motors

Explosion Proof Motors

Pump Motors

Commercial Motors

HVAC Motors

**BALDOR • RELIANCE**

**Three Phase,  
Foot Mounted,  
Class I, Group D,  
Class II, Group E,  
F & G**

**3 thru 150 Hp**

**NEMA L182T thru 445T**

**Applications:** Harsh industrial environments that contain hazardous gas and vapor, dust, fibers, filings or other material that may have explosive properties.

**Features:** Designed with Super-E NEMA Premium® efficiency, Severe Duty, XEX features, 1.15 service factor, UL and CSA approved for Class I, Group D, Class 2, Group E, F & G, T3C.



General Information  
Premium Efficient Super-E® Motors  
Single Phase Motors  
General Purpose Industrial Motors  
Severe Duty Motors  
Washdown Duty Motors  
Explosion Proof Motors  
Pump Motors  
Commercial Motors  
HVAC Motors

Hp	RPM	NEMA Frame	Catalog Number	XP <sup>(a)</sup> Cls/Grp	List Price	Mult. Sym.	"C" Dim.	Aprx. Wt. (lb)	Full Load Efficiency	Voltage	Full Load Amps	Notes <sup>(b)</sup>
3	1800	L182T	P18G534	ⓐ	1,488	SD	15.62	149	89.5	230/460	4.2	1
	3600	L184T	P18G583	ⓐ	1,739	SD	15.62	146	88.5	230/460	6	1
5	1800	L184T	P18G535	ⓐ	1,650	SD	17.12	151	89.5	230/460	6.6	1
	1800	213T	P21G545	ⓐ	2,274	SD	19.25	226	91.7	230/460	9.4	1
7 1/2	1800	215T	P21G582	ⓐ	2,488	SD	19.25	210	91	230/460	11.1	1
	1800	L215T	P21G546	ⓐ	2,321	SD	20.12	231	91.7	230/460	11.9	1
10	1800	254T	P25G539	ⓐ	3,142	SD	24.56	357	92.4	460	18.1	1
	1800	254T	P25G545	ⓐ	3,142	SD	24.56	357	92.4	230/460	18.1	1
15	3600	256T	P25G581	ⓐ	3,875	SD	24.56	402	91.7	230/460	22.3	1
	1800	256T	P25G540	ⓐ	3,582	SD	24.56	383	93	460	24	1
20	1800	256T	P25G546	ⓐ	3,582	SD	24.56	374	93	230/460	24	1
	1800	284T	P28G507	ⓐ	4,706	SD	27.44	512	93.6	460	29.7	1
25	1800	284T	P28G520	ⓐ	4,706	SD	27.44	496	93.6	230/460	29.7	1
	1800	286T	P28G508	ⓐ	5,282	SD	27.44	515	93.6	460	36.1	1
30	1800	286T	P28G521	ⓐ	5,282	SD	27.44	491	93.6	230/460	36.1	1
	1800	324T	P32G505	ⓐ	6,907	SD	30.44	704	94.1	460	47.7	1
40	1800	324T	P32G515	ⓐ	6,907	SD	30.44	732	94.1	230/460	47.7	1
	1800	326T	P32G516	ⓐ	7,779	SD	30.44	785	94.5	230/460	58.4	1
50	1800	364T	P36G563	ⓐ	10,882	SD	33.44	984	95	460	68	1
60	1800	365T	P36G564	ⓐ	12,775	SD	33.44	973	95.4	460	86	1
75	1800	405T	P40G292	ⓐ	15,562	SD	38.31	1,404	95.4	460	112	1
100	1800	444T	P44G435	ⓐ	20,340	SD	44.62	1,908	95.8	460	139	1
125	1800	445T	P44G438	ⓐ	23,208	SD	44.62	2,048	96.2	460	165	1

<sup>(a)</sup> See explosion proof symbols on inside back flap.

<sup>(b)</sup> See notes on inside back flap and pages 5-6.

■ Cast Iron Frame

These explosion-proof motors are not suitable for use with adjustable speed drives. Inverter duty explosion-proof motors must be used. See page 206.

**Jet Pump,  
Single Phase,  
TEFC and ODP**

**1/3 thru 3 Hp**

**NEMA 56C and 56J**

**Applications:** Residential and industrial pumps, swimming pool pumps, etc.

**Features:** Diecast aluminum end plates with machined steel bearing seat insert.



Hp	RPM	Catalog Number	List Price	Mult. Sym.	"C" Dim.	Aprx. Wt. (lb)	Full Load Efficiency	Voltage	Full Load Amps	Notes (a)
<b>TEFC, 56J, Foot Mounted</b>										
1/3	1800	CJL3501A	356	K	11.84	23	60	115/230	3	30
1/2	1800	CJL3504A	419	K	12.47	28	68	115/230	3.7	30
3/4	1800	CJL3507A	511	K	12.97	35	74	115/230	4.1	30
<b>TEFC, 56J, Footless</b>										
1/3	3600	JL3405A	263	K	9.29	23	60	115/230	3	
	1800	JL3501A	328	K	9.29	21	60	115/230	3	30
1/2	3600	JL3503A	301	K	10.29	25	62	115/230	3.7	30
	1800	JL3504A	382	K	10.29	26	68	115/230	3.7	30
3/4	3600	JL3506A	359	K	10.29	28	66	115/230	5.4	30
	1800	JL3507A	453	K	12.97	32	74	115/230	4.1	30
1	3600	JL3509A	439	K	13.74	41	66	115/230	6	
	1800	JL3510A	520	K	13.74	42	67	115/230	6.2	2
1 1/2	3600	JL3513A	520	K	13.74	44	70	115/230	8.3	2,30
	1800	JL3514A	571	K	14.62	49	75.5	115/230	8	2
2	3600	JL3515A	612	K	14.62	54	74	115/230	11.5	2
	1800	JL3516A	650	K	14.62	50	78	115/230	8.6	2,20
<b>ODP, 56J, Foot Mounted</b>										
1/3	3600	CJL1205A	258	K	11.91	24	58	115/230	3.1	
	1800	CJL1301A	388	K	11.89	23	60	115/230	3	30
1/2	3600	CJL1303A	269	K	12.51	27	66	115/230	3.7	
	1800	CJL1304A	439	K	12.14	26	62	115/230	4.2	30
3/4	3600	CJL1306A	342	K	13.39	29	69	115/230	5.5	
	1800	CJL1307A	504	K	12.25	31	63	115/230	5.4	
1	3600	CJL1309A	351	K	13.89	33	65	115/230	7	30
1 1/2	3600	CJL1313A	488	K	13.89	37	78.5	115/230	6.5	
2	3600	CJL1317A	653	K	13.25	44	70	115/230	13	30
<b>ODP, 56J, Footless</b>										
1/2	3600	JL1303A	256	K	12.51	26	66	115/230	3.7	
3/4	3600	JL1306A	336	K	13.39	28	69	115/230	5.5	
1	3600	JL1309A	348	K	13.89	33	65	115/230	7	30
1 1/2	3600	JL1313A	486	K	13.89	37	78.5	115/230	6.5	
	1800	JL1319A	524	K	13.25	39	68	115/230	9	2
2	3600	JL1317A	599	K	13.25	43	70	115/230	13	30
	1800	JL1322A	581	K	14.13	47	78.5	115/230	9.2	
3	3600	JL1323A	616	K	14.13	52	82.5	230	13	30
<b>ODP, 56C, Footless</b>										
1/2	3600	VL1303A	283	K	12.00	26	66	115/230	3.7	
3/4	3600	VL1306A	337	K	12.88	30	69	115/230	5.5	
	1800	VL1307A	461	K	11.75	31	63	115/230	5.4	
1	3600	VL1309A	356	K	13.40	32	65	115/230	7	30
	1800	VL1318A	489	K	12.75	41	67	115/230	6.2	2
1 1/2	3600	VL1313A	486	K	13.01	35	78.5	115/230	6.5	
2	3600	VL1317A	629	K	12.75	43	70	115/230	13	30
3	3600	VL1323A	650	K	13.63	49	82.5	230	13	30

(a) See notes on inside back flap and pages 5-6.

All threaded shaft single phase motors are connected single rotation - CCW when viewing drive end.

**ALL ABOVE RATINGS CAN BE UL 1081 COMPLIANT THROUGH MOD EXPRESS. SEE THE MOD EXPRESS PROGRAM SECTION IN THIS CATALOG FOR MORE DETAILS.**

General Information

Premium Efficient Super-E® Motors

Single Phase Motors

General Purpose Industrial Motors

Severe Duty Motors

Washdown Duty Motors

Explosion Proof Motors

Pump Motors

Commercial Motors

HVAC Motors



BALDOR • RELIANCE

**Jet Pump,  
Three Phase,  
TEFC, C-Face**

**1/3 thru 3 Hp**

**NEMA 56J**

**Applications:** Residential and industrial pumps, swimming pool pumps, etc.

**Features:** Diecast aluminum end plates with machined steel bearing seat insert.



General Information

Premium Efficient Super-E® Motors

Single Phase Motors

General Purpose Industrial Motors

Severe Duty Motors

Washdown Duty Motors

Explosion Proof Motors

Pump Motors

Commercial Motors

HVAC Motors

Hp	RPM	NEMA Frame	Catalog Number	List Price	Mult. Sym.	"C" Dim.	Aprx. Wt. (lb)	Full Load Efficiency	Voltage	Full Load Amps	Notes (a)
<b>Stainless Steel Threaded Shaft, Footless</b>											
1/3	3600	56J	JM2250	236	K	10.65	16	66	230	1.5	30,80
		56J	JM3457	295	K	11.84	19	62	230/460	0.8	30
	1800	56J	JM2450	260	K	10.65	18	68	230	1.4	30,80
		56J	JM3458	320	K	11.84	21	68	230/460	0.8	30
1/2	3600	56J	JM3460	320	K	11.84	21	70	230/460	1.2	30
		56J	JM3450	308	K	10.65	20	72	230	2	30,80
	1800	56J	JM3461	377	K	11.84	22	74	230/460	1	30
		56J	JM3463	349	K	11.84	23	74	208-230/460	1.5	
3/4	3600	56J	JM4250	258	K	10.90	24	77	230	2.6	30
		56J	JM3542	406	K	11.84	26	75.5	208-230/460	1.5	
	1800	56J	JM4450	295	K	11.28	26	72	208-230	2.8	30,80
		56J	JM3545	417	K	11.84	26	77	230/460	1.6	30
1	3600	56J	JM5250	328	K	12.03	24	80	230	3.2	30,80
		56J	JM3546	432	K	13.34	31	78.5	208-230/460	1.7	
	1800	56J	JM5450	348	K	12.03	25	78.5	208-230	3.6	30,80
		56J	JM3550	432	K	12.47	31	80	230/460	2.3	30
1 1/2	3600	56J	JM3550	432	K	12.47	31	80	230/460	2.3	30
	1800	56J	JM3554	475	K	12.74	32	78.5	208-230/460	2.5	
2	3600	56J	JM3555	548	K	13.74	40	80	230/460	2.7	30
	1800	56J	JM3558	530	K	13.74	41	82.5	208-230/460	3.1	
3	3600	56J	JM3559	595	K	13.74	44	82.5	208-230/460	3.8	1
<b>Stainless Steel Threaded Shaft, Foot Mounted</b>											
1/2	1800	56J	CJM3538	399	K	11.84	23	74	230/460	1	30
3/4	1800	56J	CJM3542	423	K	11.84	26	75.5	208-230/460	1.5	
		56J	CJM4450	304	K	12.50	25	72	208-230	2.9	80

(a) See notes on inside back flap and pages 5-6.

**Jet Pump,  
Three Phase,  
ODP**

**1/3 thru 3 Hp**

**NEMA 56J**

**Applications:** Residential and industrial pumps, swimming pool pumps, etc.

**Features:** Diecast aluminum end plates with machined steel bearing seat insert.



Hp	RPM	NEMA Frame	Catalog Number	List Price	Mult. Sym.	"C" Dim.	Aprx. Wt. (lb)	Full Load Efficiency	Voltage	Full Load Amps	Notes (a)
<b>Stainless Steel Threaded Shaft, Footless</b>											
1/3	3600	56J	JM225	216	K	11.58	23	64	230	1.6	30,80
		56J	JM3006	269	K	11.72	19	62	230/460	0.8	30
	1800	56J	JM245	228	K	11.58	26	64	230	1.6	30,80
		56J	JM3104	294	K	11.72	21	68	230/460	0.8	30
1/2	3600	56J	JM3107	284	K	11.72	22	70	230/460	1.2	30
		56J	JM325	236	K	11.58	22	70	230	2	30,80
	1800	56J	JM3108	340	K	11.85	22	74	230/460	1	30
		56J	JM345	263	K	11.58	20	72	230	2	30,80
3/4	3600	56J	JM3111	337	K	11.72	23	74	208-230/460	1.5	
		56J	JM425	247	K	11.58	23	72	230	3	30,80
	1800	56J	JM3112	375	K	12.34	26	75.5	208-230/460	1.5	
		56J	JM445	313	K	13.22	23	74	208-230	2.8	80
1	3600	56J	JM3115	375	K	12.34	26	77	230/460	1.6	30
		56J	JM525	281	K	11.83	27	80	230	3	30,80
	1800	56J	JM3116	411	K	13.22	29	78.5	208-230/460	1.7	1
		56J	JM545	320	K	13.22	31	74	208-230	3.6	80
1 1/2	3600	56J	JM3120	448	K	13.22	30	74	230/460	2.2	30
		56J	JM625	301	K	12.84	25	78.5	230/460	3.6	30,80
	1800	56J	JM3154	490	K	13.72	33	77	208-230/460	2.8	
		56J	JM3155	532	K	13.72	34	82.5	230/460	2.7	30
2	3600	56J	JM3157	537	K	13.74	28	78.5	208-230/460	3.2	
	1800	56J	JM3158	631	K	13.74	41	80	208-230/460	4	
3	3600	56J	JM3161	694	K	14.62	48	82.5	208-230/460	4.2	1
	1800	56J	JM3161	694	K	14.62	48	82.5	208-230/460	4.2	1
<b>Stainless Steel Threaded Shaft, Foot Mounted</b>											
1/3	3600	56J	CJM225	218	K	11.48	21	64	230	1.6	30,80
		56J	CJM3006	277	K	11.91	20	62	230/460	0.8	30
	1800	56J	CJM245	252	K	11.58	21	70	230/460	0.7	30,80
		56J	CJM3104	321	K	11.85	22	68	230/460	0.8	30
1/2	3600	56J	CJM3107	295	K	11.72	23	70	230/460	1.2	30
		56J	CJM325	228	K	11.58	20	70	230	2	30,80
	1800	56J	CJM3108	360	K	11.72	24	74	230/460	1	30
		56J	CJM345	297	K	11.58	21	72	230/460	1	30,80
3/4	3600	56J	CJM3111	337	K	11.72	24	74	208-230/460	1.5	
		56J	CJM425	261	K	11.58	22	72	230	3	30,80
	1800	56J	CJM3112	385	K	12.34	27	75.5	208-230/460	1.5	
		56J	CJM445	312	K	11.83	24	72	230/460	1.5	30,80
1	3600	56J	CJM3115	377	K	12.34	28	77	230/460	1.6	30
		56J	CJM525	291	K	11.83	28	80	230	3	30,80
1 1/2	3600	56J	CJM3120	459	K	13.22	31	81.5	230/460	2	30
2	3600	56J	CJM3155	546	K	13.72	36	82.5	230/460	2.7	30
3	3600	56J	CJM3158	646	K	13.74	42	80	208-230/460	4	

(a) See notes on inside back flap and pages 5-6.

All threaded shaft single phase motors are connected single rotation - CCW when viewing drive end.

**ALL ABOVE RATINGS CAN BE UL 1081 COMPLIANT THROUGH MOD EXPRESS. SEE THE MOD EXPRESS PROGRAM SECTION IN THIS CATALOG FOR MORE DETAILS.**

General Information

Premium Efficient Super-E® Motors

Single Phase Motors

General Purpose Industrial Motors

Severe Duty Motors

Washdown Duty Motors

Explosion Proof Motors

Pump Motors

Commercial Motors

HVAC Motors

BALDOR • RELIANCE®

## Explosion-Proof Jet Pump, Footless

1/2 thru 2 Hp

NEMA 56J

**Applications:** Pumping applications that require a hazardous location motor.



**Features:** Explosion proof per UL and CSA, Class I, Group D and Class II, Group F & G. UL approved conduit box mounted on motor. Epoxy paint. 1.00 Service Factor.

Hp	RPM	NEMA Frame	Catalog Number	XP <sup>(a)</sup> Cls/Grp	List Price	Mult. Sym.	"C" Dim.	Aprx. Wt. (lb)	Full Load Efficiency	Voltage	Full Load Amps	Notes <sup>(b)</sup>
<b>Single Phase</b>												
1/2	3600	56J	JL5003A	Ⓢ	581	K	14.79	37	55	115/230	3.9	12
3/4	3600	56J	JL5006A	Ⓢ	650	K	15.68	40	62	115/230	4.9	12
1	3600	56J	JL5009A	Ⓢ	697	K	15.68	48	66	115/230	6	12
1 1/2	3600	56J	JL5030	Ⓢ	897	K	15.68	52	70	115/208-230	7.5	12
2	3600	56J	JL5031	Ⓢ	974	K	16.56	59	74	115/208-230	11.5	12
<b>Three Phase</b>												
1	3600	56J	JM7013	Ⓢ	772	K	13.72	30	75.5	230/460	1.8	12
1 1/2	3600	56J	JM7018	Ⓢ	788	K	14.79	40	75.5	208-230/460	2.3	12
2	3600	56J	JM7071	Ⓢ	825	K	15.67	48	78.5	208-230/460	2.7	12

<sup>(a)</sup> See explosion proof symbols on inside back flap.

<sup>(b)</sup> See notes on inside back flap and pages 5-6.

## Square Flange Pump, Three Phase, ODP

1/3 thru 2 Hp

NEMA 56Y thru 56YZ

**Applications:** Pump applications where square flange mounting plate is required, such as swimming pools.



**Features:** Ball bearings, stainless steel shaft extension, long life windings.

Hp	RPM	NEMA Frame	Catalog Number	List Price	Mult. Sym.	"C" Dim.	Aprx. Wt. (lb)	Full Load Efficiency	Voltage	Full Load Amps	Notes <sup>(a)</sup>
<b>Single Phase</b>											
1/3	3600	56Y	JSL225A	318	K	11.41	21	72	115/230	2.3	30
1/2	3600	56Y	JSL325A	316	K	11.41	21	72	115/230	3.3	30
3/4	3600	56Y	JSL425A	335	K	11.91	26	64	115/230	5.1	30
1	3600	56Y	JSL525A	358	K	12.66	33	68	115/230	6.3	30
1 1/2	3600	56YZ	JSL625A	533	K	14.44	41	72	115/230	9	30
2	3600	56YZ	JSL725A	535	K	14.44	47	74	115/230	11	30
<b>Three Phase</b>											
1/2	3600	56YZ	JSM3107	284	K	11.40	21	70	230/460	1.2	30
3/4	3600	56YZ	JSM3111	336	K	11.40	23	74	208-230/460	1.5	
1	3600	56YZ	JSM3115	372	K	12.02	28	77	230/460	1.6	30
1 1/2	3600	56YZ	JSM3120	444	K	12.77	30	81.5	230/460	2	30
2	3600	56YZ	JSM3155	526	K	13.40	34	82.5	230/460	2.7	30

<sup>(a)</sup> See notes on inside back flap and pages 5-6.

General Information

Premium Efficient Super-E® Motors

Single Phase Motors

General Purpose Industrial Motors

Severe Duty Motors

Washdown Duty Motors

Explosion Proof Motors

Pump Motors

Commercial Motors

HVAC Motors

**PSC -  
Switchless Design,  
Single Phase, Open**

**1/3 thru 2 Hp**

**NEMA 56YZ**

**Applications:** Commercial, residential and swimming pool pumps, etc.



**Features:** 40°C ambient, 60 Hertz, aluminum endplates, automatic thermal overloads, ball bearings, capacitor start (single phase), high service factors, ground screw and shaft slinger. Ground screw in lead-end endplate. Termination panel with quick connection for easier installation. Stainless steel shaft extension for corrosion protection. Centrifugal switchless design for improved life and lower maintenance. Class B insulation.

Hp	RPM	NEMA Frame	Catalog Number	List Price	Mult. Sym.	"C" Dim.	Aprx. Wt. (lb)	Full Load Efficiency	Voltage	Full Load Amps	Service Factor
<b>Standard Service Factor</b>											
1/3	3600	56Y	JSC225A	313	K	11.41	17	62	115/230	1.8	1.35
1/2	3600	56Y	JSC325A	324	K	11.41	22	66	115/230	2.6	1.30
3/4	3600	56Y	JSC425A	346	K	12.16	26	68	115/230	3.7	1.25
1	3600	56Y	JSC525A	360	K	12.16	26	68	115/230	5.1	1.25
1 1/2	3600	56YZ	JSC625A	392	K	14.88	43	72	115/230	6.9	1.10
2	3600	56YZ	JSC725A	423	K	15.38	49	72	115/230	8.9	1.10
<b>High Service Factor</b>											
1/3	3600	56Y	JSCH325A	325	K	11.41	22	66	115/230	2.6	1.95
1/2	3600	56Y	JSCH425A	346	K	12.16	26	68	115/230	3.7	1.95
3/4	3600	56Y	JSCH525A	361	K	12.16	26	68	115/230	5.1	1.65
1	3600	56YZ	JSCH625A	392	K	14.88	43	72	115/230	6.9	1.65
1 1/2	3600	56YZ	JSCH725A	423	K	15.38	49	72	115/230	8.9	1.47

Data subject to change without notice. Contact Baldor for certified data.

General Information

Premium Efficient Super-E® Motors

Single Phase Motors

General Purpose Industrial Motors

Severe Duty Motors

Washdown Duty Motors

Explosion Proof Motors

Pump Motors

Commercial Motors

HVAC Motors

**BALDOR • RELIANCE**

**Close-Coupled Pump, 3 thru 10 Hp  
Single Phase,  
TEFC and ODP**

**NEMA 182 thru 215 (JM, JP, TCZ)**

**Applications:** Pumping systems where only single phase power is available.



**Features:** Heavy-gauge steel frame construction, corrosion resistant finish, ball bearings, suitable for mounting in any position.

Hp	RPM	NEMA Frame	Catalog Number	List Price	Mult. Sym.	"C" Dim.	Aprx. Wt. (lb)	Full Load Efficiency	Voltage	Full Load Amps	Notes (a)
<b>Totally Enclosed Fan Cooled, Mechanical Seal, Type JM</b>											
3	3600	182JM	JML3606T	871	L1	18.06	78	76	115/230	14.5	1,30
5	3600	184JM	JML3608T	1,161	L1	19.55	91	83	230	19.5	2,20
<b>Open Drip Proof, Mechanical Seal, Type JM</b>											
3	3600	182JM	JML1406T	831	L1	16.50	70	78	115/208-230	14	
	1800	184JM	JML1408T	953	L1	16.50	77	78	115/230	16	30
5	3600	184JM	JML1409T	1,174	L1	16.50	78	80	230	21.5	1,30
	1800	213JM	JML1508T	1,352	L1	18.19	118	77	230	27	
7 1/2	3600	213JM	JML1509T	1,684	L1	18.19	116	81	230	37	30
	1800	215JM	JML1510T	1,781	L1	19.31	137	85.5	230	31	30
10	3600	215JM	JML1511T	2,071	L1	19.31	139	83	230	46	1,30
	1800	215JM	JML1512T	2,204	L1	20.95	155	84	230	41	1,30
<b>Open Drip Proof, Packed Pump, Type JP</b>											
3	3600	182JP	JPL1406T	831	L1	19.57	71	78	115/230	14	30
	1800	182JP	JPL1408T	953	L1	19.57	81	78	115/230	16	30
5	3600	184JP	JPL1409T	1,174	L1	19.57	84	80	230	21.5	1,30
	1800	213JP	JPL1508T	1,352	L1	22.07	124	77	230	27	
7 1/2	3600	213JP	JPL1509T	1,684	L1	22.07	118	81	230	37	30
	1800	215JP	JPL1510T	1,781	L1	23.19	140	85.5	230	31	30
10	3600	215JP	JPL1511T	2,071	L1	23.19	145	83	230	46	1,30
	1800	215JP	JPL1512T	2,204	L1	20.95	157	84	230	41	1,30
<b>Open Drip Proof, West Coast Fit, Type TCZ</b>											
3	3600	182TCZ	WCL1406T	836	L1	12.38	78	78	115/230	14	30
	1800	184TCZ	WCL1408T	960	L1	12.38	88	78	115/230	16	30
5	3600	184TCZ	WCL1409T	1,184	L1	12.38	92	75	230	23	1,30
	1800	213TCZ	WCL1508T	1,364	L1	21.25	122	77	230	27	
7 1/2	3600	213TCZ	WCL1509T	1,695	L1	21.25	117	81	230	37	30
10	3600	215TCZ	WCL1511T	2,090	L1	22.38	139	83	230	46	1,30

(a) See notes on inside back flap and pages 5-6.

General Information

Premium Efficient Super-E® Motors

Single Phase Motors

General Purpose Industrial Motors

Severe Duty Motors

Washdown Duty Motors

Explosion Proof Motors

Pump Motors

Commercial Motors

HVAC Motors



**Close-Coupled Pump, 1 thru 75 Hp**  
**Three Phase, TEFC and ODP, C-Face**

**NEMA 143JM thru 365JP**

**Applications:** Applications for circulating and transferring fluids. Mounting designed to support pump unit.

**Features:** Over-sized ball bearings with locked drive end construction to minimize endplay. Open drip-proof, close coupled pump motors are furnished with rodent screens at both ends. EJMM Super-E® motors have NEMA Premium® efficiency.



Hp	RPM	NEMA Frame	Catalog Number	List Price	Mult. Sym.	"C" Dim.	Aprx. Wt. (lb)	Full Load Efficiency	Voltage	Full Load Amps	Notes (a)
<b>Totally Enclosed Fan Cooled, Foot Mounted</b>											
1	1800	143JM	<b>EJMM3546T</b>	696	L1	15.43	44	87.5	208-230/460	1.5	1
		143JM	<b>JMM3546T</b>	512	L1	15.43	36	77	208-230/460	1.7	
1 1/2	3600	143JM	<b>EJMM3550T</b>	691	L1	15.43	47	85.5	208-230/460	2	1
		143JM	<b>JMM3550T</b>	537	L1	15.43	37	75.5	208-230/460	2.3	
	1800	145JM	<b>EJMM3554T</b>	741	L1	16.31	49	88.5	208-230/460	2.1	1
		145JM	<b>JMM3554T</b>	537	L1	15.43	38	78.5	208-230/460	2.5	
		145JP	<b>JPM3554T</b>	537	L1	18.50	39	78.5	208-230/460	2.5	
2	3600	145JM	<b>EJMM3555T</b>	742	L1	16.31	54	86.5	208-230/460	2.5	1
		145JM	<b>JMM3555T</b>	599	L1	15.43	45	78.5	208-230/460	2.7	
		145JP	<b>JPM3555T</b>	599	L1	18.50	45	78.5	208-230/460	2.7	
	1800	145JM	<b>EJMM3558T</b>	757	L1	16.31	52	86.5	208-230/460	2.7	1
		145JM	<b>JMM3558T</b>	561	L1	15.43	47	82.5	208-230/460	3.1	
145JP	<b>JPM3558T</b>	561	L1	18.50	47	82.5	208-230/460	3.1			
3	3600	145JM	<b>EJMM3559T</b>	797	L1	17.68	61	87.5	208-230/460	3.5	1
		145JM	<b>JMM3559T</b>	672	L1	15.43	50	82.5	208-230/460	3.8	1
		145JP	<b>JPM3559T</b>	672	L1	18.50	51	82.5	208-230/460	3.8	1
		182JM	<b>EJMM3610T</b>	798	L1	18.19	66	87.5	208-230/460	3.5	1
		182JM	<b>JMM3610T</b>	697	L1	16.81	53	82.5	208-230/460	3.8	1
	182JP	<b>JPM3610T</b>	697	L1	19.87	55	82.5	208-230/460	3.8	1	
	1800	182JM	<b>EJMM3611T</b>	878	L1	18.06	75	89.5	208-230/460	4.1	1
182JM		<b>JMM3611T</b>	672	L1	16.69	69	82.5	208-230/460	4.3	1	
182JP		<b>JPM3611T</b>	672	L1	23.64	74	82.5	208-230/460	4.3	1	
5	3600	184JM	<b>EJMM3613T</b>	947	L1	18.06	81	90.2	208-230/460	5.6	1
		184JM	<b>JMM3613T</b>	860	L1	18.06	76	85.5	208-230/460	6	1
		184JP	<b>JPM3613T</b>	860	L1	21.43	77	85.5	208-230/460	6	1
	1800	184JM	<b>EJMM3615T</b>	881	L1	19.56	95	90.2	230/460	6.5	1,30
		184JM	<b>JMM3615T</b>	751	L1	18.06	78	85.5	208-230/460	6.6	1
184JP	<b>JPM3615T</b>	751	L1	21.43	82	85.5	208-230/460	6.6	1		
7 1/2	3600	184JM	<b>JMM3616T</b>	973	L1	19.56	91	87.5	208-230/460	8.6	2,20
		184JP	<b>JPM3616T</b>	973	L1	22.93	91	87.5	208-230/460	8.6	2,20
		213JM	<b>EJMM3709T</b>	1,240	L1	19.81	142	91	230/460	8.9	1
		213JM	<b>JMM3709T</b>	1,096	L1	19.81	109	84	208-230/460	9.4	1
		213JP	<b>JPM3709T</b>	1,096	L1	23.64	110	84	208-230/460	9.4	1
	213TCZ	<b>WCM3709T</b>	1,071	L1	22.82	108	84	208-230/460	9.4	1	
	1800	213JM	<b>EJMM3710T</b>	1,341	L1	20.94	136	91.7	230/460	9.4	1,30
		213JM	<b>JMM3710T</b>	961	L1	19.81	124	87.5	208-230/460	10.9	1
213JP		<b>JPM3710T</b>	983	L1	23.66	124	87.5	208-230/460	10.9	1	
213TCZ	<b>WCM3710T</b>	961	L1	22.82	123	87.5	208-230/460	10.9	1		
10	3600	215JM	<b>EJMM3711T</b>	1,425	L1	20.94	154	91.7	230/460	11.2	1,30
		215JM	<b>JMM3711T</b>	1,311	L1	19.81	131	87.5	208-230/460	11.9	1
		215JP	<b>JPM3711T</b>	1,311	L1	23.64	133	87.5	208-230/460	11.9	1
		215TCZ	<b>WCM3711T</b>	1,281	L1	22.82	129	87.5	208-230/460	11.9	1
	1800	215JP	<b>EJPM3714T</b>	1,576	L1	26.27	165	92.4	208-230/460	12.5	1
		215JM	<b>EJMM3714T</b>	1,576	L1	22.44	158	92.4	208-230/460	12.5	1
		215JM	<b>JMM3714T</b>	1,213	L1	20.94	137	89.5	208-230/460	13.5	1
215JP	<b>JPM3714T</b>	1,213	L1	24.79	140	89.5	208-230/460	13.5	1		
215TCZ	<b>WCM3714T</b>	1,187	L1	23.95	137	89.5	208-230/460	13.5	1		

(a) See notes on inside back flap and pages 5-6.

General Information

Premium Efficient Super-E® Motors

Single Phase Motors

General Purpose Industrial Motors

Severe Duty Motors

Washdown Duty Motors

Explosion Proof Motors

Pump Motors

Commercial Motors

HVAC Motors

Close-Coupled Pump, Three Phase, TEFC and ODP, C-Face

Hp	RPM	NEMA Frame	Catalog Number	List Price	Mult. Sym.	"C" Dim.	Aprx. Wt. (lb)	Full Load Efficiency	Voltage	Full Load Amps	Notes (a)
<b>Totally Enclosed Fan Cooled, Foot Mounted (continued)</b>											
15	3600	215JM	JMM3713T	1,728	L1	20.94	159	86.5	208-230/460	17	2,20
		215JP	JPM3713T	1,728	L1	24.77	154	86.5	208-230/460	17	2,20
		215TCZ	WCM3713T	1,528	L1	23.95	160	86.5	208-230/460	17	2,20
		254JM	EJMM2394T	2,603	L1	25.16	248	91.7	230/460	17.2	1,30
		254JP	EJPM2394T	2,603	L1	27.70	270	91.7	230/460	17.2	1,30
		254JM	JMM2394T	2,273	L1	23.07	219	86.5	208-230/460	17.5	1
	1800	254JP	JPM2394T	2,273	L1	25.95	223	86.5	208-230/460	17.5	1
		254JM	EJMM2333T	2,580	L1	25.16	255	92.4	230/460	18.5	1,30
		254JP	EJPM2333T	2,580	L1	27.70	255	92.4	230/460	18.5	1,30
		254JM	JMM2333T	2,216	L1	23.07	233	89.5	208-230/460	18.9	1
20	3600	256JM	EJMM4106T	2,866	L1	25.16	282	92.4	230/460	22.5	1,30
		256JP	EJPM4106T	2,866	L1	27.70	265	92.4	230/460	22.5	1,30
		256JM	JMM4106T	2,501	L1	24.83	260	88.5	208-230/460	23	1
		256JP	JPM4106T	2,501	L1	27.70	261	88.5	208-230/460	23	1
	1800	256JM	EJMM2334T	2,911	L1	25.16	303	93	230/460	24	1,30
		256JP	EJPM2334T	2,911	L1	27.70	303	93	230/460	24	1,30
		256JM	JMM2334T	2,346	L1	24.82	280	91	230/460	25	1,30
		256JP	JPM2334T	2,346	L1	27.70	283	91	230/460	25	1,30
		284JM	EJMM4107T	3,331	L1	26.84	383	93	230/460	28	1,30
		284JP	EJPM4107T	3,331	L1	29.72	286	93	230/460	28	1,30
25	3600	284JM	JMM4107T	2,810	L1	26.84	378	90.2	230/460	28	1,30
		284JP	JPM4107T	2,810	L1	29.72	282	90.2	230/460	28	1,30
		284JM	EJMM4103T	3,450	L1	28.64	418	93.6	230/460	30	1,30
		284JP	EJPM4103T	3,450	L1	29.72	410	93.6	230/460	30	1,30
	1800	284JM	JMM4103T	2,742	L1	26.84	372	92.4	230/460	30	1,30
		284JP	JPM4103T	2,742	L1	29.72	310	92.4	230/460	30	1,30
		286JM	EJMM4108T	4,581	L1	28.64	382	93	230/460	33	1
		286JP	EJPM4108T	4,581	L1	29.72	435	93	230/460	33	1
		286JM	JMM4108T	3,677	L1	26.84	380	91	230/460	34	1,30
		286JP	JPM4108T	3,677	L1	29.72	297	91	208-230/460	34	1
30	3600	286JM	EJMM4104T	4,088	L1	28.64	451	94.1	230/460	36	1,30
		286JP	EJPM4104T	4,088	L1	29.72	460	94.1	230/460	36	1,30
		286JM	JMM4104T	3,378	L1	26.84	335	92.4	230/460	36	1,30
		286JP	JPM4104T	3,378	L1	29.72	322	92.4	230/460	36	1,30
	1800	324JM	EJMM4109T	5,188	L1	30.53	517	93.6	230/460	44	1,30
		324JP	EJPM4109T	5,188	L1	33.51	489	93.6	230/460	44	1,30
		324JM	JMM4109T	4,414	L1	30.64	511	91.7	230/460	45	1,30
		324JP	JPM4109T	4,414	L1	33.51	519	91.7	230/460	45	1,30
		324JM	EJMM4110T	5,315	L1	30.53	617	94.5	230/460	46	1,30
		324JP	EJPM4110T	5,315	L1	33.51	618	94.5	230/460	46	1,30
40	3600	324JM	JMM4110T	4,255	L1	30.64	535	93	230/460	47	1
		324JP	JPM4110T	4,255	L1	33.51	500	93	230/460	47	1
		326JM	EJMM4114T	6,278	L1	30.53	575	94.1	230/460	54	1,30
		326JP	EJPM4114T	6,278	L1	33.51	630	94.1	230/460	54	1,30
	1800	326JM	JMM4114T	4,815	L1	30.64	470	92.4	230/460	56	1,30
		326JP	JPM4114T	4,815	L1	33.51	550	92.4	230/460	56	1,30
		326JM	EJMM4115T	6,388	L1	30.53	633	94.5	230/460	57	1,30
		326JP	EJPM4115T	6,388	L1	33.51	635	94.5	230/460	57	1,30
		326JM	JMM4115T	4,988	L1	30.53	550	91	230/460	60	1,30
		326JP	JPM4115T	4,988	L1	33.41	556	91	230/460	60	1,30
<b>Totally Enclosed Fan Cooled, Footless</b>											
1	1800	143JM	VEJMM3546T	581	L1	15.43	41	87.5	208-230/460	1.5	1
		143JM	VJMM3546T	521	L1	14.43	32	77	208-230/460	1.7	
1 1/2	1800	145JM	VEJMM3554T	613	L1	16.31	43	88.5	208-230/460	2.1	1
		145JM	VJMM3554T	546	L1	14.43	34	78.5	208-230/460	2.5	
2	1800	145JM	VEJMM3558T	734	L1	16.31	49	86.5	208-230/460	2.5	1
		145JM	VJMM3558T	571	L1	15.43	42	82.5	208-230/460	3.1	
3	1800	182JM	VEJMM3611T	838	L1	18.05	70	89.5	208-230/460	4.1	1
		182JM	VJMM3611T	682	L1	16.83	65	82.5	208-230/460	4.3	1

(a) See notes on inside back flap and pages 5-6. ■ Cast Iron Frame

Close-Coupled Pump, Three Phase, TEFC and ODP, C-Face

Hp	RPM	NEMA Frame	Catalog Number	List Price	Mult. Sym.	"C" Dim.	Aprx. Wt. (lb)	Full Load Efficiency	Voltage	Full Load Amps	Notes (a)
<b>Totally Enclosed Fan Cooled, Footless (continued)</b>											
5	1800	184JM	<b>VEJMM3615T</b>	967	L1	19.70	90	90.2	208-230/460	6.5	1
		184JM	<b>VJMM3615T</b>	765	L1	18.05	76	85.5	208-230/460	6.6	1
7 1/2	1800	213JM	<b>VEJMM3710T</b>	1,416	L1	20.92	128	91.7	230/460	9.4	1,30
		213JM	<b>VJMM3710T</b>	993	L1	19.76	117	89.5	208-230/460	10.1	1
10	1800	215JM	<b>VEJMM3714T</b>	1,640	L1	22.40	158	92.4	230/460	12.5	1,30
		215JM	<b>VJMM3714T</b>	1,226	L1	20.92	128	89.5	208-230/460	13.5	1
15	1800	254JM	<b>VJMM2333T</b>	2,236	L1	21.82	200	89.5	208-230/460	18.9	1
20	1800	256JM	<b>VJMM2334T</b>	2,311	L1	25.16	257	91	230/460	24	1,30
<b>Open Drip Proof, Foot Mounted</b>											
1	1800	143JM	<b>EJMM3116T</b>	595	L1	13.75	37	85.5	208-230/460	1.4	1
		143JM	<b>JMM3116T</b>	473	L1	13.75	31	77	208-230/460	1.7	
		143JP	<b>JPM3116T</b>	473	L1	16.81	33	77	208-230/460	1.7	
1 1/2	3600	143JM	<b>JMM3120T</b>	492	L1	13.75	35	75.5	208-230/460	2.3	
	1800	145JM	<b>EJMM3154T</b>	643	L1	14.25	43	88.5	208-230-460	2.1	1
		145JM	<b>JMM3154T</b>	467	L1	13.75	38	78.5	208-230/460	2.4	
		145JP	<b>JPM3154T</b>	467	L1	16.81	36	78.5	208-230/460	2.4	
2	3600	145JM	<b>EJMM3155T</b>	712	L1	13.75	45	86.5	208-230/460	2.5	1
		145JM	<b>JMM3155T</b>	545	L1	13.75	34	75.5	208-230/460	3	
	1800	145JM	<b>EJMM3157T</b>	705	L1	15.13	51	86.5	208-230/460	2.7	1
		145JM	<b>JMM3157T</b>	534	L1	13.75	38	78.5	208-230/460	3.2	
		145JP	<b>JPM3157T</b>	534	L1	16.81	39	78.5	208-230/460	3.2	
3	3600	145JM	<b>EJMM3158T</b>	799	L1	15.13	54	87.5	230/460	3.7	1,30
		145JM	<b>JMM3158T</b>	578	L1	13.75	43	80	208-230/460	4	
		145JP	<b>JPM3158T</b>	578	L1	16.81	44	80	208-230/460	4	
	1800	182JM	<b>EJMM3211T</b>	779	L1	16.50	69	90.2	230/460	4	1,30
182JM		<b>JMM3211T</b>	573	L1	15.63	60	82.5	208-230/460	4.1	1	
182JP		<b>JPM3211T</b>	573	L1	18.69	62	82.5	208-230/460	4.1	1	
5	3600	182JM	<b>EJMM3212T</b>	953	L1	16.50	76	91	208-230/460	5.6	1
		182JM	<b>JMM3212T</b>	650	L1	15.12	62	84	208-230/460	6	
		182JP	<b>JPM3212T</b>	650	L1	18.18	63	84	208-230/460	6	
		182TCZ	<b>WCM3212T</b>	637	L1	18.32	71	84	208-230/460	6	
	1800	184JM	<b>EJMM3218T</b>	881	L1	18.00	90	90.2	230/460	6.6	1,30
		184JM	<b>JMM3218T</b>	620	L1	16.50	64	82.5	208-230/460	7	1
		184JP	<b>JPM3218T</b>	620	L1	19.56	66	82.5	208-230/460	7	1
7 1/2	3600	184JM	<b>EJMM3219T</b>	1,126	L1	18.00	91	90.2	208-230/460	8.4	1
		184JM	<b>JMM3219T</b>	795	L1	16.50	69	84	208-230/460	9	1
		184JP	<b>JPM3219T</b>	795	L1	19.56	71	84	208-230/460	9	1
		184TCZ	<b>WCM3219T</b>	775	L1	19.69	81	84	208-230/460	9	1
	1800	213JM	<b>EJMM3311T</b>	1,322	L1	18.19	116	91.7	230/460	9.6	1,30
		213JM	<b>JMM3311T</b>	900	L1	18.19	101	85.5	208-230/460	10.4	
		213JP	<b>JPM3311T</b>	900	L1	22.09	103	85.5	208-230/460	10.4	
10	3600	213JM	<b>EJMM3312T</b>	1,451	L1	19.31	136	91.7	230/460	11.5	1,30
		213JP	<b>EJPM3312T</b>	1,451	L1	22.07	129	91.7	230/460	11.5	1,30
		213JM	<b>JMM3312T</b>	1,081	L1	18.19	96	82.5	208-230/460	12.5	
		213JP	<b>JPM3312T</b>	1,081	L1	20.94	97	82.5	208-230/460	12.5	
		213TCZ	<b>WCM3312T</b>	1,057	L1	21.25	97	82.5	208-230/460	12.5	
	1800	215JM	<b>EJMM3313T</b>	1,430	L1	19.31	163	91.7	230/460	12.5	1,30
215JP		<b>EJPM3313T</b>	1,430	L1	22.07	136	91.7	230/460	12.5	1,30	
215JP		<b>JPM3313T</b>	1,069	L1	22.10	119	89.5	208-230/460	13.4		
15	3600	215JM	<b>JMM3313T</b>	1,069	L1	18.19	110	87.5	208-230/460	13.4	
		215JM	<b>EJMM3314T</b>	1,867	L1	19.31	147	91.7	230/460	17	1,30
		215JP	<b>EJPM3314T</b>	1,867	L1	22.07	154	91.7	230/460	17	1,30
		215JM	<b>JMM3314T</b>	1,453	L1	19.78	117	85.5	208-230/460	18	1
	1800	215JP	<b>JPM3314T</b>	1,453	L1	23.69	124	85.5	208-230/460	18	1
		254JM	<b>EJMM2513T</b>	2,115	L1	23.19	234	93	230/460	17.7	1,30
		254JP	<b>EJPM2513T</b>	2,115	L1	26.06	242	93	230/460	17.7	1,30
		254JM	<b>JMM2513T</b>	1,597	L1	21.06	190	91	208-230/460	19	1
		254JP	<b>JPM2513T</b>	1,597	L1	23.94	156	91	208-230/460	19	1

(a) See notes on inside back flap and pages 5-6.

■ Cast Iron Frame

General Information

Premium Efficient Super-E® Motors

Single Phase Motors

General Purpose Industrial Motors

Severe Duty Motors

Washdown Duty Motors

Explosion Proof Motors

Pump Motors

Commercial Motors

HVAC Motors

Close-Coupled Pump, Three Phase, TEFC and ODP, C-Face

Hp	RPM	NEMA Frame	Catalog Number	List Price	Mult. Sym.	"C" Dim.	Aprx. Wt. (lb)	Full Load Efficiency	Voltage	Full Load Amps	Notes (a)
<b>Open Drip Proof, Foot Mounted (continued)</b>											
20	3600	254JM	<b>EJMM2514T</b>	2,351	L1	23.19	186	92.4	230/460	22.5	1,30
		254JP	<b>EJPM2514T</b>	2,351	L1	26.06	221	92.4	230/460	22.5	1,30
		254JM	<b>JMM2514T</b>	1,919	L1	23.19	213	90.2	208-230/460	24	
		254JP	<b>JPM2514T</b>	1,919	L1	26.06	209	90.2	230/460	24	30
	1800	256JM	<b>EJMM2515T</b>	2,533	L1	23.19	237	93	230/460	23.5	1,30
		256JP	<b>EJPM2515T</b>	2,533	L1	26.06	234	93	230/460	23.5	1,30
		256JM	<b>JMM2515T</b>	1,937	L1	23.56	208	91.7	230/460	24	30
		256JP	<b>JPM2515T</b>	1,937	L1	26.44	217	91.7	230/460	24	30
25	3600	256JM	<b>EJMM2516T</b>	2,787	L1	23.19	242	93	230/460	28	1,30
		256JP	<b>EJPM2516T</b>	2,787	L1	26.06	252	93	230/460	28	1,30
		256JM	<b>JMM2516T</b>	2,377	L1	23.19	177	88.5	230/460	30	30
		256JP	<b>JPM2516T</b>	2,377	L1	26.06	177	88.5	230/460	30	30
	1800	284JP	<b>EJPM2531T</b>	3,013	L1	27.57	330	94.1	230/460	30	1,30
		284JM	<b>JMM2531T</b>	2,400	L1	25.06	290	88.5	230/460	32.5	30
		284JP	<b>JPM2531T</b>	2,400	L1	27.94	303	88.5	230/460	32.5	30
		284JM	<b>EJMM2534T</b>	3,543	L1	24.69	330	93.6	230/460	34	1
30	3600	284JP	<b>EJPM2534T</b>	3,543	L1	29.44	248	93.6	230/460	34	1
		284JM	<b>JMM2534T</b>	2,438	L1	25.06	286	91	230/460	35	30
		284JP	<b>JPM2534T</b>	2,438	L1	27.94	307	91	230/460	35	30
		286JP	<b>EJPM2535T</b>	3,610	L1	28.82	378	94.1	230/460	35	1,30
	1800	286JM	<b>JMM2535T</b>	2,751	L1	26.56	314	92.4	230/460	36	30
		286JP	<b>JPM2535T</b>	2,751	L1	29.44	322	92.4	230/460	36	30
		286JM	<b>EJMM2538T</b>	4,266	L1	25.94	377	94.1	230/460	45	1
		286JP	<b>EJPM2538T</b>	4,266	L1	29.44	279	94.1	230/460	45	1
40	3600	286JM	<b>JMM2538T</b>	3,582	L1	26.56	331	91.7	230/460	45	30
		286JP	<b>JPM2538T</b>	3,582	L1	29.44	342	91.7	230/460	45	30
		324JP	<b>EJPM2539T</b>	4,388	L1	29.82	475	94.5	230/460	46	1,30
		324JM	<b>JMM2539T</b>	3,568	L1	21.19	409	90.2	230/460	51	1,30
	1800	324JP	<b>EJPM2539T</b>	3,568	L1	29.32	367	90.2	230/460	51	1,30
		324JM	<b>JMM2542T</b>	4,809	L1	27.44	447	94.1	230/460	55	1
		324JP	<b>EJPM2542T</b>	4,809	L1	30.32	383	94.1	230/460	55	1
		324JM	<b>JMM2542T</b>	3,897	L1	21.19	377	89.5	230/460	59	
50	3600	324JP	<b>JPM2542T</b>	3,897	L1	29.32	367	89.5	230/460	59	
		326JP	<b>EJPM2543T</b>	5,074	L1	30.82	474	95	230/460	57	1,30
		326JM	<b>JMM2543T</b>	4,059	L1	27.44	378	91.7	230/460	61	30
	1800	326JP	<b>JPM2543T</b>	4,059	L1	30.32	408	91.7	230/460	61	30
		326JM	<b>JMM2546T</b>	4,850	L1	21.19	403	93	230/460	68	30
		364JP	<b>JPM2547T</b>	4,611	L1	32.44	505	93.6	230/460	72	30
75	1800	365JP	<b>JPM2551T</b>	6,055	L1	32.44	528	94.1	230/460	88	30
<b>Open Drip Proof, Footless</b>											
1	1800	143JM	<b>VEJMM3116T</b>	595	L1	15.43	40	86.5	208-230/460	1.4	1
		143JM	<b>VJMM3116T</b>	467	L1	14.43	35	77	208-230/460	1.7	
1 1/2	1800	145JM	<b>VEJMM3154T</b>	638	L1	16.31	49	86.5	208-230/460	2	1
		145JM	<b>VJMM3154T</b>	474	L1	14.43	36	78.5	208-230/460	2.4	
2	1800	145JM	<b>VEJMM3157T</b>	698	L1	16.31	50	86.5	208-230/460	2.7	1
		145JM	<b>VJMM3157T</b>	529	L1	15.43	40	78.5	208-230/460	3.2	
3	3600	145JM	<b>VJMM3158T</b>	588	L1	15.43	44	80	208-230/460	4	
	1800	182JM	<b>VEJMM3211T</b>	766	L1	18.06	74	90.2	230/460	4	1,30
		182JM	<b>VJMM3211T</b>	578	L1	16.84	57	82.5	208-230/460	4.1	1
5	3600	182JM	<b>VJMM3212T</b>	681	L1	18.06	60	84	208-230/460	5.7	
	1800	184JM	<b>VEJMM3218T</b>	867	L1	18.06	87	90.2	230/460	6.6	1,30
		184JM	<b>VJMM3218T</b>	618	L1	18.06	67	82.5	208-230/460	7	
7 1/2	3600	184JM	<b>VJMM3219T</b>	802	L1	18.06	78	85.5	208-230/460	9	
	1800	213JM	<b>VEJMM3311T</b>	1,308	L1	19.78	119	91.7	230/460	9.6	1,30
		213JM	<b>VJMM3311T</b>	903	L1	19.78	100	85.5	208-230/460	10.4	
10	3600	213JM	<b>VJMM3312T</b>	1,006	L1	18.16	91	82.5	208-230/460	12.5	
	1800	215JM	<b>VEJMM3313T</b>	1,416	L1	22.41	158	92.4	208-230/460	12.5	1
		215JM	<b>VJMM3313T</b>	1,057	L1	19.78	109	89.5	208-230/460	13.4	
15	3600	215JM	<b>VJMM3314T</b>	1,357	L1	19.78	114	85.5	208-230/460	18	1
		215TCZ	<b>WCM3314T</b>	1,426	L1	22.87	115	85.5	208-230/460	18	1

(a) See notes on inside back flap and pages 5-6. ■ Cast Iron Frame

**Washdown  
Close-Coupled Pump,  
Three Phase,  
Totally Enclosed**

**1 thru 15 Hp**

**NEMA 143JM thru 215JM**

**Applications:** Commercial and industrial water pumps, food processing and applications that expose the motor to high pressure washdown.

**Features:** Over-sized ball bearings with locked drive end construction for minimum shaft movement. Moisture sealant on bolt heads, between frame and endplates. Neoprene gaskets. V-Ring running contact v-ring slinger. Stainless steel shaft extension. Electrostatic epoxy coating. Tropicalized.



Hp	RPM	NEMA Frame	Enclosure	Catalog Number	List Price	Mult. Sym.	"C" Dim.	Aprx. Wt. (lb)	Full Load Efficiency	Voltage	Full Load Amps	Notes (a)
1	1800	143JM	TENV	JMWDM3546T	743	WD	14.25	42	81.5	208-230/460	1.6	1
	3600	143JM	TEFC	JMWDM3550T	778	WD	15.43	37	75.5	230/460	2.3	1
1 1/2	1800	145JM	TENV	JMWDM3554T	778	WD	15.13	49	82.5	208-230/460	2.1	2,20
	3600	145JM	TEFC	JMWDM3555T	865	WD	15.43	44	78.5	208-230/460	2.7	1
2	1800	145JM	TEFC	JMWDM3558T	813	WD	15.43	44	82.5	208-230/460	3.1	1
	3600	145JM	TEFC	JMWDM3559T	973	WD	15.43	49	82.5	208-230/460	3.8	1
3	1800	182JM	TEFC	JMWDM3611T	973	WD	16.67	56	82.5	208-230/460	4.3	1
	3600	184JM	TEFC	JMWDM3613T	1,248	WD	18.05	77	85.5	208-230/460	6	1
5	1800	184JM	TEFC	JMWDM3615T	1,089	WD	18.05	85	85.5	208-230/460	6.6	1
	3600	184JM	TEFC	JMWDM3616T	1,414	WD	19.55	94	87.5	208-230/460	8.6	2,20
7 1/2	1800	213JM	TEFC	JMWDM3710T	1,393	WD	19.78	123	87.5	208-230/460	10.9	1
	3600	215JM	TEFC	JMWDM3711T	1,900	WD	19.78	132	87.5	208-230/460	11.9	1
10	1800	215JM	TEFC	JMWDM3714T	1,760	WD	20.91	141	89.5	208-230/460	13.5	2,20
	3600	215JM	TEFC	JMWDM3713T	2,264	WD	20.91	154	86.5	230/460	17	2,8

(a) See notes on inside back flap and pages 5-6.

**Close-Coupled Pump,  
Three Phase,  
Explosion Proof**

**3 thru 10 Hp**

**NEMA 145JM thru 215JM**

**Applications:** Applications for circulating and transferring fluids in hazardous locations.

**Features:** C-face with base. Corrosion resistant epoxy finish, rotors corrosion treated and precision balanced to insure smooth operation. 1.00 Service Factor. Class I, Group D only, T2C.



Hp	RPM	NEMA Frame	Catalog Number	XP (a) Cls/Grp	List Price	Mult. Sym.	"C" Dim.	Aprx. Wt. (lb)	Full Load Efficiency	Voltage	Full Load Amps	Notes (a)
3	3600	145JM	JMM7075T	Ⓢ	1,142	L1	17.80	65	82.5	208-230/460	3.8	
		182JM	JMM7026T	Ⓢ	1,142	L1	19.00	84	81.5	208-230/460	3.9	
5	3600	184JM	JMM7072T	Ⓢ	1,544	L1	20.38	101	85.5	208-230/460	6	
7 1/2	3600	184JM	JMM7073T	Ⓢ	1,736	L1	21.88	118	87.5	208-230/460	8.6	
		213JM	JMM7045T	Ⓢ	2,035	L1	20.05	146	84	230/460	9.3	
10	3600	215JM	JMM7074T	Ⓢ	2,305	L1	21.19	171	86.5	230/460	12	

(a) See explosion proof symbols on inside back flap.

(b) See notes on inside back flap and pages 5-6.

**CAUTION:** Explosion-proof motors have a tight fit between mating parts to ensure the integrity of the explosion-proof enclosure. This can lead to an accumulation of moisture inside the motors due to condensation. Care should be used when selecting an explosion-proof motor, especially when installed outdoors and on intermittent duty. The Explosion-proof motors are not suitable for use with adjustable speed drives. Inverter Duty Explosion-proof motors must be used. See page 206.

General Information

Premium Efficient Super-E® Motors

Single Phase Motors

General Purpose Industrial Motors

Severe Duty Motors

Washdown Duty Motors

Explosion Proof Motors

Pump Motors

Commercial Motors

HVAC Motors



**P-Base Vertical Solid Shaft Pump, Three Phase, TEFC, 1.15 Service Factor**

**NEMA 182LP thru 365VP**

**Applications:** For normal medium and high thrust in-line pump applications. Waste water treatment plants, petro chemical industries, pulp and paper mills and agricultural irrigation applications.

**Features:** Severe duty construction with corrosion-resistant epoxy finish, cast-iron construction, designed for vertical mounting. Rotatable conduit box, stainless steel nameplates, shaft seals. Energy efficient windings. Two lifting lugs for balanced lifting. VHECP motors have NEMA Premium® efficiency and are Inverter-Ready. 1.15 Service Factor.



General Information

Premium Efficient Super-E® Motors

Single Phase Motors

General Purpose Industrial Motors

Severe Duty Motors

Washdown Duty Motors

Explosion Proof Motors

Pump Motors

Commercial Motors

HVAC Motors

Hp	RPM	NEMA Frame	Catalog Number	List Price	Mult. Sym.	"C" Dim.	Aprx. Wt. (lb)	Full Load Efficiency	Voltage	Full Load Amps	Notes (a)
<b>Super-E Efficiency, Normal Thrust</b>											
3	3600	182HP	VHECP3660T	2,016	SD	22.18	120	89.5	230/460	3.5	1
	1800	182HP	VHECP3661T	1,805	SD	22.18	121	89.5	230/460	4	1,30
5	3600	184HP	VHECP3663T	2,604	SD	22.18	128	90.2	230/460	5.7	1
	1800	184HP	VHECP3665T	2,404	SD	22.18	142	90.2	230/460	6.5	1,30
7 1/2	3600	213HP	VHECP3769T	3,083	SD	22.33	173	91	230/460	8.6	1,30
	1800	213HP	VHECP3770T	2,984	SD	22.33	170	91.7	230/460	9.5	1
10	3600	215HP	VHECP3771T	3,215	SD	22.33	203	91.7	230/460	11.2	1,30
	1800	215HP	VHECP3774T	3,348	SD	22.33	231	92.4	230/460	12.5	1
15	3600	254HP	VHECP2394T	3,706	SD	25.73	285	91.7	230/460	17.2	1,30
	1800	254HP	VHECP2333T	3,842	SD	25.73	255	92.4	230/460	18.5	1,30
20	3600	256HP	VHECP4106T	4,031	SD	25.73	265	92.4	230/460	23	1,30
	1800	256HP	VHECP2334T	4,363	SD	25.73	303	93	230/460	24	1,30
25	3600	284HP	VHECP4107T	4,286	SD	25.72	335	93	230/460	28	1,30
	1800	284HP	VHECP4103T	4,868	SD	30.69	462	93.6	230/460	30	1,30
30	3600	286HP	VHECP4108T	4,720	SD	25.72	325	93	230/460	33	1,30
	1800	286HP	VHECP4104T	5,463	SD	30.69	506	94.1	230/460	36	1,30
40	3600	324HP	VHECP4109T	6,606	SD	34.72	612	93.6	230/460	45	1,30
	1800	324HP	VHECP4110T	6,178	SD	34.72	670	94.5	230/460	46	1,30
50	3600	326HP	VHECP4114T	8,096	SD	34.72	641	94.1	230/460	54	1,30
	1800	326HP	VHECP4115T	8,728	SD	34.72	717	94.5	230/460	57	1,30
60	3600	364HP	VHECP4310T	10,343	SD	38.04	881	94.1	230/460	68	1,30
	1800	364HP	VHECP4314T	10,797	SD	38.04	885	95	230/460	69	1,30
75	3600	365HP	VHECP4313T	12,923	SD	38.04	953	94.5	230/460	83	1
	1800	365HP	VHECP4316T	13,149	SD	38.04	973	95.4	230/460	86.5	1,30
<b>Standard Efficiency, Medium Thrust</b>											
3	3600	182LP	VLCP3660T	1,930	SD	22.18	107	80	208-230/460	3.9	1
	1800	182LP	VLCP3661T	1,726	SD	22.18	117	84	208-230/460	4.3	1
5	3600	184LP	VLCP3663T	2,491	SD	22.18	129	86	208-230/460	6	1
	1800	184LP	VLCP3665T	2,299	SD	22.18	128	85.5	208-230/460	6.6	1
7 1/2	3600	213LP	VLCP3769T	2,950	SD	22.33	190	84	208-230/460	9.1	1
	1800	213LP	VLCP3770T	2,853	SD	22.33	195	89.5	208-230/460	10.3	1
10	3600	215LP	VLCP3771T	3,077	SD	22.33	200	85.5	208-230/460	12	1
	1800	215LP	VLCP3774T	3,202	SD	22.33	206	88.5	208-230/460	13.8	1
15	3600	254LP	VLCP2394T	3,544	SD	22.33	212	86.5	208-230/460	17.5	1
	1800	254LP	VLCP2333T	3,675	SD	22.33	227	89.5	208-230/460	18.9	1
20	3600	256LP	VLCP4106T	3,870	SD	25.72	308	89.5	230/460	23	1,30
	1800	256LP	VLCP2334T	4,171	SD	25.72	280	91	230/460	24	1,30
25	3600	284LP	VLCP4107T	4,100	SD	27.47	476	90.2	230/460	28	1,30
	1800	286LP	VLCP4103T	4,655	SD	27.47	310	92.4	230/460	30	1,30
30	3600	286LP	VLCP4108T	4,512	SD	27.47	496	91	208-230/460	34	1
	1800	286LP	VLCP4104T	5,224	SD	27.47	315	91.7	230/460	35	1,30
40	3600	324LP	VLCP4109T	6,317	SD	34.72	624	91.7	230/460	45	1,30
	1800	324LP	VLCP4110T	5,908	SD	34.72	640	93	230/460	47	1,30

(a) See notes on inside back flap and pages 5-6.

Cast Iron Frame

See Bearing Load notes at bottom of page 109. Contact Baldor for information on larger API and high thrust vertical pump motors.

# P-Base Vertical Solid Shaft Pump, Three Phase, TEFC, 1.15 Service Factor

Hp	RPM	NEMA Frame	Catalog Number	List Price	Mult. Sym.	"C" Dim.	Aprx. Wt. (lb)	Full Load Efficiency	Voltage	Full Load Amps	Notes (a)
<b>Standard Efficiency, High Thrust</b>											
50	3600	326VP	VPCP4114T	7,741	SD	34.71	632	90.2	230/460	58	1,30
	1800	326VP	VPCP4115T	8,345	SD	34.71	617	91	230/460	60	1,30
60	3600	364VP	VPCP4310T	8,901	SD	38.04	754	90.2	230/460	69	1,30
	1800	364VP	VPCP4314T	9,294	SD	38.04	811	93.6	230/460	70	1,30
75	3600	365VP	VPCP4313T	11,121	SD	38.04	799	91	230/460	84	1,30
	1800	365VP	VPCP4316T	11,316	SD	38.04	872	94.1	230/460	86	1,30

(a) See notes on inside back flap and pages 5-6.

■ Cast Iron Frame

See Bearing Load notes at bottom of page 109. Contact Baldor for information on larger API and high thrust vertical pump motors.

## P-Base Vertical Solid Shaft Pump, Three Phase, ODP, 1.15 Service Factor

3 thru 75 Hp

NEMA 182HP thru 365HP

**Applications:** For normal thrust applications. Waste water treatment plants, petro chemical industries, pulp and paper mills and agricultural irrigation applications.

**Features:** Cast iron frame and endplates. EPart efficiency for energy efficiency over typical P-Base designs. Rotatable conduit box, stainless nameplate, epoxy finish. Two lifting lugs for balanced lifting.



Hp	RPM	NEMA Frame	Catalog Number	List Price	Mult. Sym.	"C" Dim.	Aprx. Wt. (lb)	Full Load Efficiency	Voltage	Full Load Amps	Notes (a)
<b>EPart High Efficiency, Normal Thrust</b>											
3	3600	182HP	VHM3210T	1,753	L1	21.33	87	84	208-230/460	3.7	1,17
	1800	182HP	VHM3211T	1,567	L1	21.33	96	86.5	208-230/460	4.2	1,17
5	3600	184HP	VHM3212T	2,262	L1	21.33	99	85.5	208-230/460	5.7	1,17
	1800	184HP	VHM3218T	2,088	L1	21.33	137	87.5	208-230/460	6.7	1,17
7 1/2	3600	184HP	VHM3219T	2,679	L1	21.33	115	87.5	208-230/460	8.5	1,17
	1800	213HP	VHM3311T	2,592	L1	23.68	169	88.5	208-230/460	10.7	1,17
10	3600	213HP	VHM3312T	2,796	L1	23.68	169	88.5	208-230/460	11.6	1,17
	1800	215HP	VHM3313T	2,908	L1	23.68	206	88.5	208-230/460	13.8	1,17
15	3600	215HP	VHM3314T	2,951	L1	23.68	179	89.5	208-230/460	16.8	1,17
	1800	254HP	VHM2513T	3,058	L1	26.73	255	91	208-230/460	18.1	1,17
20	3600	254HP	VHM2514T	3,210	L1	26.73	253	90.2	230/460	23.5	1,17,30
	1800	256HP	VHM2515T	3,474	L1	25.81	255	91	230/460	25	1,17,30
25	3600	256HP	VHM2516T	3,415	L1	26.73	239	91	230/460	29	1,17,30
	1800	284HP	VHM2531T	3,876	L1	29.93	454	92.4	230/460	30	1,17,30
30	3600	284HP	VHM2534T	3,757	L1	26.74	444	91	230/460	34	1,17,30
	1800	286HP	VHM2535T	4,353	L1	29.93	473	92.4	230/460	38.2	1,17,30
40	3600	286HP	VHM2538T	5,422	L1	29.93	463	91.7	230/460	45	1,17,30
	1800	324HP	VHM2539T	5,070	L1	32.23	703	93	230/460	47	1,17,30
50	3600	324HP	VHM2542T	6,644	L1	32.23	686	92.4	230/460	56	1,17,30
	1800	326HP	VHM2543T	7,162	L1	32.23	730	93	230/460	59	1,17,30
60	3600	326HP	VHM2546T	8,488	L1	32.23	730	93	230/460	67	1,17,30
	1800	364HP	VHM2547T	8,860	L1	34.01	908	93.6	230/460	70	1,17,30
75	3600	364HP	VHM2549T	10,605	L1	34.01	815	93	230/460	85	1,17
	1800	365HP	VHM2551T	10,789	L1	34.01	962	94.1	230/460	90	1,17,30

(a) See notes on inside back flap and pages 5-6.

■ Cast Iron Frame

Custom TEFC motors available through 2,250 Hp; Open and WPll custom motors through 15,000 Hp. Contact your Baldor Sales Representative.

**THRUST BEARINGS MUST BE LOADED TO A MINIMUM OF 20% OF RATED THRUST FOR PROPER BEARING LOADING AND LIFE.**

General Information

Premium Efficient Super-E® Motors

Single Phase Motors

General Purpose Industrial Motors

Severe Duty Motors

Washdown Duty Motors

Explosion Proof Motors

Pump Motors

Commercial Motors

HVAC Motors

**BALDOR • RELIANCE**

**Submersible Motors, Single Phase, TENV**

**1 thru 5 Hp**

**180TY thru 210TY**

**Applications:** Municipal and Industrial wastewater, slurry pump, aerators and mixers.

**Features:** All cast iron construction, 416 stainless steel shafts, dual carbon ceramic mechanical seals, (2) NC thermostats and 25 feet of cable. Dual moisture sensing probes. Includes NEMA 1 enclosure control box, wired complete with starting capacitors, wiring diagram and terminal board. Explosion Proof, Division 1, Group C & D, T3C. Submersible motors suitable for wet pit applications. Continuous duty in water/sewage, 15 minutes in air. 5 year pro-rated warranty. UL listed, Hazardous Duty.



Hp	RPM	NEMA Frame	Catalog Number	XP <sup>(a)</sup> Cls/Grp	List Price	Mult. Sym.	"C" Dim.	Aprx. Wt. (lb)	Full Load Efficiency	Voltage	Full Load Amps	Notes
1	1800	180*	<b>C18G2730</b>	Ⓢ	4,777	S1	25.99	245	55	230	8.1	R
	1200	180*	<b>C18G2700</b>	Ⓢ	4,999	S1	25.99	245	55.6	230	8.6	R
1 1/2	1800	180*	<b>C18G2731</b>	Ⓢ	4,777	S1	25.99	226	62.5	230	10.6	R
	1200	180*	<b>C18G2701</b>	Ⓢ	5,716	S1	25.99	250	57	230	12.5	R
2	1800	180*	<b>C18G2702</b>	Ⓢ	5,296	S1	25.99	234	59.2	230	14	R
3	1800	180	<b>C18G2703</b>	Ⓢ	6,622	S1	25.99	253	57	230	20	R
		180*	<b>C18G2704</b>	Ⓢ	6,622	S1	25.99	245	59.2	230	20	R
	1200	210*	<b>C21G2701</b>	Ⓢ	8,117	S1	32.41	350	65.6	230	21	R
5	1800	210	<b>C21G2702</b>	Ⓢ	8,817	S1	32.41	352	69	230	30	C

<sup>(a)</sup> See explosion proof symbols on inside back flap.

\* One Size Smaller Flange and Shaft

R = 115/230 volt motor connected for voltage shown. Can be reconnected for other voltage.

C = Single voltage motor. Cannot reconnect.

**IMMERSIBLE MOTORS AVAILABLE THROUGH 250 HP. CONTACT YOUR LOCAL BALDOR•RELIANCE DISTRICT OFFICE WITH YOUR INQUIRY AND SPECIFICATIONS.**

■ Cast Iron Frame

General Information

Premium Efficient Super-E® Motors

Single Phase Motors

General Purpose Industrial Motors

Severe Duty Motors

Washdown Duty Motors

Explosion Proof Motors

Pump Motors

Commercial Motors

HVAC Motors

Submersible Motors,  
Three Phase, TENV

1 thru 100 Hp

180TY thru 360TY



**Applications:** Municipal and Industrial wastewater, slurry pump, aerators and mixers.

**Features:** All cast iron construction, 416 stainless steel shafts, dual carbon ceramic mechanical seals, (2) NC thermostats and 25 feet of cable. Dual moisture sensing probes. UL Listed motors are Division 1, Group C & D, T3C. Submersible motors suitable for wet pit applications. Continuous duty in water/sewage, 15 minutes in air. 5 year pro-rated warranty. Inverter capable for 10:1 variable torque for Division 1, Group D, T2A only.

Hp	RPM	NEMA Frame	Catalog Number	XP <sup>(a)</sup> Cls/Grp	List Price	Mult. Sym.	"C" Dim.	Aprx. Wt. (lb)	Full Load Efficiency	Voltage	Full Load Amps	Notes	
<b>UL Listed, Hazardous Duty, Explosion Proof</b>													
1	1800	180TY*	P18G2784	⑤	4,257	S1	26.66	204	63.5	230	3.4	R	
1 1/2	1800	180TY*	P18G2787	⑤	4,360	S1	26.66	205	70.5	230	4.6	R	
2	1800	180TY*	P18G2791	⑤	4,443	S1	26.66	226	73.5	230	5.8	R	
		180TY*	P18G2792	⑤	4,443	S1	26.66	228	73.5	200	6.67	R	
3	1800	180TY*	P18G2794	⑤	4,490	S1	26.66	240	78.1	230	8.8	R	
	1200	180TY	P18G2707	⑤	4,563	S1	26.66	241	78	230	10.4	R	
5	1800	180TY	P18G2701	⑤	4,257	S1	26.66	235	80.2	230	14	R	
		180TY	P18G2702	⑤	4,257	S1	26.66	225	80.2	460	7	R	
	180TY	P18G2739	⑤	4,257	S1	26.66	225	80.2	200	16.1	R		
	1200	180TY	P18G2709	⑤	6,185	S1	26.66	221	80.9	230	16	R	
7 1/2	900	210TY	P21G2747	⑤	7,639	S1	31.69	335	82.6	460	8.3	C	
	1800	180TY	P18G2703	⑤	5,858	S1	26.66	249	82.7	230	20.2	R	
		180TY	P18G2704	⑤	5,858	S1	26.66	246	82.7	460	10.1	R	
10	1800	210TY	P21G2705	⑤	6,834	S1	31.69	350	81.7	230	22.6	R	
		210TY	P21G2701	⑤	6,314	S1	31.69	267	85.6	230	26	R	
15	1800	210TY	P21G2702	⑤	6,314	S1	31.69	376	85.6	460	13	R	
		210TY	P21G2707	⑤	8,356	S1	31.69	381	83.8	460	28.8	R	
		210TY	P21G2703	⑤	8,089	S1	31.69	372	85.4	460	40.2	R	
20	1800	210TY	P21G2704	⑤	8,089	S1	31.69	374	85.4	460	20.1	R	
		1200	250TY	P25G2707	⑤	11,039	S1	38.53	472	86.5	460	20.3	R
		210TY*	P21G2737	⑤	8,915	S1	31.69	371	86.6	460	26.2	R	
25	1800	210TY	P21G2758	⑤	9,394	S1	31.69	407	86.6	460	26.2	R	
		250TY	P25G2710	⑤	12,173	S1	38.53	565	86.7	460	27.4	R	
		250TY	P25G2702	⑤	11,390	S1	38.53	495	88.5	460	32.1	C	
30	1800	250TY*	P25G2747	⑤	11,390	S1	37.06	506	88.5	460	32.1	R	
		250TY	P25G2712	⑤	15,794	S1	38.53	496	86.7	460	35.2	R	
		250TY	P25G2704	⑤	12,304	S1	38.53	511	88.7	460	39.9	R	
40	1800	320TY	P32G2700	⑤	18,953	S1	43.12	1,150	89.7	460	40.7	C	
		250TY	P25G2706	⑤	16,658	S1	38.53	550	89	460	51.7	C	
50	1800	320TY	P32G2701	⑤	19,494	S1	43.12	875	91.1	460	64.3	C	
		320TY*	P32G2724	⑤	19,494	S1	43.12	1,100	91.1	460	64.3	C	
		1200	320TY	P32G2702	⑤	19,494	S1	43.12	877	90.5	460	65	C
60	1800	320TY	P32G2706	⑤	24,932	S1	43.12	1,014	92	460	74.9	C	
		1800	320TY	P32G2703	⑤	32,324	S1	43.12	1,150	92.6	460	91.3	C
75	1800	360TY	P36G2700	⑤	33,052	S1	49.81	1,500	92.3	460	90.9	C	
		1800	360TY	P36G2701	⑤	34,370	S1	49.81	1,500	93.7	460	116	C
100	1200	360TY	P36G2702	⑤	42,482	S1	49.81	1,500	91.2	460	122	C	
<b>Non-UL Listed, Non Hazardous Duty</b>													
7 1/2	1800	210TY	P21G2750		4,473	S1	31.69	346	82.8	230	10.4	R	
		210TY	P21G2754		4,473	S1	31.69	335	82.8	460	10.4	R	
10	1800	210TY	P21G2755		5,368	S1	31.69	362	85.6	230	13	R	
		210TY	P21G2756		5,368	S1	31.69	371	85.6	460	13	R	
15	1800	210TY	P21G2752		6,762	S1	31.69	373	85.4	230	20.1	R	
		210TY	P21G2757		6,762	S1	31.69	388	85.4	460	20.1	R	

<sup>(a)</sup> See explosion proof symbols on inside back flap.

\* One Size Smaller Flange and Shaft

R = 230/460 volt motor connected for voltage shown. Can be reconnected for other voltage. C = Single voltage motor. Cannot reconnect.

Longer cable lengths and custom submersible motors are available. Contact your Baldor•Reliance Sales Representative.

■ Cast Iron Frame

General Information

Premium Efficient Super-E® Motors

Single Phase Motors

General Purpose Industrial Motors

Severe Duty Motors

Washdown Duty Motors

Explosion Proof Motors

Pump Motors

Commercial Motors

HVAC Motors

Jet Pump,  
Single Phase, Open

1/4 thru 3 Hp

NEMA 56C and 56J

**Applications:** Commercial, residential and swimming pool pumps, etc.



**Features:** 40°C ambient, 60 Hertz, aluminum endplates, automatic thermal overloads, ball bearings, capacitor start (single phase), high service factors, ground screw and shaft slinger. Termination panel with quick connection for easier installation. Class B insulation.

Hp	RPM	NEMA Frame	Catalog Number	List Price	Mult. Sym.	"C" Dim.	Aprx. Wt. (lb)	Voltage	Full Load Amps	S.F.	Notes (a)
<b>Stainless Steel Threaded Shaft, 56J, Footless</b>											
1/4	1800	56J	JL145A	210	C1	11.58	20	115/230	2.2	1.35	30
1/3	3600	56J	JL225A	206	C1	11.83	21	115/230	2.8	1.75	30
	1800	56J	JL245A	244	C1	11.58	24	115/230	2.7	1.35	30
1/2	3600	56J	JL325A	227	C1	13.08	24	115/230	3.3	1.60	30
	1800	56J	JL345A	279	C1	13.08	22	115/230	3.6	1.25	30
3/4	3600	56J	JL425A	259	C1	13.08	24	115/230	4.6	1.50	30
	1800	56J	JL445A	311	C1	13.58	25	115/230	5.3	1.25	30
1	3600	56J	JL525A	294	C1	13.58	25	115/230	7.6	1.40	30
	1800	56J	JL545A	367	C1	12.84	31	115/230	6.7	1.15	30
1 1/2	3600	56J	JL625A	355	C1	13.84	42	115/230	9	1.30	30
2	3600	56J	JL725A	427	C1	13.84	44	115/230	13	1.20	30
3	3600	56J	JL825A	489	C1	14.72	52	230	13	1.15	
<b>Keyed Shaft, 56C, Footless</b>											
1/4	1800	56C	VL145A	203	C1	11.08	21	115/230	2.2	1.35	30
1/3	3600	56C	VL225A	197	C1	11.33	19	115/230	2.8	1.75	30
	1800	56C	VL245A	237	C1	11.08	24	115/230	2.7	1.35	30
1/2	3600	56C	VL325A	223	C1	12.58	22	115/230	3.3	1.60	30
	1800	56C	VL345A	272	C1	12.58	23	115/230	3.6	1.25	30
3/4	3600	56C	VL425A	254	C1	12.58	26	115/230	4.6	1.50	30
	1800	56C	VL445A	302	C1	13.08	26	115/230	5.3	1.25	30
1	3600	56C	VL525A	283	C1	13.08	28	115/230	7.6	1.40	30
	1800	56C	VL545A	347	C1	11.69	31	115/230	6.7	1.15	30
1 1/2	3600	56C	VL625A	332	C1	12.69	38	115/230	9	1.30	30
2	3600	56C	VL725A	400	C1	12.69	41	115/230	13	1.20	30
<b>Stainless Steel Threaded Shaft, 56J, Foot Mounted</b>											
1/3	1800	56J	CJL245A	255	C1	11.58	26	115/230	2.7	1.35	30
1/2	3600	56J	CJL325A	239	C1	13.08	22	115/230	3.3	1.60	30
	1800	56J	CJL345A	289	C1	13.08	22	115/230	3.6	1.25	30
3/4	3600	56J	CJL425A	281	C1	13.08	23	115/230	5.1	1.50	30
1	3600	56J	CJL525A	307	C1	13.58	24	115/230	7.6	1.40	30

(a) See notes on inside back flap and pages 5-6.

Data subject to change without notice. Contact Baldor for certified data.

General Information

Premium Efficient Super-E® Motors

Single Phase Motors

General Purpose Industrial Motors

Severe Duty Motors

Washdown Duty Motors

Explosion Proof Motors

Pump Motors

Commercial Motors

HVAC Motors



### Jet Pump, Single Phase, TEFC

1/2 thru 1 Hp

NEMA 56J

**Applications:** Commercial, residential and swimming pool pumps, etc.



**Features:** 40°C ambient, 60 Hertz, aluminum endplates, automatic thermal overloads, ball bearings, capacitor start (single phase), high service factors, ground screw and shaft slinger. Termination panel with quick connection for easier installation. Class B insulation.

Hp	RPM	NEMA Frame	Catalog Number	List Price	Mult. Sym.	"C" Dim.	Aprx. Wt. (lb)	Voltage	Full Load Amps	S.F.	Notes (a)
<b>Stainless Steel Threaded Shaft, Footless</b>											
1/3	3600	56J	JL2250A	206	C1	12.50	24	115/230	2.6	1.75	30
	1800	56J	JL2450A	244	C1	12.50	26	115/230	3.1	1.35	30
1/2	3600	56J	JL3250A	227	C1	13.38	26	115/230	3.6	1.60	30
<b>Stainless Steel Threaded Shaft, Foot Mounted</b>											
1/3	1800	56J	CJL2450A	244	C1	12.50	18	115/230	3.1	1.35	30

(a) See notes on inside back flap and pages 5-6.  
Data subject to change without notice. Contact Baldor for certified data.

### Two Compartment Jet Pump, Single Phase, Open

1/4 thru 1 Hp

NEMA 56C and 56J

**Applications:** Swimming pool pumps, spa, and hot tub pumps.



**Features:** 50°C ambient, 60 Hertz, aluminum endplates, automatic thermal overloads, ball bearings, capacitor start (single phase), high service factors, ground screw and shaft slinger. Two-compartment design for easier maintenance. Termination panel with quick connection for easier installation. Class B insulation.

Hp	RPM	NEMA Frame	Catalog Number	List Price	Mult. Sym.	"C" Dim.	Aprx. Wt. (lb)	Voltage	Full Load Amps	S.F.	Notes (a)
<b>Stainless Steel Threaded Shaft, 56J, Footless</b>											
1/4	1800	56J	J2L145A	223	C1	13.59	21	115/230	2.2	1.35	30
1/2	3600	56J	J2L325A	241	C1	14.84	23	115/230	3.3	1.60	30
	1800	56J	J2L345A	294	C1	14.84	26	115/230	3.6	1.25	30
<b>Keyed Shaft, 56C, Footless</b>											
1/4	1800	56C	V2L145A	213	C1	13.10	20	115/230	2.2	1.35	30
1/3	3600	56C	V2L225A	208	C1	13.10	21	115/230	2.8	1.75	30
	1800	56C	V2L245A	248	C1	13.10	23	115/230	2.7	1.35	30
1/2	3600	56C	V2L325A	234	C1	14.35	24	115/230	3.3	1.60	30
	1800	56C	V2L345A	283	C1	14.35	26	115/230	3.6	1.25	30
3/4	3600	56C	V2L425A	266	C1	14.35	26	115/230	4.6	1.50	30
	1800	56C	V2L445A	318	C1	14.85	39	115/230	5.3	1.25	30
1	3600	56C	V2L525A	298	C1	14.85	34	115/230	7.6	1.40	30

(a) See notes on inside back flap and pages 5-6.  
Data subject to change without notice. Contact Baldor for certified data.

General Information

Premium Efficient Super-E® Motors

Single Phase Motors

General Purpose Industrial Motors

Severe Duty Motors

Washdown Duty Motors

Explosion Proof Motors

Pump Motors

Commercial Motors

HVAC Motors

**BALDOR • RELIANCE**

**General Purpose,  
Single Phase, Open**

**1/4 thru 1 Hp**

**NEMA 48 and 56**

**Applications:** Ventilators, summer cooling fans, band saws, drill presses, farm equipment, etc.

**Features:** 40°C ambient, 60 Hertz, aluminum endplates, automatic thermal overloads, ball bearings, and capacitor start (single phase). Termination panel with quick connection for easier installation. Resilient cushion rings on a rugged steel base. Reversible rotation. Class B insulation.



General Information

Premium Efficient Super-E® Motors

Single Phase Motors

General Purpose Industrial Motors

Severe Duty Motors

Washdown Duty Motors

Explosion Proof Motors

Pump Motors

Commercial Motors

HVAC Motors

Hp	RPM	NEMA Frame	Catalog Number	List Price	Mult. Sym.	"C" Dim.	Aprx. Wt. (lb)	Voltage	Full Load Amps	S.F.	Notes (a)
1/4	1800	48	<b>RL144A</b>	226	C1	10.46	21	115/230	2.2	1.25	30
	3600	48	<b>RL224A</b>	203	C1	11.09	18	115/230	2.7	1.15	30
1/3	1800	56	<b>RL245A</b>	243	C1	11.09	25	115/230	2.7	1.15	30
	3600	48	<b>RL324A</b>	221	C1	11.09	23	115/230	3.5	1.15	30
56		<b>RL325A</b>	223	C1	12.57	23	115/230	3.5	1.15	30	
48Z		<b>RL344A</b>	278	C1	12.34	25	115/230	3.6	1.25	30	
1/2	1800	56	<b>RL345A</b>	280	C1	12.57	25	115/230	3.6	1.25	30
		56	<b>RL425A</b>	262	C1	12.57	23	115/230	4.7	1.25	30
3/4	3600	56	<b>RL425A</b>	262	C1	12.57	23	115/230	4.7	1.25	30
	1800	56	<b>RL445A</b>	297	C1	13.07	33	115/230	5.3	1.25	30
1	3600	56YZ	<b>RL525A</b>	313	C1	12.60	30	115/230	5.9	1.25	30
	1800	56	<b>RL545A</b>	375	C1	12.04	32	115/230	6.5	1.15	30

(a) See notes on inside back flap and pages 5-6.

Data subject to change without notice. Contact Baldor for certified data.

**HVAC Blower,  
Single and  
Three Phase, OPAO**

**1/4 thru 2 Hp**

**NEMA 48 and 56H**



**Applications:** Heating, ventilation, and air conditioning blowers. Designed for continuous air-over applications with moderate starting loads.

**Features:** 40°C ambient, 60 Hertz, aluminum endplates, automatic thermal overloads, ball bearings, and capacitor start (single phase). Termination panel with quick connection for easier installation. Resilient cushion rings on a rugged steel base. Reversible rotation. Class B insulation.

Hp	RPM	NEMA Frame	Catalog Number	List Price	Mult. Sym.	"C" Dim.	Aprx. Wt. (lb)	Voltage	Full Load Amps	S.F.	Notes (a)
<b>Single Phase, Permanent Split Capacitor</b>											
1/4	1800	48	RHC144A	221	C1	10.46	20	115/230	1.5	1.00	30
	1200	48	RHC164A	250	C1	10.46	24	115/230	1.7	1.15	30
1/3	1800	48	RHC244A	226	C1	10.46	22	115/230	1.8	1.00	30
	1200	48	RHC264A	257	C1	10.46	24	115/230	1.9	1.15	30
1/2	1800	48	RHC344A	271	C1	10.46	24	115/230	3	1.00	30
		56	RHC345A	273	C1	11.09	24	115/230	3	1.00	30
	1200	48	RHC364A	302	C1	11.96	26	115/230	3	1.00	30
3/4	1800	56	RHC445A	290	C1	11.72	27	115/230	4	1.00	30
		56	RHC465A	340	C1	12.60	27	115/230	4.4	1.00	30
	1200	56	RHC545A	327	C1	12.60	28	115/230	5.1	1.00	30
1	1800	56	RHC565A	389	C1	13.92	45	115/230	5.3	1.00	
	1200	56	RHC645A	375	C1	13.04	44	115/230	7.2	1.00	
1 1/2	1800	56	RHC665A	446	C1	15.29	55	115/230	8	1.00	
	1200	56	RHC745A	437	C1	13.92	45	115/230	9.5	1.00	
<b>Three Phase</b>											
1/4	1800	48	RHM144A	212	C1	10.46	22	230/460	0.55	1.25	30
	1200	48	RHM164A	244	C1	10.46	22	230/460	0.65	1.25	30
1/3	1800	48	RHM244A	221	C1	10.46	25	230/460	0.75	1.25	30
	1200	48	RHM265A	249	C1	10.46	25	230/460	0.85	1.25	30
1/2	1800	48	RHM344A	260	C1	10.46	25	230/460	1.15	1.25	30
		56	RHM345A	265	C1	11.09	25	230/460	1.15	1.25	30
	1200	48	RHM364A	294	C1	10.71	27	230/460	1.1	1.25	30
3/4	1800	56	RHM365A	296	C1	11.34	26	230/460	1.1	1.25	30
		56	RHM445A	279	C1	11.09	27	230/460	1.7	1.25	30
	1200	48Z	RHM465A	337	C1	12.59	27	230/460	1.7	1.15	30
1	1800	56	RHM545A	326	C1	11.72	28	230/460	1.9	1.15	30
	1200	56H	RHM565A	392	C1	13.04	36	208-230/460	1.75	1.15	
1 1/2	1800	56H	RHM645A	381	C1	12.04	34	208-230/460	2.4	1.15	
	1200	56H	RHM665A	434	C1	13.92	48	208-230/460	2.6	1.15	
2	1800	56H	RHM745A	424	C1	13.04	36	208-230/460	3.1	1.15	

(a) See notes on inside back flap and pages 5-6.  
Data subject to change without notice. Contact Baldor for certified data.

General Information

Premium Efficient Super-E® Motors

Single Phase Motors

General Purpose Industrial Motors

Severe Duty Motors

Washdown Duty Motors

Explosion Proof Motors

Pump Motors

Commercial Motors

HVAC Motors

BALDOR • RELIANCE

**Direct Drive Fan,  
Single and  
Three Phase, TEAO**

1/4 thru 1-1/2 Hp

NEMA 48Z, 56 thru 56Z

**Applications:** Air-handling fans, confinement houses, exhaust fans, unit heaters. Designed for continuous air-over applications with moderate starting loads.



**Features:** 40°C ambient, 60 Hertz, aluminum endplates, automatic thermal overloads, ball bearings, and capacitor start (single phase). Termination panel with quick connection for easier installation. Resilient cushion rings on a rugged steel base. Reversible rotation. Class B insulation.

Hp	RPM	NEMA Frame	Catalog Number	List Price	Mult. Sym.	"C" Dim.	Aprx. Wt. (lb)	Voltage	Full Load Amps	S.F.	Notes (a)
<b>Single Phase, Permanent Split Capacitor</b>											
1/4	1800	48Z	CHC144A	231	C1	11.46	24	115/230	1.5	1.00	30
	1200	48Z	CHC164A	262	C1	11.46	24	115/230	1.6	1.15	30
1/3	1800	48Z	CHC244A	243	C1	11.46	25	115/230	2.1	1.15	30
	1200	48Z	CHC264A	273	C1	11.46	26	115/230	2	1.15	30
1/2	1800	48Z	CHC344A	283	C1	12.09	28	115/230	2.9	1.15	30
		56	CHC345A	286	C1	12.84	25	115/230	2.9	1.15	30
	1200	48Z	CHC364A	317	C1	12.96	26	115/230	3.2	1.15	30
		56	CHC365A	321	C1	13.72	26	115/230	3.2	1.15	30
3/4	1800	56	CHC445A	307	C1	13.72	28	115/230	3.6	1.15	
	1200	56	CHC465A	370	C1	13.92	48	115/230	4.5	1.00	
1	1800	56	CHC545A	362	C1	13.04	39	115/230	4.9	1.00	
	1200	56	CHC565A	428	C1	13.92	48	115/230	5.3	1.00	20
1 1/2	1800	56	CHC645A	413	C1	13.92	49	115/230	6.8	1.00	
<b>Three Phase</b>											
1/4	1800	48Z	CHM144A	224	C1	11.46	25	230/460	0.5	1.25	30
	1200	48Z	CHM164A	272	C1	11.46	25	230/460	0.65	1.25	30
1/3	1800	48Z	CHM244A	236	C1	11.46	20	230/460	0.65	1.25	30
	1200	48Z	CHM264A	265	C1	11.46	19	230/460	0.85	1.25	30
1/2	1800	48Z	CHM344A	278	C1	11.46	24	230/460	0.95	1.25	30
		56Z	CHM345A	280	C1	12.21	23	230/460	0.95	1.25	30
	1200	48Z	CHM364A	309	C1	11.46	23	230/460	1.1	1.25	30
		56Z	CHM365A	311	C1	12.21	25	230/460	1.1	1.25	30
3/4	1800	56Z	CHM445A	296	C1	12.84	27	230/460	1.4	1.15	30
	1200	56Z	CHM465A	357	C1	13.72	33	208-230/460	0	1.15	30
1	1800	56Z	CHM545A	351	C1	13.72	33	208-230/460	1.6	1.15	30
	1200	56	CHM565A	415	C1	13.04	39	208-230/460	1.8	1.15	30
1 1/2	1800	56	CHM645A	401	C1	12.04	34	208-230/460	2.5	1.15	30

(a) See notes on inside back flap and pages 5-6.

Data subject to change without notice. Contact Baldor for certified data.

General Information

Premium Efficient Super-E® Motors

Single Phase Motors

General Purpose Industrial Motors

Severe Duty Motors

Washdown Duty Motors

Explosion Proof Motors

Pump Motors

Commercial Motors

HVAC Motors

Fan and Blower,  
Single Phase, Open

1/4 thru 1/2 Hp

NEMA 48 and 56

**Applications:** Air conditioning equipment, blowers, and fans. Designed for applications with moderate starting loads.



**Features:** 40°C ambient, 60 Hertz, aluminum endplates, automatic thermal overloads, and ball bearings. 1.25 service factor. Termination panel with quick connection for easier installation. Resilient cushion rings on a rugged steel base. Reversible rotation. Mounting base is notched with mounting holes for NEMA 48 and 56. Class B insulation.

Hp	RPM	NEMA Frame	Catalog Number	List Price	Mult. Sym.	"C" Dim.	Aprx. Wt. (lb)	Voltage	Full Load Amps	S.F.	Notes (a)
1/4	1800	48	RSP1441A	197	C1	10.50	26	115	4.3	1.25	
		48	RSP1442A	201	C1	10.50	27	230	2.1	1.25	
1/3	1800	48	RSP2441A	210	C1	10.50	23	115	5.4	1.25	
		48	RSP2442A	214	C1	10.50	22	230	2.7	1.25	
		56	RSP2451A	213	C1	11.12	27	115	5.4	1.25	
		56	RSP2452A	221	C1	11.12	25	230	2.7	1.25	
1/2	1800	48	RSP3441A	245	C1	10.50	27	115	7.2	1.25	
		48	RSP3442A	250	C1	10.50	23	230	3.5	1.25	
		56	RSP3451A	248	C1	11.12	25	115	7.2	1.25	
		56	RSP3452A	255	C1	11.12	23	230	3.5	1.25	

(a) See notes on inside back flap and pages 5-6.

Data subject to change without notice. Contact Baldor for certified data.

Incubator/Hatchery  
Vent Fan,  
Single Phase, TEAO

1/4 thru 1/2 Hp

NEMA 48Z

**Applications:** Direct drive hatchery and incubator fans.



**Features:** 40°C ambient, 60 Hertz, aluminum endplates, automatic thermal overloads, and ball bearings. 1.0 service factor. Extended through bolts. Pilot circuit. Class B insulation.

Hp	RPM	NEMA Frame	Catalog Number	List Price	Mult. Sym.	"C" Dim.	Aprx. Wt. (lb)	Voltage	Full Load Amps	S.F.	Notes (a)
1/4	1725	48Z	HIC174A	280	C1	10.14	27	115/230	1.5	1.00	30
1/3	1725	48Z	HIC274A	301	C1	10.14	28	115/230	2	1.00	
	1625	48Z	HIC264A	301	C1	10.14	25	115/230	1.9	1.00	
1/2	1725	48Z	HIC374A	326	C1	11.11	29	115/230	2.5	1.00	
	1625	48Z	HIC364A	326	C1	11.11	27	115/230	2.6	1.00	

(a) See notes on inside back flap and pages 5-6.

Data subject to change without notice. Contact Baldor for certified data.

General Information

Premium Efficient Super-E® Motors

Single Phase Motors

General Purpose Industrial Motors

Severe Duty Motors

Washdown Duty Motors

Explosion Proof Motors

Pump Motors

Commercial Motors

HVAC Motors



**BALDOR • RELIANCE**

**Condenser Fan,  
Single Phase, OPAO,  
TEAO, Round Body**

1/4 thru 1/2 Hp

NEMA 48YZ

**Applications:** Condenser fans, refrigeration fans and heat pumps. Designed for continuous air-over applications with moderate starting loads.

**Features:** 6" long by 1/2" diameter shaft with two flats 90° apart, 30" leads. 60 Hertz, aluminum endplates, automatic thermal overloads, and ball bearings. Class B insulation. Reversible rotation. 1.0 service factor. 370-volt capacitor not included. 60°C ambient



Hp	RPM	NEMA Frame	Catalog Number	List Price	Mult. Sym.	"C" Dim.	Aprx. Wt. (lb)	Voltage	Full Load Amps	S.F.	Capacitor Size	Notes (a)
<b>Permanent Split Capacitor, Multiple Flats, OPAO</b>												
1/4	1200	48YZ	<b>CFC1614A</b>	197	C1	14.10	20	230	1.4	1.00	5 MFD	30
		48YZ	<b>CFC1624A</b>	197	C1	14.10	22	208-230	0	1.00	7.5 MFD	
1/3	1200	48YZ	<b>CFC2614A</b>	218	C1	14.35	25	230	1.9	1.00	8 MFD	30
1/2	1200	48YZ	<b>CFC3614A</b>	242	C1	15.60	29	230	2.6	1.00	10 MFD	30
		48YZ	<b>CFC3624A</b>	254	C1	15.60	29	208-230	2.7	1.00	10 MFD	
<b>Permanent Split Capacitor, Multiple Flats, TEAO</b>												
1/4	1200	48YZ	<b>CFC1641A</b>	205	C1	14.10	20	115	3.7	1.00	5 MFD	
1/3	1200	48YZ	<b>CFC2624A</b>	226	C1	14.73	26	208-230	2	1.00	7.5 MFD	
		48YZ	<b>CFC2642A</b>	224	C1	14.35	24	230	1.9	1.00	8 MFD	30
1/2	1200	48YZ	<b>CFC3642A</b>	245	C1	15.60	29	230	2.6	1.00	10 MFD	30

(a) See notes on inside back flap and pages 5-6.

Data subject to change without notice. Contact Baldor for certified data.

TEAO = Totally Enclosed Air Over, OPAO = Open Air Over

**Direct Drive,  
Indoor Blower,  
Single Phase,  
OPAO, Round Body**

1/4 thru 1/2 Hp

NEMA 48YZ

**Applications:** Air handlers, evaporators and furnace blowers. Designed for continuous air-over applications with moderate starting loads.

**Features:** 6" long by 1/2" diameter shaft with two flats 90° apart, 30" leads. 60 Hertz, aluminum endplates, automatic thermal overloads, and ball bearings. 370-volt capacitor not included. Extended through bolts. Reversible rotation. 1.0 service factor. Class B insulation. 40°C ambient



Hp	RPM	NEMA Frame	Catalog Number	List Price	Mult. Sym.	"C" Dim.	Aprx. Wt. (lb)	Voltage	Full Load Amps	S.F.	Capacitor Size	Notes (a)
<b>Permanent Split Capacitor, Multiple Flats</b>												
1/4	1200	48YZ	<b>DDC1641A</b>	189	C1	12.13	16	115	2.9	1.00	10 MFD	
		48YZ	<b>DDC1642A</b>	189	C1	12.13	14	208-230	1.5	1.00	7 MFD	
1/3	1800	48YZ	<b>DDC2442A</b>	182	C1	12.69	17	208-230	1.7	1.00	10 MFD	
		48YZ	<b>DDC2641A</b>	213	C1	12.69	17	115	3.8	1.00	10 MFD	
1/3	1200	48YZ	<b>DDC2642A</b>	213	C1	12.69	19	208-230	2	1.00	7.5 MFD	
		48YZ	<b>DDC3641A</b>	236	C1	13.57	20	115	5.8	1.00	12 MFD	
1/2	1200	48YZ	<b>DDC3642A</b>	236	C1	13.57	20	208-230	2.8	1.00	12 MFD	

(a) See notes on inside back flap and pages 5-6.

Data subject to change without notice. Contact Baldor for certified data.

General Information

Premium Efficient Super-E® Motors

Single Phase Motors

General Purpose Industrial Motors

Severe Duty Motors

Washdown Duty Motors

Explosion Proof Motors

Pump Motors

Commercial Motors

HVAC Motors

Yoke/Pedestal Fan,  
Single Phase, TEAO

1/4 thru 1/2 Hp

NEMA 48YZ thru 56YZ

**Applications:** Air circulation fans. Designed for continuous air-over applications with moderate starting loads.

**Features:** 40°C ambient, 60 Hertz, aluminum endplates, automatic thermal overloads, and ball bearings. 1.0 service factor. Extended through bolts on 5.13" bolt circle for mounting fan shroud. Heavy gage steel yoke with 180° slot for wide angle rotation. Pull chain switch (2sp only) for high and low speeds. Reversible rotation. Termination panel with quick connection for easier installation.



Hp	RPM	NEMA Frame	Catalog Number	List Price	Mult. Sym.	"C" Dim.	Aprx. Wt. (lb)	Voltage	Full Load Amps	S.F.	Notes (a)
<b>Single Speed, Permanent Split Capacitor</b>											
1/4	1800	48YZ	YPC144A	203	C1	10.48	19	115	3.5	1.00	
	1200	48YZ	YPC164A	224	C1	10.48	21	115	3.7	1.00	
1/3	1800	48YZ	YPC244A	214	C1	10.60	21	115	3.9	1.00	
		56YZ	YPC245A	218	C1	10.48	21	115	3.9	1.00	
	1200	48YZ	YPC264A	242	C1	10.48	22	115	4.7	1.00	
		56YZ	YPC265A	244	C1	10.48	22	115	4.7	1.00	
1/2	1800	48YZ	YPC344A	249	C1	10.60	24	115	5.6	1.00	
		56YZ	YPC345A	254	C1	10.48	24	115	5.6	1.00	
	1200	48YZ	YPC364A	283	C1	11.10	25	115	5.6	1.00	
<b>2 Speed Tapped Winding, Permanent Split Capacitor</b>											
1/4	1200/900	48YZ	YPC1624A	243	C1	12.15	22	115	3.2	1.00	
1/3	1200/900	48YZ	YPC2624A	272	C1	13.66	25	115	3.9	1.00	
		56YZ	YPC2625A	274	C1	13.66	25	115	3.9	1.00	
1/2	1200/900	48YZ	YPC3624A	346	C1	14.16	28	115	6.2	1.00	20
		56YZ	YPC3625A	350	C1	14.16	28	115	6.2	1.00	20

(a) See notes on inside back flap and pages 5-6.  
Data subject to change without notice. Contact Baldor for certified data.

General Information

Premium Efficient Super-E® Motors

Single Phase Motors

General Purpose Industrial Motors

Severe Duty Motors

Washdown Duty Motors

Explosion Proof Motors

Pump Motors

Commercial Motors

HVAC Motors

**Fan and Blower,  
Single and  
Three Phase, ODP,  
Resilient Base**

**1/4 thru 3 Hp**

**NEMA 48 and 56H**

**Applications:** Ventilators, summer cooling fans, band saws, drill presses, farm equipment, etc.

**Features:** Heavy-gauge steel base, ball bearings, suitable for mounting in any position. Dynamically balanced rotors for reduced vibration and quiet operation.



Hp	RPM	NEMA Frame	Catalog Number	List Price	Mult. Sym.	"C" Dim.	Aprx. Wt. (lb)	Full Load Efficiency	Voltage	Full Load Amps	Notes (a)
<b>Single Phase</b>											
1/2	1800	56	<b>RL1304A</b>	364	K	11.59	26	62	115/230	4.2	2,30,66
		56	<b>RL1323A</b>	332	K	10.97	24	62	115/230	4	2,66
3/4	1800	56	<b>RL1306A</b>	335	K	11.59	26	71	115/230	5.5	2,30,66
		56H	<b>RL1307A</b>	448	K	12.97	35	68	115/230	5.1	30,66
1	1800	56	<b>RL1324A</b>	360	K	12.47	31	71	115/230	5	2,66
		56H	<b>RL1309A</b>	385	K	11.42	34	63	115/230	7.3	30,66
1 1/2	1800	56H	<b>RL1310A</b>	486	K	11.42	33	66	115/230	6.7	2,30,66
		56H	<b>RL1313A</b>	497	K	12.42	39	68	115/230	9	30,66
2	3600	56H	<b>RL1319A</b>	588	K	12.42	42	68	115/230	9	30,66
		56H	<b>RL1317A</b>	618	K	12.42	43	70	115/230	12	30,66
<b>Single Phase, 277 Volt</b>											
1/3	1800	56	<b>RL1301A277</b>	375	K	10.97	23	60	277	2.5	66
1/2	1800	56	<b>RL1304A277</b>	390	K	11.59	26	62	277	3.6	66
3/4	1800	56H	<b>RL1307A277</b>	537	K	11.42	31	63	277	5.1	66
1	1800	56H	<b>RL1310A277</b>	553	K	12.42	38	66	277	5.4	66
1 1/2	1800	56H	<b>RL1319A277</b>	601	K	13.30	46	70	277	8.5	66
<b>Three Phase</b>											
1/4	1800	48	<b>RM3003</b>	267	K	10.34	19	64	230/460	0.65	30
		48	<b>RM3006</b>	256	K	10.34	20	72	230/460	0.7	30
1/3	1800	48	<b>RM3007</b>	270	K	10.34	21	68	230/460	0.8	30
		56	<b>RM3104</b>	307	K	10.97	22	68	230/460	0.8	30
1/2	1800	48	<b>RM3009</b>	270	K	10.34	19	68	230/460	1	30
		48	<b>RM3010</b>	340	K	10.34	23	74	230/460	1	30
3/4	1800	56	<b>RM3108</b>	349	K	10.97	23	74	230/460	1	30
		56	<b>RM3111</b>	355	K	10.97	22	74	230/460	1.3	30
1	1800	56	<b>RM3112</b>	388	K	11.59	27	75.5	208-230/460	1.5	
		56	<b>RM3115</b>	375	K	10.97	24	75.5	230/460	1.8	30
1 1/2	1800	56	<b>RM3116</b>	411	K	12.47	33	78.5	230/460	1.7	30
		56H	<b>RM3120</b>	456	K	12.47	31	80	208-230/460	2.3	
2	3600	56H	<b>RM3154</b>	473	K	12.97	34	77	208-230/460	2.8	
		56H	<b>RM3155</b>	530	K	12.47	33	80	208-230/460	2.9	
3	3600	56H	<b>RM3157</b>	512	K	12.42	37	78.5	208-230/460	3.2	
		56H	<b>RM3158</b>	548	K	12.42	39	80	208-230/460	4	

(a) See notes on inside back flap and pages 5-6.

General Information

Premium Efficient Super-E® Motors

Single Phase Motors

General Purpose Industrial Motors

Severe Duty Motors

Washdown Duty Motors

Explosion Proof Motors

Pump Motors

Commercial Motors

**Chiller/Cooling Tower, 5 thru 75 Hp  
Three Phase, TEAO**

**NEMA 184T thru 404T**

**Applications:** For use in the airstream on chillers and cooling towers.



**Features:** Class F insulated motor with 1.15 service factor or higher that operates within class “B” temperature limits at rated horsepower. Corrosion resistant epoxy finish, double sealed bearings filled with moisture resistant grease, shaft seal/slinger, moisture resistant copper windings, double dipped and baked, stainless steel nameplates and corrosion resistant hardware. Designed for wet, high humidity environments. “ECTM” model Super-E® motors have NEMA Premium® efficiency and 3 year warranty. Direct replacement for most OEM applications.

Hp	RPM	NEMA Frame	Catalog Number	List Price	Mult. Sym.	“C” Dim.	Aprx. Wt. (lb)	Full Load Efficiency	Voltage	Full Load Amps	Airflow Ft/Min	Notes (a)
5	1800	184T	<a href="#">ECTM3665T</a>	1,043	L1	13.68	109	90.2	208-230/460	6.5	1200	
		184T	<a href="#">CTM3665T</a>	921	L1	13.68	104	87.5	208-230/460	6.7	1200	
	1200	215T	<a href="#">ECTM3768T</a>	1,657	L1	19.54	203	90.2	230/460	7.3	1200	30
		215T	<a href="#">CTM3768T</a>	1,397	L1	19.54	206	87.5	208-230/460	7.5	1200	
7 1/2	1800	213T	<a href="#">ECTM3770T</a>	1,391	L1	19.54	170	91.7	208-230/460	9.5	1500	
		213T	<a href="#">CTM3770T</a>	1,227	L1	19.54	164	89.5	208-230/460	10.3	1500	
	1200	254T	<a href="#">ECTM2276T</a>	2,359	L1	20.75	298	91.7	230/460	10.7	1500	30
		254T	<a href="#">CTM2276T</a>	1,705	L1	22.16	240	89.5	208-230/460	10.9	1500	1
10	1800	215T	<a href="#">ECTM3774T</a>	1,867	L1	19.54	231	92.4	208-230/460	12.5	1500	
		215T	<a href="#">CTM3774T</a>	1,567	L1	19.54	170	89.5	208-230/460	13	1500	
	1200	256T	<a href="#">ECTM2332T</a>	2,695	L1	20.75	282	91.7	230/460	14.2	1500	30
		256T	<a href="#">CTM2332T</a>	1,898	L1	20.75	269	89.5	230/460	14.4	1500	30
15	1800	254T	<a href="#">ECTM2333T</a>	2,479	L1	20.75	255	92.4	230/460	18.5	1500	30
		254T	<a href="#">CTM2333T</a>	2,081	L1	22.16	236	91	208-230/460	18.5	1500	
	1200	284T	<a href="#">ECTM4100T</a>	3,594	L1	25.63	421	92.4	230/460	19.5	1500	30
		284T	<a href="#">CTM4100T</a>	3,027	L1	25.63	375	90.2	230/460	21	1500	30
20	1800	256T	<a href="#">ECTM2334T</a>	2,765	L1	20.75	286	93	230/460	24	1500	30
		256T	<a href="#">CTM2334T</a>	2,321	L1	23.91	276	91	230/460	25	1500	30
	1200	286T	<a href="#">ECTM4102T</a>	4,786	L1	25.63	420	92.4	230/460	26	1500	30
		286T	<a href="#">CTM4102T</a>	3,657	L1	25.63	416	90.2	230/460	27	1500	30
25	1800	284T	<a href="#">ECTM4103T</a>	3,404	L1	25.63	417	93.6	230/460	30	1500	30
		284T	<a href="#">CTM4103T</a>	2,814	L1	25.78	322	92.4	230/460	29	1500	30
	1200	324T	<a href="#">ECTM4111T</a>	5,415	L1	28.38	537	93	230/460	32	1500	30
		324T	<a href="#">CTM4111T</a>	4,412	L1	28.25	451	91.7	230/460	33	1500	30
30	1800	286T	<a href="#">ECTM4104T</a>	4,040	L1	25.63	492	94.1	230/460	36	1500	30
		286T	<a href="#">CTM4104T</a>	3,377	L1	25.78	321	92.4	230/460	36	1500	30
	1200	326T	<a href="#">ECTM4117T</a>	6,257	L1	28.38	592	93	230/460	39	1500	30
		326T	<a href="#">CTM4117T</a>	5,352	L1	28.25	460	91.7	230/460	39	1500	30
40	1800	324T	<a href="#">ECTM4110T</a>	5,283	L1	28.38	592	94.5	230/460	46	1500	30
		324T	<a href="#">CTM4110T</a>	4,492	L1	28.38	536	93	230/460	47	2000	30
	1200	364T	<a href="#">ECTM4308T</a>	7,796	L1	30.60	831	94.1	230/460	50.5	2000	30
		364T	<a href="#">CTM4308T</a>	5,929	L1	30.60	810	93	230/460	49	2000	30
50	1800	326T	<a href="#">ECTM4115T</a>	6,317	L1	28.38	635	94.5	230/460	57	2000	30
		326T	<a href="#">CTM4115T</a>	5,303	L1	28.25	540	93	230/460	60	2000	30
	1200	365T	<a href="#">ECTM4312T</a>	9,421	L1	30.60	851	94.1	230/460	61	2000	30
		365T	<a href="#">CTM4312T</a>	7,524	L1	30.60	782	93	230/460	61	2000	30
60	1800	364T	<a href="#">ECTM4314T</a>	8,308	L1	30.60	808	95	230/460	69	2000	30
		364T	<a href="#">CTM4314T</a>	7,176	L1	30.60	810	93.6	230/460	71	2000	30
	1200	404T	<a href="#">ECTM4403T</a>	11,435	L1	34.68	1,114	94.5	230/460	72.5	2000	
		404T	<a href="#">CTM4403T</a>	9,499	L1	34.97	1,038	93.6	230/460	72	2000	30
75	1800	365T	<a href="#">ECTM4316T</a>	9,715	L1	30.60	832	95.4	230/460	86.5	2000	30
		365T	<a href="#">CTM4316T</a>	8,627	L1	30.60	841	94.1	230/460	87	2000	30

(a) See notes on inside back flap and pages 5-6.

■ Cast Iron Frame

General Information

Premium Efficient Super-E® Motors

Single Phase Motors

General Purpose Industrial Motors

Severe Duty Motors

Washdown Duty Motors

Explosion Proof Motors

Pump Motors

Commercial Motors

HVAC Motors

**BALDOR • RELIANCE**

**Chiller/Cooling Tower, 3 thru 100 Hp  
Three Phase,  
Two Speed, TEFC**

**182T thru 405T**

**Applications:** High moisture environment fan motor for mounting in the air stream of cooling towers.



**Features:** High efficiency severe duty multi-speed axial fan motors. Class F insulation, 1.15 service factor. Lip seal, shaft slinger, and T-drain in both ends. Electrical design is single winding variable torque. Double shielded ball bearings. Burndy type YA compression lead lugs.

Hp	RPM	NEMA Frame	Catalog Number	List Price	Mult. Sym.	"C" Dim.	Aprx. Wt. (lb)	Full Load Efficiency <sup>(a)</sup>	Voltage	Full Load Amps	Notes <sup>(b)</sup>
3-0.75	1800/900	L182T	<b>CTM1757T</b>	1,784	L1	17.12	143	82.5	460	3.6	71
5-1.25	1800/900	L184T	<b>CTM1758T</b>	1,995	L1	17.12	152	84	460	6	71
7.5-1.88	1800/900	L213T	<b>CTM1759T</b>	2,503	L1	19.31	206	87.5	460	8.7	71
10-2.5	1800/900	L215T	<b>CTM1760T</b>	2,909	L1	19.31	204	89.5	460	12	71
15-3.75	1800/900	254T	<b>CTM1761T</b>	3,690	L1	24.56	315	90.2	460	15	71
20-5	1800/900	256T	<b>CTM1762T</b>	4,458	L1	24.56	365	90.2	460	24.4	71
25-6.25	1800/900	284T	<b>CTM1763T</b>	5,187	L1	27.44	435	91	460	25	71
30-7.5	1800/900	286T	<b>CTM1764T</b>	5,954	L1	27.44	455	91	460	36.6	71
40-10	1800/900	324T	<b>CTM1765T</b>	7,817	L1	30.44	629	92.4	460	49.5	71
50-12.5	1800/900	326T	<b>CTM1766T</b>	9,222	L1	30.44	678	90.2	460	60.5	71
60-15	1800/900	364T	<b>CTM1767T</b>	13,356	L1	33.44	865	92.4	460	69.6	71
75-18.75	1800/900	365T	<b>CTM1768T</b>	16,735	L1	33.44	890	93.6	460	87.3	71
100-25	1800/900	405T	<b>CTM1769T</b>	20,633	L1	38.31	1,260	94.5	460	110	71

<sup>(a)</sup> Full load efficiency is at 1800 RPM and low speed efficiency is not published.

<sup>(b)</sup> See notes on inside back flap and pages 5-6.

■ Cast Iron Frame

General Information

Premium Efficient Super-E® Motors

Single Phase Motors

General Purpose Industrial Motors

Severe Duty Motors

Washdown Duty Motors

Explosion Proof Motors

Pump Motors

Commercial Motors

**Three Phase, ODP,  
Resilient Base**

**1/2 thru 3 Hp**

**NEMA 56 thru 56HZ**

**Applications:** Heating, ventilation and air conditioning blower and fan motors.



**Features:** Heavy-gauge steel base, ball bearings, automatic thermal overload. Suitable for mounting in any position. Dynamically balanced rotors for reduced vibration and quiet operation.

Hp	RPM	NEMA Frame	Catalog Number	List Price	Mult. Sym.	"C" Dim.	Aprx. Wt. (lb)	Full Load Efficiency	Voltage	Full Load Amps	Notes (a)
1/2	1800	56H	<b>RM3108A</b>	409	K	11.97	24	74	230/460	1	30,36
	3600	56H	<b>RM3111A</b>	412	K	11.97	23	74	230/460	1.3	30,36
3/4	1800	56H	<b>RM3112A</b>	441	K	11.97	27	74	230/460	1.5	30,36
	3600	56H	<b>RM3115A</b>	433	K	11.59	25	75.5	230/460	1.6	30,36
1	1800	56H	<b>RM3116A</b>	459	K	11.42	27	77	208-230/460	1.6	36
	3600	56H	<b>RM3120A</b>	491	K	11.97	30	81.5	230/460	2	30,36
1 1/2	1800	56H	<b>RM3154A</b>	488	K	11.42	33	78.5	208-230/460	2.4	36
	3600	56H	<b>RM3155A</b>	568	K	12.47	33	80	230/460	2.7	30,36
2	1800	56H	<b>RM3157A</b>	559	K	12.42	40	81.5	208-230/460	2.9	36
	3600	56HZ	<b>RM3158TA</b>	562	K	12.76	45	81.5	208-230/460	4	37
3	1800	56HZ	<b>RM3161TA</b>	611	K	15.01	55	82.5	208-230/460	4.1	37

(a) See notes on inside back flap and pages 5-6.

General Information

Premium Efficient Super-E® Motors

Single Phase Motors

General Purpose Industrial Motors

Severe Duty Motors

Washdown Duty Motors

Explosion Proof Motors

Pump Motors

Commercial Motors

HVAC Motors



BALDOR • RELIANCE

**Super-E and Standard-E, Three Phase, ODP, Foot Mounted**

**1 thru 100 Hp**

**NEMA 143T thru 404T**

**Applications:** Heating, ventilation and air conditioning blower and fan motors.

**Features:** Class F insulated motor with 1.15 service factor or higher that operates within class "B" temperature limits at rated horsepower. Heavy-gauge steel frame construction, ball bearings, grease passages have plugs. Dynamically balanced rotors for reduced vibration and quiet operation. Suitable for mounting in any position. "EHM" models meet NEMA Premium® efficiencies. Inverter Ready and have a 3-year warranty. "HM" models meet EPAct efficiencies. Includes lifting provisions on all frame sizes and bar-coded spec number label.



Hp	RPM	NEMA Frame	Catalog Number	List Price	Mult. Sym.	"C" Dim.	Aprx. Wt. (lb)	Full Load Efficiency	Voltage	Full Load Amps	Notes (a)
<b>F1 Mounting</b>											
1	1800	143T	<b>EHM3116T</b>	527	LS	11.12	34	85.5	208-230/460	1.4	
		143T	<b>HM3116T</b>	344	LS	11.12	31	82.5	208-230/460	1.65	
1 1/2	1800	145T	<b>EHM3154T</b>	548	LS	12.13	38	88.5	208-230/460	2.1	
		145T	<b>HM3154T</b>	364	LS	11.12	39	84	208-230/460	2.2	
2	1800	145T	<b>EHM3157T</b>	590	LS	13.00	46	86.5	208-230/460	2.7	
		145T	<b>HM3157T</b>	394	LS	11.62	41	84	208-230/460	3	
3	1800	182T	<b>EHM3211T</b>	635	LS	15.00	75	90.2	208-230/460	4	
		182T	<b>HM3211T</b>	426	LS	14.63	49	86.5	208-230/460	4.2	
5	1800	184T	<b>EHM3218T</b>	691	LS	16.50	82	90.2	208-230/460	6.6	
		184T	<b>HM3218T</b>	464	LS	15.00	68	87.5	208-230/460	6.9	
7 1/2	1800	213T	<b>EHM3311T</b>	1,014	LS	16.32	109	91.7	208-230/460	9.6	
		213T	<b>HM3311T</b>	645	LS	17.00	92	88.5	208-230/460	10	
10	1800	215T	<b>EHM3313T</b>	1,225	LS	17.45	124	91.7	208-230/460	12.5	
		215T	<b>HM3313T</b>	808	LS	16.32	108	89.5	208-230/460	13.4	
15	1800	254T	<b>EHM2523T</b>	1,737	LS	21.69	234	93	208-230/460	17.7	
		254T	<b>HM2523T</b>	1,244	LS	19.75	159	91	208-230/460	19	
20	1800	256T	<b>EHM2515T</b>	2,179	LS	21.69	255	93	230/460	23.5	30
		256T	<b>HM2515T</b>	1,485	LS	22.25	235	91.7	230/460	24	30
25	1800	284T	<b>EHM2531T</b>	2,655	LS	23.81	330	94.1	230/460	30	30
		284T	<b>HM2531T</b>	1,836	LS	23.44	226	91.7	230/460	30	30
30	1800	286T	<b>EHM2535T</b>	2,904	LS	25.06	379	94.1	230/460	35	30
		286T	<b>HM2535T</b>	2,120	LS	24.94	249	92.4	230/460	36	30
40	1800	324T	<b>EHM2539T</b>	3,786	LS	26.69	523	94.5	230/460	46	30
		324T	<b>HM2539T</b>	2,732	LS	26.19	340	93	230/460	47.5	30
50	1800	324T	<b>EHM2543T</b>	4,649	LS	27.69	515	94.5	230/460	57	30
		324T	<b>HM2543T</b>	3,167	LS	27.19	378	93	230/460	60.5	30
60	1800	364T	<b>EHM2547T</b>	5,259	LS	29.94	557	95	230/460	68	
		364T	<b>HM2547T</b>	3,909	LS	27.94	479	93.6	230/460	72.5	30
75	1800	365T	<b>EHM2551T</b>	6,455	LS	33.72	616	95	230/460	85	
		365T	<b>HM2551T</b>	4,787	LS	29.94	544	94.1	230/460	88	30
100	1800	404T	<b>EHM2555T</b>	7,360	LS	36.97	552	95.4	230/460	113	
		404T	<b>HM2555T</b>	6,078	LS	35.22	618	94.1	230/460	119	30
<b>F2 Mounting</b>											
1	1800	143T	<b>EHFM3116T</b>	527	LS	11.12	33	85.5	208-230/460	1.4	
		143T	<b>HFM3116T</b>	347	LS	11.12	31	82.5	208-230/460	1.65	
1 1/2	1800	145T	<b>EHFM3154T</b>	551	LS	13.00	41	88.5	208-230/460	2.1	
		145T	<b>HFM3154T</b>	368	LS	11.62	36	84	208-230/460	2.2	
2	1800	145T	<b>EHFM3157T</b>	590	LS	13.00	46	86.5	208-230/460	2.7	
		145T	<b>HFM3157T</b>	398	LS	11.62	41	84	208-230/460	3	
3	1800	182T	<b>EHFM3211T</b>	635	LS	15.00	72	90.2	208-230/460	4	
		182T	<b>HFM3211T</b>	430	LS	14.00	49	86.5	208-230/460	4.2	
5	1800	184T	<b>EHFM3218T</b>	691	LS	16.50	82	90.2	208-230/460	6.6	
		184T	<b>HFM3218T</b>	468	LS	15.00	66	87.5	208-230/460	6.9	
7 1/2	1800	213T	<b>EHFM3311T</b>	1,014	LS	16.32	112	91.7	208-230/460	9.6	
		213T	<b>HFM3311T</b>	652	LS	17.00	92	88.5	208-230/460	10	

(a) See notes on inside back flap and pages 5-6.

### Super-E and Standard-E, Three Phase, ODP, Foot Mounted

Hp	RPM	NEMA Frame	Catalog Number	List Price	Mult. Sym.	"C" Dim.	Aprx. Wt. (lb)	Full Load Efficiency	Voltage	Full Load Amps	Notes (a)
<b>F2 Mounting (continued)</b>											
10	1800	215T	<b>EHFM3313T</b>	1,225	LS	17.45	134	91.7	208-230/460	12.5	
		215T	<b>HFM3313T</b>	816	LS	16.32	111	89.5	208-230/460	13.4	
15	1800	254T	<b>EHFM2523T</b>	1,737	LS	21.69	245	93	208-230/460	17.7	
		254T	<b>HFM2523T</b>	1,221	LS	19.75	157	91	208-230/460	19	
20	1800	256T	<b>EHFM2515T</b>	2,179	LS	21.69	245	93	230/460	23.5	30
		256T	<b>HFM2515T</b>	1,486	LS	21.69	229	91	230/460	25	30
25	1800	284T	<b>EHFM2531T</b>	2,655	LS	23.81	330	94.1	230/460	30	30
		284T	<b>HFM2531T</b>	1,802	LS	23.44	226	91.7	230/460	30	30
30	1800	286T	<b>EHFM2535T</b>	2,904	LS	25.06	379	94.1	230/460	35	30
		286T	<b>HFM2535T</b>	2,081	LS	24.94	255	92.4	230/460	36	30
40	1800	324T	<b>EHFM2539T</b>	3,786	LS	26.69	479	94.5	230/460	46	30
		324T	<b>HFM2539T</b>	2,683	LS	26.19	365	93	230/460	47.5	30
50	1800	324T	<b>EHFM2543T</b>	4,179	LS	27.69	505	94.5	230/460	57	30
		324T	<b>HFM2543T</b>	3,109	LS	27.19	369	93	230/460	60.5	30
60	1800	364T	<b>EHFM2547T</b>	5,259	LS	30.69	563	95	230/460	68	30
		364T	<b>HFM2547T</b>	3,837	LS	27.94	479	93.6	230/460	72.5	30
75	1800	365T	<b>EHFM2551T</b>	6,455	LS	33.72	616	95	230/460	85	
		365T	<b>HFM2551T</b>	4,698	LS	29.94	544	94.1	230/460	88	30
100	1800	404T	<b>EHFM2555T</b>	7,360	LS	36.97	552	95.4	230/460	113	
		404T	<b>HFM2555T</b>	5,967	LS	35.22	618	94.1	230/460	119	30

(a) See notes on inside back flap and pages 5-6.

General Information

Premium Efficient Super-E® Motors

Single Phase Motors

General Purpose Industrial Motors

Severe Duty Motors

Washdown Duty Motors

Explosion Proof Motors

Pump Motors

Commercial Motors

HVAC Motors

**Three Phase, ODP**

**1/4 thru 5 Hp**

**NEMA 56 thru 184T**

**Applications:** Ventilators, direct-drive or belted fan and ventilation applications.



**Features:** Heavy-gauge steel base, ball bearings, suitable for mounting in any position. Dynamically balanced rotors for reduced vibration and quiet operation.

Hp	RPM	NEMA Frame	Catalog Number	List Price	Mult. Sym.	"C" Dim.	Aprx. Wt. (lb)	Full Load Efficiency	Voltage	Full Load Amps	Notes (a)
<b>Foot Mounted</b>											
1/2	1800	56	<b>HM3108</b>	291	K	9.51	22	74	230/460	1	1,30
		56	<b>HM3108A</b>	373	K	10.34	23	74	230/460	1	30
3/4	1800	56	<b>HM3112</b>	321	K	10.97	26	75.5	208-230/460	1.5	
		56	<b>HM3112A</b>	411	K	10.97	26	74	230/460	1.5	30
1	1800	56HZ	<b>HM3116</b>	363	K	12.13	32	78.5	230/460	1.7	30
		56HZ	<b>HM3116A</b>	453	K	12.13	32	74	208-230/460	2	
1 1/2	1800	56HZ	<b>HM3154</b>	417	K	12.13	36	81.5	208-230/460	2.2	
		56HZ	<b>HM3154A</b>	500	K	12.13	33	81.5	208-230/460	2.2	
2	1800	56HZ	<b>HM3157</b>	438	K	12.13	39	81.5	208-230/460	2.9	
		56HZ	<b>HM3157A</b>	521	K	12.13	36	81.5	208-230/460	2.9	
3	1800	56HZ	<b>HM3161A</b>	568	K	13.00	47	82.5	208-230/460	4.1	
5	1800	184T	<b>HM3218TA</b>	641	L1	15.00	72	87.5	208-230/460	7	
<b>Resilient Base</b>											
1/4	1800	48	<b>RHM3003</b>	255	K	10.34	19	64	230/460	0.65	30
1/3	1800	48	<b>RHM3007</b>	258	K	10.34	25	68	230/460	0.8	30
		56	<b>RHM3104</b>	292	K	10.97	21	68	230/460	0.8	30
1/2	1800	48	<b>RHM3010</b>	323	K	10.34	22	72	230/460	1	30
		56	<b>RHM3108</b>	335	K	10.97	24	74	230/460	1	30
		56	<b>RHM3108A</b>	387	K	11.59	24	74	230/460	1	30
3/4	3600	56	<b>RHM3111</b>	337	K	10.97	24	75.5	230/460	1.2	30
		56H	<b>RHM3111A</b>	390	K	11.59	23	74	230/460	1.3	30
	1800	56	<b>RHM3112</b>	369	K	12.47	31	77	230/460	1.2	30
1	3600	56H	<b>RHM3112A</b>	417	K	11.59	26	74	230/460	1.5	30
		56	<b>RHM3115</b>	358	K	10.97	24	75.5	230/460	1.8	30
		56	<b>RHM3115A</b>	413	K	11.59	24	75.5	230/460	1.6	30
1 1/2	1800	56	<b>RHM3116</b>	388	K	12.47	32	78.5	230/460	1.7	30
		56H	<b>RHM3116A</b>	440	K	12.47	33	78.5	230/460	1.7	30
		56H	<b>RHM3120A</b>	467	K	12.47	32	81.5	230/460	2	30
2	3600	56H	<b>RHM3154</b>	448	K	11.42	37	81.5	208-230/460	2.2	
		56H	<b>RHM3154A</b>	452	K	12.42	38	81.5	208-230/460	2.2	
		56H	<b>RHM3155A</b>	541	K	12.47	33	80	230/460	2.7	30
3	1800	56H	<b>RHM3157</b>	487	K	12.42	38	81.5	208-230/460	2.9	
		56H	<b>RHM3157A</b>	521	K	12.42	38	81.5	208-230/460	2.9	
		56H	<b>RHM3158</b>	599	K	12.42	42	82.5	208-230/460	3.8	
5	3600	145T	<b>RHM3158TA</b>	590	L1	12.79	41	84	208-230/460	3.9	
		145T	<b>RHM3161TA</b>	575	L1	15.04	60	86.5	208-230/460	4	1
5	3600	56HZ	<b>RHM3162TA</b>	806	K	13.64	53	80	208-230/460	6.5	1

(a) See notes on inside back flap and pages 5-6.

General Information

Premium Efficient Super-E® Motors

Single Phase Motors

General Purpose Industrial Motors

Severe Duty Motors

Washdown Duty Motors

Explosion Proof Motors

Pump Motors

Commercial Motors

**HVAC**  
**Variable Torque,**  
**Three Phase, ODP**

**1/2 thru 75 Hp**

**NEMA 56 thru 365T**

**Applications:** Heating, ventilation and air conditioning blower and fan motors.



**Features:** Heavy-gauge steel frame construction, ball bearings, 1.15 service factor. Dynamically balanced rotors for reduced vibration and quiet operation. Suitable for mounting in any position. "HM" models meet EPCo efficiencies. "EHM" models are above EPCo efficiency, but do not meet NEMA Premium® efficiencies. H3M and EH3M motors use low profile top-mounted conduit box.

Hp	RPM	NEMA Frame	Catalog Number	List Price	Mult. Sym.	"C" Dim.	Aprx. Wt. (lb)	Full Load Efficiency	Voltage	Full Load Amps	Notes (a)
<b>F1 Mounting</b>											
1	1800	56HZ	HM9210	336	LS	12.13	31	78.5	230/460	1.7	30
1 1/2	1800	145T	EHM9214T	508	LS	11.62	37	85.5	208-230/460	2.1	1
		145T	HM9214T	356	LS	11.62	36	84	208-230/460	2.2	
2	1800	145T	EHM9218T	599	LS	12.13	42	85.5	208-230/460	2.7	1
		145T	HM9218T	386	LS	11.62	39	84	208-230/460	3	
3	1800	182T	EHM9222T	644	LS	15.38	63	87.5	208-230/460	4.2	1
		182T	HM9222T	418	LS	14.63	60	86.5	208-230/460	4.2	
5	1800	184T	EHM9226T	705	LS	16.50	81	88.5	230/460	6.7	1,30
		184T	HM9226T	461	LS	15.00	68	87.5	208-230/460	6.9	
7 1/2	1800	213T	EHM9229T	1,037	LS	17.45	117	91.7	208-230/460	9.4	1
		213T	HM9229T	642	LS	17.00	95	88.5	208-230/460	10	
10	1800	215T	EHM9232T	1,256	LS	16.32	143	90.2	208-230/460	13.4	1
		215T	HM9232T	805	LS	16.32	117	89.5	208-230/460	13.4	
15	1800	254T	EHM9235T	1,779	LS	20.50	187	91.7	208-230/460	19.2	1
		254T	HM9235T	1,207	LS	19.75	165	91	208-230/460	19	
20	1800	256T	HM9239T	1,469	LS	22.25	235	91.7	230/460	24	30
25	1800	284T	HM9242T	1,782	LS	23.44	226	91.7	230/460	30	30
30	1800	286T	EHM9246T	2,980	LS	25.06	339	93	230/460	37	1,30
		286T	HM9246T	2,058	LS	24.94	280	92.4	230/460	36	30
40	1800	324T	HM9249T	2,655	LS	26.19	350	93	230/460	47.5	30
50	1800	324T	HM9252T	3,076	LS	27.19	500	93	230/460	60.5	30
		326T	EHM9252T	4,291	LS	27.19	380	93.6	230/460	62	1,30
60	1800	364T	HM9255T	3,798	LS	27.94	523	93.6	230/460	72.5	30
75	1800	365T	HM9258T	4,651	LS	29.94	544	94.1	230/460	88	30
<b>F3 Mounting</b>											
1/2	3600	56	H3M9201	241	LS	10.25	20	68	230/460	1	28,30
	1800	56	EH3M9202	358	LS	10.25	24	80	230/460	0.85	28,30
			56	H3M9202	270	LS	10.25	22	74	230/460	1
3/4	3600	56	EH3M9204	359	LS	10.88	25	81.5	230/460	1	1,28,30
		56	H3M9204	284	LS	10.25	24	78.5	230/460	1.1	28,30
	1800	56	EH3M9105	450	LS	11.97	31	78.5	230/460	1.2	28
56		H3M9205	299	LS	10.88	27	75.5	208-230/460	1.5		
1	3600	56	EH3M9206	415	LS	11.75	29	82.5	230/460	1.25	1,28,30
		56	H3M9206	326	LS	10.88	27	77	208-230/460	1.6	
1 1/2	1800	56Z	H3M9210	339	LS	12.13	33	78.5	230/460	1.7	28,30
		143T	EH3M9210T	537	LS	11.12	37	84	208-230/460	1.5	1
	3600	143T	H3M9212T	394	LS	11.12	32	82.5	208-230/460	2	
2	1800	143T	H3M9214T	360	LS	11.12	39	84	208-230/460	2.2	
		145T	EH3M9214T	558	LS	11.62	39	85.5	208-230/460	2.1	1
	3600	143T	EH3M9217T	617	LS	11.62	43	85.5	208-230/460	2.5	1
3	1800	145T	H3M9217T	435	LS	11.62	41	84	208-230/460	2.6	
		145T	EH3M9218T	599	LS	12.13	45	85.5	208-230/460	2.7	1
	3600	145T	H3M9218T	390	LS	11.62	43	84	208-230/460	3	
3	1800	145T	EH3M9221T	625	LS	13.00	48	85.5	208-230/460	3.7	1
		145T	H3M9221T	462	LS	12.12	47	84	208-230/460	3.7	
	3600	182T	EH3M9222T	644	LS	15.38	64	87.5	208-230/460	4.2	1
		182T	H3M9222T	422	LS	14.00	39	86.5	208-230/460	4.2	

(a) See notes on inside back flap and pages 5-6.

General Information

Premium Efficient Super-E® Motors

Single Phase Motors

General Purpose Industrial Motors

Severe Duty Motors

Washdown Duty Motors

Explosion Proof Motors

Pump Motors

Commercial Motors

HVAC Motors

**HVAC Variable Torque, Three Phase, ODP**

Hp	RPM	NEMA Frame	Catalog Number	List Price	Mult. Sym.	"C" Dim.	Aprx. Wt. (lb)	Full Load Efficiency	Voltage	Full Load Amps	Notes (a)
<b>F3 Mounting (continued)</b>											
5	3600	182T	<b>EH3M9225T</b>	684	LS	14.63	59	86.5	230/460	6	1,28,30
		182T	<b>H3M9225T</b>	478	LS	14.00	55	85.5	208-230/460	6.1	
	1800	184T	<b>H3M9226T</b>	705	LS	16.50	78	88.5	230/460	6.7	1,28,30
		184T	<b>H3M9226T</b>	465	LS	15.00	69	87.5	208-230/460	6.9	
7 1/2	3600	184T	<b>EH3M9228T</b>	1,084	LS	15.00	74	89.5	230/460	16.6	1,28,30
		184T	<b>H3M9228T</b>	658	LS	15.00	66	87.5	208-230/460	8.7	
	1800	213T	<b>EH3M9229T</b>	1,037	LS	17.45	117	91.7	208-230/460	9.4	1
		213T	<b>H3M9229T</b>	649	LS	17.00	104	88.5	208-230/460	10	
10	3600	213T	<b>EH3M9231T</b>	1,235	LS	16.32	116	89.5	208-230/460	12	1
		213T	<b>H3M9231T</b>	826	LS	16.32	107	88.5	208-230/460	11.6	
	1800	215T	<b>EH3M9232T</b>	1,256	LS	16.32	142	90.2	208-230/460	13.4	1
		215T	<b>H3M9232T</b>	813	LS	16.32	110	89.5	208-230/460	13.4	
15	3600	215T	<b>EH3M9233T</b>	1,760	LS	17.45	140	91	230/460	32.4	1,28,30
		215T	<b>H3M9233T</b>	1,206	LS	16.32	125	89.5	208-230/460	17.5	
	1800	254T	<b>EH3M9235T</b>	1,779	LS	20.50	187	91.7	208-230/460	19.2	1
		254T	<b>H3M9235T</b>	1,218	LS	19.75	158	91	208-230/460	19	
20	3600	254T	<b>H3M9238T</b>	1,541	LS	19.75	170	90.2	208-230/460	22	
		256T	<b>EH3M9238T</b>	2,066	LS	21.69	186	91	230/460	23.5	1,28,30
	1800	256T	<b>EH3M9239T</b>	2,235	LS	21.69	242	91.7	230/460	25	1,28,30
		256T	<b>H3M9239T</b>	1,483	LS	22.25	235	91.7	230/460	24	28,30
25	3600	256T	<b>H3M9241T</b>	1,862	LS	21.69	221	91	230/460	29	28,30
		284T	<b>EH3M9242T</b>	2,724	LS	23.81	312	92.4	230/460	32	1,28,30
	1800	284T	<b>H3M9242T</b>	1,799	LS	23.44	252	91.7	230/460	30	28,30
		284TS	<b>EH3M9244T</b>	2,927	LS	23.56	250	91.7	230/460	33	1,28,30
30	3600	284TS	<b>H3M9244T</b>	1,972	LS	22.06	235	91	230/460	35	28,30
		286T	<b>EH3M9246T</b>	2,980	LS	25.06	339	93	230/460	37	1,28,30
	1800	286T	<b>H3M9246T</b>	2,078	LS	24.94	249	92.4	230/460	36	28,30
		286TS	<b>EH3M9248T</b>	3,774	LS	23.56	288	92.4	230/460	45	1,28,30
40	3600	286TS	<b>H3M9248T</b>	2,779	LS	23.56	251	91.7	230/460	46	28,30
		324T	<b>EH3M9249T</b>	3,888	LS	27.19	378	93.6	230/460	48	1,28,30
	1800	324T	<b>H3M9249T</b>	2,680	LS	26.19	339	93	230/460	47.5	28,30
		324T	<b>H3M9252T</b>	3,106	LS	27.19	378	93	230/460	60.5	28,30
60	1800	364T	<b>H3M9255T</b>	3,834	LS	27.94	475	93.6	230/460	72.5	28,30
75	1800	365T	<b>EH3M9258T</b>	6,635	LS	30.69	553	94.5	230/460	86	1,28,30
		365T	<b>H3M9258T</b>	4,695	LS	29.94	544	94.1	230/460	88	28,30

(a) See notes on inside back flap and pages 5-6.

General Information

Premium Efficient Super-E@ Motors

Single Phase Motors

General Purpose Industrial Motors

Severe Duty Motors

Washdown Duty Motors

Explosion Proof Motors

Pump Motors

Commercial Motors

HVAC Motors

**HVAC**  
**Variable Torque,**  
**Three Phase, TEFC**

**1/2 thru 75 Hp**

**NEMA 56 thru 365T**

**Applications:** Heating, ventilation and air conditioning blower and fan motors.



**Features:** Heavy-gauge steel frame construction (1-10 hp), ball bearings, 1.15 service factor. Dynamically balanced rotors for reduced vibration and quiet operation. Suitable for mounting in any position. "HM" models meet EPart efficiencies. "EHM" models are above EPart efficiency, but do not meet NEMA Premium® efficiencies. H3M and EH3M motors use low profile top-mounted conduit box.

Hp	RPM	NEMA Frame	Catalog Number	List Price	Mult. Sym.	"C" Dim.	Aprx. Wt. (lb)	Full Load Efficiency	Voltage	Full Load Amps	Notes (a)
<b>F1 Mounting</b>											
1	1800	56HZ	HM9110T	376	LS	13.22	34	78.5	208-230/460	1.7	
		143T	EHM9110T	609	LS	13.31	35	84	208-230/460	0	1
1 1/2	1800	145T	EHM9114T	635	LS	13.31	43	85.5	208-230/460	2	1
		145T	HM9114T	383	LS	13.31	40	84	208-230/460	2.2	
2	1800	145T	EHM9118T	658	LS	14.19	54	85.5	208-230/460	2.7	1
		145T	HM9118T	402	LS	13.31	42	84	208-230/460	2.9	
3	1800	182T	EHM9122T	740	LS	16.79	74	88.5	208-230/460	3.9	1
		182T	HM9122T	475	LS	16.52	67	87.5	208-230/460	4.15	
5	1800	184T	EHM9126T	810	LS	18.29	92	88.5	230/460	6.4	1,30
		184T	HM9126T	543	LS	16.79	75	87.5	230/460	7.1	30
7 1/2	1800	213T	EHM9129T	1,167	LS	19.03	115	91.7	208-230/460	9.4	1
		213T	HM9129T	696	LS	17.89	128	89.5	208-230/460	10.1	1
10	1800	215T	EHM9132T	1,316	LS	19.03	126	90.2	208-230/460	12.8	1
		215T	HM9132T	850	LS	19.03	127	89.5	208-230/460	13.5	1
15	1800	254T	EHM9135T	2,030	LS	23.57	255	91.7	230/460	18.3	1,30
		254T	HM9135T	1,453	LS	21.07	236	91	208-230/460	18.5	1
20	1800	256T	EHM9139T	2,461	LS	23.28	265	91.7	230/460	24	1,30
		256T	HM9139T	1,793	LS	22.82	269	91	230/460	25	1,30
25	1800	284T	EHM9142T	3,221	LS	27.76	403	93	230/460	30	1
		284T	HM9142T	2,226	LS	25.97	416	92.4	230/460	29	1,30
30	1800	286T	EHM9146T	3,825	LS	27.76	353	93	230/460	36	1
		286T	HM9146T	2,587	LS	26.08	322	92.4	230/460	36	1,30
40	1800	324T	EHM9149T	5,000	LS	30.40	579	93.6	230/460	46	1
		324T	HM9149T	3,454	LS	30.39	455	93	230/460	47	1
50	1800	326T	EHM9152T	5,463	LS	30.40	611	93.6	230/460	58	1
		326T	HM9152T	3,603	LS	30.40	566	93	230/460	59	1,30
60	1800	364T	EHM9155T	8,737	LS	32.84	808	94.1	230/460	70	1
		364T	HM9155T	5,395	LS	32.84	753	93.6	230/460	70	1,30
75	1800	365T	HM9158T	6,665	LS	32.84	810	94.1	230/460	86	1,30
<b>F3 Mounting</b>											
1/2	3600	56	EH3M9101	442	LS	11.35	21	72	230/460	1	2,28
		56	H3M9101	282	LS	11.35	21	68	230/460	1	28
	1800	56	EH3M9102	432	LS	11.35	27	76	230/460	1	28
		56	H3M9102	306	LS	11.35	24	74	230/460	1	28
3/4	3600	56	EH3M9104	483	LS	11.35	24	81.5	230/460	1	1,28
		56	H3M9104	311	LS	11.35	24	75.5	230/460	1.2	28
1	1800	56	H3M9105	387	LS	11.35	27	75.5	208-230/460	1.5	
		56	EH3M9106	472	LS	11.35	25	77	230/460	1.4	1,28
	3600	56	H3M9106	364	LS	11.35	24	75.5	230/460	1.8	28
		56Z	H3M9110	390	LS	13.22	31	78.5	208-230/460	1.7	
1 1/2	1800	143T	EHM9110T	609	LS	12.31	34	84	208-230/460	0	1
		143T	EH3M9112T	625	LS	13.31	42	84	208-230/460	1.9	1
	3600	143T	H3M9112T	487	LS	13.31	42	82.5	208-230/460	2.1	
		145T	EH3M9114T	635	LS	13.31	39	85.5	208-230/460	2	1
1800	145T	H3M9114T	387	LS	13.31	44	84	208-230/460	2.2		

(a) See notes on inside back flap and pages 5-6.

■ Cast Iron Frame

General Information

Premium Efficient Super-E® Motors

Single Phase Motors

General Purpose Industrial Motors

Severe Duty Motors

Washdown Duty Motors

Explosion Proof Motors

Pump Motors

Commercial Motors

HVAC Motors



**HVAC Variable Torque, Three Phase, TEFC**

Hp	RPM	NEMA Frame	Catalog Number	List Price	Mult. Sym.	"C" Dim.	Aprx. Wt. (lb)	Full Load Efficiency	Voltage	Full Load Amps	Notes (a)
<b>F3 Mounting (continued)</b>											
2	3600	145T	<b>EH3M9117T</b>	685	LS	14.19	49	86.5	230/460	2.4	1,28
		145T	<b>H3M9117T</b>	559	LS	13.31	41	84	208-230/460	2.6	
	1800	145T	<b>H3M9118T</b>	658	LS	14.19	51	85.5	208-230/460	2.7	1
		145T	<b>H3M9118T</b>	405	LS	13.31	45	84	208-230/460	2.9	
3	3600	182T	<b>EH3M9121T</b>	760	LS	15.14	56	86.5	208-230/460	3.6	1
		182T	<b>H3M9121T</b>	590	LS	15.14	68	85.5	208-230/460	3.7	1
	1800	182T	<b>EH3M9122T</b>	740	LS	16.79	75	88.5	208-230/460	3.9	1
		182T	<b>H3M9122T</b>	479	LS	16.52	68	87.5	208-230/460	4.1	
5	3600	184T	<b>EH3M9125T</b>	840	LS	16.79	70	88.5	208-230/460	5.6	1
		184T	<b>H3M9125T</b>	679	LS	16.79	69	87.5	208-230/460	5.8	1
	1800	184T	<b>EH3M9126T</b>	810	LS	18.29	92	88.5	230/460	6.4	1,28
		184T	<b>H3M9126T</b>	548	LS	16.79	78	87.5	230/460	7.1	28
7 1/2	3600	213T	<b>EH3M9128T</b>	1,261	LS	17.91	116	89.5	208-230/460	8.6	1
		213T	<b>H3M9128T</b>	999	LS	18.55	105	88.5	208-230/460	8.7	1
	1800	213T	<b>EH3M9129T</b>	1,167	LS	19.03	113	91.7	208-230/460	9.4	1
		213T	<b>H3M9129T</b>	703	LS	17.91	116	89.5	208-230/460	10.1	1
10	3600	215T	<b>EH3M9131T</b>	1,279	LS	19.03	140	90.2	230/460	11.5	1,28
		215T	<b>H3M9131T</b>	1,048	LS	17.91	125	89.5	208-230/460	11.5	1
	1800	215T	<b>EH3M9132T</b>	1,316	LS	19.03	137	90.2	208-230/460	12.8	1
		215T	<b>H3M9132T</b>	858	LS	19.03	128	89.5	208-230/460	13.5	1
15	3600	254T	<b>H3M9133T</b>	1,659	LS	21.57	158	90.2	208-230/460	17	1
		254T	<b>EH3M9135T</b>	2,030	LS	23.57	242	91.7	230/460	18.3	1,28
	1800	254T	<b>H3M9135T</b>	1,466	LS	22.07	187	91	208-230/460	19.4	
20	1800	256T	<b>EH3M9139T</b>	2,461	LS	23.57	248	91.7	230/460	23	1,28
		256T	<b>H3M9139T</b>	1,810	LS	23.57	250	91	230/460	24	1,28

(a) See notes on inside back flap and pages 5-6.

General Information

Premium Efficient Super-E@ Motors

Single Phase Motors

General Purpose Industrial Motors

Severe Duty Motors

Washdown Duty Motors

Explosion Proof Motors

Pump Motors

Commercial Motors

HVAC Motors

**(PSC) -  
Direct Drive Fan,  
Single Phase, TEAO**

**1/4 thru 3/4 Hp**

**NEMA 48Z thru 56Z**

**Applications:** Confinement houses, exhaust fans, air handling fans, unit heaters.



**Features:** Double sealed ball bearings, rugged steel frame, corrosion resistant epoxy finish. 1" extended thru bolts. Permanent split capacitor.

Hp	RPM	NEMA Frame	Catalog Number	List Price	Mult. Sym.	"C" Dim.	Aprx. Wt. (lb)	Full Load Efficiency	Voltage	Full Load Amps	Notes (a)
<b>Resilient Base</b>											
1/4	1800	48Z	<b>CHC3413A</b>	335	K	11.35	22	54	115/230	2.4	2,29
	1200	48Z	<b>CHC3414A</b>	396	K	11.97	25	51	115/230	2.2	2,29
1/3	1800	48Z	<b>CHC3416A</b>	364	K	11.97	25	56	115/230	2.8	2,29
	1200	48Z	<b>CHC3417A</b>	456	K	11.97	27	54	115/230	2.8	2,29
1/2	1800	56Z	<b>CHC3524A</b>	409	K	12.72	28	67	115/230	3.4	2,74
		56Z	<b>CHL3523A</b>	409	K	12.72	28	68	115/230	3.7	3,30,74
	1200	56Z	<b>CHC3525A</b>	524	K	13.54	40	62	115/230	3.6	2,74
3/4	1200	56Z	<b>CHC3526A</b>	648	K	14.42	47	50	115/230	4.6	2,74
		56Z	<b>CHC3528A</b>	620	K	14.42	47	71	115/230	4.5	2,74
<b>Foot Mounted</b>											
1/4	1800	48Z	<b>PSC3413A</b>	336	K	11.34	20	65.5	115/230	1.3	2,29
1/3	1800	48Z	<b>PSC3416A</b>	373	K	11.34	21	62	115/230	1.8	2,29
1/2	1800	48Z	<b>PSC3524A</b>	409	K	11.96	24	65	115/230	3	2,29

(a) See notes on inside back flap and pages 5-6.

**Condenser Fan,  
Three Phase, ODP,  
"Belly Band"  
Round Body**

**1/2 thru 1-1/2 Hp**

**NEMA 48YZ thru 56YZ**

**Applications:** Designed specifically for use on commercial refrigeration condenser units and air conditioning units.



**Features:** Corrosion resistant finish, ball bearings, dynamically balanced for quiet operation. Automatic reset thermal. Shaft 6" long - keyway and flat are 90° apart. Reconnectable leads in pulley endplate.

Hp	RPM	NEMA Frame	Catalog Number	List Price	Mult. Sym.	"C" Dim.	Aprx. Wt. (lb)	Full Load Efficiency	Voltage	Full Load Amps	Notes (a)
1/2	1200	48YZ	<b>CFM3036A</b>	476	K	14.29	25	72	208-230/460	1.2	2,20
		56YZ	<b>CFM3136A</b>	492	K	15.30	26	70	208-230/460	1.2	
3/4	1200	48YZ	<b>CFM3046A</b>	516	K	16.02	34	77	208-230/460	1.5	2,20
		56YZ	<b>CFM3146A</b>	533	K	15.30	33	75.5	208-230/460	1.4	
1	1200	56YZ	<b>CFM3156A</b>	607	K	16.30	34	75.5	208-230/460	1.7	1
1 1/2	1200	56YZ	<b>CFM3166A</b>	661	K	17.18	47	76	208-230/460	2.5	

(a) See notes on inside back flap and pages 5-6.

General Information

Premium Efficient Super-E® Motors

Single Phase Motors

General Purpose Industrial Motors

Severe Duty Motors

Washdown Duty Motors

Explosion Proof Motors

Pump Motors

Commercial Motors

HVAC Motors

131

**BALDOR • RELIANCE**

**Three Phase,  
TEAO,  
Foot Mounted**

**1/4 thru 10 Hp**

**NEMA 48 thru 254T**

**Applications:** "In the Airstream" and fan-on-shaft applications.



**Features:** Locked drive end bearing construction, bearings sized for larger overhung loads for fan-on-shaft applications. 36" leads.

Hp	RPM	NEMA Frame	Catalog Number	List Price	Mult. Sym.	"C" Dim.	Aprx. Wt. (lb)	Full Load Efficiency	Voltage	Full Load Amps	Airflow Ft/Min	Notes (a)
1/4	1800	48	<b>AOM3454</b>	283	K	9.63	19	64	230/460	0.65	800	2,20,30
	1200	48	<b>AOM3455</b>	445	K	9.63	20	68	208-230/460	0.7	800	2,20
1/3	1800	48	<b>AOM3458</b>	316	K	9.63	19	68	230/460	0.85	800	2,20,30
	1200	56	<b>AOM3535</b>	469	K	10.25	25	70	208-230/460	0.9	800	2,20
1/2	1800	56	<b>AOM3538</b>	371	K	10.25	21	70	208-230/460	1	1000	2,20
	1200	56	<b>AOM3539</b>	552	K	10.88	25	72	208-230/460	1.2	1000	2,20
3/4	1800	56	<b>AOM3542</b>	400	K	10.25	23	72	208-230/460	1.6	1000	2,20
	1200	56	<b>AOM3543</b>	575	K	11.75	32	77	208-230/460	1.5	1000	2,20
1	1800	143T	<b>AOM3546T</b>	416	L1	11.81	32	75.5	208-230/460	1.8	800	2
	1200	145T	<b>AOM3556T</b>	527	L1	12.12	35	75.5	208-230/460	1.7	800	2
	900	182T	<b>AOM3617T</b>	1,020	L1	13.62	56	74	208-230/460	2.2	500	2
1 1/2	1800	145T	<b>AOM3554T</b>	433	L1	11.12	28	75.5	208-230/460	2.7	1000	2,20
	1200	182T	<b>AOM3607T</b>	602	L1	13.62	48	78.5	208-230/460	2.5	800	2,20
2	1800	145T	<b>AOM3558T</b>	459	L1	11.12	32	81.5	208-230/460	2.8	1000	2,20
	1200	184T	<b>AOM3614T</b>	646	L1	13.62	56	80	208-230/460	3.2	1200	2,20
	900	213T	<b>AOM3702T</b>	1,548	L1	16.32	88	82.5	208-230/460	3.5	700	2
3	1800	182T	<b>AOM3611T</b>	538	L1	13.62	55	81.5	208-230/460	4.3	1200	2,20
	1200	213T	<b>AOM3704T</b>	810	L1	16.32	90	77	208-230/460	5	1800	2,20
	900	215T	<b>AOM3705T</b>	1,692	L1	17.45	112	86.5	208-230/460	5.2	800	2,20
5	1800	184T	<b>AOM3615T</b>	622	L1	15.00	71	85.5	208-230/460	6.6	1500	1
	1200	215T	<b>AOM3708T</b>	1,159	L1	16.32	111	82.5	208-230/460	7.5	1500	2,20
	900	254T	<b>AOM25904T</b>	2,690	L1	19.63	213	82.5	230/460	8.9	1000	1,30
7 1/2	1800	213T	<b>AOM3710T</b>	798	L1	16.32	114	87.5	208-230/460	10.9	1500	1
10	1800	215T	<b>AOM3714T</b>	968	L1	17.45	125	89.5	208-230/460	13.5	1500	2,20

(a) See notes on inside back flap and pages 5-6.

General Information

Premium Efficient Super-E® Motors

Single Phase Motors

General Purpose Industrial Motors

Severe Duty Motors

Washdown Duty Motors

Explosion Proof Motors

Pump Motors

Commercial Motors

HVAC Motors

Single Phase, TEFC

1/3 thru 10 Hp

NEMA 56 thru 215T

**Applications:** Wide variety of agri-duty and industrial applications.



**Features:** Ball bearings, lubricated with high temperature moisture-resistant grease. Condensation drains, gasketed cast conduit boxes. Farm Duty epoxy paint protects motor from harsh environments.

Hp	RPM	NEMA Frame	Catalog Number	List Price	Mult. Sym.	"C" Dim.	Aprx. Wt. (lb)	Full Load Efficiency	Voltage	Full Load Amps	Notes (a)
<b>Foot Mounted</b>											
1/3	1800	56	FDL3501M	351	K	11.35	23	60	115/230	3	30
1/2	1800	56	FDL3504M	412	K	11.97	28	68	115/230	3.7	30,52
3/4	1800	56	FDL3507M	486	K	13.35	38	74	115/230	4.4	52
1	1800	56H	FDL3510M	552	K	12.93	40	67	115/230	6.5	30,52
		143T	FDL3510TM	552	L1	13.31	38	67	115/230	6.5	30,52
1 1/2	1800	56H	FDL3514M	622	K	13.81	48	75.5	115/230	9	2,52
		145T	FDL3514TM	622	L1	14.19	48	75.5	115/230	9	2,52
<b>C-Face, Foot Mounted</b>											
1/3	1800	56C	CFDL3501M	475	K	11.35	24	60	115/230	3	30
1/2	1800	56C	CFDL3504M	545	K	11.97	29	68	115/230	3.7	30,52
3/4	1800	56C	CFDL3507M	635	K	13.35	37	74	115/230	4.4	52
1	1800	56CH	CFDL3510M	719	K	13.25	38	67	115/230	6.5	30,52
1 1/2	1800	56CH	CFDL3514M	810	K	14.12	48	75.5	115/230	9	2,52
2	1800	56CHZ	CFDL3516TM	1,029	K	14.19	53	78	230	8.3	1,52
<b>C-Face, Footless</b>											
1/3	1800	56C	VFDL3501M	457	K	11.35	23	60	115/230	3	30
1/2	1800	56C	VFDL3504M	526	K	11.97	28	68	115/230	3.7	30,52
3/4	1800	56C	VFDL3507M	613	K	13.35	38	74	115/230	4.4	52
1	1800	56C	VFDL3510M	696	K	13.25	39	67	115/230	6.5	30,52
1 1/2	1800	56C	VFDL3514M	790	K	14.12	47	75.5	115/230	9	2,52
<b>Foot Mounted, Extra High Torque</b>											
2	1800	56HZ	FDL3516TM	885	K	14.19	51	78	230	8.3	1,52
		182T	FDL3611TM	994	L1	16.55	75	75	115/230	14	2,52
		184	FDL3611M	1,021	L1	15.68	75	75	115/230	14	2,52
3	1800	184	FDL3610M	1,215	L1	17.18	89	80	230	15.5	2,20,52
		184T	FDL3610TM	1,185	L1	18.05	93	80	230	15.5	2,20,52
		184T	FDL3619TM	951	L1	16.54	81	81.5	230	13.2	2,20,52
5	1800	184T	FDL3612TM	1,245	L1	18.05	99	80	230	23	2,20,52
		215	FDL3731M	1,529	L1	18.64	125	84	230	20.5	2,20,52
7 1/2	1800	213	FDL3732M	1,764	L1	18.65	142	84	230	30	2,20,52
		213T	FDL3733TM	1,622	L1	19.02	139	84	230	30	2,20,52
10	1800	215T	FDL3712TM	1,784	L1	20.77	160	84	230	40	2,20,52,89
		215T	FDL3737TM	1,901	L1	21.27	162	86.5	230	39	2,20,52,89
<b>C-Face, Footless, Extra High Torque</b>											
2	1800	145TC	VFDL3516TM	1,027	L1	14.19	52	78	230	8.3	1,52
3	1800	184TC	VFDL3610TM	1,392	L1	18.05	97	80	230	15.5	2,20,52
5	1800	184TC	VFDL3612TM	1,704	L1	18.33	98	80	230	23	2,20,52

(a) See notes on inside back flap and pages 5-6.

Farm Duty Motors

Definite Purpose Motors

Unit Handling Motors

Brake Motors

200 & 575 Volt Motors

IEC Frame Motors

50 Hertz Motors

Inverter/Vector Motors & Controls

DC Motors and Controls

Soft Starters & Dynamic Brakes

**Grain Dryer/  
Centrifugal Fan,  
Single and  
Three Phase,  
TEFC and ODP**

**5 thru 50 Hp**

**NEMA 184TZ thru 326TZ**

**Applications:** High pressure grain drying and storage for commercial and farm applications.

**Features:** Shaft length is 1" longer than NEMA standard. Screens to protect against entry of trash, snakes and rodents. Three phase ratings meet EPAct efficiencies.



Hp	RPM	NEMA Frame	Catalog Number	List Price	Mult. Sym.	"C" Dim.	Aprx. Wt. (lb)	Full Load Efficiency	Voltage	Full Load Amps	Notes (a)
<b>Single Phase, Open Drip Proof</b>											
5	1800	184TZ	<b>GDL1605T</b>	1,367	L1	19.06	98	80	230	22.5	2,20
7 1/2	1800	215TZ	<b>GDL1607T</b>	1,797	L1	22.57	161	82.5	230	32	1
10	1800	215TZ	<b>GDL1610T</b>	2,080	L1	22.85	164	84	230	40	2,20
16	1800	256TZ	<b>GDL1615T</b>	3,095	L1	24.19	288	86.5	230	62	2,20
<b>Three Phase, Open Drip Proof</b>											
5	1800	184TZ	<b>GDM3218T</b>	755	L1	16.00	69	87.5	208-230/460	6.9	
7 1/2	1800	213TZ	<b>GDM3311T</b>	1,072	L1	18.00	92	88.5	208-230/460	10	
10	1800	215TZ	<b>GDM3313T</b>	1,300	L1	17.32	129	89.5	208-230/460	13.4	
15	1800	254TZ	<b>GDM2513T</b>	1,600	L1	21.00	172	91	208-230/460	19	1
20	1800	254TZ	<b>GDM2515T</b>	2,107	L1	23.25	165	91.7	230/460	24	30
25	1800	284TZ	<b>GDM2531T</b>	2,588	L1	24.44	329	91.7	230/460	31	30
30	1800	284TZ	<b>GDM2535T</b>	3,011	L1	25.94	351	92.4	230/460	36	30
<b>Three Phase, Totally Enclosed Fan Cooled</b>											
3	1800	182TZ	<b>GDM3611T</b>	757	L1	16.14	59	84	208-230/460	4.1	1
5	1800	184TZ	<b>GDM3615T</b>	876	L1	17.55	77	85.5	208-230/460	6.6	1
7 1/2	1800	213TZ	<b>GDM3710T</b>	1,116	L1	18.90	115	89.5	208-230/460	10.1	1
10	1800	215TZ	<b>GDM3714T</b>	1,801	L1	20.03	139	89.5	208-230/460	13.5	1
15	1800	254TZ	<b>GDM2333T</b>	2,381	L1	22.07	231	89.5	208-230/460	18.9	1
20	1800	256TZ	<b>GDM2334T</b>	2,549	L1	23.83	322	91	230/460	25	1,30
25	1800	284TZ	<b>GDM4103T</b>	3,628	L1	26.93	322	92.4	230/460	29	1,30
30	1800	286TZ	<b>GDM4104T</b>	4,284	L1	26.93	322	92.4	230/460	36	1,30
40	1800	324TZ	<b>GDM4110T</b>	5,689	L1	31.39	485	93	230/460	47	1
50	1800	326TZ	<b>GDM4115T</b>	5,893	L1	31.28	552	91	230/460	60	1,30

(a) See notes on inside back flap and pages 5-6.

■ Cast Iron Frame

Farm Duty Motors

Definite Purpose Motors

Unit Handling Motors

Brake Motors

200 & 575 Volt Motors

IEC Frame Motors

50 Hertz Motors

Inverter/Vector Motors & Controls

DC Motors and Controls

Soft Start & Dynamic Brakes

**Grain Dryer/Vane  
Axial Fan,  
Single and  
Three Phase,  
TEAO and OPAO**

**1.5 thru 15 Hp**

**NEMA 145TZ thru 215Z**

**Applications:** Vane axial fan crop dryers.

**Features:** Shaft 3/4" longer than NEMA standard, shaft keyed, drilled and tapped with internal 1/4-20 tap 1" deep. Thermostats. Epoxy paint.



Hp	RPM	NEMA Frame	Catalog Number	List Price	Mult. Sym.	"C" Dim.	Aprx. Wt. (lb)	Full Load Efficiency	Voltage	Full Load Amps	Notes (a)
<b>Single Phase, Totally Enclosed Air Over</b>											
1.5-3	3600	145TZ	<b>UCLE153</b>	907	L1	14.25	52	85.5	230	12.5	1,30
3-4.5	3600	145TZ	<b>UCLE3145</b>	929	L1	15.62	60	82.5	230	12.5	2,20
5-7.5	3600	182TZ	<b>UCLE570</b>	1,132	L1	16.88	94	84	230	20.5	2,8
7.5-10	3600	182TZ	<b>UCLE7510</b>	1,223	L1	16.88	92	85.5	230	38	2,20,30
<b>Single Phase, Open Air Over</b>											
1.5-3	3600	145TZ	<b>UCL153</b>	825	L1	14.25	51	77	230	13.6	2,20
3-4.5	3600	145TZ	<b>UCL3145</b>	877	L1	15.62	60	77.8	230	14.3	2,20
		182Z	<b>UCL345</b>	914	L1	14.88	70	74	230	22	2,20
5-7.5	3600	182TZ	<b>UCL570</b>	1,080	L1	16.88	93	80	230	35	2,20
7.5-10	3600	182TZ	<b>UCL710</b>	1,158	L1	16.88	92	85	230	31	2,20
7.5-10.5	3600	215Z	<b>UCL7510</b>	1,467	L1	17.44	105	81	230	37	2,20
10-15	3600	215Z	<b>UCL1015</b>	1,862	L1	17.81	134	84	230	44	2,20
<b>Single Phase, Totally Enclosed Air Over</b>											
10-15	3600	215Z	<b>UCLE1015</b>	1,896	L1	18.56	160	89	230	46	2,20
<b>Three Phase, Totally Enclosed Air Over</b>											
1.5-3	3600	145TZ	<b>UCME153</b>	638	L1	13.37	42	80	208-230/460	4.1	2,20
3-4.5	3600	143TZ	<b>UCME3145</b>	674	L1	13.37	45	84.5	208-230/460	6	2,8
		182Z	<b>UCME345</b>	720	L1	14.88	65	85.5	208-230/460	6	2,20
5-7.5	3600	184TZ	<b>UCME570</b>	847	L1	15.38	66	84	230/460	9	2,20,30
7.5-9.2	3600	184TZ	<b>UCME759</b>	993	L1	16.88	85	89.5	208-230/460	8.5	2,20
7.5-10	3600	184TZ	<b>UCME7510</b>	993	L1	16.88	82	86.5	230/460	11.5	2,20,30
10-14	3600	215Z	<b>UCME1014</b>	1,268	L1	16.69	120	87.5	208-230/460	16.5	2,20
<b>Three Phase, Open Air Over</b>											
1.5-3	3600	145TZ	<b>UCM153</b>	558	L1	13.37	39	80	208-230/460	4.1	2,20
3-4.5	3600	143TZ	<b>UCM3145</b>	625	L1	13.37	42	81.5	208-230/460	6	2,20
		182Z	<b>UCM345</b>	650	L1	14.25	54	84	208-230/460	5.8	2,20
5-7.5	3600	184TZ	<b>UCM575</b>	798	L1	15.38	64	84	230/460	9.5	2,20
10-15	3600	184TZ	<b>UCM713</b>	955	L1	16.88	86	84	208-230/460	12	2
		215Z	<b>UCM1014</b>	1,228	L1	16.69	101	85.5	208-230/460	18	2,20

(a) See notes on inside back flap and pages 5-6.

Farm Duty Motors

Definite Purpose Motors

Unit Handling Motors

Brake Motors

200 & 575 Volt Motors

IEC Frame Motors

50 Hertz Motors

Inverter/Vector Motors & Controls

DC Motors and Controls

Soft Starters & Dynamic Brakes



**Universal Crop Dryer, 3 thru 15 Hp**  
**Single Phase, PSC (switchless), TEAO and OPAO**

**NEMA 184Z thru 215Z**

**Applications:** Specifically engineered for use on vane axial fan crop dryers.

**Features:** TEAO design prevents entrance of rodents, insects and other foreign matter. High full load efficiency for reduced operating cost. No mechanical switch to wear. No noise and vibration from regeneration. Less sensitive to voltage variations. Soft start. Thermostats. Epoxy paint. 1.00 Service Factor.



Hp	RPM	NEMA Frame	Catalog Number	List Price	Mult. Sym.	"C" Dim.	Aprx. Wt. (lb)	Full Load Efficiency	Voltage	Full Load Amps	Notes (a)
<b>Totally Enclosed Air Over</b>											
3-4.5	3600	184Z	UCCE345	925	L1	14.88	72	82	230	13	2,20
5-7.5	3600	184TZ	UCCE570	1,066	L1	16.88	83	84	230	19	2,20
7.5-9.2	3600	184TZ	UCCE759	1,174	L1	16.88	90	85.5	230	29	2,20
7.5-10.5	3600	215Z	UCCE7510	1,477	L1	17.44	106	84	230	30	2,20
13	3600	215Z	UCCE130	1,866	L1	18.57	140	85	230	50	2,20
<b>Open Air Over</b>											
5-7.5	3600	184TZ	UC5700	968	L1	15.38	71	79	230	19.5	2,20
7.5-10	3600	184TZ	UC7100	1,064	L1	16.88	80	85.5	230	28	2,20
10-15	3600	215Z	UC10150	2,011	L1	18.57	128	83	230	41	2,20

(a) See notes on inside back flap and pages 5-6.

**Irrigation Tower Drive, Three Phase, TENV**

**1 Hp**

**NEMA 56**

**Applications:** Irrigation tower drive motors.



**Features:** Sealed fit at endplates. Sheds water. Conduit box cast into front endplate. Epoxy paint. High overload capabilities. The "P" indicates less pulley endplate for integral mounting; can be field modified for older designs with internal thru bolts. Operable at 50/60 Hz.

Hp	RPM	NEMA Frame	Catalog Number	List Price	Mult. Sym.	"C" Dim.	Aprx. Wt. (lb)	Full Load Efficiency	Voltage	Full Load Amps	Notes (a)
<b>No Endplate, Footless</b>											
1	1800	56YZ	IM3540A-P	595	K	11.02	38	79	460	1.8	2,19,60
<b>C-Face, Footless</b>											
1	1800	56C	IM3540A	613	K	13.27	41	79	460	1.8	2,19,60

(a) See notes on inside back flap and pages 5-6.

Gearboxes not included in price.

Farm Duty Motors

Definite Purpose Motors

Unit Handling Motors

Brake Motors

200 & 575 Volt Motors

IEC Frame Motors

50 Hertz Motors

Inverter/Vector Motors & Controls

DC Motors and Controls

Soft Start & Dynamic Brakes

**Auger Drive,  
Single Phase,  
TEFC, Flange Mount,  
Capacitor Start**

**1/3 thru 1-1/2 Hp**

**NEMA 56N Flange**

**Applications:** Poultry feed auger drive systems.

**Features:** Mechanical protection of centrifugal switch to prevent damage to motor in case of overspeed. Manual reset thermal protection mounted in oversize conduit box. Farm Duty epoxy paint and thermal cover protect motor from harsh environments. Extended shaft (fan end) with wrench flats for manual jogging of auger. NEMA 56N flange connects to the drive/gear box assembly. Gear reducer is assembled to motor. High efficiency design. Moisture resistant 200°C copper windings. Stator and steel frame dipped and baked in 100% solid polyester non-hygroscopic varnish. Heavy duty Type 1 capacitor.



Hp	RPM	NEMA Frame	Catalog Number	List Price	Mult. Sym.	"C" Dim.	Aprx. Wt. (lb)	Full Load Efficiency	Voltage	Full Load Amps	Notes (a)
1/3	1800	48YZ	ANFL3501M	439	K	12.44	24	60	115/230	3	30
1/2	1800	48YZ	ANFL3504M	492	K	12.44	28	68	115/230	3.7	30
3/4	1800	48YZ	ANFL3507M	575	K	13.32	35	74	115/230	4.1	30
1	1800	56YZ	ANFL3510M	709	K	13.55	41	67	115/230	6.5	30
1 1/2	1800	56YZ	ANFL3514M	1,054	K	14.43	47	75.5	115/230	9	2,30

(a) See notes on inside back flap and pages 5-6.

**Grain Stirring,  
Single Phase, TEFC,  
Foot Mounted**

**1-1/2 Hp**

**NEMA 56Z**

**Applications:** Inside bin grain stirring systems.

**Features:** Corrosion resistant epoxy finish, slotted fan cover designed to prevent clogging. Manual thermal with cover.



Hp	RPM	NEMA Frame	Catalog Number	List Price	Mult. Sym.	"C" Dim.	Aprx. Wt. (lb)	Full Load Efficiency	Voltage	Full Load Amps	Notes (a)
1 1/2	1800	56Z	GSL3509M	653	K	12.29	42	79	230	7.5	2,20

(a) See notes on inside back flap and pages 5-6.

Farm Duty Motors

Definite Purpose Motors

Unit Handling Motors

Brake Motors

200 & 575 Volt Motors

IEC Frame Motors

50 Hertz Motors

Inverter/Vector Motors & Controls

DC Motors and Controls

Soft Starters & Dynamic Brakes

**Instant Reversing,  
Single Phase,  
TEFC, Foot Mounted**

**3/4 thru 2 Hp**

**NEMA 56 thru 184**

**Applications:** Farm applications such as barn cleaners, bulk feeders and industrial applications.

**Features:** Farm Duty epoxy paint protects motor from harsh environments. Manual thermal with cover mounted in conduit box for protection, ball bearings, condensation drains, heavy-gauge steel construction.



Hp	RPM	NEMA Frame	Catalog Number	List Price	Mult. Sym.	"C" Dim.	Aprx. Wt. (lb)	Full Load Efficiency	Voltage	Full Load Amps	Notes (a)
3/4	1800	56	IR3507M	541	K	13.25	37	65	230	5.2	2
1	1800	56	IR3510M	587	K	13.25	40	65	230	6.2	1
1 1/2	1800	184	IR3603M	1,171	L1	15.68	65	69	230	10	
2	1800	184	IR3605M	1,218	L1	15.68	75	71	230	11.5	

(a) See notes on inside back flap and pages 5-6.

**Aeration Fan,  
Single and  
Three Phase,  
TEAO, Foot Mounted**

**3/4 thru 3 Hp**

**NEMA 56 thru 145TZ**

**Applications:** Aeration fans for farm grain storage, exhaust fans, air handling systems, etc.

**Features:** Lubrication fittings on NEMA T frames for easy on-site maintenance, ball bearings, corrosion protected with epoxy finish. Normally-closed thermostats on three phase motors.



Hp	RPM	NEMA Frame	Catalog Number	List Price	Mult. Sym.	"C" Dim.	Aprx. Wt. (lb)	Full Load Efficiency	Voltage	Full Load Amps	Notes (a)
<b>Single Phase</b>											
3/4	3600	56Z	AFL3520A	335	K	11.59	25	71	115/230	5.5	2
1	3600	56	AFL3521A	395	K	12.68	38	66	115/230	6	2
1 1/2	3600	56	AFL3525A	512	K	12.68	42	70	115/230	8.3	2,30
		143TZ	AFL3522A	548	L1	12.74	43	70	115/230	8.3	2,30
2	3600	143TZ	AFL3523A	669	L1	13.61	50	74	115/230	11.5	2
3	3600	145TZ	AFL3524A	698	L1	13.61	51	78	230	15	2
<b>Three Phase</b>											
3/4	3600	56Z	AFM3528	340	K	10.97	21	74	230/460	1.3	30
1	3600	56Z	AFM3529	369	K	10.97	23	75.5	230/460	1.8	30
1 1/2	3600	143T	AFM3530	427	L1	11.74	31	75.5	208-230/460	2.3	
3	3600	145T	AFM3532	565	L1	12.74	49	82.5	208-230/460	3.8	2

(a) See notes on inside back flap and pages 5-6.

Farm Duty Motors

Definite Purpose Motors

Unit Handling Motors

Brake Motors

200 & 575 Volt Motors

IEC Frame Motors

50 Hertz Motors

Inverter/Vector Motors & Controls

DC Motors and Controls

Soft Start & Dynamic Brakes

**Dairy/Vacuum Pump, Single Phase, TEFC, Foot Mounted**     **5 thru 10 Hp**

**NEMA 213T thru 215T**

**Applications:** Vacuum pumps used in the dairy industry.



**Features:** Manual thermal overload protected, heavy-gauge steel frame. 1.15 Service Factor. 50°C ambient-continuous duty. Farm duty epoxy paint.

Hp	RPM	NEMA Frame	Catalog Number	List Price	Mult. Sym.	"C" Dim.	Aprx. Wt. (lb)	Full Load Efficiency	Voltage	Full Load Amps	Notes (a)
5	1800	213T	<b>DEL3708TM</b>	1,897	L1	19.01	132	81	230	21.2	1
7 1/2	1800	215T	<b>DEL3733TM</b>	2,489	L1	20.77	162	85	230	28	1
10	1800	215T	<b>DEL3737TM</b>	3,040	L1	20.77	162	86.5	230	39	8,89

(a) See notes on inside back flap and pages 5-6.

Farm Duty Motors

Definite Purpose Motors

Unit Handling Motors

Brake Motors

200 & 575 Volt Motors

IEC Frame Motors

50 Hertz Motors

Inverter/Vector Motors & Controls

DC Motors and Controls

Soft Starters & Dynamic Brakes

**Three Phase,  
Two Speed, TEFC,  
Foot Mounted**

**3/4 thru 25 Hp**

**NEMA 56 thru 324T**

**Applications:** Fans, blowers, machine tools, hoists, conveyors, pumps.

**Features:** Lifting eye bolt mounted at top center 215T frame and larger for easy handling, copper windings, dynamically balanced rotors.



Hp	RPM	NEMA Frame	Catalog Number	List Price	Mult. Sym.	"C" Dim.	Aprx. Wt. (lb)	Voltage	Full Load Amps	Notes (a)
<b>Constant Torque, One Winding, Low Voltage</b>										
1-0.5	1800/900	143T	<b>M1504T</b>	953	L1	13.31	36	208-230	2.9	71
1.5-0.75	1800/900	145T	<b>M1505T</b>	1,006	L1	14.19	46	230	4.1	8,71
2-1	1800/900	184T	<b>M1506T</b>	1,222	L1	16.54	65	208-230	5.2	71
3-1.5	1800/900	184T	<b>M1507T</b>	1,384	L1	18.04	82	230	8.3	1,71
5-2.5	1800/900	215T	<b>M1508T</b>	1,809	L1	19.01	135	208-230	10.4	71
7.5-3.8	1800/900	215T	<b>M1509T</b>	2,355	L1	20.51	130	230	18.9	1,71
10-5	1800/900	254T	<b>M1510T</b>	3,628	L1	23.16	276	230	25.6	1,71
<b>Constant Torque, One Winding, High Voltage</b>										
1-0.5	1800/900	143T	<b>M1704T</b>	953	L1	13.31	36	460	1.4	71
1.5-0.75	1800/900	145T	<b>M1705T</b>	1,006	L1	14.19	45	460	2.1	8,71
2-1	1800/900	184T	<b>M1706T</b>	1,222	L1	16.54	65	460	2.8	71
3-1.5	1800/900	184T	<b>M1707T</b>	1,384	L1	18.04	84	460	4.2	1,71
5-2.5	1800/900	213T	<b>M1708T</b>	1,809	L1	19.01	112	460	6.5	71
7.5-3.8	1800/900	215T	<b>M1709T</b>	2,355	L1	20.51	131	460	9.4	1,71
10-5	1800/900	254T	<b>M1710T</b>	3,628	L1	23.16	275	460	13	1,71
15-7.5	1800/900	256T	<b>M1711T</b>	4,201	L1	23.16	265	460	19.2	1,71
20-10	1800/900	284T	<b>M1712T</b>	5,338	L1	27.76	389	460	25	1,71
25-13	1800/900	286T	<b>M1713T</b>	6,480	L1	27.76	396	460	29	1,71
<b>Variable Torque, One Winding, Low Voltage</b>										
1-0.25	1800/900	143T	<b>M1554T</b>	671	L1	12.31	31	208-230	1	71
1.5-0.38	1800/900	145T	<b>M1555T</b>	698	L1	13.31	38	208-230	2.4	71
2-0.5	1800/900	145T	<b>M1556T</b>	811	L1	13.31	39	208-230	2.6	71
3-0.75	1800/900	184T	<b>M1557T</b>	872	L1	16.54	65	208-230	3	1,71
5-1.3	1800/900	184T	<b>M1558T</b>	1,110	L1	18.04	83	208-230	5.2	71
7.5-1.9	1800/900	215T	<b>M1559T</b>	1,578	L1	19.01	125	230	18.5	1,71
<b>Variable Torque, One Winding, High Voltage</b>										
1-0.25	1800/900	143T	<b>M1754T</b>	671	L1	12.31	32	460	1.6	1,71
1.5-0.38	1800/900	145T	<b>M1755T</b>	698	L1	13.31	38	460	2.4	71
2-0.5	1800/900	145T	<b>M1756T</b>	811	L1	14.19	45	460	2.9	71
3-0.75	1800/900	184T	<b>M1757T</b>	872	L1	16.54	63	460	4	1,71
5-1.3	1800/900	184T	<b>M1758T</b>	1,110	L1	18.04	81	460	6.7	1,71
7.5-1.9	1800/900	215T	<b>M1759T</b>	1,563	L1	19.01	125	460	9.3	1,71
10-2.5	1800/900	215T	<b>M1760T</b>	1,841	L1	20.52	160	460	12.5	8,71
15-3.75	1800/900	254T	<b>M1761T</b>	2,545	L1	23.16	248	460	19.6	1,71
20-5	1800/900	284T	<b>M1762T</b>	3,010	L1	27.76	339	460	26	1,71
25-6.3	1800/900	286T	<b>M1763T</b>	3,492	L1	27.76	363	460	32	1,71
<b>Variable Torque, Two Windings, Low Voltage</b>										
0.75-0.33	1800/1200	56	<b>M1519</b>	742	K	13.23	34	230	2.8	71
1-0.44	1800/1200	145T	<b>M1520T</b>	775	L1	13.31	38	230	3.7	71
1.5-0.67	1800/1200	182T	<b>M1521T</b>	958	L1	15.17	56	208-230	2.8	71
2-0.89	1800/1200	182T	<b>M1522T</b>	1,098	L1	16.54	64	230	5.8	71
3-1.3	1800/1200	184T	<b>M1523T</b>	1,285	L1	16.54	71	208-230	5.1	1,71
5-2.2	1800/1200	215T	<b>M1524T</b>	2,014	L1	19.01	114	230	12.8	1,71

(a) See notes on inside back flap and pages 5-6.

■ Cast Iron Frame

Farm Duty Motors

Definite Purpose Motors

Unit Handling

Brake Motors

200 & 575 Volt Motors

IEC Frame Motors

50 Hertz Motors

Inverter/Vector Motors & Controls

DC Motors and Controls

Soft Start & Dynamic Brakes

**Three Phase, Two Speed, TEFC, Foot Mounted**

Hp	RPM	NEMA Frame	Catalog Number	List Price	Mult. Sym.	"C" Dim.	Aprx. Wt. (lb)	Voltage	Full Load Amps	Notes (a)
<b>Variable Torque, Two Windings, High Voltage</b>										
0.5-0.22	1800/1200	56	<b>M1718</b>	691	K	12.23	30	460	0.9	71
0.75-0.33	1800/1200	56	<b>M1719</b>	765	K	13.23	34	460	1.4	71
1-0.44	1800/1200	145T	<b>M1720T</b>	775	L1	13.31	38	460	1.9	71
1.5-0.67	1800/1200	182T	<b>M1721T</b>	958	L1	15.17	55	460	2.2	71
2-0.89	1800/1200	182T	<b>M1722T</b>	1,098	L1	16.54	66	460	3	71
3-1.3	1800/1200	184T	<b>M1723T</b>	1,285	L1	16.54	73	460	4	1,71
5-2.2	1800/1200	215T	<b>M1724T</b>	2,014	L1	19.01	116	460	6.4	1,71
7.5-3.3	1800/1200	254T	<b>M1725T</b>	2,604	L1	23.16	219	460	10.3	1,71
10-4.4	1800/1200	254T	<b>M1726T</b>	2,997	L1	21.07	233	460	12.5	1,71
15-6.7	1800/1200	284T	<b>M1727T</b>	3,556	L1	27.76	356	460	19.3	1,71
20-8.9	1800/1200	286T	<b>M1728T</b>	4,823	L1	27.76	376	460	27	1,71
25-11	1800/1200	324T	<b>M1729T</b>	5,081	L1	30.28	513	460	30	1,71

(a) See notes on inside back flap and pages 5-6.

■ Cast Iron Frame

Farm Duty Motors

Definite Purpose Motors

Unit Handling

Brake Motors

200 & 575 Volt Motors

IEC Frame Motors

50 Hertz Motors

Inverter/Vector Motors & Controls

DC Motors and Controls

Soft Starters & Dynamic Brakes



**Three Phase,  
Two Speed, ODP,  
Foot Mounted**

**1/2 thru 25 Hp**

**NEMA 56 thru 286T**

**Applications:** Fans, blowers, and pumps.



**Features:** Lifting eye bolt mounted at top center 215T frame and larger for easy handling, copper windings, dynamically balanced rotors.

Hp	RPM	NEMA Frame	Catalog Number	List Price	Mult. Sym.	"C" Dim.	Aprx. Wt. (lb)	Voltage	Full Load Amps	Notes (a)
<b>Variable Torque, One Winding, Low Voltage</b>										
1-0.25	1800/900	143T	<b>M1004T</b>	640	L1	11.12	33	208-230	1	
1.5-0.38	1800/900	145T	<b>M1005T</b>	664	L1	12.13	35	208-230	1.8	
2-0.5	1800/900	145T	<b>M1006T</b>	768	L1	12.13	40	230	6.1	
3-0.75	1800/900	184T	<b>M1007T</b>	825	L1	13.62	56	208-230	3	
5-1.3	1800/900	184T	<b>M1008T</b>	993	L1	15.00	69	230	13.2	1
7.5-1.9	1800/900	215T	<b>M1009T</b>	1,418	L1	16.32	111	230	20	
10-2.5	1800/900	215T	<b>M1010T</b>	1,608	L1	17.45	131	230	25	1
<b>Variable Torque, One Winding, High Voltage</b>										
1-0.25	1800/900	143T	<b>M1204T</b>	640	L1	11.12	30	460	1.5	
1.5-0.38	1800/900	145T	<b>M1205T</b>	664	L1	12.13	35	460	2.2	
2-0.5	1800/900	145T	<b>M1206T</b>	768	L1	12.13	38	460	3.1	
3-0.75	1800/900	184T	<b>M1207T</b>	825	L1	13.62	57	460	4	
5-1.3	1800/900	184T	<b>M1208T</b>	993	L1	15.00	72	460	6.6	1
7.5-1.9	1800/900	215T	<b>M1209T</b>	1,418	L1	16.32	112	460	10	
10-2.5	1800/900	215T	<b>M1210T</b>	1,608	L1	17.45	130	460	13	1
15-3.8	1800/900	254T	<b>M1211T</b>	2,259	L1	21.69	234	460	20	1
20-5	1800/900	256T	<b>M1212T</b>	2,769	L1	21.69	232	460	26	1
25-6.3	1800/900	284T	<b>M1213T</b>	3,249	L1	23.81	312	460	32	
<b>Variable Torque, Two Windings, Low Voltage</b>										
0.75-0.33	1800/1200	56	<b>M1019</b>	686	K	12.07	34	230	2.8	
1-0.44	1800/1200	145T	<b>M1020T</b>	740	L1	12.13	39	230	3.7	
1.5-0.67	1800/1200	182T	<b>M1021T</b>	897	L1	13.62	56	208-230	2.8	
2-0.89	1800/1200	182T	<b>M1022T</b>	1,023	L1	15.00	62	230	5.8	
3-1.3	1800/1200	184T	<b>M1023T</b>	1,191	L1	15.00	69	230	8	
5-2.2	1800/1200	215T	<b>M1024T</b>	1,834	L1	16.32	113	230	12.8	1
7.5-3.3	1800/1200	256T	<b>M1025T</b>	2,438	L1	22.25	211	230	19.4	
<b>Variable Torque, Two Windings, High Voltage</b>										
0.5-0.22	1800/1200	56	<b>M1218</b>	654	K	11.07	30	460	0.9	
0.75-0.33	1800/1200	56	<b>M1219</b>	686	K	12.07	34	460	1.4	
1-0.44	1800/1200	145T	<b>M1220T</b>	740	L1	12.13	39	460	1.9	
1.5-0.67	1800/1200	182T	<b>M1221T</b>	897	L1	13.62	56	460	2.2	
2-0.89	1800/1200	182T	<b>M1222T</b>	1,023	L1	15.00	64	460	3	
3-1.3	1800/1200	184T	<b>M1223T</b>	1,191	L1	15.00	69	460	4	
5-2.2	1800/1200	215T	<b>M1224T</b>	1,834	L1	16.32	113	460	6.4	1
7.5-3.3	1800/1200	256T	<b>M1225T</b>	2,438	L1	22.25	209	460	9.9	
10-4.4	1800/1200	254T	<b>M1226T</b>	2,755	L1	22.25	237	460	12.7	1
15-6.7	1800/1200	284T	<b>M1227T</b>	3,342	L1	23.81	318	460	19	
20-8.9	1800/1200	286T	<b>M1228T</b>	4,483	L1	25.06	348	460	26	
25-11	1800/1200	286T	<b>M1229T</b>	4,813	L1	25.06	349	460	32	

(a) See notes on inside back flap and pages 5-6.

Farm Duty Motors

Definite Purpose Motors

Unit Handling

Brake Motors

200 & 575 Volt Motors

IEC Frame Motors

50 Hertz Motors

Inverter/Vector Motors & Controls

DC Motors and Controls

Soft Start & Dynamic Brakes

**Pressure Washer,  
Single Phase,  
TEFC and ODP**

**1-1/2 thru 5 Hp**

**NEMA 56 thru 184TC**

**Applications:** Pressure washers, steam cleaners, portable and self contained stationary system for direct drive mount and doubled mount designs.

**Features:** Ball bearing design. 1 1/2 horsepower ratings are rated at 14 amps or less on 115 volts. Manual thermal overload located in the conduit box. UL and CSA recognized component approval. 200°C copper windings. Capacitor start, capacitor run (two value capacitor).



Hp	RPM	NEMA Frame	Catalog Number	List Price	Mult. Sym.	"C" Dim.	Aprx. Wt. (lb)	Full Load Efficiency	Voltage	Full Load Amps	Notes (a)
<b>Foot Mounted, TEFC</b>											
1 1/2	3600	56	PL3513M	534	K	13.25	38	75.5	115/230	6.6	
	1800	56	PL3514M	708	K	14.12	50	82.5	115/230	6	
2	3600	56	PL3515M	645	K	13.25	42	77	115/230	8.8	1
	1800	56HZ	L3516TM	877	K	14.18	48	78	230	8.3	1,57,65
3	3600	56	PL3519M	707	K	14.12	50	85.5	230	12.5	1,30
	1800	184T	L3609TM	969	L1	16.54	76	78	115/230	14.5	2,20,65
5	3600	184T	L3608TM	1,116	L1	18.05	86	83	230	19.5	2,20,65
	1800	184T	L3612TM	1,127	L1	18.05	99	80	230	23	2,20,65
<b>C-Face, Foot Mounted, ODP</b>											
3	1800	184TC	CL1408TM	852	L1	15.00	78	78	115/230	16	65
5	1800	184TC	CL1410TM	1,026	L1	16.50	88	82.5	230	23	1,30,65
<b>C-Face, Foot Mounted, TEFC</b>											
1 1/2	3600	56C	PCL3513M	571	K	13.25	38	75.5	115/230	6.6	
	1800	56C	PCL3514M	745	K	14.12	50	82.5	115/230	6	
2	3600	56C	PCL3515M	677	K	13.24	43	77	115/230	8.8	1
	1800	145TC	CL3516TM	885	L1	14.19	49	78	230	8.3	1,65
3	3600	56C	PCL3519M	742	K	14.12	52	85.5	230	12.5	1,30
	1800	184TC	CL3619TM	1,152	L1	16.54	81	81.5	230	13.2	2,20
5	3600	184TC	CL3608TM	1,247	L1	18.05	91	83	230	19.5	2,20
	1800	184TC	CL3612TM	1,207	L1	18.05	101	80	230	23	2,20
<b>Foot Mounted, ODP</b>											
1 1/2	3600	56H	PL1313M	464	K	11.75	34	75.5	115/230	6.6	36
	1800	56	PL1319M	616	K	12.06	39	74	115/230	7	
2	3600	56	PL1317M	605	K	12.06	41	77	115/230	8.8	
	1800	56	PL1322M	645	K	12.94	43	78.5	115/230	9.2	
3	3600	56	PL1326M	668	K	12.94	50	85.5	230	12.5	30
	1800	184T	L1408TM	806	L1	15.00	78	78	115/230	16	65
5	3600	56/56H	PL1327M	688	K	13.81	56	74.2	230	23	2,20,30,36
	1800	184T	L1410TM	981	L1	16.50	84	82.5	230	23	1,30,65
<b>C-Face, Foot Mounted, ODP</b>											
1 1/2	3600	56C	PCL1313M	503	K	12.06	38	75.5	115/230	6.6	
	1800	56C	PCL1319M	645	K	12.06	40	74	115/230	7	
2	3600	56C	PCL1317M	645	K	12.06	43	77	115/230	8.8	
	1800	56C	PCL1322M	669	K	12.94	48	78.5	115/230	9.2	
3	3600	56C	PCL1326M	707	K	12.94	49	85.5	230	12.5	30
5	3600	56HCY	PCL1327M	725	K	14.11	57	74.2	230	23	2,20,30,37,47

(a) See notes on inside back flap and pages 5-6.

**BALDOR • RELIANCE**

**Metering Pump,  
Three Phase, TEFC,  
Foot Mounted**

**1/3 Hp**

**NEMA 48**

**Applications:** Metering pump systems primarily used to inject chemicals into irrigation distribution systems.

**Features:** TEFC industrial quality. Designed with conduit box at 12 o'clock position to facilitate mounting on existing chemical injection pumps. Epoxy paint. Designed for use at 230/460 volts 60hz or 190/380 volts 50hz.



Hp	RPM	NEMA Frame	Catalog Number	List Price	Mult. Sym.	"C" Dim.	Aprx. Wt. (lb)	Full Load Efficiency	Voltage	Full Load Amps	Notes (a)
<b>60/50 Hz.</b>											
1/3	1800	48	MPM3458	328	K	10.72	20	—	230/460	0.8	2

(a) See notes on inside back flap and pages 5-6.

**Arbor Saw,  
Three Phase, TEFC,  
Foot Mounted**

**7-1/2 thru 15 Hp**

**Applications:** Heavy duty circular saw applications. Machine tools.

**Features:** Low profile for maximum blade cutting depth. Supplied with keyway and unthreaded shaft suitable for right or left threading. (See "Mod Express" section for custom threading.) Double row ball bearings for maximum shaft stability in precision woodworking applications.



Hp	RPM	Catalog Number	List Price	Mult. Sym.	"C" Dim.	Aprx. Wt. (lb)	Full Load Efficiency	Voltage	Full Load Amps	Notes (a)
7 1/2	3600	ASM6207	2,625	L1	16.73	102	—	230/460	9.2	1
10	3600	ASM6210	2,805	L1	16.73	101	—	208-230/460	11.5	2
		ASM7510	3,270	L1	13.45	134	—	230/460	12	
15	3600	ASM6215	3,270	L1	18.48	117	—	208-230/460	17	2
		ASM7515	3,527	L1	14.45	151	—	208-230/460	16.5	

(a) See notes on inside back flap and pages 5-6.

Farm Duty Motors

Definite Purpose Motors

Unit Handling

Brake Motors

200 & 575 Volt Motors

IEC Frame Motors

50 Hertz Motors

Inverter/Vector Motors & Controls

DC Motors and Controls

Soft Start & Dynamic Brakes

Woodworking,  
Single Phase, TEFC

1 thru 3 Hp

NEMA 48Z thru 184YZ

Applications: Woodworking equipment such as table saws, planers, etc.



Features: Motor swivels on rod for belt tensioning. Shaft supplied with full key and keyway. Extra high breakdown torques for maximum cutting power.

Hp	RPM	NEMA Frame	Catalog Number	List Price	Mult. Sym.	"C" Dim.	Aprx. Wt. (lb)	Full Load Efficiency	Voltage	Full Load Amps	Notes (a)
1	3600	48Z	WWL3509 (b)	417	K	13.35	33	65	115/230	6.3	2
2	3600	145TYZ	WWL3515T	681	L1	13.56	53	70	115/230	12	2,20,65
3	3600	184YZ	WWL3606	870	L1	14.89	71	72	230	15.5	2

(a) See notes on inside back flap and pages 5-6.

(b) NEMA 48 base mount, not swivel mount.

Pre-1952 NEMA,  
Single and  
Three Phase,  
Foot Mounted

1/2 thru 5 Hp

NEMA 66 thru 254

Applications: Applications requiring pre-1952 NEMA frame dimensions.



Features: Heavy-gauge seam-welded base, ball bearings, copper windings.

Hp	RPM	NEMA Frame	Catalog Number	List Price	Mult. Sym.	"C" Dim.	Aprx. Wt. (lb)	Full Load Efficiency	Voltage	Full Load Amps	Notes (a)
<b>Single Phase, TEFC</b>											
1/2	1800	66	L3576M	585	K	13.62	36	64	115/230	4	
3/4	1800	66	L3565M	696	K	13.62	38	66	115/230	5.3	
1	1800	66	L3566M	756	K	13.62	40	67	115/230	6.5	30
1 1/2	1800	66	L3567M	917	K	14.50	50	75.5	115/230	8	2,65
<b>Three Phase, TEFC</b>											
1/2	1800	66	M3564	564	K	13.62	30	74	230/460	1.2	30
3/4	1800	66	M3565	593	K	13.62	28	72	230/460	1.5	30
1	1800	66	M3566	622	K	13.62	33	77	208-230/460	1.7	
1 1/2	1800	66	M3567	653	K	13.62	34	78.5	208-230/460	2.5	
<b>Single Phase, ODP</b>											
1	1800	203	L1413	1,068	L1	14.37	51	70	115/230	7	30
1 1/2	1800	204	L1414	1,248	L1	14.37	56	68	115/230	9.5	30
<b>Three Phase, ODP</b>											
1	1800	203	M3233	924	L1	14.38	47	77	208-230/460	1.6	
1 1/2	1800	204	M3234	980	L1	14.38	49	81.5	208-230/460	2.4	
2	1800	224	M3324	1,319	L1	16.32	77	79	208-230/460	3.3	
3	1800	225	M3325	1,359	L1	16.32	81	80	208-230/460	4.5	
5	1800	254	M3326	1,657	L1	18.32	94	84	208-230/460	6.8	

(a) See notes on inside back flap and pages 5-6.

Farm Duty  
Motors

Definite Purpose  
Motors

Unit Handling

Brake Motors

200 & 575 Volt  
Motors

IEC Frame  
Motors

50 Hertz  
Motors

Inverter/Vector  
Motors & Controls

DC Motors  
and Controls

Soft Starters &  
Dynamic Brakes

**SAE Hydraulic Pump Motors, Three Phase, Continuous Duty**

**1 thru 10 Hp**

**NEMA 56YZ thru 215TYZ**

**Applications:** Hydraulic pumps for lifts, trash compactors and other machinery.

**Features:** TEFC motors designed for continuous duty (may be used on intermittent duty applications). Base mount with SAE A or B pump mount face and shaft. F3 top-mounted conduit box.



Hp	RPM	NEMA Frame	Catalog Number	List Price	Mult. Sym.	“C” Dim.	Aprx. Wt. (lb)	Full Load Efficiency	Voltage	Full Load Amps	Notes (a)
1	3600	56YZ	HPM3545	524	K	10.45	33	75.5	208-230/460	1.6	
1 1/2	3600	143TYZ	HPM3550T	562	L1	11.45	20	82.5	208-230/460	2.1	
5	1800	184TYZ	HPM3615T	708	L1	13.50	79	87.5	208-230/460	7.1	
7 1/2	1800	213TYZ	HPM3710T	911	L1	14.66	119	89.5	208-230/460	10.1	
10	1800	215TYZ	HPM3714T	1,075	L1	15.79	145	89.5	208-230/460	13.5	

(a) See notes on inside back flap and pages 5-6.

Farm Duty Motors

Definite Purpose Motors

Unit Handling

Brake Motors

200 & 575 Volt Motors

IEC Frame Motors

50 Hertz Motors

Inverter/Vector Motors & Controls

DC Motors and Controls

Soft Start & Dynamic Brakes

**F-2 Mount,  
Three Phase,  
TEFC and ODP,  
Foot Mounted**

**1 thru 60 Hp**

**NEMA 145T thru 364T**

**Applications:** Pumps, compressors, fans, conveyors, machine tools and other applications requiring three phase F-2 mounted motors.

**Features:** Copper windings, ball bearings, heavy-gauge steel frame with base seam-welded. EFM Super-E<sup>®</sup> motors have NEMA Premium<sup>®</sup> efficiency and 3 year warranty.



Hp	RPM	NEMA Frame	Catalog Number	List Price	Mult. Sym.	"C" Dim.	Aprx. Wt. (lb)	Full Load Efficiency	Voltage	Full Load Amps	Notes (a)
<b>Totally Enclosed Fan Cooled</b>											
2	1800	145T	FM3558T	433	L1	13.31	42	84	208-230/460	2.9	
3	1800	182T	FM3611T	512	L1	16.55	67	87.5	208-230/460	4.1	1
5	1800	184T	FM3615T	589	L1	16.56	74	87.5	208-230/460	7.1	1
7 1/2	1800	213T	FM3710T	752	L1	17.89	110	89.5	208-230/460	10.1	1
10	1800	215T	FM3714T	914	L1	19.01	126	89.5	208-230/460	13.5	1
15	1800	254T	EFM2333T	1,942	L1	23.16	255	92.4	230/460	18.5	1,30
20	1800	256T	EFM2334T	2,352	L1	23.16	286	93	230/460	24	1,30
25	1800	284T	EFM4103T	3,076	L1	27.76	392	93.6	230/460	30	1,30
30	1800	286T	EFM4104T	3,653	L1	27.76	444	94.1	230/460	36	1,30
<b>Open Drip Proof</b>											
1	1800	145T	EFM3116T	522	L1	11.12	36	85.5	208-230/460	1.4	1
1 1/2	1800	145T	EFM3154T	546	L1	12.12	37	88.5	208-230-460	2.1	1
2	1800	145T	EFM3157T	585	L1	13.00	43	86.5	208-230/460	2.7	1
3	1800	182T	EFM3211T	631	L1	15.00	66	90.2	230/460	4	1
		182T	FM3211T	453	L1	14.00	63	86.5	208-230/460	4.2	1
5	1800	184T	EFM3218T	691	L1	16.50	84	90.2	230/460	6.6	1,30
		184T	FM3218T	501	L1	15.00	65	87.5	208-230/460	6.9	
7 1/2	1800	213T	EFM3311T	1,016	L1	16.32	111	91.7	230/460	9.6	1,30
		213T	FM3311T	710	L1	17.00	98	88.5	208-230/460	10	
10	1800	215T	EFM3313T	1,230	L1	17.45	123	91.7	230/460	12.5	1,30
		215T	FM3313T	871	L1	16.32	107	89.5	208-230/460	13.4	
15	1800	254T	EFM2513T	1,742	L1	21.69	234	93	230/460	17.7	1,30
		254T	FM2513T	1,316	L1	19.75	170	91	208-230/460	19	1
20	1800	256T	EFM2515T	2,187	L1	21.69	237	93	230/460	23.5	1,30
		256T	FM2515T	1,694	L1	22.25	220	91.7	230/460	24	30
25	1800	284T	EFM2531T	2,666	L1	23.81	332	94.1	230/460	30	1,30
		284T	FM2531T	2,053	L1	23.44	226	91.7	230/460	31	30
30	1800	286T	EFM2535T	2,915	L1	25.06	372	94.1	230/460	35	1,30
		286T	FM2535T	2,401	L1	24.94	248	92.4	230/460	36	30
40	1800	324T	EFM2539T	3,803	L1	26.69	477	94.5	230/460	46	1,30
		324T	FM2539T	3,061	L1	26.19	378	93	230/460	49	30
50	1800	326T	EFM2543T	4,197	L1	27.69	472	94.5	230/460	57	1,30
		326T	FM2543T	3,593	L1	27.19	371	93	230/460	62	30
60	1800	364T	EFM2547T	5,284	L1	30.69	782	95	230/460	68	1,30

(a) See notes on inside back flap and pages 5-6.

■ Cast Iron Frame

Farm Duty Motors

Definite Purpose Motors

Unit Handling

Brake Motors

200 & 575 Volt Motors

IEC Frame Motors

50 Hertz Motors

Inverter/Vector Motors & Controls

DC Motors and Controls

Soft Starters & Dynamic Brakes



**Automotive Approved, 1 thru 100 Hp  
Three Phase, TEFC,  
Foot Mounted**

**NEMA 182 thru 445U**

**Applications:** Pumps, compressors, fans, conveyors, machine tools and other applications where automotive approved motors are required.

**Features:** Approved by major US automobile manufacturers. Meets efficiency times power factor requirements per GM7EQ. All cast iron construction, regreasable double shield ball bearings, shaft slinger on both ends of motor, stainless steel nameplate, epoxy paint. Suitable for 65°C ambient 1.00 service factor or 1.15 service factor, 40°C ambient. Meets automotive requirements for sound power levels.



Hp	RPM	NEMA Frame	Catalog Number	List Price	Mult. Sym.	"C" Dim.	Aprx. Wt. (lb)	Full Load Efficiency	Voltage	Full Load Amps	Notes (a)
1	1800	182	AEM3683-4	989	L1	13.18	78	84	460	1.5	2,20,60
		182	➔P18G3110	989	L1	15.12	105	85.7	460	1.4	
	1200	184	AEM3684-4	1,248	L1	14.74	88	80.5	460	1.7	2,20
1 1/2	1800	184	AEM3686-4	1,062	L1	14.74	86	85	460	2.2	2,20
	1200	184	AEM3687-4	1,380	L1	14.74	94	84	460	2.5	2,20
2	1800	184	AEM3689-4	1,131	L1	14.74	90	86	460	2.9	2,20
	1200	213	AEM3782-4	1,540	L1	18.07	152	83.5	460	3.2	2,20
3	1800	213	AEM3783-4	1,306	L1	18.07	155	87.5	460	3.9	2,20
		213	➔P21G3109	1,306	L1	18.88	142	87.5	460	4	
	1200	215	AEM3784-4	1,876	L1	18.07	171	86.5	460	4.4	2,20
5	1800	215	AEM3787-4	1,709	L1	18.07	166	87.5	460	6.4	2,20
		215	➔P21G3111	1,709	L1	18.88	142	89.6	460	6.1	
	1200	254U	AEM2275-4	2,603	L1	20.81	235	88.5	460	7.1	2,20
7 1/2	1800	254U	AEM2237-4	2,294	L1	22.91	224	89.5	460	9.2	2,20
		254U	➔P25G3106	2,294	L1	24.31	293	91.7	460	9.2	
	1200	256U	AEM2276-4	3,316	L1	22.91	254	90.2	460	10.6	2,20
10	1800	256U	AEM2238-4	2,774	L1	22.91	243	90.2	460	12	2,20
		256U	➔P25G3107	2,774	L1	24.31	292	91	460	12.3	
	1200	284U	AEM2332-4	4,069	L1	27.81	391	91.7	460	13.2	2,20
15	1800	284U	➔P28G3103	4,069	L1	27.69	424	91.3	460	12.6	
		284U	AEM2333-4	3,854	L1	26.22	358	92.4	460	18	2,20
	1200	284U	➔P28G3104	3,854	L1	27.69	426	92.9	460	17.9	
20	1800	324U	AEM4100-4	5,453	L1	30.66	502	89.5	460	19	2,20
		286U	AEM2334-4	4,648	L1	27.81	416	90.2	460	24.5	2,20
	1200	326U	AEM4102-4	6,842	L1	30.66	516	89	460	25	2,20
25	1800	324U	AEM4103-4	5,925	L1	30.66	554	92.4	460	29.5	2,20
		324U	➔P32G3106	5,925	L1	30.81	582	93.6	460	29	
	1200	364U	AEM4111-4	7,341	L1	33.35	734	91.7	460	30	2,20
30	1800	364U	➔P36G3104	7,341	L1	33.94	793	93.4	460	29.2	
		326U	AEM4104-4	6,694	L1	30.66	567	93.6	460	35	2,20
	1200	326U	➔P32G3107	6,694	L1	30.81	647	93.7	460	34.5	
40	1800	365U	AEM4117-4	8,515	L1	33.35	765	91.7	460	36	2,20
		364U	AEM4307-4	7,954	L1	33.35	709	93.6	460	46	2,20
	1200	364U	➔P36G3106	7,954	L1	33.94	835	94.6	460	45	
50	1800	404U	AEM4308-4	10,831	L1	36.76	983	92.5	460	46	2,20
		365U	AEM4311-4	9,579	L1	33.35	799	93.6	460	58	2,20
	1200	365U	➔P36G3107	9,579	L1	33.94	856	93.8	460	56.4	
60	1800	404U	AEM4312-4	12,925	L1	37.91	987	93	460	57	2,20
		405U	AEM4314-4	11,705	L1	36.76	1,004	92.5	460	68	2,20
	1200	405U	➔P40G383	11,705	L1	38.19	1,375	95.3	460	67.6	
75	1800	444U	AEM4403-4	15,123	L1	44.37	1,494	93	460	71	2,20
		444U	AEM4316-4	14,628	L1	44.37	1,327	94.5	460	85	2,8
	1200	445U	AEM4404-4	20,481	L1	44.37	1,576	94.1	460	88	2,20
100	1800	445U	AEM4400-4	16,159	L1	44.37	1,573	94.1	460	116	2,20

(a) See notes on inside back flap and pages 5-6.

➔ = Functional Equivalent

■ Cast Iron Frame

Meets GM for minimum efficiency times power factor requirements per GM7EHQ.

Farm Duty Motors

Definite Purpose Motors

Unit Handling

Brake Motors

200 & 575 Volt Motors

IEC Frame Motors

50 Hertz Motors

Inverter/Vector Motors & Controls

DC Motors and Controls

Soft Start & Dynamic Brakes

**Oil Field Pump,  
Three Phase,  
TEFC and ODP,  
Design D,  
Foot Mounted**

**3 thru 150 Hp**

**NEMA 213T thru 447T**

**Applications:** Beam pumping units, punch presses and applications requiring high torque and high slip.

**Features:** Two-part epoxy paint, moisture-resistant insulation, rodent screens, shaft slinger, F-2 position conduit box. TEFC motors have severe duty features.



Hp	RPM	NEMA Frame	Catalog Number	List Price	Mult. Sym.	"C" Dim.	Aprx. Wt. (lb)	Full Load Efficiency	Voltage	Full Load Amps	Notes (a)
<b>Totally Enclosed Fan Cooled, 230/460/796 VAC</b>											
3	1200	213T	OF3764T	1,948	L1	19.32	225	79	230/460/796	3	1
5	1200	215T	OF3768T	2,159	L1	19.32	196	80	230/460/796	4.4	1
7 1/2	1200	254T	OF2276T	2,633	L1	23.25	249	84	230/460/796	7.4	1
10	1200	256T	OF2332T	2,932	L1	23.25	280	84	230/460/796	9	1
15	1200	284T	OF4100T	4,677	L1	27.56	390	87.5	230/460/796	11.6	1
20	1200	286T	OF4102T	5,651	L1	27.56	454	87.5	230/460/796	15	1
25	1200	324T	OF4111T	6,819	L1	30.27	561	87.5	230/460/796	19	1
<b>Totally Enclosed Fan Cooled, 460/796 VAC</b>											
30	1200	326T	OF4117T	8,268	L1	30.27	630	87.5	460/796	23	1
40	1200	365T	OF4308T	9,162	L1	32.84	845	88.5	460/796	30	1
50	1200	404T	OF4312T	11,867	L1	38.03	1,090	87.5	460/796	34.6	1
60	1200	405T	OF4403T	14,678	L1	38.03	1,171	88.5	460/796	42	1
75	1200	444T	OF4404T	15,919	L1	44.24	1,648	88.5	460/796	51	1
100	1200	445T	OF4409T	20,693	L1	47.74	2,100	90.2	460/796	67	1
125	1200	447T	OF4411T	26,563	L1	52.68	2,516	91	460/796	86	1
150	1200	447T	OF44156T	31,377	L1	52.68	2,889	91	460/796	102	1
<b>Open Drip Proof, 230/460/796 VAC</b>											
3	1200	213T	OF3303T	1,190	L1	18.13	117	78.5	230/460/796	3	2
5	1200	215T	OF3305T	1,580	L1	19.25	152	78.5	230/460/796	4.4	2
7 1/2	1200	254T	OF3307T	1,969	L1	24.18	209	81.5	230/460/796	7.2	2
		254T	OF3407T	2,159	L1	20.63	229	84	230/460/796	7.2	1
10	1200	256T	OF3310T	2,387	L1	24.18	234	82.5	230/460/796	9.2	2
		256T	OF3410T	2,523	L1	22.38	272	84	230/460/796	9	1
15	1200	284T	OF3315T	3,348	L1	26.31	288	85.5	230/460/796	13	1
		284T	OF3415T	3,537	L1	23.44	334	85.5	230/460/796	13.3	1
20	1200	286T	OF3320T	4,011	L1	26.31	318	84	230/460/796	17.2	1
		286T	OF3420T	4,196	L1	24.94	376	86.5	230/460/796	16.8	1
25	1200	324T	OF3325T	5,153	L1	29.18	436	85.5	230/460/796	20	1
		324T	OF3425T	5,483	L1	26.13	487	85.5	230/460/796	20	1
<b>Open Drip Proof, 460/796 VAC</b>											
30	1200	326T	OF3330T	6,270	L1	29.18	437	86.5	460/796	24	1
		326T	OF3430T	6,631	L1	27.63	517	86.5	460/796	25.4	1
40	1200	365T	OF3340T	7,988	L1	29.94	553	88.5	460/796	32	1
		365T	OF3440T	7,466	L1	29.69	749	87.5	460/796	31	1
50	1200	404T	OF3350T	9,339	L1	34.00	981	87.5	460/796	37	1
60	1200	404T	OF3360T	10,493	L1	34.00	1,057	87.5	460/796	43	1
75	1200	404T	OF3375T	12,385	L1	34.00	1,153	88.5	460/796	53	1
100	1200	445T	OF33100T	13,158	L1	39.62	1,372	87.5	460/796	71	1

(a) See notes on inside back flap and pages 5-6.

Custom TEFC motors available through 2,250 Hp; Open and WPIL custom motors through 15,000 Hp. Contact your local Baldor•Reliance Sales Representative.

■ Cast Iron Frame

Farm Duty Motors

Definite Purpose Motors

Unit Handling Motors

Brake Motors

200 & 575 Volt Motors

IEC Frame Motors

50 Hertz Motors

Inverter/Vector Motors & Controls

DC Motors and Controls

Soft Starters & Dynamic Brakes

**Single and Three Phase, TENV, Foot or C-Face Mounting, Removable Base**

**1/12 thru 1/4 Hp**

**NEMA 42C**

**Applications:** General purpose fractional horsepower applications including pumps, compressors, machine tools, and air handling.

**Features:** C-face with removable base, rugged cast aluminum housing having a dry powder epoxy coating, and ball bearings with the drive end bearing locked.



Hp	RPM	NEMA Frame	Catalog Number	List Price	Mult. Sym.	"C" Dim.	Aprx. Wt. (lb)	Full Load Efficiency	Voltage	Full Load Amps	Notes (a)
<b>Single Phase</b>											
.08	3600	42C	<b>CNL20082</b>	213	DS	7.39	10	55	115	1.13	2,20
1/8	1800	42C	<b>CNL20134</b>	232	DS	7.89	11	50	115	1.54	2,20
1/6	3600	42C	<b>CNL20172</b>	239	DS	8.39	13	68	115	1.9	2,20
<b>Three Phase</b>											
1/8	3600	42C	<b>CNM20132</b>	258	DS	7.39	8	64	230/460	0.35	2,20
	1800	42C	<b>CNM20134</b>	280	DS	7.39	10	62	208-230/460	0.43	2,20
1/4	3600	42C	<b>CNM20252</b>	288	DS	7.89	12	72	230/460	0.45	2,20

(a) See notes on inside back flap and pages 5-6.

■ Cast Iron Frame

Farm Duty Motors

Definite Purpose Motors

Unit Handling

Brake Motors

200 & 575 Volt Motors

IEC Frame Motors

50 Hertz Motors

Inverter/Vector Motors & Controls

DC Motors and Controls

Soft Start & Dynamic Brakes

Single and Three Phase, C-Face, TEFC

1/2 thru 5 Hp

NEMA 56C thru 184TC

**Applications:** Unit and baggage handling, conveyors, packaging equipment, machine tools, hoists, elevators and door operators.



**Features:** UL/CSA recognized and CE certified. CEUHM/VEUHM motors are Super-E® with NEMA Premium® efficiency, CUHM/VUHM motors are EPAct efficiency and all are inverter-ready. 143-145TY and 143-145TYC frame motors have a special base with 56, 143 and 145 slots used on OEM conveyors. 56-140 frames have low profile F3 top-mounted conduit box. 3 year warranty on Super-E® motors.

Hp	RPM	NEMA Frame	Catalog Number	List Price	Mult. Sym.	"C" Dim.	Aprx. Wt. (lb)	Full Load Efficiency	Voltage	Full Load Amps	Notes (a)
<b>Single Phase, C-Face, Foot Mounted</b>											
1/2	1800	56C	CUHL3518	412	K	12.22	37	64	115/208-230	4	
1	1800	56C	CUHL3519	502	K	13.22	35	67	115/208-230	6.4	
<b>Single Phase, C-Face, Footless</b>											
1/2	1800	56C	VUHL3518	390	K	12.22	29	64	115/208-230	4	
1	1800	56C	VUHL3519	480	K	13.22	34	67	115/208-230	6.4	
<b>Three Phase, C-Face, Foot Mounted</b>											
1/2	1800	56C	CUHM3538	353	K	12.23	29	74	208-230/460	1.2	1,48
3/4	1800	56C	CUHM3542	373	K	12.23	34	75.5	208-230/460	1.1	1,48
1	1800	56C	CUHM3546	400	K	12.23	31	82.5	208-230/460	1.56	1,48
		143TYC	CEUHM3546T	573	L1	13.29	39	87.5	208-230/460	1.5	1,48
		143TYC	CUHM3546T	400	L1	13.29	32	82.5	208-230/460	1.56	1,48
1 1/2	1800	56C	CUHM3554	435	K	13.23	37	84	208-230/460	2.4	1,48
		145TYC	CEUHM3554T	605	L1	13.29	27	86.5	208-230/460	2	1,48
		145TYC	CUHM3554T	435	L1	13.29	37	84	208-230/460	2.4	1,48
2	1800	56C	CUHM3558	467	K	13.23	39	84	208-230/460	3.1	1,48
		145TYC	CEUHM3558T	666	L1	14.17	30	86.5	208-230/460	2.6	1,48
		145TYC	CUHM3558T	467	L1	13.29	39	84	208-230/460	3.1	1,48
3	1800	182TC	CEUHM3611T	779	L1	16.55	47	89.5	208-230/460	4.1	1,48
		182TC	CUHM3611T	590	L1	16.56	77	87.5	208-230/460	4.1	1,48
5	1800	184TC	CUHM3615T	670	L1	16.55	91	89.5	208-230/460	6.5	1,48
<b>Three Phase, C-Face, Footless</b>											
1/2	1800	56C	VUHM3538	348	K	13.23	35	74	208-230/460	1.2	1,48
		56C	VEUHM3538	511	K	13.23	40	82.5	208-230/460	0.8	1,48
		56C	VUHM3538-5	348	K	13.23	35	82.5	575	0.6	1,48
3/4	1800	56C	VUHM3542	369	K	13.23	34	75.5	208-230/460	1.1	1,48
		56C	VEUHM3542	542	K	13.23	34	84	208-230/460	1.1	1,48
		56C	VUHM3542-5	369	K	13.23	4	75.5	575	0.9	1,48
1	1800	56C	VEUHM3546	558	K	13.23	39	87.5	208-230/460	1.5	1,48
		56C	VUHM3546-5	395	K	13.23	8	82.5	575	1.2	1,48
		56C	VUHM3546	395	K	13.23	32	82.5	208-230/460	1.56	1,48
		143TC	VEUHM3546T	569	L1	13.29	39	87.5	208-230/460	1.5	1,48
		143TC	VUHM3546T	395	L1	13.29	35	82.5	208-230/460	1.56	1,48
		143TC	VUHM3546T-5	395	L1	13.29	33	82.5	575	1.2	1,48
1 1/2	1800	56C	VUHM3554	430	K	13.23	37	84	208-230/460	2.4	1,48
		145TC	VEUHM3554T	594	L1	13.29	43	88.5	208-230/460	2.1	1,48
		145TC	VUHM3554T	430	L1	13.29	35	84	208-230/460	2.4	1,48
		145TC	VUHM3554T-5	430	L1	13.29	39	84	575	1.7	1,48
2	1800	56C	VUHM3558	463	K	13.23	39	84	208-230/460	3.1	1,48
		145TC	VEUHM3558T	660	L1	14.17	51	86.5	208-230/460	2.6	1,48
		145TC	VUHM3558T	463	L1	13.29	39	84	208-230/460	3.1	1,48
		145TC	VUHM3558T-5	463	L1	13.29	46	84	575	2.2	1,48
3	1800	182TC	VEUHM3611T	749	L1	16.55	64	89.5	208-230/460	4.1	1,48
		182TC	VUHM3611T	560	L1	16.52	59	87.5	208-230/460	4.1	1,48
5	1800	184TC	VUHM3615T	640	L1	16.55	87	89.5	208-230/460	6.5	1,48

(a) See notes on inside back flap and pages 5-6.

Farm Duty Motors

Definite Purpose Motors

Unit Handling Motors

Brake Motors

200 & 575 Volt Motors

IEC Frame Motors

50 Hertz Motors

Inverter/Vector Motors & Controls

DC Motors and Controls

Soft Starters & Dynamic Brakes

Farm Duty Motors

Definite Purpose Motors

Unit Handling Motors

Brake Motors

200 & 575 Volt Motors

IEC Frame Motors

50 Hertz Motors

Inverter/Vector Motors & Controls

DC Motors and Controls

Soft Start & Dynamic Brakes

**High Cycle Brake Motor, Three Phase**

1/2 thru 3 Hp

NEMA 56C thru 182TC

**Applications:** Unit and baggage handling, conveyors and other applications requiring frequent starting and stopping.



**Features:** UL/CSA recognized and CE certified. Low inertia high efficiency motor with cast aluminum footless frame for increased thermal dissipation specific to this application. A DC brake with integral rectifier provides for faster action than traditional spring-set brakes. Stearns brake thru 1 Hp in TENV enclosure; Dodge brake on 1.5 thru 3 Hp as TEFC enclosure.

Hp	RPM	NEMA Frame	Catalog Number	List Price	Mult. Sym.	"C" Dim.	Aprx. Wt. (lb)	Full Load Efficiency	Voltage	Full Load Amps	Brake Rating	Notes (a)
<b>C-Face, Footless</b>												
1/2	1800	56C	VRBM3538	1,154	K	13.62	36	75.5	208-230/460	0.9	6	1,60,106
3/4	1800	56C	VRBM3542	1,352	K	14.50	37	75	208-230/460	1.3	6	1,60,106
1	1800	56C	VRBM3546	1,558	K	15.50	46	80	230/460	1.6	6	1,60,106
		143TC	VRBM3546T	1,543	L1	15.57	54	80	208-230/460	1.6	6	1,60,106
1 1/2	1800	145TC	VRBM3554T	1,730	L1	16.37	67	82.5	208-230/460	2.3	10	1,106
2	1800	145TC	VRBM3558T	1,776	L1	17.25	76	84	208-230/460	2.9	10	1,106
3	1800	145TC	VRBM3561T	1,830	L1	18.62	84	87.5	230/460	4.1	15	1,106
		182TC	VRBM3161T	2,011	L1	18.62	83	87.5	208-230/460	4.1	15	1,106

(a) See notes on inside back flap and pages 5-6.

Efficiencies shown are nominal. Data subject to change without notice. Contact Baldor for certified data.

**D-Series Brake Motor, Single Phase, TEFC**

1/2 thru 1 Hp

NEMA 56C

**Applications:** Conveyors, packaging equipment, machine tools, hoists, elevators and door operators.



**Features:** UL/CSA recognized and CE certified. Dodge "D" Series brakes are spring set, magnetically released power off type brakes flange mounted to the motor. Brakes are single phase with built-in rectifier to DC. Brakes have a manual release lever. Leads are brought to the motor conduit box for connecting to the motor leads (56-140 frames) or connecting separately (180-210 frames). D series brake motors can be universally mounted. Low profile top-mounted F3 conduit box. 2 year warranty.

Hp	RPM	NEMA Frame	Catalog Number	List Price	Mult. Sym.	"C" Dim.	Aprx. Wt. (lb)	Full Load Efficiency	Voltage	Full Load Amps	Brake Rating	Notes (a)
<b>C-Face, Foot Mounted</b>												
1/2	1800	56C	CBL3518-D	1,023	K	17.29	44	64	115/208-230	4	3	
3/4	1800	56C	CBL3597-D	1,080	K	17.29	47	72	115/208-230	5.5	6	
1	1800	56C	CBL3519-D	1,136	K	17.29	50	67	115/230	6.4	6	30
<b>C-Face, Footless</b>												
1/2	1800	56C	VBL3518-D	1,018	K	17.29	44	64	115/208-230	4	3	
3/4	1800	56C	VBL3597-D	1,075	K	17.29	47	72	115/208-230	5.5	6	
1	1800	56C	VBL3519-D	1,131	K	17.29	50	67	115/230	6.4	6	30

(a) See notes on inside back flap and pages 5-6.



**D-Series  
Brake Motor,  
Three Phase,  
Totally Enclosed**

**1/2 thru 10 Hp**

**NEMA 56 thru 215T**

**Applications:** Unit and baggage handling, conveyors, packaging equipment, machine tools, hoists, elevators and door operators.

**Features:** UL/CSA recognized and CE certified. Dodge "D" Series brakes are spring set, magnetically released power off type brakes flange mounted to the motor. Brakes are single phase with built-in rectifier to DC. Brakes have a manual release lever. Leads are brought to the motor conduit box for connecting to the motor leads (56-140 frames) or connecting separately (180-210 frames). 56-140 frames have low profile F3 top-mounted conduit box. D series brake motors can be universally mounted. Inverter ready. 143-145TY and 143-145TYC frame motors have a special base with 56, 143 and 145 slots used on OEM conveyors. 2 year warranty.



Hp	RPM	NEMA Frame	Enclosure	Catalog Number	List Price	Mult. Sym.	"C" Dim.	Aprx. Wt. (lb)	Full Load Efficiency	Voltage	Full Load Amps	Brake Rating	Notes (a)
<b>Foot Mounted</b>													
1/2	1800	56	TENV	<b>BNM3538-D</b>	779	K	11.25	41	75.5	208-230/460	0.8	3	1,48
3/4	1800	56	TENV	<b>BNM3542-D</b>	1,060	K	11.25	43	84	208-230/460	1.1	6	1,48
1	1800	56	TENV	<b>BNM3546-D</b>	1,100	K	12.25	50	85.5	208-230/460	1.4	6	1,48
		143TY	TENV	<b>BNM3546T-D</b>	1,100	L1	12.32	53	85.5	208-230/460	1.4	6	1,48
1 1/2	1800	56	TENV	<b>BNM3554-D</b>	1,141	K	13.12	32	86.5	208-230/460	2	10	1,48
		145TY	TENV	<b>BNM3554T-D</b>	1,141	L1	13.19	35	86.5	208-230/460	2	10	1,48
2	1800	56	TEFC	<b>BM3558-D</b>	1,168	K	17.29	34	84	208-230/460	3.1	10	1,48
		145TY	TEFC	<b>BM3558T-D</b>	1,168	L1	17.35	25	84	208-230/460	3.1	10	1,48
3	1800	182T	TEFC	<b>BM3611T-D</b>	1,583	L1	20.61	70	87.5	208-230/460	4.1	15	1,48
5	1800	184T	TEFC	<b>BM3615T-D</b>	1,966	L1	21.64	114	89.5	208-230/460	6.5	15	1,48
7 1/2	1800	213T	TEFC	<b>BM3710T-D</b>	2,527	L1	24.29	162	89.5	208-230/460	10.1	25	1,48
10	1800	215T	TEFC	<b>BM3714T-D</b>	3,215	L1	25.42	174	89.5	208-230/460	13.5	35	1,48
<b>C-Face, Foot Mounted</b>													
2	1800	145TYC	TEFC	<b>CBM3558T-D</b>	1,246	L1	17.35	28	84	208-230/460	3.1	10	1,48
3	1800	182TC	TEFC	<b>CBM3611T-D</b>	1,643	L1	20.67	60	87.5	208-230/460	4.1	15	1,48
5	1800	184TC	TEFC	<b>CBM3615T-D</b>	1,947	L1	21.64	110	89.5	208-230/460	6.5	25	1,48
7 1/2	1800	213TC	TEFC	<b>CBM3710T-D</b>	2,642	L1	26.17	162	89.5	208-230/460	10.1	25	1,48
10	1800	215TC	TEFC	<b>CBM3714T-D</b>	3,330	L1	26.17	174	89.5	208-230/460	13.5	35	1,48
<b>C-Face, Footless</b>													
1/2	1800	56C	TEFC	<b>VBM3538-D</b>	1,014	K	17.29	27	74	208-230/460	1.2	3	1,48
		56C	TEFC	<b>VBM3538-5D</b>	1,014	K	16.29	25	74	575	0.9	3	1,48
		56C	TENV	<b>VBNM3538-D</b>	1,038	K	15.96	45	75.5	208-230/460	0.85	3	1,48
3/4	1800	56C	TEFC	<b>VBM3542-D</b>	1,053	K	16.29	41	84	208-230/460	1.1	6	1,48
		56C	TENV	<b>VBNM3542-D</b>	1,077	K	15.96	20	80	208-230/460	1.1	6	1,48
		56C	TEFC	<b>VBNM3546-D</b>	1,126	K	15.96	51	85.5	208-230/460	1.4	6	1,48
1	1800	56C	TEFC	<b>VBM3546-D</b>	1,101	K	16.29	20	82.5	208-230/460	1.56	6	1,48
		143TC	TEFC	<b>VBM3546T-D</b>	1,101	L1	16.35	38	82.5	208-230/460	1.56	6	1,48
		143TC	TEFC	<b>VBM3546T-5D</b>	1,101	L1	16.35	27	82.5	575	1.2	6	1,48
		143TC	TENV	<b>VBNM3546T-D</b>	1,126	L1	16.02	28	85.5	208-230/460	1.4	6	1,48
1 1/2	1800	56C	TEFC	<b>VBM3554-D</b>	1,142	K	17.29	51	84	208-230/460	2.4	10	1,48
		56C	TENV	<b>VBNM3554-D</b>	1,166	K	16.83	60	86.5	208-230/460	2	10	1,48
		145TC	TEFC	<b>VBM3554T-D</b>	1,142	L1	17.35	45	84	208-230/460	2.4	10	1,48
		145TC	TEFC	<b>VBM3554T-5D</b>	1,142	L1	17.35	57	84	575	1.7	10	1,48
2	1800	145TC	TENV	<b>VBNM3554T-D</b>	1,166	L1	16.90	33	86.5	208-230/460	2	10	1,48
		56C	TEFC	<b>VBM3558-D</b>	1,168	K	18.09	56	84	208-230/460	3.1	10	1,48
		145TC	TEFC	<b>VBM3558T-D</b>	1,168	L1	17.35	65	84	208-230/460	3.1	10	1,48
3	1800	145TC	TEFC	<b>VBM3558T-5D</b>	1,168	L1	17.35	31	84	575	2.2	10	1,48
		182TC	TEFC	<b>VBM3611T-D</b>	1,618	L1	20.62	65	87.5	208-230/460	4.1	15	1,48
		182TC	TEFC	<b>VBM3611T-5D</b>	1,618	L1	20.62	65	87.5	575	3.4	15	1,48
5	1800	184TC	TEFC	<b>VBM3615T-D</b>	2,001	L1	21.64	115	89.5	208-230/460	6.5	15	1,48
		184TC	TEFC	<b>VBM3615T-5D</b>	2,001	L1	21.64	114	89.5	575	5.2	15	1,48
		7 1/2	1800	213TC	TEFC	<b>VBM3710T-D</b>	2,611	L1	25.04	162	89.5	208-230/460	10.1
10	1800	215TC	TEFC	<b>VBM3714T-D</b>	3,299	L1	26.17	174	89.5	208-230/460	13.5	35	1,48

(a) See notes on inside back flap and pages 5-6.

Farm Duty Motors

Definite Purpose Motors

Unit Handling Motors

Brake Motors

200 & 575 Volt Motors

IEC Frame Motors

50 Hertz Motors

Inverter/Vector Motors & Controls

DC Motors and Controls

Soft Starters & Dynamic Brakes



**Short Series  
Brake Motor,  
Three Phase,  
TEFC**

1/2 thru 5 Hp

NEMA 56 thru 184TC

**Applications:** Unit and baggage handling, conveyors, packaging equipment, machine tools, hoists, elevators and door operators.

**Features:** UL/CSA recognized and CE certified. Dodge short series brakes are spring set, magnetically released power off type brakes and integrally mounted in the motor for the most compact design. Brakes are single phase with built-in rectifier to DC. Brakes have a manual release lever. Leads are brought to the motor conduit box for connecting to the motor leads (56-140 frames) or connecting separately (180-210 frames). 56-140 frames have low profile F3 top-mounted conduit box. Inverter ready. SSB brake motors can be universally mounted and are inverter ready. 143-145TY and 143-145TYC frame motors have a special base with 56, 143 and 145 slots used on OEM conveyors. 2 year warranty.



Hp	RPM	NEMA Frame	Catalog Number	List Price	Mult. Sym.	"C" Dim.	Aprx. Wt. (lb)	Full Load Efficiency	Voltage	Full Load Amps	Brake Rating	Notes (a)
<b>Foot Mounted</b>												
1/2	1800	56	<b>BM3538-S</b>	970	K	14.37	42	74	208-230/460	1.2	3	1,48
3/4	1800	56	<b>BM3542-S</b>	1,008	K	14.37	43	84	208-230/460	1.1	3	1,48
1	1800	56	<b>BM3546-S</b>	1,046	K	14.37	41	82.5	208-230/460	1.56	6	1,48
		143TY	<b>BM3546T-S</b>	1,046	L1	15.43	47	82.5	208-230/460	1.56	6	1,48
1 1/2	1800	145TY	<b>BM3554T-S</b>	1,084	L1	15.43	51	84	208-230/460	2.4	10	1,48
2	1800	145TY	<b>BM3558T-S</b>	1,111	L1	15.43	53	84	208-230/460	3.1	10	1,48
3	1800	182T	<b>BM3611T-S</b>	1,505	L1	18.68	72	87.5	208-230/460	4.1	15	1,48
5	1800	184T	<b>BM3615T-S</b>	1,867	L1	18.68	88	89.5	208-230/460	6.5	25	1,48
<b>C-Face, Footless</b>												
1/2	1800	56C	<b>VBM3538-S</b>	962	K	14.37	44	74	208-230/460	1.2	3	1,48
		56C	<b>VBM3538-5S</b>	962	K	14.37	24	75.5	575	0.6	3	1,48
3/4	1800	56C	<b>VBM3542-S</b>	1,002	K	14.37	41	84	208-230/460	1.1	3	1,48
1	1800	56C	<b>VBM3546-S</b>	1,047	K	14.37	44	82.5	208-230/460	1.56	6	1,48
		56C	<b>VBM3546-5S</b>	1,047	K	14.37	47	82.5	575	1.2	6	1,48
		143TC	<b>VBM3546T-S</b>	1,047	L1	14.43	45	78.5	208-230/460	1.7	6	1,48
1 1/2	1800	56C	<b>VBM3554-S</b>	1,086	K	15.37	51	84	208-230/460	2.4	10	1,48
		145TC	<b>VBM3554T-S</b>	1,086	L1	15.43	51	84	208-230/460	2.4	10	1,48
		145TC	<b>VBM3554T-5S</b>	1,086	L1	15.43	52	84	575	1.7	10	1,48
2	1800	56C	<b>VBM3558-S</b>	1,111	K	15.37	52	84	208-230/460	3.1	10	1,48
		145TC	<b>VBM3558T-S</b>	1,111	L1	15.43	52	84	208-230/460	3.1	10	1,48
		145TC	<b>VBM3558T-5S</b>	1,111	L1	15.43	58	84	575	2.2	10	1,48
3	1800	182TC	<b>VBM3611T-S</b>	1,537	L1	18.68	85	87.5	208-230/460	4.1	15	1,48
5	1800	184TC	<b>VBM3615T-S</b>	1,901	L1	—	88	89.5	208-230/460	6.5	25	1,48

(a) See notes on inside back flap and pages 5-6.

**D-Series and SSB Fast Response Brake Kit**

Frame	Enclosure	Catalog Number	Voltage	Aprx. Wt. (lb)	List Price	Mult. Sym.
56 - 180	TENV, TEFC, SSB	<b>FBRK115230</b>	115/230	1	108	A8
56 - 180	TENV, TEFC, SSB	<b>FBRK230460</b>	230/460	1	119	A8

Farm Duty Motors

Definite Purpose Motors

Unit Handling Motors

Brake Motors

200 & 575 Volt Motors

IEC Frame Motors

50 Hertz Motors

Inverter/Vector Motors & Controls

DC Motors and Controls

Soft Start & Dynamic Brakes

**Three Phase,  
Super-E  
Premium Efficient,  
TEFC**

**1 thru 30 Hp**

**NEMA 56 thru 284T**

**Applications:** Machine tools, conveyors, door operators, speed reducers, any application requiring quick stops and positive hold.

**Features:** Standard NEMA BA dimension. (C-Face may be added in ModExpress to EBM motors for C-Face with base). Spring-set brake. Power off manual release. Resets automatically. Motors have NEMA Premium® Efficiency and inverter-ready. 230/460V brakes are connected in conduit box allowing for separate connection when used with an inverter.



Hp	RPM	NEMA Frame	Catalog Number	List Price	Mult. Sym.	"C" Dim.	Aprx. Wt. (lb)	Full Load Efficiency	Voltage	Full Load Amps	Brake Rating	Notes (a)
<b>Foot Mounted</b>												
1	1800	56	<b>EBM3546</b>	1,287	K	17.80	48	87.5	208-230/460	1.5	6	1,41,48
		143T	<b>EBM3546T</b>	1,287	L1	17.86	47	87.5	208-230/460	1.5	6	1,41,48
1 1/2	1800	145T	<b>EBM3554T</b>	1,449	L1	18.74	52	88.5	208-230/460	2.1	10	1,41,48
2	1800	145T	<b>EBM3558T</b>	1,481	L1	18.74	56	86.5	208-230/460	2.7	10	1,41,48
3	1800	182T	<b>EBM3611T</b>	1,919	L1	21.12	86	89.5	208-230/460	4.1	15	1,41,48
5	1800	184T	<b>EBM3615T</b>	2,327	L1	22.65	109	90.2	230/460	6.5	25	1,30,40,48
7 1/2	1800	213T	<b>EBM3710T</b>	3,121	L1	27.20	158	91.7	230/460	9.4	35	1,30,40,48
10	1800	215T	<b>EBM3714T</b>	3,858	L1	29.19	176	92.4	230/460	12.5	50	1,40,48
15	1800	254T	<b>EBM2333T</b>	5,459	L1	33.07	280	92.4	230/460	18.5	75	1,30,48
20	1800	256T	<b>EBM2334T</b>	6,619	L1	33.57	331	93	230/460	24	105	1,30,48
25	1800	284T	<b>EBM4103T</b>	7,450	L1	36.19	504	93.6	230/460	30	105	1,30,48
30	1800	284T	<b>EBM4104T</b>	10,091	L1	42.84	701	94.1	230/460	36	125	1,30,48
<b>C-Face, Footless</b>												
1/2	1800	56C	<b>VEBNM3538</b>	1,149	K	15.31	41	82.5	208-230/460	1.2	3	1,41,48
3/4	1800	56C	<b>VEBNM3542</b>	1,292	K	15.21	19	82.5	230/460	1.3	6	1,41
1	1800	56C	<b>VEBM3546</b>	1,309	K	17.80	52	87.5	208-230/460	1.5	6	1,41,48
		56C	<b>VEBNM3546</b>	1,292	K	15.21	50	82.5	230/460	1.45	6	1,41
		143TC	<b>VEBM3546T</b>	1,318	L1	17.86	49	87.5	208-230/460	1.5	6	1,41,48
1 1/2	1800	56C	<b>VEBM3554</b>	1,472	K	18.35	26	88.5	208-230/460	2.1	10	1,41,48
		145TC	<b>VEBM3554T</b>	1,481	L1	18.74	52	88.5	208-230/460	2.1	10	1,41,48
2	1800	56C	<b>VEBM3558</b>	1,512	K	18.35	34	81.8	208-230/460	3.1	10	1,48
		145TC	<b>VEBM3558T</b>	1,512	L1	18.74	57	86.5	208-230/460	2.7	10	1,41,48
3	1800	182TC	<b>VEBM3611T</b>	1,981	L1	21.11	81	89.5	208-230/460	4.1	15	1,41,48
5	1800	184TC	<b>VEBM3615T</b>	2,386	L1	23.06	101	90.2	230/460	6.5	25	1,30,40,48
7 1/2	1800	213TC	<b>VEBM3710T</b>	3,258	L1	27.95	126	91.7	230/460	9.4	35	1,30,40,48
10	1800	215TC	<b>VEBM3714T</b>	3,995	L1	29.95	158	92.4	230/460	12.5	50	1,30,40,48

(a) See notes on inside back flap and pages 5-6.

■ Cast Iron Frame

Farm Duty Motors

Definite Purpose Motors

Unit Handling Motors

Brake Motors

200 & 575 Volt Motors

IEC Frame Motors

50 Hertz Motors

Inverter/Vector Motors & Controls

DC Motors and Controls

Soft Starters & Dynamic Brakes

**Single and Three Phase, TEFC, Foot Mounted**

**1/4 thru 30 Hp**

**NEMA 56 thru 286T**

**Applications:** Machine tools, conveyors, door operators, speed reducers, any application requiring quick stops and positive hold.

**Features:** Spring-set brake. Power off operation manual release. Resets automatically. Brakes internally connected to motor on 215T and smaller.



Farm Duty Motors

Definite Purpose Motors

Unit Handling Motors

Brake Motors

200 & 575 Volt Motors

IEC Frame Motors

50 Hertz Motors

Inverter/Vector Motors & Controls

DC Motors and Controls

Soft Start & Dynamic Brakes

Hp	RPM	NEMA Frame	Catalog Number	List Price	Mult. Sym.	"C" Dim.	Aprx. Wt. (lb)	Full Load Efficiency	Voltage	Full Load Amps	Brake Rating	Notes (a)
<b>Single Phase</b>												
1/4	1800	56	<b>BL3516</b>	721	K	14.36	28	59.5	115/230	2.1	3	2,30,41,60
1/3	1800	56	<b>BL3517</b>	760	K	15.46	29	60	115/230	3	3	30,41
1/2	1800	56	<b>BL3518</b>	825	K	16.08	33	68	115/230	3.7	3	30,41
3/4	1800	56	<b>BL3507</b>	1,083	K	16.71	40	72	115/230	4.2	6	30,41
1	1800	56	<b>BL3510</b>	1,147	K	17.11	48	67	115/230	6.4	6	30,41
<b>Three Phase</b>												
1/4	1800	56	<b>BM3568</b>	692	K	14.36	27	68	208-230/460	0.5	3	2,41,60
1/3	1800	56	<b>BM3569</b>	732	K	14.36	28	70	208-230/460	0.7	3	2,41,60
1/2	1800	56	<b>BM3538</b>	796	K	14.98	31	75.5	208-230/460	0.9	3	2,41,60
	1200	56	<b>BM3539</b>	1,096	K	16.45	29	72	230/460	1.2	6	30,41
3/4	1800	56	<b>BM3542</b>	930	K	16.45	32	75.5	208-230/460	1.5	6	41
	1200	56	<b>BM3543</b>	1,151	K	17.45	39	77	208-230/460	1.5	6	41
1	1800	56	<b>BM3546</b>	1,080	K	17.45	38	78.5	208-230/460	1.7	6	41
		143T	<b>BM3546T</b>	1,080	L1	17.01	39	78.5	208-230/460	1.7	6	41
		182	<b>BM3603</b>	1,497	L1	17.49	42	77	208-230/460	1.7	6	41
1 1/2	1800	1200	<b>BM3556T</b>	1,538	L1	17.94	48	75.5	208-230/460	1.7	10	41
		56	<b>BM3554</b>	1,212	K	17.56	43	84	208-230/460	2.1	10	41
		145T	<b>BM3554T</b>	1,212	L1	17.94	44	84	208-230/460	2.1	10	41
2	1800	184	<b>BM3606</b>	1,601	L1	17.94	48	78.5	208-230/460	2.5	10	41
		56	<b>BM3558</b>	1,242	K	17.56	50	82.5	208-230/460	3.1	10	41
		143T	<b>BM3558T</b>	1,242	L1	17.49	52	82.5	208-230/460	3.1	10	41
3	1800	184	<b>BM3609</b>	1,667	L1	17.94	52	82.5	208-230/460	3.1	10	41
		1200	<b>BM3614T</b>	2,059	L1	20.57	75	80	208-230/460	3.3	15	41
		182T	<b>BM3611T</b>	1,683	L1	19.19	66	82.5	208-230/460	4.3	15	1,41
5	1800	182T	<b>P18A1585</b>	1,683	L1	19.04	57	85	208-230/460	4.3	15	2,106
		213	<b>BM3703</b>	2,518	L1	22.42	76	82.5	208-230/460	4.3	15	1
		213T	<b>BM3704T</b>	3,051	L1	25.88	154	84	208-230/460	4.8	35	1,40
7 1/2	1800	184T	<b>BM3615T</b>	2,089	L1	21.02	88	85.5	208-230/460	6.6	25	1,40
		184T	<b>BM3635T</b>	1,775	L1	21.02	84	85.5	208-230/460	6.6	15	1
		184T	<b>P18A1586</b>	1,775	L1	20.04	54	84	208-230/460	6.6	15	2,106
10	1800	215	<b>BM3707</b>	3,080	L1	22.87	91	85.5	208-230/460	6.6	25	1,40
		213T	<b>BM3730T</b>	2,549	L1	25.88	157	89.5	208-230/460	10.1	25	1,40
		213T	<b>BM3710T</b>	2,686	L1	25.88	162	87.5	208-230/460	10.9	35	1,40
15	1800	215T	<b>BM3714T</b>	3,417	L1	27.51	174	89.5	208-230/460	13.5	50	1,2,20
		215T	<b>BM3734T</b>	2,829	L1	27.51	166	89.5	208-230/460	13.5	35	1,2,20,40
		254T	<b>BM2333T</b>	4,584	L1	30.80	291	89.5	208-230/460	18.9	75	1
20	1800	254T	<b>BM2353T</b>	4,136	L1	29.38	270	89.5	208-230/460	18.9	50	1
		254T	<b>P25G1736</b>	4,136	L1	35.12	341	85.5	230/460	19.5	50	1,43
		256T	<b>BM2334T</b>	5,685	L1	31.63	327	91	230/460	25	105	1,30
25	1800	256T	<b>BM2354T</b>	4,807	L1	31.13	322	91	230/460	25	75	1,30
		256T	<b>P25G1737</b>	4,807	L1	35.12	420	87.5	230/460	25.4	75	1,43
		284T	<b>BM4103T</b>	6,020	L1	35.83	380	89.5	230/460	32	105	1,30
30	1800	284T	<b>P28G1714</b>	6,020	L1	37.62	458	87.5	230/460	31	105	1,43
		286T	<b>BM4104T</b>	8,443	L1	39.13	533	90.2	230/460	38	125	1,30

(a) See notes on inside back flap and pages 5-6.

Enclosed brake motors have non-standard "BA" dimension except for TENV ratings.

↔ = Functional Equivalent

■ Cast Iron Frame

Single and Three Phase, TEFC, C-Face

1/4 thru 10 Hp

NEMA 56C thru 215TC

**Applications:** Machine tools, conveyors, door operators, speed reducers, any application requiring quick stops and positive hold.

**Features:** Spring-set brake. Power off operation manual release. Resets automatically. Brakes internally connected to motor on 215T and smaller.



Hp	RPM	NEMA Frame	Catalog Number	List Price	Mult. Sym.	"C" Dim.	Aprx. Wt. (lb)	Full Load Efficiency	Voltage	Full Load Amps	Brake Rating	Notes (a)
<b>Single Phase, C-Face, Footless</b>												
1/3	1800	56C	<b>KBL3406</b>	775	K	15.45	28	60	115/230	3	3	30,41
1/2	1800	56C	<b>KBL3409</b>	851	K	16.07	33	68	115/230	3.7	3	30,41
3/4	1800	56C	<b>VBL3507</b>	1,104	K	16.82	41	72	115/230	4.2	6	30,41
1	1800	56C	<b>VBL3510</b>	1,170	K	17.80	48	67	115/230	6.4	6	30,41
		143TC	<b>VBL3510T</b>	1,170	L1	17.86	49	67	115/230	6.4	6	30,41
<b>Three Phase, C-Face, Foot Mounted</b>												
1	1800	143TC	<b>CBM3546T</b>	1,133	L1	17.86	42	77	208-230/460	1.7	6	41
1 1/2	1800	145TC	<b>CBM3554T</b>	1,270	L1	17.86	46	78.5	208-230/460	2.5	10	41
2	1800	145TC	<b>CBM3558T</b>	1,306	L1	17.86	50	82.5	208-230/460	3.1	10	41
3	1800	182TC	<b>CBM3611T</b>	1,763	L1	19.74	71	82.5	208-230/460	4.3	15	1,41
5	1800	184TC	<b>CBM3615T</b>	2,204	L1	21.56	90	85.5	208-230/460	6.6	25	8
7 1/2	1800	213TC	<b>CBM3710T</b>	2,810	L1	26.83	163	87.5	208-230/460	10.9	35	1
10	1800	215TC	<b>CBM3714T</b>	3,610	L1	28.45	166	89.5	208-230/460	13.5	50	1
<b>Three Phase, C-Face, Footless</b>												
1/4	1800	56C	<b>KBM3454</b>	701	K	14.36	26	68	208-230/460	0.5	3	2,41,60
1/3	1800	56C	<b>KBM3458</b>	745	K	14.36	28	70	208-230/460	0.7	3	2,41,60
1/2	1800	56C	<b>VBM3538</b>	813	K	14.98	31	75.5	208-230/460	0.9	3	2,41,60
3/4	1800	56C	<b>VBM3542</b>	953	K	15.86	37	75	208-230/460	1.3	6	2,41,60
		56C	<b>VBM3542-5</b>	953	K	15.26	42	80	575	0.9	6	2,41,60
1	1800	56C	<b>VBM3546</b>	1,097	K	16.96	38	78.5	208-230/460	1.7	6	41
		143TC	<b>VBM3546T</b>	1,097	L1	17.02	39	78.5	208-230/460	1.7	6	41
		143TC	<b>VBM3546T-5</b>	1,097	L1	17.32	39	75	575	1.4	6	41
1 1/2	1800	56C	<b>VBM3554</b>	1,232	K	18.25	43	84	208-230/460	2.1	10	41
		145TC	<b>VBM3554T</b>	1,232	L1	18.32	52	84	208-230/460	2.1	10	41
2	1800	56C	<b>VBM3558</b>	1,263	K	17.80	52	82.5	208-230/460	3.1	10	41
		143TC	<b>VBM3558T</b>	1,263	L1	17.86	51	82.5	208-230/460	3.1	10	41
3	1800	182TC	<b>VBM3611T</b>	1,766	L1	19.74	67	82.5	208-230/460	4.3	15	1,41
5	1800	184TC	<b>VBM3615T</b>	2,182	L1	21.56	85	85.5	208-230/460	6.6	25	1,40
7 1/2	1800	213TC	<b>VBM3710T</b>	2,795	L1	26.83	161	87.5	208-230/460	10.9	35	1,40
10	1800	215TC	<b>VBM3714T</b>	3,547	L1	28.45	171	89.5	208-230/460	13.5	50	1

(a) See notes on inside back flap and pages 5-6.

If brake motors are to be used with any electronic control, soft start, inverter or vector etc., then brake must be externally connected.

**BRAKE INTERNALLY CONNECTED TO MOTOR ON 215T OR SMALLER NEMA FRAMES.**

Farm Duty Motors

Definite Purpose Motors

Unit Handling Motors

Brake Motors

200 & 575 Volt Motors

IEC Frame Motors

50 Hertz Motors

Inverter/Vector Motors & Controls

DC Motors and Controls

Soft Starters & Dynamic Brakes

**Three Phase, ODP**

**1/2 thru 15 Hp**

**NEMA 56 thru 254T**

**Applications:** Machine tools, conveyors, door operators, speed reducers, any application requiring quick stops and positive hold.

**Features:** Spring-set brake. Power off operation manual release. Resets automatically. Brakes internally connected to motor on 215T and smaller.



Hp	RPM	NEMA Frame	Catalog Number	List Price	Mult. Sym.	"C" Dim.	Aprx. Wt. (lb)	Full Load Efficiency	Voltage	Full Load Amps	Brake Rating	Notes (a)
<b>Foot Mounted</b>												
1/2	1800	56	<b>BM3108</b>	749	K	14.14	27	74	230/460	1	3	30,41
3/4	1800	56	<b>BM3112</b>	872	K	14.77	31	75.5	208-230/460	1.5	6	41
1	1800	56	<b>BM3116</b>	949	K	15.64	34	78.5	208-230/460	1.7	3	41
		143T	<b>BM3116T</b>	949	L1	15.43	35	78.5	208-230/460	1.7	6	41
1 1/2	1800	145T	<b>BM3154T</b>	1,107	L1	15.32	41	78.5	208-230/460	2.4	10	41
2	1800	145T	<b>BM3157T</b>	1,251	L1	16.32	47	78.5	208-230/460	3.2	10	41
3	1800	182T	<b>BM3211T</b>	1,541	L1	18.19	68	82.5	208-230/460	4.3	15	41
		184T	<b>BM3218T</b>	1,935	L1	20.02	82	82.5	208-230/460	7	25	40
5	1800	184T	<b>BM3248T</b>	1,636	L1	19.57	74	82.5	208-230/460	7	15	40
		213T	<b>BM3311T</b>	2,366	L1	24.45	127	85.5	208-230/460	10.4	35	40
10	1800	215T	<b>BM3313T</b>	2,995	L1	24.95	147	89.5	208-230/460	13.4	50	1
15	1800	254T	<b>BM2513T</b>	4,011	L1	28.63	237	89.5	208-230/460	19.1	75	1
<b>C-Face, Footless</b>												
1/2	1800	56C	<b>VBM3108</b>	767	K	14.36	28	74	230/460	1	3	30,41
3/4	1800	56C	<b>VBM3112</b>	896	K	15.36	32	75.5	208-230/460	1.5	6	41
1	1800	56C	<b>VBM3116</b>	970	K	15.36	34	78.5	208-230/460	1.7	6	41
		143TC	<b>VBM3116T</b>	970	L1	15.42	34	78.5	208-230/460	1.7	6	41
1 1/2	1800	56C	<b>VBM3154</b>	1,127	K	15.26	42	78.5	208-230/460	2.4	10	41
		145TC	<b>VBM3154T</b>	1,127	L1	15.32	42	78.5	208-230/460	2.4	10	41
2	1800	145TC	<b>VBM3157T</b>	1,270	L1	16.32	47	78.5	208-230/460	3.2	10	41
3	1800	182TC	<b>VBM3211T</b>	1,609	L1	18.20	71	82.5	208-230/460	4.3	15	41
		184TC	<b>VBM3218T</b>	1,997	L1	20.02	77	82.5	208-230/460	7	25	40
5	1800	184TC	<b>VBM3248T</b>	1,679	L1	19.57	74	82.5	208-230/460	7	15	40

(a) See notes on inside back flap and pages 5-6.

If brake motors are to be used with any electronic control, soft start, inverter or vector etc., then brake must be externally connected.

**ALL BRAKE MOTORS WITH 20 FT.-LB OR SMALLER BRAKES CAN BE MOUNTED HORIZONTAL OR VERTICAL. FOR LARGER RATINGS CONSULT A BALDOR DISTRICT OFFICE. ALL MOTORS INCLUDE MANUAL RELEASE BRAKES AS STANDARD. BRAKES ON NON-EXPLOSION PROOF MOTORS 10 HP AND BELOW ARE INTERNALLY CONNECTED.**

Farm Duty Motors

Definite Purpose Motors

Unit Handling Motors

Brake Motors

200 & 575 Volt Motors

IEC Frame Motors

50 Hertz Motors

Inverter/Vector Motors & Controls

DC Motors and Controls

Soft Start & Dynamic Brakes

Three Phase,  
Explosion Proof,  
C-Face

1/2 thru 5 Hp

NEMA 56C thru 215TC

**Applications:** Machine tools, conveyors, door operators, speed reducers, any application requiring quick stops and positive hold.

**Features:** Spring-set brake. Power off operation manual release. Resets automatically. Explosion proof brakes require external connections.



Hp	RPM	NEMA Frame	Catalog Number	XP (a)	List Price	Mult. Sym.	"C" Dim.	Aprx. Wt. (lb)	Full Load Efficiency	Voltage	Full Load Amps	Brake Rating	Notes (b)
1/2	1800	56C	CBM7006A	①	2,757	K	18.50	39	75.5	208-230/460	0.8	3	2,60,62
3/4	1800	56C	CBM7010	①	3,040	K	19.13	97	80	208-230/460	1.1	6	2,60,62
1	1800	143TC	CBM7014T	①	3,504	L1	20.37	105	80	208-230/460	1.5	6	2,60,62
1 1/2	1800	145TC	CBM7034T	①	3,873	L1	21.62	82	84	208-230/460	2.1	10	28
2	1800	182TC	CBM7023T	①	4,241	L1	23.24	137	84	230/460	2.9	10	2,60,62
		182TC	P18G2130	⑧	5,236	L1	27.22	211	87.5	230/460	4.1	15	
3	1800	215TC	CBM7027T	①	5,881	L1	27.29	215	84	230/460	4.3	15	2,40,60,62
		184TC	CBM7044T	①	5,631	L1	27.22	215	87.5	230/460	6.7	25	
5	1800	184TC	P18G2131	⑧	6,307	L1	27.22	256	87.5	230/460	6.5	25	

(a) See explosion proof symbols on inside back flap.

(b) See notes on inside back flap and pages 5-6.

■ Cast Iron Frame

Three Phase,  
Totally Enclosed,  
C-Face,  
Foot Mounted

1/2 thru 5 Hp

NEMA 56C thru 184TC

**Applications:** Food processing and other applications where motors receive washdown on a regular basis.

**Features:** Class F insulated motor with 1.15 service factor or higher that operates within class "B" temperature limits at rated horsepower. Standard NEMA BA dimension, 300 series stainless steel hardware, moisture sealant on bolt heads, between frame and end plates. Neoprene gaskets. Spring-set brake internally connected to the motor. Power off manual release. Resets automatically. Motors have NEMA Premium® Efficiency and inverter-ready. 230/460V brakes are connected in conduit box allowing for separate connection when used with an inverter.



Hp	RPM	NEMA Frame	Enclosure	Catalog Number	List Price	Mult. Sym.	"C" Dim.	Aprx. Wt. (lb)	Full Load Efficiency	Voltage	Full Load Amps	Brake Rating	Notes (a)
1/2	1800	56C	TENV	CEWDBM3538	1,671	WD	15.31	42	82.5	230/460	0.8	3	1
3/4	1800	56C	TENV	CEWDBM3542	1,806	WD	15.31	43	82.5	230/460	1.1	6	1
1	1800	56C	TENV	CEWDBM3546	1,854	WD	16.31	52	86.5	208-230/460	1.4	6	1
		143TC	TENV	CEWDBM3546T	1,873	WD	16.81	51	86.5	208-230/460	1.4	6	1
1 1/2	1800	145TC	TENV	CEWDBM3554T	2,018	WD	18.14	58	86.5	230/460	2	10	1,30
2	1800	145TC	TEFC	CEWDBM3558T	2,053	WD	19.44	57	86.5	208-230/460	2.7	10	1
3	1800	182TC	TEFC	CEWDBM3611T	2,484	WD	15.56	89	89.5	208-230/460	4.1	15	1
5	1800	184TC	TEFC	CEWDBM3615T	3,001	WD	17.06	111	90.2	230/460	6.5	25	1,30

(a) See notes on inside back flap and pages 5-6.

Efficiencies shown are nominal. Data subject to change without notice. Contact Baldor for certified data.

Farm Duty Motors

Definite Purpose Motors

Unit Handling Motors

Brake Motors

200 & 575 Volt Motors

IEC Frame Motors

50 Hertz Motors

Inverter/Vector Motors & Controls

DC Motors and Controls

Soft Starters & Dynamic Brakes



**200 Volt,  
Three Phase,  
TEFC, Foot Mounted**

1/2 thru 50 Hp

NEMA 56C thru 326T

**Applications:** Pumps, fans, compressors, blowers, machine tools, conveyors and many other applications requiring 200 volt power.

**Features:** 1.15 Service Factor, positively locked drive end bearing on 254T and larger, ball bearings, dynamically balanced rotors. EM Super-E® / XE motors have NEMA Premium® efficiency and 3 year warranty.



Hp	RPM	NEMA Frame	Catalog Number	List Price	Mult. Sym.	"C" Dim.	Aprx. Wt. (lb)	Full Load Efficiency	Voltage	Full Load Amps	Notes (a)
<b>Foot Mounted</b>											
1	1800	143T	<b>EM3546T-8</b>	612	L1	13.31	39	87.5	200	3.5	1,30,68
		143T	<b>M3546T-8</b>	414	L1	12.31	28	77	200	4	68
1 1/2	1800	145T	<b>EM3554T-8</b>	636	L1	14.19	42	88.5	200	4.8	1,30,68
		145T	<b>M3554T-8</b>	423	L1	12.31	36	78.5	200	6.2	68
2	1800	145T	<b>EM3558T-8</b>	659	L1	14.19	49	86.5	200	6.3	1,30,68
		145T	<b>M3558T-8</b>	444	L1	13.31	43	82.5	200	7	68
3	3600	182T	<b>EM3660T-8</b>	945	L1	15.24	89	88.5	200	7.8	1,30,68
		182T	<b>EM3661T-8</b>	972	L1	15.24	91	89.5	200	9.1	1,30,68
		182T	<b>M3611T-8</b>	525	L1	15.14	53	87.5	200	9.5	1,68
5	3600	184T	<b>EM3663T-8</b>	1,163	L1	15.24	97	89.5	200	13	1,30,68
		184T	<b>EM3665T-8</b>	973	L1	15.24	109	90.2	200	14.9	1,30,68
		184T	<b>M3615T-8</b>	604	L1	16.55	74	85.5	200	15.2	1,68
7 1/2	3600	213T	<b>EM3769T-8</b>	1,346	L1	18.45	173	91	200	19.8	1,68
		213T	<b>EM3770T-8</b>	1,297	L1	18.45	170	91.7	200	21.4	1,68
		213T	<b>M3710T-8</b>	771	L1	17.89	113	89.5	200	23.2	1,68
10	3600	213T	<b>EM3771T-8</b>	1,579	L1	18.45	203	91.7	200	26.5	1,30,68
		215T	<b>EM3774T-8</b>	1,456	L1	18.45	231	92.4	200	28.4	1,30,68
		215T	<b>M3714T-8</b>	937	L1	19.01	127	89.5	200	31.3	2,20,68
15	3600	254T	<b>EM2394T-8</b>	2,174	L1	23.16	267	91.7	200	39.6	1,30,68
		254T	<b>EM2333T-8</b>	2,000	L1	23.16	238	92.4	200	42.4	1,30,68
		254T	<b>M2333T-8</b>	1,645	L1	21.07	222	89.5	200	42	1,68
20	3600	256T	<b>EM4106T-8</b>	2,387	L1	23.16	285	92.4	200	52.9	1,24,30,69
		256T	<b>EM2334T-8</b>	2,426	L1	23.16	286	93	200	55.2	1,24,30,69
		256T	<b>M2334T-8</b>	1,985	L1	23.28	261	91	200	55	1,24,69
25	3600	284TS	<b>EM4107T-8</b>	3,114	L1	25.24	382	93	200	63	1,24,69
		284T	<b>EM4103T-8</b>	3,172	L1	27.76	407	93.6	200	68.4	1,24,69
		284T	<b>M4103T-8</b>	2,455	L1	26.08	361	92.4	200	67	1,24,69
30	3600	286TS	<b>EM4108T-8</b>	3,701	L1	25.24	407	93	200	75	1,24,69
		286T	<b>EM4104T-8</b>	3,764	L1	27.76	426	94.1	200	84	1,24,69
		286T	<b>M4104T-8</b>	2,900	L1	26.08	386	92.4	200	83	1,24,69
40	1800	324T	<b>EM4110T-8</b>	4,923	L1	30.28	604	94.5	200	106	1,24,69
		324T	<b>M4110T-8</b>	3,847	L1	30.39	522	93	200	108	1,24,69
50	1800	326T	<b>EM4115T-8</b>	5,380	L1	30.28	632	94.5	200	131	1,24,69
		326T	<b>M4115T-8</b>	3,983	L1	30.39	554	93	200	137	1,24,69
<b>C-Face, Foot Mounted</b>											
1/2	1800	56C	<b>CM3538-8</b>	402	K	11.35	23	74.3	200-208	1	
1	1800	56C	<b>CM3546-8</b>	402	K	12.00	29	73.7	200-208	1.9	

(a) See notes on inside back flap and pages 5-6.

■ Cast Iron Frame

Farm Duty Motors

Definite Purpose Motors

Unit Handling Motors

Brake Motors

200 & 575 Volt Motors

IEC Frame Motors

50 Hertz Motors

Inverter/Vector Motors & Controls

DC Motors and Controls

Soft Start & Dynamic Brakes

200 Volt,  
Three Phase,  
ODP, Foot Mounted

3/4 thru 100 Hp

NEMA 56 thru 404T

**Applications:** Pumps, fans, compressors, blowers, machine tools, conveyors and many other applications requiring 200 volt power.

**Features:** 1.15 Service Factor, positively locked drive end bearing on 254T and larger, ball bearings, dynamically balanced rotors. EM and EFM Super-E motors have NEMA Premium® efficiency and 3 year warranty.



Hp	RPM	NEMA Frame	Catalog Number	List Price	Mult. Sym.	"C" Dim.	Aprx. Wt. (lb)	Full Load Efficiency	Voltage	Full Load Amps	Notes (a)
<b>F1 Mounting</b>											
1	1800	143T	<b>EM3116T-8</b>	535	L1	11.12	36	85.5	200	3.2	1,68
		143T	<b>M3116T-8</b>	373	L1	11.32	30	78.5	200	3.9	68
1 1/2	1800	145T	<b>EM3154T-8</b>	559	L1	12.12	42	86.5	200	4.8	1,68
		145T	<b>M3154T-8</b>	439	L1	11.12	33	78.5	200	5.5	68
2	1800	143T	<b>M3157T-8</b>	446	L1	12.12	37	78.5	200	7.1	68
		145T	<b>EM3157T-8</b>	600	L1	13.00	47	86.5	200	6.1	1,68
3	3600	145T	<b>M3158T-8</b>	517	L1	12.13	40	80	200	9.1	68
	1800	182T	<b>EM3211T-8</b>	647	L1	15.00	68	89.5	200	9.3	1,68
		182T	<b>M3211T-8</b>	464	L1	14.00	54	82.5	200	9.4	1,68
5	3600	182T	<b>M3212T-8</b>	535	L1	14.00	56	80	200	14	68
	1800	184T	<b>EM3218T-8</b>	708	L1	15.00	72	89.5	200	15	1,68
		184T	<b>M3218T-8</b>	514	L1	15.00	69	82.5	200	16.1	1,68
7 1/2	3600	184T	<b>M3219T-8</b>	734	L1	15.00	69	84	200	21	1,68
	1800	213T	<b>EM3311T-8</b>	1,041	L1	16.32	116	91.7	200	22.4	1,68
		213T	<b>M3311T-8</b>	728	L1	17.00	94	88.5	200	23	68
10	3600	213T	<b>M3312T-8</b>	921	L1	16.32	85	82.5	200	28.8	68
	1800	215T	<b>EM3313T-8</b>	1,260	L1	17.45	148	91.7	200	29.5	1,68
		215T	<b>M3313T-8</b>	892	L1	16.32	104	89.5	200	30.8	68
15	3600	215T	<b>M3314T-8</b>	1,346	L1	16.32	109	85.5	200	41	1,68
	1800	254T	<b>EM2513T-8</b>	1,785	L1	21.69	234	93	200	40.7	1,68
		254T	<b>M2513T-8</b>	1,348	L1	20.00	160	89.5	200	44	1,68
20	3600	254T	<b>EM2514T-8</b>	2,074	L1	21.69	186	92.4	200	52.3	1,24,69
		256T	<b>M2514T-8</b>	1,722	L1	21.69	191	88.5	200	57	24,69
	1800	256T	<b>EM2515T-8</b>	2,241	L1	21.69	237	93	200	54.3	1,24,69
		256T	<b>M2515T-8</b>	1,736	L1	22.25	191	91.7	200	55	69
25	3600	256T	<b>EM2516T-8</b>	2,490	L1	21.69	242	93	200	63.2	1,24,69
		256T	<b>M2516T-8</b>	2,083	L1	21.69	201	88.5	200	68.5	24,69
	1800	284T	<b>EM2531T-8</b>	2,732	L1	23.81	313	94.1	200	69.5	1,24,69
		284T	<b>M2531T-8</b>	2,104	L1	23.44	297	88.5	200	74	24,69
30	3600	284TS	<b>M2534T-8</b>	2,205	L1	22.06	251	91	200	81	24,69
	1800	286T	<b>EM2535T-8</b>	2,988	L1	25.06	353	94.1	200	81	1,24,69
		286T	<b>M2535T-8</b>	2,460	L1	24.94	281	92.4	200	83	24,69
40	3600	286TS	<b>EM2538T-8</b>	3,785	L1	23.69	377	94.1	200	105	1,24,69
		286TS	<b>M2538T-8</b>	3,103	L1	23.56	290	91.7	200	104	24,69
	1800	324T	<b>EM2539T-8</b>	3,898	L1	26.69	488	94.5	200	107	1,24,69
		324T	<b>M2539T-8</b>	3,137	L1	26.19	341	90.2	200	113	24,69
50	3600	324TS	<b>M2542T-8</b>	3,216	L1	24.69	391	89.5	200	135	24,69
	1800	326T	<b>EM2543T-8</b>	4,301	L1	27.69	521	94.5	200	132	1,24,69
		326T	<b>M2543T-8</b>	3,682	L1	27.19	427	93	200	140	24,69
60	1800	364T	<b>EM2547T-8</b>	5,416	L1	30.69	615	95	200	160	1,24,69
75	1800	365T	<b>EM2551T-8</b>	6,647	L1	29.69	808	95	200	195	1,24,69
100	1800	404T	<b>EM2555T-8</b>	7,546	L1	36.97	1,114	95.4	200	263	1,24,69

(a) See notes on inside back flap and pages 5-6.

Custom TEFC motors available through 2,250 Hp; Open and WPII custom motors through 15,000 Hp. Contact your Baldor•Reliance Sales Representative.

■ Cast Iron Frame

Farm Duty Motors

Definite Purpose Motors

Unit Handling Motors

Brake Motors

200 & 575 Volt Motors

IEC Frame Motors

50 Hertz Motors

Inverter/Vector Motors & Controls

DC Motors and Controls

Soft Starters & Dynamic Brakes

200 Volt, Three Phase, ODP, Foot Mounted

Hp	RPM	NEMA Frame	Catalog Number	List Price	Mult. Sym.	"C" Dim.	Aprx. Wt. (lb)	Full Load Efficiency	Voltage	Full Load Amps	Notes (a)
<b>F2 Mounting</b>											
3/4	1800	56	<b>FM3112-8</b>	320	K	10.12	25	74	200	3.2	68
2	1800	145T	<b>EFM3157T-8</b>	600	L1	13.00	48	86.5	200	6.1	1,68
3	1800	182T	<b>EFM3211T-8</b>	647	L1	15.00	66	89.5	200	9.3	1,68
5	1800	184T	<b>EFM3218T-8</b>	708	L1	15.00	69	89.5	200	15	1,68
7 1/2	1800	213T	<b>EFM3311T-8</b>	1,041	L1	16.32	109	91.7	200	22.4	1,68
		213T	<b>FM3311T-8</b>	728	L1	17.00	97	88.5	200	23	68
10	1800	215T	<b>EFM3313T-8</b>	1,260	L1	17.45	145	91.7	200	29.5	1,68
		215T	<b>FM3313T-8</b>	892	L1	16.32	107	89.5	200	30.8	68
15	1800	254T	<b>EFM2513T-8</b>	1,785	L1	21.69	234	93	200	40.7	1,68
		254T	<b>FM2513T-8</b>	1,348	L1	20.00	162	89.5	200	44	1,68
20	1800	256T	<b>EFM2515T-8</b>	2,241	L1	21.69	237	93	200	54.3	1,24,69
		256T	<b>FM2515T-8</b>	1,736	L1	22.25	191	91.7	200	55	69
40	1800	324T	<b>FM2539T-8</b>	3,137	L1	26.19	329	90.2	200	113	24,69

(a) See notes on inside back flap and pages 5-6.

Custom TEFC motors available through 2,250 Hp; Open and WPII custom motors through 15,000 Hp. Contact your Baldor•Reliance Sales Representative.

■ Cast Iron Frame

Farm Duty Motors

Definite Purpose Motors

Unit Handling Motors

Brake Motors

200 & 575 Volt Motors

IEC Frame Motors

50 Hertz Motors

Inverter/Vector Motors & Controls

DC Motors and Controls

Soft Start & Dynamic Brakes

**575 Volt,  
Three Phase,  
TEFC, Foot Mounted**

**1/3 thru 150 Hp**

**NEMA 56 thru 445T**

**Applications:** Pumps, compressors, fans, conveyors, machine tools and other applications where 575 volt three phase power is available.

**Features:** Ball bearings. Mount in any position. Heavy-gauge steel and cast iron frames. EM Super-E® / XE motors have NEMA Premium® efficiency and 3 year warranty.



Hp	RPM	NEMA Frame	Catalog Number	List Price	Mult. Sym.	"C" Dim.	Aprx. Wt. (lb)	Full Load Efficiency	Voltage	Full Load Amps	Notes (a)
1/3	1800	56	M3534-5	286	LS	11.35	21	68	575	0.64	1
	3600	56	M3537-5	307	K	11.35	20	68	575	0.8	1
1/2	1800	56	M3538-5	327	LS	11.35	22	74	575	0.8	1
	1200	56	M3539-5	492	K	11.35	24	72	575	1	1
3/4	3600	56	M3541-5	339	K	11.35	21	74	575	0.96	1
	1800	56	M3542-5	349	LS	11.35	26	75.5	575	1.2	1
	1200	143T	M3543T-5	503	L1	13.41	34	77	575	1.2	1
1	3600	56	M3545-5	397	K	11.35	23	75.5	575	1.4	1
	1800	56	M3546-5	364	LS	12.23	28	75	575	1.4	
		143T	EM3546T-5	594	LS	13.31	38	86.5	575	1.1	1
		143T	M3546T-5	404	LS	12.31	32	82.5	575	1.2	1
	1200	145T	M3556T-5	553	L1	13.31	39	80	575	1.5	
1 1/2	3600	143T	M3550T-5	459	L1	12.31	37	82.5	575	1.6	1
	1800	145T	EM3554T-5	617	LS	13.31	42	86.5	575	1.6	1
		145T	M3554T-5	414	LS	13.31	39	84	575	1.7	
2	1200	182T	M3607T-5	638	L1	16.54	63	85.5	575	2	2,20
	3600	145T	M3555T-5	529	L1	13.31	43	84	575	2.1	
	1800	145T	EM3558T-5	640	LS	14.19	48	86.5	575	2.2	1
145T		M3558T-5	435	LS	13.31	45	84	575	2.2		
3	1800	184T	M3614T-5	686	L1	16.54	74	86.5	575	2.8	
		145T	M3559T-5	606	L1	14.19	51	85.5	575	3	1
		182T	EM3611T-5	707	LS	16.55	69	89.5	575	3.1	1
		182T	EM3661T-5	948	L1	15.24	90	89.5	575	3.2	1
		182T	M3611T-5	512	LS	16.52	68	87.5	575	3.4	1
	182T	M3661T-5	820	LS	15.24	90	87.5	575	3.3	1	
	182T	P18G4920	820	LS	15.62	105	87.5	575	3.12		
1200	213T	M3704T-5	864	L1	17.89	108	87.5	575	4.1	1	
5	3600	184T	M3613T-5	742	L1	16.54	71	87.5	575	4.8	1
		184T	P18G4503	742	L1	15.62	109	87.5	575	4.88	
	1800	184T	EM3615T-5	774	LS	18.05	91	90.2	575	5.2	1
		184T	EM3665T-5	949	L1	15.24	109	90.2	575	5.2	1
		L184T	P18G3824	949	L1	17.12	131	89.5	575	5.28	
		184T	M3615T-5	589	LS	16.54	75	87.5	575	5.7	1
		184T	P18G4921	596	LS	15.62	109	87.5	575	5.2	
		184T	M3665T-5	837	L1	15.24	102	87.5	575	5.2	1
		184T	P18G4553	837	L1	15.62	114	87.5	575	5.2	
		1200	215T	M3708T-5	1,047	L1	17.89	119	87.5	575	6

(a) See notes on inside back flap and pages 5-6.

Custom TEFC motors available through 2,250 Hp; Open and WPIL custom motors through 15,000 Hp. Contact your Baldor•Reliance Sales Representative.

**MEETS NRC CANADIAN STANDARDS FOR EFFICIENCY.**

➡ = Functional Equivalent

■ Cast Iron Frame

Farm Duty Motors

Definite Purpose Motors

Unit Handling Motors

Brake Motors

200 & 575 Volt Motors

IEC Frame Motors

50 Hertz Motors

Inverter/Vector Motors & Controls

DC Motors and Controls

Soft Starters & Dynamic Brakes

575 Volt, Three Phase, TEFC, Foot Mounted

Hp	RPM	NEMA Frame	Catalog Number	List Price	Mult. Sym.	"C" Dim.	Aprx. Wt. (lb)	Full Load Efficiency	Voltage	Full Load Amps	Notes (a)
7 1/2	3600	213T	M3709T-5	1,093	L1	18.56	89	88.5	575	7	1
		213T	EM3710T-5	1,116	LS	19.02	143	91.7	575	8.2	1
	1800	213T	EM3770T-5	1,266	L1	18.45	178	91.7	575	8	1
		213T	M3710T-5	751	LS	17.89	126	89.5	575	8.2	1
		213T	M3770T-5	1,117	L1	18.45	170	89.5	575	8.2	1
		213T	↔P21G4552	1,117	L1	19.25	152	89.5	575	7.6	1
10	3600	215T	M3711T-5	1,144	L1	17.89	123	89.5	575	9.2	1
		215T	EM3714T-5	1,260	LS	19.77	153	91.7	575	10.1	1
	1800	215T	EM3774T-5	1,420	L1	18.45	201	91.7	575	10.1	1
		215T	M3714T-5	915	LS	19.01	138	89.5	575	11.4	1
		215T	M3774T-5	1,202	L1	18.45	187	89.5	575	11.4	1
		215T	↔P21G4553	1,202	L1	19.25	163	89.5	575	9.76	1
15	3600	215T	P21G4920	1,117	L1	17.94	149	89.5	575	7.6	1
		215T	M3711T-5	1,144	L1	17.89	123	89.5	575	9.2	1
	1800	215T	EM3714T-5	1,260	LS	19.77	153	91.7	575	10.1	1
		215T	EM3774T-5	1,420	L1	18.45	201	91.7	575	10.1	1
		215T	M3714T-5	915	LS	19.01	138	89.5	575	11.4	1
		215T	M3774T-5	1,202	L1	18.45	187	89.5	575	11.4	1
20	3600	215T	↔P21G4552	1,117	L1	19.25	152	89.5	575	7.6	1
		215T	P21G4920	1,117	L1	17.94	149	89.5	575	7.6	1
	1800	215T	M3711T-5	1,144	L1	17.89	123	89.5	575	9.2	1
		215T	EM3714T-5	1,260	LS	19.77	153	91.7	575	10.1	1
		215T	EM3774T-5	1,420	L1	18.45	201	91.7	575	10.1	1
		215T	M3714T-5	915	LS	19.01	138	89.5	575	11.4	1
25	3600	215T	M3774T-5	1,202	L1	18.45	187	89.5	575	11.4	1
		215T	↔P21G4553	1,202	L1	19.25	163	89.5	575	9.76	1
	1800	215T	P21G4921	1,202	L1	19.25	161	89.5	575	9.76	1
		215T	M3713T-5	1,452	L1	19.76	167	90.2	575	13.5	1
		254T	EM2394T-5	2,122	L1	23.16	268	91.7	575	13.8	1
		254T	↔P25G413	2,122	L1	24.56	327	91.7	575	13.4	1
30	3600	254T	P25G4504	1,445	L1	24.56	271	90.2	575	14	1
		254T	P25G4924	1,445	L1	24.56	273	90.2	575	14	1
	1800	254T	EM2333T-5	1,942	LS	23.16	235	92.4	575	14.8	1
		254T	↔P25G3363	1,942	LS	24.56	330	92.4	575	14.4	1
		254T	M2333T-5	1,605	LS	21.07	242	91	575	15.3	1
		254T	↔P25G4552	1,605	LS	24.56	276	91	575	15.6	1
40	3600	254T	P25G4922	1,605	LS	24.56	276	91	575	15.6	1
		256T	EM4106T-5	2,329	L1	23.16	258	92.4	575	18.4	1
	1800	256T	↔P25G414	2,329	L1	24.56	315	91.7	575	17.8	1
		256T	M4106T-5	1,987	L1	22.83	236	90.2	575	18.5	1
		256T	↔P25G4925	1,987	L1	25.10	275	90.2	575	19	1
		256T	EM2334T-5	2,355	LS	24.56	303	93	575	19.2	1
50	3600	256T	↔P25G3364	2,355	LS	24.56	324	93	575	19.2	1
		256T	M2334T-5	1,939	LS	22.83	265	91	575	20	1
	1800	256T	↔P25G4923	1,939	LS	25.10	315	91	575	20.3	1
		284TS	EM4107T-5	3,039	L1	24.70	398	93	575	22	1
		284TS	↔P28G403	3,039	L1	26.06	427	93	575	22.4	1
		284TS	M4107T-5	2,528	L1	24.70	361	91	575	22.5	1
60	3600	284TS	↔P28G4922	2,528	L1	26.06	420	91	575	37.6	1
		284T	EM4103T-5	3,080	LS	27.76	746	93.6	575	23.7	1
	1800	284T	↔P28G3371	3,080	LS	27.44	428	93	575	23.7	1
		284T	M4103T-5	2,398	LS	26.08	472	92.4	575	23.2	1
		284T	↔P28G4552	2,398	LS	27.44	420	92.4	575	24.8	1
		284T	P28G4920	2,398	LS	27.44	386	92.4	575	24.8	1
75	3600	286TS	EM4108T-5	3,611	L1	24.70	418	93	575	26.2	1
		286TS	↔P28G404	3,611	L1	26.08	443	93	575	27.1	1
	1800	286TS	M4108T-5	2,742	L1	24.70	382	91	575	27.4	1
		286T	EM4104T-5	3,654	LS	27.76	451	94.1	575	29	1
		286T	M4104T-5	2,833	LS	26.08	427	92.4	575	28.6	1
		286T	↔P28G4921	2,833	LS	27.44	417	92.4	575	29.6	1
100	3600	324TS	EM4109T-5	4,950	L1	28.78	549	93.6	575	36	1
		324TS	↔P32G403	4,950	L1	28.94	613	94.1	575	35.4	1
	1800	324TS	M4109T-5	3,920	L1	28.89	486	91.7	575	36	1
		324T	↔P32G4502	3,920	L1	26.32	564	91.7	575	37.6	1
		324T	EM4110T-5	4,778	LS	30.88	600	94.1	575	38.1	1
		324T	↔P32G3381	4,778	LS	30.44	575	94.1	575	38.1	1
1800	324T	M4110T-5	3,757	LS	30.39	475	93	575	38	1	
	324T	↔P32G4552	3,757	LS	30.44	570	93	575	39.6	1	

(a) See notes on inside back flap and pages 5-6.

Custom TEFC motors available through 2,250 Hp; Open and WPIL custom motors through 15,000 Hp. Contact your Baldor•Reliance Sales Representative.

MEETS NRC CANADIAN STANDARDS FOR EFFICIENCY.

↔ = Functional Equivalent

■ Cast Iron Frame

575 Volt, Three Phase, TEFC, Foot Mounted

Hp	RPM	NEMA Frame	Catalog Number	List Price	Mult. Sym.	"C" Dim.	Aprx. Wt. (lb)	Full Load Efficiency	Voltage	Full Load Amps	Notes (a)
50	3600	326TS	EM4114T-5	5,415	L1	28.90	578	94.1	575	43.6	1
		326TS	↪P32G404	5,415	L1	28.94	627	94.1	575	44.4	
		326TS	M4114T-5	3,985	L1	28.89	585	92.4	575	45	1
		326TS	↪P32G4505	3,985	L1	27.82	613	92.4	575	46.4	
	1800	326T	EM4115T-5	5,222	LS	30.28	560	94.5	575	46.7	
		326T	↪P32G3382	5,280	L1	30.44	668	94.5	575	47	
		326T	M4115T-5	3,891	LS	30.39	578	93	575	48	1
		326T	↪P32G4553	3,934	LS	31.32	612	93	575	46.5	
60	1800	364T	EM4314T-5	7,514	LS	32.84	808	95	575	54.4	
		364T	↪P36G3336	7,514	LS	33.44	889	95	575	54.4	
		364T	M4314T-5	5,959	LS	32.84	770	93.6	575	57	1
		364T	↪P36G4554	5,959	LS	33.44	796	93.6	575	58.7	
75	1800	365T	EM4316T-5	8,786	LS	32.84	889	95.4	575	68.7	
		365T	↪P36G3337	8,786	LS	33.44	919	95.4	575	68.7	
		365T	M4316T-5	7,345	LS	33.02	809	94.1	575	68	1
		365T	↪P36G4555	7,345	LS	33.44	840	94.1	575	69.6	
100	1800	405T	EM4400T-5	10,911	LS	38.06	1,239	95.4	575	89.6	
		405T	↪P40G491	10,911	LS	38.31	1,201	95.4	575	89.6	
		405T	M4400T-5	9,122	LS	37.22	1,016	94.5	575	90	1
		405T	↪P40G4552	9,122	LS	38.31	1,136	94.5	575	92.8	
125	1800	444T	EM4410T-5	13,508	LS	44.24	1,466	95.8	575	111	
		444T	↪P44G748	13,508	LS	44.62	1,652	95.8	575	111	
		444T	M4410T-5	12,306	LS	44.24	1,618	94.5	575	113	1
		444T	↪P44G4554	12,306	LS	44.62	1,532	94.5	575	112	
150	1800	445T	EM4406T-5	17,196	LS	44.24	1,672	96.2	575	141	
		445T	↪P44G749	17,196	LS	44.62	1,860	96.2	575	134	
		445T	M4406T-5	14,416	LS	44.24	1,421	95	575	135	1
		445T	↪P44G4555	14,416	LS	44.62	1,730	95	575	136	

(a) See notes on inside back flap and pages 5-6.

Custom TEFC motors available through 2,250 Hp; Open and WPII custom motors through 15,000 Hp. Contact your Baldor•Reliance Sales Representative.

**MEETS NRC CANADIAN STANDARDS FOR EFFICIENCY.**

↪ = Functional Equivalent

■ Cast Iron Frame

Farm Duty Motors

Definite Purpose Motors

Unit Handling Motors

Brake Motors

200 & 575 Volt Motors

IEC Frame Motors

50 Hertz Motors

Inverter/Vector Motors & Controls

DC Motors and Controls

Soft Starters & Dynamic Brakes



**575 Volt,  
Three Phase,  
TEFC, C-Face**

1/3 thru 30 Hp

NEMA 56C thru 286TC

**Applications:** Pumps, fans, compressors, blowers, machine tools, conveyors and many applications requiring 575 volt power.

**Features:** 1.15 Service Factor. Positively locked drive end ball bearing, dynamically balanced rotors. CEM Super-E® / XE motors have NEMA Premium® efficiency and 3 year warranty.



Farm Duty Motors

Definite Purpose Motors

Unit Handling Motors

Brake Motors

200 & 575 Volt Motors

IEC Frame Motors

50 Hertz Motors

Inverter/Vector Motors & Controls

DC Motors and Controls

Soft Start & Dynamic Brakes

Hp	RPM	NEMA Frame	Catalog Number	List Price	Mult. Sym.	"C" Dim.	Aprx. Wt. (lb)	Full Load Efficiency	Voltage	Full Load Amps	Notes (a)	
<b>C-Face, Foot Mounted</b>												
1/3	1800	56C	CM3534-5	317	LS	11.35	21	68	575	0.64		
1/2	1800	56C	CM3538-5	350	LS	11.35	24	74	575	0.8		
3/4	1800	56C	CM3542-5	372	LS	11.35	27	75.5	575	1.2		
1	1800	56C	CM3546-5	400	K	11.97	28	78.5	575	1.3		
		143TC	CEM3581T-5	818	L1	13.03	56	86.5	575	1.1	1	
		143TC	CM3546T-5	434	LS	13.29	34	82.5	575	1.2		
1 1/2	3600	143TC	CEM3583T-5	903	L1	13.03	57	85.5	575	1.6	1	
		1800	56C	CM3554-5	435	K	12.23	32	78.5	575	2	
			145TC	CEM3584T-5	846	L1	13.03	61	86.5	575	1.6	1
2	3600	145TC	CM3554T-5	444	LS	13.29	40	84	575	1.7		
		145TC	CEM3586T-5	905	L1	13.03	63	86.5	575	2	1	
		1800	56C	CM3558-5	467	K	13.23	42	82.5	575	2.5	
			145TC	CEM3587T-5	885	L1	13.03	65	86.5	575	2.2	1
			145TC	CM3558T-5	465	LS	13.29	42	84	575	2.2	
3	3600	145TC	CM3559T-5	636	L1	14.17	52	85.5	575	3	1	
		182TC	CEM3660T-5	1,006	L1	16.00	95	88.5	575	2.7	1	
		182TC	CM3610T-5	704	L1	15.18	57	85.5	575	3	1	
	1800	182TC	CEM3661T-5	1,032	L1	16.00	97	89.5	575	3.2	1	
		182TC	CM3611T-5	587	LS	16.56	69	87.5	575	3.4	1	
		182TC	P18G3846	594	LS	16.38	115	88	575	3		
5	3600	184TC	CEM3663T-5	1,220	L1	16.00	104	89.5	575	4.6	1	
		184TC	CM3613T-5	800	L1	16.55	74	87.5	575	4.8	1	
	1800	184TC	CEM3665T-5	1,033	L1	16.00	115	90.2	575	5.2	1	
		184TC	CM3615T-5	666	LS	16.55	79	87.5	575	5.7	1	
		184TC	P18G3847	666	LS	16.38	127	88	575	5		
7 1/2	3600	213TC	CEM3769T-5	1,481	L1	19.20	191	91	575	6.9	1	
		213TC	CEM3770T-5	1,433	L1	19.20	178	91.7	575	8	1	
		213TC	CM3710T-5	865	LS	18.63	126	89.5	575	8.2	1	
10	3600	215TC	CEM3771T-5	1,708	L1	19.20	181	91.7	575	9	1	
		215TC	CM3711T-5	1,258	L1	18.63	126	89.5	575	9.2	1	
	1800	215TC	CEM3774T-5	1,588	L1	19.20	201	91.7	575	10.1	1	
		215TC	CM3714T-5	1,027	LS	19.76	139	89.5	575	11.4	1	
15	3600	215TC	CM3713T-5	1,565	L1	21.25	158	90.2	575	13.5	1	
		254TC	CEM2333T-5	2,457	L1	23.78	238	92.4	575	14.8	1	
	1800	254TC	CM2333T-5	2,090	LS	21.57	236	91	575	15.5	1	
		254TC	↪P25G1122	2,090	LS	25.06	277	91	575	16		
20	1800	256TC	CEM2334T-5	2,871	L1	23.78	286	93	575	19	1	
		256TC	CM2334T-5	2,437	L1	23.32	257	91	575	20	1	
		256TC	↪P25G1123	2,437	L1	25.06	299	91	575	20		
25	1800	284TC	CEM4103T-5	3,797	L1	27.76	390	93.6	575	23.9	1	
30	1800	286TC	CM4104T-5	3,525	L1	27.76	384	92.4	575	29.6	1	

(a) See notes on inside back flap and pages 5-6.

**CUSTOM 575 VOLT MOTORS AVAILABLE THROUGH 1000 HP. CONTACT YOUR LOCAL BALDOR•RELIANCE SALES REPRESENTATIVE. MEETS NRC CANADIAN STANDARDS FOR EFFICIENCY.**

↪ = Functional Equivalent

■ Cast Iron Frame

**575 Volt, Three Phase, TEFC, C-Face**

Hp	RPM	NEMA Frame	Catalog Number	List Price	Mult. Sym.	"C" Dim.	Aprx. Wt. (lb)	Full Load Efficiency	Voltage	Full Load Amps	Notes (a)
<b>C-Face, Footless</b>											
1/3	1800	56C	VM3534-5	299	LS	11.35	20	68	575	0.64	
1/2	3600	56C	VM3537-5	324	K	11.35	19	68	575	0.8	
	1800	56C	VM3538-5	343	LS	11.35	22	74	575	1	
3/4	3600	56C	VM3541-5	355	K	11.35	21	74	575	0.96	
	1800	56C	VM3542-5	365	LS	11.35	25	75.5	575	1.2	
1	3600	56C	VM3545-5	415	K	11.35	24	75.5	575	1.4	
	1800	56C	VM3546-5	381	LS	12.23	30	75	575	1.4	
		143TC	VEM3581T-5	814	L1	13.03	55	86.5	575	1.1	1
		143TC	VM3546T-5	429	LS	12.31	31	82.5	575	1.1	
1 1/2	3600	56C	VM3550-5	451	K	11.97	29	80	575	1.8	
		143TC	VM3550T-5	485	L1	12.04	30	80	575	1.8	
	1800	56C	VM3554-5	428	LS	12.23	34	78.5	575	2	
		145TC	VEM3584T-5	816	L1	13.03	59	86.5	575	1.6	1
		145TC	VM3554T-5	437	LS	13.31	40	84	575	1.7	
2	3600	56C	VM3555-5	503	K	12.85	32	80	575	2.2	
		56C	VM3558-5	459	LS	13.23	41	82.5	575	2.5	
	1800	145TC	VEM3587T-5	879	L1	13.03	62	86.5	575	2.2	1
		145TC	VM3558T-5	459	LS	13.31	45	84	575	2.2	
3	3600	56C	VM3559-5	583	K	13.23	45	82.5	575	3	1
		182TC	VM3610T-5	691	L1	15.18	56	85.5	575	3	1
	1800	182TC	VEM3661T-5	1,018	L1	16.00	94	89.5	575	3.2	1
		182TC	➡P18G3884	1,018	L1	17.12	113	87.5	575	3.12	
5	1800	182TC	VM3611T-5	554	LS	16.55	65	87.5	575	3.4	1
		184TC	VM3613T-5	787	L1	16.55	72	87.5	575	4.8	1
		184TC	VEM3665T-5	1,020	L1	16.00	110	90.2	575	5.2	1
		184TC	➡P18G3885	1,020	L1	17.12	123	87.5	575	5.2	
	3600	184TC	VM3615T-5	634	LS	18.05	85	87.5	575	5.2	1
7 1/2	3600	213TC	VM3709T-5	1,190	L1	19.28	87	88.5	575	7	1
		213TC	VEM3770T-5	1,414	L1	19.25	164	91.7	575	8	1
	1800	213TC	➡P21G3884	1,414	L1	20.12	167	89.5	575	7.6	
		213TC	VM3710T-5	846	LS	18.63	121	89.5	575	8.2	1
10	3600	215TC	VM3711T-5	1,238	L1	18.63	123	89.5	575	9.2	1
		215TC	VEM3774T-5	1,569	L1	19.25	197	89.5	575	9.76	
	1800	215TC	➡P21G3885	1,569	L1	20.12	177	89.5	575	9.76	
		215TC	VM3714T-5	1,008	LS	19.76	137	89.5	575	11.4	1
15	3600	215TC	VM3713T-5	1,546	L1	20.51	165	90.2	575	13.5	1
	1800	254TC	VM2333T-5	1,961	LS	23.66	266	91	575	14.5	1
20	1800	256TC	VM2334T-5	2,296	LS	23.66	275	91	575	19.3	1

(a) See notes on inside back flap and pages 5-6.

**CUSTOM 575 VOLT MOTORS AVAILABLE THROUGH 1000 HP. CONTACT YOUR LOCAL BALDOR•RELIANCE SALES REPRESENTATIVE. MEETS NRC CANADIAN STANDARDS FOR EFFICIENCY.**

- ➡ = Functional Equivalent
- Cast Iron Frame

Farm Duty Motors

Definite Purpose Motors

Unit Handling Motors

Brake Motors

200 & 575 Volt Motors

IEC Frame Motors

50 Hertz Motors

Inverter/Vector Motors & Controls

DC Motors and Controls

Soft Starters & Dynamic Brakes

**Premium Efficient,  
Severe Duty,  
575 Volt,  
Three Phase, TEFC**

**1 thru 200 Hp**

**NEMA 143T thru 447T**

**Applications:** Petro-chemical plants, mines, foundries, pulp and paper plants, waste management facilities, chemical plants, tropical climates and other processing industry applications requiring protection against corrosion caused by severe environmental operating conditions.

**Features:** 1.15 Service Factor, corrosion resistant epoxy finish, regreasable ball or roller bearings, oversized rotatable cast iron conduit box, cast iron frames, V-Ring shaft seal, moisture resistant copper windings, Class F insulation, tropicalization, stainless steel nameplate and corrosion resistant hardware. ECP/XEX Super-E® motors have NEMA Premium® efficiency and 3 year warranty.



Hp	RPM	NEMA Frame	Catalog Number	List Price	Mult. Sym.	"C" Dim.	Aprx. Wt. (lb)	Full Load Efficiency	Voltage	Full Load Amps	Notes (a)
1	1800	143T	ECP3581T-5	878	SD	12.88	60	86.5	575	1.1	1
1 1/2	1800	145T	ECP3584T-5	895	SD	12.88	65	86.5	575	1.6	1
2	1800	145T	ECP3587T-5	934	SD	12.88	68	86.5	575	2.2	1
3	1800	L182T	ECP3661T-5	1,182	SD	15.93	103	89.5	575	3.2	1
	1200	213T	ECP3764T-5	1,660	SD	19.32	186	89.5	575	4	1
5	1800	L184T	ECP3665T-5	1,203	SD	15.93	121	89.5	575	5.2	1
	1200	L215T	ECP3768T-5	1,682	SD	19.32	205	89.5	575	6.4	1
7 1/2	1800	213T	ECP3770T-5	1,515	SD	19.32	178	91.7	575	8	1
	1200	254T	ECP2276T-5	2,407	SD	24.69	267	91.7	575	8.7	1
10	1800	L215T	ECP3774T-5	1,814	SD	19.32	215	91.7	575	9.52	1
	1200	256T	ECP2332T-5	3,127	SD	24.69	286	91.7	575	11.5	1
15	1800	254T	ECP2333T-5	2,311	SD	24.69	255	92.4	575	14.4	1
	1200	284T	ECP4100T-5	3,585	SD	27.93	425	92.4	575	14.9	1
20	1800	256T	ECP2334T-5	2,479	SD	24.69	303	93	575	19.2	1
	1200	286T	ECP4102T-5	4,871	SD	27.93	452	93	575	20.6	1
25	1800	284T	ECP4103T-5	3,244	SD	27.93	427	93.6	575	23.9	1
	1200	324T	ECP4111T-5	5,090	SD	30.16	556	93	575	25.3	1
30	1800	286T	ECP4104T-5	3,852	SD	27.93	471	94.1	575	29	1
40	1800	324T	ECP4110T-5	5,040	SD	30.16	578	94.5	575	36.8	1
50	1800	326T	ECP4115T-5	5,916	SD	30.16	640	94.5	575	45.6	1
60	1800	364T	ECP4314T-5	7,929	SD	32.84	821	95	575	55	1
75	1800	365T	ECP4316T-5	9,265	SD	32.84	912	95.4	575	69.2	1
100	1800	405T	ECP4400T-5	12,162	SD	38.03	1,178	95.4	575	87	1
125	1800	444T	ECP4410T-5	14,378	SD	45.29	1,675	95.4	575	111.5	1
150	1800	445T	ECP4406T-5	16,844	SD	45.29	1,823	96.2	575	132	1
200	1800	447T	ECP4407T-5	20,263	SD	48.87	2,345	96.2	575	179	1

(a) See notes on inside back flap and pages 5-6.

**MEETS NRC CANADIAN STANDARDS FOR EFFICIENCY.**

■ Cast Iron Frame

Farm Duty Motors

Definite Purpose Motors

Unit Handling Motors

Brake Motors

200 & 575 Volt Motors

IEC Frame Motors

50 Hertz Motors

Inverter/Vector Motors & Controls

DC Motors and Controls

Soft Start & Dynamic Brakes

**IEEE 841,  
575 Volts,  
Three Phase,  
Totally Enclosed,  
Foot Mounted**

**1 thru 250 Hp**

**NEMA 143T thru 449T**

**Applications:** Petro-chemical, pulp and paper, cement, aggregate mining and other process industries requiring premium efficient motors designed, manufactured and tested to exceed IEEE 841-2001 TEFC motor standards for extreme severe duty service.

**Features:** Built to 841XL design. Upgraded electrical and mechanical design with NEMA Premium® efficient winding. Inpro/Seal® VBX (thru 210 frame) and VBXX bearing isolators on fan and drive end shaft extensions and epoxy paint provides IP56 enclosure. Oversized bearings on both ends of motor with positive lubrication system. Stainless breather drains. Proprietary cast iron frames for reduced vibration and noise. Terminal lugs on motor leads. Final test and vibration results shipped with motor. Enhanced motor nameplate data. Complies with DuPont, Weyerhaeuser and many other corporate specifications. 5-year warranty.



Hp	RPM	NEMA Frame	Enclosure	Catalog Number	List Price	Mult. Sym.	"C" Dim.	Aprx. Wt. (lb)	Full Load Efficiency	Voltage	Full Load Amps	Notes (a)
<b>Foot Mounted</b>												
1	3600	143T	TEFC	ECP83580T-5	877	SD	12.88	35	84	575	1.1	1
	1800	143T	TEFC	ECP83581T-5	963	SD	12.88	61	85.5	575	1.1	1
	1200	145T	TEFC	ECP83582T-5	1,033	SD	12.88	42	82.5	575	1.4	1
1 1/2	3600	143T	TEFC	ECP83583T-5	942	SD	12.88	68	85.5	575	1.6	1
	1800	145T	TEFC	ECP83584T-5	981	SD	12.88	48	86.5	575	1.6	1
	1200	182T	TEFC	ECP83667T-5	1,190	SD	15.62	137	87.6	575	1.9	1
2	3600	145T	TEFC	ECP83586T-5	977	SD	12.88	78	86.5	575	1.9	1
	1800	145T	TEFC	ECP83587T-5	1,025	SD	12.88	70	86.5	575	2.2	1
	1200	L184T	TEFC	ECP83664T-5	1,103	SD	17.12	143	88.5	575	2.4	1
3	3600	182T	TEFC	ECP83660T-5	1,233	SD	15.62	117	88.5	575	2.88	1
	1800	182T	TEFC	ECP83661T-5	1,297	SD	15.62	137	89.5	575	3.36	1
	1200	213T	TEFC	ECP83764T-5	1,804	SD	19.31	183	89.5	575	3.4	1
5	3600	184T	TEFC	ECP83663T-5	1,519	SD	15.62	124	88.5	575	4.8	1
	1800	L184T	TEFC	ECP83665T-5	1,322	SD	17.12	138	89.5	575	5.28	1
	1200	L215T	TEFC	ECP83768T-5	1,865	SD	20.19	203	89.5	575	5.44	1
7 1/2	3600	213T	TEFC	ECP83769T-5	1,984	SD	19.31	182	90.2	575	6.88	1
	1800	213T	TEFC	ECP83770T-5	1,666	SD	19.31	202	91.7	575	7.2	1
	1200	254T	TEFC	ECP82276T-5	2,822	SD	24.56	351	91	575	7.9	1
10	3600	215T	TEFC	ECP83771T-5	2,112	SD	19.31	191	91	575	8.88	1
	1800	L215T	TEFC	ECP83774T-5	1,972	SD	20.19	211	91.7	575	9.84	1
	1200	256T	TEFC	ECP82332T-5	3,435	SD	24.56	345	91	575	10	1
15	3600	254T	TEFC	ECP82394T-5	2,749	SD	24.56	350	92.4	575	13.4	1
	1800	254T	TEFC	ECP82333T-5	2,539	SD	24.56	323	92.4	575	14.4	1
	1200	284T	TEFC	ECP84100T-5	3,969	SD	27.44	445	92.4	575	14.9	1
20	3600	286TS	TEFC	ECP84106T-5	3,151	SD	24.56	348	91.7	575	17.8	1
	1800	256T	TEFC	ECP82334T-5	2,745	SD	24.56	345	93	575	19.2	1
	1200	286T	TEFC	ECP84102T-5	5,348	SD	27.86	470	92.5	575	19.8	1
25	3600	284TS	TEFC	ECP84107T-5	3,853	SD	26.06	455	93	575	22.4	1
	1800	284T	TEFC	ECP84103T-5	3,561	SD	27.44	455	93.6	575	23.7	1
	1200	324T	TEFC	ECP84111T-5	5,637	SD	30.44	650	93	575	24.7	1
30	3600	286TS	TEFC	ECP84108T-5	4,615	SD	26.06	454	93	575	27.1	1
	1800	286T	TEFC	ECP84104T-5	4,193	SD	27.44	458	93.6	575	28.8	1
	1200	326T	TEFC	ECP84117T-5	7,335	SD	30.44	698	93.6	575	29.1	1
40	3600	324TS	TEFC	ECP84109T-5	6,315	SD	28.94	653	94.1	575	40	1
	1800	324T	TEFC	ECP84110T-5	5,583	SD	30.44	661	94.1	575	38.1	1

(a) See notes on inside back flap and pages 5-6.

**MEETS NRC CANADIAN STANDARDS FOR EFFICIENCY.**

■ Cast Iron Frame

Farm Duty Motors

Definite Purpose Motors

Unit Handling Motors

Brake Motors

200 & 575 Volt Motors

IEC Frame Motors

50 Hertz Motors

Inverter/Vector Motors & Controls

DC Motors and Controls

Soft Starters & Dynamic Brakes

IEEE 841, 575 Volts, Three Phase, Totally Enclosed, Foot Mounted

Hp	RPM	NEMA Frame	Enclosure	Catalog Number	List Price	Mult. Sym.	"C" Dim.	Aprx. Wt. (lb)	Full Load Efficiency	Voltage	Full Load Amps	Notes (a)
<b>Foot Mounted (continued)</b>												
40	1200	364T	TEFC	ECP84308T-5	8,980	SD	33.44	865	94.2	575	39.5	1
50	3600	326TS	TEFC	ECP84114T-5	6,587	SD	28.94	675	94.1	575	44.4	1
	1800	326T	TEFC	ECP84115T-5	6,556	SD	30.44	714	94.5	575	46.7	1
	1200	365T	TEFC	ECP84312T-5	9,564	SD	33.44	890	94.2	575	49.3	1
60	3600	364TS	TEFC	ECP84310T-5	9,735	SD	31.31	890	95	575	52	1
	1800	364T	TEFC	ECP84314T-5	8,705	SD	33.44	871	95	575	54.4	1
	1200	404T	TEFC	ECP84403T-5	12,397	SD	38.31	1,220	95	575	55.2	1
75	3600	365TS	TEFC	ECP84313T-5	10,783	SD	31.31	978	95	575	64.5	1
	1800	365T	TEFC	ECP84316T-5	10,124	SD	33.44	953	95.4	575	68.8	1
	1200	405T	TEFC	ECP84404T-5	15,016	SD	38.31	1,260	95	575	69.5	1
100	3600	405TS	TEFC	ECP84402T-5	12,922	SD	35.31	1,302	95	575	88	1
	1800	405T	TEFC	ECP84400T-5	13,513	SD	38.31	1,330	95.4	575	89.6	1
	1200	444T	TEFC	ECP84409T-5	16,517	SD	44.62	1,670	95	575	92	1
125	3600	444TS	TEFC	ECP84412T-5	15,112	SD	40.88	1,717	95.4	575	109	1
	1800	444T	TEFC	ECP84410T-5	15,329	SD	44.62	1,784	95.8	575	111	1
	1200	445T	TEFC	ECP84411T-5	18,748	SD	44.62	1,860	95.4	575	114	1
150	3600	445TS	TEFC	ECP84413T-5	17,367	SD	40.88	1,947	96.2	575	131	1
	1800	445T	TEFC	ECP84406T-5	18,128	SD	44.62	1,933	96.2	575	132	1
	1200	447T	TEFC	ECP844156TR-5	20,838	SD	48.13	2,300	96.2	575	139	1,5
200	3600	445TS	TEFC	ECP84416T-5	22,959	SD	40.88	1,991	96.2	575	177	1
	1800	447T	TEFC	ECP84407T-5	21,810	SD	48.40	2,390	96.2	575	176	1
		447T	TEFC	ECP84407TR-5	21,810	SD	48.13	2,453	96.2	575	176	1,5
250	1200	449T	TEFC	ECP844206TR-5	27,684	SD	53.13	2,590	96.2	575	178	1,5
	3600	449TS	TEFC	ECP844252T-5	36,992	SD	49.37	2,712	96.2	575	213	1
	1800	449T	TEFC	ECP84408TR-5	27,841	SD	53.13	2,727	96.2	575	217	1,5
449T		TEFC	ECP84408T-5	27,841	SD	52.68	2,723	96.2	575	217	1	
<b>C-Face, Foot Mounted</b>												
2	1800	145TC	TEFC	CECP83587T-5	1,062	SD	12.88	70	86.5	575	2.2	1
3	1800	182TC	TEFC	CECP83661T-5	1,384	SD	16.38	144	89.5	575	3.04	1
5	1800	L184TC	TEFC	CECP83665T-5	1,391	SD	17.88	128	89.5	575	5.28	1
7 1/2	1800	213TC	TEFC	CECP83770T-5	1,763	SD	20.06	178	91.7	575	7.52	1
10	1800	L215TC	TEFC	CECP83774T-5	2,131	SD	20.94	212	91.7	575	9.52	1
15	1800	254TC	TEFC	CECP82333T-5	2,918	SD	25.06	331	92.4	575	14.4	1
20	1800	256TC	TEFC	CECP82334T-5	3,087	SD	25.06	344	93	575	19.2	1
25	1800	284TC	TEFC	CECP84103T-5	4,333	SD	27.44	415	93.6	575	23.7	1
30	1800	286TC	TEFC	CECP84104T-5	4,962	SD	27.44	458	93.6	575	28.8	1
40	1800	324TC	TEFC	ECP84114T-5	7,438	SD	30.44	671	94.1	575	38.1	1
50	1800	326TC	TEFC	ECP84115T-5	7,404	SD	30.44	725	94.5	575	46.7	1

(a) See notes on inside back flap and pages 5-6.

**MEETS NRC CANADIAN STANDARDS FOR EFFICIENCY.**

■ Cast Iron Frame

Farm Duty Motors

Definite Purpose Motors

Unit Handling Motors

Brake Motors

200 & 575 Volt Motors

IEC Frame Motors

50 Hertz Motors

Inverter/Vector Motors & Controls

DC Motors and Controls

Soft Start & Dynamic Brakes

**575 Volt,  
Three Phase,  
C-Face, Washdown,  
Totally Enclosed**

**1/2 thru 20 Hp**

**NEMA 56C thru 256TC**

**Applications:** Food processing and other applications that regularly expose the motor to high pressure wash down.

**Features:** 300 series stainless steel hardware, moisture sealant on bolt heads, between frame and endplates. Neoprene gaskets. Double sealed ball bearings. Forsheda® running contact v-ring slinger. Stainless steel shaft extension. Electrostatically applied epoxy finish. Class F insulation. Tropicalized. CEWDM Super-E® motors have NEMA Premium® efficiency and 3 year warranty.



Hp	RPM	NEMA Frame	Enclosure	Catalog Number	List Price	Mult. Sym.	"C" Dim.	Aprx. Wt. (lb)	Full Load Efficiency	Voltage	Full Load Amps	Notes (a)
<b>C-Face, Foot Mounted</b>												
1/2	1800	56C	TENV	<b>CWDM3538-5</b>	550	WD	11.08	28	78.5	575	0.6	1,60
3/4	1800	56C	TENV	<b>CWDM3542-5</b>	597	WD	11.08	34	80	575	0.9	1,60
1	1800	56C	TENV	<b>CWDM3546-5</b>	640	WD	12.06	34	81	575	1.3	1,60
		56C	TENV	<b>CEWDM3546-5</b>	878	WD	12.94	51	87.5	575	1.1	1,60
1 1/2	1800	145TC	TENV	<b>CWDM3554T-5</b>	692	WD	13.00	46	82.5	575	1.7	1,60
		145TC	TENV	<b>CEWDM3554T-5</b>	939	WD	13.00	48	86.5	575	1.6	1,60
2	1800	145TC	TEFC	<b>CWDM3558T-5</b>	775	WD	13.28	43	84	575	2.2	1
		145TC	TEFC	<b>CEWDM3558T-5</b>	1,034	WD	14.16	50	86.5	575	2.2	1
3	1800	182TC	TEFC	<b>CWDM3611T-5</b>	1,018	WD	16.54	72	87.5	575	3.3	1
		182TC	TEFC	<b>CEWDM3611T-5</b>	1,359	WD	16.54	75	89.5	575	3.1	1
5	1800	184TC	TEFC	<b>CWDM3615T-5</b>	1,151	WD	16.54	78	87.5	575	5.7	1
		184TC	TEFC	<b>CEWDM3615T-5</b>	1,539	WD	18.04	99	90.2	575	5.2	1
7 1/2	1800	213TC	TEFC	<b>CEWDM3710T-5</b>	1,948	WD	19.78	195	91.7	575	8.2	1
10	1800	215TC	TEFC	<b>CEWDM3714T-5</b>	2,215	WD	21.27	162	91.7	575	10.1	1
15	1800	254TC	TEFC	<b>CEWDM23933T-5</b>	4,356	WD	23.57	247	92.4	575	14.8	1
20	1800	256TC	TEFC	<b>CEWDM23934T-5</b>	5,052	WD	23.57	280	93	575	19.2	1
<b>C-Face, Footless</b>												
1/2	1800	56C	TENV	<b>VWDM3538-5</b>	546	WD	11.08	31	75.5	575	0.6	1,60
3/4	1800	56C	TENV	<b>VWDM3542-5</b>	593	WD	11.06	34	80	575	0.9	1,60
1	1800	56C	TENV	<b>VWDM3546-5</b>	635	WD	12.06	34	81	575	1.3	1,60
1 1/2	1800	145TC	TENV	<b>VWDM3554T-5</b>	685	WD	13.00	55	82.5	575	1.9	1,60
2	1800	145TC	TEFC	<b>VWDM3558T-5</b>	721	WD	13.30	46	84	575	2.2	1

(a) See notes on inside back flap and pages 5-6.

Farm Duty Motors

Definite Purpose Motors

Unit Handling Motors

Brake Motors

200 & 575 Volt Motors

IEC Frame Motors

50 Hertz Motors

Inverter/Vector Motors & Controls

DC Motors and Controls

Soft Starters & Dynamic Brakes



**575 Volt,  
Three Phase,  
ODP, Foot Mounted**

**1/3 thru 150 Hp**

**NEMA 56 thru 444T**

**Applications:** Pumps, compressors, fans, conveyors, machine tools and other applications where 575 volt three phase power is available.

**Features:** Ball bearings. Mount in any position. Heavy-gauge steel and cast iron frames. EM Super-E® / XE motors have NEMA Premium® efficiency and 3 year warranty.



Hp	RPM	NEMA Frame	Catalog Number	List Price	Mult. Sym.	"C" Dim.	Aprx. Wt. (lb)	Full Load Efficiency	Voltage	Full Load Amps	Notes (a)
1/3	1800	56	M3104-5	252	LS	9.50	20	68	575	0.64	
1/2	1800	56	M3108-5	287	LS	9.50	22	74	575	0.8	
3/4	1800	56	M3112-5	320	LS	10.12	25	75.5	575	1.2	
1	1800	56	M3116-5	361	LS	11.75	28	78.5	575	1.3	
		143T	EM3116T-5	522	L1	11.12	33	85.5	575	1.1	1
		143T	M3116T-5	363	LS	11.12	30	82.5	575	1.1	
1 1/2	1800	145T	EM3154T-5	546	L1	12.12	40	86.5	575	1.7	1
		145T	M3154T-5	425	LS	11.62	37	84	575	1.7	
2	1800	145T	EM3157T-5	585	L1	13.00	46	86.5	575	2.1	1
		145T	M3157T-5	434	LS	12.12	42	84	575	2.2	
3	1800	182T	EM3211T-5	631	L1	15.00	66	89.5	575	3.1	1
		182T	M3211T-5	453	LS	14.63	62	86.5	575	3.2	1
5	1800	184T	EM3218T-5	691	L1	15.00	74	89.5	575	5.2	1
		184T	M3218T-5	501	LS	15.00	66	87.5	575	5.5	
7 1/2	1800	213T	EM3311T-5	1,016	L1	16.32	114	91	575	8	1
		213T	M3311T-5	711	LS	17.00	97	88.5	575	7.7	
10	1800	215T	EM3313T-5	1,230	L1	18.20	145	91.7	575	10.2	1
		215T	M3313T-5	870	LS	17.45	129	89.5	575	11	
15	1800	254T	EM2513T-5	1,742	L1	21.69	234	93	575	14.1	1
		254T	M2513T-5	1,315	LS	20.50	171	91	575	16.2	1
20	1800	256T	EM2515T-5	2,187	L1	21.69	237	93	575	18.9	1
		256T	M2515T-5	1,694	L1	22.25	221	91.7	575	19.2	
25	1800	284T	EM2531T-5	2,666	L1	23.81	330	94.1	575	24.2	1
		284T	M2531T-5	2,053	L1	23.44	278	91.7	575	24.4	
30	1800	286T	EM2535T-5	2,915	L1	25.06	356	94.1	575	28	1
		286T	M2535T-5	2,401	L1	24.94	280	92.4	575	29	
40	1800	324T	EM2539T-5	3,803	L1	26.69	482	94.5	575	37.4	1
		324T	M2539T-5	3,061	L1	26.19	387	93	575	38.8	
50	1800	326T	EM2543T-5	4,197	L1	27.69	445	94.5	575	46	1
		326T	M2543T-5	3,593	L1	27.19	383	93	575	49.2	
60	1800	364T	EM2547T-5	5,284	L1	30.69	726	95	575	56	1
		364T	M2547T-5	4,432	L1	27.94	467	93.6	575	57.4	
75	1800	365T	M2551T-5	5,440	L1	29.94	593	94.1	575	70	
100	1800	404T	M2555T-5	6,059	L1	35.22	687	94.1	575	94	
125	1800	405T	M2559T-5	6,966	L1	34.47	932	94.5	575	115	25
150	1800	444T	M2558T-5	9,016	L1	39.62	1,470	95	575	139	25

(a) See notes on inside back flap and pages 5-6.

**MEETS NRC CANADIAN STANDARDS FOR EFFICIENCY.**

■ Cast Iron Frame

Farm Duty Motors

Definite Purpose Motors

Unit Handling Motors

Brake Motors

200 & 575 Volt Motors

IEC Frame Motors

50 Hertz Motors

Inverter/Vector Motors & Controls

DC Motors and Controls

Soft Start & Dynamic Brakes

**575 Volt,  
Three Phase,  
Close-Coupled Pump,  
TEFC and ODP,  
C-Face**

**1 thru 20 Hp**

**NEMA 143JM thru 256JM**

**Applications:** Applications for circulating and transferring fluids.

**Features:** Over-sized ball bearings with locked drive end construction for minimum shaft movement. Open drip-proof, close coupled pump motors are furnished with rodent screens at both ends. EJMM Super-E® motors have NEMA Premium® efficiency. 3 year warranty.



Hp	RPM	NEMA Frame	Catalog Number	List Price	Mult. Sym.	"C" Dim.	Aprx. Wt. (lb)	Full Load Efficiency	Voltage	Full Load Amps	Notes (a)
<b>C-Face, Foot Mounted, Totally Enclosed Fan Cooled</b>											
1	1800	143JM	JMM3546T-5	512	L1	15.43	34	75	575	1.4	
1 1/2	3600	143JM	JMM3550T-5	537	L1	15.43	36	75	575	1.8	
	1800	145JM	JMM3554T-5	537	L1	15.43	37	78.5	575	2	
2	3600	145JM	JMM3555T-5	599	L1	15.43	41	78.5	575	2.2	
	1800	145JM	JMM3558T-5	561	L1	15.43	44	82.5	575	2.5	
3	3600	145JM	JMM3559T-5	672	L1	16.31	50	82.5	575	3	1
		182JM	JMM3610T-5	697	L1	16.69	60	81.5	575	3.1	
	1800	182JM	JMM3611T-5	672	L1	18.06	63	82.5	575	3.6	1
5	3600	184JM	JMM3613T-5	860	L1	18.06	75	85.5	575	4.8	1
	1800	184JM	JMM3615T-5	751	L1	18.06	79	85.5	575	5.3	1
7 1/2	3600	184JM	JMM3616T-5	973	L1	19.56	88	87.5	575	6.9	2,20
	1800	213JM	JMM3710T-5	961	L1	19.81	122	87.5	575	8.2	1
10	3600	215JM	JMM3711T-5	1,311	L1	19.81	127	85.5	575	9.6	1
	1800	215JM	JMM3714T-5	1,213	L1	20.94	134	87.5	575	10.4	2,20
15	3600	215JM	JMM3713T-5	1,728	L1	20.94	151	86.5	575	13.7	
		254JM	JMM2394T-5	2,273	L1	23.10	192	86.5	575	13.7	1
	1800	254JM	JMM2333T-5	2,216	L1	23.10	203	87.5	575	16	1
<b>C-Face, Footless, Totally Enclosed Fan Cooled</b>											
1	1800	143JM	VJMM3546T-5	521	L1	14.43	36	75	575	1.4	
1 1/2	1800	145JM	VJMM3554T-5	546	L1	15.43	34	78.5	575	2	
2	1800	145JM	VJMM3558T-5	571	L1	15.43	45	82.5	575	2.5	
3	1800	182JM	VJMM3611T-5	682	L1	18.05	65	82.5	575	3.6	1
5	1800	184JM	VJMM3615T-5	765	L1	19.70	76	85.5	575	5.3	1
7 1/2	1800	213JM	VJMM3710T-5	993	L1	19.76	121	87.5	575	8	1
10	1800	215JM	VJMM3714T-5	1,226	L1	16.64	130	87.5	575	10.4	2,20
15	1800	254JM	VJMM2333T-5	2,236	L1	21.85	190	87.5	575	16	1
20	1800	256JM	VJMM2334T-5	2,311	L1	25.28	267	91	575	19.1	1
<b>C-Face, Foot Mounted, Open Drip Proof</b>											
3	3600	145JM	JMM3158T-5	578	L1	14.25	45	80	575	3.2	
	1800	182JM	JMM3211T-5	573	L1	16.98	60	82.5	575	3.3	1
5	3600	182JM	JMM3212T-5	650	L1	15.66	62	84	575	4.8	
	1800	184JM	JMM3218T-5	620	L1	16.50	66	82.5	575	5.6	
7 1/2	3600	184JM	JMM3219T-5	795	L1	16.50	70	84	575	7.2	1
	1800	213JM	JMM3311T-5	900	L1	18.19	100	85.5	575	8.8	
10	3600	213JM	JMM3312T-5	1,081	L1	18.19	92	82.5	575	10	
	1800	215JM	JMM3313T-5	1,069	L1	18.19	110	85.5	575	11.2	
15	3600	215JM	JMM3314T-5	1,453	L1	19.78	113	85.5	575	14.5	1

(a) See notes on inside back flap and pages 5-6.

**MEETS NRC CANADIAN STANDARDS FOR EFFICIENCY.**

■ Cast Iron Frame

Farm Duty Motors

Definite Purpose Motors

Unit Handling Motors

Brake Motors

200 & 575 Volt Motors

IEC Frame Motors

50 Hertz Motors

Inverter/Vector Motors & Controls

DC Motors and Controls

Soft Starters & Dynamic Brakes

BALDOR • RELIANCE

575 Volt,  
Three Phase,  
Explosion Proof

1/2 thru 40 Hp

NEMA 56 thru 324T

Applications: Shakers, blowers, pumps, mixers, etc.



Features: All models have torques exceeding NEMA standards, copper windings, rotors that are corrosion treated and precision balanced. 1.00 Service Factor. UL and CSA approved for Class I, Group D or Class II, Group F & G.

Hp	RPM	NEMA Frame	Catalog Number	XP <sup>(a)</sup> CIs/Grp	List Price	Mult. Sym.	"C" Dim.	Aprx. Wt. (lb)	Full Load Efficiency	Voltage	Full Load Amps	Notes <sup>(b)</sup>
<b>Foot Mounted, No Drip Cover</b>												
1/2	1800	56	M7006-5	Ⓢ	605	K	14.30	37	74	575	0.9	2
3/4	1800	56	M7010-5	Ⓢ	697	K	14.30	35	76	575	1.2	2
1	3600	56	M7013-5	Ⓢ	731	K	13.22	31	75.5	575	1.4	2
	1800	56	M7014-5	Ⓢ	763	K	14.30	38	75	575	1.4	
			143T	M7014T-5	Ⓢ	794	LS	14.36	43	82.5	575	1.2
1 1/2	3600	143T	M7018T-5	Ⓢ	750	L1	15.23	46	82.5	575	1.5	2
	1800	145T	M7034T-5	Ⓢ	796	LS	15.23	50	84	575	1.7	2
2	3600	145T	M7071T-5	Ⓢ	768	L1	15.23	53	84	575	2.1	2
	1800	145T	M7037T-5	Ⓢ	898	LS	15.23	53	84	575	2.2	2
3	1800	182T	M7042T-5	Ⓢ	982	LS	17.42	78	87.5	575	3.3	2
5	3600	184T	M7072T-5	Ⓢ	1,130	L1	18.12	94	87.5	575	5.5	2
	1800	184T	M7044T-5	Ⓢ	1,217	LS	17.37	97	87.5	575	5.2	1,16
7 1/2	1800	213T	M7047T-5	Ⓢ	1,500	LS	20.32	170	89.5	575	8.2	1,16
10	1800	215T	M7170T-5	Ⓢ	2,035	L1	19.90	217	89.5	575	11.4	2
15	1800	254T	M7054T-5	Ⓢ	2,346	LS	25.50	351	91	575	14.4	2
20	1800	256T	M7056T-5	Ⓢ	3,042	LS	25.50	361	91	575	19.2	2
25	1800	284T	M7058T-5	Ⓢ	3,764	LS	28.61	528	92.4	575	24.6	2
30	1800	286T	M7060T-5	Ⓢ	4,523	L1	28.61	552	92.4	575	28.8	2
40	1800	324T	M7062T-5	Ⓢ	6,147	LS	32.00	761	93	575	37.6	2
<b>C-Face, Footless, No Drip Cover</b>												
1/2	1800	56C	VM7006-5	Ⓢ	788	K	14.30	34	74	575	0.9	2
3/4	1800	56C	VM7010-5	Ⓢ	802	K	14.30	35	76	575	1.2	2
1	1800	56C	VM7014-5	Ⓢ	842	K	14.30	37	75	575	1.4	
		143TC	VM7014T-5	Ⓢ	842	L1	14.33	44	82.5	575	1.2	2
1 1/2	1800	145TC	VM7034T-5	Ⓢ	907	L1	14.33	47	84	575	1.7	2
2	1800	145TC	VM7037T-5	Ⓢ	981	L1	15.21	51	84	575	2.2	2
3	1800	182TC	VM7042T-5	Ⓢ	1,258	L1	17.49	92	87.5	575	3.3	2
5	1800	184TC	VM7044T-5	Ⓢ	1,532	L1	18.80	109	87.5	575	5.2	
7 1/2	1800	213TC	VM7047T-5	Ⓢ	1,774	L1	20.33	171	89.5	575	8.2	2

(a) See explosion proof symbols on inside back flap.

(b) See notes on inside back flap and pages 5-6.

See page 474 for explosion proof classifications.

■ Cast Iron Frame

**CAUTION:** Explosion-proof motors have a tight fit between mating parts to ensure the integrity of the explosion-proof enclosure. This can lead to an accumulation of moisture inside the motors due to condensation. Care should be used when selecting an explosion-proof motor, especially when installed outdoors and on intermittent duty. The Explosion-proof motors are not suitable for use with adjustable speed drives. Inverter Duty Explosion-proof motors must be used. See page 206.

Farm Duty Motors

Definite Purpose Motors

Unit Handling Motors

Brake Motors

200 & 575 Volt Motors

IEC Frame Motors

50 Hertz Motors

Inverter/Vector Motors & Controls

DC Motors and Controls

Soft Start & Dynamic Brakes

**Metric IEC  
Frame Motors,  
Three Phase, 60 Hz,  
230/460 Volts**

**0.18 thru 1.5 kW (.25 thru 2 Hp)**

**IEC D63 thru D90L**

**Applications:** Replacement motors for equipment made in Europe requiring IEC metric frame mounting.

**Features:** IP55 weather proof enclosure, aluminum frame construction. Conforms to IEC 60072-1 and IEC 60034-1. CSA and CSAus #1282269 (LR112981).



kW/HP	RPM	IEC Frame	Catalog Number	List Price	Mult. Sym.	"Q" Dim.	Aprx. Wt. (lb)	Full Load Efficiency	Voltage	Full Load Amps	Notes (a)
<b>B3, Foot Mounted</b>											
.18/.25	3600	D63	<b>MM5100</b>	202	K	8.74	9	64	230/460	0.5	1,48,106
	1800	D63	<b>MM5150</b>	211	K	8.74	12	64	230/460	0.6	1,48,106
.25/.33	3600	D63	<b>MM5200</b>	235	K	8.74	10	62	230/460	0.7	1,48,106
	1800	D71	<b>MM5250</b>	247	K	9.60	11	64	230/460	0.8	1,48,106
.37/.50	3600	D71	<b>MM5300</b>	252	K	9.60	13	66	230/460	1	1,48,106
	1800	D71	<b>MM5350</b>	257	K	9.60	16	72	230/460	0.9	1,48,106
.55/.75	3600	D71	<b>MM5400</b>	262	K	9.60	17	70.5	230/460	1.4	1,48,106
	1800	D80	<b>MM5450</b>	279	K	11.26	22	75.5	230/460	1.3	1,48,106
.75/1.0	3600	D80	<b>MM5500</b>	298	K	11.26	20	76	230/460	1.6	1,48,106
	1800	D80	<b>MM5550</b>	303	K	11.26	23	82.5	230/460	1.7	1,48,106
1.1/1.5	3600	D80	<b>MM5600</b>	332	K	11.26	23	82.5	230/460	2.1	1,48,106
	1800	D90S	<b>MM5650</b>	340	K	11.93	26	84.5	230/460	2.1	1,48,106
1.5/2.0	3600	D90S	<b>MM5700</b>	353	K	11.93	34	84	230/460	2.8	1,48,106
	1800	D90L	<b>MM5750</b>	365	K	12.91	37	84	230/460	3.1	1,48,106
<b>B5, Flange Mounted</b>											
.18/.25	3600	D63D	<b>MVM5100D</b>	233	K	8.74	10	63	230/460	0.5	1,48,106
	1800	D63D	<b>MVM5150D</b>	242	K	8.74	13	64	230/460	0.6	1,48,106
.25/.33	3600	D63D	<b>MVM5200D</b>	268	K	8.74	11	62	230/460	0.7	1,48,106
	1800	D71D	<b>MVM5250D</b>	276	K	9.60	12	64	230/460	0.8	1,48,106
.37/.50	3600	D71D	<b>MVM5300D</b>	275	K	9.60	14	66	230/460	1	1,48,106
	1800	D71D	<b>MVM5350D</b>	286	K	9.60	17	72	230/460	1	1,48,106
.55/.75	3600	D71D	<b>MVM5400D</b>	292	K	9.60	18	70.5	230/460	1.4	1,48,106
	1800	D80D	<b>MVM5450D</b>	311	K	11.26	23	75.5	230/460	1.3	1,48,106
.75/1.0	3600	D80D	<b>MVM5500D</b>	319	K	11.26	21	76	230/460	1.6	1,48,106
	1800	D80D	<b>MVM5550D</b>	335	K	11.26	24	82.5	230/460	1.7	1,48,106
1.1/1.5	3600	D80D	<b>MVM5600D</b>	365	K	11.26	24	82.5	230/460	2.1	1,48,106
	1800	D90SD	<b>MVM5650D</b>	371	K	11.93	17	84.5	230/460	2.1	1,48,106
1.5/2.0	3600	D90SD	<b>MVM5700D</b>	405	K	11.93	35	84	230/460	2.8	1,48,106
	1800	D90LD	<b>MVM5750D</b>	415	K	12.91	38	84	230/460	3.1	1,48,106
<b>B14, Face Mounted</b>											
.18/.25	3600	D63C	<b>MVM5100C</b>	227	K	8.74	9	63	230/460	0.5	1,48,106
	1800	D63C	<b>MVM5150C</b>	235	K	8.74	12	64	230/460	0.6	1,48,106
.25/.33	3600	D63C	<b>MVM5200C</b>	263	K	8.74	10	62	230/460	0.7	1,48,106
	1800	D71C	<b>MVM5250C</b>	271	K	9.60	11	64	230/460	0.8	1,48,106
.37/.50	3600	D71C	<b>MVM5300C</b>	272	K	9.60	13	66	230/460	1	1,48,106
	1800	D71C	<b>MVM5350C</b>	282	K	9.60	16	72	230/460	1	1,48,106
.55/.75	3600	D71C	<b>MVM5400C</b>	286	K	9.60	17	70.5	230/460	1.4	1,48,106
	1800	D80C	<b>MVM5450C</b>	304	K	11.26	22	75.5	230/460	1.3	1,48,106
.75/1.0	3600	D80C	<b>MVM5500C</b>	313	K	11.26	20	76	230/460	1.6	1,48,106
	1800	D80C	<b>MVM5550C</b>	330	K	11.26	23	82.5	230/460	1.7	1,48,106
1.1/1.5	3600	D80C	<b>MVM5600C</b>	358	K	11.26	23	82.5	230/460	2.1	1,48,106
	1800	D90SC	<b>MVM5650C</b>	363	K	11.93	26	84.5	230/460	2.1	1,48,106
1.5/2.0	3600	D90SC	<b>MVM5700C</b>	394	K	11.93	34	84	230/460	2.8	1,48,106
	1800	D90LC	<b>MVM5750C</b>	405	K	12.91	37	84	230/460	3.1	1,48,106

(a) See notes on inside back flap and pages 5-6.

Farm Duty Motors

Definite Purpose Motors

Unit Handling Motors

Brake Motors

200 & 575 Volt Motors

IEC Frame Motors

50 Hertz Motors

Inverter/Vector Motors & Controls

DC Motors and Controls

Soft Starters & Dynamic Brakes

**Metric IEC  
Frame Motors,  
Three Phase,  
60 Hz, 575 Volts**

**0.18 thru 1.5 kW (.25 thru 2 Hp)**

**IEC D63 thru D90L**

**Applications:** Replacement motors for equipment made in Europe requiring IEC metric frame mounting.

**Features:** IP55 weather proof enclosure, aluminum frame construction. Conforms to IEC 60072-1 and IEC 60034-1. CSA and CSAus #1282269 (LR112981).



Farm Duty Motors

Definite Purpose Motors

Unit Handling Motors

Brake Motors

200 & 575 Volt Motors

IEC Frame Motors

50 Hertz Motors

Inverter/Vector Motors & Controls

DC Motors and Controls

Soft Start & Dynamic Brakes

kW/HP	RPM	IEC Frame	Catalog Number	List Price	Mult. Sym.	"Q" Dim.	Aprx. Wt. (lb)	Full Load Efficiency	Voltage	Full Load Amps	Notes (a)
<b>B3, Foot Mounted</b>											
.18/.25	3600	D63	<b>MM5100-5</b>	202	K	8.74	9	63	575	0.4	1,106
	1800	D63	<b>MM5150-5</b>	211	K	8.74	12	64	575	0.5	1,106
.25/.33	3600	D63	<b>MM5200-5</b>	235	K	8.74	10	62	575	0.6	1,106
	1800	D71	<b>MM5250-5</b>	247	K	9.60	11	64	575	0.6	1,106
.37/.50	3600	D71	<b>MM5300-5</b>	252	K	9.60	13	66	575	0.8	1,106
	1800	D71	<b>MM5350-5</b>	257	K	9.60	16	72	575	0.7	1,106
.55/.75	3600	D71	<b>MM5400-5</b>	262	K	9.60	17	70.5	575	1.1	1,106
	1800	D80	<b>MM5450-5</b>	279	K	11.26	22	75.5	575	1.1	1,106
.75/1.0	3600	D80	<b>MM5500-5</b>	298	K	11.26	20	76	575	1.2	1,106
	1800	D80	<b>MM5550-5</b>	303	K	11.26	20	82.5	575	1.4	1,106
1.1/1.5	3600	D80	<b>MM5600-5</b>	332	K	11.26	23	82.5	575	1.7	1,106
	1800	D90S	<b>MM5650-5</b>	340	K	11.93	26	84.5	575	1.7	1,106
1.5/2.0	3600	D90S	<b>MM5700-5</b>	353	K	11.93	34	84	575	2.2	1,106
	1800	D90L	<b>MM5750-5</b>	365	K	12.91	37	84	575	2.5	1,106
<b>B5, Flange Mounted</b>											
.18/.25	3600	D63D	<b>MVM5100D-5</b>	233	K	8.74	10	63	575	0.4	1,106
	1800	D63D	<b>MVM5150D-5</b>	242	K	8.74	13	64	575	0.5	1,106
.25/.33	3600	D63D	<b>MVM5200D-5</b>	268	K	8.74	11	62	575	0.6	1,106
	1800	D71D	<b>MVM5250D-5</b>	276	K	9.60	12	64	575	0.6	1,106
.37/.50	3600	D71D	<b>MVM5300D-5</b>	275	K	9.60	14	66	575	0.8	1,106
	1800	D71D	<b>MVM5350D-5</b>	286	K	9.60	17	72	575	0.8	1,106
.55/.75	3600	D71D	<b>MVM5400D-5</b>	292	K	9.60	18	70.5	575	1.1	1,106
	1800	D80D	<b>MVM5450D-5</b>	311	K	11.26	23	75.5	575	1.1	1,106
.75/1.0	3600	D80D	<b>MVM5500D-5</b>	319	K	11.26	21	76	575	1.2	1,106
	1800	D80D	<b>MVM5550D-5</b>	335	K	11.26	24	82.5	575	1.4	1,106
1.1/1.5	3600	D80D	<b>MVM5600D-5</b>	365	K	11.26	24	82.5	575	1.7	1,106
	1800	D90SD	<b>MVM5650D-5</b>	371	K	11.93	27	84.5	575	1.7	1,106
1.5/2.0	3600	D90SD	<b>MVM5700D-5</b>	405	K	11.93	35	84	575	2.2	1,106
	1800	D90LD	<b>MVM5750D-5</b>	415	K	12.91	38	84	575	2.5	1,106
<b>B14, Face Mounted</b>											
.18/.25	3600	D63C	<b>MVM5100C-5</b>	227	K	8.74	9	63	575	0.4	1,106
	1800	D63C	<b>MVM5150C-5</b>	235	K	8.74	12	64	575	0.5	1,106
.25/.33	3600	D63C	<b>MVM5200C-5</b>	263	K	8.74	10	62	575	0.6	1,106
	1800	D71C	<b>MVM5250C-5</b>	271	K	9.60	11	64	575	0.6	1,106
.37/.50	3600	D71C	<b>MVM5300C-5</b>	272	K	9.60	13	66	575	0.8	1,106
	1800	D71C	<b>MVM5350C-5</b>	282	K	9.60	16	72	575	0.7	1,106
.55/.75	3600	D71C	<b>MVM5400C-5</b>	286	K	9.60	17	70.5	575	1.1	1,106
	1800	D80C	<b>MVM5450C-5</b>	304	K	11.26	22	75.5	575	1.1	1,106
.75/1.0	3600	D80C	<b>MVM5500C-5</b>	313	K	11.26	20	76	575	1.2	1,106
	1800	D80C	<b>MVM5550C-5</b>	330	K	11.26	23	82.5	575	1.4	1,106
1.1/1.5	3600	D80C	<b>MVM5600C-5</b>	431	K	11.26	23	82.5	575	1.2	1,106
	1800	D90SC	<b>MVM5650C-5</b>	363	K	11.93	26	84.5	575	1.7	1,106
1.5/2.0	3600	D90SC	<b>MVM5700C-5</b>	394	K	11.93	34	84	575	2.2	1,106
	1800	D90LC	<b>MVM5750C-5</b>	405	K	12.91	37	84	575	2.5	1,106

(a) See notes on inside back flap and pages 5-6.

**Metric IEC  
Frame Motors,  
Three Phase,  
60 Hz**

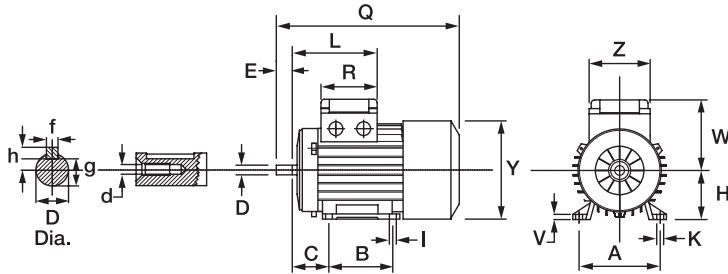
0.18 thru 1.5 kW (.25 thru 2 Hp) IEC D63 thru D90L



**Dimensions**

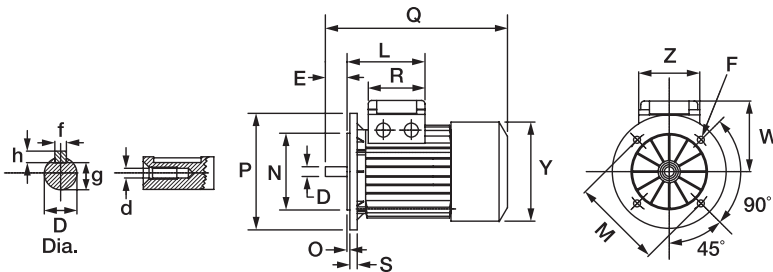
IEC Frame	Ø D	E	f	g	h	L	Q	R	V	Y	Z	d
63	11	23	4	8.5	4	130	222	81	7	120	75	M4
71	14	30	5	11	5	148	244	81	8.5	150	75	M5
80	19	40	6	15.5	6	162	286	81	9.5	170	75	M6
90 S	24	50	8	20	7	171	303	98.5	10.5	185	98.5	M8
90 L	24	50	8	20	7	196	328	98.5	10.5	185	98.5	M8

**B3 - Foot Mount**



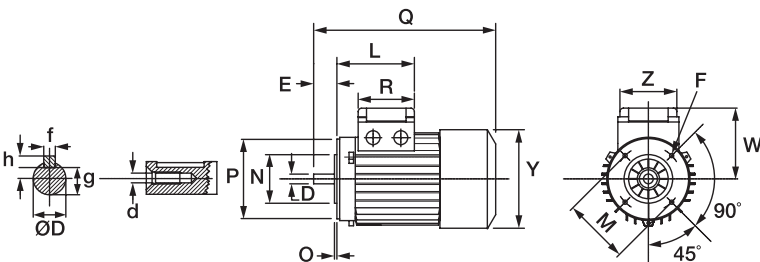
IEC Frame	A	B	C	H	I	K	W
63	100	80	40	63	8	10.5	89
71	112	90	45	71	7	10.5	102
80	125	100	50	80	9	14	113
90 S	140	100	56	90	10	14	127
90 L	140	125	56	90	10	14	127

**B5 - Flange Mount**



IEC Frame	F	Ø M	Ø N	O	Ø P	S
63	9.5	115	95	3	140	10
71	9.5	130	110	3.5	160	12
80	11.5	165	130	3.5	200	12
90 S	11.5	165	130	3.5	200	12
90 L	11.5	165	130	3.5	200	12

**B14 - Face Mount**



IEC Frame	F	Ø M	Ø N	O	Ø P
63	M5	75	60	2.5	90
71	M6	85	70	2.5	105
80	M6	100	80	3	120
90 S	M8	115	95	3	140
90 L	M8	115	95	3	140

Farm Duty Motors

Definite Purpose Motors

Unit Handling Motors

Brake Motors

200 & 575 Volt Motors

IEC Frame Motors

50 Hertz Motors

Inverter/Vector Motors & Controls

DC Motors and Controls

Soft Starters & Dynamic Brakes



**Super-E,  
Metric IEC Motors,  
Three Phase, 50 Hz,  
230/400 & 400 Volts**

**4 thru 200 kW (5-268 Hp)**

**IEC D112M thru D315M**

**Applications:** Pumps, compressors, fans, conveyors and other general purpose three phase applications.

**Features:** Suitable for mounting in any position. Cast iron frame, endplates conduit box and fan cover. Metric hardware and terminal strip in F2 conduit box. Re-greasing provisions and thermistors on 11kW (D160 frame) and larger. IP55 protection. Wye-delta connection. Complies with AS/NZS 1359.5.2005 High-Efficiency MEPS, exceeds Eff 1 CENELEC. ISR® (Inverter Spike Resistant) magnet wire. UL, CSA and CE compliant.



kW/HP	RPM	IEC Frame	Catalog Number	List Price	Mult. Sym.	"L" Dim.(in)	Aprx. Wt. (lb)	Full Load Efficiency <sup>(a)</sup>	Voltage	Full Load Amps	Notes <sup>(b)</sup>
4/5	3000	D112M	EM11042-57	1,190	L1	15.12	106	89.3	230/400	7	1,48,52
	1500	D112M	EM11044-57	996	L1	—	56	89.9	230/400	8.5	1,48,52
5.5/7.5	3000	D132S	EM13062-58	1,379	L1	18.23	78	90.1	400	10	1,48,52
	1500	D132S	EM13064-58	1,329	L1	18.23	81	90.7	400	10.4	1,48,52
7.5/10	3000	D132S	EM13082-58	1,617	L1	18.23	91	90.9	400	13.4	1,48,52
	1500	D132M	EM13084-58	1,490	L1	18.23	91	91.5	400	14.2	1,48,52
11/15	3000	D160M	EM16112-58 <sup>(c)</sup>	2,327	L1	23.50	282	92.4	400	20.3	1,48,52
	1500	D160M	EM16114-58 <sup>(c)</sup>	2,149	L1	23.50	286	92.4	400	20.5	1,48,52
15/20	3000	D160M	EM16152-58 <sup>(c)</sup>	2,545	L1	23.50	294	93	400	26	1,48,52
	1500	D160L	EM16154-58 <sup>(c)</sup>	2,584	L1	23.50	315	93	400	27.5	1,48,52
18.5/25	3000	D160L	EM16192-58 <sup>(c)</sup>	3,290	L1	23.50	310	93	400	32	1,48,52
	1500	D180M	EM18194-58 <sup>(c)</sup>	3,350	L1	27.48	459	93.6	400	33.5	1,48,52
22/30	3000	D180M	EM18222-58 <sup>(c)</sup>	3,890	L1	27.48	445	93.3	400	38.5	1,48,52
	1500	D180L	EM18224-58 <sup>(c)</sup>	3,956	L1	27.48	451	93.6	400	43.5	1,48,52
30/40	3000	D200M	EM20302-58 <sup>(c)</sup>	5,011	L1	29.45	608	93.9	400	51.5	1,48,52
	1500	D200L	EM20304-58 <sup>(c)</sup>	5,142	L1	29.45	608	94.2	400	54.7	1,48,52
37/50	3000	D200M	EM20372-58 <sup>(c)</sup>	5,785	L1	29.45	633	94.2	400	63.8	1,48,52
	1500	D225M	EM22374-58 <sup>(c)</sup>	5,611	L1	32.48	367	94.5	400	67.4	1,48,52
45/60	3000	D225S	EM22452-58 <sup>(c)</sup>	8,087	L1	31.30	815	94.6	400	77.8	1,48,52
	1500	D225M	EM22454-58 <sup>(c)</sup>	8,030	L1	32.48	808	94.8	400	79.7	1,48,52
55/75	3000	D250S	EM25552-58 <sup>(c)</sup>	9,393	L1	36.30	1,100	94.9	400	92.2	1,48,52
	1500	D250M	EM25554-58 <sup>(c)</sup>	9,374	L1	36.30	1,185	95	400	95.5	1,48,52
75/100	3000	D280S	EM28752-58 <sup>(c)</sup>	11,897	L1	41.14	1,264	95.4	400	130	1,48,52
	1500	D250M	EM25754-58 <sup>(c)</sup>	11,806	L1	36.30	569	95.5	400	135	1,48,52
90/125	3000	D280S	EM28902-58 <sup>(c)</sup>	16,153	L1	41.14	1,421	95.5	400	151	1,48,52
	1500	D280M	EM28904-58 <sup>(c)</sup>	15,891	L1	42.48	1,455	95.7	400	158	1,48,52
110/150	3000	D315S	EM31112-58 <sup>(c)</sup>	19,162	L1	45.94	1,592	95.8	400	193	1,48,52
	1500	D315M	EM31114-58 <sup>(c)</sup>	18,598	L1	44.76	1,859	96	400	192	1,48,52
132/177	3000	D315S	EM31132-58 <sup>(c)</sup>	21,011	L1	44.76	1,662	96.1	400	226	1,48,52
	1500	D315M	EM31134-58 <sup>(c)</sup>	20,716	L1	45.94	1,859	96.1	400	231	1,48,52
160/215	3000	D315S	EM31162-58 <sup>(d)</sup>	28,228	L1	—	1,025	96.1	400	269	1,48,52
	1500	D315M	EM31164-58 <sup>(d)</sup>	27,613	L1	—	1,000	96.3	400	286	1,48,52
200/268	3000	D315M	EM31202-58 <sup>(d)</sup>	42,147	L1	—	1,190	96.1	400	337	1,48,52
	1500	D315M	EM31204-58 <sup>(d)</sup>	27,341	L1	—	1,160	96.3	400	351	1,48,52

<sup>(a)</sup> Efficiency per IEC 60034-1.

<sup>(b)</sup> See notes on inside back flap and pages 5-6.

<sup>(c)</sup> Includes 3 winding thermistors.

<sup>(d)</sup> Includes 3 winding thermistors. G28 due mid-2009

■ Cast Iron Frame

Farm Duty Motors

Definite Purpose Motors

Unit Handling Motors

Brake Motors

200 & 575 Volt Motors

IEC Frame Motors

50 Hertz Motors

Inverter/Vector Motors & Controls

DC Motors and Controls

Soft Start & Dynamic Brakes

**Metric-E,  
IEC Motors,  
Three Phase, 50 Hz,  
230/400 & 400 Volts**

**4 thru 200 kW (5-268 Hp)**

**IEC D112M thru D315M**

**Applications:** Pumps, compressors, fans, conveyors and other general purpose three phase applications.

**Features:** Suitable for mounting in any position. Cast iron frame, endplates conduit box and fan cover. Metric hardware and terminal strip in F2 conduit box. Re-greasing provisions and thermistors on 11kW (D160 frame) and larger. IP55 protection. Wye-delta connection. Complies with AS/NZS 1359.5.2005 High-Efficiency MEPS, exceeds Eff 1 CENELEC. ISR® (Inverter Spike Resistant) magnet wire. UL, CSA and CE compliant.



kW/Hp	RPM	IEC Frame	Catalog Number	List Price	Mult. Sym.	"L" Dim.(in)	Aprx. Wt. (lb)	Full Load Efficiency <sup>(a)</sup>	Voltage	Full Load Amps	Notes <sup>(b)</sup>
4/5	3000	D112M	<b>M11042-57</b>	1,064	L1	15.12	98	87.6	230/400	7.1	1,48,52
	1500	D112M	<b>M11044-57</b>	878	L1	17.60	113	88.5	230/400	8	1,48,52
5.5/7.5	3000	D132S	<b>M13062-58</b>	1,211	L1	18.23	168	88.5	400	10.2	1,48,52
	1500	D132S	<b>M13064-58</b>	1,173	L1	18.23	178	89.2	400	10.6	1,48,52
7.5/10	3000	D132S	<b>M13082-58</b>	1,455	L1	18.23	198	89.5	400	13.6	1,48,52
	1500	D132M	<b>M13084-58</b>	1,261	L1	18.23	196	90.1	400	14.4	1,48,52
11/15	3000	D160M	<b>M16112-58</b> <sup>(c)</sup>	1,995	L1	23.50	282	91.7	400	20.3	1,48,52
	1500	D160M	<b>M16114-58</b> <sup>(c)</sup>	1,790	L1	23.50	286	92.4	400	21.8	1,48,52
15/20	3000	D160M	<b>M16152-58</b> <sup>(c)</sup>	2,183	L1	23.50	294	91.3	400	26.3	1,48,52
	1500	D160L	<b>M16154-58</b> <sup>(c)</sup>	2,142	L1	23.50	315	92.4	400	27.8	1,48,52
18.5/25	3000	D160L	<b>M16192-58</b> <sup>(c)</sup>	2,750	L1	23.50	310	91.8	400	33	1,48,52
	1500	D180M	<b>M18194-58</b> <sup>(c)</sup>	2,627	L1	27.48	437	92.4	400	37.8	1,48,52
22/30	3000	D180M	<b>M18222-58</b> <sup>(c)</sup>	2,977	L1	27.48	202	92.2	400	37.9	1,48,52
	1500	D180L	<b>M18224-58</b> <sup>(c)</sup>	3,086	L1	27.48	470	93.2	400	42.5	1,48,52
30/40	3000	D200M	<b>M20302-58</b> <sup>(c)</sup>	4,213	L1	29.45	625	92.9	400	52	1,48,52
	1500	D200L	<b>M20304-58</b> <sup>(c)</sup>	4,063	L1	29.45	608	94.1	400	52.6	1,48,52
37/50	3000	D200M	<b>M20372-58</b> <sup>(c)</sup>	4,281	L1	29.45	725	93.3	400	64.4	1,48,52
	1500	D225M	<b>M22374-58</b> <sup>(c)</sup>	4,202	L1	32.48	808	94.1	400	72.5	1,48,52
45/60	3000	D225S	<b>M22452-58</b> <sup>(c)</sup>	6,479	L1	31.30	808	94.1	400	76.5	1,48,52
	1500	D225M	<b>M22454-58</b> <sup>(c)</sup>	6,386	L1	32.48	808	94.5	400	85.5	1,48,52
55/75	3000	D250S	<b>M25552-58</b> <sup>(c)</sup>	7,849	L1	36.30	1,075	94.1	400	93.5	1,48,52
	1500	D250M	<b>M25554-58</b> <sup>(c)</sup>	7,768	L1	36.30	1,200	94.5	400	94.5	1,48,52
75/100	3000	D280S	<b>M28752-58</b> <sup>(c)</sup>	9,998	L1	36.30	1,449	94.6	400	131	1,48,52
	1500	D250M	<b>M25754-58</b> <sup>(c)</sup>	9,723	L1	36.30	1,255	95.4	400	128	1,48,52
90/125	3000	D280S	<b>M28902-58</b> <sup>(c)</sup>	13,571	L1	41.26	1,275	94.8	400	152	1,48,52
	1500	D280M	<b>M28904-58</b> <sup>(c)</sup>	13,351	L1	42.48	1,455	95.4	400	158	1,48,52
110/150	3000	D315S	<b>M31112-58</b> <sup>(c)</sup>	16,097	L1	44.76	1,428	95.1	400	194	1,48,52
	1500	D315M	<b>M31114-58</b> <sup>(c)</sup>	15,623	L1	45.94	1,859	95.4	400	195	1,48,52
132/177	3000	D315S	<b>M31132-58</b> <sup>(c)</sup>	17,647	L1	44.76	2,016	95.4	400	228	1,48,52
	1500	D315M	<b>M31134-58</b> <sup>(c)</sup>	17,401	L1	45.94	1,859	95.5	400	235	1,48,52
160/215	3000	D315S	<b>M31162-58</b> <sup>(d)</sup>	23,471	L1	—	953	95.5	400	271	1,48,52
	1500	D315M	<b>M31164-58</b> <sup>(d)</sup>	22,961	L1	—	930	95.7	400	288	1,48,52
200/268	3000	D315M	<b>M31202-58</b> <sup>(d)</sup>	35,040	L1	—	1,107	95.5	400	339	1,48,52
	1500	D315M	<b>M31204-58</b> <sup>(d)</sup>	22,961	L1	—	1,079	95.7	400	353	1,48,52

<sup>(a)</sup> Efficiency per IEC 60034-1.

<sup>(b)</sup> See notes on inside back flap and pages 5-6.

<sup>(c)</sup> Includes 3 winding thermistors.

<sup>(d)</sup> Includes 3 winding thermistors. G28 due mid-2009

■ Cast Iron Frame

Farm Duty Motors

Definite Purpose Motors

Unit Handling Motors

Brake Motors

200 & 575 Volt Motors

IEC Frame Motors

50 Hertz Motors

Inverter/Vector Motors & Controls

DC Motors and Controls

Soft Starters & Dynamic Brakes

**Three Phase, 60 Hz,  
TEFC (IP54),  
Foot Mounted (IEC-  
B3)**

**0.18 thru 30 kW (.25 thru 40 Hp)**

**IEC D63 thru D200L**

**Applications:** Pumps, fans, conveyors, machine tools, gear reducers and other applications requiring IEC metric B3 base mount replacements.

**Features:** Conforms to IEC 60072-1 and IEC 60034-1. Conduit box mounted F-2. Rigid Base. Pressure cast aluminum end plates with ribbed design for rigidity. Ball bearings with a locked drive end bearing, heavy-gauge steel frames and gasketed conduit box. Motors with shaded rows have cast iron frames and endplates.



KW/Hp	RPM	IEC Frame	Catalog Number	List Price	Mult. Sym.	"L" Dim. (in)	Aprx. Wt. (lb)	Full Load Efficiency	Voltage	Full Load Amps	Notes (a)	
.18/.25	1800	D63	<b>MM3454</b>	261	K	10.47	20	73	230/460	0.6	2,30	
	3600	D63	<b>MM3457</b>	243	K	10.47	20	72	230/460	0.6	2,30	
.25/.33	1800	D71	<b>MM3458</b>	288	K	10.43	20	74	230/460	0.7	2,30	
	3600	D71	<b>MM3460</b>	275	K	10.43	20	72	230/460	0.6	2,30	
.37/.50	1800	D71	<b>MM3461</b>	341	K	10.43	19	71	208-230/460	1.2	2	
	3600	D71	<b>MM3463</b>	304	K	10.93	24	75.2	230/460	1.2	2,30	
.55/.75	1800	D80	<b>MM3542</b>	364	K	10.73	26	75.5	208-230/460	1.5	2	
	3600	D80	<b>MM3545</b>	360	K	10.73	25	77	208-230/460	1.5	2	
.75/1.0	1800	D80	<b>MM3546</b>	379	K	12.23	33	75.5	208-230/460	1.8	2	
	3600	D80	<b>MM3550</b>	400	K	11.35	30	82.5	208-230/460	2.1	2	
1.1/1.5	1800	D90S	<b>MM3554</b>	442	L1	13.00	37	84	208-230/460	2.1	1	
	3600	D90S	<b>MM3555</b>	477	K	13.00	39	84	208-230/460	2.6	1	
1.5/2	1800	D90L	<b>MM3558</b>	454	K	13.00	47	84	208-230/460	2.8	1	
	3600	D90L	<b>MM3559</b>	605	K	13.87	51	85.5	208-230/460	3.6	1	
2.2/3	1800	D100L	<b>MM3611</b>	545	L1	15.76	65	87.5	208-230/460	4.1	1	
	3600	D100L	<b>MM3613</b>	670	L1	15.76	65	87.5	208-230/460	5.8	1	
3.7/5	1800	D112M	<b>MM3615</b>	618	L1	16.17	79	87.5	208-230/460	7.1	1	
	3600	D132S	<b>MM3709</b>	993	L1	17.66	116	88.5	208-230/460	9	1	
5.5/7.5	1800	D132S	<b>MM3710</b>	784	L1	17.66	111	89.5	208-230/460	9.8	1	
	3600	D132S	<b>MM3711</b>	1,083	L1	17.66	125	89.5	208-230/460	11.5	1	
7.5/10	1800	D132M	<b>MM3714</b>	955	L1	18.91	127	89.5	208-230/460	12.8	1	
	11/15	1800	D160M	<b>MM2333</b>	1,533	L1	21.40	240	91	208-230/460	18.5	1
50 Hertz Motors	15/20	1800	D160L	<b>MM2334</b>	1,854	L1	23.51	270	91	230/460	24	1,30
	18.5/25	1800	D180M	<b>MM4103</b>	2,303	L1	25.68	384	92.4	230/460	29	1,30
	22/30	1800	D180L	<b>MM4104</b>	2,703	L1	25.68	421	92.4	230/460	36	1,30
	30/40	1800	D200L	<b>MM4110</b>	3,596	L1	29.35	479	93	230/460	47	1,30

(a) See notes on inside back flap and pages 5-6.

■ Cast Iron Frame

Farm Duty Motors

Definite Purpose Motors

Unit Handling Motors

Brake Motors

200 & 575 Volt Motors

IEC Frame Motors

50 Hertz Motors

Inverter/Vector Motors & Controls

DC Motors and Controls

Soft Start & Dynamic Brakes

**Three Phase, 60 Hz, 0.25 thru 7.5 kW (.33 thru 10 Hp) IEC D71D thru D132MD TEFC (IP54), Flange (IEC-B5)**

**Applications:** Pumps, fans, conveyors, machine tools, gear reducers and other applications requiring IEC metric B5 flange mount replacements.



**Features:** IEC-B5 flange mount. Conduit box mounted F-2. Conforms to IEC 60072-1 and IEC 60034-1. Pressure cast aluminum end plates with ribbed design for rigidity. Ball bearings with a locked drive end bearing, heavy-gauge steel frames and gasketed conduit box.

kW/Hp	RPM	IEC Frame	Catalog Number	List Price	Mult. Sym.	"L" Dim.(in)	Aprx. Wt. (lb)	Full Load Efficiency	Voltage	Full Load Amps	Notes (a)
.25/.33	3600	D71D	<b>MVM3457D</b>	375	K	10.74	20	72	230/460	0.6	30
	1800	D71D	<b>MVM3458D</b>	452	K	10.74	20	74	230/460	0.7	30
.37/.50	3600	D71D	<b>MVM3460D</b>	432	K	10.74	20	72	230/460	0.6	30
	1800	D71D	<b>MVM3461D</b>	455	K	10.74	20	71	230/460	1.2	1,30
.55/.75	3600	D71D	<b>MVM3463D</b>	450	K	11.24	25	75.2	230/460	1.2	2,30
	1800	D80D	<b>MVM3542D</b>	480	K	10.73	28	75.5	208-230/460	1.5	
.75/1.0	3600	D80D	<b>MVM3545D</b>	529	K	10.73	25	75.5	230/460	1.8	30
	1800	D80D	<b>MVM3546D</b>	549	K	12.23	33	75.5	208-230/460	1.8	
1.1/1.5	3600	D80D	<b>MVM3550D</b>	556	L1	11.61	37	75.5	208-230/460	2.3	
	1800	D90SD,LD	<b>MVM3554D</b>	566	L1	12.01	41	78.5	208-230/460	2.5	
1.5/2	3600	D90SD,LD	<b>MVM3555D</b>	606	L1	13.01	45	78.5	208-230/460	2.7	
	1800	D90SD,LD	<b>MVM3558D</b>	587	L1	13.01	46	82.5	208-230/460	3.1	
2.2/3	3600	D90SD,LD	<b>MVM3559D</b>	668	L1	13.01	52	82.5	208-230/460	3.8	1
	1800	D100LD	<b>MVM3611D</b>	721	L1	12.04	68	82.5	208-230/460	4.3	1
3.7/5	3600	D100LD	<b>MVM3613D</b>	826	L1	13.41	76	85.5	208-230/460	6	1
	1800	D112MD	<b>MVM3615D</b>	778	L1	13.41	81	85.5	208-230/460	6.6	1
5.5/7.5	3600	D132SD	<b>MVM3709D</b>	1,101	L1	19.35	118	84	208-230/460	9.4	1
	1800	D132SD	<b>MVM3710D</b>	982	L1	19.35	137	87.5	208-230/460	10.4	1
7.5/10	3600	D132SD	<b>MVM3711D</b>	1,305	L1	19.35	145	85.5	208-230/460	12	1
	1800	D132MD	<b>MVM3714D</b>	1,197	L1	20.48	152	87.5	208-230/460	13	2,20

(a) See notes on inside back flap and pages 5-6.

Metric dimensions are located on back flap.

Farm Duty Motors

Definite Purpose Motors

Unit Handling Motors

Brake Motors

200 & 575 Volt Motors

IEC Frame Motors

50 Hertz Motors

Inverter/Vector Motors & Controls

DC Motors and Controls

Soft Starters & Dynamic Brakes

**Three Phase,  
60 Hz, TEFC (IP54),  
B14 Face (IEC B14)**

**0.25 thru 7.5 kW (.33 thru 10 Hp) IEC D71C thru D112MC**

**Applications:** Pumps, fans, conveyors, machine tools, gear reducers and other applications requiring IEC metric B14 face mounting replacements.



**Features:** IEC-B14 face mounting. Conduit box mounted F-2. Pressure cast aluminum end plates with ribbed design for rigidity. Ball bearings with a locked drive end bearing, heavy-gauge steel frames and gasketed conduit box.

kW/Hp	RPM	IEC Frame	Catalog Number	List Price	Mult. Sym.	"L" Dim.(in)	Aprx. Wt. (lb)	Full Load Efficiency	Voltage	Full Load Amps	Notes (a)
.25/.33	1800	D71C	MVM3458C	397	K	10.74	22	74	230/460	0.7	30
	3600	D71C	MVM3460C	423	K	10.74	22	72	230/460	0.6	30
.37/.50	1800	D71C	MVM3461C	447	K	10.74	22	71	208-230/460	1.2	2
	3600	D71C	MVM3463C	440	K	11.24	26	75.5	230/460	1.4	30
.55/.75	1800	D80C	MVM3542C	469	K	11.11	25	75.5	208-230/460	1.5	
	3600	D80C	MVM3545C	520	K	11.11	24	75.5	230/460	1.8	2,30
.75/1.0	1800	D80C	MVM3546C	536	K	12.61	32	75.5	208-230/460	1.8	
	3600	D80C	MVM3550C	542	L1	11.38	33	75.5	208-230/460	2.3	
1.1/1.5	1800	D90SC	MVM3554C	556	L1	12.75	40	78.5	208-230/460	2.5	
	3600	D90SC,LC	MVM3555C	596	L1	13.75	45	78.5	208-230/460	2.7	
1.5/2	1800	D90LC	MVM3558C	571	L1	13.75	45	82.5	208-230/460	3.1	
	3600	D90LC	MVM3559C	653	L1	13.75	53	82.5	208-230/460	3.8	1
2.2/3	1800	D100SC,MC	MVM3611C	707	L1	14.52	61	82.5	208-230/460	4.3	1
	3600	D100SC,MC	MVM3613C	812	L1	15.89	69	85.5	208-230/460	6	1
3.7/5	1800	D112SC,MC	MVM3615C	763	L1	15.89	76	85.5	208-230/460	6.6	1

(a) See notes on inside back flap and pages 5-6.

Farm Duty Motors

Definite Purpose Motors

Unit Handling Motors

Brake Motors

200 & 575 Volt Motors

IEC Frame Motors

50 Hertz Motors

Inverter/Vector Motors & Controls

DC Motors and Controls

Soft Start & Dynamic Brakes

**SSE Stainless,  
Three Phase,  
Totally Enclosed,  
C-Face, 50Hz**

**0.37 thru 1.5 kW**

**IEC D80D thru D90C**

**Applications:** Food processing, packaging, outdoor and highly corrosive environments.

**Features:** Class F insulated motor with 1.15 service factor or higher that operates within class “B” temperature limits at rated horsepower. All external surfaces 300 series stainless steel: motor frame, endplates, conduit box, shaft and base. Moisture resistant 200°C ISR® magnet wire. Hydrophobic aspiration system eliminates condensation from inside the motor. Endplate rabbets have O-ring seals to band. Conduit box is welded to the motor frame. Patented bearing seal to protect motor bearings, inside and out. Epoxy encapsulation prevents any moisture from reaching the windings as well as potting the passage between the band and the conduit box. Nameplate information is laser etched on the band. Catalog numbers also etched on both sides. Especially effective in highly corrosive environments where paint or other finishes do not hold up. NEMA Premium® efficiency and 3-year warranty.



kW	RPM	IEC Frame	Enclosure	Catalog Number	List Price	Mult. Sym.	“C” Dim.	Aprx. Wt. (lb)	Full Load Efficiency	Voltage <sup>(a)</sup>	Full Load Amps <sup>(b)</sup>	Notes <sup>(c)</sup>
<b>B14, C-Face, Foot Mounted</b>												
1.1/1.5	1500	D90C	TEFC	<a href="#">CSSEWDM90114C-57</a>	1,485	WD	14.36	24	88.5	240/380-415	2.5	1
1.5/2	1500	D90C	TEFC	<a href="#">CSSEWDM90154C-57</a>	1,798	WD	15.74	25	88.5	240/380-415	3.2	1
<b>B5, Flange, Footless</b>												
0.37/0.5	1500	D80D	TENV	<a href="#">VSSEWDM80044D-57</a>	1,324	WD	10.92	46	80	240/380-415	0.8	1,60
0.55/0.75	1500	D80D	TENV	<a href="#">VSSEWDM80064D-57</a>	1,370	WD	11.92	51	81.5	240/380-415	1.2	1,60
0.75/1	1500	D80D	TENV	<a href="#">VSSEWDM80084D-57</a>	1,447	WD	—	54	75.5	240/380-415	1.9	1,60
1.1/1.5	1500	D90D	TEFC	<a href="#">VSSEWDM90114D-57</a>	1,459	WD	—	61	85.9	240/380-415	2.3	1
1.5/2	1500	D90D	TEFC	<a href="#">VSSEWDM90154D-57</a>	1,773	WD	—	61	87	240/380-415	3.1	1

<sup>(a)</sup> Voltage @ 50 Hz, usable on 460 Volt 60 Hz.  
<sup>(b)</sup> Full load amps @ 400 volt nominal - 50 Hz.  
<sup>(c)</sup> See notes on inside back flap and pages 5-6.  
 Above data subject to revision without notice.

Farm Duty Motors

Definite Purpose Motors

Unit Handling Motors

Brake Motors

200 & 575 Volt Motors

IEC Frame Motors

50 Hertz Motors

Inverter/Vector Motors & Controls

DC Motors and Controls

Soft Starters & Dynamic Brakes



**Three Phase,  
50 Hz, TEFC (IP54),  
B3 Face (IEC B5, B14)**

**0.56 thru 15 kW (.75 thru 20 Hp)**

**IEC D80 thru D160L**

**Applications:** Pumps, fans, conveyors, machine tools, gear reducers and other applications requiring IEC metric motor replacements.

**Features:** CE certified. Conforms to IEC 60072-1 and IEC 60034-1. Includes terminal blocks.



Farm Duty Motors

Definite Purpose Motors

Unit Handling Motors

Brake Motors

200 & 575 Volt Motors

IEC Frame Motors

50 Hertz Motors

Inverter/Vector Motors & Controls

DC Motors and Controls

Soft Start & Dynamic Brakes

kW/HP	RPM	IEC Frame	Catalog Number	List Price	Mult. Sym.	"C" Dim.	Aprx. Wt. (lb)	Full Load Efficiency	Voltage	Full Load Amps	Notes (a)
<b>B3, Foot Mounted</b>											
.75/1.0	1800	D80	MM3546-50	418	K	12.73	36	74	230/400	2	2,6,20
1.5/2	1800	D90L	MM3558-50	500	K	13.87	47	80	230/400	3.2	2,6,20
2.2/3	1800	D100L	MM3611-50	599	L1	16.20	66	81.5	230/400	4.7	2,6,20
3.7/5	1800	D112M	MM3615-50	680	L1	17.67	89	84	230/400	7.8	2,6,20
5.5/7.5	1800	D132S	MM3710-50	863	L1	17.66	85	85.5	400	11.5	2,11,20,25
7.5/10	1800	D132M	MM3714-50	1,051	L1	18.79	146	86.5	400	15.7	2,11,20,25
11/15	1800	D160M	MM2333-50	1,685	L1	21.41	235	86.5	400	23.7	2,6,20,25
15/20	1800	D160L	MM2334-50	2,040	L1	23.51	285	89.5	400	29	2,6,20,25
<b>B5, Flange Mounted</b>											
.55/.75	1800	D80D	MVM3542D-50	529	K	11.35	30	76	230/400	1.7	
1.5/2	1800	D90SD,LD	MVM3558D-50	646	L1	13.89	53	80	230/400	3.2	2,20
2.2/3	1800	D100LD	MVM3611D-50	794	L1	13.41	75	81.5	230/400	4.7	2,20
3.7/5	1800	D112MD	MVM3615D-50	857	L1	14.91	95	84	230/400	8.1	2,20
5.5/7.5	1800	D132SD	MVM3710D-50	1,081	L1	18.17	129	85.5	400	11.5	2,20,25
7.5/10	1800	D132MD	MVM3714D-50	1,316	L1	20.52	169	86.5	400	15.7	2,20,25
11/15	1800	D160MD	MVM2333D-50	1,571	L1	25.36	236	90.2	400	22	2,20,25
15/20	1800	D160LD	MVM2334D-50	1,935	L1	25.36	319	88	400	30	2,20,25
<b>B14, Flange Mounted</b>											
1.5/2	1800	D90LC	MVM3558C-50	630	L1	14.66	54	80	230/400	3.2	2,20
2.2/3	1800	D100LC	MVM3611C-50	778	L1	15.89	71	81.5	230/400	4.7	2,20
3.7/5	1800	D112MC	MVM3615C-50	840	L1	17.39	93	84	230/400	7.8	2,20
5.5/7.5	1800	D132SC	MVM3710C-50	1,065	L1	21.85	134	85.5	400	11.5	2,20
7.5/10	1800	D132MC	MVM3714C-50	1,302	L1	22.97	166	86.5	400	15.7	2,20,25

(a) See notes on inside back flap and pages 5-6.

Custom IEC frame motors are available through 1,680 kW (2,250 Hp) in TEFC enclosures and 11,200 kW (15,000 Hp) in ODP/WPII enclosures. Contact your local Baldor•Reliance Sales Representative.

■ Cast Iron Frame

**Single Phase,  
NEMA Frame,  
TEFC and ODP,  
Foot Mounted**

**1/3 thru 5 Hp**

**NEMA 48 thru 213T**

**Applications:** Applications where only 50 hertz power is available. Motors are designed to be used at rated voltages with tolerance of ± 15% on voltage.

**Features:** CE certified. Windings tied each end at every slot for rigidity. Ball bearings, high temperature insulation, copper windings.



Hp	RPM 50 Hz.	NEMA Frame	Catalog Number	List Price	Mult. Sym.	"C" Dim.	Aprx. Wt. (lb)	Full Load Efficiency	Voltage	Full Load Amps	Notes (a)
<b>Totally Enclosed Fan Cooled, IP54</b>											
1/3	1500	56	L3501-50	351	K	11.35	25	59	110/220	3.2	1
1/2	3000	56	L3503-50	343	K	11.35	27	68	110/220	3.3	
	1500	48	L3409-50	400	K	12.23	32	62	110/220	3.6	
			56	L3504-50	400	K	12.85	33	62	110/220	3.6
3/4	3000	56	L3506-50	384	K	12.25	35	62	110/220	4.6	
	1500	56	L3507-50	475	K	13.25	38	66	110/220	5	
1	3000	56	L3509-50	447	K	13.25	41	68	110/220	6.3	
	1500	56	L3510-50	547	K	14.12	43	68	110/220	6.2	
1 1/2	3000	56	L3513-50	588	K	14.12	46	68	110/220	9	1
	1500	56	L3514-50	618	K	14.13	47	73	110/220	8	
		145T	L3514T-50	618	L1	14.18	50	73	110/220	8	
2	3000	56	L3515-50	765	K	14.13	52	77	110/220	9.7	1
	1500	182T	L3605T-50	875	L1	16.56	78	81	110/220	10	
3	1500	184T	L3609T-50	1,029	L1	18.06	92	84.5	110/220	12.5	2
5	1500	213T	L3708T-50	1,231	L1	17.89	132	84	220	22	2
<b>Open Drip Proof, IP22</b>											
1/3	3000	48	L1205-50	259	K	9.13	22	64.9	110/220	2.6	
	1500	48	L1206-50	316	K	9.38	24	62	110/220	2.3	
1/2	3000	48	L1208-50	285	K	9.75	26	68	110/220	3.3	
	1500	48	L1209-50	397	K	10.63	28	62	110/220	3.7	
		56	L1304-50	360	K	11.01	29	62	110/220	3.7	
3/4	3000	56	L1306-50	348	K	11.01	29	64	110/220	5.3	
	1500	56	L1307-50	445	K	12.07	35	66	110/220	5	
1	3000	56	L1309-50	366	K	11.51	35	66	110/220	6	
	1500	56	L1318-50	542	K	12.07	39	68	110/220	6.5	2
1 1/2	3000	56	L1313-50	514	K	12.07	40	68	110/220	9.2	
	1500	56	L1319-50	626	K	12.07	37	68	110/220	11.5	2
2	3000	56	L1317-50	685	K	12.94	44	70	110/220	12	2
	1500	182T	L1405T-50	727	L1	15.00	65	69	110/220	14	2
3	1500	184T	L1408T-50	786	L1	16.50	89	75.5	110/220	16	
5	1500	213T	L1508T-50	1,231	L1	16.32	113	82.5	220	21.6	2

(a) See notes on inside back flap and pages 5-6.

IP22 = Open Drip Proof, IP54 = Totally Enclosed Fan Cooled.  
For IEC Frame 50 Hz single phase motors, contact Baldor.

**ALL MOTORS LISTED ABOVE ARE SPECIFICALLY DESIGNED FOR OPERATION WITH 50 HZ. POWER. THREE PHASE, 50 HZ. MOTORS SHOWN IN THIS CATALOG ARE SUITABLE FOR USE ON 400 VOLT OR 415 VOLT 50 HZ. POWER SUPPLIES.**

Farm Duty  
Motors

Definite Purpose  
Motors

Unit Handling  
Motors

Brake Motors

200 & 575 Volt  
Motors

IEC Frame  
Motors

50 Hertz  
Motors

Inverter/Vector  
Motors & Controls

DC Motors  
and Controls

Soft Starters &  
Dynamic Brakes

**Three Phase,  
NEMA Frame,  
TEFC and ODP,  
Foot Mounted**

1/2 thru 60 Hp

NEMA 56 thru 364T

**Applications:** Applications where only 50 hertz power is available. Motors are designed to be used at rated voltages with tolerance of ± 15% on voltage.

**Features:** CE certified. Windings tied each end at every slot for rigidity. Ball bearings, high temperature insulation, copper windings.



Hp	RPM 50 Hz.	NEMA Frame	Catalog Number	List Price	Mult. Sym.	"C" Dim.	Aprx. Wt. (lb)	Full Load Efficiency	Voltage	Full Load Amps	Notes (a)
<b>Totally Enclosed Fan Cooled, IP54</b>											
1/2	1500	56	M3538-50	375	K	11.35	25	74	220/380/440	1	
3/4	3000	56	M3541-50	375	K	11.35	22	72	220/380/440	1.35	
	1500	56	M3542-50	401	K	12.85	32	75.5	220/380/440	1.4	
1	3000	56	M3545-50	456	K	11.35	27	80	220/380/440	1.7	
	1500	143T	M3546T-50	467	L1	12.31	32	78.5	220/380/440	1.7	2
1 1/2	3000	143T	M3550T-50	530	L1	12.31	36	81.5	220/380/440	2.2	
	1500	145T	M3554T-50	475	L1	13.31	39	81.5	220/380/440	2.2	1
2	3000	145T	M3555T-50	582	L1	13.31	42	80	220/380/440	2.8	2
	1500	145T	M3558T-50	501	L1	14.19	48	81.5	220/380/440	3	1
3	3000	182T	M3610T-50	742	L1	15.14	57	81.5	220/380/440	4.2	1
	1500	182T	M3611T-50	589	L1	16.54	65	84	220/380/440	3.9	2,20
5	3000	184T	M3613T-50	854	L1	16.54	74	85	220/380/440	6.5	2
	1500	184T	M3615T-50	680	L1	18.04	89	84	220/380/440	7	2,20
7 1/2	3000	213T	M3709T-50	1,257	L1	17.89	116	86.5	220/380/440	9.8	1
	1500	213T	M3710T-50	864	L1	17.89	114	87.5	220/380/440	10.6	2,20
10	3000	215T	M3711T-50	1,316	L1	17.89	126	85.5	220/380/440	12.5	1
	1500	215T	M3714T-50	1,051	L1	19.01	134	88.5	220/380/440	14	2,20
15	1500	254T	M2333T-50	1,846	L1	21.07	236	88.5	220/380/440	21	2,20
20	1500	256T	M2334T-50	2,228	L1	23.35	277	90.2	220/380/440	25	1
25	1500	284T	M4103T-50	3,137	L1	26.08	315	91.7	220/380/440	31	1
30	1500	286T	M4104T-50	3,708	L1	27.76	416	90.2	220/380/440	40	1
40	1500	324T	M4110T-50	4,850	L1	30.28	586	91.7	220/380/440	49	1
50	1500	326T	M4115T-50	5,266	L1	30.28	637	92.4	220/380/440	61	1
60	1500	364T	M4314T-50	6,847	L1	32.84	809	92.4	220/380/440	75	1
<b>Open Drip Proof, IP22</b>											
1/2	1500	56	M3108-50	330	K	10.12	25	74	220/380/440	1	
3/4	1500	56	M3112-50	367	K	10.12	26	72	220/380/440	1.8	
1	1500	56	M3116-50	415	K	11.07	27	74	220/380/440	1.8	
		143T	M3116T-50	418	L1	11.12	31	78.5	220/380/440	1.7	2
1 1/2	1500	145T	M3154T-50	444	L1	11.12	31	74	220/380/440	2.7	
2	1500	145T	M3157T-50	456	L1	12.13	38	77	220/380/440	3.3	2,20
3	1500	182T	M3211T-50	522	L1	13.62	55	78.5	220/380/440	4.6	
5	1500	184T	M3218T-50	577	L1	16.50	82	84	220/380/440	7.2	1
7 1/2	1500	213T	M3311T-50	818	L1	16.32	109	85.5	220/380/440	11.4	
10	1500	215T	M3313T-50	1,001	L1	16.32	122	87	220/380/440	14.1	2
15	1500	254T	M2513T-50 (b)	1,513	L1	20.51	192	88.5	220/380/440	21	2
20	1500	256T	M2515T-50 (b)	1,948	L1	21.69	213	88.5	220/380/440	27	

(a) See notes on inside back flap and pages 5-6.

(b) Conduit box location is at 12 o'clock and can be rotated.

IP22 = Open Drip Proof, IP54 = Totally Enclosed Fan Cooled.

For IEC Frame 50 Hz motors, see page 184.

**ALL MOTORS LISTED ABOVE ARE SPECIFICALLY DESIGNED FOR OPERATION WITH 50 HZ. POWER. THREE PHASE, 50 HZ. MOTORS SHOWN IN THIS CATALOG ARE SUITABLE FOR USE ON 400 VOLT OR 415 VOLT 50 HZ. POWER SUPPLIES.**

■ Cast Iron Frame

Farm Duty  
Motors

Definite Purpose  
Motors

Unit Handling

Brake Motors

200 & 575 Volt  
Motors

IEC Frame  
Motors

50 Hertz  
Motors

Inverter/Vector  
Motors & Controls

DC Motors  
and Controls

Soft Start &  
Dynamic Brakes

**Single and Three Phase, NEMA Frame, TEFC, C-Face, Footless**

**1/4 thru 2 Hp**

**NEMA 56C thru 145TC**

**Applications:** Pumps, fans, gear reducers, conveyors and many other applications with 50 Hz power supply. Motors are designed to be used at rated voltages with tolerance of ± 15% on voltage.

**Features:** CE certified. Heavy gauge steel frame construction, pressure-cast aluminum endplates with machined steel bearing inserts for extended bearing life.



Hp	RPM 50 Hz.	NEMA Frame	Catalog Number	List Price	Mult. Sym.	"C" Dim.	Aprx. Wt. (lb)	Full Load Efficiency	Voltage	Full Load Amps	Notes (a)
<b>Single Phase, IP54</b>											
1/3	1500	56C	VL3501-50	385	K	11.35	24	59	110/220	3.2	1
	3000	56C	VL3503-50	349	K	11.35	25	68	110/220	3.3	
1/2	1500	56C	VL3504-50	448	K	12.85	32	62	110/220	3.6	
	3000	56C	VL3506-50	404	K	12.25	35	62	110/220	4.6	
3/4	1500	56C	VL3507-50	530	K	13.25	36	66	110/220	5	
	3000	56C	VL3509-50	474	K	13.25	40	68	110/220	6.3	
1	1500	56C	VL3510-50	606	K	14.12	44	68	110/220	6.2	
	3000	56C	VL3513-50	611	K	14.12	50	68	110/220	9	1
1 1/2	1500	56C	VL3514-50	685	K	14.12	47	73	110/220	8	
	3000	56C	VL3515-50	775	K	14.12	52	77	110/220	9.7	1
<b>Three Phase, IP54</b>											
1/4	1500	56C	KM3454-50	303	K	11.35	19	63	220/380/440	0.65	
1/3	1500	56C	VM3534-50	342	K	11.35	20	67	220/380/440	0.7	
1/2	3000	56C	VM3537-50	372	K	11.35	23	75.5	220/380/440	1	
	1500	56C	VM3538-50	401	K	11.35	25	74	220/380/440	1	
3/4	3000	56C	VM3541-50	388	K	11.35	22	72	220/380/440	1.35	
	1500	56C	VM3542-50	430	K	12.85	32	75.5	220/380/440	1.4	
1	3000	56C	VM3545-50	461	K	11.35	26	80	220/380/440	1.7	
	1500	56C	VM3546-50	456	K	12.23	37	78.5	220/380/440	2.3	
		143TC	VM3546T-50	456	L1	12.31	35	78.5	220/380/440	1.7	
1 1/2	3000	143TC	VM3550T-50	501	L1	12.31	36	81.5	220/380/440	2.2	
	1500	145TC	VM3554T-50	474	L1	13.31	39	81.5	220/380/440	2.2	1
2	3000	56C	VM3555-50	498	K	12.85	33	78	220/380/440	2.8	
		145TC	VM3555T-50	548	L1	13.31	41	80	220/380/440	2.8	
	1500	145TC	VM3558T-50	503	L1	14.19	46	81.5	220/380/440	3	1

(a) See notes on inside back flap and pages 5-6.  
 IP54 = Totally Enclosed Fan Cooled.  
 For IEC Frame 50 Hz motors, see page 184.

**ALL MOTORS LISTED ABOVE ARE SPECIFICALLY DESIGNED FOR OPERATION WITH 50 HZ. POWER. THREE PHASE, 50 HZ. MOTORS SHOWN IN THIS CATALOG ARE SUITABLE FOR USE ON 400 VOLT OR 415 VOLT 50 HZ. POWER SUPPLIES.**

Farm Duty Motors

Definite Purpose Motors

Unit Handling

Brake Motors

200 & 575 Volt Motors

IEC Frame Motors

50 Hertz Motors

Inverter/Vector Motors & Controls

DC Motors and Controls

Soft Starters & Dynamic Brakes

**Single and Three Phase, NEMA Frame, Explosion Proof, C-Face, Foot Mounted**

1/3 thru 2 Hp

NEMA 56C thru 182TC

**Applications:** Pumps, blowers, valves.

**Features:** Corrosion resistant epoxy finish. Positively locked drive end bearing. UL approved cast conduit box, standard. 1.00 Service Factor. UL and CSA approved for Class I, Group D or Class II, Group F & G. Rated for ±15% voltage variation.



Hp	RPM 50 Hz.	NEMA Frame	Catalog Number	XP (a) Cls/Grp	List Price	Mult. Sym.	"C" Dim.	Aprx. Wt. (lb)	Full Load Efficiency	Voltage	Full Load Amps	Notes (b)
<b>Single Phase, IP54</b>												
1/3	1500	56C	CL5001A-50	Ⓢ	767	K	14.22	35	59.5	110/220	2.6	2
1/2	1500	56C	CL5004A-50	Ⓢ	768	K	15.22	43	62	110/220	3.6	2
3/4	1500	56C	CL5007A-50	Ⓢ	893	K	15.17	52	70	110/220	4.8	2,12
1	1500	56C	CL5023-50	Ⓢ	944	K	15.17	54	68	110/220	6.2	2
2	1500	182TC	CL5027T-50	Ⓢ	2,093	L1	20.36	113	77	110/220	11.5	2,62
<b>Three Phase, IP54</b>												
1/2	1500	56C	CM7006-50	Ⓢ	836	K	14.22	37	74	220/380/440	1	
3/4	1500	56C	CM7010-50	Ⓢ	855	K	15.22	43	75.5	220/380/440	1.4	
1	3000	56C	CM7013-50	Ⓢ	865	K	14.22	36	80	220/380/440	1.7	
	1500	56C	CM7014-50	Ⓢ	915	K	15.22	45	74	220/380/440	1.8	
1 1/2	3000	143TC	CM7018T-50	Ⓢ	983	L1	14.36	46	81.5	220/380/440	2.2	
	1500	143TC	CM7034T-50	Ⓢ	1,008	L1	15.23	48	81.5	220/380/440	2.2	
2	3000	145TC	CM7071T-50	Ⓢ	1,018	L1	15.23	52	80	220/380/440	2.8	2
	1500	145TC	CM7037T-50	Ⓢ	1,089	L1	16.10	54	81.5	220/380/440	3	

(a) See explosion proof symbols on inside back flap.

(b) See notes on inside back flap and pages 5-6.

For IEC Frame 50 Hz motors, see page 184.

**THESE EXPLOSION PROOF MOTORS ARE NOT SUITABLE FOR USE WITH ADJUSTABLE SPEED DRIVES. INVERTER DUTY EXPLOSION PROOF MOTORS MUST BE USED. SEE PAGE 206.**

**CAUTION:** Explosion-proof motors have a tight fit between mating parts to ensure the integrity of the explosion-proof enclosure. This can lead to an accumulation of moisture inside the motors due to condensation. Care should be used when selecting an explosion-proof motor, especially when installed outdoors and on intermittent duty. See notes on pages 5-6.

Farm Duty Motors

Definite Purpose Motors

Unit Handling

Brake Motors

200 & 575 Volt Motors

IEC Frame Motors

50 Hertz Motors

Inverter/Vector Motors & Controls

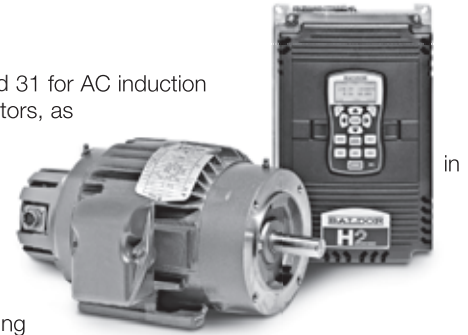
DC Motors and Controls

Soft Start & Dynamic Brakes

## AC Motor Adjustable Speed Range Capabilities

### Inverter Drive® and Vector Drive® Motors

Inverter Drive® and Vector Drive® Motors exceed all requirements of NEMA MG-1 Parts 30 and 31 for AC induction motors powered from adjustable speed controls. Definite-Purpose Inverter-Fed Polyphase Motors, as defined for Inverter Drive Motors are suitable for variable torque applications and rated 1000:1 for constant torque (except for those Inverter Duty motors rated for use hazardous locations). Vector Drive motors are capable of full, rated torque at 0 RPM, continuous duty. Satisfactory motor performance depends on proper drive setup.



It is necessary that motor-drive applications are commissioned by persons familiar with the operation and setup of adjustable speed drives, applicable electrical codes and any other regulations. Each drive must be tuned to the motor for the specific application. System operating parameters must be checked, including voltage at motor power leads, to insure that motor/drive set up has been successfully completed. Applications that are not properly set up can lead to substandard performance and failure of system components. In some installations, shaft grounding and isolated bearings may prevent bearing fluting and are available as an option or through Mod Express®.

### Super-E® Motors

Super-E motors are Inverter-Ready and meet NEMA MG 1 Part 31.4.4.2. Super-E motors are suitable for use with inverter drives in applications with variable torque and with a constant torque up to a 20:1 speed range except as noted below. Motor inverter setup is unique to each specific application. Setup and correct wiring procedures must be closely followed.

### Standard-E® Motors

Standard-E EPA efficient motors are suitable for use in adjustable speed applications per NEMA MG 1 Part 31.4.4.2. With proper motor-inverter setup, Standard-E motors are suitable for use at 20:1 variable torque and 4:1 constant torque applications.

**Note:** Use of explosion proof motors with inverters should be limited to Inverter-Duty Explosion proof motors only. Contact your local Baldor•Reliance District Office for application questions regarding your specific application.

Family	Frame Size	Constant Torque	Variable Torque	Comments
<b>Super-E Motors 230, 460 and 575 Volts</b>				
EM (TEFC)	56 - 365 (1) 404 - 449 (1)	20:1 10:1	20:1 20:1	General Purpose Premium Efficiency
EM (ODP)	143 - 445	20:1	20:1	General Purpose Premium Efficiency
ECP/XEX	145	20:1	20:1	Severe Duty Premium Efficiency
	180-210	10:1	10:1	
	250-445 447-449	4:1 (2) 2:1 (2)	10:1 10:1	
ECP8/841XL	145	20:1	10:1	Severe Duty Premium Efficiency May not meet temp rise as specified in IEEE-841 when used with ASD.
	180-210	10:1	10:1	
	250-445 447-449	4:1 (2) 2:1 (2)	10:1 10:1	
EWDM	56 - 215 (1)	20:1	20:1	Washdown Duty Premium Efficiency
<b>Standard-E Motors 230, 460 and 575 Volts</b>				
M (TEFC)	56 - 5009 (1)	4:1	20:1	General Purpose
M (ODP)	56 - 5009 (1)	4:1	20:1	General Purpose
CP/XT	145	20:1	20:1	Severe Duty
	180-445	— (3)	10:1	
	447-449	4:1	10:1	
WDM	56 - 215 (1)	4:1	20:1	Washdown Duty
<b>Inverter Duty and Vector Duty Motors 230, 460 and 575 Volts</b>				
<b>V*S Master</b>				
IDNVSM (TENV)	56 - 256	1000:1	1000:1	Inverter Duty TENV V*S Master
IDVSM (TEFC)	182 - 449	1000:1	1000:1	Inverter Duty TEFC V*S Master
ZDNVSM (TENV)	56 - 256	1000:1	1000:1	Vector Duty TENV V*S Master
ZDVSM (TEFC)	182 - 449	1000:1	1000:1	Vector Duty TEFC V*S Master
ZDVSCP	143 - 326	1000:1	1000:1	Vector Duty TEFC - XT V*S Master
<b>RPMAC</b>				
IDRPMN (TENV)	FL1838 - FL2162	1000:1	1000:1	Inverter Duty TENV RPMAC
IDRPM (TEFC, TEBC, DPGFV)	FL1844 - L4461	1000:1	1000:1	Inverter Duty TEFC, TEBC, DPG-FV RPMAC
ZDRPM (TENV)	FL1838 - FL2162	1000:1	1000:1	Vector Duty TENV RPMAC
ZDRPM (TEFC, TEBC)	FL1844 - L4022	1000:1	1000:1	Vector Duty TEFC, TEBC RPMAC
ZDPM (TEBC)	FL1831 - FL2890	1000:1	1000:1	Vector Duty TEBC Permanent Magnet PM RPMAC
IDM (TEBC)	143 - 5009	1000:1	1000:1	Inverter Duty/Blower cooled
IDNM (TENV)	143 - 256	1000:1	1000:1	Inverter Duty/Non-Vented
ZDM (TEBC)	143 - 5009	1000:1	1000:1	Vector Duty/Blower Cooled
ZDNM (TENV)	143 - 256	1000:1	1000:1	Vector Duty/Non Vented
IDXN (2 families)	182 - 405	2:1	10:1	Explosion Proof Inverter Duty
	56 - 405	10:1	10:1	
IDWNM	143 - 254	20:1	1000:1	Washdown Duty Inverter Duty/Non Vented
ZDWNM	143 - 254	1000:1	1000:1	Washdown Duty Vector Duty/Non Vented

(1) Baldor type 35M and larger. (2) CT: 6 to 60Hz available with fan change thru Mod Express. (3) CT: 30 to 60Hz available with fan change thru Mod Express. Specific motor ratings may in fact be capable of greater frequency range for Constant Torque applications. If required please contact your local Baldor•Reliance Sales Office.

Farm Duty  
Motors

Definite Purpose  
Motors

Unit Handling  
Motors

Brake Motors

200 & 575 Volt  
Motors

IEC Frame  
Motors

50 Hertz  
Motors

Inverter/Vector  
Motors & Controls

DC Motors  
and Controls

Soft Starters &  
Dynamic Brakes



**RPM AC,  
Salient Pole  
PM Rotor,  
Three Phase,  
TEBC**

**10 thru 150 Hp**

**FL1831C thru FL2890**

**Applications:** Extruders, conveyors, crane & hoist systems, converting, pumps, web processing, test stands, traction duty, winders, printing.

**Features:** Above premium efficient design utilizing salient pole PM rotor technology to achieve high efficiency, low FLA and optimized power factor. Synchronous speed performance in a compact square frame design FL180 aluminum and FL210-280 laminated steel frame design. Must be applied with drive from page 191-192 specifically designed for permanent magnet rotor performance, feedback control normally required. Continuous constant torque from base speed down to zero speed 1000:1 turn down. Premium class H insulation 40 C ambient, 1.0 S.F., ball bearings, three normally closed thermostats (one per phase). Surpasses the requirements of MG1, Part 31. Exclusive optimum pole Inverter Duty - not for across the line operation.



Hp	RPM	NEMA Frame	Catalog Number	List Price	Mult. Sym.	"C" Dim.	Aprx. Wt. (lb)	Full Load Efficiency <sup>(a)</sup>	Voltage	Full Load Amps <sup>(a)</sup>	Rotor Inertia lb-ft <sup>2</sup>	Notes <sup>(b)</sup>
10	1800	FL1831C	ZDPM18010C-BV <sup>(c)</sup>	6,413	E2	27.50	135	93.6	230/460	11.17	0.46	8, 77
15	1800	FL1838C	ZDPM18015C-BV <sup>(d)</sup>	6,558	E2	29.00	143	94.3	460	16.15	0.63	8, 77
20	1800	FL1844C	ZDPM18020C-BV <sup>(d)</sup>	7,027	E2	30.50	180	95.3	460	22.53	0.77	8, 77
25	1800	FL1852C	ZDPM18025C-BV <sup>(d)</sup>	7,933	E2	32.50	209	95	460	26.74	0.96	8, 77
30	1800	FL1852C	ZDPM18030C-BV <sup>(d)</sup>	8,194	E2	32.50	209	95	460	32.59	0.96	8, 77
40	1800	FL2162	ZDPM21040-BV <sup>(e)</sup>	8,467	E2	33.50	290	95.9	460	44.68	2.14	8, 77
50	1800	FL2168	ZDPM21050-BV <sup>(e)</sup>	10,293	E2	35.00	330	95.7	460	54.83	2.60	8, 77
60	1800	FL2173	ZDPM21060-BV <sup>(e)</sup>	12,653	E2	36.00	355	95.6	460	66.77	2.99	8, 77
75	1800	FL2578	ZDPM25075-BV <sup>(e)</sup>	14,724	E2	38.50	540	96.4	460	82.29	4.90	8, 77
100	1800	FL2586	ZDPM25100-BV <sup>(e)</sup>	19,012	E2	40.50	605	96.5	460	110.42	5.83	8, 77
125	1800	FL2882	ZDPM28125-BV <sup>(e)</sup>	23,214	E2	43.61	730	95.9	460	136.9	9.43	8, 77
150	1800	FL2890	ZDPM28150-BV <sup>(e)</sup>	30,433	E2	45.61	805	96.2	460	163.4	11.16	8, 77

<sup>(a)</sup> The data - including efficiency - is for fundamental sinewave components of amps and volts and does not include losses due to inverter pwm waveshapes.

<sup>(b)</sup> See notes on inside back flap and pages 5-6.

<sup>(c)</sup> Foot mounted and 210TC face.

<sup>(d)</sup> Foot mounted and 250TC face.

<sup>(e)</sup> Foot mounted only.

All TEBC have integral blower rated 230/460 volts 3 phase.

See VS1PM Drives on next page for matched performance drive.

Farm Duty Motors

Definite Purpose Motors

Unit Handling Motors

Brake Motors

200 & 575 Volt Motors

IEC Frame Motors

50 Hertz Motors

Inverter/Vector Motors & Controls

DC Motors and Controls

Soft Start & Dynamic Brakes

**VS1PM Permanent Magnet Drive**



**10 Hp  
10 thru 200 Hp**

**230 VAC  
460 VAC**

**3 Phase - 50/60 Hz  
3 Phase - 50/60 Hz**

**Applications:** Constant or Variable Torque Applications. New installations and original equipment manufactures (OEM).

**Features:** Exclusively for use with our RPMAC Interior Permanent Magnet Motors. Very high efficiency motor/drive packages. NEMA 1 Enclosures. Output frequency 0 to 66 Hz with peak overload capacity of 175%. Built-in two and three input PID process control loop. Automatically tuned to Baldor RPMAC Interior PM Motors. Uses same Graphic Keypad and Expansion Boards as the VS1SP/GV Families.

<b>Output Ratings</b>	Horsepower	10 HP @ 230VAC, 3PH; 10-150 HP @ 460VAC, 3PH
	Overload Capacity	Heavy Duty (Constant Torque) = 150% for 60 seconds, 175% for 3 seconds Normal Duty (Variable Torque) = 115% for 60 seconds
	Frequency	0-66 Hz
	Voltage	0-Maximum input voltage (RMS)
<b>Input Ratings</b>	Frequency	50 or 60 Hz ±5%
	Voltage	230 = 180-234 & 460 = 340-528
	Phase	Three Phase (single phase with derating)
	Impedance	1% minimum from mains connection
<b>Control Spec</b>	Control Method	Microprocessor controlled PWM output, selectable closed loop vector, encoderless vector or V/Hz inverter
	PWM Frequency	Adjustable 1.5-5kHz STD, 5-16 kHz quiet
	Speed Setting	±5 VDC, 0-5 VDC ±10 VDC, 0-10 VDC, 4-20 mA or 0-20 mA; digital (keypad), Serial Comms/USB 2.0, and Modbus RTU
	Accel/Decel	0-3600 sec
	Brake Torque	20% standard on Sizes AA and B, 1% standard on Size C, D
	Motor Matching	Automatic tuning to motor with manual override
	PC Setup Software	Mint WorkBench Software available using the USB 2.0 port for commissioning wizard, firmware download, parameter viewer scope capture and cloning.
	Maximum Output Frequency	500 Hz
	Selectable Operating Modes	Keypad, Standard Run, 2-Wire, Standard Run 3-Wire, 15 Preset Speeds, Fan Pump 2-Wire, Fan Pump 3-Wire, Process Control, 3-SPD ANA 2-Wire, 3-SPD ANA 3-Wire, Electronic Pot 2-Wire, Electronic Pot 3-Wire, Network Profile Run, Bipolar
	<b>Motor Feedback</b>	Feedback Type
<b>Protective Functions</b>		
<b>Protective Functions</b>	Trip	Missing control power, over current, over voltage, under voltage, over temperature (motor or control), output shorted or grounded, motor overload, encoder loss.
	Stall Prevention	Over voltage suppression, overcurrent suppression
	External Output	LED trip condition indicators, 4 assignable logic outputs, 2 assignable analog outputs
	Short Circuit	Phase to phase, phase to ground
<b>Environmental Conditions</b>	Electronic Motor Overload	Meets UL508C (T)
	Temperature	10 to 45°C. Derate 3% per °C to maximum ambient temperature of 55°C.
	Cooling	Forced air
	Enclosure	NEMA 1 (-1B)
	Altitude	Sea level to 3300 Feet (1000 Meters) Derate 2% per 1000 Feet (303 Meters) above 3300 Feet
	Humidity	NEMA 1: 10 to 90% RH Non-Condensing
	Shock/Vibration	1G / 0.5G at 10Hz to 60Hz
	Storage Temperature	-10 to +65°C
<b>Keypad Display</b>	Display	LCD Graphical 128x64 Pixel
	Keys	14 key membrane with tactile feedback
	Functions	Output status monitoring, Digital speed control, Parameter setting and display, Diagnostic and Fault log display, Motor run and jog, Local/Remote toggle, One-step tuning
	LED Indicators	Forward run command, Reverse run command, Stop command, Jog active
	Remote Mount	200 feet (60.6m) maximum from control, NEMA 4 Rated
	Trip	Separate message and trace log for each trip, last 10 trips retained in memory
	<b>Analog Inputs</b>	
<b>Analog Inputs</b>	One Differential	±5VDC, ±10VDC, 4-20 mA and 0-20 mA, 11-bit + sign
	One Single Ended	0 - 10 VDC, 11-bit
	Input Impedance	80 kOhms (Volt mode); 500 Ohms (Current mode)
<b>Analog Outputs</b>	Analog Outputs	2 Assignable
	Full Scale Range	AOUT1 (0-5V, 0-10V, 0-20mA or 4-20mA), AOUT2 (+5V, +10V)
	Source Current	1 mA maximum (volt mode), 20mA (current mode)
	Resolution	9 bits
<b>Digital Inputs</b>	Opto-isolated Inputs	8 Assignable, 1 dedicated input (Drive Enable)
	Rated Voltage	10 - 30 VDC (closed contacts std)
	Input Impedance	4.71 k Ohms
	Leakage Current	10 mA maximum
	Update Rate	16 msec
	<b>Digital Outputs (2 Opto Outputs)</b>	
<b>Digital Outputs (2 Opto Outputs)</b>	Rated Voltage	5 to 30VDC
	Maximum Current	60 mA Maximum
	ON Voltage Drop	2 VDC Maximum
	OFF Leakage Current	0.1 mA Maximum
<b>Digital Outputs (2 Relay Outputs)</b>	Output Conditions	25 Conditions
	Rated Voltage	5 to 30VDC or 240VAC
	Maximum Current	5A Maximum non-inductive
<b>Digital Outputs (2 Relay Outputs)</b>	Output Conditions	25 Conditions

Farm Duty Motors

Definite Purpose Motors

Unit Handling Motors

Brake Motors

200 & 575 Volt Motors

IEC Frame Motors

50 Hertz Motors

Inverter/Vector Motors & Controls

DC Motors and Controls

Soft Starters & Dynamic Brakes

**VS1PM Permanent Magnet Drive Output Ratings**

Catalog Number	Size	Heavy Duty			Normal Duty			List Price	Mult. Sym.
		Hp/kW	Continuous	Peak	Hp/kW	Continuous	Peak		
<b>230 Volts - Three Phase</b>									
VS1PM210-1B	B	10/7.5	28	49	15/11	42	52.5	3,138	EC
<b>460 Volts - Three Phase</b>									
VS1PM410-1B	AA	10/7.4	14	24.5	10/7.5	14	17.5	3,055	EC
VS1PM415-1B	B	15/11	21	36.75	20/15	27	33.75	3,830	EC
VS1PM420-1B	B	20/15	27	47.25	25/18.7	34	42.5	4,469	EC
VS1PM425-1B	B	25/18.7	34	60	30/22	40	50	5,638	EC
VS1PM430-1B	C	30/22.4	40	70	40/29.8	52	60	6,596	EC
VS1PM440-1B	C	40/29.8	52	91	50/37.3	65	75	8,298	EC
VS1PM450-1B	C	50/37.3	65	114	60/44.8	77	89	9,787	EC
VS1PM460-1B	D	60/45	77	135	75/56	96	110	10,532	EC
VS1PM475-1B	D	75/56	96	168	100/75	124	143	12,340	EC
VS1PM4100-1B	D	100/75	124	217	125/93	156	179	14,255	EC
VS1PM4125-1B	D	125/93	156	273	150/112	180	207	15,106	EC
VS1PM4150-1T	E	150/112	180	315	200/149	240	276	18,150	EC

**Dimensions in/(mm)**

Size	Outside			Mounting		Ap'x Shpg. Wgt. Lbs. (kg)
	Height	Width	Depth	Height	Width	
AA	12.27(312)	7.97(202)	8.21(209)	11.75(298)	7.38(187)	20(9.1)
B	18.00(457)	9.10(231)	9.77(248)	17.25(438)	7.00(178)	30(13.6)
C	22.00(559)	9.10(231)	9.77(248)	21.25(540)	7.00(178)	60(27.2)
D	28.00(711)	11.50(292)	13.00(330)	27.25(692)	9.50(241)	120(54.4)
E	41.00(1041)	18.75(476)	16.00(406)	39.75(1010)	15.75(400)	250(113.4)

Farm Duty Motors

Definite Purpose Motors

Unit Handling Motors

Brake Motors

200 & 575 Volt Motors

IEC Frame Motors

50 Hertz Motors

Inverter/Vector Motors & Controls

DC Motors and Controls

Soft Start & Dynamic Brakes

RPM AC,  
Inverter Duty,  
Three Phase

5 thru 1000 Hp

FL1838 thru L4461

**Applications:** Extruders, conveyors, crane & hoist systems, converting, pumps, web processing, test stands, traction duty, winders, printing.

**Features:** Compact square laminated steel frame FL210-L440 (FL180 is extruded aluminum) for inverter duty and vector duty 1000:1 constant torque. Premium class H insulation, 40 C ambient, 1.0 S.F. Ball bearing. Three normally closed thermostats (one per phase). Surpasses the requirements of MG1, Part 31. VPI insulation & insulated O.D.E. bearing is standard on all L440 frames. Exclusive optimum pole Inverter Duty - not for across the line operation.



Hp	RPM	Max. RPM	NEMA Frame	Enclosure (a)	Catalog Number	List Price	Mult. Sym.	"C" Dim.	Aprx. Wt. (lb)	Voltage	Full Load Amps	
5	1800	3500	FL1838C	TENV	IDNRP18054C (b)	3,087	E2	17.87	170	230/460	7.4	
7 1/2	1800	3500	FL1852C	TENV	IDNRP18074C (c)	3,549	E2	21.87	210	230/460	11	
10	1800	3500	FL1844C	TEFC	IDFRPM18104C (c)	3,685	E2	23.26	195	230/460	13.9	
			FL2162C	TENV	IDNRP21104C (c)	4,203	E2	23.11	300	230/460	13.6	
15	1800	3500	FL1844C	TEBC	IDBRPM18154C (d)	3,808	E2	23.89	190	460	21	
			FL2162C	TEFC	IDFRPM21154C (d)	4,327	E2	26.74	310	460	20	
20	1800	3500	FL1852C	TEBC	IDDRPM18204C (d)	4,197	E2	25.89	235	460	27	
			FL2162C	TEFC	IDFRPM21204C (d)	4,509	E2	26.74	318	460	27	
25	1800	2600	FL1844C	DPG-FV	IDDRPM18254C (d)	4,417	E2	22.32	215	460	33	
		3500	FL2162C	TEBC	IDBRPM21254C (d)	4,885	E2	26.74	320	460	34	
			FL2173C	TEFC	IDFRPM21254C (d)	4,957	E2	29.50	375	460	34	
30	1800	3475	FL1852C	DPG-FV	IDDRPM18304C (d)	4,595	E2	23.32	248	460	39	
		3500	FL2162C	TEBC	IDBRPM21304C (d)	5,172	E2	26.74	322	460	40	
			FL2570C	TEFC	IDFRPM25304C (d)	5,217	E2	29.54	542	460	38	
40	1800	2000	RL2162	DPG-FV	IDDRPM21404 (e)	5,353	E2	23.12	355	460	50	
		3500	FL2173	TEBC	IDBRPM21404 (e)	5,398	E2	29.25	382	460	51	
		3550	FL2586	TEFC	IDFRPM25404 (e)	5,676	E2	33.79	650	460	51	
50	1800	2000	RL2168	DPG-FV	IDDRPM21504 (e)	5,970	E2	24.62	432	460	62	
		3500	FL2570	TEBC	IDBRPM25504 (e)	6,920	E2	29.79	530	460	65	
		3550	FL2882	TEFC	IDFRPM28504 (e)	9,695	E2	34.59	720	460	64	
		1200	1300	RL2570	DPG-FV	IDDRPM25506 (e)	8,638	E2	26.38	560	460	64
60	1800	2200	RL2168	DPG-FV	IDDRPM21604 (e)	7,206	E2	24.62	385	460	74	
		3500	FL2578	TEBC	IDBRPM25604 (e)	8,886	E2	31.79	578	460	75	
		3550	FL2890	TEFC	IDFRPM28604 (e)	10,311	E2	36.59	795	460	76	
		1200	1300	RL2578	DPG-FV	IDDRPM25606 (e)	9,611	E2	28.38	624	460	73
75	1800	2500	RL2570	DPG-FV	IDDRPM25754 (e)	8,654	E2	26.38	565	460	96	
		3500	FL2586	TEBC	IDBRPM25754 (e)	10,612	E2	33.79	670	460	92	
		3550	FL2898	TEFC	IDFRPM28754 (e)	11,582	E2	38.59	800	460	94	
		1200	1300	RL2586	DPG-FV	IDDRPM25756 (e)	11,894	E2	30.38	608	460	91
100	1800	2000	RL2578	DPG-FV	IDDRPM251004 (e)	10,493	E2	28.38	630	460	119	
		3500	L2898	TEBC	IDBRPM281004 (e)	12,710	E2	38.00	910	460	123	
		3550	FL2890	TEBC	IDBRPM281004R1 (e)	12,899	E2	41.11	805	460	124	
		1200	1450	RL2882	DPG-FV	IDDRPM281006 (e)	15,904	E2	31.14	785	460	124
125	1800	2000	RL2586	DPG-FV	IDDRPM251254 (e)	13,906	E2	30.38	724	460	148	
		3500	L3203	TEBC	IDBRPM321254 (e)	17,802	E2	44.25	1,170	460	150	
		3550	FL2898	TEBC	IDBRPM281254 (e)	15,144	E2	43.11	890	460	156	
150	1800	2000	RL2898	DPG-FV	IDDRPM281256 (e)	19,235	E2	35.14	1,000	460	159	
		3500	2000	RL2882	DPG-FV	IDDRPM281504 (e)	15,526	E2	31.14	770	460	156
			L3213	TEBC	IDBRPM321504 (e)	23,818	E2	46.75	1,360	460	177	
		2400	L3203	DPG-FV	IDDRPM321506 (e)	22,291	E2	39.88	1,135	460	180	

(a) All TEBC and DPG-FV have integral blower rated 230/460 volts 3 phase. All TENV, TEFC and TEBC have top mounted conduit box. All DPG-FV are F1.

(b) Foot mounted and 180TC face.

(c) Foot mounted and 210TC face.

(d) Foot mounted and 250TC face.

(e) Foot mounted only.

(f) Foot mounted only. These stock models include VPI insulation on L440 only, insulated ODE bearing, shaft ground brush, and stator RTD's.

(g) Foot mounted only. Includes filter, VPI, insulated ODE bearing and two sets of thermostats.

**ENCODER MOUNTING PROVISIONS - INCLUDE MACHINED ODE BRACKET AND SHAFT TAPPED FOR STUB SHAFT. CONTINUOUS CONSTANT TORQUE TO ZERO SPEED SEE ENCODER FEEDBACK KITS ON PAGES 196 AND 197 FOR USE WITH ID-RPM AC MOTORS ON PAGES 193 AND 194. FOR RPM AC MOD EXPRESS, CONTACT YOUR BALDOR-RELIANCE DISTRICT OFFICE.**

Farm Duty Motors

Definite Purpose Motors

Unit Handling Motors

Brake Motors

200 & 575 Volt Motors

IEC Frame Motors

50 Hertz Motors

Inverter/Vector Motors & Controls

DC Motors and Controls

Soft Starters & Dynamic Brakes

**RPM AC, Inverter Duty, Three Phase**

Hp	RPM	Max. RPM	NEMA Frame	Enclosure <sup>(a)</sup>	Catalog Number	List Price	Mult. Sym.	"C" Dim.	Aprx. Wt. (lb)	Voltage	Full Load Amps
200	1800	2700	RL2898	DPG-FV	<b>IDDRPM282004</b> <sup>(e)</sup>	20,241	E2	35.14	940	460	241
		3500	L3614	TEBC	<b>IDBRPM362004</b> <sup>(e)</sup>	26,349	E2	42.75	1,746	460	227
	L4022		TEBC	<b>IDBRPM402004</b> <sup>(e)</sup>	28,430	E2	42.12	1,996	460	227	
	1200	2000	L3213	DPG-FV	<b>IDDRPM322006</b> <sup>(e)</sup>	27,736	E2	42.38	1,295	460	236
250	1800	2945	L3203	DPG-FV	<b>IDDRPM322504</b> <sup>(e)</sup>	23,818	E2	39.88	1,220	460	290
		3500	L4034	TEBC	<b>IDBRPM402504</b> <sup>(e)</sup>	32,989	E2	45.12	2,244	460	283
	1200	2000	L3614	DPG-FV	<b>IDDRPM362504</b> <sup>(e)</sup>	28,491	E2	45.00	1,690	460	289
300	1800	2500	L3213	DPG-FV	<b>IDDRPM323004</b> <sup>(e)</sup>	27,736	E2	42.38	1,360	460	350
		3500	L4046	TEBC	<b>IDBRPM403004</b> <sup>(e)</sup>	40,480	E2	48.12	2,511	460	336
	1200	2000	L4034	DPG-FV	<b>IDDRPM403006</b> <sup>(e)</sup>	36,344	E2	52.00	2,289	460	360
350	1800	2200	L3614	DPG-FV	<b>IDDRPM363504</b> <sup>(e)</sup>	31,467	E2	45.00	1,812	460	401
400	1800	2500	L3614	DPG-FV	<b>IDDRPM364004</b> <sup>(e)</sup>	35,122	E2	45.00	1,742	460	477
	1200	2000	L4046	DPG-FV	<b>IDDRPM404006</b> <sup>(e)</sup>	53,060	E2	55.00	2,485	460	451
500	1800	2400	L4034	DPG-FV	<b>IDDRPM405004</b> <sup>(f)</sup>	46,367	E2	52.00	2,315	460	557
	1200	2380	L4461	DPG-FV	<b>IDDRPM445006</b> <sup>(g)</sup>	80,855	E2	63.63	3,875	460	669
600	1800	2200	L4046	DPG-FV	<b>IDDRPM406004</b> <sup>(f)</sup>	56,526	E2	55.00	2,535	460	666
700	1800	2300	L4429	DPG-FV	<b>IDDRPM447004</b> <sup>(f)</sup>	70,545	E2	55.63	3,000	460	875
1,000	1800	2000	L4461	DPG-FV	<b>IDDRPM4410004</b> <sup>(f)</sup>	88,407	E2	63.63	3,890	460	1,202

(a) All TEBC and DPG-FV have integral blower rated 230/460 volts 3 phase. All TENV, TEFC and TEBC have top mounted conduit box. All DPG-FV are F1.

(b) Foot mounted and 180TC face.

(c) Foot mounted and 210TC face.

(d) Foot mounted and 250TC face.

(e) Foot mounted only.

(f) Foot mounted only. These stock models include VPI insulation on L440 only, insulated ODE bearing, shaft ground brush, and stator RTD's.

(g) Foot mounted only. Includes filter, VPI, insulated ODE bearing and two sets of thermostats.

**ENCODER MOUNTING PROVISIONS - INCLUDE MACHINED ODE BRACKET AND SHAFT TAPPED FOR STUB SHAFT. CONTINUOUS CONSTANT TORQUE TO ZERO SPEED SEE ENCODER FEEDBACK KITS ON PAGES 196 AND 197 FOR USE WITH ID-RPM AC MOTORS ON PAGES 193 AND 194. FOR RPM AC MOD EXPRESS, CONTACT YOUR BALDOR•RELIANCE DISTRICT OFFICE.**

Farm Duty Motors

Definite Purpose Motors

Unit Handling Motors

Brake Motors

200 & 575 Volt Motors

IEC Frame Motors

50 Hertz Motors

Inverter/Vector Motors & Controls

DC Motors and Controls

Soft Start & Dynamic Brakes

**RPM AC,  
Vector Duty,  
Three Phase,  
Totally Enclosed**

**5 thru 200 Hp**

**FL1838 thru L4022**

**Applications:** Test stands, extruders, conveyors, crane & hoist systems, converting, web processing, traction duty, winders, printing.

**Features:** Compact square laminated steel frame FL210-L440 (FL180 is extruded aluminum) for vector duty 1000:1 constant torque. Premium class H insulation, 40 C ambient, 1.0 S.F. Ball bearing. Three normally closed thermostats (one per phase). Surpasses the requirements of MG1, Part 31. VPI insulation & insulated O.D.E. bearing is standard on all L440 frames. Exclusive optimum pole Inverter Duty - not for across the line operation. Includes 1024 ppr hollow shaft encoder with MS twist lock connector.



Hp	RPM	Max. RPM	NEMA Frame	Enclosure (a)	Catalog Number	List Price	Mult. Sym.	"C" Dim.	Aprx. Wt. (lb)	Voltage	Full Load Amps	Notes (b)
5	1800	3500	FL1838C	TENV	ZDNRPM18054C (c)	4,745	E2	17.87	165	230/460	7.4	
7 1/2	1800	3500	FL1852C	TENV	ZDNRPM18074C (d)	5,208	E2	21.87	220	230/460	11	
10	1800	3500	FL1844C	TEFC	ZDFRPM18104C (d)	5,344	E2	23.26	200	230/460	13.9	
			FL2162C	TENV	ZDNRPM21104C (d)	5,861	E2	23.11	305	230/460	13.6	
15	1800	3500	FL1844C	TEBC	ZDBRPM18154C (e)	5,465	E2	28.93	210	460	21	
20	1800	2500	FL2162C	TEFC	ZDFRPM21204C (e)	6,165	E2	26.74	318	460	27	
		3500	FL1852C	TEBC	ZDBRPM18204C (e)	5,856	E2	30.39	250	460	27	
25	1800	3500	FL2173C	TEFC	ZDFRPM21254C (e)	6,611	E2	29.50	382	460	34	
30	1800	3500	FL2162C	TEBC	ZDBRPM21304C (e)	6,828	E2	31.24	375	460	40	
			FL2570C	TEFC	ZDFRPM25304C (e)	6,874	E2	29.54	505	460	40	
40	1800	3500	FL2173	TEBC	ZDBRPM21404 (f)	7,056	E2	33.75	390	460	52	
			FL2586	TEFC	ZDFRPM25404 (f)	7,334	E2	33.79	605	460	52	
50	1800	3500	FL2570	TEBC	ZDBRPM25504 (f)	8,578	E2	34.29	560	460	61	
60	1800	3500	FL2578	TEBC	ZDBRPM25604 (f)	10,545	E2	36.29	615	460	74	
75	1800	3500	FL2586	TEBC	ZDBRPM25754 (f)	12,270	E2	38.29	655	460	94	
100	1800	3500	FL2898	TEBC	ZDBRPM281004 (f)	14,253	E2	47.61	905	460	123	
		3550	FL2890	TEBC	ZDBRPM281004R1 (f)	15,844	E2	45.61	805	460	124	
125	1800	3500	L3203	TEBC	ZDBRPM321254 (f)	19,763	E2	44.25	1,170	460	150	
		3550	FL2898	TEBC	ZDBRPM281254 (f)	16,687	E2	47.61	890	460	156	
150	1800	3500	L3213	TEBC	ZDBRPM321504 (f)	25,776	E2	46.75	1,310	460	177	
200	1800	3500	L3614	TEBC	ZDBRPM362004 (f)	28,310	E2	46.75	1,830	460	240	
			L4022	TEBC	ZDBRPM402004 (f)	30,389	E2	49.12	2,030	460	240	

(a) All TEBC have integral blower rated 230/460 volts 3 phase.

(b) See notes on inside back flap and pages 5-6.

(c) Foot mounted and 180TC face.

(d) Foot mounted and 210TC face.

(e) Foot mounted and 250TC face.

(f) Foot mounted only.

**CONTINUOUS CONSTANT TORQUE TO ZERO SPEED**

Farm Duty Motors

Definite Purpose Motors

Unit Handling Motors

Brake Motors

200 & 575 Volt Motors

IEC Frame Motors

50 Hertz Motors

Inverter/Vector Motors & Controls

DC Motors and Controls

Soft Starters & Dynamic Brakes



**Encoder Feedback Kits**

1024 PPR, Includes all Mounting Hardware and Mating Connector

The following kits for use with RPM AC catalog numbers "ID RPM" on pages 193-194.

	Catalog Number	Motor Enclosure	Type	Frame Size	Mfg.	Mag or Optical	Conn Type	Input Voltage VDC	List Price	Mult. Sym.	Ap'x. Shpg. Wgt.
Farm Duty Motors	417077-136	TENV	HS35	FL180-FL/RL280 (1)	BEI	0	MS-ST	5-15	1,337	E8	4
	417077-208TL	TENV	HS35	FL180-FL280 (1)	BEI	0	MS-TL	5-28	1,337	E8	6
	417708-361	TENV	HSD35	FL180-FL/RL280 (1)	Dynapar	0	Latch	5-26	1,504	E8	5
Definite Purpose Motors	417077-153	TENV	H20	FL180-FL/RL280 (1)	Dynapar	0	MS-ST	5-15	1,481	E8	9
	417077-156	TENV	RL67	FL180-FL/RL280 (1)	Dynapar	M	Latch	5-15	1,910	E8	9
	417708-226	TENV	SL85	FL180-FL/RL280 (1)	Dynapar	M	Latch	5-15	2,030	E8	5
Unit Handling Motors	417077-170	TENV	RAHS35M	FL180-FL/RL280 (1)	Avtron	M	MS-ST	5-24	1,337	E8	10
	417077-133	TEFC	HS35	FL180-FL/RL280 (1)	BEI	0	MS-ST	5-15	1,337	E8	5
	417077-209TL	TEFC	HS35	FL180-FL280 (1)	BEI	0	MS-TL	5-28	1,337	E8	6
Brake Motors	417708-371	TEFC	HSD35	FL180-FL/RL280 (1)	Dynapar	0	Latch	5-26	1,504	E8	5
	417077-180	TEFC	RAHS35M	FL180-FL/RL280 (1)	Avtron	M	MS-ST	5-24	1,337	E8	8
	417077-165	TEBC	HS35	FL180	BEI	0	MS-ST	5-15	1,337	E8	15
200 & 575 Volt Motors	417077-210TL	TEBC	HS35	FL180	BEI	0	MS-TL	5-28	1,337	E8	6
	417077-188	TEBC	HS35	FL210 Only	BEI	0	MS-ST	5-15	1,337	E8	10
	417077-211TL	TEBC	HS35	FL210	BEI	0	MS-TL	5-28	1,337	E8	6
IEC Frame Motors	417077-189	TEBC	HS35	FL250 Only	BEI	0	MS-ST	5-15	1,337	E8	10
	417077-212TL	TEBC	HS35	FL250	BEI	0	MS-TL	5-28	1,337	E8	6
	417077-204	TEBC	HS35	FL280	BEI	0	MS-ST	5-15	1,337	E8	6
50 Hertz Motors	417077-213TL	TEBC	HS35	FL280	BEI	0	MS-TL	5-28	1,337	E8	6
	417708-131	TEBC	HS35	L280	BEI	0	MS-ST	5-15	1,337	E8	10
	417708-140	TEBC	HS35	L320	BEI	0	MS-ST	5-15	1,337	E8	1010
Inverter/Vector Motors & Controls	417077-214TL	TEBC	HS35	L320	BEI	0	MS-TL	5-28	1,337	E8	6
	417077-215TL	TEBC	HS35	L360	BEI	0	MS-TL	5-28	1,337	E8	6
	417708-142	TEBC	HS35	L400	BEI	0	MS-ST	5-15	1,337	E8	15
DC Motors and Controls	417077-216TL	TEBC	HS35	L400	BEI	0	MS-TL	5-28	1,337	E8	6
	417077-173	TEBC	RAHS35M	FL180	Avtron	M	MS-ST	5-24	1,337	E8	10
	417077-182	TEBC	RAHS35M	FL210 Only	Avtron	M	MS-ST	5-24	1,337	E8	10
Soft Start & Dynamic Brakes	417077-183	TEBC	RAHS35M	FL250 Only	Avtron	M	MS-ST	5-24	1,337	E8	15
	417077-205	TEBC	RAHS35M	FL280	Avtron	M	MS-ST	5-24	1,337	E8	9
	417077-176	TEBC	RAHS35M	L280	Avtron	M	MS-ST	5-24	1,337	E8	15
Soft Start & Dynamic Brakes	417077-177	TEBC	RAHS35M	L320	Avtron	M	MS-ST	5-24	1,337	E8	35
	417077-178	TEBC	RAHS35M	L360	Avtron	M	MS-ST	5-24	1,337	E8	15
	417077-179	TEBC	RAHS35M	L400	Avtron	M	MS-ST	5-24	1,337	E8	35
Soft Start & Dynamic Brakes	417077-167	TEBC	H20	FL180	Dynapar	0	MS-ST	5-15	1,481	E8	20
	417077-190	TEBC	H20	FL210 Only	Dynapar	0	MS-ST	5-15	1,481	E8	10
	417077-191	TEBC	H20	FL250 Only	Dynapar	0	MS-ST	5-15	1,481	E8	10
Soft Start & Dynamic Brakes	417077-203	TEBC	H20	FL280	Dynapar	0	MS-ST	5-15	1,481	E8	6
	417708-90	TEBC	H20	L280	Dynapar	0	MS-ST	5-15	1,481	E8	13
	417708-91	TEBC	H20	L320	Dynapar	0	MS-ST	5-15	1,481	E8	15
Soft Start & Dynamic Brakes	417077-168	TEBC	RL67	FL180	Dynapar	M	Latch	5-15	1,910	E8	10
	417077-192	TEBC	RL67	FL210 Only	Dynapar	M	Latch	5-15	1,910	E8	10
	417077-193	TEBC	RL67	FL250 Only	Dynapar	M	Latch	5-15	1,910	E8	10
Soft Start & Dynamic Brakes	417077-206	TEBC	RL67	FL280	Dynapar	M	Latch	5-15	1,910	E8	6
	417077-136	DPFV	HS35	FL180-RL280(2)	BEI	0	MS-ST	5-15	1,337	E8	4
	417077-208TL	DPFV	HS35	FL180-RL280 (2)	BEI	0	MS-TL	5-28	1,337	E8	6
Soft Start & Dynamic Brakes	417708-130	DPFV	HS35	L280-L400	BEI	0	MS-ST	5-15	1,337	E8	5
	417077-218TL	DPFV	HS35	L320-L400	BEI	0	MS-TL	5-28	1,337	E8	6
	417077-170	DPFV	RAHS35M	FL180-RL280(2)	Avtron	M	MS-ST	5-24	1,337	E8	10
Soft Start & Dynamic Brakes	417077-171	DPFV	RAHS35M	L280-L400	Avtron	M	MS-ST	5-24	1,337	E8	5
	417077-172	DPFV	RAHS35M	L440	Avtron	M	MS-ST	5-24	1,337	E8	5
	417708-361	DPFV	HSD35	FL180-RL280(2)	Dynapar	0	MS-ST	5-26	1,504	E8	5
Soft Start & Dynamic Brakes	417708-362	DPFV	HSD35	L280-L400	Dynapar	0	MS-ST	5-26	1,504	E8	8

### Encoder Feedback Kits RPM AC Designs

1024 PPR, Includes all Mounting Hardware and Mating Connector

The following kits for use with RPM AC catalog numbers "ID RPM" on pages 193-194.

Catalog Number	Motor Encl	Type	Frame Size	Mfg.	Mag or Optical	Conn Type	Input Voltage VDC	List Price	Mult. Sym.	Ap'x. Shpg. Wgt.
417077-153	DPFV	H20	FL180-RL280(2)	Dynapar	0	MS-ST	5-15	1,481	E8	9
417708-85	DPFV	H20	L280-L400	Dynapar	0	MS-ST	5-15	1,481	E8	5
417077-156	DPFV	RL67	FL180-RL280(2)	Dynapar	M	Latch	5-15	1,910	E8	9
417708-87	DPFV	RL67	L280-L400	Dynapar	M	Latch	5-15	1,910	E8	6
417708-120	DPFV	RL67	L440	Dynapar	M	Latch	5-15	1,910	E8	23
417708-226	DPFV	SL85	FL180-RL280(2)	Dynapar	M	Latch	5-15	2,030	E8	5

(1) Includes FL180, FL210, FL250, RL210, RL250, FL280 and RL280

(2) Includes FL180, RL210, RL250 and RL280

### Encoder only (no stub shaft) - unmounted - for RPM AC motor frames FL180-L440

Kit includes encoder only; BEI HS35, 2048 PPR, 5-24 V DC with 10 pin MS screw tight connector.

Enclosure	Catalog Number	List Price	Mult. Sym.
TENV & DPFV-All frames	417708-230	1,514	E8
TEBC-All frames (1)	417708-231	1,666	E8
TEFC- All frames	417708-232	1,514	E8

(1) Requires an extended blower, except on L320. (purchased separately)

### Encoder Mounting Kits - no encoder

Kit includes stub shaft only (no encoder) - unmounted - for RPM AC motor frames FL180-L440.

Encoder (reference)	Frame	Enclosure	Catalog Number	List Price	Mult. Sym.
BEI HS35 (1 inch dia.)	FL180-FL/RL250 (3)	DPFV,TENV,TEFC,TEBC(2)	417708-201	152	E8
	FL/RL280 thru L400	DPFV & TEBC(2)	417708-202	152	E8
	L440	DPFV & TEAO-P/B	417708-203	152	E8
Dynapar H20 (.393 inch dia.)	FL180-FL/RL250 (3)	DPFV,TENV & TEBC(2)	417708-204	152	E8
	FL/RL250	TEFC	417708-205	152	E8
	RL280-L400	DPFV	417708-207	152	E8
	FL280-L400	TEBC(1)	417708-206	152	E8
	L440	DPFV & TEAO-P/B	417708-206	152	E8
SL85 (5/8 inch dia.)	FL180-FL/RL250 (3)	DPFV,TENV & TEBC(2)	417708-210	152	E8
	FL/RL280-L400	DPFV & TEBC(2)	417708-212	152	E8
	L440	DPFV & TEAO-P/B	417708-212	152	E8
RL67 (5/8 inch dia.)	FL180-FL/RL250 (3)	DPFV,TENV & TEBC(2)	417708-208	152	E8
	FL280-L400	TEBC(2)	417708-209	152	E8
	RL280-L400	DPFV	417708-42	205	E8
	L440	DPFV & TEAO-P/B	417708-157	256	E8

(2) Note: encoder addition requires an extended blower cover on TEBC motors in all frames except L320. Cover is included in complete kits only.

(3) Includes FL180, FL210, FL250, RL210, RL250

Farm Duty Motors

Definite Purpose Motors

Unit Handling Motors

Brake Motors

200 & 575 Volt Motors

IEC Frame Motors

50 Hertz Motors

Inverter/Vector Motors & Controls

DC Motors and Controls

Soft Starters & Dynamic Brakes

### RPM AC Slide Bases

**Application:** Used for adjustable belt tension on belted application not suitable for wall or ceiling mounting.

Frame	Catalog Number	List Price	Mult. Symbol	Dimension Sheet	Approx. Wt. (Lb.)
FL1831	419914-9A	434	E8	609957-9	13
FL1838	419914-9B	434	E8	609957-9	14
FL1844	419914-9C	434	E8	609957-9	15
FL1852	419914-9D	434	E8	609957-9	17
FL/RL2153	419914-10A	434	E8	609957-10	39
FL/RL2158	419914-10B	434	E8	609957-10	27
FL/RL2162	419914-10D	507	E8	609957-10	48
FL/RL2168	419914-10L	507	E8	609957-10	52
FL/RL2173	419914-10M	507	E8	609957-10	28
FL/RL2570	419914-10G	507	E8	609957-10	55
FL/RL2578	419914-10N	651	E8	609957-10	58
FL/RL2586	419914-10P	651	E8	609957-10	56
L2875	419914-10J	651	E8	609957-10	37
FL/RL/L2882	419914-10K	932	E8	609957-10	80
FL/RL/L2890	419914-10R	932	E8	609957-10	80
FL/RL/L2898	419914-10S	932	E8	609957-10	90
L3203	419914-11P	1,028	E8	609977-10	90
L3213	419914-11R	1,028	E8	609977-10	90
UL3698	419914-11M	1,205	E8	609977-10	105
UL3699	419914-11C	1,205	E8	609977-10	105
UL3607	419914-11D	1,205	E8	609977-10	74
UL3614	419914-11N	1,205	E8	609977-10	124
UL4022	419914-11E	2,296	E8	609977-10	105
UL4034	419914-11F	2,296	E8	609977-10	132
UL4046	419914-11G	2,296	E8	609977-10	141
UL4429	419914-11H	4,333	E8	609977-10	140
UL4440	419914-11J	4,333	E8	609977-10	150
UL4451	419914-11K	4,333	E8	609977-10	160
UL4461	419914-11L	4,333	E8	609977-10	165

### RPM AC Filter Kits

**Application:** For use with DPFV enclosures

Frame	Catalog Number	List Price	Mult. Symbol	Description	Approx. Wt. (Lb.)
FL180	417077-57	554	A8	Washable Wire Mesh Canister Type	2
RL210	417077-59	554	A8	Washable Wire Mesh Canister Type	4
RL250	417077-59	554	A8	Washable Wire Mesh Canister Type	4
RL/L280	417077-59	554	A8	Washable Wire Mesh Canister Type	4
L320	417077-59	554	A8	Washable Wire Mesh Canister Type	4
L360	417077-65	727	A8	Washable Wire Mesh Canister Type	7
L400	417077-102	1,070	A8	Washable Wire Mesh Canister Type	6
L440	417077-124	1,588	A8	Square Replaceable Polyester Type	18

Farm Duty Motors

Definite Purpose Motors

Unit Handling Motors

Brake Motors

200 &amp; 575 Volt Motors

IEC Frame Motors

50 Hertz Motors

Inverter/Vector Motors &amp; Controls

DC Motors and Controls

Soft Start &amp; Dynamic Brakes

**RPM AC Mounting Conversion Kits for FL180-FL280 Frames**

Kits are for relocation of the conduit box of stock FL180 - FL280 frame motors as noted. Installation of this kit requires complete disassembly/reassembly of motor. Price is for kit only.

Frame	Catalog Number	List Price	Mult. Sym.	Enclosure	Relocate Conduit Box:
<b>For FL180-FL280 Frames</b>					
FL180	<b>417077-184</b>	466	E8	TENV, TEBC, TEFC	From Top to F-1 or F-2
FL180	<b>417077-185</b>	466	E8	DPFV	From F-1 to F-2
FL210	<b>417077-186</b>	547	E8	TENV, TEBC, TEFC	From Top to F-1 or F-2
FL250	<b>417077-187</b>	547	E8	TENV, TEBC, TEFC	From Top to F-1 or F-2
FL280	<b>417077-201</b>	585	E8	TENV, TEBC, TEFC	From Top to F-1 or F-2
<b>For RL210-RL280 Frames</b>					
RL2153 thru RL2173	<b>417077-129</b>	466	E8	DPFV	From F-1 to F-2
RL250 thru RL2586	<b>417077-131</b>	466	E8	DPFV	From F-1 to F-2
RL2153 thru RL2173	<b>417077-130</b>	547	E8	TENV, TEBC, TEFC	From Top to F-1 or F-2
RL2570 thru RL2586	<b>417077-132</b>	547	E8	TENV, TEBC, TEFC	From Top to F-1 or F-2
RL2882 thru RL2898	<b>417077-202</b>	585	E8	DPFV	From F-1 to F-2

**Replacement Blower Kits for DPG-FV RPM AC Motors on pages 194-195**

Kit includes blower motor and shroud, blower wheel and all mounting hardware. Filter is not included.

DPFV Frame	Catalog Number	List Price	Mult. Sym.
RL210	<b>417077-144</b>	832	E8
RL250	<b>417077-145</b>	1,625	E8
RL and L280	<b>419947-31</b>	1,620	A8
L320	<b>419947-33</b>	1,802	A8
L360	<b>417077-127</b>	2,616	A8
L400	<b>417077-75</b>	2,726	A8
L440	<b>417077-126</b>	8,345	A8

Kit includes terminal box and blower motor only.

TEBC Frame	Catalog Number	List Price	Mult. Sym.
FL180 (3)	<b>417077-143</b>	832	E8
FL/RL210-320(3)	<b>417077-141</b>	1,058	E8

(3) Compact inline blower used on stock models (IP44 rating)

**V\*S Master  
Inverter Drive,  
Three Phase,  
Totally Enclosed**

1/3 thru 300 Hp

NEMA 56C thru 449T

**Applications:** Conveyors, extruders, printing lines, converting, test stands, anywhere constant torque is required over a wide speed range.

**Features:** Designed specifically for Inverter operation where up to 1000:1 constant torque speed range is required. Includes provisions for stub shaft for hollow shaft encoder, three thermostats, and all 440T frames include an ODE insulated bearing. Insulation system exceeds NEMA MG 1-2006, Part 31.4.4.2. Continuous constant torque to zero speed.



Hp	RPM	Max. RPM	NEMA Frame	Enclosure	Catalog Number	List Price	Mult. Sym.	"C" Dim.	Aprx. Wt. (lb)	Voltage	Full Load Amps	Notes (a)
1/3	1800	6000	56C	TENV	IDVSNM3534	416	E2	13.84	35	230/460	0.6	2,48
1/2	1800	6000	56C	TENV	IDVSNM3538	487	E2	13.84	35	230/460	0.8	2,48
3/4	1800	6000	56C	TENV	IDVSNM3542	542	E2	13.84	34	230/460	1.1	2,48
1	1800	6000	143TC	TENV	IDVSNM3581T	1,107	E2	14.65	39	230/460	1.6	2,48
1 1/2	1800	6000	143TC	TENV	IDVSNM3584T	1,221	E2	14.65	66	230/460	2.1	2,48
2	1800	6000	145TC	TENV	IDVSNM3587T	1,276	E2	14.65	43	230/460	2.7	2,48
3	1800	2700	182TC	TENV	IDVSNM3661T	1,367	E2	14.69	126	230/460	3.8	2,48
			182TC	TEFC	IDVSM3661T	1,327	E2	15.62	126	230/460	3.8	2,48
5	1800	2700	L184TC	TENV	IDVSNM3665T	1,597	E2	16.19	149	230/460	6.4	2,48
			L184TC	TEFC	IDVSM3665T	1,551	E2	17.12	144	230/460	6.4	2,48
7 1/2	1800	2700	213TC	TEFC	IDVSM3770T	1,938	E2	19.25	181	230/460	9.6	2,48
			L215TC	TENV	IDVSNM2237T	1,997	E2	19.25	175	230/460	9.2	2,48
10	1800	2700	L215TC	TEFC	IDVSM3774T	2,250	E2	20.12	200	230/460	12.4	2,48
			254TC	TENV	IDVSNM2238T	2,474	E2	23.78	296	230/460	12.7	2,48
15	1800	2700	254TC	TEFC	IDVSM2333T	2,698	E2	24.50	323	230/460	18.4	2,48
			256TC	TENV	IDVSNM2333T	3,076	E2	23.78	331	230/460	18.7	2,48
20	1800	2700	256TC	TEFC	IDVSM2334T	2,957	E2	24.50	342	230/460	25.5	2,48
25	1800	2700	284TC	TEFC	IDVSM4103T	3,740	E2	27.44	437	230/460	31	2,48
30	1800	2700	286TC	TEFC	IDVSM4104T	4,146	E2	27.44	450	230/460	38.1	2,48
40	1800	2700	324T	TEFC	IDVSM4110T	5,534	E2	30.44	672	230/460	49.8	2,48
50	1800	2700	326T	TEFC	IDVSM4115T	6,764	E2	30.44	627	230/460	62.5	2,48
60	1800	2700	364T	TEFC	IDVSM4314T	8,379	E2	33.44	845	230/460	71.2	2,48
75	1800	2700	365T	TEFC	IDVSM4316T	10,494	E2	33.44	888	230/460	89.2	2,48
100	1800	2700	405T	TEFC	IDVSM4400T-4	13,563	E2	38.31	1,252	460	116	2,48
125	1800	2700	444T	TEFC	IDVSM4410T-4	16,835	E2	44.62	1,657	460	150	2,48
150	1800	2700	445T	TEFC	IDVSM4406T-4	20,092	E2	44.62	1,822	460	177	2,48
200	1800	2700	447T	TEFC	IDVSM4407T-4	23,807	E2	48.13	2,275	460	226	2,48
250	1800	2700	449T	TEFC	IDVSM4408T-4	29,430	E2	53.13	2,650	460	277	2,48
300	1800	2700	449T	TEFC	IDVSM44304T-4	33,648	E2	53.13	2,808	460	338	2,48

(a) See notes on inside back flap and pages 5-6.

**CONTINUOUS CONSTANT TORQUE TO ZERO SPEED**

■ Cast Iron Frame

Farm Duty Motors

Definite Purpose Motors

Unit Handling Motors

Brake Motors

200 & 575 Volt Motors

IEC Frame Motors

50 Hertz Motors

Inverter/Vector Motors & Controls

DC Motors and Controls

Soft Start & Dynamic Brakes

**V\*S Master  
Vector Drive,  
Three Phase,  
Totally Enclosed**

**1/2 thru 300 Hp**

**NEMA 56C thru 449T**

**Applications:** Conveyors, extruders, printing lines, converting, test stands, anywhere constant torque is required over a wide speed range.

**Features:** Designed specifically for Inverter operation where up to 1000:1 constant torque speed range is required. Includes 1024 ppr hollow shaft encoder, three thermostats, and all 440T frames include an ODE insulated bearing. Insulation system exceeds NEMA MG 1-2006, Part 31.4.4.2. Continuous constant torque to zero speed.



Hp	RPM	Max. RPM	NEMA Frame	Enclosure	Catalog Number	List Price	Mult. Sym.	"C" Dim.	Aprx. Wt. (lb)	Voltage	Full Load Amps	Notes (a)
1/2	1800	6000	56C	TENV	ZDVSNM3538	1,798	E2	13.84	14	230/460	0.8	2,46,48
3/4	1800	6000	56C	TENV	ZDVSNM3542	1,853	E2	13.84	35	230/460	1.1	2,46,48
1	1800	6000	143TC	TENV	ZDVSNM3581T	2,418	E2	14.65	41	230/460	1.6	2,46,48
1 1/2	1800	6000	143TC	TENV	ZDVSNM3584T	2,531	E2	14.65	47	230/460	2.1	2,46,48
2	1800	6000	145TC	TENV	ZDVSNM3587T	2,792	E2	14.65	45	230/460	2.7	2,46,48
3	1800	2700	182TC	TENV	ZDVSNM3661T	2,909	E2	14.69	133	230/460	3.8	2,46,48
			182TC	TEFC	ZDVSM3661T	2,869	E2	15.62	125	230/460	3.8	2,46,48
5	1800	2700	L184TC	TENV	ZDVSNM3665T	3,138	E2	16.19	151	230/460	6.4	2,46,48
			L184TC	TEFC	ZDVSM3665T	3,091	E2	17.12	146	230/460	6.4	2,46,48
7 1/2	1800	2700	213TC	TEFC	ZDVSM3770T	3,480	E2	19.25	184	230/460	9.6	2,46,48
			L215TC	TENV	ZDVSNM2237T	3,537	E2	19.25	211	230/460	9.2	2,46,48
10	1800	2700	L215TC	TEFC	ZDVSM3774T	3,790	E2	20.12	204	230/460	12.4	2,46,48
			254TC	TENV	ZDVSNM2238T	4,015	E2	23.78	359	230/460	12.7	2,46,48
15	1800	2700	254TC	TEFC	ZDVSM2333T	4,239	E2	24.50	328	230/460	18.4	2,46,48
			256TC	TENV	ZDVSNM2333T	4,618	E2	23.78	378	230/460	18.7	2,46,48
20	1800	2700	256TC	TEFC	ZDVSM2334T	4,499	E2	24.50	346	230/460	25.5	2,46,48
25	1800	2700	284TC	TEFC	ZDVSM4103T	5,280	E2	27.44	445	230/460	31	2,46,48
30	1800	2700	286TC	TEFC	ZDVSM4104T	5,687	E2	27.44	450	230/460	38.1	2,46,48
40	1800	2700	324T	TEFC	ZDVSM4110T	7,075	E2	30.44	696	230/460	49.8	2,46,48
50	1800	2700	326T	TEFC	ZDVSM4115T	8,304	E2	30.44	693	230/460	62.5	2,46,48
60	1800	2700	364T	TEFC	ZDVSM4314T	9,919	E2	33.44	860	230/460	71.2	2,46,48
75	1800	2700	365T	TEFC	ZDVSM4316T	12,036	E2	33.44	887	230/460	89.2	2,46,48
100	1800	2700	405T	TEFC	ZDVSM4400T-4	15,105	E2	38.31	1,247	460	116	2,46,48
125	1800	2700	444T	TEFC	ZDVSM4410T-4	18,377	E2	44.62	1,744	460	150	2,46,48
150	1800	2700	445T	TEFC	ZDVSM4406T-4	21,632	E2	44.62	1,892	460	177	2,46,48
200	1800	2700	447T	TEFC	ZDVSM4407T-4	25,348	E2	48.13	2,275	460	226	2,46,48
250	1800	2700	449T	TEFC	ZDVSM4408T-4	30,969	E2	53.13	2,650	460	277	2,46,48
300	1800	2700	449T	TEFC	ZDVSM44304T-4	35,189	E2	53.13	2,820	460	338	2,46,48

(a) See notes on inside back flap and pages 5-6.

**CONTINUOUS CONSTANT TORQUE TO ZERO SPEED**

■ Cast Iron Frame

Farm Duty Motors

Definite Purpose Motors

Unit Handling Motors

Brake Motors

200 & 575 Volt Motors

IEC Frame Motors

50 Hertz Motors

Inverter/Vector Motors & Controls

DC Motors and Controls

Soft Starters & Dynamic Brakes



**V\*S Master Severe Duty Vector Drive, Three Phase, Totally Enclosed**

1/2 thru 50 Hp

NEMA 140T thru 320T

**Applications:** Conveyors, extruders, printing lines, converting, test stands, anywhere constant torque is required over a wide speed range. These Severe Duty motors are designed for harsh industrial environments by protecting motor components from moisture, chemicals, corrosion and abrasives.

**Features:** Designed specifically for Inverter operation where up to 1000:1 constant torque speed range is required. Includes 1024 ppr hollow shaft encoder and three thermostats. Uses Dynapar HSD38M encoder on 180 frame and up. Insulation system exceeds NEMA MG 1-2006, Part 31.4.4.2. Continuous constant torque to zero speed.



Hp	RPM	Max. RPM	NEMA Frame	Enclosure	Catalog Number	List Price	Mult. Sym.	"C" Dim.	Aprx. Wt. (lb)	Voltage	Full Load Amps	Notes (a)
1	1800	6000	143TC	TENV	ZDVSNCP3581T	2,540	E2	14.65	62	230/460	1.6	2,46,48
1 1/2	1800	6000	143TC	TENV	ZDVSNCP3584T	2,652	E2	14.65	64	230/460	2.1	2,46,48
2	1800	6000	145TC	TENV	ZDVSNCP3587T	2,913	E2	14.65	67	230/460	2.7	2,46,48
3	1800	2700	182TC	TEFC	ZDVSCP3661T	3,005	E2	15.62	131	230/460	3.8	2,46,48
5	1800	2700	L184TC	TEFC	ZDVSCP3665T	3,230	E2	17.12	154	230/460	6.4	2,46,48
7 1/2	1800	2700	213TC	TEFC	ZDVSCP3770T	3,682	E2	19.25	198	230/460	9.6	2,46,48
10	1800	2700	L215TC	TEFC	ZDVSCP3774T	3,993	E2	20.12	216	230/460	12.4	2,46,48
15	1800	2700	254TC	TEFC	ZDVSCP2333T	4,512	E2	24.50	356	230/460	18.4	2,46,48
20	1800	2700	256TC	TEFC	ZDVSCP2334T	4,773	E2	24.50	364	230/460	25.5	2,46,48
25	1800	2700	284TC	TEFC	ZDVSCP4103T	5,597	E2	27.44	445	230/460	31	2,46,48
30	1800	2700	286TC	TEFC	ZDVSCP4104T	6,004	E2	27.44	479	230/460	38.1	2,46,48
40	1800	2700	324T	TEFC	ZDVSCP4110T	7,449	E2	30.44	737	230/460	49.8	2,46,48
50	1800	2700	326T	TEFC	ZDVSCP4115T	8,678	E2	30.44	580	230/460	62.5	2,46,48

(a) See notes on inside back flap and pages 5-6.

**CONTINUOUS CONSTANT TORQUE TO ZERO SPEED**

■ Cast Iron Frame

**V\*S Master Encoder Feedback Kits**

Encoder kits below feature 1024 pulses per revolution unless otherwise noted in the encoder type column. Connector styles include the MS twist lock (MS-TL), military style 10 pin screw tight (MS-ST), and the EPIC latch style (Latch). HS35, RAHS35M and HSD35 feature hollow shaft mounting. The HSD35 carry the Northstar brand. Encoder kits include the encoder and all mounting hardware. IDVSM & IDRPM kits include the mating connector.

Catalog Number	Motor Enclosure	Type	PPR	Frame Size	Mfg.	Mag or Optical	Conn Type	Input Voltage VDC	List Price	Mult. Sym.	Ap'x. Shpg. Wgt.
K99G72	TENV	HS35	1024	180T-250T	BEI	0	MS-ST	5-15	1,337	E8	6
K99G74	TENV	HS35-2048	2048	180T-250T	BEI	0	MS-ST	5-15	1,337	E8	6
K99G76	TENV	HS35	1024	180T-250T	BEI	0	MS-ST	5-24	1,337	E8	6
K99G70	TENV	RAHS35M	1024	180T-250T	Avtron	M	MS-ST	5-24	1,337	E8	9
K99G78	TENV	HSD35	1024	180T-250T	Dynapar	0	Latch	5-26	1,504	E8	8
K99G73	TEFC	HS35	1024	180T-440T	BEI	0	MS-ST	5-15	1,337	E8	6
K99G75	TEFC	HS35-2048	2048	180T-440T	BEI	0	MS-ST	5-24	1,337	E8	6
K99G77	TEFC	HS35	1024	180T-440T	BEI	0	MS-ST	5-24	1,337	E8	6
K99G71	TEFC	RAHS35M	1024	180T-440T	Avtron	M	MS-ST	5-24	1,337	E8	9
K99G79	TEFC	HSD35	1024	180T-440T	Dynapar	0	Latch	5-26	1,504	E8	8
K99G80	TENV	HS35	1024	180T-250T	BEI	0	MS-TL	5-28	1,337	E8	6
K99G81	TEFC	HS35	1024	180T-440T	BEI	0	MS-TL	5-28	1,337	E8	6

**NOTE:** For 56 and 140 IDVSM frame sizes use the kits from the IDM product table above.

Farm Duty Motors

Definite Purpose Motors

Unit Handling Motors

Brake Motors

200 & 575 Volt Motors

IEC Frame Motors

50 Hertz Motors

Inverter/Vector Motors & Controls

DC Motors and Controls

Soft Start & Dynamic Brakes

**Inverter,  
Three Phase,  
TEBC and TENV,  
C-Face,  
Foot Mounted**

**1/3 thru 200 Hp**

**NEMA 56C thru 447T**

**Applications:** Conveyors, pumps, fans, metal processing, compressors, test stands, and material handling equipment.

**Features:** Designed for inverter or vector applications where up to a 1000:1 constant torque speed range is required. Compatible with optional encoder feedback devices for use in closed loop velocity or position control. Meets NEMA MG 1, Part 31. Encoder has mating connector.



Hp	RPM	Max. RPM	NEMA Frame	Enclosure	Catalog Number	List Price	Mult. Sym.	"C" Dim.	Aprx. Wt. (lb)	Full Load Efficiency	Voltage	Full Load Amps	Notes (a)	
1/3	1800	6000	56C	TENV	IDNM3534	416	E2	13.84	29	76	230/460	0.6	2,8,60	
1/2	1800	6000	56C	TENV	IDNM3538	487	E2	13.84	32	75.5	230/460	0.8	2,8,60	
3/4	1800	6000	56C	TENV	IDNM3542	542	E2	13.84	35	80	230/460	1.1	2,8,60	
1	1800	6000	143TC	TEBC	IDM3581T	1,462	E2	19.15	60	87.5	230/460	1.5	2,8,55,70	
			143TC	TEBC	IDM3581T-5	1,462	E2	19.15	61	86.5	575	1.1	2,8,55,70	
			143TC	TENV	IDNM3581T	1,107	E2	14.65	59	81.5	230/460	1.6	2,8,60	
	1200	6000	145TC	TEBC	IDM3582T	1,717	E2	19.15	64	82.5	230/460	1.8	2,8,55,70	
1 1/2	1800	6000	145TC	TEBC	IDM3584T	1,546	E2	19.15	63	88.5	230/460	2.1	2,8,55,70	
			145TC	TEBC	IDM3584T-5	1,546	E2	19.15	62	87.5	575	1.7	2,8,55,70	
			145TC	TENV	IDNM3584T	1,221	E2	14.65	66	82.5	230/460	2.1	2,8,60	
	1200	6000	182TC	TEBC	IDM3667T	1,931	E2	21.71	111	86.5	230/460	2.6	2,8,55,70	
2	1800	6000	145TC	TEBC	IDM3587T	1,653	E2	19.15	68	88.5	230/460	2.7	2,8,55,70	
			145TC	TEBC	IDM3587T-5	1,653	E2	19.15	71	86.5	575	2	2,8,55,70	
			145TC	TENV	IDNM3587T	1,276	E2	14.65	64	84	230/460	2.7	2,8,60	
			182TC	TENV	IDNM3669T	1,481	E2	17.21	92	84	230/460	2.9	2,8,60	
	1200	6000	184TC	TEBC	IDM3664T	1,984	E2	21.71	116	87.5	230/460	3.6	2,8,55,70	
3	1800	6000	184TC	TEBC	IDM3661T	2,113	E2	21.71	104	89.5	230/460	4	2,8,55,70	
			184TC	TEBC	IDM3661T-5	2,113	E2	21.71	103	89.5	575	3.2	2,8,55,70	
			184TC	TENV	IDNM3661T	1,672	E2	17.21	105	88.5	230/460	4	2,8,60	
	1200	6000	213TC	TEBC	IDM3764T	2,595	E2	29.14	172	89.5	230/460	5	2,8,70	
5	1800	6000	184TC	TEBC	IDM3665T	2,235	E2	21.71	120	90.2	230/460	6.5	2,8,55,70	
			184TC	TEBC	IDM3665T-5	2,235	E2	21.71	120	90.2	575	5.2	2,8,55,70	
			184TC	TENV	IDNM3665T	1,865	E2	17.21	112	89.5	230/460	6.6	2,8,60	
			213TC	TENV	IDNM3767T	2,079	E2	20.40	166	89.5	230/460	6.7	2,8,60	
	1200	6000	215TC	TEBC	IDM3768T	3,177	E2	29.14	200	88.5	230/460	8	2,8,70	
7 1/2	1800	6000	254TC	TENV	IDNM2237T	2,586	E2	24.05	238	90.2	230/460	9.1	2,8,60	
			213TC	TEBC	IDM3770T	2,694	E2	29.14	176	91.7	230/460	9.5	2,8,70	
			213TC	TEBC	IDM3770T-5	2,694	E2	30.07	185	90.2	575	7.8	2,8,70	
			213TC	TENV	IDNM3770T	2,158	E2	20.40	196	91.7	230/460	10.1	2,8,60	
	1200	5000	254TC	TEBC	IDM2276T	4,568	E2	33.07	286	91.7	230/460	10.7	2,8,70	
10	1800	6000	5000	256TC	TENV	IDNM2238T	2,706	E2	24.05	281	91.7	230/460	13	2,8,60
			215TC	TEBC	IDM3774T	2,886	E2	29.14	219	92.4	230/460	12.5	2,8,70	
			215TC	TEBC	IDM3774T-5	2,886	E2	30.07	196	91.7	575	10	2,8,70	
	1200	5000	256TC	TEBC	IDM2332T	5,580	E2	33.07	328	91.7	230/460	14.2	2,8,70	
15	1800	5000	254TC	TENV	IDNM2333T	2,787	E2	24.05	286	94.1	230/460	18.5	2,8,60	
			256TC	TEBC	IDM2333T	3,138	E2	33.07	255	92.4	230/460	18.5	2,8,70	
			256TC	TEBC	IDM2333T-5	3,138	E2	34.15	255	92.4	575	14.8	2,8,70	
	1200	4000	284T	TEBC	IDM4100T	6,616	E2	36.48	422	93	230/460	19.7	2,8,45,70	
20	1800	5000	256TC	TEBC	IDM2334T	3,352	E2	33.07	286	93	230/460	24	2,8,70	
			256TC	TEBC	IDM2334T-5	3,352	E2	34.15	286	93	575	19	2,8,70	
			284T	TENV	IDNM2334T	3,851	E2	27.36	410	94.5	230/460	25.5	2,8,45,60	
			286T	TEBC	IDM4102T	7,449	E2	36.48	451	93	230/460	26	2,8,45,70	

(a) See notes on inside back flap and pages 5-6.

Constant velocity fan: 115 volts, single phase from 143TC through 184TC and all 575 volt drive motors.

Constant velocity fan: 230/460, three phase from 213 TC through 447T.

May be converted to C-Face in Mod Express or built as custom motors.

Consult District Office for availability of 2 pole motors and C-Face motors for 284T through 5009L frames.

**1000:1 CONSTANT TORQUE SPEED RANGE**

■ Cast Iron Frame

Farm Duty Motors

Definite Purpose Motors

Unit Handling Motors

Brake Motors

200 & 575 Volt Motors

IEC Frame Motors

50 Hertz Motors

Inverter/Vector Motors & Controls

DC Motors and Controls

Soft Starters & Dynamic Brakes

**Inverter, Three Phase, TEBC and TENV, C-Face, Foot Mounted**

Hp	RPM	Max. RPM	NEMA Frame	Enclosure	Catalog Number	List Price	Mult. Sym.	"C" Dim.	Aprx. Wt. (lb)	Full Load Efficiency	Voltage	Full Load Amps	Notes (a)
25	1800	4000	286T	TEBC	<b>IDM4103T</b>	4,133	E2	36.48	424	93.6	230/460	30	2,8,45,70
	1200	3500	324T	TEBC	<b>IDM4111T</b>	8,489	E2	39.24	565	93	230/460	32	2,8,45,70
30	1800	4000	286T	TEBC	<b>IDM4104T</b>	4,741	E2	36.48	455	94.1	230/460	36	2,8,45,70
	1200	3800	326T	TEBC	<b>IDM4117T</b>	9,448	E2	39.24	596	93	230/460	38	2,8,45,70
40	1800	3900	324T	TEBC	<b>IDM4110T</b>	6,411	E2	39.24	608	94.5	230/460	47	2,8,45,70
50	1800	3900	326T	TEBC	<b>IDM4115T</b>	7,196	E2	39.24	632	94.5	230/460	57	2,8,45,70
60	1200	2800	404T	TEBC	<b>IDM4403T</b>	14,685	E2	46.68	1,196	94.5	230/460	72	2,8,45,70
75	1800	3600	365T	TEBC	<b>IDM4316T</b>	9,667	E2	41.58	908	95.4	230/460	84	2,8,45,70
	1200	2800	405T	TEBC	<b>IDM4404T</b>	17,101	E2	46.68	1,165	95	230/460	88	2,8,45,70
150	1800	2400	445T	TEBC	<b>IDM4406T-4</b>	22,243	E2	51.98	1,630	95.8	460	173	2,8,45,70
200	1800	2400	447T	TEBC	<b>IDM4407T-4</b>	25,488	E2	55.49	2,242	96.2	460	224	2,8,45,70

(a) See notes on inside back flap and pages 5-6.

Constant velocity fan: 115 volts, single phase from 143TC through 184TC and all 575 volt drive motors.

Constant velocity fan: 230/460, three phase from 213 TC through 447T.

May be converted to C-Face in Mod Express or built as custom motors.

Consult District Office for availability of 2 pole motors and C-Face motors for 284T through 5009L frames.

**1000:1 CONSTANT TORQUE SPEED RANGE**

■ Cast Iron Frame

Farm Duty Motors

Definite Purpose Motors

Unit Handling Motors

Brake Motors

200 & 575 Volt Motors

IEC Frame Motors

50 Hertz Motors

Inverter/Vector Motors & Controls

DC Motors and Controls

Soft Start & Dynamic Brakes

**Inverter Motor,  
Paint Free,  
Three Phase,  
Totally Enclosed,  
C-Face**

**1/2 thru 10 Hp**

**NEMA 56C thru 215TC**

**Applications:** Conveyors, pumps and other equipment in food processing and severe environments where motors receive washdown on a regular basis.

**Features:** Includes all the advantages of our standard "Paint Free" washdown duty motors. Specifically designed and built for use on adjustable speed drives. For adjustable speed applications not requiring full torque at zero speed. Not encoder adaptable. 1.00 Service Factor. Class "H" insulated.



Hp	RPM	Max. RPM	NEMA Frame	Enclosure	Catalog Number	List Price	Mult. Sym.	"C" Dim.	Aprx. Wt. (lb)	Full Load Efficiency	Voltage	Full Load Amps	Notes (a)
<b>C-Face, Foot Mounted</b>													
1/2	1800	6000	56C	TENV	IDCSWDM3538	1,305	E2	11.07	29	82.5	230/460	0.8	2,8,48,60,77
3/4	1800	6000	56C	TENV	IDCSWDM3542	1,478	E2	12.07	36	78.5	230/460	1	2,8,48,60,77
1	1800	3600	56C	TENV	IDCSWDM3546	1,535	E2	12.07	39	85.5	208-230/460	1.4	2,8,48,60,77
			143TC	TENV	IDCSWDM3546T	1,535	E2	12.12	39	85.5	208-230/460	1.4	2,8,48,60,77
1 1/2	1800	4000	56C	TEFC	IDCSWDM3554	1,642	E2	13.30	45	87.5	230/460	2.1	2,8,48,60,77
			145TC	TEFC	IDCSWDM3554T	1,642	E2	13.30	44	87.5	230/460	2.1	2,8,48,60,77
2	1800	3600	56C	TEFC	IDCSWDM3558	1,753	E2	14.12	47	86.5	230/460	2.5	2,8,48,60,77
			145TC	TEFC	IDCSWDM3558T	1,753	E2	14.18	52	86.5	230/460	2.5	2,8,48,60,77
3	1800	6000	182TC	TEFC	IDCSWDM3611T	1,923	E2	16.56	74	89.5	230/460	4	2,8,48,60,77
5	1800	6000	184TC	TEFC	IDCSWDM3615T	2,238	E2	18.06	93	90.2	230/460	6.4	2,8,48,60,77
7 1/2	1800	6000	213TC	TEFC	IDCSWDM3710T	3,389	E2	19.81	140	91.7	230/460	9.5	2,8,48,60,77
10	1800	6000	215TC	TEFC	IDCSWDM3714T	3,875	E2	21.31	187	92.4	230/460	12.5	2,8,48,60,77
<b>C-Face, Footless</b>													
1/2	1800	6000	56C	TENV	IDVSWDM3538	1,295	E2	11.07	29	82.5	230/460	0.8	2,8,48,60,77
3/4	1800	6000	56C	TENV	IDVSWDM3542	1,472	E2	12.07	36	78.5	230/460	1	2,8,48,60,77
1	1800	3600	56C	TENV	IDVSWDM3546	1,527	E2	12.07	39	85.5	208-230/460	1.4	2,8,48,60,77
			143TC	TENV	IDVSWDM3546T	1,527	E2	12.12	39	85.5	208-230/460	1.4	2,8,48,60,77
1 1/2	1800	4000	56C	TEFC	IDVSWDM3554	1,633	E2	13.24	42	87.5	230/460	2.1	2,8,48,60,77
			145TC	TEFC	IDVSWDM3554T	1,633	E2	13.30	43	87.5	230/460	2.1	2,8,48,60,77
2	1800	3600	56C	TEFC	IDVSWDM3558	1,739	E2	14.12	49	86.5	230/460	2.5	2,8,48,60,77
			145TC	TEFC	IDVSWDM3558T	1,739	E2	14.18	49	86.5	230/460	2.5	2,8,48,60,77
3	1800	6000	182TC	TEFC	IDVSWDM3611T	1,829	E2	16.56	73	89.5	230/460	4	2,8,48,60,77
5	1800	6000	184TC	TEFC	IDVSWDM3615T	2,132	E2	18.06	101	90.2	230/460	6.4	2,8,48,60,77

(a) See notes on inside back flap and pages 5-6.

Farm Duty Motors

Definite Purpose Motors

Unit Handling Motors

Brake Motors

200 & 575 Volt Motors

IEC Frame Motors

50 Hertz Motors

Inverter/Vector Motors & Controls

DC Motors and Controls

Soft Starters & Dynamic Brakes

**Inverter,  
Explosion Proof,  
Three Phase, TEFC,  
Class I, Group D**

**1/2 thru 75 Hp**

**NEMA 56C thru 405T**

**Applications:** Designed for use in hazardous locations with Inverters.

**Features:** UL and CSA approved for hazardous locations. 1/3 through 2 Hp Class I, Group D, Class II, Groups F & G, Temperature Code T3C (160°C). 3 Hp and larger, Class I, Group D only, Temperature Code T2B (280°C). Class F insulation, ISR (Inverter Spike Resistant) magnet wire, 1.0 service factor, thermostats. All ratings constant horsepower 60 to 90 Hz. Not encoder adaptable. Meets NEMA MG 1, Part 31.



Hp	RPM	Max. RPM	NEMA Frame	Catalog Number	XP <sup>(a)</sup> Cls/Grp	List Price	Mult. Sym.	"C" Dim.	Aprx. Wt. (lb)	Full Load Efficiency	Voltage	Full Load Amps	Notes <sup>(b)</sup>
<b>2:1 Constant Torque, 10:1 Variable Torque Ratings</b>													
3	1800	2700	182TC	IDX7142T	Ⓢ	1,444	E2	18.24	142	89.5	230/460	4	2,20
5	1800	2700	184TC	IDX7144T	Ⓢ	1,717	E2	18.24	158	89.5	230/460	6.5	2,20
7 1/2	1800	2700	213TC	IDX7147T	Ⓢ	2,159	E2	20.69	228	91.7	230/460	9.5	2,20
10	1800	2700	215TC	IDX7170T	Ⓢ	2,961	E2	20.69	196	92.4	208-230/460	12.5	2,20
15	1800	2700	254TC	IDX7054T	Ⓢ	3,391	E2	26.00	356	92.4	230/460	18	2,20
20	1800	2700	256TC	IDX7056T	Ⓢ	4,400	E2	26.00	393	93	230/460	24	2,20
25	1800	2700	284T	IDX7058T	Ⓢ	5,213	E2	28.61	541	93.6	230/460	30.5	2,20
30	1800	2700	286T	IDX7060T	Ⓢ	6,359	E2	28.61	561	94.1	230/460	36	2,20
40	1800	2700	324T	IDX7062T	Ⓢ	8,518	E2	32.12	782	94.5	230/460	46	2,20
50	1800	2700	326T	IDX7064T	Ⓢ	9,910	E2	32.12	785	94.5	230/460	57	2,20
60	1800	2700	364T	IDX7066T	Ⓢ	11,315	E2	33.25	967	95	230/460	69	2,20
75	1800	2700	405T	IDX7068T	Ⓢ	12,543	E2	38.75	1,259	94.1	230/460	85	2,20,45
<b>10:1 Constant Torque and Variable Torque Ratings</b>													
1/3	1800	2700	56C	IDX7002	Ⓢ	1,002	E2	12.55	17	—	230/460	0.6	2,20
1/2	1800	2700	56C	IDX7006	Ⓢ	1,029	E2	14.30	39	82.5	230/460	0.8	2,20
3/4	1800	2700	56C	IDX7010	Ⓢ	1,052	E2	14.30	43	82.5	230/460	1.1	2,20
1	1800	2700	143TC	IDX7014T	Ⓢ	1,172	E2	15.23	47	87.5	230/460	1.5	2,20
1 1/2	1800	2700	145TC	IDX7034T	Ⓢ	1,214	E2	16.10	53	88.5	230/460	2.1	2,20
2	1800	2700	145TC	IDX7037T	Ⓢ	1,327	E2	17.48	67	88.5	230/460	2.6	2,20
3	1800	2700	182TC	IDX7542T	Ⓢ	1,515	E2	18.24	141	89.5	230/460	4	2,20
5	1800	2700	213TC	IDX7544T	Ⓢ	2,207	E2	20.65	212	90.2	230/460	6.3	2,20
7 1/2	1800	2700	215TC	IDX7547T	Ⓢ	3,103	E2	20.65	225	91.7	230/460	9.5	2,20
10	1800	2700	254TC	IDX7570T	Ⓢ	3,473	E2	26.00	378	91.7	230/460	13	2,20
15	1800	2700	256TC	IDX7554T	Ⓢ	4,504	E2	26.00	381	92.4	230/460	17	2,20
20	1800	2700	284T	IDX7556T	Ⓢ	5,462	E2	28.61	523	90.2	230/460	24.5	2,20
25	1800	2700	324T	IDX7558T	Ⓢ	6,577	E2	32.12	742	91.7	230/460	30	2,20
30	1800	2700	326T	IDX7560T	Ⓢ	7,654	E2	32.12	747	94.5	230/460	35	2,20
40	1800	2700	364T	IDX7562T	Ⓢ	8,562	E2	33.25	913	93.6	230/460	46	2,20
50	1800	2700	365T	IDX7564T	Ⓢ	10,681	E2	33.25	971	93.6	230/460	61	2,20
60	1800	2700	405T	IDX7566T	Ⓢ	12,652	E2	38.75	1,265	93.6	230/460	69	2,20

<sup>(a)</sup> See explosion proof symbols on inside back flap.

<sup>(b)</sup> See notes on inside back flap and pages 5-6.

■ Cast Iron Frame

Farm Duty Motors

Definite Purpose Motors

Unit Handling Motors

Brake Motors

200 & 575 Volt Motors

IEC Frame Motors

50 Hertz Motors

Inverter/Vector Motors & Controls

DC Motors and Controls

Soft Start & Dynamic Brakes



**Vector,  
Three Phase,  
TEBC and TENV,  
C-Face**

**1 thru 150 Hp**

**NEMA 56 thru 445T**



**Applications:** Test stands, material handling, packaging equipment, printing presses, etc.

**Features:** Applications requiring adjustable speed operation with full torque from zero to base speed and constant horsepower to maximum speed. Includes HS25 or HS35 encoder feedback with MS connector. Meets NEMA MG 1, Part 31.

Hp	RPM	Max. RPM	NEMA Frame	Enclosure	Catalog Number	List Price	Mult. Sym.	"C" Dim.	Aprx. Wt. (lb)	Full Load Efficiency	Voltage	Full Load Amps	Notes (a)
1	1800	6000	143TC	TEBC	ZDM3581T	2,772	E2	19.15	62	87.5	230/460	1.5	2,8,46,55,60,70
			143TC	TEBC	ZDM3581T-5	2,772	E2	19.15	64	86.5	575	1.1	2,8,46,55,70
			143TC	TENV	ZDNM3581T	2,418	E2	14.65	56	81.5	230/460	1.6	2,8,46,55
1 1/2	1800	6000	143TC	TEBC	ZDM3582T	3,027	E2	19.15	66	82.5	230/460	1.8	2,8,46,55,70
			145TC	TEBC	ZDM3584T	2,857	E2	19.15	63	88.5	230/460	2.1	2,8,46,55,60,70
			145TC	TEBC	ZDM3584T-5	2,857	E2	19.15	68	87.5	575	1.7	2,8,46,55
1 1/2	1200	6000	145TC	TENV	ZDNM3584T	2,531	E2	14.65	65	82.5	230/460	2.1	2,8,46,55
			182TC	TEBC	ZDM3667T	3,242	E2	21.71	110	86.5	230/460	2.6	2,8,46,55,70
			145TC	TEBC	ZDM3587T	2,962	E2	19.15	69	88.5	230/460	2.7	2,8,46,55,70
2	1800	6000	145TC	TEBC	ZDM3587T-5	2,962	E2	19.15	69	86.5	575	2	2,8,46,55,70
			182TC	TENV	ZDNM3669T	2,792	E2	17.21	94	84	230/460	2.9	2,8,46,55,60
			184TC	TEBC	ZDM3664T	3,295	E2	21.71	118	87.5	230/460	3.6	2,8,46,55,70
3	1800	6000	182TC	TEBC	ZDM3661T	3,423	E2	21.71	106	89.5	230/460	4	2,8,46,55,70
			182TC	TEBC	ZDM3661T-5	3,423	E2	21.71	105	89.5	575	3.2	2,8,46,55,70
			184TC	TENV	ZDNM3661T	2,984	E2	17.21	108	88.5	230/460	4	2,8,46,55,60
3	1200	6000	213TC	TEBC	ZDM3764T	3,905	E2	29.14	174	89.5	230/460	5	2,8,46,70
			184TC	TEBC	ZDM3665T	3,545	E2	21.71	121	90.2	230/460	6.5	2,8,46,55,70
			184TC	TEBC	ZDM3665T-5	3,545	E2	21.71	123	90.2	575	5.2	2,8,46,55,70
5	1800	6000	213TC	TENV	ZDNM3767T	3,389	E2	20.40	167	91	230/460	6.7	2,8,46,60
			215TC	TEBC	ZDM3768T	4,487	E2	29.14	200	88.5	230/460	8	2,8,46,70
			256TC	TENV	ZDNM2237T	3,897	E2	24.05	250	90.2	230/460	9.1	2,8,46,60
7 1/2	1800	6000	213TC	TEBC	ZDM3770T	4,004	E2	29.14	177	91.7	230/460	9.5	2,8,46,70
			213TC	TEBC	ZDM3770T-5	4,004	E2	30.07	169	90.2	575	7.8	2,8,46,70
			254TC	TEBC	ZDM2276T	5,878	E2	33.07	282	91.7	230/460	10.7	2,8,46,70
10	1800	6000	254TC	TENV	ZDNM2238T	4,017	E2	24.05	289	91.7	230/460	13	2,8,46,60
			215TC	TEBC	ZDM3774T	4,196	E2	29.14	196	92.4	230/460	12.5	2,8,46,70
			215TC	TEBC	ZDM3774T-5	4,196	E2	30.07	196	91.7	575	10	2,8,46,70
10	1200	5000	256TC	TEBC	ZDM2332T	6,890	E2	33.07	324	91.7	230/460	14.2	2,8,46,70
			254TC	TENV	ZDNM2333T	4,098	E2	24.05	286	94.1	230/460	18.5	2,8,46,60
			256TC	TEBC	ZDM2333T	4,448	E2	33.07	301	92.4	230/460	18.5	2,8,46,70
15	1800	5000	256TC	TEBC	ZDM2333T-5	4,448	E2	34.15	310	92.4	575	14.8	2,8,46,70
			284T	TEBC	ZDM4100T	7,925	E2	36.48	426	93	230/460	19.7	2,8,45,46,70
			256TC	TEBC	ZDM2334T	4,663	E2	33.07	286	93	230/460	24	2,8,46,70
20	1800	5000	256TC	TEBC	ZDM2334T-5	4,663	E2	34.15	286	93	575	19	2,8,46,70
			284T	TENV	ZDNM2334T	5,162	E2	27.36	420	94.5	230/460	25.5	2,8,45,46,60
			286T	TEBC	ZDM4102T	8,760	E2	36.48	476	93	230/460	26	2,8,45,46,70
25	1800	4000	284T	TEBC	ZDM4103T	5,442	E2	36.48	424	93.6	230/460	30	2,8,45,46,70
			324T	TEBC	ZDM4111T	9,801	E2	39.24	566	93	230/460	32	2,8,45,46,70
30	1800	4000	286T	TEBC	ZDM4104T	6,052	E2	36.48	452	94.1	230/460	36	2,8,45,46,70
			326T	TEBC	ZDM4117T	10,759	E2	39.24	594	93	230/460	38	2,8,45,46,70
40	1800	3900	324T	TEBC	ZDM4110T	7,720	E2	39.24	606	94.5	230/460	47	2,8,45,46,70
			364T	TEBC	ZDM4308T	12,177	E2	41.58	808	94.1	230/460	49	2,8,45,46,70
50	1800	3900	326T	TEBC	ZDM4115T	8,506	E2	39.24	679	94.5	230/460	57	2,8,45,46,70
75	1200	2800	405T	TEBC	ZDM4404T	18,411	E2	46.68	1,167	95	230/460	88	2,8,45,46,70
150	1800	2400	445T	TEBC	ZDM4406T-4	23,555	E2	51.98	1,798	95.8	460	173	2,8,45,46,70

(a) See notes on inside back flap and pages 5-6.

Consult District Office for availability of 2 pole motors and C-Face motors for 284T through 5009L frames.

**FULL TORQUE AT ZERO SPEED, 1000:1 CONSTANT TORQUE SPEED RANGE.**

■ Cast Iron Frame

Farm Duty Motors

Definite Purpose Motors

Unit Handling Motors

Brake Motors

200 & 575 Volt Motors

IEC Frame Motors

50 Hertz Motors

Inverter/Vector Motors & Controls

DC Motors and Controls

Soft Starters & Dynamic Brakes



Farm Duty Motors

Definite Purpose Motors

Unit Handling Motors

Brake Motors

200 & 575 Volt Motors

IEC Frame Motors

50 Hertz Motors

Inverter/Vector Motors & Controls

DC Motors and Controls

Soft Start & Dynamic Brakes

**Inverter Motor, Three Phase, TENV, C-Face, Foot Mounted**

**1 thru 10 Hp**

**NEMA 143TC thru 254TC**

**Applications:** Conveyors, pumps and other equipment in food processing and other wet environments.

**Features:** Designed for inverter or vector applications where up to a 1000:1 constant torque speed range is required. Provisions for mounting optional HS25 encoder feedback devices shown on page 210 for use in closed loop velocity or position control. Meets NEMA MG 1, Part 31. 1.00 Service Factor. Class "H" insulated.



Hp	RPM	Max. RPM	NEMA Frame	Catalog Number	List Price	Mult. Sym.	"C" Dim.	Aprx. Wt. (lb)	Full Load Efficiency	Voltage	Full Load Amps	Notes (a)
1	1800	6000	143TC	IDWNM3546T	1,305	E2	14.90	39	86.5	230/460	1.4	2,8,48,60,77
1 1/2	1800	6000	145TC	IDWNM3554T	1,438	E2	15.78	50	87.5	230/460	2.1	2,8,48,60,77
2	1800	6000	182TC	IDWNM3609T	1,584	E2	17.77	69	84	230/460	2.9	2,8,48,60,77
3	1800	6000	184TC	IDWNM3611T	1,726	E2	17.77	80	88.5	230/460	4	2,8,48,60,77
5	1800	6000	213TC	IDWNM3707T	1,953	E2	19.84	119	89.5	230/460	6.7	2,8,48,60,77
7 1/2	1800	5000	254TC	IDWNM22937T	3,026	E2	23.92	242	91	230/460	9.1	2,8,48,60,77
10	1800	5000	254TC	IDWNM22938T	3,544	E2	23.92	291	91.7	230/460	12	2,8,48,60,77

(a) See notes on inside back flap and pages 5-6.

**1000:1 CONSTANT TORQUE SPEED RANGE**

**Vector Motor, Three Phase, TENV, C-Face, Foot Mounted**

**1 thru 10 Hp**

**NEMA 143TC thru 254TC**

**Applications:** Material handling, packaging equipment in food processing and other wet environments.

**Features:** Designed for inverter or vector applications where up to a 1000:1 constant torque speed range is required. Motors include 1024 PPR HS25 encoder feedback with MS connector. Meets NEMA MG 1, Part 31. 1.00 Service Factor. Class "H" insulated.



Hp	RPM	Max. RPM	NEMA Frame	Catalog Number	List Price	Mult. Sym.	"C" Dim.	Aprx. Wt. (lb)	Full Load Efficiency	Voltage	Full Load Amps	Notes (a)
1	1800	6000	143TC	ZDWNM3546T	2,616	E2	14.90	42	86.5	230/460	1.4	2,8,46,60,77
1 1/2	1800	6000	145TC	ZDWNM3554T	2,749	E2	15.78	51	87.5	230/460	2.1	2,8,46,60,77
2	1800	6000	182TC	ZDWNM3609T	2,895	E2	17.77	71	84	230/460	2.9	2,8,46,60,77
3	1800	6000	184TC	ZDWNM3611T	3,039	E2	17.77	79	88.5	230/460	4	2,8,46,60,77
5	1800	6000	213TC	ZDWNM3707T	3,266	E2	19.84	125	89.5	230/460	6.7	2,8,46,60,77
7 1/2	1800	5000	254TC	ZDWNM22937T	4,339	E2	23.92	240	91	230/460	9.1	2,8,46,60,77
10	1800	5000	254TC	ZDWNM22938T	4,857	E2	23.92	292	91.7	230/460	12	2,8,46,60,77

(a) See notes on inside back flap and pages 5-6.

**1000:1 CONSTANT TORQUE SPEED RANGE**

**Vector,  
Elevator Duty,  
Three Phase, ODP**

**10 thru 75 Hp**

**NEMA 256T thru 405T**

**Applications:** Elevator modernizations where a premium efficient, quiet, high torque motor is required.

**Features:** Cast iron frame and endplates, electrically isolated 1024 PPR HS35 optical encoder with connector, Class H insulation, 50°C rise, 320% minimum breakdown torque, winding thermostat, 1/8" shaft endplay. Superior insulation system designed to comply with NEMA MG-1 part 31 for inverter power.



Hp	RPM	Max. RPM	NEMA Frame	Catalog Number	List Price	Mult. Sym.	"C" Dim.	Aprx. Wt. (lb)	Full Load Efficiency	Voltage	Full Load Amps	Notes (a)
10	1200	1800	256T	ZDME2511T-CI	4,684	E2	24.70	280	89.5	230/460	17	2,8,46
15	1200	1800	286T	ZDME2524T-CI	5,503	E2	27.35	391	90.2	230/460	21	2,8,46
20	1200	1800	286T	ZDME2528T-CI	6,214	E2	27.35	420	90.2	230/460	28	2,8,46
25	1200	1800	324T	ZDME2532T-CI	7,461	E2	28.54	522	91.7	230/460	32	2,8,46
30	1200	1800	326T	ZDME2536T-CI	7,598	E2	30.04	557	91.7	230/460	39	2,8,46
40	1200	1800	364T	ZDME2540T-CI	8,390	E2	32.49	725	91.7	230/460	59	2,8,46
50	1200	1800	365T	ZDME2544T-CI	9,249	E2	32.49	815	91	230/460	70	2,8,46
60	1200	1800	404T	ZDME2548T-CI	11,686	E2	36.80	1,077	91.7	460	74	2,8,46
75	1200	1800	405T	ZDME2552T-CI	12,728	E2	36.80	1,162	91.7	460	90	2,8,46

(a) See notes on inside back flap and pages 5-6.

■ Cast Iron Frame

**Inverter Gear Motor - 3/8 Hp  
Right Angle and  
Parallel Shaft -TEFC**

**Applications:** Ideally suited for conveyors, material handling, packaging equipment applications requiring adjustable speed and no maintenance. Available in a broad range of gear ratios to meet your demanding application needs.

**Features:** Superior insulation system designed to comply with NEMA MG-1 part 31 for inverter power. IP44 environmental protection. Designed for use on Baldor Series 15J, 15P and Series 5 Inverters operating on 230 volts output. Both Parallel shaft and Right Angle gearmotors are lubricated for life and require no routine maintenance. Right Angle gearmotors feature our internal oil expansion bladder which eliminates the need for a breather while allowing the gearmotor to be mounted in any position (see note below).



Input Motor Hp	Output RPM 60 Hz.	Gear Ratio	Speed Range	Maximum Safe Torque In-Lbs @ 60 Hz	Catalog Number	List Price	Mult. Sym.	Ap'x. Shpg. Wgt.	Motor Type & Gear Style	Volt Code
<b>Right Angle</b>										
3/8	22	75	3.4-33	315	IDGM2509	644	E2	22	2528M-K	C
	28	60	4.5-41	252	IDGM2508	644	E2	22	2528M-K	C
	41	40	6.6-62	228	IDGM2506	644	E2	22	2528M-K	C
	83	20	12-123	138	IDGM2503	644	E2	22	2528M-K	C
	165	10	23-246	105	IDGM2501	644	E2	22	2528M-K	C
	330	5	43-490	68	IDGM2500	644	E2	22	2528M-K	C
<b>Parallel Shaft</b>										
3/8	55	30	8.0-82	350	IDGMP2505	624	E2	20	2528M-PS	C
	83	20	12-123	233	IDGMP2503	588	E2	20	2528M-PS	C
	165	10	23-246	116	IDGMP2501	588	E2	20	2528M-PS	C
	330	5	43-490	58	IDGMP2500	588	E2	20	2528M-PS	C

**NOTE:** Avoiding those positions where the high speed oil seal is immersed in oil, will provide greater security against seal wear. Vertical motor below gearbox mounting is possible with modification, contact Baldor for details. Voltage: @ 60 Hz: C = 230 volts

Farm Duty Motors

Definite Purpose Motors

Unit Handling Motors

Brake Motors

200 & 575 Volt Motors

IEC Frame Motors

50 Hertz Motors

Inverter/Vector Motors & Controls

DC Motors and Controls

Soft Starters & Dynamic Brakes

## Feedback Cable Assembly with MS Connector



For the convenience of our customers, we offer a connector plug/cable assembly for Vector and DC motors. This assembly provides the connection from the encoder to the control. The twisted pair shielded cable provides additional noise protection. The assembly decreases installation time and effort. Recommended for Vector Drive and DC applications. For ZDM, ZDNM and ZDWNM motors. Uses Baldor style MS twist lock connector.

Catalog Number	Cable Extension Length	List Price	Mult. Sym.	Ap'x Shpg. Wgt.
<b>CBL015ZD-2</b>	5 Ft = 1.5 Meters	183	E8	1
<b>CBL030ZD-2</b>	10 Ft = 3 Meters	213	E8	1
<b>CBL046ZD-2</b>	15 Ft = 4.6 Meters	243	E8	2
<b>CBL061ZD-2</b>	20 Ft = 6.1 Meters	269	E8	2
<b>CBL091ZD-2</b>	30 Ft = 9.1 Meters	328	E8	3
<b>CBL152ZD-2</b>	50 Ft = 15.2 Meters	442	E8	6
<b>CBL229ZD-2</b>	75 Ft = 22.9 Meters	585	E8	8
<b>CBL305ZD-2</b>	100 Ft = 30.5 Meters	729	E8	12
<b>CBL379ZD-2</b>	125 Ft = 37.9 Meters	874	E8	14
<b>CBL455ZD-2</b>	150 Ft = 45.5 Meters	948	E8	2
<b>CBL606ZD-2</b>	200 Ft = 60.6 Meters	1,304	E8	16

## Encoder Feedback Kits for IDM, IDNM and IDWNM Motors

**For use with Legacy Baldor Motor Designs**



Encoder kits below feature 1024 pulses per revolution unless otherwise noted in the encoder type column. Connector styles include the MS twist lock (MS-TL), military style 10 pin screw tight (MS-ST), and the EPIC latch style (Latch). HS35, HS35M and HSD35 feature hollow shaft mounting. The HSD35 carry the Northstar brand. The H20 is a couple mount encoder. The RL67 and SL85 are bearingless encoders and both carry the Northstar brand. Encoder kits include the encoder and all mounting hardware.

Catalog Number	Type Enclosure	Description	Magnetic or Optical	Input Voltage	NEMA Frame	List Price	Ap'x. Mult. Sym.	Shpg. Wgt.
<b>ENC00NV-A2</b>	TENV	HS35M Avtron	Magnetic	5-24 VDC	213T-215T	1,337	E8	1
<b>ENC00NV-B1</b>	TENV	HS25 BEI	Optical	5-15 VDC	56-215T	1,337	E8	2
<b>ENC00NV-D1</b>	TENV	HS35 Dynapar	Optical	5-24 VDC	56-215T	1,504	E8	4
<b>ENC01BC-B1</b>	TEBC	HS25 BEI	Optical	5-15 VDC	143T-215T	1,337	E8	3
<b>ENC01BC-D1</b>	TEBC	HS35 Dynapar	Optical	5-24 VDC	56-215T	1,504	E8	4
<b>ENC01NV-A2</b>	TENV	HS35M Avtron	Magnetic	5-24 VDC	254T-256T	1,337	E8	1
<b>ENC01NV-B2</b>	TENV	HS35 BEI	Optical	5-15 VDC	254T-284T	1,337	E8	4
<b>ENC01NV-D1</b>	TENV	HS35 Dynapar	Optical	5-24 VDC	254T-256T	1,504	E8	4
<b>ENC02BC-A2</b>	TEBC	HS35M Avtron	Magnetic	5-24 VDC	254T-447T	1,337	E8	1
<b>ENC02BC-B2</b>	TEBC	HS35 BEI	Optical	5-15 VDC	254T-447T	1,337	E8	2
<b>ENC02BC-D1</b>	TEBC	HS35 Dynapar	Optical	5-24 VDC	254T-447T	1,504	E8	4

**NOTE:** For 56 and 140 IDVSM frame sizes use the kits from the table above.

**Constant Velocity Blower Cooling Conversion Kits**

**NEMA 143TC thru 447TC**

**For use with Legacy Baldor Motor Designs**



These kits convert TENV or TEFC AC motors to a Totally Enclosed Blower Cooled (TEBC) design. This is advantageous where continuous cooling is required regardless of motor shaft speed. These kits can be mounted on the back of the motor after removing the fan guard and fan. Removing the TEFC fan shaft is not required. Does not fit Athens-built 180-440 M, CP or ECP motors

Voltage	Phase	NEMA Frame	Catalog Number	List Price	Mult. Sym.	Ap'x. Shpg. Wgt.
115	1	143TC-145TC	<b>BLWL05-L</b>	754	E8	7
		182TC-184TC	<b>BLWL06-L</b>	850	E8	8
		213TC-215TC	<b>BLWL07-L</b>	892	E8	13
		254TC-256TC	<b>BLWL09-L</b>	916	E8	5
		284TC-286TC	<b>BLWL10-L</b>	990	E8	35
		324TC-326TC	<b>BLWL12-L</b>	1,051	E8	46
		364TC-365TC	<b>BLWL14-L</b>	1,118	E8	55
230/380/460	3	213TC-215TC	<b>BLWM07-F</b>	892	E8	20
		254TC-256TC	<b>BLWM09-F</b>	926	E8	27
		284TC-286TC	<b>BLWM10-F</b>	990	E8	35
		324TC-326TC	<b>BLWM12-F</b>	1,051	E8	46
		364TC-365TC	<b>BLWM14-F</b>	1,130	E8	55
		404TC-405TC	<b>BLWM16-F</b>	1,580	E8	70
		444TC-447TC	<b>BLWM18-F</b>	2,213	E8	87

**NOTE:** Blower cooling conversion kits should be further selected by Baldor motor type as noted within the catalog number. As an example: BLWM10-F fits a 310M type also built as a 324-326TC. Does not fit Athens-built 180-440 M, CP or ECP motors.

Farm Duty Motors

Definite Purpose Motors

Unit Handling

Brake Motors

200 & 575 Volt Motors

IEC Frame Motors

50 Hertz Motors

Inverter/Vector Motors & Controls

DC Motors and Controls

Soft Starters & Dynamic Brakes

**BSM-Series  
Brushless Motors  
with Hall Feedback  
C-face with base**

**1/4 thru 3 Hp**

**NEMA 42-56C**

**Applications:** Conveyors, Pumps, Mixers, Packaging Machinery.



**Features:** NEMA 42/56 foot/base mount, Hall sensor feedback, Face/Foot mount, High energy Neodymium magnets, Premium 200°C moisture resistant wire, ABEC Quality Class 3 bearings, High 155°C winding temperature design, UL/CE/cUL. Speed range to 7,000 RPM.

HP/Kw	RPM	NEMA Frame	Catalog Number	List Price	Mult. Sym.	"C" Dim.	Aprx. Wt. (lb)	Voltage
<b>C-Face, Footless</b>								
0.25/0.18	1800	42C	<b>BSM25C-1177MHC</b>	311	E4	7.95	13	320
0.5/0.37	1800	42C	<b>BSM25C-2177MHC</b>	324	E4	8.41	9	320
<b>C-Face, Foot Mounted</b>								
0.5/0.37	1800	56C	<b>BSM33C-2177MHQ</b>	524	E4	8.76	33	320
1/0.75	1800	56C	<b>BSM33C-3177MHQ</b>	577	E4	9.86	22	320
1.5/1.13	1800	56C	<b>BSM33C-4177MHQ</b>	661	E4	12.2	25	320
2/1.5	1800	56C	<b>BSM33C-5177MHQ</b>	722	E4	15.2	30	320
3/2.25	1800	56C	<b>BSM33C-6177MHQ</b>	885	E4	16.7	31	320

**NOTE:** For operation, the appropriate HP rated BMC control must be ordered.

**BMC-Series  
Adjustable Speed  
Brushless Control**

**Applications:** Conveyors, Pumps, Mixers, Packaging Machinery



**Features:** Speed regulation better than 0.5%, Peak current two times continuous, Jumper selections: line voltage, motor poles, automatic/manual start, braking, Diagnostic LED's, Industry standard speed command of +/- 10 Vdc or pot input, Diagnostic LEDs, Trimpot adjustments, Accel/decel time 0.1 - 30 sec

Rating Hp/Kw	Input Vac 50/60Hz	Phase	Output			Catalog Number	List Price	Mult. Sym.	Height in/mm	Width in/mm	Length in/mm
			VDC	Cont.Amps	Peak Amps						
.25/0.18	115/208/230	1	320	1.5	3	<b>BMC6A01</b>	399	E3	2.75/70	4.05/103	5.4/136
.05/0.37	115/208/230	1	320	2.4	4.8	<b>BMC6A02</b>	435	E3	2.75/70	4.05/103	5.4/136
1/0.75	115/208/230	1	320	4.0	8	<b>BMC6A04</b>	479	E3	5/127	4.05/103	6.8/172
1.5/1.13	115/208/230	1	320	5.5	11	<b>BMC6A05</b>	515	E3	4.5/114	4.05/103	6.8/172
2/1.5	208/230	1,3	320	6.7	13.4	<b>BMC2A06</b>	626	E3	4.45/113	4.05/103	8.6/217
3/2.25	208/230	3	320	9.0	18	<b>BMC2A09</b>	718	E3	4.45/113	4.05/103	8.6/217

Farm Duty  
Motors

Definite Purpose  
Motors

Unit Handling

Brake Motors

200 & 575 Volt  
Motors

IEC Frame  
Motors








50 Hertz  
Motors

Inverter/Vector  
Motors & Controls

DC Motors  
and Controls

Soft Start &  
Dynamic Brakes

**Baldor V\*S Drives Selection Chart**

VS1ST	VS1SM	VS1MD	VS1MX	VS1PF	VS1SP	VS1GV
						
<b>Main Attributes</b>						
Starter-style Microdrive; V/Hz Control; Built-In PI Loop; DIN or Panel Mounting.	Sub-Micro Drive; Single-Phase Input / Three-Phase Output; V/Hz or Sensorless Vector Control; Built-In Filter Available	Microdrive; V/Hz or Sensorless Vector Control; Built-In PID; Ready to Operate Out of the Box	Microdrive; NEMA 4X & NEMA 12 Enclosures; V/Hz Control; Built-In Disconnect	Pump & Fan Drive; Energy Savings Features; V/Hz or Sensorless Vector; Text-Based Menus and Parameter Names	Enhanced Sensorless Vector or V/Hz Control; NEMA 1 Enclosure; Built-In Braking; Full-Graphic Display	Performance Vector, Sensorless Vector or V/Hz Control; NEMA 1 Enclosure; Built-In Braking; Full-Graphic Display; Encoder Feedback Standard
<b>Hp Range</b>						
0.5 to 15	0.5 to 3	0.5 to 30	0.5 to 10	5 to 700	1 to 250	1 to 250
<b>Voltage Range</b>						
115V/230V 1-Phase 230V/460V 3-Phase	230V 1-Phase	230V 1-Phase 230V/460V 3-Phase	115V/230V 1-Phase 230V/460V 3-Phase	230V/460V 3-Phase	115V/230V - 1 phase 230V/460V/575V 3-Phase	115V/230V - 1 Phase 230/460V/575V 3-Phase
<b>Enclosure Selection</b>						
IP20	IP20	IP20/NEMA 1 Kits Available	NEMA 4X/12; NEMA 12; with or w/o Disconnect	NEMA 1 (7.5 to 15Hp) IPOO/NEMA 1 Kit Option (20 to 125Hp) IPOO (150 to 700Hp)	NEMA 1 (1 to 250Hp) NEMA 4X/12 (1 to 10Hp)	NEMA 1 (1 to 250Hp) NEMA 4X/12 (1 to 10Hp)
<b>Control Mode</b>						
V/Hz	Sensorless Vector or V/Hz	Sensorless Vector or V/Hz	V/Hz	Sensorless Vector or V/Hz	Sensorless Vector or V/Hz	Closed Loop Vector, Sensorless Vector or V/Hz
<b>Speed Range (Typ.)</b>						
20:1	30:1	30:1	20:1	30:1	90:1	1000:1
<b>Communications Options</b>						
Built-In Modbus-RTU (RS-485)	Built-In Modbus-RTU (RS-485)	Built-In Modbus-RTU (RS-485) DeviceNet	Built-in Modbus-RTU (RS-485)	Built-In RS-485, Modbus-RTU, DeviceNet, PROFIBUS-DP, Modbus/TCP, Lonworks, BACNET	Built-In USB and Modbus-RTU, Ethernet Server, DeviceNet, EtherNet/IP, PROFIBUS-DP, LonWorks	Built-In USB and Modbus-RTU, Ethernet Server, DeviceNet, EtherNet/IP, PROFIBUS-DP, LonWorks
<b>Operator Interface</b>						
Local or Remote Mounted LED Display and Keypad	Embedded LED Display and Keypad; Speed Pot	Local or Remote Mounted LED Display and Keypad; Copycat Capability	Local or Remote Mounted LED Display and Keypad; Copycat Capability; Speed Pot; Fwd/Rev Switch; Input Disconnect	Local or Remote Mounted Text Based LCD Display and Keypad; Copycat Capability	Local or Remote (NEMA 4) Mounted Graphical LCD Display and Keypad; Copycat Capability	Local or Remote (NEMA 4) Mounted Graphical LCD Display and Keypad; Copycat Capability
<b>Differentiating Feature</b>						
Low Cost; Designed for Panel Use; DIN Rail Mounting; Simple parameter list; CE filter option.	Designed for High Volume Applications; Simple Interface with Built-In Speed Pot; CE filter option	Low Cost; Basic Startup Menu; Runs Right Out of the Box; Full-Featured Application Oriented Firmware	Washdown and Harsh Environment Compatible Enclosure; Built-In Speed Pot, Fwd/Rev Switch, and Input Disconnect	Easy-to-Use Basic Startup Menu; Designed to Save Energy; Pump and Fan Application Specific Firmware	USB Interface; Display Help Text; NEMA 1 Enclosures (Washdown Available to 10Hp); PLC Functionality; Free Workbench software w/Oscilloscope Functionality; Wide Variety of Options	Encoder Interface Standard; USB Interface; Display Help Text; NEMA 1 Enclosures (Washdown Available to 10Hp); PLC Functionality; Free Workbench Software w/Oscilloscope Functionality; Wide Variety of Options
<b>Matched Performance® Motors</b>						
XE, M & CP Standard-E, EM & ECP Super-E	XE, M & CP Standard-E, EM & ECP Super-E	XE, M & CP Standard-E®, EM & ECP Super-E®	E-Z KLEEN® Plus, Ultra KLEEN®, XE, WDM Standard-E, EWDM Super-E	XE, M & CP Standard-E, EM & ECP Super-E	XE, VS-Master, RPM-AC, M & CP Standard-E, EM&ECP Super-E, IDM & IDNM InverterDuty®, IDWNM InverterDuty	VS-Master, RPM-AC, ZDM VectorDuty®, ZDNM VectorDuty, ZDWNM VectorDuty

Farm Duty Motors

Definite Purpose Motors

Unit Handling

Brake Motors

200 & 575 Volt Motors

IEC Frame Motors

50 Hertz Motors

Inverter/Vector Motors & Controls

DC Motors and Controls

Soft Starters & Dynamic Brakes



## BALDOR • RELIANCE

### VS1ST AC Micro Drive



**1/2 thru 1.5 Hp**  
**1/2 thru 3 Hp**  
**1/2 thru 5 Hp**  
**1 thru 15 Hp**

**115 VAC**  
**230 VAC**  
**230 VAC**  
**460 VAC**

**1 Phase - 50/60 Hz**  
**1 Phase - 50/60 Hz**  
**3 Phase - 50/60 Hz**  
**3 Phase - 50/60 Hz**

**Applications:** Variable torque, constant torque or constant horsepower applications. New installations, replacements and original equipment manufactures (OEM).

**Features:** Volts per Hertz Control with peak overload capacity of 175% and PID capability. **Flexible mounting options with IP20 enclosure as standard and DIN Rail mounting.** Integral keypad, operator interface and local speed control. Basic set of programming parameters. Power ratings up to 10 Hp at 230V and 15 Hp at 460V versions.

<b>Performance Features</b>	Control Modes	V/Hz
	Operator Interface Module	Integral Drive Mounted
	Display Lines	6-Character LED Display
	Programmable Preset Speeds	Four
	Analog Outputs	One (0-10 VDC)
	Auto Restart	Yes – Up to 5 attempts
	Frequency Avoidance	One Band
	Fault History	Last Four Faults
	Digital Inputs: Four	Two Programmable Digital Inputs, Two user selectable analog/digital inputs
	Digital Inputs Type	Pull-Up
<b>Drive Specifications</b>	Analog Inputs: Two	0-10VDC, 0 to 20mA or 4 to 20mA
	Relay Outputs: One	Built-in Form C Relay
	Analog Output/Digital	0-10 VDC: One Analog Usable for Meter (Freq., Current, Voltage, or Digital Output/Digital Output)
	Maximum Load	15 Hp @ 460 VAC
	Overload Capacity	Drive Output 150% for one minute and 175% for 2 seconds
	Input Voltage Ranges	115 VAC (99-126); 230 VAC (198-264); 460 VAC (342-528)
	Rated Input Frequency	50-60Hz (±5%)
	Carrier Frequency	4-32 kHz (8 kHz default)
	Operating Temperature	0° to 50°C
	Snubber (Dynamic Braking)	Built-in Transistor (Frames B & C)
	Dynamic Braking External	Up to 150% Dynamic Braking with appropriately sized resistor
	DC Injection Braking	Included
	Volts/Hz	Linear V/Hz
		Energy Optimizer Function
	Frequency Control Range	0 - 500Hz
	Accel/Decel:	Independently adjustable accel. & decel. ramps
	Time Range:	0 to 600 Seconds
	Keypad Speed Control	Yes
	Sink/Source Inputs	Selectable, 24 VDC Logic
	Electronic Overload Trip	Electronic Motor Overload Inverse 150% for 1 minute or 175% for 2
Communications	Built-in MODBUS-RTU (RS-485) Communications	
PID Control	Built-in	
<b>Protective Features</b>	Under Voltage	Level Depends on Voltage Class (240, 480, or 575)
	Output Short Circuit	Phase-to-Phase on Drive Output
	Over Temperature	Heatsink Monitor
	DC Bus Overvoltage	DC Bus Level Trip
	Drive Overload	Exceed Drive rating of 150% for One Minute or 175% for 2 seconds
	Over Current	Over-current/short-Circuit protection
	Output Phase	Trips on open Output Phase
	Loss of Reference	Trips on Loss of Speed Command Signal
	Comm. Error	Detects a communication error (fault)
<b>Agency Certifications</b>	UL, cUL, CE, C-tick	
<b>Service Conditions</b>	Altitude	1,000 m (3,300 ft.), derate by 1% per 100m up to 2,000 on maximum.
	Ambient Temperature	IP20: -10°C (14°F) to 50°C (122°F)
	Storage Temperature	-40°C (-40°F) to 60°C (140°F)
	Relative Humidity	10% to 95%, non-condensing

**VS1ST – 115V, 50/60 Hz, 1-Phase Input (230V, 3-Phase Output)**

Catalog Number	EMC Filter	Transistor	Frame	Hp	Output Current	List Price	Mult. Sym.
VS1ST10P5-0	No	No	A	0.5	2.3	415	EA
VS1ST11-0	No	No	A	1	4.3	485	EA
VS1ST11P5-0T	No	Yes	B	1.5	5.8	596	EA

**VS1ST – 230V, 50/60 Hz, 1-Phase Input (230V, 3-Phase Output)**

Catalog Number	EMC Filter	Transistor	Frame	Hp	Output Current	List Price	Mult. Sym.
VS1ST80P5-0	No	No	A	0.5	2.3	334	EA
VS1ST80P5-0F	Yes	No	A	0.5	2.3	351	EA
VS1ST81-0	No	No	A	1	4.3	362	EA
VS1ST81-0F	Yes	No	A	1	4.3	447	EA
VS1ST82-0	No	No	A	2	7	436	EA
VS1ST82-0F	Yes	No	A	2	7	574	EA
VS1ST82-0T	No	Yes	B	2	7	543	EA
VS1ST82-0TF	Yes	Yes	B	2	7	649	EA
VS1ST83-0T	No	Yes	B	3	10.5	606	EA
VS1ST83-0TF	Yes	Yes	B	3	10.5	762	EA

**VS1ST – 230V, 50/60 Hz, 3-Phase Input (230V, 3-Phase Output)**

Catalog Number	EMC Filter	Transistor	Frame	Hp	Output Current	List Price	Mult. Sym.
VS1ST20P5-0	No	No	A	0.5	2.3	334	EA
VS1ST21-0	No	No	A	1	4.3	362	EA
VS1ST22-0	No	No	A	2	7	436	EA
VS1ST22-0T	No	Yes	B	2	7	510	EA
VS1ST22-0TF	Yes	Yes	B	2	7	543	EA
VS1ST23-0T	No	Yes	B	3	10.5	521	EA
VS1ST23-0TF	Yes	Yes	B	3	10.5	606	EA
VS1ST25-0T	No	Yes	C	5	14	691	EA
VS1ST25-0TF	Yes	Yes	C	5	14	862	EA

**VS1ST – 460V, 50/60 Hz, 3-Phase Input (460V, 3-Phase Output)**

Catalog Number	EMC Filter	Transistor	Frame	Hp	Output Current	List Price	Mult. Sym.
VS1ST41-0	No	No	A	1	2.2	436	EA
VS1ST41-0F	Yes	No	A	1	2.2	489	EA
VS1ST42-0	No	No	A	2	4.1	511	EA
VS1ST42-0F	Yes	No	A	2	4.1	564	EA
VS1ST42-0T	No	Yes	B	2	4.1	585	EA
VS1ST42-0TF	Yes	Yes	B	2	4.1	628	EA
VS1ST43-0T	No	Yes	B	3	5.8	628	EA
VS1ST43-0TF	Yes	Yes	B	3	5.8	681	EA
VS1ST45-0T	No	Yes	B	5	9.5	734	EA
VS1ST45-0TF	Yes	Yes	B	5	9.5	787	EA
VS1ST47-0T	No	Yes	C	7.5	14	1,043	EA
VS1ST47-0TF	Yes	Yes	C	7.5	14	1,096	EA
VS1ST410-0T	No	Yes	C	10	18	1,160	EA
VS1ST410-0TF	Yes	Yes	C	10	18	1,245	EA
VS1ST415-0T	No	Yes	C	15	24	1,565	EA
VS1ST415-0TF	Yes	Yes	C	15	24	1,680	EA

Farm Duty Motors

Definite Purpose Motors

Unit Handling

Brake Motors

200 &amp; 575 Volt Motors

IEC Frame Motors

50 Hertz Motors

Inverter/Vector Motors &amp; Controls

DC Motors and Controls

Soft Starters &amp; Dynamic Brakes

**Mounting Dimensions**

Frame	Height Inches (mm)	Width Inches (mm)	Depth Inches (mm)
A	6.81 (173)	3.23 (82)	4.84 (123)
B	8.70 (221)	4.29 (109)	5.91 (150)
C	10.28 (261)	5.16 (131)	6.89 (175)

**VS1ST – Accessories**
**Remote Keypad for VS1ST**

The VS1ST Remote Keypad can be panel mounted for remote control or display of the drive. The remote keypad comes with a standard 9 foot (3.0 m) cable and is suitable for IP54 mounting.

Catalog Number	Description	List Price	Mult. Sym.
VS1ST-RKEY3	VS1ST Remote Keypad with 3m cable	100	EA

**Cable Kits for VS1ST**

Option cable assemblies for setting up and connecting a simple serial network.

Catalog Number	Description	List Price	Mult. Sym.
VS1ST-J45SP	RJ45 Cable Splitter	20	EA
VS1ST-CBL0P5	1.5 ft. (0.5m) RJ45 Cable	10	EA
VS1ST-CBL1	3 ft. (1m) RJ45 Cable	10	EA
VS1ST-CBL3	9 ft. (3m) RJ45 Cable	10	EA

**Copycat Loader**

Connects to the RJ45 Port on the front of the VS1ST and allows the upload or download of software parameters.

Catalog Number	Description	List Price	Mult. Sym.
VS1ST-CCL	VS1ST RJ45 Copycat Loader	25	EA

**Relay Output Cards for VS1ST**

Provides additional relay outputs for signal and control.

Catalog Number	Description	List Price	Mult. Sym.
VS1ST-2ROUT	Provides one additional relay output for the drive	140	EA
VS1ST-HVAC	Provides two relays for "drive running" & "drive tripped"	140	EA
VS1ST-LOGHV-11	115 VAC control logic input card	120	EA
VS1ST-LOGHV-23	230 VAC control logic input card	120	EA

**VS1ST Dynamic Braking Resistors**

VS1ST Frame B and C drives include built-in braking transistors to aid in applications requiring the ability to stop rapidly. The resistor kits are designed specifically for the VS1ST and mount internally to the drive.

Catalog Number	Ohms	Wattage	Frame	List Price	Mult. Sym.
VS1ST-R100W200	100	200	B & C	181	EA

**NOTE:** VS1ST accessories are compatible with the VS1MX

**VS1ST Field Bus Gateways**

Connects the VS1ST Modbus RTU RS485 Communication interface to the fieldbus gateway head.

Catalog Number	Description	List Price	Mult. Sym.
VS1ST-PBUS	Profibus Gateway Head	875	EA
VS1ST-DNET	DeviceNet Gateway Head	875	EA

**VS1SM  
AC Micro Drive**

**1/2 thru 3 Hp 230 VAC 1 Phase - 50/60 Hz Input / 3 Phase Output**

**Applications:** Variable torque, constant torque or constant horsepower applications. New installations, replacements and original equipment manufactures (OEM).

**Features:** Volts per Hertz or Sensorless Vector Control with peak overload capacity of 200%, PID capability and built in MODBUS RS-485 Communications. Integral keypad, operator interface and local speed control. Programming by Groups makes it easy to navigate and find parameters. Basic Program Group contains the most common application related parameters. Power ratings up to 3 Hp 230V Single Phase. Available with or without built in CE Filters. Built-in braking transistor allows connection to remote braking resistor for enhanced performance needs.



<b>Performance Features</b>	Control Modes	V/Hz or Sensorless Vector
	Operator Interface Module	Integral Drive Mounted
	Display Lines	3-Character LED Display
	Programmable Preset Speeds	Eight
	Analog Outputs	One (0-10 VDC)
	Local Speed Control	Built-in Speed Potentiometer
	Auto Restart	Yes – Up to 10 attempts
	Frequency Avoidance	Three Bands
	Fault History	Last Five Faults
<b>Drive Specifications</b>	Digital Inputs	Five Completely Configurable Inputs
	Digital Inputs Type	Pull-up or Pull-down
	Analog Inputs: Two Total	One: 0-10VDC; One: 4-20mADC
	Digital Outputs: Two Total	One Opto-coupled (Configurable); Form C Relay
	Meter Outputs	0-10 VDC: One Analog Usable for Meter (Freq., Current, Voltage, DC Voltage)
	Maximum Load	3 Hp @ 230VAC
	Overload Capacity	Drive Output 150% for One Minute
	Frequency Accuracy	Digital Command: 0.01% of Max. Output Frequency; Analog Command: 0.1% of Max. Output Frequency
	Input Voltage Ranges	190-253VAC - 1-Phase
	Rated Input Frequency	50-60Hz (±5%)
	Carrier Frequency	1-15 kHz (3 kHz default)
	Operating Temperature	-10° to 50°C (IP20)
	Snubber (Dynamic Braking)	Use External Braking Unit
	Dynamic Braking External	Dynamic Braking via External Braking Unit connected to DC bus.
	DC Injection Braking	Included
	Volts/Hz	Linear V/Hz; Quadratic V/Hz; Custom 4-point V/Hz Curve
	Sensorless Vector	Full Sensorless Vector; Control with Autotune Function and motor model
	Frequency Control Range	0-400 Hz
	Accel/Decel	Eight independently adjustable sets of ramps
	Time Range	0.1 to 6000 Seconds
	S Curve Accel. & Decel.	Yes, with adjustable rounding percentage
	Keypad Speed Control	Yes
	Sink/Source Inputs	Selectable, 24 VDC Logic
Electronic Overload Trip	Electronic motor Overload Inverse Time calculation with program warning level	
Communications	Built-in MODBUS-RTU (RS-485) Communications	
PID Control	Built-in	
<b>Protective Features</b>	Under Voltage	Level Depends on Voltage Class (240, 480)
	Ground Fault Protection	Ground Fault protection active during run
	Output Short Circuit	Phase-to-Phase on Drive Output
	Over Temperature	Heatsink Monitor
	DC Bus Overvoltage	DC Bus Level Trip
	Drive Overload	Exceed Drive rating of 150% for one minute
	Over Current	Over-current/short-Circuit protection
	Output Phase	Trips on open Output Phase
	Loss of Reference	Trips on Loss of Speed Command Signal
Cooling Fan	Detects an inverter fan failure (replace fan)	
<b>Agency Certifications</b>	Listings	UL, cUL, CE
	<b>Service Conditions</b>	
Altitude	1,000 m (3,300 ft.), derate by 1% per 100 m up to 2,000m maximum.	
Ambient Temperature	IP20: -10°C (14°F) to 50°C (122°F)	
Storage Temperature	-20°C (-2°F) to 65°C (149°F)	
Relative Humidity	10% to 95%, non-condensing	

Farm Duty Motors

Definite Purpose Motors

Unit Handling

Brake Motors

200 & 575 Volt Motors

IEC Frame Motors

50 Hertz Motors

Inverter/Vector Motors & Controls

DC Motors and Controls

Soft Starters & Dynamic Brakes

**VS1SM – 230V, 50/60 Hz, 1-Phase Input (230V, 3-Phase Output)**

Catalog Number	EMC Filter	Frame	Hp (Normal Duty)	Output Current	List	Mult. Sym.
VS1SM80P5	No	A	0.5	2.5A	319	EA
VS1SM80P5-F	Yes	A	0.5	2.5A	372	EA
VS1SM81	No	A	1	5.0A	394	EA
VS1SM81-F	Yes	A	1	5.0A	447	EA
VS1SM82	No	B	2	8.0A	500	EA
VS1SM82-F	Yes	B	2	8.0A	553	EA
VS1SM83	No	B	3	12.0A	638	EA
VS1SM83-F	Yes	B	3	12.0A	702	EA

**Mounting Dimensions**

Frame	Height Inches (mm)	Width Inches (mm)	Depth Inches (mm)	Weight lbs (kg)
A	5.63 (143)	3.11 (79)	5.63 (143)	1.7 (0.76)
A (with Filter)	5.63 (143)	3.11 (79)	5.63 (143)	2.5 (1.12)
B	5.04 (128)	5.51 (140)	6.1 (155)	4.2 (1.9)
B (with Filter)	8.66 (220)	7.09 (180)	6.69 (170)	8.1 (3.66)

 Farm Duty  
Motors

 Definite Purpose  
Motors

Unit Handling

Brake Motors

 200 & 575 Volt  
Motors

 IEC Frame  
Motors

 50 Hertz  
Motors

 Inverter/Vector  
Motors & Controls

 DC Motors  
and Controls

 Soft Start &  
Dynamic Brakes

**VS1MD  
AC Micro Drive**
**1/4 thru 5 Hp  
1/2 thru 30 Hp  
1/2 thru 30 Hp**
**230 VAC  
230 VAC  
460 VAC**
**1 Phase - 50/60 Hz  
3 Phase - 50/60 Hz  
3 Phase - 50/60 Hz**


**Applications:** Variable torque, constant torque or constant horsepower applications. New installations, replacements and original equipment manufactures (OEM).

**Features:** Volts per Hertz or Sensorless Vector Control with peak overload capacity of 200% and PID capability. Flexible mounting options with IP20 enclosure as standard and NEMA 1 kit option. Integral keypad, operator interface and local speed control. Programming by Groups makes it easy to navigate and find parameters. Basic Program Group contains the most common application related parameters. Power ratings up to 30 Hp in both 230V and 460V versions. Built-in braking transistor allows connection to remote braking resistor for enhanced performance needs.

<b>Performance Features</b>	Control Modes	V/Hz or Sensorless Vector
	Operator Interface Module	Integral Drive Mounted
	Display Lines	4-Character LED Display
	Programmable Preset Speeds	Eight
	Analog Outputs	One (0-10 VDC)
	Auto Restart	Yes -- Up to 10 attempts
	Frequency Avoidance	Three Bands
	Fault History	Last Five Faults
	Digital Inputs	Eight Completely Configurable Inputs
	Digital Inputs Type	Pull-up or Pull-down
<b>Drive Specifications</b>	Analog Inputs: Two Total	One: 0-10VDC or -10 to 10VDC, One: 4-20mADC
	Digital Outputs: Two Total	One Opto-coupled (Configurable), Form C Relay
	Meter Outputs	0-10 VDC: One Analog Usable for Meter (Proportional to Frequency, Output Current, AC Output Voltage, or DC Output Voltage)
	Maximum Load	30 Hp @ 460 VAC
	Overload Capacity	Drive Output 150% for One Minute, 200% for Twelve Seconds
	Frequency Accuracy	Digital Command: 0.01% of Max. Output Frequency, Analog Command: 0.1% of Max. Output Frequency
	Input Voltage Ranges	230 VAC (170-253); 460 VAC (323-528)
	Rated Input Frequency	50-60Hz (±5%)
	Carrier Frequency	1-15 kHz (3 kHz default)
	Operating Temperature	-10° to 50°C (IP20)
	Snubber (Dynamic Braking)	Built-in Transistor
	Dynamic Braking External	Up to 150% Dynamic Braking with appropriately sized resistor
	DC Injection Braking	Included
	Volts/Hz	Linear V/Hz, Quadratic V/Hz, Custom 4-Point V/Hz Curve
	Sensorless Vector	Full Sensorless Vector Control with Autotune Function and motor model
	Frequency Control Range	0-400 Hz
	Accel/Decel	Eight independently adjustable sets of ramps
	Time Range	0.1 to 600 Seconds
	S Curve Accel. & Decel.	Yes, with adjustable rounding percentage
	Keypad Speed Control	Yes
	Sink/Source Inputs	Selectable, 24 VDC Logic
	Electronic Overload Trip	Electronic Motor Overload Inverse Time calculation with Programmable Warning Level
	Communications	Built-in MODBUS-RTU (RS-485) Communications - optional Devicenet
PID Control	Built-in	
<b>Protective Features</b>	Under Voltage	Level Depends on Voltage Class (240, 480)
	Ground Fault Protection	Ground Fault protection active during run
	Output Short Circuit	Phase-to-Phase on Drive Output
	Over Temperature	Heatsink Monitor
	DC Bus Overvoltage	DC Bus Level Trip
	Drive Overload	Exceed Drive rating of 150% for One Minute
	Over Current	Over-current/short-Circuit protection
	Output Phase	Trips on open Output Phase
	Loss of Reference	Trips on Loss of Speed Command Signal
	Cooling Fan	Detects an inverter fan failure (replace fan)
	Comm. Error	Detects a communication error (fault)
	<b>Agency Certifications</b>	UL, cUL, CE
<b>Service Conditions</b>	Altitude	1,000 m (3,300 ft.), derate by 1% per 100 m up to 2,000 m maximum.
	Ambient Temperature	IP20: -10°C (14°F) to 50°C (122°F)
	Storage Temperature	-20°C (-2°F) to 65°C (149°F)
	Relative Humidity	10% to 95%, non-condensing



**BALDOR • RELIANCE**
**VS1MD – 230V, 50/60 Hz, 3-Phase**

Catalog Number	Frame	3-Phase Hp	1-Phase Hp	Output Current	List Price	Mult. Sym.
VS1MD20P5	A	0.5	0.25	2.5A	447	EA
VS1MD21	A	1	0.5	5.0A	464	EA
VS1MD22	B	2	1	8.0A	581	EA
VS1MD23	C	3	2	12.0A	670	EA
VS1MD25	C	5	3	16.0A	860	EA
VS1MD27	D	7.5	-	24.0A	1,255	EA
VS1MD210	D	10	5	32.0A	1,489	EA
VS1MD215	E	15		46.0A	1,861	EA
VS1MD220	E	20		60.0A	2,327	EA
VS1MD225	F	25		74.0A	2,908	EA
VS1MD230	F	30		88.0A	3,635	EA

**VS1MD – 460V, 50/60 Hz, 3-Phase**

Catalog Number	Frame	Hp	Output Current	List Price	Mult. Sym.
VS1MD40P5	A	0.5	1.25A	534	EA
VS1MD41	A	1	2.5A	559	EA
VS1MD42	B	2	4.0A	676	EA
VS1MD43	C	3	6.0A	782	EA
VS1MD45	C	5	8A	972	EA
VS1MD47	D	7.5	12.0A	1,257	EA
VS1MD410	D	10	16.0A	1,502	EA
VS1MD415	E	15	24.0A	1,878	EA
VS1MD420	E	20	30.0A	2,347	EA
VS1MD425	F	25	39.0A	2,934	EA
VS1MD430	F	30	45.0A	3,667	EA

**VS1MD – 230V, 50/60 Hz, 3-Phase Communication Ready Base Unit**

Catalog Number	Frame	Hp	Output Current	List Price	Mult. Sym.
VS1MD20P5-8	A	0.5	2.5A	402	EA
VS1MD21-8	A	1	5.0A	418	EA
VS1MD22-8	B	2	8.0A	523	EA
VS1MD23-8	C	3	12.0A	603	EA
VS1MD25-8	C	5	16.0A	774	EA
VS1MD27-8	D	7.5	24.0A	1,130	EA
VS1MD210-8	D	10	32.0A	1,340	EA
VS1MD215-8	E	15	46.0A	1,791	EA
VS1MD220-8	E	20	60.0A	2,257	EA
VS1MD225-8	F	25	74.0A	2,838	EA
VS1MD230-8	F	30	88.0A	3,585	EA

**VS1MD – 460V, 50/60 Hz, 3-Phase Communication Ready Base Unit**

Catalog Number	Frame	Hp	Output Current	List Price	Mult. Sym.
VS1MD40P5-8	A	0.5	1.25A	480	EA
VS1MD41-8	A	1	2.5A	503	EA
VS1MD42-8	B	2	4.0A	608	EA
VS1MD43-8	C	3	6.0A	704	EA
VS1MD45-8	C	5	8A	875	EA
VS1MD47-8	D	7.5	12.0A	1,131	EA
VS1MD410-8	D	10	16.0A	1,352	EA
VS1MD415-8	E	15	24.0A	1,808	EA
VS1MD420-8	E	20	30.0A	2,277	EA
VS1MD425-8	F	25	39.0A	2,854	EA
VS1MD430-8	F	30	45.0A	3,597	EA

Farm Duty Motors

Definite Purpose Motors

Unit Handling

Brake Motors

200 &amp; 575 Volt Motors

IEC Frame Motors

50 Hertz Motors

Inverter/Vector Motors &amp; Controls

DC Motors and Controls

Soft Start &amp; Dynamic Brakes

## DB Resistor Kits

VS1MD drives include built-in braking transistors to aid in applications requiring the ability to stop rapidly. External braking resistors are required to implement the dynamic braking function. The below resistor selection provides resistors that are designed for 15% to 20% duty cycle braking applications. These resistors must be separately mounted.

## VS1MD Dynamic Braking Resistors

Input Volts	Hp	Braking Transistor Specifications		100% Torque Braking Resistors					150% Torque Braking Resistors				
		Minimum Allowable Ohms	Maximum Continuous Braking Wattage	Ohms	Wattage	Catalog Number	List Price	Mult. Sym.	Ohms	Wattage	Catalog Number	List Price	Mult. Sym.
230	0.5	50	116	200	200	VS1-R200W200	58	EA	200	200	VS1-R200W200	58	EA
	1	44	174	160	200	VS1-R160W200	58	EA	100	200	VS1-R100W200	43	EA
	2	40	278	50	400	VS1-R50W400	128	EA	50	400	VS1-R50W400	128	EA
	3	26	464	50	400	VS1-R50W400	128	EA	33	600	VS1-R33W600	271	EA
	5	16	767	33	600	VS1-R33W600	271	EA	20	800	VS1-R20W800	298	EB
	7.5	8	929	20	800	VS1-R20W800	298	EB	15	1200	VS1-R15W1200	360	EB
	10	8	1394	15	1200	VS1-R15W1200	360	EB	10	2400	VS1-R10W2400	476	EB
460	0.5	133	116	200	200	VS1-R200W200	58	EA	200	200	VS1-R200W200	58	EA
	1	66	174	200	200	VS1-R200W200	58	EA	200	200	VS1-R200W200	58	EA
	2	66	348	200	400	VS1-R200W400	128	EA	200	400	VS1-R200W400	128	EA
	3	80	464	200	400	VS1-R200W400	128	EA	130	600	VS1-R130W600	271	EA
	5	64	755	100	400	VS1-R100W400	128	EA	85	1000	VS1-R85W1000	337	EB
	7.5	32	1235	85	1000	VS1-R85W1000	337	EB	40	2000	VS1-R40W2000	453	EA
	10	32	1394	60	1200	VS1-R60W1200	360	EB	40	2000	VS1-R40W2000	453	EA

## Mounting Dimensions

Frame	Height Inches (mm)	Width Inches (mm)	Depth Inches (mm)
A	5.04 (128)	2.75 (70)	5.12 (130)
B	5.04 (128)	3.94 (100)	5.12 (130)
C	5.04 (128)	5.20 (140)	6.10 (155)
D	8.66 (220)	7.08 (180)	6.69 (170)
E	15.40 (320)	11.30 (235)	9.12 (189.50)
F	19.73 (410)	12.50 (260)	10 (208.50)

## VS1MD – Accessories

### NEMA 1/IP30 Kit

The VS1MD AC drive has an enclosure rating of IP20, but includes provisions to mount a NEMA 1 kit. This kit provides a metal conduit plate for attaching user conduit, as well as a plastic top cover for the drive.

### VS1MD NEMA 1 Kits

Description	Catalog Number	List Price	Mult. Sym.
VS1MD NEMA 1 Kit, Frame A	VS1MD-NM1A	39	EA
VS1MD NEMA 1 Kit, Frame B	VS1MD-NM1B	39	EA
VS1MD NEMA 1 Kit, Frame C	VS1MD-NM1C	46	EA
VS1MD NEMA 1 Kit, Frame D	VS1MD-NM1D	56	EA
VS1MD NEMA 1 Kit, Frame E	VS1MD-NM1E	62	EA
VS1MD NEMA 1 Kit, Frame F	VS1MD-NM1F	84	EA

**VS1MD – Accessories Continued...**

**DIN Rail Mounting Kit**

Adapter Kit to convert the VS1MD drive for DIN Rail Mounting. Low profile mounting to the back of the AC Drive adds minimal depth.

**VS1MD Din Rail Kit**

Description	Catalog Number	List Price	Mult. Sym.
VS1MD Din Rail Kit A-Frame	<b>VS1MD-DINA</b>	18	EA
VS1MD Din Rail Kit B-Frame	<b>VS1MD-DINB</b>	24	EA
VS1MD Din Rail Kit C-Frame	<b>VS1MD-DINC</b>	32	EA

**VS1MD Keypads**

Available as a hand held CopyCat Keypad or a Remote Mounted NEMA 1 Keypad. The VS1MD Remote Keypad can be panel mounted for remote keypad configuration or control of the VS1MD. The VS1MD Remote Keypad allows a CopyCat function so that the parameters of the drive can be stored to and retrieved from the Remote Keypad. The remote keypad can be mounted up to 15ft. from the VS1MD drive.

**VS1MD CopyCat Keypad**

Description	Catalog Number	List Price	Mult. Sym.
VS1MD CopyCat Keypad	<b>VS1MD-CCL</b>	98	EA

**VS1MD NEMA 1 Remote Keypads**

Description	Catalog Number	List Price	Mult. Sym.
VS1MD Remote Keypad with 6 ft. (2m) cable	<b>VS1MD-RKEY2</b>	95	EA
VS1MD Remote Keypad with 9 ft. (3m) cable	<b>VS1MD-RKEY3</b>	104	EA
VS1MD Remote Keypad with 15 ft. (5m) cable	<b>VS1MD-RKEY5</b>	123	EA

**VS1MD Communication Option Kits**

The following kits mount inside the communication-ready base units on page 220 and include both the communication card and I/O terminal strip. No operator interface is available with the communication card models. Programming of the drive is done over the Network from a computer, or using a handheld programming keypad.

Description	Catalog Number	List Price	Mult. Sym.
DeviceNet Communication Card	<b>VS1MD-DNET</b>	210	EA
Profibus Communication Card	<b>VS1MD-PBUS</b>	Contact Baldor	EA
Ethernet IP Communication Card	<b>VS1MD-ENET</b>	Contact Baldor	EA

Farm Duty Motors

Definite Purpose Motors

Unit Handling

Brake Motors

200 & 575 Volt Motors

IEC Frame Motors

50 Hertz Motors

Inverter/Vector Motors & Controls

DC Motors and Controls

Soft Start & Dynamic Brakes

### VS1MX AC Micro Drive



<b>1/2 thru 1.5 Hp</b>	<b>115 VAC</b>	<b>1 Phase - 50/60 Hz</b>
<b>1/2 thru 3 Hp</b>	<b>230 VAC</b>	<b>1 Phase - 50/60 Hz</b>
<b>2 thru 5 Hp</b>	<b>230 VAC</b>	<b>3 Phase - 50/60 Hz</b>
<b>1 thru 10 Hp</b>	<b>460 VAC</b>	<b>3 Phase - 50/60 Hz</b>

**Applications:** Applications that require a washdown or harsh duty enclosure. Ideal for environments where dust, oil mist or water is prevalent. Variable torque, constant torque or constant horsepower applications. Target stand alone applications where a local disconnect is required. New installations, replacements and original equipment manufactures (OEM).

**Features:** Volts per Hertz Control with peak overload capacity of 175%. Flexible mounting options NEMA 12, NEMA 4X, Input Disconnect models and EMC Filter models. Integral keypad, operator interface and local speed control. Basic set of less than forty programming parameters. Power ratings up to 10 Hp in 460V versions.

<b>Performance Features</b>	Control Modes	V/Hz or Sensorless Vector
	Operator Interface Module	Integral Drive Mounted
	Display Lines	6-Character LED Display
	Programmable Preset Speeds	Four
	Analog Outputs	One (0-10 VDC)
	Auto Restart	Yes – Up to 5 attempts
	Frequency Avoidance	One Band
	Fault History	Last Four Faults
	Digital Inputs	Three Configurable Inputs
Digital Inputs Type	Pull-Up	
<b>Drive Specifications</b>	Analog Inputs: One	0-10VDC or 4 to 20mA
	Digital Outputs: Two Total	One Built-in Form C Relay, One Optional Form C Relay
	Meter Outputs	0-10 VDC: One Analog Usable for Meter (Freq., Current, Voltage, or Digital Output)
	Maximum Load	10 Hp @ 460 VAC
	Overload Capacity	Drive Output 150% for one minute and 175% for 2 seconds
	Input Voltage Ranges	115 VAC (99-126); 230 VAC (198-264); 460 VAC (342-528)
	Rated Input Frequency	50-60Hz (±5%)
	Carrier Frequency	4-32 kHz (8 kHz default)
	Operating Temperature	-10° to 40°C
	Snubber (Dynamic Braking)	Built-in Transistor on Frames 2 and 3 only
	Dynamic Braking External	Up to 150% Dynamic Braking with appropriately sized resistor
	DC Injection Braking	Included
	Volts/Hz	Linear V/Hz, Energy Optimizer Function
	Sensorless Vector	Full Sensorless Vector Control with Autotune Function and motor model
	Frequency Control Range	0 - 500Hz
	Accel/Decel	Independently adjustable accel. & decel. ramps
	Time Range	0.1 to 3000 Seconds
	Keypad Speed Control	Yes
	Sink/Source Inputs	Selectable, 24 VDC Logic
	Electronic Overload Trip	Electronic Motor Overload Inverse 150% for 1 minute or 175% for 2
	Communications	Built-in MODBUS-RTU (RS-485) Communications
PID Control	Future Release	
<b>Protective Features</b>	Under Voltage	Level Depends on Voltage Class (240, 480, or 575)
	Output Short Circuit	Phase-to-Phase on Drive Output
	Over Temperature	Heatsink Monitor
	DC Bus Overvoltage	DC Bus Level Trip
	Drive Overload	Exceed Drive rating of 150% for One Minute or 175% for 2 seconds
	Over Current	Over-current/short-Circuit protection
	Output Phase	Trips on open Output Phase
	Loss of Reference	Trips on Loss of Speed Command Signal
Comm. Error	Detects a communication error (fault)	
<b>Agency Certifications</b>	UL, cUL, CE, CCC, C-tick	
<b>Service Conditions</b>	Altitude	1,000 m (3,300 ft.), derate by 1% per 100m up to 2,000m maximum
	Ambient Temperature	IP20: -10°C (14°F) to 40°C (102°F)
	Storage Temperature	-40°C (-40°F) to 60°C (140°F)
	Relative Humidity	10% to 95%, non-condensing
	Intermittent Overload	150% overload capacity for up to 1 minute, 175% overload capacity for up to 2 seconds

Farm Duty Motors

Definite Purpose Motors

Unit Handling

Brake Motors

200 & 575 Volt Motors

IEC Frame Motors

50 Hertz Motors

Inverter/Vector Motors & Controls

DC Motors and Controls

Soft Starters & Dynamic Brakes

**BALDOR • RELIANCE**
**VS1MX – 115V, 50/60 Hz, 1-Phase Input (230V, 3-Phase Output) – NEMA 4X/12 (White Enclosure)**

Catalog Number	EMC Filter	Disconnect	Frame	Hp	Output Current	List Price	Mult. Sym.
VS1MX10P5-4	No	No	A	0.5	2.3	643	EA
VS1MX10P5-4D	No	Yes	A	0.5	2.3	707	EA
VS1MX11-4	No	No	A	1	4.3	667	EA
VS1MX11-4D	No	Yes	A	1	4.3	734	EA
VS1MX11P5-4T	No	No	B	1.5	5.8	835	EA
VS1MX11P5-4TD	No	Yes	B	1.5	5.8	919	EA

**VS1MX – 115V, 50/60 Hz, 1-Phase Input (230V, 3-Phase Output) – NEMA 12 (Green Enclosure)**

Catalog Number	EMC Filter	Disconnect	Frame	Hp	Output Current	List Price	Mult. Sym.
VS1MX10P5-2	No	No	A	0.5	2.3	591	EA
VS1MX10P5-2D	No	Yes	A	0.5	2.3	650	EA
VS1MX11-2	No	No	A	1	4.3	614	EA
VS1MX11-2D	No	Yes	A	1	4.3	675	EA
VS1MX11P5-2T	No	No	B	1.5	5.8	768	EA
VS1MX11P5-2TD	No	Yes	B	1.5	5.8	845	EA

**VS1MX – 230V, 50/60 Hz, 1-Phase Input (230V, 3-Phase Output) – NEMA 4X/12 (White Enclosure)**

Catalog Number	EMC Filter	Disconnect	Frame	Hp	Output Current	List Price	Mult. Sym.
VS1MX80P5-4	No	No	A	0.5	2.3	559	EA
VS1MX80P5-4F	Yes	No	A	0.5	2.3	615	EA
VS1MX80P5-4D	No	Yes	A	0.5	2.3	615	EA
VS1MX80P5-4DF	Yes	Yes	A	0.5	2.3	676	EA
VS1MX81-4	No	No	A	1	4.3	580	EA
VS1MX81-4F	Yes	No	A	1	4.3	638	EA
VS1MX81-4D	No	Yes	A	1	4.3	638	EA
VS1MX81-4DF	Yes	Yes	A	1	4.3	702	EA
VS1MX82-4	No	No	A	2	7	726	EA
VS1MX82-4F	Yes	No	A	2	7	799	EA
VS1MX82-4D	No	Yes	A	2	7	799	EA
VS1MX82-4DF	Yes	Yes	A	2	7	879	EA
VS1MX82-4T	No	No	B	2	7	807	EA
VS1MX82-4TF	Yes	Yes	B	2	7	888	EA
VS1MX82-4TD	No	Yes	B	2	7	888	EA
VS1MX82-4TDF	Yes	Yes	B	2	7	977	EA
VS1MX83-4T	No	No	B	3	10.5	838	EA
VS1MX83-4TF	Yes	No	B	3	10.5	921	EA
VS1MX83-4TD	No	Yes	B	3	10.5	921	EA
VS1MX83-4TDF	Yes	Yes	B	3	10.5	1,013	EA

Farm Duty Motors

Definite Purpose Motors

Unit Handling

Brake Motors

200 &amp; 575 Volt Motors

IEC Frame Motors

50 Hertz Motors

Inverter/Vector Motors &amp; Controls

DC Motors and Controls

Soft Start &amp; Dynamic Brakes

## VS1MX – 230V, 50/60 Hz, 1-Phase Input (230V, 3-Phase Output) – NEMA 12 (Green Enclosure)

Catalog Number	EMC Filter	Disconnect	Frame	Hp	Output Current	List Price	Mult. Sym.
VS1MX80P5-2	No	No	A	0.5	2.3	514	EA
VS1MX80P5-2F	Yes	No	A	0.5	2.3	566	EA
VS1MX80P5-2D	No	Yes	A	0.5	2.3	566	EA
VS1MX80P5-2DF	Yes	Yes	A	0.5	2.3	622	EA
VS1MX81-2	No	No	A	1	4.3	534	EA
VS1MX81-2F	Yes	No	A	1	4.3	587	EA
VS1MX81-2D	No	Yes	A	1	4.3	587	EA
VS1MX81-2DF	Yes	Yes	A	1	4.3	646	EA
VS1MX82-2	No	No	A	2	7	668	EA
VS1MX82-2F	Yes	No	A	2	7	735	EA
VS1MX82-2D	No	Yes	A	2	7	735	EA
VS1MX82-2DF	Yes	Yes	A	2	7	809	EA
VS1MX82-2T	No	No	B	2	7	742	EA
VS1MX82-2TF	No	No	B	2	7	817	EA
VS1MX82-2TD	Yes	No	B	2	7	817	EA
VS1MX82-2TDF	Yes	No	B	2	7	899	EA
VS1MX83-2T	No	No	B	3	10.5	771	EA
VS1MX83-2TF	Yes	No	B	3	10.5	848	EA
VS1MX83-2TD	No	Yes	B	3	10.5	848	EA
VS1MX83-2TDF	Yes	Yes	B	3	10.5	932	EA

## VS1MX – 230V, 50/60 Hz, 3-Phase Input (230V, 3-Phase Output) – NEMA 4X/12 (White Enclosure)

Catalog Number	EMC Filter	Disconnect	Frame	Hp	Output Current	List Price	Mult. Sym.
VS1MX20P5-4	No	No	A	0.5	2.3	574	EA
VS1MX20P5-4D	No	Yes	A	0.5	2.3	632	EA
VS1MX21-4	No	No	A	1	4.3	632	EA
VS1MX21-4D	No	Yes	A	1	4.3	653	EA
VS1MX22-4	No	No	A	2	7	654	EA
VS1MX22-4D	No	Yes	A	2	7	719	EA
VS1MX22-4T	No	No	B	2	7	727	EA
VS1MX22-4TF	Yes	No	B	2	7	719	EA
VS1MX22-4TD	No	Yes	B	2	7	799	EA
VS1MX22-4TDF	Yes	Yes	B	2	7	791	EA
VS1MX23-4T	No	No	B	3	10.5	754	EA
VS1MX23-4TF	Yes	No	B	3	10.5	829	EA
VS1MX23-4TD	No	Yes	B	3	10.5	829	EA
VS1MX23-4TDF	Yes	Yes	B	3	10.5	912	EA
VS1MX25-4T	No	No	C	5	18	1,075	EA
VS1MX25-4TF	Yes	No	C	5	18	1,183	EA
VS1MX25-4TD	No	Yes	C	5	18	1,183	EA
VS1MX25-4TDF	Yes	Yes	C	5	18	1,301	EA



**BALDOR • RELIANCE**
**VS1MX – 230V, 50/60 Hz, 3-Phase Input (230V, 3-Phase Output) – NEMA 12 (Green Enclosure)**

Catalog Number	EMC Filter	Disconnect	Frame	Hp	Output Current	List Price	Mult. Sym.
VS1MX20P5-2	No	No	A	0.5	2.3	527	EA
VS1MX20P5-2D	No	Yes	A	0.5	2.3	580	EA
VS1MX21-2	No	No	A	1	4.3	547	EA
VS1MX21-2D	No	Yes	A	1	4.3	602	EA
VS1MX22-2	No	No	A	2	7	601	EA
VS1MX22-2D	No	Yes	A	2	7	661	EA
VS1MX22-2T	No	No	A	2	7	668	EA
VS1MX22-2TF	Yes	No	B	2	7	661	EA
VS1MX22-2TD	No	Yes	A	2	7	734	EA
VS1MX22-2TDF	Yes	Yes	B	2	7	728	EA
VS1MX23-2T	No	No	B	3	10.5	693	EA
VS1MX23-2TF	Yes	No	B	3	10.5	763	EA
VS1MX23-2TD	No	Yes	B	3	10.5	763	EA
VS1MX23-2TDF	Yes	Yes	B	3	10.5	839	EA

**VS1MX – 460V, 50/60 Hz, 3-Phase Input (460V, 3-Phase Output) – NEMA 4X/12 (White Enclosure)**

Catalog Number	EMC Filter	Disconnect	Frame	Hp	Output Current	List Price	Mult. Sym.
VS1MX41-4	No	No	A	1	2.2	699	EA
VS1MX41-4F	Yes	No	A	1	2.2	769	EA
VS1MX41-4D	No	Yes	A	1	2.2	769	EA
VS1MX41-4DF	Yes	Yes	A	1	2.2	846	EA
VS1MX42-4	No	No	A	2	4.1	845	EA
VS1MX42-4F	Yes	No	A	2	4.1	930	EA
VS1MX42-4D	No	Yes	A	2	4.1	930	EA
VS1MX42-4DF	Yes	Yes	A	2	4.1	1,023	EA
VS1MX42-4T	No	No	B	2	4.1	939	EA
VS1MX42-4TF	Yes	No	B	2	4.1	1,033	EA
VS1MX42-4TD	No	Yes	B	2	4.1	1,033	EA
VS1MX42-4TDF	Yes	Yes	B	2	4.1	1,137	EA
VS1MX43-4T	No	No	B	3	5.8	978	EA
VS1MX43-4TF	Yes	No	B	3	5.8	1,075	EA
VS1MX43-4TD	No	Yes	B	3	5.8	1,075	EA
VS1MX43-4TDF	Yes	Yes	B	3	5.8	1,183	EA
VS1MX45-4T	No	No	B	5	9.5	1,215	EA
VS1MX45-4TF	Yes	No	B	5	9.5	1,337	EA
VS1MX45-4TD	No	Yes	B	5	9.5	1,337	EA
VS1MX45-4TDF	Yes	Yes	B	5	9.5	1,470	EA
VS1MX47-4T	No	No	C	7.5	14	1,569	EA
VS1MX47-4TF	Yes	No	C	7.5	14	1,726	EA
VS1MX47-4TD	No	Yes	C	7.5	14	1,726	EA
VS1MX47-4TDF	Yes	Yes	C	7.5	14	1,898	EA
VS1MX410-4T	No	No	C	10	18	1,861	EA
VS1MX410-4TF	Yes	No	C	10	18	2,047	EA
VS1MX410-4TD	No	Yes	C	10	18	2,047	EA
VS1MX410-4TDF	Yes	Yes	C	10	18	1,884	EA

## VS1MX – 460V, 50/60 Hz, 3-Phase Input (460V, 3-Phase Output) – NEMA 12 (Green Enclosure)

Catalog Number	EMC Filter	Disconnect	Frame	Hp	Output Current	List	Mult. Sym.
VS1MX41-2	No	No	A	1	2.2	643	EA
VS1MX41-2F	Yes	No	A	1	2.2	707	EA
VS1MX41-2D	No	Yes	A	1	2.2	707	EA
VS1MX41-2DF	Yes	Yes	A	1	2.2	778	EA
VS1MX42-2	No	No	A	2	4.1	777	EA
VS1MX42-2F	Yes	No	A	2	4.1	855	EA
VS1MX42-2D	No	Yes	A	2	4.1	855	EA
VS1MX42-2DF	Yes	Yes	A	2	4.1	941	EA
VS1MX42-2T	No	No	B	2	4.1	863	EA
VS1MX42-2TF	Yes	No	B	2	4.1	950	EA
VS1MX42-2TD	No	Yes	B	2	4.1	950	EA
VS1MX42-2TDF	Yes	Yes	B	2	4.1	1,046	EA
VS1MX43-2T	No	No	B	3	5.8	899	EA
VS1MX43-2TF	Yes	No	B	3	5.8	989	EA
VS1MX43-2TD	No	Yes	B	3	5.8	989	EA
VS1MX43-2TDF	Yes	Yes	B	3	5.8	1,088	EA
VS1MX45-2T	No	No	B	5	9.5	1,118	EA
VS1MX45-2TF	Yes	No	B	5	9.5	1,230	EA
VS1MX45-2TD	No	Yes	B	5	9.5	1,230	EA
VS1MX45-2TDF	Yes	Yes	B	5	9.5	1,353	EA

### Mounting Dimensions - NEMA 12 (IP55)

Frame	Height Inches (mm)	Width Inches (mm)	Depth Inches (mm)
A	7.87 (200)	5.51 (140)	6.54 (166)
B	12.2 (310)	6.5 (165)	7.04 (180)

### Mounting Dimensions - NEMA 4X (IP66)

Frame	Height Inches (mm)	Width Inches (mm)	Depth Inches (mm)
A	9.13 (232)	6.34 (161)	6.89 (175)
B	10.12 (257)	7.40 (178)	7.30 (185.5)
C	12.01 (305)	8.29 (210.5)	8.97 (227.8)

## VS1MX Accessories

VS1ST Accessories are compatible with the VS1MX. See appropriate catalog pages for a list of available options. Other options for the VS1MX are as follows:

## VS1MX Dynamic Braking Resistors

VS1MX Frame B and C drives include built-in braking transistors to aid in applications requiring the ability to stop rapidly. The resistor kit is designed for the VS1MX and mount external to the drive.

Description	Catalog Number	List Price	Mult. Sym.
DB Resistor 50 Ohm, 200 Watt	VS1MX-R50W200	320	EA

## VS1MX IP55 Padlock

VS1MX IP55 Drives with a built in disconnect switch can be locked out using the padlock below.

Description	Catalog Number	List Price	Mult. Sym.
VS1MX IP55 Padlock	VS1MX-ILOCK	32	EA

**BALDOR • RELIANCE**
**VS1PF Pump and Fan  
AC Drive**
**7.5 thru 40 Hp  
7.5 thru 700 Hp**
**230 VAC  
460 VAC**
**3 Phase - 50/60 Hz  
3 Phase - 50/60 Hz**

**Applications:** Pump and Fan AC Drive Applications (both Variable and Constant Torque) from 5 to 700 Hp.

**Features:** Nema 1 enclosure as standard up to 15Hp. IP00 with NEMA 1 enclosure Kits available from 20 Hp to 125 Hp. IP00 as standard over 125 Hp. Integral keypad and plain English 2-line display including UP/DOWN keys to adjust speed reference. Dual PID control loops. External DBU Dynamic Braking kits connect to remote braking resistor for enhanced performance needs. Sleep/Wake Function -- Ability to disable/re-enable drives automatically as demand dictates. Energy Savings Function Power Dip Ride-thru. Flying Start Function.



<b>Input Ratings</b>	Voltage	230	460
	Voltage Range	170-253	323-528
	Phase	3 Phase (single phase with 50% derate)	
	Frequency	50/60 Hz +5%	
<b>Output Ratings</b>	Horsepower	7.5-40 Hp @ 230VAC, 3PH; 7.5-700 Hp @ 460VAC, 3 PH;	
	Overload Capacity	Heavy Duty (Constant Torque) = 150% for 60 seconds, 180% for 4 seconds Normal Duty (Variable Torque) = 110% for 60 seconds and 130% for 4 seconds.	
	Frequency	0-400 Hz	
	Voltage	0 to maximum input voltage (RMS)	
<b>Protective Features</b>	Trip	Missing control power, over current, over voltage, under voltage, over temperature (motor or control), output shorted or grounded, motor overload	
	External Output	LED trip condition indicators, 5 assignable logic outputs, 2 assignable analog outputs	
	Short Circuit	Phase to phase, phase to ground	
<b>Environmental Conditions</b>	Temperature	-10 to 40°C. Derate 2% per °C to maximum ambient temperature of 50°C.	
	Cooling	Forced air	
	Enclosure	NEMA 1 and IP00	
	Altitude	Sea level to 3300 Feet (1000 Meters) Derate 2% per 1000 Feet (303 Meters) above 3300 Feet	
	Humidity	10 to 95% RH Non-Condensing	
	Storage Temperature	-40 to +70°C	
<b>Keypad Display</b>	Display	16 character x 2-line, plain-English alpha-numeric display	
	Keys	9 key membrane with tactile response	
	Functions	Output status monitoring, Digital speed control, Parameter setting and display, Diagnostic and Fault log display, Motor run and jog, Local/Remote toggle	
	LED Indicators	Forward run command, Reverse run command, Stop command	
	Remote Mount	5 meter distance	
	Trip	Separate message and trace log for each trip, last 5 trips retained in memory	
<b>Control Specifications</b>	Control Method	Microprocessor controlled PWM output, selectable encoderless vector or V/Hz inverter	
	Sleep / Wake Function	Ability to disable/re-enable drive automatically as demand dictates	
	Programmable Preset Speeds	Sixteen	
	Accel/Decel	0-6000 seconds, linear, S-Curve, U-Curve	
	Energy Savings Function	Automatic Mode	
	Frequency Control Range	0-400 Hz	
	Frequency Avoidance	3 Bands	
	Selectable Operating Modes	Keypad, 2-Wire, 3-Wire, 16 Preset Speeds, Fan Pump, Process Control.	
<b>Analog Inputs</b>	Two total	One: 0-10VDC or -10 to 10VDC One: 4-20mADC	
	<b>Analog Outputs</b>	Two	Two: 0-12 VDC
<b>Digital Inputs</b>	Pull - up or Pull - down	8 Completely Configurable Inputs	
<b>Digital Outputs</b>	Five Total	Four Form A Relays One Form C Relay	

**VS1PF – 230V, 50/60 Hz, 3-Phase**

Catalog Number	Frame	Hp (Normal Duty)	Output Current	List Price	Mult. Sym.
VS1PF27-1	A	7.5	24	1,277	EB
VS1PF210-1	B	10	32	1,489	EB
VS1PF215-1	B	15	46	1,649	EB
VS1PF220-9	C	20	60	1,915	EB
VS1PF225-9	C	25	74	2,447	EB
VS1PF230-9	E	30	88	3,191	EB
VS1PF240-9	E	40	115	3,723	EB

**VS1PF – 460V, 50/60 Hz, 3-Phase**

Catalog Number	Frame	Hp (Normal Duty)	Output Current	List Price	Mult. Sym.
VS1PF47-1	A	7.5	12	1,223	EB
VS1PF410-1	B	10	16	1,489	EB
VS1PF415-1	B	15	24	1,596	EB
VS1PF420-9	C	20	30	1,979	EB
VS1PF420-9L*	D	20	30	2,340	EB
VS1PF425-9	C	25	39	2,340	EB
VS1PF425-9L*	D	25	39	2,766	EB
VS1PF430-9	E	30	45	3,085	EB
VS1PF430-9L*	F	30	45	3,457	EB
VS1PF440-9	E	40	61	3,723	EB
VS1PF440-9L*	F	40	61	4,096	EB
VS1PF450-9	G	50	75	4,468	EB
VS1PF450-9L*	J	50	75	5,000	EB
VS1PF460-9	G	60	91	5,745	EB
VS1PF460-9L*	J	60	91	6,383	EB
VS1PF475-9	H	75	110	6,915	EB
VS1PF475-9L*	K	75	110	7,553	EB
VS1PF4100-9	L	100	152	7,766	EB
VS1PF4100-9L*	M	100	152	8,617	EB
VS1PF4125-9	L	125	183	9,574	EB
VS1PF4125-9L*	M	125	183	10,479	EB
VS1PF4150-9L*	N	150	223	11,064	EB
VS1PF4200-9L*	N	200	264	12,766	EB
VS1PF4250-9L*	P	250	325	14,894	EB
VS1PF4300-9L*	R	300	413	18,085	EB
VS1PF4350-9L*	R	350	432	21,277	EB
VS1PF4400-9L*	R	400	547	29,787	EB
VS1PF4500-9	S	500	613	34,043	EB
VS1PF4600-9	T	600	731	42,553	EB
VS1PF4700-9	T	700	877	51,064	EB

\* Built-In DC Link Inductor

 Farm Duty  
Motors

 Definite Purpose  
Motors

Unit Handling

Brake Motors

 200 & 575 Volt  
Motors

 IEC Frame  
Motors

 50 Hertz  
Motors

 Inverter/Vector  
Motors & Controls

 DC Motors  
and Controls

 Soft Starters &  
Dynamic Brakes

**BALDOR • RELIANCE**

**VS1PF Pump and Fan Bypass AC Drive**

**7.5 thru 40 Hp  
7.5 thru 125 Hp**

**230 VAC  
460 VAC**

**3 Phase - 50/60 Hz  
3 Phase - 50/60 Hz**

**Applications:** Pump and Fan AC Drive Applications from 7.5 to 125 Hp, where System Bypass capability is required.

**Features:** Nema 1 type enclosure Circuit Breaker with lockable Disconnect Line Reactor rated at 3% Surge Suppression VS1PF control Thermostat input Class 10 Motor Overload Hand-Off-Auto selector switch ASD-Off-Bypass Manual Potentiometer for Hand mode Analog input, voltage or current, for Auto mode Power on, Fault, ASD, Bypass indicating light. PID control - Internal and External Flying Start, Sleep/Wake, Sensorless Vector Control, Energy Savings Options: Fused Drive Input, Load Reactor, Communication Boards



**VS1PFB – 230V, 50/60 Hz, 3-Phase**

Catalog Number	Frame	Hp (Normal Duty)	Output Current	List Price	Mult. Sym.
VS1PFB27-1	B2	7.5	24	3,899	EB
VS1PFB210-1	B2	10	32	4,086	EB
VS1PFB215-1	B2	15	46	5,207	EB
VS1PFB220-1	C2	20	60	5,933	EB
VS1PFB225-1	C2	25	74	6,928	EB
VS1PFB230-1	E2	30	88	8,008	EB
VS1PFB240-1	E2	40	115	10,259	EB

**VS1PFB – 460V, 50/60 Hz, 3-Phase**

Catalog Number	Frame	Hp (Normal Duty)	Output Current	List Price	Mult. Sym.
VS1PFB47-1	B4	7.5	12	3,928	EB
VS1PFB410-1	B4	10	16	3,975	EB
VS1PFB415-1	B4	15	24	4,753	EB
VS1PFB420-1	C4	20	30	5,709	EB
VS1PFB425-1	C4	25	39	6,522	EB
VS1PFB430-1	E4	30	45	7,529	EB
VS1PFB440-1	E4	40	61	9,542	EB
VS1PFB450-1	G4	50	75	11,024	EB
VS1PFB460-1	G4	60	91	12,060	EB
VS1PFB475-1	H4	75	110	14,613	EB
VS1PFB4100-1	L4	100	152	19,212	EB
VS1PFB4125-1	L4	125	183	20,417	EB

**NOTE:** Above Bypass Units available with optional fused Drive Input and Load Reactors. Contact your local Baldor•Reliance District Office.

Farm Duty Motors

Definite Purpose Motors

Unit Handling

Brake Motors

200 & 575 Volt Motors

IEC Frame Motors

50 Hertz Motors

Inverter/Vector Motors & Controls

DC Motors and Controls

Soft Start & Dynamic Brakes

## VS1PF – Accessories

### VS1PF NEMA 1 Kit

Description	Catalog Number	List Price	Mult. Sym.
NEMA 1 Kit for 20Hp & 25Hp Without Built-In DC Link Inductor	<b>VS1PF-NM1C</b>	58	EB
NEMA 1 Kit for 20Hp & 25Hp With Built-In DC Link Inductor	<b>VS1PF-NM1D</b>	66	EB
NEMA 1 Kit for 30Hp & 40Hp Without Built-In DC Link Inductor	<b>VS1PF-NM1E</b>	77	EB
NEMA 1 Kit for 30Hp & 40Hp With Built-In DC Link Inductor	<b>VS1PF-NM1F</b>	85	EB
NEMA 1 Kit for 50Hp to 75Hp Without Built-In DC Link Inductor	<b>VS1PF-NM1GH</b>	116	EB
NEMA 1 Kit for 50Hp to 75Hp With Built-In DC Link Inductor	<b>VS1PF-NM1JK</b>	116	EB
NEMA 1 Kit for 100Hp & 125Hp Without Built-In DC Link Inductor	<b>VS1PF-NM1L</b>	155	EB
NEMA 1 Kit for 100Hp & 125Hp With Built-In DC Link Inductor	<b>VS1PF-NM1M</b>	155	EB

The Dynamic Braking Unit and resistors must be mounted separate from the VS1PF drive. See the VS1PF Manual for additional details.

### VS1PF NEMA 4X Keypad

A NEMA 4X Keypad is available for remote mounting. Use the cables listed in the VS1PF remote keypad cables table below for mounting the NEMA 4X keypad.

Description	Catalog Number	List Price	Mult. Sym.
VS1PF NEMA 4X Remote Keypad	<b>VS1PF-RKEYN4</b>	200	E8

### VS1PF Remote Keypad Extension Cable

The VS1PF Keypad can be removed and remote mounted to door of a host enclosure. To remote mount the VS1PF Keypad, an extension cable is needed.

Description	Catalog Number	List Price	Mult. Sym.
VS1PF Remote Keypad 2m cable	<b>VS1PF-CBL2</b>	52	EB
VS1PF Remote Keypad 3m cable	<b>VS1PF-CBL3</b>	66	EB
VS1PF Remote Keypad 5m cable	<b>VS1PF-CBL5</b>	80	EB

### VS1PF Remote Keypad Extender Kit

This kit allows a remote keypad to be located long distances from the PF device.

Description	Catalog Number	List Price	Mult. Sym.
VS1PF Remote Keypad Extender Kit	<b>VS1PF-KPEXT</b>	995	EB

### VS1PF Communication Options

Several Communication Option Boards are available & planned for the VS1PF.

Description	Catalog Number	List Price	Mult. Sym.
DeviceNet Option Board for VS1PF	<b>VS1PF-DNET</b>	312	EB
MODBUS-RTU Option Board for VS1PF	<b>VS1PF-MBUS</b>	265	EB
Profibus Option Board for VS1PF	<b>VS1PF-PBUS</b>	478	EB
MODBUS TCP/IP Option Board for VS1PF	<b>VS1PF-MBTCP</b>	Contact Factory	EB
LONWORKS Option Board for VS1PF	<b>VS1PF-LON</b>		EB
BACNET TCP/IP Option Board for VS1PF	<b>VS1PF-BAC</b>		EB



**BALDOR • RELIANCE**
**VS1PF mA Output Board**

This kit allows the ability for the VS1PF to provide a 0-20mA output signal.

Description	Catalog Number	List Price	Mult. Sym.
VS1PF mA Output Board	VS1PF-MAOUT	200	EB

**VS1 USB to RS485 Converter Kit**

This kit allows communications between a USB port on a computer and the VS1PF Drive RS485 control terminals.

Description	Catalog Number	List Price	Mult. Sym.
VS1 USB to RS485 Converter Kit	VS1-COMMUSB	500	EA

**DriveView Software**

DriveView communications software for Baldor VS1PF Drives is available at no charge by downloading from the Baldor VS Drives web site at [www.baldor.com](http://www.baldor.com).

**VS1PF Dynamic Braking Units and Resistors**

Input Volts	Dynamic Braking Unit Selection **					Recommended Dynamic Braking Resistors					
	Hp	Dynamic Braking Unit Catalog Number	List Price (Each)	Mult. Sym.	Minimum Allowable Ohms	Maximum Continuous Braking Wattage	Resistor Catalog Number	List Price (Each)	Mult. Sym.	Ohms	Wattage
230	7.5	VS1PF-T220	596	EB	8.5	3,200	VS1-R20W800	298	EB	20	800
	10	VS1PF-T220	596	EB	8.5	3,200	VS1-R15W1200	360	EB	15	1,200
	15	VS1PF-T220	596	EB	8.5	3,200	VS1-R10W2400	476	EB	10	2,400
	20	VS1PF-T220	596	EB	8.5	3,200	VS1-R10W2400	476	EB	10	2,400
	25	VS1PF-T230	667	EB	5.7	4,800	VS1-R8W2400	476	EB	8	2,400
	30	VS1PF-T230	667	EB	5.7	4,800	VS1-R8W2400	476	EB	8	2,400
	40	VS1PF-T250	1,314	EB	4.2	6,400	VS1-R5W3600	859	EB	5	3,600
	50	VS1PF-T250	1,314	EB	4.2	6,400	VS1-R5W3600	859	EB	5	3,600
	60	VS1PF-T275	1,504	EB	2.8	9,600	VS1-R8W2400*	476	EB	4	4,800
460	7.5	VS1PF-T420	596	EB	33.9	3,200	VS1-R85W1000	337	EB	85	1,000
	10	VS1PF-T420	596	EB	33.9	3,200	VS1-R60W1200	360	EB	60	1,200
	15	VS1PF-T420	596	EB	33.9	3,200	VS1-R40W2000	453	EA	40	2,000
	20	VS1PF-T420	596	EB	33.9	3,200	VS1-R40W2000	453	EA	40	2,000
	25	VS1PF-T430	667	EB	22.8	4,800	VS1-R30W2400	476	EB	30	2,400
	30	VS1PF-T430	667	EB	22.8	4,800	VS1-R30W2400	476	EB	30	2,400
	40	VS1PF-T450	1,314	EB	16.9	6,400	VS1-R20W3600	859	EB	20	3,600
	50	VS1PF-T450	1,314	EB	16.9	6,400	VS1-R20W3600	859	EB	20	3,600
	60	VS1PF-T475	1,504	EB	11.4	9,600	VS1-R30W2400*	476	EB	15	4,800
	75	VS1PF-T475	1,504	EB	11.4	9,600	VS1-R30W2400*	476	EB	15	4,800
100	VS1PF-T4100	1,551	EB	8.4	12,800	VS1-R20W3600*	859	EB	10	7,200	

\* Use two resistors in parallel to provide the recommended ohms and wattage.

\*\* Enclosure = IP20

Farm Duty Motors

Definite Purpose Motors

Unit Handling

Brake Motors

200 &amp; 575 Volt Motors

IEC Frame Motors

50 Hertz Motors

Inverter/Vector Motors &amp; Controls

DC Motors and Controls

Soft Start &amp; Dynamic Brakes

**VS1SP Inverter/Encoderless  
Vector Drive**


**1 thru 3 Hp**  
**1 thru 60 Hp**  
**1 thru 300 Hp**  
**1 thru 300 Hp**

**115/230 VAC**  
**230 VAC**  
**460 VAC**  
**575 VAC**

**1 Phase - 50/60 Hz**  
**3 Phase - 50/60 Hz**  
**3 Phase - 50/60 Hz**  
**3 Phase - 50/60 Hz**

**Applications:** Constant torque, variable torque or constant horsepower applications. New installations, replacements and original equipment manufacturers (OEM).

**Features:** NEMA 1 and NEMA 4 enclosure. Output frequency 0 to 500 Hz with peak overload capacity of 175%. Separate accel/decel rates and controlled reversing. Built-in two and three input PID process control loop.

<b>Input Ratings</b>	Voltage	115	230	230	460	575
	Voltage Range	95-130	180-264	180-264	340-528	515-660
	Phase	Single Phase		Three Phase (single phase with derating)		
	Frequency	50/60Hz +5%				
<b>Output Ratings</b>	Impedance	1% minimum from mains connection				
	Horsepower	1-3 Hp @ 115/230VAC, 1PH; 1-60 Hp @ 230VAC, 3PH; 1-300 Hp @ 460VAC, 3PH; 1-300 Hp @ 575VAC, 3PH				
	Overload Capacity	Heavy Duty (Constant Torque) = 150% for 60 seconds, 175% for 3 seconds Normal Duty (Variable Torque) = 115% for 60 seconds				
	Frequency	0-500Hz				
<b>Protective Features</b>	Voltage	0 to maximum input voltage (RMS) (Note: 0 to 230 V for 115 V Single Phase Units)				
	Trip	Missing control power, over current, over voltage, under voltage, over temperature (motor or control), output shorted or grounded, motor overload				
	Stall Prevention	Over voltage suppression, overcurrent suppression				
	External Output	LED trip condition indicators, 4 assignable logic outputs, 2 assignable analog outputs				
	Short Circuit	Phase to phase, phase to ground				
<b>Environmental Conditions</b>	Electronic Motor Overload	Meets UL508C (I <sup>2</sup> T)				
	Temperature	-10 to 45°C. Derate 3% per °C to maximum ambient temperature of 55°C.				
	Cooling	Forced air				
	Enclosure	NEMA 1		NEMA 4X		
	Altitude	Sea level to 3300 Feet (1000 Meters) Derate 2% per 1000 Feet (303 Meters) above 3300 Feet				
	Humidity	NEMA 1: 10 to 90% RH Non-Condensing		NEMA 4X:		To 100% RH Condensing
<b>Keypad Display</b>	Shock / Vibration	1G / 0.5G at 10Hz to 60Hz				
	Storage Temperature	-10 to +65°C				
	Display	LCD Graphical 128x64 Pixel				
	Keys	14 key membrane with tactile feedback				
<b>Control Specifications</b>	Functions	Output status monitoring, Digital speed control, Parameter setting and display, Diagnostic and Fault log display, Motor run and jog, Local/Remote toggle				
	LED Indicators	Forward run command, Reverse run command, Stop command, Jog active				
	Remote Mount	200 feet (60.6m) maximum from control, NEMA 4 Rated				
	Trip	Separate message and trace log for each trip, last 10 trips retained in memory				
	Control Method	Microprocessor controlled PWM output, selectable encoderless vector or V/Hz inverter				
	PWM Frequency	Adjustable 1.5-5kHz STD, 5-16 kHz quiet				
<b>Analog Inputs</b>	Frequency Setting	±5 VDC, 0-5 VDC ±10 VDC, 0-10 VDC, 4-20 mA or 0-20 mA; digital (keypad), Serial Comms/USB 2.0, and Modbus RTU standard				
	Accel/Decel	0-3600 seconds				
	V/Hz Ratio	Linear to squared reduced, base frequency, output voltage, minimum frequency limit, maximum frequency limit				
	Torque Boost	0-30% of input voltage; automatic with manual override				
	Brake Torque	20% standard on Sizes AA and B, 1% standard on Size C, D				
	Skip Frequency	Three zones 0-Max frequency				
	PC Setup Software	MINT® WorkBench Software available using the USB 2.0 port for commissioning wizard, firmware download, parameter viewer, scope capture and cloning				
	Maximum Output Frequency	500 Hz				
	Selectable Operating Modes	Keypad, Standard Run, 2-Wire, Standard Run 3-Wire, 15 Preset Speeds, Fan Pump 2-Wire, Fan Pump 3-Wire, Process Control, 3-SPD ANA 2-Wire, 3-SPD ANA 3-Wire, Electronic Pot 2-Wire, Electronic Pot 3-Wire, Network Profile Run, Bipolar				
	<b>Analog Outputs</b>	One Differential	±5VDC, ±10VDC, 4-20 mA and 0-20 mA, 11-bit + sign			
One Single Ended		0 - 10 VDC, 11-bit				
Input Impedance		80 kOhms (Volt mode); 500 Ohms (Current mode)				
<b>Digital Inputs</b>	Analog Outputs	2 Assignable				
	Full Scale Range	AOUT1 (0-5V, 0-10V, 0-20mA or 4-20mA), AOUT2 (+5V, +10V)				
	Source Current	1 mA maximum (volt mode), 20mA (current mode)				
	Resolution	9 bits				
<b>Digital Outputs (2 Opto Outputs)</b>	Opto-isolated Inputs	8 Assignable, 1 dedicated input (Drive Enable)				
	Rated Voltage	10 - 30 VDC (closed contacts std)				
	Input Impedance	4.71 k Ohms				
	Leakage Current	10 mA maximum				
	Update Rate	16 msec				
<b>Digital Outputs (2 Relay Outputs)</b>	Rated Voltage	5 to 30VDC				
	Maximum Current	60 mA Maximum				
	ON Voltage Drop	2 VDC Maximum				
	OFF Leakage Current	0.1 mA Maximum				
	Output Conditions	25 Conditions				
<b>Digital Outputs (2 Relay Outputs)</b>	Rated Voltage	5 to 30VDC or 240VAC				
	Maximum Current	5A Maximum non-inductive				
	Output Conditions	25 Conditions				

Farm Duty Motors

Definite Purpose Motors

Unit Handling

Brake Motors

200 &amp; 575 Volt Motors

IEC Frame Motors

50 Hertz Motors

Inverter/Vector Motors &amp; Controls

DC Motors and Controls

Soft Starters &amp; Dynamic Brakes

**VS1SP Inverter/Encoderless Vector – NEMA 1 Enclosure**

Catalog Number	Size	Heavy Duty				Normal Duty				List Price	Mult. Sym.
		Hp	kW	Cont. Amps	Peak Amps	Hp	kW	Cont. Amps	Peak Amps		
<b>115/230 Volts - Single Phase Input</b>											
VS1SP61-1B	AA	1	0.75	4.2	7.4	2	1.5	6.8	8.5	1,100	EC
VS1SP62-1B	AA	2	1.5	6.8	11.9	3	2.2	9.6	12	1,252	EC
VS1SP63-1B	AA	3	2.2	9.6	16.8	3	2.2	9.6	12	1,463	EC
<b>230 Volts - Three Phase Input</b>											
VS1SP21-1B	AA	1	0.75	4.2	7.35	2	1.5	6.8	8.5	1,000	EC
VS1SP22-1B	AA	2	1.5	6.8	11.9	3	2.2	9.6	12	1,138	EC
VS1SP23-1B	AA	3	2.2	9.6	16.8	5	3.7	15.2	19	1,330	EC
VS1SP25-1B	AA	5	3.7	15.2	26.6	7.5	5.6	22	27.5	1,521	EC
VS1SP27-1B	AA	7.5	5.6	22	38.5	7.5	5.6	22	27.5	1,904	EC
VS1SP210-1B	B	10	7.5	28	49	15	11	42	52.5	2,681	EC
VS1SP215-1B	B	15	11	42	73.5	20	15	54	67.5	3,191	EC
VS1SP220-1B	B	20	15	54	94.5	25	18.7	68	85	4,255	EC
VS1SP225-1B	C	25	18.7	68	119	30	22.4	80	92	5,106	EC
VS1SP230-1B	C	30	22.4	80	140	40	29.8	104	120	6,596	EC
VS1SP240-1B	C	40	29.8	104	182	40	29.8	104	120	7,872	EC
VS1SP250-1B	D	50	37	130	228	60	45	154	177	10,000	EC
VS1SP260-1B	D	60	45	154	270	60	45	154	177	12,703	EC
<b>460 Volts - Three Phase Input</b>											
VS1SP41-1B	AA	1	0.75	2.1	3.68	2	1.5	3.4	4.25	1,202	EC
VS1SP42-1B	AA	2	1.5	3.4	5.95	3	2.2	4.8	6	1,457	EC
VS1SP43-1B	AA	3	2.2	4.8	8.4	5	3.7	7.6	9.5	1,766	EC
VS1SP45-1B	AA	5	3.7	7.6	13.3	7.5	5.6	11	13.75	1,915	EC
VS1SP47-1B	AA	7.5	5.6	11	19.3	10	7.5	14	17.5	2,426	EC
VS1SP410-1B	AA	10	7.4	14	24.5	10	7.5	14	17.5	2,660	EC
VS1SP415-1B	B	15	11	21	36.75	20	15	27	33.75	3,404	EC
VS1SP420-1B	B	20	15	27	47.25	25	18.7	34	42.5	4,043	EC
VS1SP425-1B	B	25	18.7	34	60	30	22	40	50	5,000	EC
VS1SP430-1B	C	30	22.4	40	70	40	29.8	52	60	6,064	EC
VS1SP440-1B	C	40	29.8	52	91	50	37.3	65	75	7,447	EC
VS1SP450-1B	C	50	37.3	65	114	60	44.8	77	89	8,936	EC
VS1SP460-1B	D	60	45	77	135	75	56	96	110	9,998	EC
VS1SP475-1B	D	75	56	96	168	100	75	124	143	11,596	EC
VS1SP4100-1B	D	100	75	124	217	125	93	156	179	13,404	EC
VS1SP4125-1B	D	125	93	156	273	125	93	156	179	14,362	EC
VS1SP4150-1B*	E	150	112	180	315	200	149	240	300	17,250	EC
VS1SP4200-1B*	E	200	149	240	420	250	187	302	378	23,000	EC
VS1SP4250-1B*	E	250	187	302	529	300	224	361	451	28,750	EC

\* VS1SP E-Frame Drives do not include an internal braking transistor.

**NOTE:** For higher HP Ratings, see pages "246-247" for information on the Baldor 15H Drives.

Farm Duty Motors

Definite Purpose Motors

Unit Handling

Brake Motors

200 &amp; 575 Volt Motors

IEC Frame Motors

50 Hertz Motors

Inverter/Vector Motors &amp; Controls

DC Motors and Controls

Soft Start &amp; Dynamic Brakes

**VS1SP Inverter/Encoderless Vector – NEMA 1 Enclosure**

Catalog Number	Size	Heavy Duty				Normal Duty				List Price	Mult. Sym.
		Hp	kW	Cont. Amps	Peak Amps	Hp	kW	Cont. Amps	Peak Amps		
<b>575 Volts - Three Phase Input</b>											
VS1SP51-1B	AA	1	0.75	1.7	3	2	1.5	2.7	3.4	1,322	EC
VS1SP52-1B	AA	2	1.5	2.7	4.7	3	2.2	3.9	4.9	1,603	EC
VS1SP53-1B	AA	3	2.2	3.9	6.8	5	3.7	6.1	7.6	1,943	EC
VS1SP55-1B	AA	5	3.7	6.1	10.7	7.5	5.6	9	11.3	2,106	EC
VS1SP57-1B	AA	7.5	5.6	9	15.8	10	7.5	11	13.8	2,668	EC
VS1SP510-1B	AA	10	7.5	11	19.3	10	7.5	11	13.8	2,926	EC
VS1SP515-1B	B	15	11	17	29.8	20	15	22	27.5	3,745	EC
VS1SP520-1B	B	20	15	22	38.5	25	18.7	27	33.8	4,447	EC
VS1SP525-1B	B	25	18.7	27	47.2	30	22	32	40	5,500	EC
VS1SP530-1B	C	30	22.4	32	56	40	29.8	41	47	6,670	EC
VS1SP540-1B	C	40	29.8	41	72	50	37.3	52	60	8,191	EC
VS1SP550-1B	C	50	37.3	52	91	60	45	62	71	9,830	EC
VS1SP560-1B	D	60	45	62	109	75	56	77	89	11,000	EC
VS1SP575-1B	D	75	56	77	135	100	75	99	114	12,755	EC
VS1SP5100-1B	D	100	75	99	173	125	93	125	144	14,745	EC
VS1SP5125-1B	D	125	93	125	219	150	112	144	166	15,798	EC
VS1SP5150-1*	E	150	112	144	252	200	149	192	240	18,900	EC
VS1SP5200-1*	E	200	149	192	336	250	187	242	302	25,200	EC
VS1SP5250-1*	E	250	187	242	423	300	224	289	361	31,500	EC

\* VS1SP E-Frame drives do not include an internal braking transistor.

Farm Duty Motors

Definite Purpose Motors

Unit Handling

Brake Motors

200 & 575 Volt Motors

IEC Frame Motors

50 Hertz Motors

Inverter/Vector Motors & Controls

DC Motors and Controls

Soft Starters & Dynamic Brakes

**VS1SP Inverter/Encoderless Vector – NEMA 4 Washdown Enclosure**

Catalog Number	Size	Heavy Duty				Normal Duty				List Price	Mult. Sym.
		Hp	kW	Cont. Amps	Peak Amps	Hp	kW	Cont. Amps	Peak Amps		
<b>115/230 Volts - Single Phase Input</b>											
VS1SP61-4B	AA	1	0.75	4.2	7.4	2	1.5	6.8	8.5	1,182	EC
VS1SP62-4B	AA	2	1.5	6.8	11.9	3	2.2	9.6	12	1,346	EC
VS1SP63-4B	AA	3	2.2	9.6	16.8	3	2.2	9.6	12	1,568	EC
<b>230 Volts - Three Phase Input</b>											
VS1SP21-4B	AA	1	0.75	4.2	7.35	2	1.5	6.8	8.5	1,074	EC
VS1SP22-4B	AA	2	1.5	6.8	11.9	3	2.2	9.6	12	1,223	EC
VS1SP23-4B	AA	3	2.2	9.6	16.8	5	3.7	15.2	19	1,429	EC
VS1SP25-4B	AA	5	3.7	15.2	26.6	7.5	5.6	22	27.5	1,649	EC
VS1SP27-4B	AA	7.5	5.6	22	38.5	7.5	5.6	22	27.5	2,043	EC
<b>460 Volts - Three Phase Input</b>											
VS1SP41-4B	AA	1	0.75	2.1	3.68	2	1.5	3.4	4.25	1,330	EC
VS1SP42-4B	AA	2	1.5	3.4	5.95	3	2.2	4.8	6	1,511	EC
VS1SP43-4B	AA	3	2.2	4.8	8.4	5	3.7	7.6	9.5	1,840	EC
VS1SP45-4B	AA	5	3.7	7.6	13.3	7.5	5.6	11	13.75	2,106	EC
VS1SP47-4B	AA	7.5	5.6	11	19.3	10	7.5	14	17.5	2,766	EC
VS1SP410-4B	AA	10	7.4	14	24.5	10	7.4	14	17.5	2,926	EC
<b>575 Volts - Three Phase Input</b>											
VS1SP51-4B	AA	1	0.75	1.7	3	2	1.5	2.7	3.4	1,463	EC
VS1SP52-4B	AA	2	1.5	2.7	4.7	3	2.2	3.9	4.9	1,662	EC
VS1SP53-4B	AA	3	2.2	3.9	6.8	5	3.7	6.1	7.6	2,024	EC
VS1SP55-4B	AA	5	3.7	6.1	10.7	7.5	5.6	9	11.3	2,317	EC
VS1SP57-4B	AA	7.5	5.6	9	15.8	10	7.5	11	13.8	3,043	EC
VS1SP510-4B	AA	10	7.5	11	19.3	10	7.5	11	13.8	3,218	EC

**Mounting Dimensions**

Frame	Dimensions inches (mm)					Ap'x. Shpg. Wgt.
	Outside			Mounting		
	Height Inches (mm)	Width Inches (mm)	Depth Inches (mm)	Height Inches (mm)	Width Inches (mm)	lbs. (kg)
AA	12.27 (312)	7.97 (202)	8.21 (209)	11.75 (298)	7.38 (187)	20 (9.1)
B	18.00 (457)	9.10 (231)	9.77 (248)	17.25 (438)	7.00 (178)	30 (13.6)
C	22.00 (559)	9.10 (231)	9.77 (248)	21.25 (540)	7.00 (178)	60 (27.2)
D	28.00 (711)	11.50 (292)	13.00 (330)	27.25 (692)	9.50 (241)	120 (54.4)
E	42.81 (1087)	18.75 (476)	16.00 (406)	39.75 (1010)	15.75 (400)	250 (113.4)

**Note:** E-Frame dimensions include a 3.0" H x 17.5" W x 5.2" D conduit box which is removable for panel mount (chassis) applications.

Farm Duty Motors

Definite Purpose Motors

Unit Handling

Brake Motors

200 &amp; 575 Volt Motors

IEC Frame Motors

50 Hertz Motors

Inverter/Vector Motors &amp; Controls

DC Motors and Controls

Soft Start &amp; Dynamic Brakes

### VS1GV Vector Drive



**1 thru 3 Hp**  
**1 thru 60 Hp**  
**1 thru 300 Hp**  
**1 thru 300 Hp**

**115/230 VAC**  
**230 VAC**  
**460 VAC**  
**575 VAC**

**1 Phase - 50/60 Hz**  
**3 Phase - 50/60 Hz**  
**3 Phase - 50/60 Hz**  
**3 Phase - 50/60 Hz**

**Applications:** Constant torque or constant horsepower applications. New installations, replacements and original equipment manufacturers (OEM).

**Features:** NEMA 1 and NEMA 4 enclosure. Output frequency 0 to 500 Hz with peak overload capacity of 175%. Digital speed or torque control. Built-in two and three input PID process control loop. Automatic tuning to motor and full rated torque down to zero speed.

<b>Input Ratings</b>	Voltage	115	230	230	460	575
	Voltage Range	95-130	180-264	180-264	340-528	515-660
	Phase	Single Phase			Three Phase (single phase with derating)	
	Frequency	50/60Hz +5%				
	Impedance	1% minimum from mains connection				
<b>Output Ratings</b>	Horsepower	1-3 Hp @ 115/230VAC, 1PH; 1-60 Hp @ 230VAC, 3PH; 1-300 Hp @ 460VAC, 3PH; 1-300 Hp @ 575VAC, 3PH				
	Overload Capacity	Heavy Duty (Constant Torque) = 150% for 60 seconds, 175% for 3 seconds Normal Duty (Variable Torque) = 115% for 60 seconds				
	Frequency	0-500Hz				
	Voltage	0 to maximum input voltage (RMS) (Note: 0 to 230 V for 115 V Single Phase Units)				
<b>Protective Features</b>	Trip	Missing control power, over current, over voltage, under voltage, over temperature (motor or control), output shorted or grounded, motor overload, encoder loss.				
	Stall Prevention	Over voltage suppression, overcurrent suppression				
	External Output	LED trip condition indicators, 4 assignable logic outputs, 2 assignable analog outputs				
	Short Circuit	Phase to phase, phase to ground				
	Electronic Motor Overload	Meets UL508C (I <sup>2</sup> T)				
<b>Environmental Conditions</b>	Temperature	-10 to 45°C. Derate 3% per °C to maximum ambient temperature of 55°C.				
	Cooling	Forced air				
	Enclosure	NEMA 1	NEMA 4X			
	Altitude	Sea level to 3300 Feet (1000 Meters) Derate 2% per 1000 Feet (303 Meters) above 3300 Feet				
	Humidity	NEMA 1: 10 to 90% RH Non-Condensing			NEMA 4X: To 100% RH Condensing	
	Shock / Vibration	1G / 0.5G at 10Hz to 60Hz				
	Storage Temperature	-10 to +65°C				
<b>Keypad Display</b>	Display	LCD Graphical 128x64 Pixel				
	Keys	14 key membrane with tactile feedback				
	Functions	Output status monitoring, Digital speed control, Parameter setting and display, Diagnostic and Fault log display, Motor run and jog, Local/Remote toggle, One-step tuning				
	LED Indicators	Forward run command, Reverse run command, Stop command, Jog active				
	Remote Mount	200 feet (60.6m) maximum from control, NEMA 4 Rated				
	Trip	Separate message and trace log for each trip, last 10 trips retained in memory				
	<b>Control Specifications</b>	Control Method	Microprocessor controlled PWM output, selectable closed loop vector, encoderless vector or V/Hz inverter			
PWM Frequency		Adjustable 1.5-5kHz STD, 5-16 kHz quiet				
Frequency Setting		±5 VDC, 0-5 VDC ±10 VDC, 0-10 VDC, 4-20 mA or 0-20 mA; digital (keypad), Serial Comms/USB 2.0, and Modbus RTU standard				
Accel/Decel		0-3600 seconds				
Brake Torque		20% standard on Sizes AA and B, 1% standard on Size C, D, transistor only standard size E				
Motor Matching		Automatic tuning to motor with manual override				
PC Setup Software		MINT® WorkBench Software available using the USB 2.0 port for commissioning wizard, firmware download, parameter viewer, scope capture and cloning				
Maximum Output Frequency		500 Hz				
Selectable Operating Modes		Keypad, Standard Run, 2-Wire, Standard Run 3-Wire, 15 Preset Speeds, Fan Pump 2-Wire, Fan Pump 3-Wire, Process Control, 3-SPD ANA 2-Wire, 3-SPD ANA 3-Wire, Electronic Pot 2-Wire, Electronic Pot 3-Wire, Network Profile Run, Bipolar				
<b>Motor Feedback</b>		Feedback Type	Incremental encoder coupled to motor shaft; optional resolver feedback			
	Pulses/Rev	60-20,000 selectable, 1024 standard				
	Voltage Output	2 channel in quadrature, 5 VDC, differential				
	Marker Pulse	Required for position orientation				
	Power Input	5 VDC, 12 VDC, 300 mA maximum				
	Max. Frequency	4 MHz				
<b>Analog Inputs</b>	Positioning	Buffered encoder pulse train output for position loop controller				
	One Differential	±5VDC, ±10VDC, 4-20 mA and 0-20 mA, 11-bit + sign				
	One Single Ended	0 - 10 VDC, 11-bit				
<b>Analog Outputs</b>	Input Impedance	80 kOhms (Volt mode); 500 Ohms (Current mode)				
	Analog Outputs	2 Assignable				
	Full Scale Range	AOUT1 (0-5V, 0-10V, 0-20mA or 4-20mA), AOUT2 (+5V, +10V)				
	Source Current	1 mA maximum (volt mode), 20mA (current mode)				
<b>Digital Inputs</b>	Resolution	9 bits				
	Opto-isolated Inputs	8 Assignable, 1 dedicated input (Drive Enable)				
	Rated Voltage	10 - 30 VDC (closed contacts std)				
	Input Impedance	4.71 k Ohms				
	Leakage Current	10 mA maximum				
<b>Digital Outputs (2 Opto Outputs)</b>	Update Rate	16 msec				
	Rated Voltage	5 to 30VDC				
	Maximum Current	60 mA Maximum				
	ON Voltage Drop	2 VDC Maximum				
	OFF Leakage Current	0.1 mA Maximum				
<b>Digital Outputs (2 Relay Outputs)</b>	Output Conditions	25 Conditions				
	Rated Voltage	5 to 30VDC or 240VAC				
	Maximum Current	5A Maximum non-inductive				
	Output Conditions	25 Conditions				

Farm Duty Motors

Definite Purpose Motors

Unit Handling

Brake Motors

200 &amp; 575 Volt Motors

IEC Frame Motors

50 Hertz Motors

Inverter/Vector Motors &amp; Controls

DC Motors and Controls

Soft Starters &amp; Dynamic Brakes



**BALDOR • RELIANCE**
**VS1GV Closed Loop Vector  
NEMA 1 Enclosure**

Catalog Number	Size	Heavy Duty				Normal Duty				List Price	Mult. Sym.
		Hp	kW	Cont. Amps	Peak Amps	Hp	kW	Cont. Amps	Peak Amps		
<b>115/230 Volts - Single Phase Input</b>											
VS1GV61-1B	AA	1	0.75	4.2	7.4	2	1.5	6.8	8.5	1,545	EC
VS1GV62-1B	AA	2	1.5	6.8	11.9	3	2.2	9.6	12	1,744	EC
VS1GV63-1B	AA	3	2.2	9.6	16.8	3	2.2	9.6	12	1,943	EC
<b>230 Volts - Three Phase Input</b>											
VS1GV21-1B	AA	1	0.75	4.2	7.35	2	1.5	6.8	8.5	1,404	EC
VS1GV22-1B	AA	2	1.5	6.8	11.9	3	2.2	9.6	12	1,585	EC
VS1GV23-1B	AA	3	2.2	9.6	16.8	5	3.7	15.2	19	1,766	EC
VS1GV25-1B	AA	5	3.7	15.2	26.6	7.5	5.6	22	27.5	2,043	EC
VS1GV27-1B	AA	7.5	5.6	22	38.5	7.5	5.6	22	27.5	2,309	EC
VS1GV210-1B	B	10	7.5	28	49	15	11	42	52.5	3,138	EC
VS1GV215-1B	B	15	11	42	73.5	20	15	54	67.5	3,836	EC
VS1GV220-1B	B	20	15	54	94.5	25	18.7	68	85	4,895	EC
VS1GV225-1B	C	25	18.7	68	119	30	22.4	80	92	5,745	EC
VS1GV230-1B	C	30	22.4	80	140	40	29.8	104	120	7,564	EC
VS1GV240-1B	C	40	29.8	104	182	40	29.8	104	120	8,723	EC
VS1GV250-1B	D	50	37	130	228	60	45	154	177	11,170	EC
VS1GV260-1B	D	60	45	154	270	60	45	154	177	14,303	EC
<b>460 Volts - Three Phase Input</b>											
VS1GV41-1B	AA	1	0.75	2.1	3.68	2	1.5	3.4	4.25	1,915	EC
VS1GV42-1B	AA	2	1.5	3.4	5.95	3	2.2	4.8	6	1,989	EC
VS1GV43-1B	AA	3	2.2	4.8	8.4	5	3.7	7.6	9.5	2,075	EC
VS1GV45-1B	AA	5	3.7	7.6	13.3	7.5	5.6	11	13.75	2,340	EC
VS1GV47-1B	AA	7.5	5.6	11	19.3	10	7.5	14	17.5	2,690	EC
VS1GV410-1B	AA	10	7.4	14	24.5	10	7.5	14	17.5	3,055	EC
VS1GV415-1B	B	15	11	21	36.75	20	15	27	33.75	3,830	EC
VS1GV420-1B	B	20	15	27	47.25	25	18.7	34	42.5	4,469	EC
VS1GV425-1B	B	25	18.7	34	60	30	22	40	50	5,638	EC
VS1GV430-1B	C	30	22.4	40	70	40	29.8	52	60	6,596	EC
VS1GV440-1B	C	40	29.8	52	91	50	37.3	65	75	8,298	EC
VS1GV450-1B	C	50	37.3	65	114	60	44.8	77	89	9,787	EC
VS1GV460-1B	D	60	45	77	135	75	56	96	110	10,532	EC
VS1GV475-1B	D	75	56	96	168	100	75	124	143	12,340	EC
VS1GV4100-1B	D	100	75	124	217	125	93	156	179	14,255	EC
VS1GV4125-1B	D	125	93	156	273	125	93	156	179	15,106	EC
VS1GV4150-1T*	E	150	112	180	315	200	149	240	300	18,150	EC
VS1GV4200-1T*	E	200	149	240	420	250	187	302	378	24,200	EC
VS1GV4250-1T*	E	250	187	302	529	300	224	361	451	30,250	EC

\* VS1GV E-Frame drives include an internal braking transistor. An integral braking resistor is not included.

**NOTE:** For higher HP Ratings, see pages "248-249" for information on the Baldor 18H Drives.

Farm Duty Motors

Definite Purpose Motors

Unit Handling

Brake Motors

200 &amp; 575 Volt Motors

IEC Frame Motors

50 Hertz Motors

Inverter/Vector Motors &amp; Controls

DC Motors and Controls

Soft Start &amp; Dynamic Brakes

## VS1GV Closed Loop Vector NEMA 1 Enclosure

Catalog Number	Size	Heavy Duty				Normal Duty				List Price	Mult. Sym.
		Hp	kW	Cont. Amps	Peak Amps	Hp	kW	Cont. Amps	Peak Amps		
<b>575 Volts - Three Phase Input</b>											
VS1GV51-1B	AA	1	0.75	1.7	3	2	1.5	2.7	3.4	2,106	EC
VS1GV52-1B	AA	2	1.5	2.7	4.7	3	2.2	3.9	4.9	2,188	EC
VS1GV53-1B	AA	3	2.2	3.9	6.8	5	3.7	6.1	7.6	2,282	EC
VS1GV55-1B	AA	5	3.7	6.1	10.7	7.5	5.6	9	11.3	2,574	EC
VS1GV57-1B	AA	7.5	5.6	9	15.8	10	7.5	11	13.8	2,959	EC
VS1GV510-1B	AA	10	7.5	11	19.3	10	7.5	11	13.8	3,361	EC
VS1GV515-1B	B	15	11	17	29.8	20	15	22	27.5	4,213	EC
VS1GV520-1B	B	20	15	22	38.5	25	18.7	27	33.8	4,915	EC
VS1GV525-1B	B	25	18.7	27	47.2	30	22	32	40	6,202	EC
VS1GV530-1B	C	30	22.4	32	56	40	29.8	41	47	7,255	EC
VS1GV540-1B	C	40	29.8	41	72	50	37.3	52	60	9,128	EC
VS1GV550-1B	C	50	37.3	52	91	60	45	62	71	10,766	EC
VS1GV560-1B	D	60	45	62	109	75	56	77	89	11,585	EC
VS1GV575-1B	D	75	56	77	135	100	75	99	114	13,574	EC
VS1GV5100-1B	D	100	75	99	173	125	93	125	144	15,681	EC
VS1GV5125-1B	D	125	93	125	219	150	112	144	166	16,617	EC
VS1GV5150-1T*	E	150	112	144	252	200	149	192	240	19,950	EC
VS1GV5200-1T*	E	200	149	192	336	250	187	242	302	26,600	EC
VS1GV5250-1T*	E	250	187	242	423	300	224	289	361	33,250	EC

\* E-Frame 575V drive available January 2009. VS1GV E-frame drives include an internal braking transistor. An internal braking resistor is not included.

 Farm Duty  
Motors

 Definite Purpose  
Motors

Unit Handling

Brake Motors

 200 & 575 Volt  
Motors

 IEC Frame  
Motors

 50 Hertz  
Motors

 Inverter/Vector  
Motors & Controls

 DC Motors  
and Controls

 Soft Starters &  
Dynamic Brakes

# VS1GV Closed Loop Vector NEMA 4 Washdown Enclosure

Catalog Number	Size	Heavy Duty				Normal Duty				List Price	Mult. Sym.
		Hp	kW	Cont. Amps	Peak Amps	Hp	kW	Cont. Amps	Peak Amps		
<b>115/230 Volts - Single Phase Input</b>											
VS1GV61-4B	AA	1	0.75	4.2	7.4	2	1.5	6.8	8.5	1,655	EC
VS1GV62-4B	AA	2	1.5	6.8	11.9	3	2.2	9.6	12	1,884	EC
VS1GV63-4B	AA	3	2.2	9.6	16.8	3	2.2	9.6	12	2,195	EC
<b>230 Volts - Three Phase Input</b>											
VS1GV21-4B	AA	1	0.75	4.2	7.35	2	1.5	6.8	8.5	1,504	EC
VS1GV22-4B	AA	2	1.5	6.8	11.9	3	2.2	9.6	12	1,713	EC
VS1GV23-4B	AA	3	2.2	9.6	16.8	5	3.7	15.2	19	1,996	EC
VS1GV25-4B	AA	5	3.7	15.2	26.6	7.5	5.6	22	27.5	2,309	EC
VS1GV27-4B	AA	7.5	5.6	22	38.5	7.5	5.6	22	27.5	2,869	EC
<b>460 Volts - Three Phase Input</b>											
VS1GV41-4B	AA	1	0.75	2.1	3.68	2	1.5	3.4	4.25	1,995	EC
VS1GV42-4B	AA	2	1.5	3.4	5.95	3	2.2	4.8	6	2,115	EC
VS1GV43-4B	AA	3	2.2	4.8	8.4	5	3.7	7.6	9.5	2,393	EC
VS1GV45-4B	AA	5	3.7	7.6	13.3	7.5	5.6	11	13.75	2,738	EC
VS1GV47-4B	AA	7.5	5.6	11	19.3	10	7.5	14	17.5	3,319	EC
VS1GV410-4B	AA	10	7.4	14	24.5	10	7.4	14	17.5	3,511	EC
<b>575 Volts - Three Phase Input</b>											
VS1GV51-4B	AA	1	0.75	1.7	3	2	1.5	2.7	3.4	2,194	EC
VS1GV52-4B	AA	2	1.5	2.7	4.7	3	2.2	3.9	4.9	2,326	EC
VS1GV53-4B	AA	3	2.2	3.9	6.8	5	3.7	6.1	7.6	2,632	EC
VS1GV55-4B	AA	5	3.7	6.1	10.7	7.5	5.6	9	11.3	3,012	EC
VS1GV57-4B	AA	7.5	5.6	9	15.8	10	7.5	11	13.8	3,651	EC
VS1GV510-4B	AA	10	7.5	11	19.3	10	7.5	11	13.8	3,862	EC

## Mounting Dimensions

Frame	Dimensions inches (mm)					Ap'x. Shpg. Wgt.
	Outside			Mounting		
	Height Inches (mm)	Width Inches (mm)	Depth Inches (mm)	Height Inches (mm)	Width Inches (mm)	lbs. (kg)
AA	12.27 (312)	7.97 (202)	8.21 (209)	11.75 (298)	7.38 (187)	20 (9.1)
B	18.00 (457)	9.10 (231)	9.77 (248)	17.25 (438)	7.00 (178)	30 (13.6)
C	22.00 (559)	9.10 (231)	9.77 (248)	21.25 (540)	7.00 (178)	60 (27.2)
D	28.00 (711)	11.50 (292)	13.00 (330)	27.25 (692)	9.50 (241)	120 (54.4)
E	42.81 (1087)	18.75 (476)	16.00 (406)	39.75 (1010)	15.75 (400)	250 (113.4)

**Note:** E-Frame dimensions include a 3.0" H x 17.5" W x 5.2" D conduit box which is removable for panel mount (chassis) applications.

Farm Duty Motors

Definite Purpose Motors

Unit Handling

Brake Motors

200 &amp; 575 Volt Motors

IEC Frame Motors

50 Hertz Motors

Inverter/Vector Motors &amp; Controls

DC Motors and Controls

Soft Start &amp; Dynamic Brakes



## VS1SP / VS1GV Keypad Extension Cable

For the convenience of our customers, we offer a connector plug/cable assembly. This assembly provides the connection from the keypad to the control for remote keypad operation.

Catalog Number	Cable Extension Length	List Price	Mult. Sym.	Apx. Shpg. Wgt.
<b>CBLHH015KP</b>	5 feet (1.5 meter)	44	EC	1
<b>CBLHH030KP</b>	10 feet (3.0 meter)	64	EC	1
<b>CBLHH046KP</b>	15 feet (4.6 meter)	83	EC	1
<b>CBLHH061KP</b>	20 feet (6.1 meter)	102	EC	2
<b>CBLHH091KP</b>	30 feet (9.1 meter)	120	EC	3
<b>CBLHH152KP</b>	50 feet (15.2 meter)	171	EC	3
<b>CBLHH229KP</b>	75 feet (22.9 meter)	247	EC	4
<b>CBLHH305KP</b>	100 feet (30.5 meter)	323	EC	5
<b>CBLHH457KP</b>	150 feet (45.7 meter)	452	EC	6
<b>CBLHH610KP</b>	200 feet (61.0 meter)	578	EC	7

## VS1SP / VS1GV Dynamic Braking Resistor Assemblies

Dynamic Braking Resistor Assemblies include braking resistors completely assembled and mounted into a NEMA 1 enclosure. Select the braking resistor that has correct ohm value for the control and adequate continuous watts capacity to meet load requirements.

Input Volts	Hp	Total Ohms	Continuous Rated Watts						
			600	1200	2400	4800	6400	9600	14200
230	1 - 7.5	20	<b>RGA620</b>	<b>RGA1220</b>	<b>RGA2420</b>				
	10 - 20	6		<b>RGA1206</b>	<b>RGA2406</b>	<b>RGA4806</b>			
	25 - 40	4		<b>RGA1204</b>	<b>RGA2404</b>	<b>RGA4804</b>			
	50 - 60	2				<b>RGA4802</b>	<b>RGA6402</b>	<b>RGA9602</b>	<b>RGA14202</b>
460	1 - 3	120	<b>RGA6120</b>	<b>RGA12120</b>	<b>RGA24120</b>				
	5 - 10	60	<b>RGA660</b>	<b>RGA1260</b>	<b>RGA2460</b>	<b>RGA4860</b>			
	15 - 25	20	<b>RGA620</b>	<b>RGA1220</b>	<b>RGA2420</b>	<b>RGA4820</b>			
	30 - 50	10		<b>RGA1210</b>	<b>RGA2410</b>	<b>RGA4810</b>			
	60 - 125	4		<b>RGA1204</b>	<b>RGA2404</b>	<b>RGA4804</b>	<b>RGA6404</b>	<b>RGA9604</b>	<b>RGA14204</b>
575	1 - 3	120	<b>RGA6120</b>	<b>RGA12120</b>	<b>RGA24120</b>				
	5 - 10	60	<b>RGA660</b>	<b>RGA1260</b>	<b>RGA2460</b>	<b>RGA4860</b>			
	15 - 25	30	<b>RGA630</b>	<b>RGA1230</b>	<b>RGA2430</b>	<b>RGA4830</b>			
	30	24		<b>RGA1224</b>	<b>RGA2424</b>	<b>RGA4824</b>			
	40 - 125	14				<b>RGA4814</b>	<b>RGA6414</b>		
		<b>List Price</b>	572	849	1,299	2,107	5,312	8,525	11,731
		<b>Mult. Sym.</b>	EC	EC	EC	EC	EC	EC	EC

Farm Duty Motors

Definite Purpose Motors

Unit Handling

Brake Motors

200 &amp; 575 Volt Motors

IEC Frame Motors

50 Hertz Motors

Inverter/Vector Motors &amp; Controls

DC Motors and Controls

Soft Starters &amp; Dynamic Brakes

## VS1SP / VS1GV Expansion Boards

Baldor offers a wide variety of plug-in expansion boards for the VS1SP/VS1GV/VS1SD and H2 Series of drives. Expansion boards allow the drive to be interfaced with various inputs and outputs. Each control has the capability to utilize up to two expansion boards.

Catalog Number	Description	List Price	Mult. Sym.														
<b>EXBHH001A01</b>	Ethernet Server Expansion Board Provides easy connection to all drive parameters for setup and review using any PC based Web Browser via an Ethernet connection. Download parameter values, operating conditions, and fault log data for review and archive. Uses standard RJ-45 female terminal for Ethernet connection.	163	EC														
<b>EXBHH003A01</b>	Isolated Input Expansion Board Contains 9 isolated inputs jumper configurable for 90-130 VAC. All inputs must be the same voltage – one side of all inputs is common. This board replaces all the opto inputs on the main control board. Uses screw terminals for connection.	211	EC														
<b>EXBHH005A01</b>	High Resolution Analog Input/Output Board Provides two additional analog inputs and two additional analog outputs with up to 16 bits resolution. Acceptable DC inputs: $\pm 10V$ , 0-10V, or $\pm 5V$ with 300 microvolt resolution. Current inputs: 0-20 mA or 4-20 mA with 0.6 microamp resolution.  <table border="0" style="margin-left: auto; margin-right: auto;"> <tr> <td style="text-align: center;"><b>Input</b></td> <td style="text-align: center;"><b>Resolution</b></td> </tr> <tr> <td style="text-align: center;"><math>\pm 10V</math></td> <td style="text-align: center;">16 bit</td> </tr> <tr> <td style="text-align: center;">0 - 10 V</td> <td style="text-align: center;">15 bit</td> </tr> <tr> <td style="text-align: center;"><math>\pm 5V</math></td> <td style="text-align: center;">15 bit</td> </tr> <tr> <td style="text-align: center;">0 - 5 V</td> <td style="text-align: center;">14 bit</td> </tr> <tr> <td style="text-align: center;">0 - 20 mA</td> <td style="text-align: center;">15 bit</td> </tr> <tr> <td style="text-align: center;">4 - 20 mA</td> <td style="text-align: center;">15 bit</td> </tr> </table> All inputs can be inverted through software.	<b>Input</b>	<b>Resolution</b>	$\pm 10V$	16 bit	0 - 10 V	15 bit	$\pm 5V$	15 bit	0 - 5 V	14 bit	0 - 20 mA	15 bit	4 - 20 mA	15 bit	330	EC
<b>Input</b>	<b>Resolution</b>																
$\pm 10V$	16 bit																
0 - 10 V	15 bit																
$\pm 5V$	15 bit																
0 - 5 V	14 bit																
0 - 20 mA	15 bit																
4 - 20 mA	15 bit																
<b>EXBHH007A01</b>	Master Pulse Reference/Isolated Pulse Follower Board 1. Accepts a 5V or 12V quadrature pulse train input or pulse and direction input to use as a master reference. 2. Re-transmits the input pulse train at 5Vdc for different ratios from 1:20 up to 65535:1 (Scaled output). 3. Can be used as a auxiliary encoder input to the control. 4. A CANOpen port utilizing a RJ-45 female connector for adding an additional I/O breakout box or CAN HMI terminal.	539	EC														
<b>EXBHH013A02</b>	DeviceNet / EtherNet / IP / Modbus - TCP Expansion Board Allows VS1GV, VS1SP, VS1SD and H2 Drives to be connected to a DeviceNet Communications Network or an EtherNet/IP Communications Network or a Modbus - TCP Communications Network. Uses plug-in terminals for connection to a DeviceNet Communications Network or an RJ-45 to connect to an EtherNet/IP or a Modbus - TCP Communications Network.	558	EC														
<b>EXBHH014A01</b>	PROFIBUS-DP Expansion Board Allows VS1GV, VS1SP and H2 Drives to be connected to a PROFIBUS Communications Network. Uses plug-in terminals for connection.	670	EC														
<b>EXBHH015A01</b>	BACnet Expansion Board Allows VS1GV, VS1SP and H2 Drives to be connected to a BACnet Communications Network. Uses 9-pin D-shell for connection.	575	EC														
<b>EXBHH016A01</b>	LonWorks Communications Expansion Board Allows VS1GV, VS1SP and H2 Drives to be connected to a LonWorks Communications Bus. Uses plug-in terminals for connection.	548	EC														
<b>EXBHH017A01</b>	Metasys N2 Communications Expansion Board allows VS1GV, VS1SP and H2 drives to be connected to a NA communications network. Uses plug-in terminals for connection.	575	EC														

Farm Duty Motors

Definite Purpose Motors

Unit Handling

Brake Motors

200 &amp; 575 Volt Motors

IEC Frame Motors







50 Hertz Motors

Inverter/Vector Motors &amp; Controls

DC Motors and Controls

Soft Start &amp; Dynamic Brakes

**Baldor and Reliance AC Drives Selection Chart**

Series 5	15H	18H	22H Regenerative	SP500	GV3000
					
<b>Main Attributes</b>					
Analog Microdrive; V/Hz ; Open Chassis or NEMA 4X enclosures, compact and low cost	Basic V/Hz Control, 150-800 Hp NEMA 1 enclosure	Closed loop vector, 150-800 Hp NEMA 1 enclosure, zero speed torque, auto motor tuning, digital speed and torque control	22H is a version of the 18H with a Regenerative front end	Basic V/Hz control ideal for harsh environments from 1/4 to 20 Hp, uses only 29 parameters	High performance, Flexible control Enclosure selections, V/Hz, sensorless vector and flux vector control, PID
<b>Hp Range</b>					
1/2 to 5	150 to 800	150 to 800	10 to 50	1 to 20	1 to 400
<b>Voltage Range</b>					
115V/230V 1-Phase 230V/460V 3-Phase	460V 3-Phase	460V 3-Phase	230V/460V 3-Phase	115V/230V 1-Phase 230V/460V/575V 3-Phase	230V/460V 3-Phase
<b>Enclosure Selection</b>					
Chassis or NEMA 4X/12	NEMA 1 (150-800 Hp)	NEMA 1 (150-800 Hp)	IP20	NEMA 1, NEMA 4X/12	Chassis, NEMA 1, NEMA 4X/12
<b>Control Mode</b>					
V/Hz	V/Hz	Closed Loop Vector Only	Closed Loop Vector	V/Hz	Closed Loop Vector, Sensorless Vector or V/Hz
<b>Speed Range (Typ.)</b>					
20:1	20:1	1000:1	1000:1 Closed Loop Vector	10:1	1000:1
<b>Communications Options</b>					
None	Option Cards for RS232/RS485, DeviceNet, Profibus and Modbus	Option Cards for RS232/RS485, DeviceNet, Profibus and Modbus	Option Cards for RS232/RS485, DeviceNet, Profibus and Modbus	None	Optional DeviceNet, PROFIBUS-DP, ControlNet, Modbus-RTU and AutoMax
<b>Operator Interface</b>					
Analog Controls	Local or Remote (NEMA 4) Mounted 32 character alpha-numeric LCD display	Local or Remote (NEMA 4) Mounted 32 character alpha-numeric LCD display	Local or Remote (NEMA 4) Mounted 32 character alpha-numeric LCD display	Local LED Display and Keypad	Local LED Display or Remote Mounted Text Based LCD Display and Keypad
<b>Differentiating Feature</b>					
Easy-to-Use Basic Startup Menu; Runs Right Out of the Box; Optional I/O Expansion Cards	Integrated TEFC motor and drive package, NEMA 1 and NEMA 4X designs, reduced total install cost	Easy-to-Use Basic Startup Menu; Runs Right Out of the Box; Optional I/O Expansion and Speed Feedback Cards	Regenerative Applications	Low Cost; Basic Startup Menu; Runs Right Out of the Box, NEMA 4X/12 Enclosures	Performance Vector Control, Easy-to-Use Basic Startup Menu; Runs Right Out of the Box; Optional I/O Expansion Cards
<b>Matched Performance® Motors</b>					
XE, M & CP Standard-E®, EM & ECP Super-E®	NEMA 1 CSM and JMMSM NEMA 4X CWDSM	VS-Master, RPM-AC, ZDM VectorDuty®, ZDNM VectorDuty, ZDWNM VectorDuty	VS-Master, RPM-AC, ZDM VectorDuty, ZDNM VectorDuty, ZDWNM VectorDuty	E-Z KLEEN® Plus, Ultra KLEEN®, XE, WDM Standard-E, EWDM Super-E	VS-Master, RPM-AC, ZDM VectorDuty®, ZDNM VectorDuty, ZDWNM VectorDuty

Farm Duty Motors

Definite Purpose Motors

Unit Handling

Brake Motors

200 & 575 Volt Motors

IEC Frame Motors

50 Hertz Motors

Inverter/Vector Motors & Controls

DC Motors and Controls

Soft Starters & Dynamic Brakes



### Series 5 Micro Inverters

**1/2 thru 2 Hp**  
**1/2 thru 2 Hp**  
**2 thru 3 Hp**  
**1 thru 5 Hp**

**97-132 VAC**  
**195-265 VAC**  
**195-265 VAC**  
**323-529 VAC**

**1 Phase - 50/60 Hz**  
**1 Phase - 50/60 Hz**  
**3 Phase - 50/60 Hz**  
**3 Phase - 50/60 Hz**



**Applications:** Variable torque, constant torque or constant horsepower applications. New installations, replacements and original equipment manufacturers (OEM).

**Features:** NEMA 4X or open chassis mount standard. Output frequency 0.25 to 120 Hz with peak overload capacity of 150%. Separate accel/decel rates and controlled reversing.

#### Design Specifications

- PWM output
- Accel/decel rate adjustment
- Controlled reversing
- Adjustable current limit
- I<sup>2</sup>t motor overload protection
- Adjustable slip compensation
- Min/max output frequency adjustment
- Selectable auto/manual restart

#### Operator Interface-Enclosed Units

- Start/Stop command
- NEMA 4X enclosure
- Power on/off
- Rotary speed control
- Fwd/Rev optional
- Auto/Manual optional

#### Environmental and Operating Conditions

- Input voltage:
  - 1 phase 115 VAC ±15%,
  - 1 phase 230 VAC ±15%
  - 3 phase 230V ±15%
  - 3 phase 460 ± 15%
- Input frequency
  - 50 or 60Hz ±10%
- Service factor - 1.0
- Duty - continuous
- Humidity - 90% max RH non-condensing
- Altitude - 3300 feet max without derate
- Chassis mount or NEMA 4X enclosure as standard

#### Protective Features

- Selectable automatic restart at momentary power loss
- Power indicator
- Status indicator
- Adjustable time base overload
- Electronic in rush current limiting

<b>Output Ratings</b>	Overload Capacity	150% for 120 seconds		
	Voltage - 3 Phase	0-230 VAC (RMS), 0-460 V AC (RMS)		
<b>Control Spec</b>	Control Method	Sinewave carrier input, PWM output		
	PWM Frequency	Rated 8.0 kHz		
	V/Hz Ratio	Factory set for optimum output		
	Torque Boost	Factory set for 60 Hz motors. Adjustable 6-30% for 50 Hz motors	Adjustable 0-30% max	
	Current Limit	Adjustable 63 to 188% of rated output	0-200%	
	Frequency Setting	0-5 VDC, 0-10 VDC with external resistor network, non-isolated input		
	Accel/Decel	Separate accel/decel rates, 0.3-20 sec for 60 Hz motors	0.3-20 Sec	
	Combined accel/decel for 50 Hz motors			
<b>Protective Functions</b>	Inverter Trip	Over voltage, over current, under voltage, motor overload, output short circuit		
	Status Indicators	Tricolor LED indicator for status and green LED indicator for power on		
	Short Circuit	Output phase to phase		
<b>Ambient Conditions</b>	Temperature	0-45°C	0-50°C	
	Cooling	Convection 1/2 - 2 Hp; Forced Air 3-5 Hp	Convection	
	Enclosure	Open chassis	NEMA 4X (IP65)	

Farm Duty Motors

Definite Purpose Motors

Unit Handling

Brake Motors

200 &amp; 575 Volt Motors

IEC Frame Motors

50 Hertz Motors

Inverter/Vector Motors &amp; Controls

DC Motors and Controls

Soft Start &amp; Dynamic Brakes

**Series 5 Micro Inverters continued...**

Hp/kW	Input Voltage	Output Current		Catalog Number	List Price	Mult. Sym.	Ap'x. Shpg. Wgt.	Dimensions in/(mm)				
		Cont.	120 Sec.					Outside			Mounting	
								H	W	D	H	W
<b>Open Chassis Mount – Single Phase Input</b>												
0.5/0.37	115/230	2.4	3.6	<b>ID56F50-CO</b>	352	E9	4	4.3	3.9	2.75	3.8	2.5
1/0.75	115/230	4	6	<b>ID5601-CO</b>	426	E9	5	4.3	3.9	5	3.87	3.7
2/1.5	115/230	5.5	8.25	<b>ID5602-CO</b>	554	E9	6	4.67	5.58	5.7	3.87	2.5
<b>Open Chassis Mount – Three Phase Input</b>												
2/1.5	230	6.7	10.1	<b>ID5202-CO</b>	672	E9	5	8.55	4.68	4.5	6.5	3.9
3/2.25	230	8.8	13.2	<b>ID5203-CO</b>	708	E9	5	8.55	4.68	4.5	6.5	3.9
1/0.75	460	2.5	3.75	<b>ID5401-CO</b>	732	E9	5	8.55	4.68	4.5	6.5	3.9
2/1.5	460	4	6	<b>ID5402-CO</b>	751	E9	5	8.55	4.68	4.5	6.5	3.9
3/2.25	460	4.5	6.75	<b>ID5403-CO</b>	772	E9	5	8.55	4.68	4.5	6.5	3.9
5/3.7	460	7.6	11.4	<b>ID5405-CO</b>	986	E9	5	8.55	4.68	4.5	6.5	3.9
<b>NEMA 1 Enclosed - Single Phase Input</b>												
1/0.75	115/230	4	6	<b>ID5601-EO</b>	514	E9	6	7.13	6.25	2.75		
<b>NEMA 4X Enclosed – Single Phase Input</b>												
1/0.75	115/230	3.6	5.4	<b>ID5601-WO</b>	680	E9	6	9.53	5.51	5.86	8.85	–
1/0.75	115/230	3.6	5.4	<b>ID5601-BO</b>	638	E9	6	9.53	5.51	5.86	8.85	–
2/1.5	115/230	5.5/6.7	8.3/10.0	<b>ID5602-WO</b>	960	E9	6	9.8	7.55	7.25	9.25	1
2/1.5	115/230	5.5/6.7	8.3/10.0	<b>ID5602-BO</b>	906	E9	8	9.8	7.55	7.25	9.25	1
<b>NEMA 4X Enclosed – Three Phase Input</b>												
3/2.25	230	9	13.5	<b>ID5203-WO</b>	1,088	E9	6	9.8	7.55	7.25	9.25	1
3/2.25	230	9	13.5	<b>ID5203-BO</b>	1,034	E9	6	9.8	7.55	7.25	9.25	1
3/2.25 (1)	460	4.6	6.9	<b>ID5403-WO</b>	1,152	E9	6	9.8	7.55	7.25	9.25	1
3/2.25 (1)	460	4.6	6.9	<b>ID5403-BO</b>	1,098	E9	6	9.8	7.55	7.25	9.25	1
5/3.7	460	8.3	12.45	<b>ID5405-WO</b>	1,226	E9	6	9.8	7.55	7.25	9.25	1
5/3.7	460	8.3	12.45	<b>ID5405-BO</b>	1,173	E9	6	9.8	7.55	7.25	9.25	1

(1) Jumper configurable for 1 HP and 2 HP

**NOTE:** -WO is white in color -BO is black in color; -EO is NEMA 1.

Catalog Number	Description	List Price	Mult. Sym.	Ap'x. Shpg. Wgt.
<b>ID5RGA-1</b>	Dynamic braking kit for open chassis 115/230V 1/2 Hp and 1 Hp rated controls	217	E9	3
<b>ID5SI-1</b>	Signal isolator for open chassis units Provides isolation for up to 24 VDC and 4-20mA command signals and run relay output. Select relay as N.O. or N.C. contacts rated at 125 VAC @ 0.5A	189	E9	4
<b>ID5SI-2</b>	Signal isolator for NEMA 4X enclosed units Provides isolation for up to 24 VDC and 4-20mA command signals and run relay output. Select relay as N.O. or N.C. contacts rated at 125 VAC @ 0.5A	214	E9	1
<b>ID5AMS-1</b>	Auto/Manual selection switch for NEMA 4X enclosed units Allows selection of remote or on-board speed commands	52	E9	1
<b>ID5FRS-1</b>	Forward/Stop/Reverse selection switch for NEMA 4X enclosed units Allows selection of forward or reverse motor direction commands	29	E9	1
<b>ID5FRS-2</b>	Forward/Stop/Reverse selection switch for NEMA 1 enclosed units. Allows selection of forward or reverse motor direction commands.	29	E9	1

### Series 15H Inverter

**150 thru 450 Hp**

**460 VAC**

**3 Phase - 50/60 Hz**



**Applications:** Constant torque, variable torque or constant horsepower applications. New installations, replacements and original equipment manufacturers (OEM).

**Features:** NEMA 1 enclosure as standard. Output frequency 0.25 to 400 Hz with peak overload capacity of 170-200%. Separate accel/decel rates and controlled reversing. Built in two and three input PID process control loop.

#### Design Specifications

- Process follower 0-5 VDC, 0-10 VDC, 4-20 mA
- Free run or ramp stop
- Selectable preset speeds
- Jog speed
- Dynamic braking (optional on size C2 and larger)
- DC injection braking
- 2 analog meter outputs
- 2 opto isolated outputs
- 2 relay outputs
- Through wall & panel mount size C2, E and F.

#### Operator Keypad

- Forward/Reverse command
- Motor RUN and JOG
- Local/Remote key
- Stop command
- Parameter setting and display
- 32 character display
- Remote mount to 100 feet (60m) from control
- NEMA 4X enclosure when mounted on panel

#### Environmental and Operating Conditions

- Input voltage
  - 3 phase 200-240 VAC ±10%
  - 3 phase 378-480 VAC ±10%
  - 3 phase 573-600 VAC ±10%
- Input frequency - 50 or 60Hz ±5%
- Service factor - 1.0
- Duty - continuous
- Humidity - 90% max RH non-condensing
- Altitude - 3300 feet (1000m) max without derate

#### Protective Features

- Selectable automatic restart at momentary power loss
- DC bus charge indicator
- Fault indicator
- Adjustable time based overload
- Cause of last 31 trips retained in memory
- Digital display for fault conditions
- Linear heat sink thermal sensor
- Isolated control circuitry

<b>Output Ratings</b>	Overload Capacity	150% for 60 seconds; 170-200% for 3 seconds for constant torque 115% for 60 seconds for variable torque
	Frequency	0.25-400 Hz
	Voltage	0-Maximum input voltage (RMS)
<b>Input Ratings</b>	Frequency	50 or 60 Hz ± 5%
	Voltage	180 - 264 VAC; 340 - 528 VAC, 515 - 660 VAC
	Phase	Three phase (or single phase with derate)
	Impedance	1% minimum for size C2, F, G and G2 (3% minimum required for size A, B, D and E)
<b>Control Spec</b>	Control Method	Sinewave carrier input, PWM output
	PWM Frequency	Adjustable 1-5 kHz standard, 1-15 kHz quiet
	V/Hz Ratio	Linear to squared reduced, base frequency, output voltage, minimum frequency limit, maximum frequency limit
	Torque Boost	0-15% of input voltage; automatic with manual override
	Brake Torque	20% standard on -E and -W; and -EO requires external assembly
	Skip Frequency	Three zones 0-Max frequency
	Frequency Setting	0-5 VDC, 0-10 VDC, 4-20mA, digital via optional RS232/485
	Accel/Decel	Separate accel/decel rates, 0-3600 sec to maximum frequency
<b>Protective Functions</b>	Inverter Trip	Over voltage, over current, under voltage, external trip, heatsink thermal, motor overload
	Stall Prevention	Over voltage suppression, overcurrent suppression
	External Output	OPTO isolated outputs, relay outputs, and LED indicator for trip
	Short Circuit	Phase to phase, phase to ground
<b>LCD Display</b>	Running	Output frequency, set frequency, output current(%), voltage, RPM, custom units
	Setting	Parameter values for setup and review
	Trip	Separate message for each trip, cause of last 31 trips retained in memory
<b>Ambient Conditions</b>	Temperature	-10 to + 40°C For UL Listing
	Cooling	Forced air included when required

**OPTIONS:** See pages 253-254 for optional Expansion Boards including RS-232, RS-485 isolated input etc. See page 252 for optional Dynamic Braking Assemblies.

**Series 15H Inverter Drive Output Ratings**

Catalog Number	Size	Heavy Duty			Normal Duty			List Price	Mult. Sym.
		Hp	Continuous Amps	Peak Amps	Hp	Continuous Amps	Peak Amps		
<b>460 Volts - Three Phase</b>									
ID15H4150-EO	F	150	190	380	200	240	276	26,144	E1
ID15H4200-EO	F	200	250	500	250	310	360	32,767	E1
ID15H4250-EO	F	250	310	620	300	370	430	39,651	E1
ID15H4300-EO	G2	300	370	630	350	420	490	50,126	E1
ID15H4350-EO	G2	350	420	720	400	480	560	58,910	E1
ID15H4400-EO	G2	400	480	820	450	540	620	65,533	E1
ID15H4450-EO	G	450	540	855	500	590	680	76,502	E1

**OPTIONS:** See pages 253-254 for optional Expansion Boards. See page 252 for optional Dynamic Braking Assemblies. See notes on inside back flap and pages 5-6.

**Dimensions in/(mm)**

Size	Outside			Mounting		Ap'x Shpg. Wgt.
	Height	Width	Depth	Height	Width	
F	45/(1143)	27/(686)	13/(330)	44/(1118)	22.75/(578)	370
G	93/(2362)	31.5/(800)	23.6/(600)	Floor Mount		700
G2	65.98/(1676)	31.6/(803)	23.49/(597)	Floor Mount		600

Farm Duty Motors

Definite Purpose Motors

Unit Handling

Brake Motors

200 &amp; 575 Volt Motors

IEC Frame Motors

50 Hertz Motors

Inverter/Vector Motors &amp; Controls

DC Motors and Controls

Soft Starters &amp; Dynamic Brakes

### Series 18H Vector Drive

**150 thru 450 Hp**

**460 VAC**

**3 Phase - 50/60 Hz**



**Applications:** Constant torque or constant horsepower applications. New installations, replacements and original equipment manufacturers. (OEM).

**Features:** NEMA 1 enclosure as standard. Output frequency 0-500Hz with peak overload capability of 170-200%. Automatic tuning to motor and full rated torque down to zero speed. Digital speed or torque control. Built in two and three input PID process control loop.

#### Design Specifications

- Motor shaft orient to marker
- Process follow  $\pm 5$ VDC 0-5 VDC,  $\pm 10$ VDC 0-10 VDC ,4-20mA, digital via keypad or optional RS232/485
- Linear or S-curve deceleration
- 15 preset speeds
- 2 assignable analog outputs
- 2 assignable opto outputs
- 2 assignable relay outputs
- 2 assignable analog inputs
- Through wall and panel mount size C2, E and F

#### Operator Keypad

- Forward/Reverse command
- Motor RUN and JOG
- Local/Remote key
- Stop command
- 32 character display
- Remote mount to 100 feet (60m) from control
- NEMA 4X enclosure when mounted on panel

#### Environmental and Operating Conditions

- Input voltage
  - 3 phase 200-240 VAC  $\pm 10\%$
  - 3 phase 378-480 VAC  $\pm 10\%$
  - 3 phase 573-600 VAC  $\pm 10\%$
- Input frequency
  - 50 or 60Hz  $\pm 5\%$
- Service factor - 1.0
- Duty - continuous
- Humidity - 90% max RH non-condensing
- Altitude - 3300 feet (1000m) max without derate

#### Protective Features

- Adjustable current limit
- Isolated control circuitry
- Digital display for fault conditions
- Selectable automatic restart at momentary power loss
- DC bus charge indicator
- Cause of last 31 trips retained in memory

<b>Output Ratings</b>	Overload Capacity	150% for 60 seconds, 170-200% for 3 seconds for constant torque 115% for 60 seconds for variable torque
	Frequency	0-500 Hz
	Voltage	0-maximum input voltage (RMS)
<b>Input Ratings</b>	Frequency	50 or 60 Hz $\pm 5\%$
	Voltage	180 - 264 VAC; 340 - 528 VAC; 515 - 660 VAC
	Phase	Three phase (or single phase with derate)
	Impedance	1% minimum for size C2, F, G, and G2 (3% minimum required for Size A, B, D and E)
<b>Control Spec</b>	Control Method	Microprocessor controlled PWM output
	PWM Frequency	Adjustable 1-5kHz STD, 1-16 kHz quiet
	Speed Setting	$\pm 5$ VDC, 0-5 VDC $\pm 10$ VDC, 0-10 VDC, 4-20 mA; digital via keypad, RS232/485
	Accel/Decel	0-3600 sec.
	Motor Matching	Automatic tuning to motor with manual override
<b>Motor Feedback</b>	Feedback Type	Incremental encoder coupled to motor shaft
	Pulses/Rev	60 -15,000 selectable, 1024 standard
	Voltage Output	2 channel in quadrature, 5 VDC, differential
	Marker Pulse	Required for position orientation
	Power Input	5 VDC, 300 mA maximum
	Max. Frequency	1 MHz
	Positioning	Buffered encoder pulse train output for position loop controller
<b>Protective Functions</b>	Vector Trip	Missing control power, over current, over voltage, under voltage, motor over speed Over temperature (motor or control), output shorted or grounded, motor overload
	External Output	LED indicator for trip conditions, 4 assignable logic outputs, 2 assignable analog outputs 0-5 VDC
	Short Circuit	Phase to phase, phase to ground
<b>LCD Display</b>	Running	Output frequency, motor RPM; output current, voltage (selectable)
	Setting	Parameter values for setup and review
	Trip	Separate message for each trip, last 31 trips retained in memory
<b>Ambient Conditions</b>	Temperature	-10 to 40°C for UL listing
	Cooling	Forced air included when required

**OPTIONS:** See pages 253-254 for optional Expansion Boards including RS-232, RS-485. See page 249 for enclosure Dimensions See page 252 for optional Dynamic Braking Assemblies.

**Series 18H Vector Drive Output Ratings**

Catalog Number	Size	Heavy Duty			Normal Duty			List Price	Mult. Sym.
		Hp	Continuous Amps	Peak Amps	Hp	Continuous Amps	Peak Amps		
<b>460 Volts - Three Phase</b>									
ZD18H4150-E0	F	150	190	380	200	240	276	30,134	E1
ZD18H4200-E0	F	200	250	500	250	310	360	36,253	E1
ZD18H4250-E0	F	250	310	620	300	370	430	44,503	E1
ZD18H4300-E0	G2	300	370	630	350	420	490	56,354	E1
ZD18H4350-E0	G2	350	420	720	400	480	560	65,533	E1
ZD18H4400-E0	G2	400	480	820	450	540	620	72,504	E1
ZD18H4450-E0	G	450	540	855	500	590	680	85,517	E1

**NOTE:** -MO suffix indicates a protected chassis enclosure (not NEMA 1). See notes on inside back flap and pages 5-6.

**OPTIONS:** See pages 253-254 for optional Expansion Boards. See page 252 for optional Dynamic Braking Assemblies.

**Dimensions in/(mm)**

Size	Outside			Mounting		Ap'x Shpg.Wgt.
	Height	Width	Depth	Height	Width	
F	45/(1143)	27/(686)	13/(330)	44/(1118)	22.75/(578)	370
G	93/(2362)	31.5/(800)	23.6/(600)	Floor Mount		700
G2	65.98/(1676)	31.6/(803)	23.49/(597)	Floor Mount		600

Farm Duty Motors

Definite Purpose Motors

Unit Handling

Brake Motors

200 &amp; 575 Volt Motors

IEC Frame Motors

50 Hertz Motors

Inverter/Vector Motors &amp; Controls

DC Motors and Controls

Soft Starters &amp; Dynamic Brakes



## BALDOR • RELIANCE

### Series 22H Line Regenerative Vector Drive

**10 thru 50 Hp**  
**10 thru 50 Hp**

**230 VAC**  
**460 VAC**

**3 Phase - 50/60 Hz**  
**3 Phase - 50/60 Hz**



**Applications:** Variable torque, constant torque or constant horsepower applications. New installations, replacements and original equipment manufacturers. (OEM).

**Features:** NEMA 1 enclosure as standard. Output frequency 0-500Hz with peak overload capability of 170-200%. Automatic tuning to motor and full rated torque down to zero speed. Digital speed or torque control. Built in two and three input PID process control loop.

#### Design Specifications

- Process follower  
±5VDC 0-5 VDC,  
±10VDC, 0-10 VDC ,  
4-20mA, digital via keypad  
or optional RS232/485
- Linear or S-curve deceleration
- Controlled reversing
- 15 preset speeds
- 2 assignable analog outputs
- 2 assignable logic outputs
- 2 assignable relay outputs
- 2 assignable analog inputs
- Motor shaft orient to marker

#### Operator Keypad

- Forward/Reverse command
- Motor RUN and JOG
- Local/Remote key
- Stop command
- 32 character display
- Remote mount to 100 feet (60m)  
from control
- NEMA 4X enclosure when  
mounted on panel

#### Environmental and Operating Conditions

- Input voltage  
Three phase 200-240 VAC ±10%  
Three phase 378-480 VAC ±10%
- Input frequency  
50 or 60Hz ±5%
- Service factor - 1.0
- Duty - continuous
- Humidity - 90% max RH non-condensing
- Altitude - 3300 feet (1000m)  
max without derate

#### Protective Features

- Adjustable current limit
- Isolated control circuitry
- Digital display for fault conditions
- Selectable automatic restart at  
momentary power loss
- DC bus charge indicator
- Cause of last 31 trips retained  
in memory

<b>Output Ratings</b>	Overload Capacity	150% for 60 seconds, 170-200% for 3 seconds for constant torque 115% for 60 seconds for variable torque
	Frequency	0-500 Hz
	Voltage	0-Maximum input voltage (RMS)
<b>Input Ratings</b>	Frequency	50 or 60 Hz ±5%
	Voltage	180 - 264 VAC; 340 - 528 VAC
	Phase	Three phase
	Impedance	3.0% minimum required
<b>Control Spec</b>	Control Method	Microprocessor controlled PWM output
	PWM Frequency	Adjustable 1-5kHz STD, 1-16 kHz quiet
	Speed Setting	±5 VDC, 0-5 VDC ±10 VDC, 0-10 VDC, 4-20 mA; digital via keypad, RS232/485
	Accel/Decel	0-3600 sec
	Motor Matching	Automatic tuning to motor with manual override
<b>Motor Feedback</b>	Feedback Type	Incremental encoder coupled to motor shaft
	Pulses/Rev	60-15,000 selectable, 1024 standard
	Voltage Output	2 channel in quadrature, 5 VDC, differential
	Marker Pulse	Required for position orientation
	Power Input	5 VDC, 300 mA maximum
	Max. Frequency	1 MHz
	Positioning	Optional buffered encoder pulse train output for position loop controller
<b>Protective Functions</b>	Vector Trip	Missing control power, over current, over voltage, under voltage, motor over speed Over temperature (motor or control), output shorted or grounded, motor overload
	External Output	LED indicator for trip conditions, 4 assignable logic outputs, 2 assignable analog outputs 0-5 VDC
	Short Circuit	Phase to phase, phase to ground
<b>LCD Display</b>	Running	Output frequency, motor RPM; output current, voltage (selectable)
	Setting	Parameter values for setup and review
	Trip	Separate message for each trip, last 31 trips retained in memory
<b>Ambient Conditions</b>	Temperature	-10 to +40°C for UL listing
	Cooling	Forced air included when required

**OPTIONS:** See pages 253-254 for optional Expansion Boards including RS-232, RS-485.



### Series 22H Line Regenerative Vector Drive Output Ratings

Catalog Number	Size	Heavy Duty			Normal Duty			List Price	Mult. Sym.
		Hp	Continuous	Peak	Hp	Continuous	Peak		
<b>230 Volts - Three Phase</b>									
ZD22H210-EL	C+	10	28	56	10	28	32	10,019	E1
ZD22H215-EL	C+	15	42	72	15	42	48	11,133	E1
ZD22H220-EL	C+	20	55	110	20	55	62	13,034	E1
ZD22H225-EL	C+	25	68	116	25	68	78	15,226	E1
ZD22H230-EL	D+	30	80	136	30	80	92	16,557	E1
ZD22H240-EL	D+	40	105	200	40	105	120	20,617	E1
ZD22H250-EL	D+	50	130	225	50	130	150	25,308	E1
<b>460 Volts - Three Phase</b>									
ZD22H410-EL	C+	10	15	30	10	15	17	10,431	E1
ZD22H415-EL	C+	15	21	36	15	21	24	11,345	E1
ZD22H420-EL	C+	20	27	50	20	27	31	13,212	E1
ZD22H425-EL	C+	25	34	58	25	34	39	14,888	E1
ZD22H430-EL	D+	30	40	70	30	40	46	16,806	E1
ZD22H440-EL	D+	40	55	100	40	55	63	20,730	E1
ZD22H450-EL	D+	50	65	115	50	65	75	25,015	E1

**NOTE:** See notes on inside back flap and pages 5-6.  
**OPTIONS:** See pages 253-254 for optional Expansion Boards.

### Dimensions in/(mm)

Size	Outside			Mounting		Ap'x Shpg. Wgt.
	Height	Width	Depth	Height	Width	
C+	30/(762)	11.5/(292)	12.2/(310)	29.25/(743)	10.5/(267)	160
D+	36/(914)	14.5/(368)	12.2/(310)	35.25/(895)	13.50/(343)	280

Farm Duty Motors

Definite Purpose Motors

Unit Handling Motors

Brake Motors

200 & 575 Volt Motors

IEC Frame Motors

50 Hertz Motors

Inverter/Vector Motors & Controls

DC Motors and Controls

Soft Starters & Dynamic Brakes

### Series 15H and 18H Dynamic Braking Transistor Assemblies

Dynamic Braking Transistor Assemblies include braking transistor completely assembled and mounted into a NEMA 1 enclosure, to be used with External Dynamic Braking Resistor Assemblies (RGA). Select RGA assembly with matching minimum OHMS and continuous regenerative power (Watts) capacity to meet load requirements. For use with -EO and -MO Controls.

Hp	Maximum Braking Torque In % Of Motor Rating									
	208-230 Vac			380-480 Vac				550-600 Vac		
20	150%	150%	150%	150%	150%	150%	150%	150%	150%	150%
25	125%	150%	150%	150%	150%	150%	150%	150%	150%	150%
30	100%	150%	150%	120%	150%	150%	150%	150%	150%	150%
40	75%	115%	150%	90%	150%	150%	150%	127%	150%	150%
50	62%	92%	150%	72%	150%	150%	150%	100%	150%	150%
60	-	-	-	60%	150%	150%	150%	85%	145%	150%
75	-	-	-	48%	96%	150%	150%	68%	116%	150%
100	-	-	-	36%	72%	150%	150%	50%	87%	150%
150V	-	-	-	28%	56%	150%	150%	40%	70%	150%
150	-	-	-	-	48%	126%	150%	34%	58%	150%
200	-	-	-	-	36%	95%	150%	25%	44%	150%
250	-	-	-	-	29%	76%	150%	-	35%	122%
300	-	-	-	-	-	62%	125%	-	29%	100%
350	-	-	-	-	-	54%	108%	-	-	87%
400	-	-	-	-	-	47%	94%	-	-	76%
450	-	-	-	-	-	41%	84%	-	-	68%
<b>Cat. No.</b>	<b>RTA2-6</b>	<b>RTA2-4</b>	<b>RTA2-2</b>	<b>RTA4-20</b>	<b>RTA4-10</b>	<b>RTA4-4</b>	<b>RTA4-2</b>	<b>RTA5-24</b>	<b>RTA5-14</b>	<b>RTA5-4</b>
<b>List Price</b>	1,615	1,900	2,690	1,441	2,043	2,690	3,795	1,600	2,248	2,959
<b>Mult. Sym.</b>	E8	E8	E8	E8	E8	E8	E8	E8	E8	E8

### Series 15H and 18H Dynamic Braking Resistor Assemblies

Dynamic Braking Resistor Assemblies include braking resistors completely assembled and mounted into a NEMA 1 enclosure. For 20 Hp and above (-EO, -MO Controls), select the braking resistor from the table with the matching ohms for the RTA selected and adequate continuous watts capacity to meet load requirements. For 1 to 15 Hp (-E,-ER Controls) select the braking resistor that has correct ohm value for the control and adequate continuous watts capacity to meet load requirements.

Input Voltage	Hp	Total Ohms	Continuous Rated Watts							
			600	1200	2400	4800	6400	9600	14200	
230	1-2	30	RGA630	RGA1230	RGA2430					
	3-5	20	RGA620	RGA12200	RGA2420	RGA4820				
	7.5-10	10		RGA1210	RGA2410	RGA4810				
	15-20	6		RGA1206	RGA2406	RGA4806				
	25-40	4		RGA1204	RGA2404	RGA4804				
460	50	2				RGA4802	RGA6402	RGA9602	RGA14202	
	1-3	120	RGA6120	RGA12120	RGA24120					
	5-10	60	RGA660	RGA1260	RGA2460	RGA4860				
	15-25	20	RGA620	RGA1220	RGA2420	RGA4820				
	30-60	10		RGA1210	RGA2410	RGA4810				
	75-250	4		RGA1204	RGA2404	RGA4804	RGA6404	RGA9604	RGA14204	
	300-450	2				RGA4802	RGA6402	RGA9602	RGA14202	
	575	3-5	120	RGA6120	RGA12120	RGA24120				
		7.5-10	60	RGA660	RGA1260	RGA2460	RGA4860			
		15	30	RGA630	RGA1230	RGA2430	RGA4830			
20-30		24		RGA1224	RGA2424	RGA4824				
40-150		14				RGA4814	RGA6414			
		<b>List Price</b>	572	849	1,299	2,107	5,312	8,525	11,731	
		<b>Mult. Sym.</b>	EC	EC	EC	EC	EC	EC	EC	

**Series 15H, 18H, 19H, 20H and 22H  
Expansion and Accessory Boards**

Baldor offers a wide variety of plug-in expansion boards for Series 15H Inverters, Series 18H or 22H Vector Drives and Series 19H or 20H DC Controls. Expansion boards allow the drive to be interfaced with various inputs and outputs. Each control has the capability to utilize up to two expansion boards. The following list shows boards available. The matrix shows which boards may be used together in the same control.

Board Number	Description	List Price	Mult. Sym.
<b>ACB003A01</b>	Isolated Input/2 Relay Output Accessory Board Contains 9 isolated inputs for 90-130VAC. All inputs must be the same voltage. Also has 2 relay outputs, Form "C": N.O. and N. C. Accessory Board mounts in Expansion Board slot but uses wiring harness to connect to motor control card. Requires control board with onboard 24VDC power supply.	356	E8
<b>EXB003A04</b>	Isolated Input Board Contains 9 isolated inputs jumper configurable for 10-30 VAC or 10-30 VDC. All must be the same voltage - one side of all inputs is common. This board replaces the opto inputs on the main control board. Uses screw terminals for connection. (Use with Series 15H, 18H and 22H only)	281	E8
<b>EXB003A05</b>	Isolated Input Board Contains 9 isolated inputs jumper configurable for 90-130 VAC. All must be the same voltage - one side of all inputs is common. This board replaces the opto inputs on the main control board. Uses screw terminals for connection. (Use with Series 15H, 18H and 22H only).	281	E8
<b>EXB004A01</b>	Four Output Relays / 3-15 PSI Pneumatic Interface Converts 3-15 PSI air pressure to 0-10 VDC or 10-0 VDC (inverted). Also has four relays, 2 of which are jumper selectable as N.O. or N.C., rated for 230VAC, 5 amps max and two form "C". Uses screw terminals for connections. Air hose connects to 1/8" O.D. nipple on board.	517	E8
<b>EXB005A01</b>	Master Pulse Reference / Isolated Pulse Follower—Bi-directional jumper selectable for: 1. Master quadrature pulse reference. Provides 5 volt quadrature A and B channel outputs with complements at a pulse rate proportional to accel-decel limited speed commands. Phase of B channel is reversed for reverse direction. 2. Master speed step-direction pulse reference. Provides 5 volt pulse and direction outputs with complements at a pulse rate proportional to accel-decel limited speed command. 3. Quadrature pulse follower. Provides opto isolated inputs for 5-15 volt quadrature A and B channel input speed commands and retransmits this input as 5 volt channel A and B outputs with complements at a pulse rate proportional to accel-decel limited speed command. Motor direction reverses with input channel phase reversal. 4. Speed step and direction pulse follower. Provides opto isolated inputs for 5-15 volt input pulse and direction. Commands and retransmits these inputs as 5 volt pulse and direction outputs with complements at a pulse rate proportional to accel-decel limited speed command.	440	E8
<b>EXB006A01</b>	DC Tachometer Interface Allows for DC tach input voltage for motor or process feedback Jumper selectable for input voltage with software trim for 10% tolerance. 250 VDC total maximum input voltage or can be used for one analog input with 16 bits resolution for ±10V and 15 bits resolution for 0-10 VDC input. Uses screw terminals for connection.	541	E8

Farm Duty Motors

Definite Purpose Motors

Unit Handling

Brake Motors

200 & 575 Volt Motors

IEC Frame Motors

50 Hertz Motors

Inverter/Vector Motors & Controls

DC Motors and Controls

Soft Starters & Dynamic Brakes

**Series 15H, 18H, 19H, 20H and 22H  
Expansion and Accessory Boards continued...**

Board No.	Description	List Price	Mult. Sym.												
<b>EXB007A02</b>	<p>High Resolution Analog Board Allows one input with up to 16 bits resolution. DC inputs: ± 10V, 0-10V, ± 5V, 0-5V, with 300 microvolt resolution. Current inputs: 4-20 mA, with 0.6 microamps resolution.</p> <table border="0"> <tr> <td style="text-align: center;"><b>Input</b></td> <td style="text-align: center;"><b>Resolution</b></td> </tr> <tr> <td style="text-align: center;">± 10 V</td> <td style="text-align: center;">16 bit</td> </tr> <tr> <td style="text-align: center;">0 - 10 V</td> <td style="text-align: center;">15 bit</td> </tr> <tr> <td style="text-align: center;">± 5 V</td> <td style="text-align: center;">15 bit</td> </tr> <tr> <td style="text-align: center;">0 - 5 V</td> <td style="text-align: center;">14 bit</td> </tr> <tr> <td style="text-align: center;">4 - 20 mA</td> <td style="text-align: center;">15 bit</td> </tr> </table> <p>Both the 0-10 V and 4-20 mA inputs may be inverted to 10-0 V and 20-4 mA. Two outputs, each with ± 10 VDC, 0-10 VDC or 4-20 mA with inverting capability. This replaces the analog outputs on the main control board. Uses screw terminals for connection.</p>	<b>Input</b>	<b>Resolution</b>	± 10 V	16 bit	0 - 10 V	15 bit	± 5 V	15 bit	0 - 5 V	14 bit	4 - 20 mA	15 bit	715	E8
<b>Input</b>	<b>Resolution</b>														
± 10 V	16 bit														
0 - 10 V	15 bit														
± 5 V	15 bit														
0 - 5 V	14 bit														
4 - 20 mA	15 bit														
<b>EXB008A01</b>	<p>Isolated Encoder Feedback Board This board is recommended for use with motors that do not have an electrically isolated encoder (Baldor Vector drive motors have isolated encoders). Contains a 0-15 VDC (300mA) isolated power supply to allow use with 5, 12 and 15 VDC encoders by jumper selection. Isolates A, B and index channels with complements. The retransmitted encoder signals may be configured in two ways with a board level jumper as follows:</p> <ol style="list-style-type: none"> <li>For 2 channel quadrature output (A and B with complements), set jumper to disable the marker channel (index pulse) as an input.</li> <li>To use the marker channel (index pulse) as an input, jumper must be set to disable channel B (and compliment) output. Retransmitted signals will always be 5 VDC differential. Uses screw terminals for connection.</li> </ol>	755	E8												
<b>EXB010A01</b>	<p>Two analog output/three relay output board. Provides two isolated analog outputs each with 0-5VDC, 0-10VDC, or 4-20mA capability. Also includes three relay outputs jumper selectable for N.O. or N.C. rated for 230VAC, 5 amps maximum. Uses screw terminals for connection.</p>	440	E8												
<b>EXB012A01</b>	<p>RS232 and RS485 High Speed Serial Communications Allows Series 15H and 18H controls to be connected to RS232 half and full duplex and isolated RS485 half duplex, 230.4K Baud maximum. Uses DB-9 connector for RS232 and screw terminals for RS485.</p>	281	E8												
<b>EXB013A01</b>	<p>DeviceNet Expansion Board Allows Series 15H and 18H controls to be connected to DeviceNet Communications Bus. Uses plug in terminals for connection</p>	739	E8												
<b>EXB014A01</b>	<p>Profibus DP Expansion Board Allows Series 15H and 18H controls to be connected to Profibus Communications Bus. Uses plug in terminals for connection</p>	890	E8												
<b>EXB015A01</b>	<p>Modbus plus Expansion Board Allows Series 15H and 18H controls to be connected to Modbus Communications Bus. Uses plug in terminals for connection</p>	1,064	E8												

**Notes on Mounting**

Expansion Boards plug into a slot inside the control. When using one expansion board either a Group 1 or 2 board will connect by a connector on the side of the board. When two expansion boards are used one must be from Group 1 and one from Group 2.

Accessory Boards can mount into either a Group 1 or Group 2 slot. When using an Accessory Board only one other Expansion Board may be used.

**Group 1 Boards**

- Isolated Input Board
- EXB003A04
- EXB003A05
- Master Pulse Reference/  
Isolated Pulse Follower
- EXB005A01
- DC Tachometer Interface
- EXB006A01
- Isolated Encoder Feedback
- EXB008A01

**Group 2 Boards**

- Four Output Relays /  
3-15 PSI Pneumatic Interface
- EXB004A01
- High Resolution Analog Board
- EXB007A02
- Two analog output/three relay outputs
- EXB010A01
- RS232/RS485 High Speed Serial  
Communication
- EXB012A01
- DeviceNet Communication
- EXB013A01
- Profibus DP Communication
- EXB014A01
- Modbus Plus Communication
- EXB015A01

**SP500 General Purpose AC Drive**



**1 Hp**  
**1 thru 5 Hp**  
**1 thru 20 Hp**  
**1 thru 10 Hp**

**115 VAC**  
**208-230 VAC**  
**380-460 VAC**  
**575 VAC**

**1 Phase - 50/60 Hz**  
**3 Phase - 50/60 Hz**  
**3 Phase - 50/60 Hz**  
**3 Phase - 50/60 Hz**

**Applications:** Variable torque, constant torque or constant horsepower applications. New installations, replacements and original equipment manufactures (OEM).

**Features:** Volts per Hertz Control with peak overload capacity of 150% for one minute. Flexible mounting options NEMA 1 or NEMA 4X/12. Integral keypad, operator interface and local speed control. Basic set of less than 30 programming parameters. Power ratings from 1 Hp to 5 Hp 230Vac, 20 Hp 460 Vac and 10 Hp 575 Vac.

<b>Performance Features</b>	Control Modes	V/Hz Control
	Operator Interface Module	Integral Drive Mounted
	Display Lines	4-Character LED display
	Programmable Preset Speeds	Three
	Analog Output	One (0-10 VDC)
	Auto Restart	Yes - Up to 10 attempts
	Frequency Avoidance	One Band
	Fault History	Last Three Faults
<b>Drive Specifications</b>	Digital Inputs	Dedicated control terminals for start/stop, forward/reverse and fault/reset
	Analog Input	One: 0-10VDC or 4-20 mA
	Digital Output	One Form C Relay
	Maximum Load	20 Hp @ 460 VAC
	Overload Capacity	Drive Output 150% for One Minute
	Input Voltage Ranges	115VAC, 208-230VAC, 380-460VAC and 575VAC
	Input Voltage Tolerance	10% / -10%
	Rated Input Frequency	50-60 Hz (±5%)
	Carrier Frequency	4, 6 or 8 kHz
	Operating Temperature	-10° to 40°C
	Volts/Hz	Linear or Custom V/Hz
	Frequency Control Range	0 to 240 Hz
	Accel/Decel Range	0.5 to 90 Seconds
	Keypad Speed Control	Yes
<b>Protective Features</b>	Function Loss	Function loss input open
	High Bus Voltage	DC bus voltage above trip level
	Low Bus Voltage	DC bus voltage below trip level
	Over Current, short circuit or ground fault	Drive output exceeds 200% rating
	Thermostat/Drive Overload	Excess drive temperature
	Electronic Thermal Overload	Exceed Drive rating of 150% for One Minute
<b>Agency Certifications</b>		UL, cUL, CE
<b>Service Conditions</b>	Altitude	1,000 m (3,300 ft.) Maximum
	Ambient Temperature	0°C (32°F) to 40°C (104°F)
	Storage Temperature	-40°C +65°C (-40° to +149°F)
	Relative Humidity	5% to 95%, non-condensing
	Intermittent Overload	150% overload capacity for up to 1 minute; 200% instantaneous overload

Farm Duty Motors

Definite Purpose Motors

Unit Handling

Brake Motors

200 & 575 Volt Motors

IEC Frame Motors

50 Hertz Motors

Inverter/Vector Motors & Controls

DC Motors and Controls

Soft Starters & Dynamic Brakes



**SP500 General Purpose AC Drive**

Catalog Number	Frame	Hp	Output Current	List Price	Mult. Sym.	V*S Alternate (a)
<b>115V, 50/60 Hz, 1-Phase Input (115 V, 3-Phase Output) – NEMA 1 (Green Enclosure)</b>						
1SU11001	A	1/4-1	6.8	714	VS1AC	VS1MX11-4
<b>208-230V, 50/60 Hz, 3-Phase Input (230 V, 3-Phase Output) – NEMA 1 (Green Enclosure)</b>						
1SU21001	A	1/4-1	5	659	VS1AC	VS1MD21+ VS1MD-NM1A
1SU21002	A	2	7.5	812	VS1AC	VS1MD22+ VS1MD-NM1B
1SU21003	C	3	10.6	1,184	VS1AC	VS1MD23+ VS1MD-NM1C
1SU21005	C	5	14.2	1,353	VS1AC	VS1MD25+ VS1MD-NM1C
<b>208-230V, 50/60 Hz, 3-Phase Input (230 V, 3-Phase Output) – NEMA 4X/12 (White Enclosure)</b>						
1SU24001	A	1/4-1	4.5	780	VS1AC	VS1MX81*2D
1SU24002	C	2	7.5	1,098	VS1AC	VS1MX82-2D
1SU24003	C	3	10.6	1,362	VS1AC	VS1MX83-2TD
1SU24005	C	5	14.2	1,488	VS1AC	VS1SP25-4B
<b>380-480V, 50/60 Hz, 3-Phase Input (460 V, 3-Phase Output) – NEMA 1 (Green Enclosure)</b>						
1SU41001	B	1/4-1	2.1	940	VS1AC	VS1MD41+ VS1MD-NM1A
1SU41002	B	2	3.4	1,093	VS1AC	VS1MD42+ VS1MD-NM1B
1SU41003	B	3	5.3	1,252	VS1AC	VS1MD43+ VS1MD-NM1C
1SU41005	B	5	8.2	1,582	VS1AC	VS1MD45+ VS1MD-NM1C
1SU41007	C	7-1/2	11.1	1,923	VS1AC	VS1MD47+ VS1MD-NM1D
1SU41010	C	10	14.2	2,389	VS1AC	VS1MD410+ VS1MD-NM1D
1SU41015	D	15	21	3,366	VS1AC	VS1PF415-1
1SU41020	D	20	27	4,012	VS1AC	VS1PF420-9+VS1PFNM1C
<b>380-480V, 50/60 Hz, 3-Phase Input (460 V, 3-Phase Output) – NEMA 4X/12 (White Enclosure)</b>						
1SU44001	B	1/4-1	2.1	1,114	VS1AC	VS1MX41-4
1SU44002	B	2	3.4	1,294	VS1AC	VS1MX42-4
1SU44003	B	3	5.3	1,483	VS1AC	VS1MX43-4T
1SU44005	B	5	8.2	1,874	VS1AC	VS1MX45-4T
1SU44007	C	7-1/2	11.1	2,277	VS1AC	VS1SP47-4B
1SU44010	C	10	14.2	2,439	VS1AC	VS1SP410-4B
1SU42015	D	15	21	3,911	VS1AC	—
1SU42020	D	20	27	4,659	VS1AC	—
<b>575V, 50/60 Hz, 3-Phase Input (575 V, 3-Phase Output) – NEMA 1 (Green Enclosure)</b>						
1SU51001	B	1/4-1	1.6	1,035	VS1AC	VS1SP51-1B
1SU51002	B	2	2.7	1,201	VS1AC	VS1SP52-1B
1SU51003	B	3	4.3	1,379	VS1AC	VS1SP53-1B
1SU51005	B	5	6.2	1,741	VS1AC	VS1SP55-1B
1SU51007	C	7-1/2	9	2,116	VS1AC	VS1SP57-1B
1SU51010	C	10	12	2,630	VS1AC	VS1SP510-1B
<b>575V, 50/60 Hz, 3-Phase Input (575 V, 3-Phase Output) – NEMA 4X/12 (White Enclosure)</b>						
1SU54001	B	1/4-1	1.6	1,226	VS1AC	VS1SP51-4B
1SU54002	B	2	2.7	1,424	VS1AC	VS1SP52-4B
1SU54003	B	3	4.3	1,631	VS1AC	VS1SP53-4B
1SU54005	B	5	6.2	2,061	VS1AC	VS1SP55-4B
1SU54007	C	7-1/2	9	2,506	VS1AC	VS1SP57-4B
1SU54010	C	10	12	3,114	VS1AC	VS1SP51-4B

(a) Review dimension and application/I/O functionality for complete compatibility. Contact your local district office for assistance.  
 1SU21001 and 1SU24001 can be used on single-phase power but must be derated by one half.  
 1SU21002 can be used on single-phase power without being derated.  
 15 and 20 Hp (460V) SP500 are NEMA 12 only – not NEMA 4X/12

**Dimensions**

Frame	Height Inches (mm)	Width Inches (mm)	Depth Inches (mm)	Weight lb (kg)
A	12 (305)	5.7 (146)	4.8 (122)	7 (3.2)
B	11.1 (282)	8.8 (224)	6.25 (159)	12 (5.4)
C	13.3 (338)	11 (280)	6.25 (159)	18 (98.20)
D	18.3 (465)	11.4 (290)	9.4 (239)	25 (11.3)

Farm Duty Motors

Definite Purpose Motors

Unit Handling

Brake Motors

200 & 575 Volt Motors

IEC Frame Motors

50 Hertz Motors

Inverter/Vector Motors & Controls

DC Motors and Controls

Soft Start & Dynamic Brakes

## Mains Filter

Mains Filter (AC line filter for CE requirements) is housed in a compact NEMA 1 (IP21) enclosure designed for mounting between the wall or back panel and the SP500. Pre-drilled and tapped holes are provided on the filter enclosure for mounting the SP500. Incoming AC power must be routed into the top of the filter. Outgoing AC power is then routed from the bottom of the filter to the bottom of the SP500. Mounting hardware and flying leads from the Mains Filter are provided.

Mains Filter 2DF2282 is rated for 1-phase or 3-phase, 50/60 Hz, 250 VAC max. Mains filters 2DF4283, 2DF4284 and 2DF4285 are rated for 3-phase, 50/60 Hz, 500 VAC max.

Hp	SP500 Model Number	Mains Filter Model Number	List Price	Mult. Sym.
1	1SU21001	2DF2282	1,043	VS1AC
2	1SU21002	2DF2282	1,043	VS1AC
3	1SU21003	2DF4283	735	VS1AC
5	1SU21005	2DF4283	735	VS1AC
7-1/2	1SU41007	2DF4284	827	VS1AC
10	1SU41010	2DF4284	827	VS1AC
15 (1)	1SU41015	2DF4285	2,160	VS1AC
20 (1)	1SU41020	2DF4285	2,160	VS1AC

(1) For 15 Hp and 20 Hp SP500, a cover kit and a filter kit are both required to conform to CE requirements.

## Low Energy Snubber Braking Kit

Low Energy Snubber Braking Kit provides rapid deceleration of the drive motor by providing 150% intermittent braking of the motor. The kit dissipates the power regenerated by the motor during deceleration through resistors.

The braking resistors are sized to provide a maximum of three stops per minute, taking 4 seconds for a complete stop when the motor is connected to a load that has six times the NEMA motor inertia. The kits are provided in a separate enclosure for field wiring.

SP500 Voltage	SP500 Hp Rating	Kit Model Number	Resistor Wattage	Style	List Price	Mult Symb.
230	1/4-5	2DB2005	200	A	1,018	VS1AC
460	1/4-10	2DB4010	800	B	1,235	VS1AC
460	15-20	2DB4020	1600	C	1,808	VS1AC

## BALDOR • RELIANCE®

### GV3000 Vector Drive



**1 thru 100 Hp**  
**1 thru 400 Hp**

**230 VAC**  
**460 VAC**

**3 Phase - 50/60 Hz**  
**3 Phase - 50/60 Hz**

**Applications:** Constant torque or constant horsepower applications. New installations, replacements and original equipment manufacturers (OEM).

**Features:** NEMA 1, NEMA 4, NEMA 12, IP20, and IP00 enclosures. Output frequency 0 to 200 Hz with peak overload capacity of 150%. Digital speed or torque control. Built-in PID process control loop. Automatic tuning to motor and full rated torque down to zero speed.

<b>Input Ratings</b>	Voltage	230	460
	Voltage Range	180-264	340-528
	Phase	3 Phase	
	Frequency	50/60 Hz +5%	
	Impedance	Line reactor needed for supplies with greater than 30,000 amp symmetrical fault capacity	
<b>Output Ratings</b>	Horsepower	1-100 Hp @ 230VAC, 3PH; 1-400 Hp @ 460VAC, 3 PH;	
	Overload Capacity	Heavy Duty (Constant Torque) = 150% for 60 seconds, 200% for 3 seconds Normal Duty (Variable Torque) = 110% for 60 seconds and 150% overload for 3 seconds.	
	Frequency	0-200 Hz	
	Voltage	0 to maximum input voltage (RMS)	
<b>Protective Features</b>	Trip	Microprocessor checksum, over current, over voltage, under voltage, over temperature (motor or control), output shorted or grounded, motor overload, encoder loss.	
	External Output	LED trip condition indicators codes, fault relay output	
	Short Circuit	Phase to phase, phase to ground	
	Electronic Motor Overload	Meets UL508C (I <sup>2</sup> T)	
<b>Environmental Conditions</b>	Temperature	0° to 40°C, NEMA 1; 0° to 50°C, Power Module IP00	
	Cooling	Forced air	
	Enclosure	NEMA 1, NEMA 4X, NEMA 12, IP20 and IP00	
	Altitude	Sea level to 3300 Feet (1000 Meters)	
	Humidity	NEMA1: 5% to 95% RH Non-Condensing; NEMA 4X To 100% RH Condensing	
	Storage Temperature	-40 to +65°C	
<b>Keypad Display</b>	Display	4 digit bright 7-segment LED readout; 14 discrete LED indicators	
	Keys	9 key membrane with tactile feedback	
	Functions	Output status monitoring, Digital speed control, Parameter setting and display, Diagnostic and Fault log display, Motor run and jog, Auto/Manual toggle	
	LED Indicators	Forward run command, Reverse run command, Jog active, Auto/Manual Indication, Monitor display indication	
	Remote Mount	Optional remote mountable LCD keypad, full text display, multi-language support, quick start menu, NEMA 12 rating, 5 meter distance capable with included cable	
	Trip	Last 10 trips retained in memory with elapsed time stamp	
	<b>Control Specifications</b>	Control Method	Microprocessor controlled PWM output, selectable encoderless vector, sensorless vector or V/Hz inverter
PWM Frequency		Selectable 2KHz, 4KHz (Standard), or 8KHz	
Frequency Setting		±10 VDC, 0-10 VDC, 4-20 mA or 0-20 mA; digital (keypad); Serial Communications (via option); RS-232 via CS3000 Software	
Accel/Decel		0-999.9 seconds	
Motor Matching		Automatic tuning to motor with manual override	
PC Setup Software		CS3000 Software available using the RS-232 port for commissioning, parameter viewer, scope capture and cloning	
Maximum Output Frequency		200 Hz	
<b>Motor Feedback</b>	Feedback Type	Incremental encoder coupled to motor shaft	
	Pulses/Rev	512 PPR, 1024 PPR (Standard), 2048 PPR, 4096 PPR, SE (No encoder - sensorless vector operation)	
	Input Type	2 channel in quadrature, 15 VDC, differential	
	Power Supply for Encoder	15 VDC, 250 mA maximum	
	Max. Frequency	125 KHz	
<b>Analog Inputs</b>	One Differential	±10VDC, 0-10VDC, 4-20 mA or 0-20 mA, 10-bit + sign	
	Input Impedance	50 kOhms (Volt mode); 250 Ohms (Current mode)	
<b>Analog Outputs</b>	Analog Outputs	1 Assignable	
	Full Scale Range	0-10V or 4-20mA	
	Source Current	1 mA maximum (volt mode), 20mA (using external supply or +15V encoder supply)	
	Resolution	9 bits	
<b>Digital Inputs</b>	Quantity	3 Assignable, 5 dedicated inputs (Function Loss, Run/Jog, Reset, Stop, Start)	
	Rated Voltage	24VDC Nominal Utilizing Internal 24VDC Isolated Power Supply	
	Update Rate	75mSec ~ 126mSec (depending on input and whether V/Hz or Vector mode)	
<b>Relay Outputs</b>	Rated Voltage	250VAC/30VDC maximum	
	Maximum Current	5A maximum resistive / 2 amps maximum inductive	
	Output Conditions	7 Programmable Conditions	



### GV3000 Closed Loop Vector NEMA 1 Enclosure

Catalog Number	Heavy Duty				Normal Duty				List Price	Mult. Sym.	V*S Alternate (a)
	Hp	kW	Cont. Amps	Peak Amps	Hp	kW	Cont. Amps	Peak Amps			
<b>230 Volts - Three Phase Input</b>											
1V2160	1	0.75	5.1	7.7	1	0.75	5.1	5.6	1,546	VS1AC	VS1GV21-1B
2V2160	2	1.5	8.5	12.8	2	1.5	8.5	9.4	1,615	VS1AC	VS1GV22-1B
3V2160	3	2.2	12.3	18.5	3	2.2	12.3	13.5	1,678	VS1AC	VS1GV23-1B
5V2160	5	3.7	21	31.5	5	3.7	21	23.1	1,735	VS1AC	VS1GV25-1B
7V2160	7.5	5.6	26.9	40.4	7.5	5.6	26.9	29.6	2,113	VS1AC	VS1GV27-1B
10V2160	10	7.5	35	52.5	10	7.5	35	38.5	2,250	VS1AC	VS1GV210-1B
15V2160	15	11	53.3	80	15	11	53.3	58.6	3,721	VS1AC	VS1GV215-1B
20V2160	20	15	69.6	104.4	20	15	69.6	76.6	4,609	VS1AC	VS1GV220-1B
<b>460 Volts - Three Phase Input</b>											
1V4160	1	0.75	2.1	3.2	1	0.75	2.1	2.3	1,399	VS1AC	VS1GV41-1B
2V4160	2	1.5	3.4	5.1	2	1.5	3.4	3.7	1,512	VS1AC	VS1GV42-1B
3V4160	3	2.2	5.3	8	3	2.2	5.3	5.8	1,718	VS1AC	VS1GV43-1B
5V4160	5	3.7	8.2	12.3	5	3.7	8.2	9	2,176	VS1AC	VS1GV45-1B
7V4160	7.5	5.6	11.1	16.7	7.5	5.6	11.1	12.2	2,496	VS1AC	VS1GV47-1B
10V4160	10	7.5	14.2	21.3	10	7.5	14.2	15.6	3,097	VS1AC	VS1GV410-1B
15V4160	15	11.2	21	31.5	15	11.2	21	23.1	3,933	VS1AC	VS1GV415-1B
20V4160	20	15	27	40.5	20	15	27	29.7	4,677	VS1AC	VS1GV420-1B
25G4160	20	15	27	40.5	25	18.7	30.4	33.4	5,078	VS1AC	VS1GV425-1B
25V4160	25	18.7	34.5	51.8	25	18.7	34.5	38	6,738	VS1AC	VS1GV430-1B
30V4160	30	22.4	40	60	30	22.4	40	44	8,340	VS1AC	VS1GV440-1B
40V4160	40	30	54	81	40	30	54	59.4	9,388	VS1AC	VS1GV450-1B
50V4160	50	37.3	67	100.5	50	37.3	67	73.7	9,989	VS1AC	VS1GV50-1B
50R4160	40	30	56	84	60	45	72	79.2	15,513	VS1AC	VS1GV50-1B
60G4160	50	37.3	67	100.5	60	45	78	85.8	12,250	VS1AC	VS1GV60-1B
75R4160	60	45	71	106.5	75	56	93	102.3	15,513	VS1AC	VS1GV60-1B
75T4160 (b)	60	45	71	106.5	75	56	93	102.3	19,004	VS1AC	VS1GV100-1B
125R4160	100	75	122	183	125	93	168	184.8	29,021	VS1AC	VS1GV200-1B
200V4160	200	150	240	360	200	150	240	264	30,186	VS1AC	VS1GV425-1B
250V4160	250	187	302	453	250	187	302	332.2	33,372	VS1AC	—
300V4160	300	224	361	541.5	300	224	361	397.1	39,602	VS1AC	—
350V4160	350	261	414	621	350	261	414	455.4	41,646	VS1AC	—
400V4160	400	298	477	525	400	298	477	525	45,418	VS1AC	—
<b>460 Volts - Three Phase Input with Disconnect Switch</b>											
200V4160DS	200	150	240	360	200	150	240	264	32,940	VS1AC	—
250V4160DS	250	187	302	453	250	187	302	332.2	35,910	VS1AC	—
300V4160DS	300	224	361	541.5	300	224	361	397.1	42,653	VS1AC	—
350V4160DS	350	261	414	621	350	261	414	455.4	44,697	VS1AC	—
400V4160DS	400	298	477	525	400	298	477	525	48,469	VS1AC	—

(a) Review dimension and application/IO functionality for complete compatibility. Contact your local district office for assistance.

(b) Model 75T4160 includes a built-in RFI filter to meet CE component standards.

Farm Duty Motors

Definite Purpose Motors

Unit Handling

Brake Motors

200 & 575 Volt Motors

IEC Frame Motors

50 Hertz Motors

Inverter/Vector Motors & Controls

DC Motors and Controls

Soft Starters & Dynamic Brakes

**GV3000 Closed Loop Vector NEMA 4 Enclosure**

Catalog Number	Heavy Duty				Normal Duty				List Price	Mult. Sym.	V*S Alternate (a)
	Hp	kW	Cont. Amps	Peak Amps	Hp	kW	Cont. Amps	Peak Amps			
<b>230 Volts - Three Phase Input</b>											
1V2460	1	0.75	5.1	7.7	1	0.75	5.1	5.6	1,581	VS1AC	VS1GV21-4B
2V2460	2	1.5	8.5	12.8	2	1.5	8.5	9.4	1,646	VS1AC	VS1GV22-4B
3V2460	3	2.2	12.3	18.5	3	2.2	12.3	13.5	1,713	VS1AC	VS1GV23-4B
5V2460	5	3.7	21	31.5	5	3.7	21	23.1	1,786	VS1AC	VS1GV25-4B
<b>460 Volts - Three Phase Input</b>											
1V4460	1	0.75	2.1	3.2	1	0.75	2.1	2.3	1,415	VS1AC	VS1GV41-4B
2V4460	2	1.5	3.4	5.1	2	1.5	3.4	3.7	1,528	VS1AC	VS1GV42-4B
3V4460	3	2.2	5.3	8	3	2.2	5.3	5.8	1,736	VS1AC	VS1GV43-4B
5V4460	5	3.7	8.2	12.3	5	3.7	8.2	9	2,193	VS1AC	VS1GV45-4B

**GV3000 Closed Loop Vector NEMA 12 Enclosure**

Catalog Number	Heavy Duty				Normal Duty				List Price	Mult. Sym.	V*S Alternate (a)
	Hp	kW	Cont. Amps	Peak Amps	Hp	kW	Cont. Amps	Peak Amps			
<b>230 Volts - Three Phase Input</b>											
7V2260	7.5	5.6	26.9	40.4	7.5	5.6	26.9	29.6	2,231	VS1AC	VS1GV27-4B
10V2260	10	7.5	35	52.5	10	7.5	35	38.5	2,365	VS1AC	—
15V2260	15	11	53.3	80	15	11	53.3	58.6	3,738	VS1AC	—
20V2260	20	15	69.6	104.4	20	15	69.6	76.6	4,611	VS1AC	—
<b>460 Volts - Three Phase Input</b>											
7V4260	7.5	5.6	11.1	16.7	7.5	5.6	11.1	12.2	2,518	VS1AC	VS1GV47-4B
10V4260	10	7.5	14.2	21.3	10	7.5	14.2	15.6	3,129	VS1AC	VS1SP410-4B
15V4260	15	11.2	21	31.5	15	11.2	21	23.1	3,977	VS1AC	—
20V4260	20	15	27	40.5	20	15	27	29.7	4,727	VS1AC	—
25G4260	20	15	27	40.5	25	18.7	30.4	33.4	5,128	VS1AC	—
25V4260	25	18.7	34.5	51.8	25	18.7	34.5	38	6,809	VS1AC	—
30V4260	30	22.4	40	60	30	22.4	40	44	8,428	VS1AC	—
40V4260	40	30	54	81	40	30	54	59.4	9,490	VS1AC	—
50V4260	50	37.3	67	100.5	50	37.3	67	73.7	10,096	VS1AC	—
60G4260	50	37.3	67	100.5	60	45	78	85.8	12,372	VS1AC	—

**GV3000 Closed Loop Vector Power Module (Open) Enclosure**

Catalog Number	Heavy Duty				Normal Duty				List Price	Mult. Sym.	V*S Alternate (a)
	Hp	kW	Cont. Amps	Peak Amps	Hp	kW	Cont. Amps	Peak Amps			
<b>230 Volts - Three Phase Input</b>											
30V2060	30	22.4	105	157.5	30	22.4	105	115.5	9,153	VS1AC	VS1GV230-1B
40V2060	40	30	135	202.5	40	30	135	148.5	9,669	VS1AC	VS1GV240-1B
50V2060	50	37.3	150	225	50	37.3	150	165	10,834	VS1AC	VS1GV250-1B
60V2060	60	45	195	292.5	60	45	195	214.5	12,904	VS1AC	VS1GV260-1B
75V2060	75	56	245	367.5	75	56	245	269.5	13,979	VS1AC	—
100V2060	100	75	275	412.5	100	75	275	302.5	16,184	VS1AC	—
<b>460 Volts - Three Phase Input</b>											
30V4060	30	22.4	40	60	30	22.4	40	44	7,074	VS1AC	VS1GV430-1B
40V4060	40	30	54	81	40	30	54	59	7,818	VS1AC	VS1GV440-1B
50V4060	50	37.3	67	100	50	37.3	67	74	8,813	VS1AC	VS1GV450-1B
60V4060	60	45	78	117	60	45	78	86	10,192	VS1AC	VS1GV460-1B
75V4060	75	56	100	150	75	56	100	110	13,068	VS1AC	VS1GV475-1B
100V4060	100	75	140	210	100	75	140	154	13,480	VS1AC	VS1GV4100-1B
125V4060	125	93	170	255	125	93	170	187	15,519	VS1AC	VS1GV4125-1B
150V4060	150	112	200	300	150	112	200	220	19,114	VS1AC	VS1GV4150-1B
200V4060	200	149	240	360	200	149	240	264	19,605	VS1AC	VS1GV4200-1B

(a) Review dimension and application/IO functionality for complete compatibility. Contact your local district office for assistance.

Farm Duty Motors

Definite Purpose Motors

Unit Handling

Brake Motors

200 & 575 Volt Motors

IEC Frame Motors

50 Hertz Motors

Inverter/Vector Motors & Controls

DC Motors and Controls

Soft Start & Dynamic Brakes



### GV3000 Closed Loop Vector Amp Rated IP20 Bookshelf Enclosure

Catalog Number	Heavy Duty		Normal Duty		List Price	Mult. Sym.	V*S Alternate (a)
	Cont. Amps	Peak Amps	Cont. Amps	Peak Amps			
<b>230 Volts - Three Phase Input w/0 EMI Filter</b>							
31ER4060	2.1	3.2	3.1	3.4	1,804	VS1AC	VS1GV41-1B
38ER4060	3.1	4.7	3.8	4.2	1,827	VS1AC	VS1GV42-1B
55ER4060	3.8	5.7	5.5	6.1	1,867	VS1AC	VS1GV43-1B
85ER4060	6.7	10.1	8.5	9.4	1,935	VS1AC	VS1GV45-1B
126ER4060	9.3	14	12.6	13.9	2,098	VS1AC	VS1GV47-1B
150ER4060	11	16.5	15	16.5	2,528	VS1AC	VS1GV415-1B
240ER4060	16.5	24.8	24	26.4	3,114	VS1AC	VS1GV415-1B
300ER4060	22	33	30	33	3,904	VS1AC	VS1GV420-1B
430ER4060	32	48	43	47.3	4,242	VS1AC	VS1GV430-1B
<b>460 Volts - Three Phase Input w/EMI Filter</b>							
31ET4060	2.1	3.2	3.1	3.4	2,044	VS1AC	—
38ET4060	3.1	4.7	3.8	4.2	2,090	VS1AC	—
55ET4060	3.8	5.7	5.5	6.1	2,124	VS1AC	—
85ET4060	6.7	10.1	8.5	9.4	2,170	VS1AC	—
126ET4060	9.3	14	12.6	13.9	2,517	VS1AC	—
150ET4060	11	16.5	15	16.5	3,031	VS1AC	—
240ET4060	16.5	24.8	24	26.4	3,737	VS1AC	—
300ET4060	22	33	30	33	4,682	VS1AC	—
430ET4060	32	48	43	47.3	5,093	VS1AC	—

(a) Review dimension and application/IO functionality for complete compatibility. Contact your local district office for assistance.

### GV3000 Accessories and Kits

Catalog Number	Description	List Price	Mult. Sym.
<b>Communications Adapters</b>			
2AX3000	GV3000 AUTOMAX NETWORK CARD	573	VS1AC
2CN3000	GV3000 CONTROLNET CARD	951	VS1AC
2DV3000	GV3000 DEVICENET CARD	1,026	VS1AC
2PB3000	GV3000 PROFIBUS CARD	1,134	VS1AC
<b>NEMA 1 Kits</b>			
2CK4160	25-60Hp NEMA 1 CE Compliance Cover	378	VS1AC
2CK4100	NEMA1 Conversion Kit for 75-100Hp 460V IP00 GV3000 Drives	702	VS1AC
2CK4125	NEMA1 Conversion Kit for 125Hp 460V IP00 GV3000 Drives	767	VS1AC
2CK4200	NEMA1 Conversion Kit for 150-200Hp 460V IP00 GV3000 Drives	821	VS1AC
<b>Accessories and Options</b>			
2RK3000	GV3000 OIM REMOTE KEYPAD	508	VS1AC
2SI3000	GV3000/SUPER RMI CARD	621	VS1AC
2SI3000E	GV3000/SUPER RMIE CARD (For Bookshelf Drives)	621	VS1AC
2LB3000	GV3000 115Vac Control Input Interface Card	897	VS1AC

Farm Duty Motors

Definite Purpose Motors

Unit Handling

Brake Motors

200 & 575 Volt Motors

IEC Frame Motors

50 Hertz Motors

Inverter/Vector Motors & Controls

DC Motors and Controls

Soft Starters & Dynamic Brakes



**Are your drive needs beyond the scope of a stock item?  
Whatever your drive need, Baldor can help!  
Contact your local Baldor•Reliance District Office  
for more information.**

- **Higher horsepower AC Drives (up to 1600 Hp)**
- **Full line of Regen AC Drive (10-1500 Hp)**
- **Custom Panels and Modifications available from our  
UL 508 Certified Drives Center in s**

**including:**

- ~ NEMA 1
- ~ NEMA 4/4X
- ~ NEMA 3R
- ~ NEMA 12



Farm Duty  
Motors

Definite Purpose  
Motors

Unit Handling

Brake Motors

200 & 575 Volt  
Motors

IEC Frame  
Motors

50 Hertz  
Motors

Inverter/Vector  
Motors & Controls

DC Motors  
and Controls

Soft Start &  
Dynamic Brakes

**Three Phase - Line and Load Reactors**

**1 thru 500 Hp**



**Applications:** Line side power conditioning for AC motor controls to prevent unwanted harmonics and nuisance drive trips. Load side power conditioning to smooth power wave form to connected motor to reduce motor electrical stresses and increase motor life.

**Features:** Open construction with connection terminals. 3% impedance rating at rated current.

Hp	KW	Input Voltage	Rated Amps	Induct. (mH)	Full Load Watts Loss	Catalog Number	List Price	Mult. Sym.	Ap'x. Shpg. Wgt.
<b>208/230 Volt input, 60 Hz, 3% Impedance</b>									
1	0.75	230	4	3.0	9	LRAC00401	292	E8	9
1 1/2-2	1.15-1.5	208/230	8	1.15	14	LRAC00801	292	E8	3
3	2.2	208/230	12	1.25	26	LRAC01201	472	E8	10
5	3.7	208/230	18	0.8	36	LRAC01801	495	E8	4
7 1/2	5.5	208/230	25	0.5	48	LRAC02501	595	E8	11
10	7.4	208/230	35	0.4	49	LRAC03501	631	E8	19
15	11.1	230	45	0.3	54	LRAC04501	665	E8	23
20	14.9	230	55	0.25	64	LRAC05501	706	E8	25
25	18.6	208/230	80	0.138	105	LRAC080BTB	824	E8	31
30	22.3	208/230	110	0.1	95	LRAC110BCB	1,069	E8	39
40	29.8	208/230	130	0.085	117	LRAC130BCB	1,434	E8	30
50	37.2	208/230	160	0.069	127	LRAC160BCB	1,667	E8	47
<b>460 Volt input, 60 Hz, 3% Impedance</b>									
1-1 1/2	0.75-1.1	460	2	12.0	7.5	LRAC00201	246	E8	4
2	1.5	460	4	6.5	20	LRAC00402	310	E8	4
3-5	2.2-3.7	460	8	3.0	29	LRAC00802	362	E8	7
7 1/2	5.5	460	12	2.5	31	LRAC01202	499	E8	9
10	7.4	460	18	1.5	43	LRAC01802	522	E8	10
15	11.1	460	25	1.2	52	LRAC02502	823	E8	13
20-25	14.9-18.6	460	35	0.8	54	LRAC03502	875	E8	15
30	22.3	460	45	0.7	62	LRAC04502	704	E8	27
40	29.8	460	55	0.5	67	LRAC05502	980	E8	29
50-60	37.2-44.7	460	80	0.4	120	LRAC08002	869	E8	33
75	56	460	110	0.2	140	LRAC110ACB2	1,130	E8	55
100	75	460	130	0.17	150	LRAC130ACB2	1,510	E8	54
125	93.2	460	160	0.13	300	LRAC160ACB2	1,759	E8	54
150	112	460	200	0.11	222	LRAC200ACB	2,059	E8	68
200	149	460	250	0.088	370	LRAC360ACB2	2,881	E8	127
250	186.5	460	360	0.061	470	LRAC420ACB2	3,069	E8	128
300	223.8	460	400	0.053	460	LRAC420ACB2	3,069	E8	128
350-400	261-298	460	480	0.046	740	LRAC480ACB2	4,675	E8	127
500	373	460	600	0.037	493	LRAC600ACB	5,649	E8	245
<b>575 Volt input, 60 Hz, 3% Impedance</b>									
1-2	0.75-1.5	575	2	20	11.3	LRAC00202	273	E8	4
3	2.2	575	4	9	20	LRAC00403	424	E8	4
5	3.7	575	8	3	25.3	LRAC00802	362	E8	7
7 1/2	5.5	575	8	3	29	LRAC00803	478	E8	10
10	7.5	575	12	2.5	31	LRAC01202	499	E8	9
15	11	575	18	1.50	43	LRAC01802	522	E8	10
20	15	575	25	1.20	52	LRAC02502	823	E8	13
30	22	575	35	0.80	54	LRAC03502	875	E8	15
40	30	575	45	0.70	62	LRAC04502	704	E8	27
50	37.2	575	55	0.5	67	LRAC05502	980	E8	29
60-75	44.7-56	575	80	0.4	120	LRAC08002	869	E8	33
100	75	575	110	0.20	140	LRAC110ACB2	1,130	E8	55
125	93	575	130	0.17	150	LRAC130ACB2	1,510	E8	54
150	112	575	160	0.13	300	LRAC160ACB2	1,759	E8	54

(1) 2.5% impedance rating. % impedance decreases if load current is less than reactor rated current.

**NOTE:** See page 264 for Line Reactor enclosures. See notes on inside back flap and pages 5-6.

Farm Duty Motors

Definite Purpose Motors

Unit Handling

Brake Motors

200 & 575 Volt Motors

IEC Frame Motors

50 Hertz Motors

Inverter/Vector Motors & Controls

DC Motors and Controls

Soft Starters & Dynamic Brakes

**Three Phase - Line and Load Reactors continued...**

Hp (Rated)	kW (Rated)	Input Voltage	Rated Amps	Induct. (mH)	Full Load Watts Loss	Catalog Number	List Price	Mult. Sym.	Ap'x. Shpg. Wgt.
<b>200-240 Volt input, 50 Hz, 3% Impedance</b>									
1	0.75	240	4	3.0	14.5	LRAC00401	292	E8	9
1 1/2-2	1.1-1.5	200/240	8	1.15	19.5	LRAC00801	292	E8	3
3	2.2	200/240	12	1.25	26	LRAC01201	472	E8	10
5	3.7	200/240	18	0.8	36	LRAC01801	495	E8	4
7 1/2	5.5	240	25	0.5	48	LRAC02501	595	E8	11
10	7.5	200/240	35	0.4	49	LRAC03501	631	E8	19
15	11.1	240	45	0.3	54	LRAC04501	665	E8	23
20	14.9	240	55	0.25	64	LRAC05501	706	E8	25
25	18.6	200/240	80	0.2	105	LRAC080BTB	824	E8	31
30	22.3	200/240	110	0.1	95	LRAC110BCB	1,069	E8	39
40	29.8	200/240	130	0.085	117	LRAC130BCB	1,434	E8	30
50	37.2	200/240	160	0.069	127	LRAC160BCB	1,667	E8	47
<b>380/400/415 Volt input, 50 Hz, 3% Impedance</b>									
1	0.75-1.1	380	2	12.0	7.5	LRAC00201	246	E8	4
1	0.75	400/415	2	20.0	11.3	LRAC00202	273	E8	4
2	1.5	380	4	6.5	20	LRAC00402	310	E8	4
2	1.5	400/415	4	9.0	20	LRAC00403	424	E8	4
3	2.2	380/400/415	8	5.0	25.3	LRAC00802	362	E8	7
5	3.7	380/400/415	8	3.0	29	LRAC00803	478	E8	10
7 1/2	5.5	380/400/415	12	2.5	31	LRAC01202	499	E8	9
10	7.5	380/400/415	18	1.5	43	LRAC01802	522	E8	10
15	11.1	380/400/415	25	1.2	52	LRAC02502	823	E8	13
20	14.9	380/400/415	35	0.8	54	LRAC03502	875	E8	15
25-30	18.6-22.3	380/400/415	45	0.7	62	LRAC04502	704	E8	27
40-50	29.8-37.2	380/400/415	80	0.4	120	LRAC08002	869	E8	33
60-75	44.7-56	380/400/415	130	0.17	150	LRAC130ACB2	1,510	E8	54
100	75	400/415	160	0.13	300	LRAC160ACB2	1,759	E8	54
125	93	380/400/415	200	0.11	222	LRAC200ACB	2,059	E8	68
150-200	112-149	380/400/415	250	0.88	370	LRAC250ACB2	2,686	E8	128
250	186.2	380/400/415	360	0.061	470	LRAC360ACB2	2,881	E8	127
300	223.8	380/400/415	420	0.053	460	LRAC420ACB2	3,069	E8	128
350-400	261-298	380/400/415	480	0.046	493	LRAC480ACB2	4,675	E8	127

**Line Reactor Enclosures NEMA 1**

Enclosure Catalog No.	to Fit LRAC Catalog No.	Mount Type	List Price	Mult. Sym.	Ap'x Shpg. Wgt. (Lbs)	Width (IN/mm)	Height (IN/mm)	Depth (IN/mm)
LRENC-8	LRAC002-4XX LRAC01801	WALL	184	E8	12	8 (293)	10 (254)	6 (152)
	LRAC008-12XX LRAC01802							
LRENC-13	LRAC01803 LRAC08002	FLOOR	362	E8	16	13 (330)	15 (381)	13 (330)
	LRAC025-35XX							
	LRAC045-55XX							
LRENC-15	LRAC080XTB LRAC110-160XX	FLOOR	544	E8	35	15 (381)	16 (406)	13 (330)
	LRAC0110-500XX							
LRENC-20S	LRAC200-250XCB LRAC250-900ACB	FLOOR	729	E8	50	20 (508)	19 (483)	16 (406)

**NOTE:** See notes on inside back flap and pages 5-6.

## Remote Operator Control Stations

Baldor offers a variety of remote operator's control stations to meet the needs of most AC or DC drive applications.

A unique feature of the controls is the choice of non-maintained or maintained stop push button functions.

Other standard features include:

- Convenient easy-to-connect terminal blocks. Numbered/indicated contacts;
- UL listing. Optional features include: 5K ohm speed potentiometer; run/jog selector switch or push button; forward/reverse selector; auto/manual selector switch; and hand-off-auto selector switches.



Start Push Button	Stop Push Button (a)	5K Speed Pot	Run-Jog Switch	Jog Push Button	Fwd-Rev Switch	Hand-Auto Switch	Hand-Off-Auto Switch	Catalog Number	List Price	Mult. Sym.	Ap'x. Shpg. Wgt.	Dimensions		
												Height (in/mm)	Width (in/mm)	Depth (in/mm)
<b>NEMA 1, 3R, 4, 4X and 12 Remote Operator Stations</b>														
X	NM							<b>9C80</b>	243	E8	1	5/128	2.9/74	2.5/64
X	M							<b>9C81</b>	243	E8	1	5/128	2.9/74	2.5/64
X	NM	X						<b>9C90</b>	302	E8	1	6.6/167	2.9/74	2.5/64
X	M	X						<b>9C91</b>	302	E8	1	6.6/167	2.9/74	2.5/64
X	NM	X	X					<b>9C200</b>	363	E8	1	8.1/207	2.9/74	2.5/64
X	M	X	X					<b>9C201</b>	363	E8	2	8.1/207	2.9/74	2.5/64
X	NM	X				X		<b>9C210</b>	465	E8	1	8.1/207	2.9/74	2.5/64
X	M	X				X		<b>9C211</b>	465	E8	2	8.1/207	2.9/74	2.5/64
X	NM	X					X	<b>9C220</b>	465	E8	1	8.1/207	2.9/74	2.5/64
X	M	X					X	<b>9C221</b>	465	E8	2	8.1/207	2.9/74	2.5/64
X	NM	X	X			X		<b>9C230</b>	636	E8	2	11.3/287	2.9/74	2.5/64
X	M	X	X			X		<b>9C231</b>	636	E8	2	11.3/287	2.9/74	2.5/64
X	NM	X		X				<b>9C240</b>	404	E8	1	8.1/207	2.9/74	2.5/64
X	M	X		X				<b>9C241</b>	404	E8	2	8.1/207	2.9/74	2.5/64
X	NM	X	X		X			<b>9C300</b>	454	E8	2	11.3/287	2.9/74	2.5/64
X	M	X	X		X			<b>9C301</b>	454	E8	2	11.3/287	2.9/74	2.5/64
X	NM	X			X	X		<b>9C310</b>	646	E8	2	11.3/287	2.9/74	2.5/64
X	M	X			X	X		<b>9C311</b>	646	E8	5	11.3/287	2.9/74	2.5/64
X	NM	X			X		X	<b>9C320</b>	606	E8	2	11.3/287	2.9/74	2.5/64
X	M	X			X		X	<b>9C321</b>	606	E8	2	11.3/287	2.9/74	2.5/64
X	NM	X	X		X	X		<b>9C330</b>	676	E8	2	11.3/287	2.9/74	2.5/64
X	M	X	X		X	X		<b>9C331</b>	676	E8	2	11.3/287	2.9/74	2.5/64
X	NM	X		X	X			<b>9C340</b>	445	E8	2	11.3/287	2.9/74	2.5/64
X	M	X		X	X			<b>9C341</b>	445	E8	2	11.3/287	2.9/74	2.5/64
<b>NEMA 7/9 Explosion Proof Remote Operator Stations</b>														
X	NM	X	X					<b>9C16</b>	2,421	E8	15	5.3/134	0.6/269	3.3/84
X	M	X	X		X			<b>9C17</b>	2,260	E8	12	5.3/134	14.1/258	3.3/84

**NOTE:** (a) M = Maintained (Stop button contact remains open after stop button is depressed. To restart the drive, the stop button must be depressed before the start button.)

NM = Non-Maintained (Stop button contact momentarily opens and stops the drive. The contact then closes allowing the drive to be started when the start button is depressed.)

Farm Duty Motors

Definite Purpose Motors

Unit Handling

Brake Motors

200 & 575 Volt Motors

IEC Frame Motors

50 Hertz Motors

Inverter/Vector Motors & Controls

DC Motors and Controls

Soft Starters & Dynamic Brakes

## Digital Speed Potentiometer with Display

Baldor's microprocessor-based digital speed potentiometer with LED display of set speed may be used to replace the conventional 3-wire analog speed pot for most AC and DC drives. Desired set speed may be entered into the large 1/2" LED display by pressing the "up" and "down" pushbuttons: one digit at a time or in a fast sweep. Display shows 0.1% increments of full motor speed (0-100%).



### Specifications

Temperature	-10°C to +45°C
AC input voltage	85-264 VAC
Input frequency	50/60 Hz
Supply voltage applied across output	5 VDC to 15 VDC
Speed regulation	Same as driven unit
Input impedance to DSP4 will drive	500 ohm to 100 K ohm
Output	Isolated 3-wire pseudo-pot (normal or inverted output)
Display settings	0-100% of set speed range in 0.1% increments (resolution of 1000)
Non-volatile memory	Retains last set point upon loss of AC power (user selectable via dip switch settings)

Catalog Number	Description	List Price	Mult. Sym.	Ap'x. Shpg. Wgt.	Input Voltage
DSP4-6	Digital Speed Potentiometer with Display	509	E9	2	120/240 VAC 50/60 Hz

## Field Programmable Digital Tachometer for Rate and Time with Display

Baldor offers an economical micro-processor-based digital tachometer capable of measuring motor speeds as low as 1 RPM. Unit is field programmable for desired user specified units: RPM, FPM and GPM. Process time or other engineering units requires an input signal unit with 1 to 30,000 PPR such as the HPU and RK60 devices on page 323.



### Specifications

Temperature	-10°C to +45°C
AC input voltage	85-264 VAC
Input frequency	50/60 Hz
Input pulse rate	1 to 30,000 input pulses per minute
Resolution	from 0.01 RPM
Accuracy	±0.04% display update every pulse or 0.5 seconds, whichever is longer
Isolated high/low alarm output	5 amp 240 VAC max.
Transducer signal input	0-5 to 0-24 VDC square wave (hall-effect, photoelectric, magnetic or any TTL NPN open collector device.)

Catalog Number	Description	List Price	Mult. Sym.	Ap'x. Shpg. Wgt.	Input Voltage
DTM8000-6	Digital Tachometer for Rate & Time with Display	578	E9	1	120/240 VAC 50/60 Hz

Farm Duty Motors

Definite Purpose Motors

Unit Handling

Brake Motors

200 & 575 Volt Motors

IEC Frame Motors

50 Hertz Motors

Inverter/Vector Motors & Controls

DC Motors and Controls

Soft Start & Dynamic Brakes



### Subfractional Permanent Magnet DC Motor - TENV, Rigid Base



### 1/50 thru 1/4 Hp

**Applications:** General purpose including conveyors, material handling equipment and packaging machinery.

**Features:** High quality ball bearing motors with precision machined die cast aluminum or steel housings. Dynamically balanced for smooth, vibration-free operation.

Input Motor Hp	Output Base Speed	Voltage Direct Current Armature	Full Load Amperage Armature	Catalog Number	List Price	Mult. Sym.	Gear Style	Ap'x. Shpg. Wgt.	Notes (a)
1/50	1800	90	0.3	AP231001	244	DS	2308P	4	20,60
1/25	1725	90	0.5	AP232001	268	DS	2314P	5	20,60
1/15	1800	90	0.8	AP233001	288	DS	2318P	6	20,60
		180	0.4	AP233021	288	DS	2318P	6	20,60
1/8	1725	90	1.3	AP7401	403	DS	2424P	10	20,60
		180	0.7	AP7402	403	DS	2424P	10	20,60
1/4	3450	90	2.5	AP7421	403	DS	2424P	10	20,60
		180	1.3	AP7422	403	DS	2424P	11	20,60

**NOTE:** Supplied with type SJO, three foot 18/3 AWG grounded cord. (a) See notes on inside back flap and pages 5-6.

### SCR Drive Permanent Magnet Motor - TENV and TEFC, C-Face with Base



### 1/4 thru 5 Hp

### NEMA 56C thru 1810ATC

**Applications:** Conveyors, mixers, packaging machinery.

**Features:** NEMA C-face with removable base. Tach adaptable. Class F insulation, double sealed ball bearings. 20:1 constant torque speed range. UL and CSA recognized. 1/4 - 1/2 Hp motors are TENV, all others are TEFC. No dual mounting base holes on 1/4 - 1/2 Hp.

Hp	Base Speed	NEMA Frame	Voltage D.C.	Full Load Amperage	Enclosure	Catalog Number	List Price	Mult. Sym.	Ap'x. Shpg. Wgt.	Notes (a)	Reliance M/N	
			Arm.	Arm.								
1/4	1750	56C	90	2.5	TENV	CDP3310	584	K	24	20,60	T56S1001	
			180	1.25	TENV	CDP3306	584	K	24	20,60		
1/3	1750	56C	90	3.2	TENV	CDP3320	617	K	27	20,60	T56S1003	
			180	1.6	TENV	CDP3316	617	K	27	20,60		
1/2	1750	56C	90	4.8	TENV	CDP3330	690	K	32	20,60	T56S1005	
			180	2.5	TENV	CDP3326	690	K	31	20,60	T56S1027	
3/4	1750	56C	90	5	TENV	CDP3335	617	K	26	20,60	T56S1006	
			90	7.6	TEFC	CDP3440	838	K	38	20	T56S1009	
			180	3.7	TEFC	CDP3436	838	K	38	20	T56S1029	
1	1750	56C	90	7.5	TEFC	CDP3443	741	K	36	20		
			90	10	TEFC	CDP3445	1,019	K	44	20	T56S1011	
			180	5	TEFC	CDP3455	1,019	K	44	20	T56S1013	
1 1/2	2500	56C	90	9.7	TEFC	CDP3450	838	K	38	20		
			180	4.85	TEFC	CDP3460	838	K	38	20	T56S1012	
			1750	145TC	180	7.7	TEFC	CDP3575	1,879	L1	65	20
2	2500	145TC	180	7	TEFC	CDP3580	1,634	L1	51	20		
			1750	145TC	180	9.6	TEFC	CDP3585	2,242	L1	74	20
			2500	145TC	180	10	TEFC	CDP3590	1,879	L1	64	8
3	1750	182TC	180	14	TEFC	CDP3603	2,760	L1	112	20		
			180	14	TEFC	CDP3604	2,745	L1	115	20		
5	1750	1810ATC	180	21.6	TEFC	CDP3605	4,686	L1	160	20		

**NOTE:** See Tach Generators on page 283 and Mounting Kits on page 284. (a) See notes on inside back flap and pages 5-6.

HVAC Motors

Farm Duty Motors

Definite Purpose Motors

Brake Motors

200 & 575 Volt Motors

IEC Frame Motors

50 Hertz Motors

Inverter/Vector Motors & Controls

DC Motors and Controls

Soft Start & Dynamic Brakes



### Integral DC Tach Permanent Magnet SCR Drive Motor - TENV and TEFC, C-Face with Base

1/4 thru 5 Hp

NEMA 56C thru 1810ATC

**Applications:** Conveyors and metering pumps (precise speed regulation).

**Features:** Provides an integral 50 VDC per 1000 RPM precision tachometer for closed loop drive system. Class F insulation. 20:1 constant torque speed range with NEMA Type K control. 1/4 - 1/2 motors are TENV, all others are TEFC.



Hp	Base Speed	NEMA Frame	Voltage D.C.		Full Load Amperage	Enclosure	Catalog Number	List Price	Mult. Sym.	Ap'x. Shpg. Wgt.	Notes (a)
			Arm.	Arm.							
1/4	1750	56C	90	2.5	TENV	CDPT3310	1,670	K	27	20,60	
			180	1.25	TENV	CDPT3306	1,670	K	27	20,60	
1/3	1750	56C	90	3.2	TENV	CDPT3320	1,704	K	32	20,60	
			180	1.6	TENV	CDPT3316	1,704	K	30	20,60	
1/2	1750	56C	90	4.8	TENV	CDPT3330	1,811	K	35	20,60	
			180	2.5	TENV	CDPT3326	1,811	K	36	20,60	
3/4	1750	56C	90	7.6	TEFC	CDPT3440	1,916	K	44	20	
			180	3.7	TEFC	CDPT3436	1,916	K	45	20	
1	1750	56C	90	10	TEFC	CDPT3445	2,137	K	50	20	
			180	5	TEFC	CDPT3455	2,137	K	50	20	
1 1/2	1750	143TC	180	7.7	TEFC	CDPT3575	2,967	L1	69	20	
2	1750	143TC	180	9.6	TEFC	CDPT3585	3,329	L1	79	20	
3	1750	182ATC	180	14	TEFC	CDPT3603	3,872	L1	122	20	
5	1750	1810ATC	180	24.5	TEFC	CDPT3605	5,793	L1	161	20	

(a) See notes on inside back flap and pages 5-6.

### Explosion Proof Permanent Magnet SCR Drive Motor - TEFC, C-Face with Base

1/4 thru 1 1/2 Hp

NEMA 56C thru 145TC

**Applications:** Conveyors, feeders, and pumps (adjustable speed and constant torque for hazardous locations).

**Features:** NEMA C-Face with welded on base. 20:1 constant torque speed range. UL and CSA. Class I, Group D; Class II, Group F & G. T3C. Thermostat and explosion proof conduit box included. Not tach adaptable.



Hp	Base Speed	NEMA Frame	Voltage D.C.		Full Load Amperage	Catalog Number	List Price	Mult. Sym.	Ap'x. Shpg. Wgt.	Notes (a)
			Arm.	Arm.						
1/4	1750	56C	90	2.7	CDPX3410	1,605	K	38	20, 59	
			180	1.3	CDPX3406	1,605	K	38	20, 59	
1/3	1750	56C	90	3.6	CDPX3420	2,017	K	42	20, 59	
			180	1.7	CDPX3416	2,017	K	44	20, 59	
1/2	1750	56C	90	5.2	CDPX3430	2,278	K	46	20, 59	
			180	2.5	CDPX3426	2,278	K	46	20, 59	
3/4	1750	56C	90	7	CDPX3440	2,816	K	51	20, 59	
			180	3.5	CDPX3436	2,816	K	51	20, 59	
1	1750	56C	90	9.6	CDPX3545	3,751	K	72	20, 59	
			180	4.9	CDPX3555	3,751	K	71	20, 59	
1 1/2	1750	145TC	180	7.1	CDPX3575	4,010	L1	81	20, 59	

(a) See notes on inside back flap and pages 5-6.

HVAC Motors

Farm Duty Motors

Definite Purpose Motors

Brake Motors

200 & 575 Volt Motors

IEC Frame Motors

50 Hertz Motors

Inverter/Vector Motors & Controls

DC Motors and Controls

Soft Start & Dynamic Brakes

### Washdown Duty Permanent Magnet SCR Drive Motor - TENV and TEFC, C-Face with Base



1/4 thru 5 Hp

NEMA 56C thru 1810ATC

**Applications:** Food processing conveyors and feeders exposed to high pressure wash down.

**Features:** Moisture sealant on bolt heads between frame and endplates, neoprene gasketed conduit box. Double sealed ball bearings. Forsheda® running contact v-ring slinger. Stainless steel shaft. Electrostatic epoxy paint coating. Class F insulation. 20:1 constant torque speed range. Tach adaptable. 3300P motors are TENV, all others are TEFC.

Hp	Base Speed	NEMA Frame	Voltage D.C.		Enclosure	Catalog Number	List Price	Mult. Sym.	Ap'x. Shpg. Wgt.	Notes (a)
			Arm.	Arm.						
1/4	1750	56C	90	2.5	TENV	GDPWD3310	757	K	23	20,60
			180	1.25	TENV	CDPWD3306	757	K	24	20,60
1/3	1750	56C	90	3.2	TENV	CDPWD3320	799	K	27	20,60
			180	1.6	TENV	CDPWD3316	799	K	27	20,60
1/2	1750	56C	90	4.8	TENV	CDPWD3330	898	K	32	20,60
			180	2.5	TENV	CDPWD3326	898	K	32	20,60
3/4	1750	56C	90	7.6	TEFC	CDPWD3440	1,085	K	38	20
			180	3.7	TEFC	CDPWD3436	1,085	K	38	20
1	1750	56C	90	10	TEFC	CDPWD3445	1,324	K	44	20
			180	5	TEFC	CDPWD3455	1,324	K	44	20
1 1/2	1750	145TC	180	7.7	TEFC	CDPWD3575	2,533	L1	66	20
2	1750	145TC	180	9.6	TEFC	CDPWD3585	3,023	L1	73	20
3	1750	182TC	180	14	TEFC	CDPWD3603	3,869	L1	114	20
5	1750	1810ATC	180	24.5	TEFC	CDPWD3605	6,556	L1	157	20

**NOTE:** See Tach Generators on page 283. Mounting kits on page 284.

(a) See notes on inside back flap and pages 5-6.

### Paint Free Washdown Duty Permanent Magnet SCR Drive Motor, TEFC, C-Face with Base



1/4 thru 1 Hp

NEMA 56C

**Applications:** Food processing, packaging exposed to high pressure washdown with caustic solutions.

**Features:** Class F insulation; 20:1 constant torque speed range. Moisture resistant 200°C magnet wire. Sealed ball bearings with moisture resistant grease. Contact lip seals on shaft extensions. Neoprene gaskets. Special processed endplates. 300 series stainless steel motor frame, base, shaft and hardware. No exterior paint. Tropicalized. Not tach adaptable.

Hp	Base Speed	NEMA Frame	Voltage D.C.		Catalog Number	List Price	Mult. Sym.	Ap'x. Shpg. Wgt.	Notes (a)
			Arm.	Arm.					
1/4	1750	56C	90	2.7	CDPSWD3410	906	K	29	20
			180	1.3	CDPSWD3406	906	K	28	20
1/2	1750	56C	90	5.2	CDPSWD3430	1,074	K	37	20
			180	2.5	CDPSWD3426	1,074	K	38	20
1	1750	56C	90	9.6	CDPSWD3545	1,588	K	63	20
			180	4.9	CDPSWD3555	1,588	K	63	20

(a) See notes on inside back flap and pages 5-6.

HVAC Motors

Farm Duty Motors

Definite Purpose Motors

Brake Motors

200 & 575 Volt Motors

IEC Frame Motors

50 Hertz Motors

Inverter/Vector Motors & Controls

DC Motors and Controls

Soft Start & Dynamic Brakes

# Metric Flange Permanent Magnet SCR Drive Motor, TENV and TEFC, Flange and Face Mount

**0.15 thru 5 kW  
0.2 thru 3.7 Hp**

**IEC D63 thru D112D**

**Applications:** Metric SCR Drive Motor replacement.

**Features:** Metric Flange or C-Face per IEC 60072-1 Standards. Bolt on non-metric base. Class F insulation. Tach adaptable except type 15kW. 20:1 constant torque speed range. Conforms to IEC 60034-1.



kW/Hp	Base Speed	NEMA Frame	Voltage D.C.		Enclosure	Catalog Number	List Price	Mult. Sym.	Ap'x. Shpg. Wgt.	Notes (a)
			Arm.	Arm.						
<b>B5 Flange</b>										
.15/.20	1800	D63D	180	1.1	TENV	<b>VP7424D</b>	404	DS	11	60
.18/.25	1750	D71D	180	1.25	TENV	<b>VP3311D</b>	584	K	24	20,60
.25/.33	1750	D71D	180	1.6	TENV	<b>VP3316D</b>	617	K	28	20,60
.37/.5	1750	D71D	180	2.5	TENV	<b>VP3326D</b>	690	K	31	20,60
	3000	D71D	180	2.5	TEFC	<b>VP3428D</b>	715	K	32	20
.57/.75	1750	D80D	180	3.7	TEFC	<b>VP3436D</b>	838	K	41	20
	3000	D80D	180	3.6	TEFC	<b>VP3439D</b>	741	K	37	20
.75/1	1750	D80D	180	5	TEFC	<b>VP3455D</b>	1,019	K	46	20
	3000	D80D	180	5.1	TEFC	<b>VP3458D</b>	838	K	41	20
1.1/1.5	3000	D90D	180	7.7	TEFC	<b>VP3468D</b>	934	L1	47	20
	1750	D90D	180	7.7	TEFC	<b>VP3575D</b>	1,889	L1	68	20
1.5/2	1750	D90D	180	9.6	TEFC	<b>VP3585D</b>	2,254	L1	77	20
	3000	D90D	180	10	TEFC	<b>VP3588D</b>	1,889	L1	69	20
2.2/3	1750	D112D	180	14	TEFC	<b>VP3603D</b>	2,774	L1	124	20
3.7/5	1750	D112D	180	24.5	TEFC	<b>VP3605D</b>	4,710	L1	165	20
<b>B14 Face</b>										
.15/.20	1800	D63D	180	1.1	TENV	<b>VP7424-14</b>	404	DS	5	60
.18/.25	1750	D71C	180	1.4	TEFC	<b>VP3411-14</b>	657	K	30	20
.25/.33	1750	D71C	180	1.7	TEFC	<b>VP3416-14</b>	700	K	31	20
1.37/1.50	3000	D71C	180	2.5	TEFC	<b>VP3428-14</b>	715	K	31	20
	1750	D71C	180	2.5	TEFC	<b>VP3426-14</b>	741	K	37	20
.56/.75	3000	D80C	180	3.6	TEFC	<b>VP3439-14</b>	741	K	35	20
	1750	D80C	180	3.7	TEFC	<b>VP3436-14</b>	838	K	39	20
.75/1	3000	D80C	180	5.1	TEFC	<b>VP3458-14</b>	838	K	38	20
	1750	D80C	180	5	TEFC	<b>VP3455-14</b>	1,019	K	44	20
1.1/1.5	3000	D80C	180	7.7	TEFC	<b>VP3468-14</b>	934	L1	43	20
	1750	D90C	180	7.7	TEFC	<b>VP3575-14</b>	1,889	L1	71	20
1.5/2	3000	D90C	180	10.0	TEFC	<b>VP3588-14</b>	1,889	L1	70	20
	1750	D90C	180	9.6	TEFC	<b>VP3585-14</b>	2,254	L1	80	20

**NOTE:** Above motors D71 and larger with B5 flange, fitted with oil seal. Catalog numbers VP7424D and VP7424-14 are not tach adaptable. Tach Generators are shown on page 283. Tach Mounting Kits are shown on page 284.

(a) See notes on inside back flap and pages 5-6.

HVAC Motors

Farm Duty Motors

Definite Purpose Motors

Brake Motors

200 &amp; 575 Volt Motors

IEC Frame Motors

50 Hertz Motors

Inverter/Vector Motors &amp; Controls

DC Motors and Controls

Soft Start &amp; Dynamic Brakes

### Low Voltage Permanent Magnet Motor - TENV and TEFC

1/4 thru 1 Hp

NEMA 56C



**Applications:** Battery operation for portable pumps, fans, augers, winches and lifts.

**Features:** NEMA C-face, Class F insulation, double sealed ball bearings. Top-mounted terminal studs for power connection on ratings 40-amps and up. Not tach adaptable. 1/4 - 1/2 Hp are TENV, 3/4 - 1 Hp are TEFC.

Hp	Base Speed	NEMA Frame	Voltage D.C.	Full Load Amperage	Catalog Number	List Price	Mult. Sym.	Ap'x. Shpg. Wgt.	Notes (a)
1/4	1800	56C	12	22.5	CDP3410-V12	628	K	30	20,60
			24	10.6	CDP3410-V24	596	K	29	20,60
1/3	1800	56C	12	28.6	CDP3420-V12	690	K	30	20,60
			24	13.6	CDP3420-V24	658	K	30	20,60
1/2	1800	56C	12	40	CDP3430-V12	715	K	33	20,60
			24	19.6	CDP3430-V24	682	K	34	20,60
3/4	1800	56C	12	66	CDP3440-V12	1,026	K	42	20
		56CZ	24	29.4	CDP3440-V24	711	K	35	20
1	1800	56C	12	85.6	CDP3445-V12	1,486	K	45	20
			24	34.2	CDP3445-V24	1,479	K	44	20

(a) See notes on inside back flap and pages 5-6.

### DC Power Motor - TEFC, Rigid Base

1/3 thru 1 1/2 Hp

NEMA 56 thru 184



**Applications:** Cranes, hoists, conveyors, augers and marine duty DC applications. Powered from generators or batteries.

**Features:** 20% Compound Wound. Weather proof, meets IEEE 45 specifications. Suitable for mounting in any position. Continuous duty. Easy access brushes. Not tach adaptable.

Hp	Speed	NEMA Frame	Rated Current	Catalog Number	List Price	Mult. Sym.	Ap'x. Shpg. Wgt.	Notes (a)
<b>115 VDC</b>								
1/3	1750	56	3.2	D1151	1,143	K	23	20
1/2	1750	56	4.8	D1152	1,222	K	29	20
3/4	1750	56	6.6	D1153	1,435	K	34	20
1	1750	56	8	D1154	1,688	K	62	20
<b>230 VDC</b>								
1/3	1750	56	1.7	D2301	1,143	K	30	20
1/2	1750	56	2.1	D2302	1,225	K	29	20
3/4	1750	56	3.3	D2303	1,435	K	33	20
1	1750	56	4	D2304	1,688	K	61	20
1 1/2	1750	184	6.1	D2305	2,965	L1	82	20

**NOTE:** Not for SCR control applications. Base welded on 3513D type only. Not tach adaptable.

(a) See notes on inside back flap and pages 5-6.

HVAC Motors

Farm Duty Motors

Definite Purpose Motors

Brake Motors

200 & 575 Volt Motors

IEC Frame Motors

50 Hertz Motors

Inverter/Vector Motors & Controls

DC Motors and Controls

Soft Start & Dynamic Brakes

### Shunt Wound SCR Drive Motors, TEFC & Explosion Proof C-Face with Base

1/4 thru 3 Hp

NEMA 56C thru 184TC

**Applications:** Conveyors, printing, textile equipment, machine tools (adjustable speeds with constant torque).

**Features:** TEFC enclosure, shunt wound, Class F insulation. Designed for use with NEMA TYPE K SCR control, 20:1 constant torque speed range (except where noted). NEMA C-face and removable base (1) (except on explosion proof models). NEMA 182 and larger have a thermostat (normally closed contracts) on the field winding.



Hp	Base Speed	NEMA Frame	Voltage D.C.		Full Load Amperage		Catalog Number	List Price	Mult. Sym.	Ap'x. Shpg. Wgt.	Notes (e)
			Arm.	Field	Arm.	Field (c)					
1/4	1750	56C	90	100/50	3	.3/6	CD3425	588	K	23	20
1/3	1750	56C	90	100/50	3.4	.4/8	CD3433	642	K	24	20
			180	200/100	1.9	.21/42	CD3434	642	K	24	20
			90	100/50	3.7	.5/1	CD5333 (a)(d)	926	K	32	20
1/2	1750	56C	90	100/50	5.7	.5/1	CD3450	730	K	29	20
			180	200/100	2.6	.25/5	CD3451	730	K	29	20
			90	100/50	5	.44/88	CD5350 (d)	1,024	K	38	20
3/4	1750	56C	90	100/50	7.8	.6/1.2	CD3475	909	K	34	20
			180	200/100	3.9	.3/6	CD3476	909	K	34	20
			90	100/50	8	.6/1.2	CD5375 (d)	1,205	K	47	20
1	1750	56C	180	200/100	5	.3/6	CD5318 (d)	1,283	K	53	20
			90	100/50	10	.6/1.2	CD5319 (d)	1,283	K	52	20
		182C	180	200/100	5	.25/5	CD6218	1,715	L1	65	20
			90	100/50	9.6	.55/1.1	CD6219	1,715	L1	64	20
1 1/2	1750	182C	180	200/100	7.5	.25/5	CD6215	1,921	L1	82	20
2	1750	182C	180	200/100	9.5	.4/8	CD6202	2,272	L1	96	20
3	1750	184TC	180	200/100	14.7	.6/1.2	CD6203	2,580	L1	135	8, 73
<b>Explosion-Proof - Continuous Duty - Class I, Group D &amp; Class II, Group F &amp; G - 1.0 S.F.</b>											
1/2	1750	182CZ	90	100/50	4.9	.55/1.1	CDX1850 (b)	2,330	L1	103	2
3/4	1750	182CZ	90	100/50	7	.55/1.1	CDX1875 (b)	3,087	L1	102	2
1	1750	182CZ	180	200/100	5	.25/5	CDX2001 (b)	3,841	L1	105	2
		182C	180	200/100	5	.25/5	CDX7100	3,187	L1	103	2
1 1/2	1750	182C	180	200/100	7.5	.25/5	CDX7150	4,221	L1	118	2
2	1750	182C	180	200/100	9.5	.4/8	CDX7200 (b)	4,741	L1	137	2

**NOTE:** See Tach Generators on page 283 and Mounting Kits on page 284. Tach Mounting Kits are not available for explosion-proof motors.

- (a) Base welded on type 3513D only.
- (b) Refers to shaft and/or face mounting dimensions only. Base mounting dimensions and shaft height differ from NEMA frames shown. Go to [www.baldor.com](http://www.baldor.com) for details.
- (c) Field amps for high voltage connection.
- (d) No dual mounting base holes on 35D, 75D or 91D type.
- (e) See notes on inside back flap and pages 5-6.

Explosion-proof ratings UL and CSA, Class I, Group D & Class II, Group F & G, will not exceed surface temperature of 165°C, equivalent to Code T3B.

\* F2 Mount

### RPM III DC Shunt Wound SCR Drive Motors, 180V Armature Power Code K



1.5 thru 5 Hp

NEMA 189ATY thru 2112ATCZ

**Applications:** Metals, paper, web processes, extruders, cranes, conveyors, packaging, printing, machine tools.

**Features:** Unique laminated square frame for improved commutation on rectified power supplies. The square configuration allows for increased rating per frame size. Class F rated insulation system. Service Line brushes with convenient wear indicating reference lines. PLS™ (Positive Lubrication System) for longer bearing and motor life. F-3 mounting. Tach adaptable with thermostat.

Hp	Base Speed	NEMA Frame	Voltage D.C.		Full Load Amperage		Enclosure	Catalog Number	List Price	Mult. Sym.	Ap'x. Shpg. Wgt.	Reliance M/N	Field Type	XPY Tach Kit
			Arm.	Field	Arm.	Field (a)(b)								
1.5	1750	DC189ATY (c)	180	100/200	7.2	0.721	TENV	D1815R	4,275	N2	169	T18R1119	STR	413336-1R
2	1750	DC189ATY (c)	180	100/200	9.5	0.72	TENV	D1802R	5,135	N2	166	T18R1117	STR	413336-1R
3	1750	DC1811ATCZ (d)	180	100/200	14.1	1.21	TENV	CD1803R	6,594	N2	218	T18R1102	STR	413336-1R
		DC189ATY (c)(e)	180	100/200	14.8	0.946	DPG	D1803R	4,169	N2	130	T18R1118	STR	413336-1R
		DC189ATCZ (d)(e)	180	100/200	14.8	0.946	DPG	CDD1803R	4,169	N2	160	T18R1120	STR	413336-1R
5	1750	DC1810ATCZ (d)(e)	180	100/200	24	1.67	DPG	CD1805R	6,395	N2	175	T18R1105	STR	413336-1R
		DC2112ATCZ (d)	180	100/200	23	1.3	TENV	CD2105R	10,963	N2	400	T21S1101	STR	413336-1R

**NOTE:** Encoder and tachometer kits on page 277.

(a) Field amps at 25°C

(b) Field amps for high voltage connection

(c) 140TC C-face

(d) 180TC C-face

(e) Top mounted conduit box, if blower added, blower must be mounted F-1 or F-2.

### RPM III DC Shunt Wound SCR Drive Motors, 240V Armature 240V Field, Power Code C



3 thru 10 Hp

NEMA 1811ATCZ thru 2113ATCZ

**Applications:** Textile range drives, roofing machines, tube mills, and similar applications.

**Features:** Range drive motors have matched IR drops within approximately 5 volts and good regulation characteristics out to the maximum field weakened speed of 2300 rpm. Capable of operation at 25% base speed with 67% armature current and motor field pre-weakened to 2100 rpm. Specially designed for use on multi-motor drives operating on a common voltage power supply such as textile range drives, roofing machines, tube mills, etc. F-1 mounting. Tach adaptable with thermostat.

Hp	Base Speed	NEMA Frame	Voltage D.C.		Full Load Amperage		Enclosure	Catalog Number	List Price	Mult. Sym.	Ap'x. Shpg. Wgt.	Reliance M/N	Field Type	XPY Tach Kit
			Arm.	Field	Arm.	Field (a)								
3	1750/2300	C1811ATCZ (b)	240	240	11	0.994	SPG	CD2003R-2	5,083	N2	180	T18R1009	STAB	413336-1R
5	1750/2300	C1811ATCZ (b)	240	240	18.1	1.11	SPG	CD2005R-2	6,892	N2	180	T18R1010	STAB	413336-1R
7.5	1750/2300	C1812ATCZ (b)	240	240	27	1.4	SPG	CD2007R-2	8,554	N2	215	T18R1011	STAB	413336-1R
10	1750/2300	SC2113ATCZ (c)	240	240	37	2.18	SPG	D2010R-2	9,596	N2	360	T21S1001	STAB	417708-21

**NOTE:** Encoder and tachometer kits on page 277.

(a) Field amps at 25°C

(b) 180TC C-face

(c) 210TC C-face

HVAC Motors

Farm Duty Motors

Definite Purpose Motors

Brake Motors

200 & 575 Volt Motors

IEC Frame Motors

50 Hertz Motors

Inverter/Vector Motors & Controls

DC Motors and Controls

Soft Start & Dynamic Brakes



### RPM III DC Shunt Wound SCR Drive TEFC Motors, 240V & 500V Armature, Power Code C

5 thru 50 Hp

NEMA 1812ATZ thru 3212ATZ

**Applications:** Metals, paper, web processes, extruders, cranes, conveyors, packaging, printing, machine tools.

**Features:** Unique laminated square frame for improved commutation on rectified power supplies. The square configuration allows for increased rating per frame size. Class F rated insulation system. Service Line brushes with convenient wear indicating reference lines. PLS™ (Positive Lubrication System) for longer bearing and motor life. F-1 mounting unless otherwise specified. Tach adaptable with thermostat.

Hp	Base/Max Speed	NEMA Frame	Voltage D.C.		Full Load Amperage		Catalog Number	List Price	Mult. Sym.	Ap'x. Shpg. Wgt.	Notes	Reliance M/N	Field Type	XPY Tach Kit
			Arm.	Field	Arm.	Field (a)(b)								
5	1750/2300	C1812ATZ	240	150	18.5	1.79	D2505R	8,737	N2	235	87	T18R1005 (d)	STAB	417709-17
		SC2113ATZ	500	150/300	9	1.05	D5505R	8,737	N2	345	87	T21S201 (c)	STAB	417708.21
7.5	1750/2300	SC2113ATZ	240	150	27	3.26	D2507R	10,579	N2	380	87	T21S301	STAB	417709-65
		SC2113ATZ	500	150/300	13.5	1.41	D5507R	10,579	N2	375	87	T21S302 (d)	STAB	417709-65
10	1750/2300	MC2113ATZ	240	150	35.5	3.13	D2510R	12,085	N2	380	87	T21S303	STAB	417709-65
		MC2113ATZ	500	150/300	17.5	1.55	D5510R	12,085	N2	290	87	T21S304	STAB	417709-65
15	1750/2300	SC2512ATZ	240	150	53.5	2.17	D2515R	15,609	N2	555	6.87	T25S301	STAB	417709-66
		SC2512ATZ	500	150/300	25.6	1.71	D5515R	15,609	N2	555	87	T25S302	STAB	417709-66
20	1750/2300	LC2512ATZ	240	150	71	4.14	D2520R	17,936	N2	630	87	T25S303	STAB	417709-66
		LC2512ATZ	500	150/300	33	2.05	D5520R	17,936	N2	630	87	T25S304	STAB	417709-66
25	1750/2300	MC2812ATZ	240	150	87	4.05	D2525R	21,012	N2	825	87	T28S301	STAB	417709-67
		MC2812ATZ	500	150/300	41	2.23	D5525R	21,012	N2	825	86.87	T28S302	STAB	417709-67
30	1750/2300	LC2812ATZ	500	150/300	50	1.75	D5530R	23,264	N2	900	87	T28S303	STAB	417709-67
40	1750/2300	MC3212ATZ	500	150/300	65	1.82	D5540R	29,367	N2	1150	87	T32S301	STAB	417709-68
50	1750/2300	LC3212ATZ	500	150/300	84	1.97	D5550R	35,357	N2	1325	87	T32S302	STAB	417709-68

**NOTE:** Encoder and tachometer kits on page 277.

- (a) Field amps at 25°C
- (b) Field amps for high voltage connection
- (c) TENV enclosure
- (d) Power Code D

HVAC Motors

Farm Duty Motors

Definite Purpose Motors

Brake Motors

200 & 575 Volt Motors

IEC Frame Motors

50 Hertz Motors

Inverter/Vector Motors & Controls

DC Motors and Controls

Soft Start & Dynamic Brakes

### RPM III Wound Field SCR 10 thru 500 Hp

### NEMA 2113ATZ thru 4414ATZ

**Drive DPG-FV Motors,  
240V & 500V Armature,  
Power Code C**

**Applications:** Metals, printing, extruders, cranes, conveyors, machine tools

**Features:** Laminated square frame for improved commutation. Tach adaptable with thermostat. F1 mount unless otherwise specified.

Hp	Base/Max Speed	NEMA Frame	Voltage D.C.		Full Load Amperage		Catalog Number	List Price	Mult. Sym.	Ap'x. Shpg. Wgt.	Notes	Reliance M/N	Field Type	XPY Tach Kit
			Arm.	Field	Arm.	Field (a)								
10	1750/2300	SC2113ATZ	500	300	18	1.11	D5010RS-BV	14,382	N2	415 (c)	91,92	T21T1342	STAB	417708-21
15	1750/2300	SC2113ATZ	240	150	56	4.73	D2015R-BV	12,333	N2	385 (d)	93	T21T1359	STR	417708-21
		SC2113ATCZ	240	150	56	4.73	CD2015R-BV	12,928	N2	385 (b)	93	T21T1384	STR	417708-21
		SC2113ATZ	500	300	27	2.22	D5015R-BV	12,333	N2	345	93	T21T1364	STR	417708-21
		SC2113ATZ	500	300	27	3.03	D5015RS-BV	16,615	N2	345 (c)	91,92	T21T1346	STAB	417708-21
20	1750/2300	SC2113ATZ	240	150	76.5	7.12	D2020R-BV	13,834	N2	400 (d)	93	T21T1363	STR	417708-21
		SC2113ATZ	500	300	37	3.03	D5020R-BV	13,834	N2	395	93	T21T1350	STR	417708-21
		MC2113ATZ	500	300	37	2.23	D5020RS-BV	18,415	N2	440 (c)	91,92	T21T1344	STAB	417708-21
25	1750/2300	MC2113ATZ	240	150	96	8.43	D2025R-BV	15,305	N2	425 (d)	93	T21T1371	STR	417708-21
		MC2113ATZ	500	300	46	3.33	D5025R-BV	15,305	N2	370	6,94	T21T1351	STR	417708-21
30	1750/2300	LC2113ATZ	500	300	43	3.08	D5025RS-BV	20,181	N2	470 (c)	91,92	T21T1345	STAB	417708-21
		LC2113ATZ	240	150	109	10	D2030R-BV	16,632	N2	400	93	T21T1375	STR	417708-21
	1750/2300	LC2113ATZ	500	300	52	3.3	D5030R-BV	16,632	N2	450	93	T21T1352	STR	417708-21
		SC2512ATZ	500	300	51	2.84	D5030RS-BV	21,773	N2	565 (c)	91,92	T25T1342	STAB	417708-21
40	1150/1800	LC2115ATZ	500	300	54	3.94	D5130R-BV	21,017	N2	550	94	T21T1378	STR	417708-21
	1750/2300	LC2115ATZ	240	150	146	5.63	D2040R-BV	19,785	N2	480	6,93	T21T1380	STR	417708-21
		MC2115ATZ	500	300	69	4.48	D5040R-BV	19,785	N2	425	93	T21T2353	STR	417708-21
	1150/2000	MC2512ATZ	500	300	68.5	2.88	D5040RS-BV	25,983	N2	570 (c)	6,91,92	T25T1344	STAB	417708-21
50	1750/2100	LC2512ATZ	500	300	72	5.27	D5140R-BV	24,453	N2	650	94	T25T1355	STR	417708-21
		LC2512ATZ	500	300	87	3.94	D5050R-BV	22,211	N2	530	93	T21T2354	STR	417708-21
	1150/1900	LC2512ATZ	500	300	84	3.38	D5050RS-BV	28,466	N2	610 (c)	6,91,92	T25T1339	STAB	417708-21
60	1750/2100	C2514ATZ	500	300	87	4.06	D5150R-BV	27,744	N2	735	6,94	T25T1359	STR	417708-21
		LC2512ATZ	500	300	102	4.6	D5060R-BV	25,028	N2	650	93	T25T2348	STR	417708-21
	1150/1900	MC2812ATZ	500	300	100	3.43	D5060RS-BV	31,848	N2	810 (c)	6,91,92	T28T1330	STAB	417708-26
		C2515ATZ	500	300	102	5.17	D5160R-BV	31,311	N2	870	6,93	T25T1364	STR	417708-21
75	1750/2100	C2514ATZ	500	300	124	6.21	D5075R-BV	28,928	N2	695	93	T25T2349	STR	417708-21
		LC2812ATZ	500	300	124	3.62	D5075RS-BV	36,528	N2	930 (c)	6,91,92	T28T1327	STAB	417708-26
	1150/2000	C2815ATZ	500	300	125	4.14	D5175R-BV	36,330	N2	1190	6,93	T28T1342	STR	417708-26
100	1750/2000	C2515ATZ	500	300	167	6.7	D50100R-BV	35,595	N2	870	93	T25T2350	STR	417708-21
		MC3212ATZ	500	300	162	3.33	D50100RS-BV	44,526	N2	1210 (c)	6,91,92	T32T1314	STAB	417708-26
	1150/1850	C2815ATZ	500	300	168	4.14	D51100R-BV	43,793	N2	1240	6,94	T28T1344	STR	417708-26
125	1750/2000	C2813ATZ	500	300	204	6.93	D50125R-BV	41,651	N2	940	6,93	T28T1333	STR	417708-26
		UC2813ATZ	500	300	204	6.93	D50125UR-BV	42,888	N2	945	5,6,93	T28T1349	STR	417708-26
	1750/2100	LC3212ATZ	500	300	203	4.4	D50125RS-BV	51,797	N2	1290 (c)	6,91,92	T32T1318	STAB	417708-26
		UC3214ATZ	500	300	204	8.36	D51125RR-BV	52,096	N2	1475	5,6,93	T32T1327	STR	417708-26
150	1750/2000	C2815ATZ	500	300	245	9.45	D50150R-BV	47,534	N2	1125	6,93	T28T1334	STR	417708-26
		UC2815ATZ	500	300	245	9.45	D50150UR-BV	48,779	N2	1255	5,6,93	T28T1350	STR	417708-26
	1750/2100	MC3612ATZ	500	300	240	4.8	D50150RS-BV	58,856	N2	1685 (c)	6,95	T36S1313	STAB	417708-26
200	1750/2100	UC3612ATZ	500	300	249	7.29	D51150RR-BV	60,130	N2	1860	5,6,94	T36S1323	STR	417708-26
		UC3214ATZ	500	300	322	8.36	D50200RR-BV	61,614	N2	1585	5,6,93	T32T1322	STR	417708-26
	1150/2000	LC3612ATZ	500	300	321	5.41	D50200RS-BV	74,515	N2	1850 (c)	6,95	T36S1314	STAB	417708-26
250	1750/2100	C3613ATZ	500	300	323	10.7	D51200R-BV	72,045	N2	2010	6,94	T36S1325	STR	417708-26
		ULC3612ATZ	500	300	405	8.87	D50250RR-BV	73,723	N2	1890	5,6,94	T36S1318	STR	417708-26
	1150/2000	C4011ATZ	500	300	400	6.63	D50250RS-BV	90,167	N2	2500 (c)	6,95	T40S1306	STAB	417708-26
300	1750/2000	MC4013ATZ	500	300	406	10.7	D51250R-BV	87,340	N2	2800	6,94	T40S1317	STR	417708-26
		LC3613ATZ	500	300	478	12.5	D50300R-BV	88,856	N2	2010	6,94	T36S1319	STR	417708-26
	1150/2000	MC4013ATZ	500	300	478	6.5	D50300RS-BV	108,190	N2	2800 (c)	6,95	T40S1309	STAB	417708-26
400	1750/2000	LC4013ATZ	500	300	485	13.2	D51300R-BV	101,564	N2	3100	6,94	T40S1320	STR	417708-26
		MC4013ATZ	500	300	643	11.9	D50400R-BV	121,463	N2	2800	6,94	T40S1314	STR	417708-26
	1150/1600	LC4013ATZ	500	300	635	7.97	D50400RS-BV	154,523	N2	3100 (c)	6,95	T40S1311	STAB	417708-26
500	1750/2050	C4413ATZ	500	300	644	13	D51400R-BV	136,315	N2	3830	6,91,94	T44T1304	STR	417708-156
		C4412ATZ	500	300	797	10.8	D50500R-BV	164,021	N2	3480	6,91,94	T44T1305	STR	417708-156
1150/1450	C4414ATZ	500	300	805	12.3	D51500R-BV	172,203	N2	4560	6,91,94	T44T1306	STR	417708-156	

**NOTE:** Encoder and tachometer kits on page 277.

(a) Field amps at 25°C  
(b) 210TC C-Face

(c) Extruder duty enclosed commutator design  
(d) Power Code D

HVAC Motors

Farm Duty Motors

Definite Purpose Motors

Brake Motors

200 & 575 Volt Motors

IEC Frame Motors

50 Hertz Motors

Inverter/Vector Motors & Controls

DC Motors and Controls

Soft Start & Dynamic Brakes

### RPM III Wound Field SCR Drive DPG Motors, 240V & 500V Armature Power Code C

3 thru 60 Hp

NEMA 189ATCZ thru 2812ATZ

**Applications:** Metals, paper, web processes, extruders, cranes, conveyors, packaging, printing, machine tools.

**Features:** Unique laminated square frame for improved commutation on rectified power supplies. The square configuration allows for increased rating per frame size. High limit thermostat. Provision for adding adapter mounted feedback device. Class F rated insulation system. Service Line brushes with convenient wear indicating reference lines. PLS™ (Positive Lubrication System) for longer bearing and motor life. F-1 mounting unless otherwise specified.



Hp	Base/Max Speed	NEMA Frame	Voltage D.C.		Full Load Amperage		Catalog Number	List Price	Mult. Sym.	Ap'x. Shpg. Wgt.	Notes	Reliance M/N	Field Type	XPY Tach Kit
			Arm.	Field	Arm.	Field(a)(b)								
3	1750/2300	DC189ATCZ (c)(e)	240	150	11	1.52	D2003R	4,193	N2	130	80,83	T18R1127	STAB	413336-1R
		C1811ATZ	500	300	5.2	0.741	D5003R	4,943	N2	197	80	T18R1333 (d)	STR	413336-1R
5	1750/2300	C1811ATZ	240	150	19.2	1.77	D2005R	6,139	N2	194	80,83	T18R1318 (d)	STAB	413336-1R
		C1811ATZ	500	300	9	1	D5005R	6,139	N2	175	80	T18R1334 (d)	STR	413336-1R
7.5	1750/2300	C1811ATZ	240	150	28	1.95	D2007R	7,418	N2	197	80,83	T18R1301 (d)	STAB	413336-1R
		C1811ATZ	500	300	13.5	1.29	D5007R	7,418	N2	210	80	T18R1335 (d)	STR	413336-1R
10	1750/2300	C1812ATZ	240	150	37	2.12	D2010R	8,459	N2	225	80,84	T18R1302 (d)	STAB	413336-1R
		C1812ATZ	500	300	17.4	1.08	D5010R	8,459	N2	235	80,85	T18R1307 (d)	STAB	413336-1R
15	1750/2300	SC2113ATZ	240	150	56	4.12	D2015R	10,186	N2	315	87	T21S1330	STAB	417708-21
		SC2113ATZ	500	150/300	27	1.76	D5015R	10,186	N2	315	87	T21S1322	STAB	417708-21
20	1750/2300	LC2113ATZ	240	150	74	4.24	D2020R	11,688	N2	370	87	T21S1331	STAB	417708-21
		MC2113ATZ	500	150/300	35	1.98	D5020R	11,688	N2	375	87	T21S1323	STAB	417708-21
25	1750/2300	LC2113ATZ	240	150	91.5	5.82	D2025R	14,441	N2	410	87	T21S1332	STAB	417708-21
		LC2113ATZ	500	150/300	43	2.61	D5025R	14,441	N2	415	87	T21S1324	STAB	417708-21
30	1750/2300	SC2512ATZ	240	150	111	3.45	D2030R	15,900	N2	505	87	T25S1330	STAB	417708-21
		SC2512ATZ	500	150/300	52	1.71	D5030R	15,900	N2	505	87	T25S1322	STAB	417708-21
40	1750/2100	LC2512ATZ	500	150/300	68	2.4	D5040R	18,713	N2	580	6,87	T25S1323	STAB	417708-21
50	1750/2100	MC2812ATZ	500	150/300	85	2.01	D5050R	21,381	N2	775	6,87	T28S1313	STAB	417708-26
60	1750/2100	LC2812ATZ	500	300	100	2.77	D5060R	24,482	N2	850	6,87	T28S1314	STAB	417708-26

**NOTE:** Encoder and tachometer kits on page 277.

- (a) Field amps at 25°C
- (b) Field amps for high voltage connection
- (c) 180 TC C-face
- (e) Top mounted conduit box, if blower added, blower must be mounted F-1 or F-2
- (d) Power Code D

HVAC Motors

Farm Duty Motors

Definite Purpose Motors

Brake Motors

200 & 575 Volt Motors

IEC Frame Motors

50 Hertz Motors

Inverter/Vector Motors & Controls

DC Motors and Controls

Soft Start & Dynamic Brakes

### RPM III DC Motor Encoder and Tachometer Kits

**Applications:** Encoder and Tachometer Kits for Field Installation  
**Features:** Kits include the encoder or tachometer and all mounting hardware required for installation on RPM III DC Motors.

Device Type	Output	Catalog Number	Frames	Enclosure	List Price	Mult. Sym.	Ap'x. Shpg. Wgt.
RD120-1	1 x 120 ppr	417708-30	DC180, C180, DC2112	DPG, DPFV	2,444	E8	5
		417708-32	C210-C250	DPG, DPFV, TENV	2,444	E8	5
		417708-33	C280-C400	DPG, DPFV, TENV	2,444	E8	5
		417708-153	C440	DPG, DPFV, TENV	2,444	E8	5
RD120-2	2 x 120 ppr	417708-34	DC180, C180, DC2112	DPG, DPFV	3,002	E8	5
		417708-36	C210-C250	DPG, DPFV, TENV	3,002	E8	5
		417708-37	C280-C400	DPG, DPFV, TENV	3,002	E8	5
		417708-154	C440	DPG, DPFV, TENV	3,002	E8	5
H20	1024 ppr	417708-133	DC180, C180, DC2112	DPG, DPFV, TENV	3,258	E8	5
		417708-134	C210-C250	DPG, DPFV, TENV	3,258	E8	5
		417708-135	C280-C400	DPG, DPFV, TENV	3,258	E8	5
		417708-151	C440	DPG, DPFV, TENV	3,258	E8	5
RL67	1024z ppr	417708-126	DC180, C180, DC2112	DPG, DPFV, TENV	4,275	E8	4
		417708-136	C210-C250	DPG, DPFV, TENV	4,275	E8	6
		417708-137	C280-C400	DPG, DPFV, TENV	4,275	E8	6
		417708-138	C440	DPG, DPFV	4,275	E8	4
RE045	45 VAC/ 1000 RPM	413327-W	DC180, C180, DC2112	DPG, DPFV, TENV	3,257	E8	8
		417708-20	C210-C250	DPG, DPFV, TENV	3,257	E8	11
		417708-25	C280-C400	DPG, DPFV, TENV	3,257	E8	11
		417708-152	C440	DPG, DPFV, TENV	3,257	E8	13

### Encoder and Tachometer Mounting Kits (less tach)

**Applications:** Encoder and Tachometer mounting kits for field installation  
**Features:** Kits include all mounting hardware required for installation on RPM III DC motors. Feedback device not included.

Device Type	Catalog Number	Frames	Enclosure	List Price	Mult. Sym.	Ap'x. Shpg. Wgt.
XC42, XC46, BC42, BC46, H56, 800123-R & -S	413336-2R	DC180, C180, DC2112	DPG, DPFV, TENV	1,080	E8	9
	417708-22	C210-C250	DPG, DPFV, TENV	1,080	E8	9
	417708-27	C280-C400	DPG, DPFV, TENV	1,080	E8	9
	417708-155	C440	DPG, DPFV, TENV	1,080	E8	9
	417709-21	C180	TEFC	2,159	E8	19
	417709-58	C210	TEFC	2,159	E8	20
	417709-59	C250	TEFC	2,159	E8	23
	417709-60	C280	TEFC	2,159	E8	23
XPY, XPYII, 5PY, RPY444	417709-61	C320	TEFC	2,159	E8	29
	413336-1R	DC180, C180, DC2112	DPG, DPFV, TENV	1,080	E8	7
	417708-21	C210-C250	DPG, DPFV, TENV	1,080	E8	7
	417708-26	C280-C400	DPG, DPFV, TENV	1,080	E8	7
	417708-156	C440	DPG, DPFV, TENV	1,080	E8	8
	417709-17	C180	TEFC	2,159	E8	6
	417709-65	C210	TEFC	2,159	E8	6
	417709-66	C250	TEFC	2,159	E8	9
RL67	417709-67	C280	TEFC	2,159	E8	15
	417709-68	C320	TEFC	2,159	E8	18
	417708-40	DC180, C180, DC2112	DPG, DPFV, TENV	205	E8	1
	417708-41	C210 - C250	DPG, DPFV, TENV	205	E8	2
	417708-42	C280 - C400	DPG, DPFV, TENV	205	E8	1
	417708-157	C440	DPG, DPFV, TENV	256	E8	1

HVAC Motors

Farm Duty Motors

Definite Purpose Motors

Brake Motors

200 &amp; 575 Volt Motors

IEC Frame Motors

50 Hertz Motors

Inverter/Vector Motors &amp; Controls

DC Motors and Controls

Soft Start &amp; Dynamic Brakes

### Blower Kits for use with RPM III DC Motors

Suitable for operation on 230/460V or 240/480V, 3-Phase, 50/60 Hz

Motor Frame	Catalog Number	List Price	Mult. Sym.	Ap'x. Shpg. Wgt. (lb)	Description
C180ATZ, DC180ATZ	<b>417077-51</b>	1,273	A8	44	Blower Kit Without Filter
C210ATZ	<b>419947-29</b>	1,691	A8	52	Blower Kit Without Filter
C250ATZ	<b>419947-30</b>	1,934	A8	39	Blower Kit Without Filter
C280ATZ	<b>419947-32</b>	2,179	A8	55	Blower Kit Without Filter
C320ATZ	<b>419947-34</b>	2,422	A8	81	Blower Kit Without Filter
C3612ATZ	<b>417077-74</b>	2,748	A8	55	Blower Kit Without Filter
C3613ATZ	<b>417077-127</b>	2,616	A8	75	Blower Kit Without Filter
C400ATZ	<b>417077-75</b>	2,726	A8	85	Blower Kit Without Filter
C440ATZ	<b>417077-126</b>	8,345	A8	225	Blower Kit Without Filter

### Filter Kits for use with DPG-FV, RPM III DC motors

Motor Frame	Catalog Number	List Price	Mult. Sym.	Ap'x. Shpg. Wgt. (lb)	Description
C180ATZ, DC180ATZ	<b>417077-57</b>	554	A8	2	Washable Wire Mesh Canister Type
C2113ATZ	<b>417077-58</b>	704	A8	4	Washable Wire Mesh Canister Type
C2115ATZ	<b>417077-59</b>	554	A8	4	Washable Wire Mesh Canister Type
C2512ATZ	<b>417077-58</b>	704	A8	4	Washable Wire Mesh Canister Type
C2514ATZ	<b>417077-59</b>	554	A8	4	Washable Wire Mesh Canister Type
C2515ATZ	<b>417077-59</b>	554	A8	4	Washable Wire Mesh Canister Type
C2812ATZ	<b>417077-59</b>	554	A8	4	Washable Wire Mesh Canister Type
C2813ATZ	<b>417077-59</b>	554	A8	4	Washable Wire Mesh Canister Type
C2815ATZ	<b>417077-59</b>	554	A8	4	Washable Wire Mesh Canister Type
C3210ATZ	<b>417077-59</b>	554	A8	4	Washable Wire Mesh Canister Type
C3212ATZ	<b>417077-59</b>	554	A8	4	Washable Wire Mesh Canister Type
C3214ATZ	<b>417077-59</b>	554	A8	4	Washable Wire Mesh Canister Type
C3612ATZ	<b>417077-65</b>	727	A8	7	Washable Wire Mesh Canister Type
C3613ATZ	<b>417077-102</b>	1,070	A8	6	Washable Wire Mesh Canister Type
C400ATZ	<b>417077-102</b>	1,070	A8	6	Washable Wire Mesh Canister Type
C440ATZ	<b>417077-124</b>	1,588	A8	18	Square Replaceable Polyester Type

### Sliding Bases for RPM III DC motors

**Applications:** Used for adjusting belt tension on belted applications. Not suitable for wall or ceiling mounting.

Motor Frame	Catalog Number	List Price	Mult. Sym.	Ap'x. Shpg. Wgt.	Description	Dimension Sheet
DC1810ATZ	<b>42384-26D</b>	459	A8	14	Standard Duty	609987-501
DC1811ATZ	<b>42384-26BE</b>	551	A8	17	Heavy Duty	609987-501
C1811ATZ	<b>42384-26BE</b>	551	A8	17	Heavy Duty	609987-1
C1812ATZ	<b>42384-26BF</b>	551	A8	17	Heavy Duty	609987-1
DC2112ATZ	<b>42384-26BH</b>	551	A8	29	Heavy Duty	609958-51
C2113ATZ	<b>419914-1A</b>	551	A8	50	Heavy Duty	609957-1
C2115ATZ	<b>419914-1P</b>	551	A8	36	Heavy Duty	609957-1
C2512ATZ	<b>419914-1B</b>	643	A8	33	Heavy Duty	609957-1
C2514ATZ	<b>419914-1R</b>	643	A8	59	Heavy Duty	609957-1
C2515ATZ	<b>419914-1S</b>	643	A8	36	Heavy Duty	609957-1
UC2812ATZ	<b>419914-1C</b>	825	A8	37	Heavy Duty	609957-1
UC2813ATZ	<b>419914-1T</b>	825	A8	26	Heavy Duty	609957-1
UC2815ATZ	<b>419914-1U</b>	825	A8	42	Heavy Duty	609957-1
UC3212ATZ	<b>419914-1D</b>	825	A8	69	Heavy Duty	609977-1
UC3214ATZ	<b>419914-1W</b>	825	A8	76	Heavy Duty	609977-1
UC3612ATZ	<b>419914-1E</b>	1,630	A8	76	Heavy Duty	609977-1
UC3613ATZ	<b>419914-1X</b>	1,630	A8	81	Heavy Duty	609977-1



### SCR Drive Motors Shunt 5 thru 250 Hp and Stabilized Shunt Wound - DPF, Self Ventilated, Rigid Base

### NEMA L186AT thru 506AT

**Applications:** Conveyors, plastic extruders, packaging machinery and other constant torque applications for DC SCR motors.

**Features:** Includes thermostat on interpole. Class F insulation system resistant to dirt, carbon, dust and moisture. High dielectric stability. Low moment of inertia armature for fast response. Constant pressure brush springs and longer brushes for reduced maintenance. Includes grease fittings and reliefs for bearing maintenance. Power code C and D or M-G sets. Maximum RPM by field weakening. Provisions for tach mounting. (See tach mounting kits on page 282). May be converted to blower ventilated (DPBV) for extended constant torque speed range.



Hp	Base/Max Speed (a)	NEMA Frame	Voltage D.C.		Full Load Amperage		Catalog Number	List Price Motors Only (c)	Mult. Sym.	Ap'x. Shpg. Wgt. (d)	XPY Tach Kit	Blower Catalog Number	Notes (e)
			Arm.	Field	Arm.	Field (b)							
5	1750/2300	L186AT	240	150/300	17.7	.68	D2005P	4,888	N2	178	TKP1836XP	FVB3180	2,20
			500	150/300	8.5	.6	D5005P	4,888	N2	162	TKP1836XP	FVB3180	2,20
7 1/2	1750/2300	1810AT	240	150/300	28.1	.8	D2007P	5,896	N2	239	TKP1836XP	FVB3180	2,20
		218AT	500	150/300	13.2	.69	D5007P	5,896	N2	239	TKP1836XP	FVB3210	2,20
10	1750/2300	219AT	240	150/300	36.6	2.16	D2010P	6,719	N2	259	TKP1836XP	FVB3210	2,20
			500	150/300	17.2	1.17	D5010P	6,719	N2	255	TKP1836XP	FVB3210	2,20
15	1750/2300	258AT	240	150/300	55	2.58	D2015P	8,083	N2	379	TKP1836XP	FVB3250	2,20
			500	150/300	25.2	1.4	D5015P	8,083	N2	379	TKP1836XP	FVB3250	2,20
20	1750/2300	259AT	240	150/300	70.5	2.48	D2020P	9,268	N2	429	TKP1836XP	FVB3250	2,20
			500	150/300	35.1	1.24	D5020P	9,268	N2	429	TKP1836XP	FVB3250	2,20
25	1750/2300	288AT	240	150/300	89.2	2.99	D2025P	10,938	N2	589	TKP1836XP	FVB4280	2,20
		287-8AT	500	150/300	43.4	1.64	D5025P	10,938	N2	529	TKP1836XP	FVB4280	2,20
30	1750/2300	288AT	240	150/300	106	4.52	D2030P	12,035	N2	589	TKP1836XP	FVB4280	2,20
			500	150/300	50	2	D5030P	12,035	N2	579	TKP1836XP	FVB4280	2,20
40	1750/2100	328AT	500	150/300	67.9	2.17	D5040P	14,850	N2	819	TKP1836XP	FVB6320	2,20
50	1750/2100	328AT	500	150/300	83.7	2	D5050P	16,923	N2	822	TKP1836XP	FVB6320	2,20
60	1750/2100	365-6AT	500	150/300	98.6	1.75	D5060P	19,371	N2	815	TKP1836XP	FVB6400	2,20
75	1750/2100	366AT	500	150/300	123	1.48	D5075P	22,756	N2	959	TKP1836XP	FVB6400	2,20
100	1750/2000	368AT	500	150/300	158	3	D50100P	28,548	N2	1129	TKP1836XP	FVB6400	2,20
125	1750/2000	407AT	500	150/300	200	3	D50125P	33,807	N2	1459	TKP400XP	FVB6400	2,20
150	1750/2000	409AT	500	150/300	237	3.7	D50150P	40,674	N2	1139	TKP400XP	FVB6400	2,20
200	1750/1900	504AT	500	150/300	320	3.9	D50200P	51,586	N2	2149	TKP500XP	FVB8500	2,20
250	1750/1900	506AT	500	150/300	392	5	D50250P	63,431	N2	2569	TKP500XP	FVB8500	2,20

**NOTES:**

- (a) DPF enclosure is self-ventilated. Speed can be reduced to approximately 60% of base speed with constant torque. See performance data in CA608 catalog for specific speed-torque curves. Separate blower can be used to increase operating range below 60% of base speed.
- (b) Field amps are for 150V connection on 240VDC motors; 300V connection on 500VDC motors. 360, 400 & 500 frames are 4 pole stabilized shunt until 3rd quarter 2006 when they became shunt. Others are 2 pole shunt.
- (c) Does not include price of blower. See page 282 for pricing.
- (d) Does not include weight of blower. See page 282 for weights.
- (e) See notes on inside back flap and pages 5-6.

180 frame motors are supplied without external conduit box, see online layout drawing for details.

HVAC Motors

Farm Duty Motors

Definite Purpose Motors

Brake Motors

200 & 575 Volt Motors

IEC Frame Motors

50 Hertz Motors

Inverter/Vector Motors & Controls

DC Motors and Controls

Soft Start & Dynamic Brakes



### SCR Drive Motor Shunt and Stabilized Shunt Wound DPBV Enclosure - Rigid Base

40 thru 500 Hp

NEMA 328AT thru 5010AT

**Applications:** Conveyors, plastic extruders, packaging machinery and other constant torque applications for DC SCR motors.

**Features:** Includes thermostat on interpole. Class F insulation system resistant to dirt, carton, dust and moisture. High dielectric stability. Low moment of inertia armature for fast response. Constant pressure brush springs and longer brushes for reduced maintenance. Includes grease fittings and reliefs for bearing maintenance. Power code C or M-G sets. Maximum RPM by field weakening. Provisions for tach mounting. (See tach kits on page 282). Blower-ventilated, includes filter.



Hp	Base/Max Speed	NEMA Frame	Voltage D.C.		Full Load Amperage		Catalog Number	List Price w/Blower & Filter	Mult. Sym.	Ap'x. Shpg. Wgt.	XPY Tach Kit	Notes (b)
			Arm.	Field	Arm.	Field (a)						
40	1750/2100	328AT	240	150/300	138	2.64	D2040P-BV	16,174	N2	889	TKP1836XP	2,20
			500	150/300	67.9	2.17	D5040P-BV	16,174	N2	871	TKP1836XP	2,20
50	1750/2100	328AT	240	150/300	175	2.64	D2050P-BV	18,090	N2	898	TKP1836XP	2,20
			500	150/300	83.7	2	D5050P-BV	18,090	N2	899	TKP1836XP	2,20
60	1750/2100	366AT	240	150/300	201	5.6	D2060P-BV	20,316	N2	996	TKP1836XP	2,20
		365-6AT	500	150/300	98.6	1.75	D5060P-BV	20,316	N2	869	TKP1836XP	2,20
75	1750/2100	366AT	240	150/300	256	5.6	D2075P-BV	23,394	N2	1015	TKP1836XP	2,20
			500	150/300	123	1.48	D5075P-BV	23,394	N2	999	TKP1836XP	2,20
100	1750/2000	368AT	500	150/300	158	3	D50100P-BV	28,489	N2	1179	TKP1836XP	2,20
125	1750/2000	368AT	500	150/300	197	3	D50125P-BV	33,440	N2	1189	TKP1836XP	2,20
150	1750/2000	407-9AT	500	150/300	238	2.7	D50150P-BV	38,358	N2	1519	TKP400XP	2,20
200	1750/1900	409AT	500	150/300	311	3.75	D50200P-BV	47,849	N2	1809	TKP400XP	2,20
250	1750/1900	504-6AT	500	150/300	405	4.9	D50250P-BV	58,661	N2	2289	TKP500XP	2,20
300	1750	506AT	500	150/300	478	6.2	D50300P-BV	69,640	N2	2659	TKP500XP	2,20
400	1750/1900	508AT	500	150/300	624	6.08	D50400P-BV	98,303	N2	3289	TKP5006XP	2,20
500	1750/1900	5010AT	500	150/300	788	6	D50500P-BV	129,266	N2	4169	TKP500XP	2,20

**NOTE:** (a) Field amps are for 150V connection on 240VDC motors; 300V connection on 500VDC motors. 360 through 500 frames are 4 pole stabilized shunt, until 3rd quarter 2006 when they became shunt. Others are 2 pole shunt. Tach mounting kits on page 282. (b) See notes on inside back flap and pages 5-6.

### SCR Drive Motor 240V Armature - 240V Field Shunt Wound DPFG - Self-Ventilated Rigid Base and C-Face

3 thru 15 Hp

NEMA L186ATC thru 258ATC

**Applications:** Conveyors, plastic extruders, packaging machinery and other constant torque applications for DC SCR motors.

**Features:** Includes thermostat on interpole. Class F insulation system resistant to dirt, carton, dust and moisture. High dielectric stability. Low moment of inertia armature for fast response. Constant pressure brush springs and longer brushes for reduced maintenance. Includes grease fittings and reliefs for bearing maintenance. Power code C or M-G sets. Maximum RPM by field weakening.



Hp	Base/Max Speed	NEMA Frame	Voltage D.C.		Full Load Amperage		Catalog Number	List Price Motor (b)	Mult. Sym.	Ap'x. Shpg. Wgt. (c)	XPY Tach Kit	Blower Catalog Number	Notes (d)
			Arm.	Field	Arm.	Field (a)							
3	1750/2300	L186ATC	240	120/240	10.6	.45	CD2003P-2	4,164	N2	170	TKP1836XP	FVB3180	1, 3
5	1750/2300	L186ATC	240	120/240	17.7	.45	CD2005P-2	5,048	N2	170	TKP1836XP	FVB3180	1, 3
7 1/2	1750/2300	1810ATC	240	120/240	28.1	.52	CD2007P-2	6,056	N2	233	TKP1836XP	FVB3180	1, 3
10	1750/2300	219ATC	240	120/240	36.6	1.26	CD2010P-2	7,191	N2	267	TKP1836XP	FVB3210	1, 3
15	1750/2300	258ATC	240	120/240	55	1.26	CD2015P-2	8,552	N2	409	TKP1836XP	FVB3250	1, 3

**NOTE:** (a) Field amps for 240VDC connection. (b) Does not include price of blower and filter. See page 282 for pricing. (c) Does not include weight of blower and filter. See page 282 for weights. Tach mounting kits on page 282. (d) See notes on inside back flap and pages 5-6. 180 frame motors are supplied without external conduit box, see online layout drawing for details.

### Shunt Wound SCR Drive Motor - TEFC, Rigid Base

5 thru 25 Hp

NEMA 1810AT THRU 328AT

**Applications:** Conveyors and packaging machinery.

**Features:** Includes thermostat on interpole, grease fittings and reliefs. Class F insulation system. Constant pressure brush springs and precision brush holders. Provisions for tach mounting ( See tach mounting kits page 282).



Hp	Base/Max Speed	NEMA Frame	Voltage D.C.		Full Load Amperage		Catalog Number	List Price Motors Only	Mult. Sym.	Ap'x. Shpg. Wgt.	XPY Tach Kit	Notes (b)
			Arm.	Field	Arm.	Field (a)						
5	1750/2300	1810AT	240	150/300	17.6	0.68	D2505P	6,939	N2	379	N/A	1, 3
			500	150/300	8.3	0.34	D5505P	7,399	N2	229	N/A	1, 3
7 1/2	1750/2300	2110AT	240	150/300	26.6	2.10	D2507P	8,394	N2	319	TKP2136XPT	1, 3
			500	150/300	12.3	1.05	D5507P	8,394	N2	319	TKP2136XPT	1, 3
10	1750/2300	259AT	240	150/300	34.3	1.72	D2510P	9,582	N2	459	TKP2136XPT	1, 3
			500	150/300	16.3	0.86	D5510P	9,582	N2	459	TKP2136XPT	1, 3
15	1750/2300	288AT	240	150/300	51.7	1.96	D2515P	12,366	N2	629	TKP2136XPT	1, 3
			500	150/300	24.5	0.99	D5515P	12,366	N2	629	TKP2136XPT	1, 3
20	1750/2300	328AT	240	150/300	68.8	2.22	D2520P	14,202	N2	879	TKP2136XPT	1, 3
			500	150/300	32.7	1.11	D5520P	14,202	N2	867	TKP2136XPT	1, 3
25	1750/2300	328AT	240	150/300	84.8	2.22	D2525P	16,632	N2	872	TKP2136XPT	1, 3
			500	150/300	40.9	1.11	D5525P	16,632	N2	870	TKP2136XPT	1, 3

**NOTE:** (a) Field amps are for 150V connection on 240VDC motors; 300V connection on 500VDC motors. Tach mounting kits on page 282.

(b) See notes on inside back flap and pages 5-6.

180 frame motors are supplied without external conduit box, see online layout drawing for details.

### Lifting Magnet Generators

5 thru 40 kW

NEMA 1810AT thru 329AT

**Applications:** Crane mounted lifting magnets for recyclers and steel mills.

**Features:** Heavy duty steel frame. Cast iron endplates. Class H insulation with Class F temperature rise. Precision brush holders. Constant force brush springs. Double sealed ball bearings. Compound wound with drooping voltage characteristics. DPGF enclosure. Weather resistant paint. F-2 conduit box. CDMG generators have C-face and base mounting for hydraulic pump or PTO mounting.



kW	Base Speed	NEMA Frame	Voltage D.C.		Full Load Amperage		Catalog Number	List Price	Mult. Sym.	Ap'x. Shpg. Wgt.	Field Control Rheostat		Notes (a)
			Arm.	Field	Arm.	Field					Ohms	Amp Max.	
5	2500	1810AT	230	230	21.7	0.61	DMG2305	6,285	N2	220	300	0.85	1, 3
7 1/2	2500	219AT	230	230	32.6	1.14	DMG2307	7,230	N2	262	150	1.6	1, 3
		219ATC	230	230	43.5	0.72	DMG2310	8,013	N2	246	200	1.4	1, 3
10	2500	219ATC	230	230	43.5	0.72	CDMG2310	8,515	N2	250	200	1.4	1, 3
		259AT	230	230	65	1.3	DMG2315	13,452	N2	429	200	1.82	1, 3
15	1750	259ATC	230	230	65	1.3	CDMG2315	13,943	N2	459	200	1.82	1, 3
		288AT	230	230	87	1.8	DMG2320	14,727	N2	589	125	2.52	1, 3
20	1750	288ATC	230	230	87	1.8	CDMG2320	15,565	N2	609	125	2.52	1, 3
		328AT	230	230	109	2.13	DMG2325	16,103	N2	849	100	3.0	1, 3
25	1750	328ATC	230	230	109	2.13	CDMG2325	16,935	N2	878	100	3.0	1, 3
		328AT	230	230	144	2.13	DMG2333	20,421	N2	831	100	3.0	1, 3
33	1750	328ATC	230	230	144	2.13	CDMG2333	21,246	N2	883	100	3.0	1, 3
		329AT	230	230	174	3.7	DMG2340	22,385	N2	910	50	5.2	1, 3

**NOTE:** Field control rheostat and meters are not included in price or available from Baldor.

(a) See notes on inside back flap and pages 5-6.

HVAC Motors

Farm Duty Motors

Definite Purpose Motors

Brake Motors

200 & 575 Volt Motors

IEC Frame Motors

50 Hertz Motors

Inverter/Vector Motors & Controls

DC Motors and Controls

Soft Start & Dynamic Brakes

### Tach Mounting Kits and Cooling Blowers for DC Integral Hp Motors



**Applications:** Allows addition of DC, AC and digital tachometers to large DC motors for closed-loop operation.

**Features:** Tach mounting kits supply adapter, coupling, accessory shaft and mounting hardware. Allows mounting to 8.5 inch accessory face on most large DC motors.

#### Tach Mounting Kits for DC Integral Hp Motor Catalog No. Ending With "P"

Tach Type	Motor Frame	Motor Enclosure	Catalog Number	List Price	Mult. Sym.	Ap'x. Shpg. Wgt.
XPYII XPY, DPY BTG1000	180/360	DPFG, DPBV	TKP1836XP	872	A8	1
	210/360	TEFC	TKP2136XPT	872	A8	13
	400	DPFG, DPBV	TKP400XP	872	A8	3
	500	DPFG, DPBV	TKP500XP	872	A8	3
XC42 or XC46	210/360	DPFG, DPBV	TKP2136XC	1,218	A8	16
	500	DPFG, DPBV	TKP500XC	1,218	A8	7
ENC00NV ENCODER	180/360	DPFG, DPBV	TKP1836ENC	664	A8	17
	400	DPFG, DPBV	TKP400ENC	664	A8	16
	500	DPFG, DPBV	TKP500ENC	664	A8	17
NCS PANCAKE	210/360	DPFG, DPBV	TKP2136NC	53	A8	3
	400	DPFG, DPBV	TKP400NC	53	A8	1
	500	DPFG, DPBV	TKP500NC	53	A8	1
AC PANCAKE	210/360	DPFG, DPBV	TKP2136AC	53	A8	2
	400	DPFG, DPBV	TKP400AC	53	A8	1
	500	DPFG, DPBV	TKP500AC	53	A8	1

#### Blower and Mounting Kits for DC Integral Hp Motor Catalog No. Ending With "P"

Motor Frame	Catalog Number	Blower Power	Blower Size	List Price	Mult. Sym.	Ap'x. Shpg. Wgt.
<b>Blower and Mounting Kit</b>						
180	FVB3180	1 PH	LM 3	1,239	A8	18
210	FVB3210	3 PH	LM 3	1,239	A8	22
250	FVB3250	3 PH	LM 3	1,239	A8	19
280	FVB4280	3 PH	LM 4	1,513	A8	38
320	FVB6320	3 PH	LM 6	1,766	A8	46
360-400	FVB6400	3 PH	LM 6	1,933	A8	59
504-506	FVB8500	3 PH	LM 8	2,286	A8	79
508-5012	FVB95010 (a)	3 PH	LM 9	3,941	A8	171
<b>Filter and Hardware for Above Blowers</b>						
180, 210, 250	FLT3210-250 (b)	-	LM 3	593	A8	2
280	FLT4280	-	LM 4	593	A8	9
320,360,400	FLT6320-400	-	LM 6	593	A8	9
504-506	FLT8500	-	LM 8	754	A8	9

**NOTE:** (a) Includes Blower and Filter. (b) Also used with FVB3180.

HVAC Motors

Farm Duty Motors

Definite Purpose Motors

Brake Motors

200 & 575 Volt Motors

IEC Frame Motors

50 Hertz Motors

Inverter/Vector Motors & Controls

DC Motors and Controls

Soft Start & Dynamic Brakes

### Tach Generators DC, AC and Digital Output



**Applications:** Speed feedback for controls (encoders also offer position feedback).

**Features:** Ball bearing construction, standard mounting flanges and/or feet.

Generator Type	Voltage	Catalog Number	List Price	Mult. Sym.	Ap'x. Shpg. Wgt.
<b>XPY Flange Mount (DC)</b>					
30AFL-0	50VDC	BTG1000	466	DS	7
XPYII	100VDC	BTG100XPS	850	N5	2
XPYII	100VDC	PTG100XPS	1,257	N5	10
XPY	100VDC	PTG100XP	1,210	N5	3
XPY	50VDC	BTG50XPS	850	N5	2
XPYII	50VDC	PTG50XPS	1,257	N5	8
XPY	50VDC	PTG50XP	1,210	N5	3
<b>XPY Washdown Flange Mount (DC)</b>					
XPYII	100VDC	PTGWD100XPS	1,338	N5	9
XPYII	100VDC	BTGWD100XPS	1,011	N5	2
XPYII	50VDC	PTGWD50XPS	1,338	N5	10
XPYII	50VDC	BTGWD50XPS	1,011	N5	2
<b>Encoder Based Digital PY Flange Mount</b>					
DPY	1024PPR	PTG1024LD (a)	1,578	N5	1
<b>Electrically Isolated Encoder</b>					
E-ACC	1024PPR	ENC00NV (a) (b)	1,792	E8	2
<b>Metric Flange Mount (DC)</b>					
XPY	60VDC	PTG60XP-M (c)	1,210	N5	5
XPYII	60VDC	PTG60XPS-M (c)	1,257	N5	5
XPYII	60VDC	BTG60XPS-M (c)	850	N5	2
<b>Foot Mount (DC)</b>					
XPY	100VDC	PFTG100XP	1,210	N5	6
XPY	50VDC	PFTG50XP	1,210	N5	6
<b>Foot Mount with Face (DC)</b>					
XC42	100VDC	PFTG42100X	2,380	N5	33
XC42	50VDC	PFTG4250XC	2,432	N5	32
XC46	100VDC	PFTG46100X	4,184	N5	43
XC46	50VDC	PFTG4650XC	4,184	N5	44
<b>Pancake Mount (AC &amp; DC)</b>					
AC	45/90VAC	PTG4590AC (d) **	1,163	N5	8
NCS	50VDC	PTG50NC (d) **	1,736	N5	8

**NOTE:** Flange mounted tachs require tach adapters shown on pages 282 & 284. XPY tachs have UL listing, file number E109527, CSA file number LR36841-5, XPYII tachs are pending approval.

(a) See page 210 for cables.

(b) Electrically isolated encoder & kit: Mounts to Fort Mill DC motors using appropriate adapter shown on page 282 may eliminate the need for EXB00801 isolated encoder feedback board.

(c) Requires adapter for metric flange tach. Will not mount on adapters for PY flanges.

(d) Does not mount to TEFC. See catalog MN605 for details. Will only mount to DPGF and DPBV motors on pages 279 & 280 using adapters shown on page 282.

## Field Conversion Tach Mounting Kits for Permanent Magnet and Shunt Wound Motor

For PY Flange mounted BTG1000, XPY, XPYII and DPY tachometers

Complete kits consisting of fan cover (except TK3300), shaft extension coupling and tach adapter bracket with miscellaneous hardware. If you prefer, the conversion can be made by Baldor Mod Express. Tach kits will not work with Explosion Proof Motors (CDPX or CDX). See PY flange mount tachs shown on page 283.



Baldor Motor Type	Kit Catalog Number	List Price	Mult. Sym.	Ap'x. Shpg. Wgt.
3300P	TK3300	168	A8	1
3400D/P	TK3400	298	A8	4
3500D/P	TK3500	314	A8	9
3600D	TK3600	415	A8	5
3600P	TK3600PM	415	A8	3
7500D	TK7500	429	A8	17
9100D	TK9100	464	A8	23

HVAC Motors

Farm Duty Motors

Definite Purpose Motors

Brake Motors

200 &amp; 575 Volt Motors

IEC Frame Motors







50 Hertz Motors

Inverter/Vector Motors &amp; Controls

DC Motors and Controls

Soft Start &amp; Dynamic Brakes

### DC Drives Selection Chart

Single Phase DC			Three Phase DC		
BC	DC2	DC3	Series 19H Non-Regen	Series 20H Regen	FlexPak 3000 Non-Regen & Regen
					
<b>Main Attributes</b>					
29 models to choose from with extensive list of available options to fit greatest range of applications	Enhanced operating features including process signal speed ref. and torque control models. Simple set up and operation.	Lowest cost single phase DC family. Plate style and enclosed models available.	Digital DC Drive with standard armature voltage feedback or built in encoder feedback capability. Many options available include high resolution analog input and digital output boards.	Digital DC Drive; user friendly OIM; Quick Start set up and diagnostics menu.	
<b>Hp Range</b>					
1/100 thru 5	1/4 to 2	1/8 to 2	5 thru 300	1.5 to 600	
<b>Voltage Range</b>					
115/230 1-phase	115/230 1-phase	115/230 1-phase	230/460 3-phase	230/460 3-phase	
<b>Enclosure Selection</b>					
Chassis, NEMA 1, NEMA 4X	Chassis, NEMA 4X, NEMA 12	Chassis, NEMA 1, NEMA 4X, NEMA 12	Chassis	Chassis, NEMA 1 (with kit); IP00, IP20	
<b>Speed Control</b>					
Armature voltage or Tach	Armature voltage or Tach	Armature voltage or Tach	Armature voltage or Encoder feedback, standard	Armature voltage or Tach	
<b>Speed Regulation</b>					
1% of base speed, 1% of set speed with tach feedback	2% of base speed, 1% with tach feedback	Base speed, 1% or 0.1% with tach feedback	1% of base speed, 0.1% of set speed with encoder feedback	Base speed, 2% armature feedback, 1% with analog tach feedback, .01% with encoder feedback.	
<b>Speed Range</b>					
20:1 or 50:1	20:1 or 30:1	60:1	100:1 based on top speed and feedback type	100:1 based on top speed and feedback type.	
<b>Communications Options</b>					
None	None	None	RS-232 Serial, RS-422/485, Device Net, Modbus Plus, Profibus DP.	DeviceNet, ControlNet, Profibus DP, AutoMax, Interbus-S	
<b>Operator Interface</b>					
Local analog controls on enclosed models; analog and discrete remote control.	Local analog controls on enclosed models; analog and discrete remote control.	Local analog controls on enclosed models; analog and discrete remote control.	Local keypad / display. 2 lines X 16 characters backlit LCD. 12 key membrane w/tactile response.	Local OIM (operator interface module), keypad with multi-line LCD display; remote mounting kit for standard OIM; CS300 PC software option	
<b>Differentiating Feature</b>					
HP range available from 1/100 through 5.	OEM feature/benefits, application flexibility.	Economical, Isolated analog speed ref. signal input models available without need for option kits.	High peak overload rating up to 300%. 15 preset speeds. 9 assignable digital inputs.	Extensive option list including: NEMA 1 enclosure kit, AC line disconnect kit, Blower Motor Starter, DB, OIM Remote mounting kit.	

HVAC Motors

Farm Duty Motors

Definite Purpose Motors

Brake Motors

200 & 575 Volt Motors

IEC Frame Motors

50 Hertz Motors

Inverter/Vector Motors & Controls

DC Motors and Controls

Soft Start & Dynamic Brakes



### Fractional Horsepower DC Speed Controls for PMDC Motors

1/15 thru 1/4

115 VAC Single Phase 50/60 Hz.

**Applications:** Conveyors, machine tools and other applications requiring adjustable speed.

**Features:** Simple DC motor control with built-in circuit breaker, center lock reversing switch (center off), on/off switch, 7 foot SJO oil resistant cord, and variable voltage transformer for manual speed adjustment. NEMA 1 enclosure is standard. CSA list file # LR54532.



Max Hp	Catalog Number	List Price	Mult. Sym.	Ap'x Shpg. Wgt.	Amp Capacity	Input Voltage
1/15	BC110	490	E9	5	1.0	115VAC
1/8	BC115	523	E9	6	1.5	115VAC
1/4	BC130	666	E9	10	3.0	115VAC

### NEMA 1 Enclosed DC Controls for PMDC and Shunt Wound Motors

1/100 thru 2 Hp

115/230 VAC Single Phase 50/60 Hz.

**Applications:** General purpose industrial use with permanent magnet or shunt wound DC motors.

**Features:** SCR controls have a free-wheeling diode and feature adjustable accel, decel, current limit, IR comp, min. and max speed pots to match applications. The anti-demag feature protects PM motors and helps protect the SCR power bridge against direct shorts. The controls have US and Canadian UL component recognition.

A Plug-in Horsepower Resistor® and armature fuse **must** be ordered and installed in BC138, BC139, BC140, BC140-FBR, BC141 and BC142.



BC140 ENCLOSED (NEMA 1)

Hp Range	Catalog Number	List Price	Mult. Sym.	Ap'x Shpg. Wgt. Lbs.	Input Voltage
1/100-1/3	BC138	194	E9	1	115
1/50-3/4	BC139	194	E9	1	230
1/100-2 (a)	BC140	329	E9	3	115/230
1/100-2 (a)	BC140-FBR	455	E9	3	115/230

**NOTE:** (a) 1 Hp at 115V and 2 Hp at 230V requires BC143 heatsink kit. See page 290 for features. FBR=Forward/Brake/Reverse.

### DC Control Accessories

Catalog Number	Description	List Price	Mult. Sym.	Ap'x. Shpg. Wgt.
BC24-LF	Ac Line Filter for use with CE Applications	66	E9	1
BC143	External Heatsink Kit (BC140, BC140-FBR, BC141, BC142, BC204)	63	E9	2
BC144	Forward-Brake-Reverse Switch Kit for BC140	110	E9	1
BC145	Signal Isolator Board	187	E9	1
BC146	Current Sensing Relay/Overload Protector	121	E9	1
BC147	Barrier Terminal Board (BC141 and BC142)	26	E9	1
BC148	Replacement Potentiometer Kit (5K ohm)	11	E9	1
BC149	Knob and Dial Kit	12	E9	1
BC152	Barrier Terminal Board With Signal Isolator (BC141 and BC142)	172	E9	1
BC218	DIN-rail mounting kit for BC141, BC142 or BC204	31	E9	1

**NOTE:** BC24-LF is an AC line filter required for applications where CE is required if the control is not filtered elsewhere in the application. This filter may be used on most 115 or 230 VAC, single phase applications where CE is required.

HVAC Motors

Farm Duty Motors

Definite Purpose Motors

Brake Motors

200 & 575 Volt Motors

IEC Frame Motors

50 Hertz Motors

Inverter/Vector Motors & Controls

DC Motors and Controls

Soft Start & Dynamic Brakes

### Chassis Mount DC Controls

1/100 thru 1.5 Hp  
1/50 thru 5 Hp

115 VAC Single Phase 50/60 Hz.  
230 VAC Single Phase 50/60 Hz.



BC141 / BC142

**Applications:** General purpose industrial use with permanent magnet or shunt wound DC motors.

**Features:** Chassis-mount SCR controls have a free-wheeling diode and feature adjustable accel, decel, current limit, IR comp, min and max speed pots to match applications. The anti-demag feature protects PM motors and helps protect the SCR power bride against direct shorts. The controls have US and Canadian UL component recognition.

Hp Range	Catalog Number	Description Input Voltage / Max. Hp	List Price	Mult. Sym.	Ap'x. Shpg. Wgt.	Input Voltage
1/100-1 1/2 (a)	<b>BC141</b>	Standard Model, single voltage	180	E9	1	115
1/100-1 1/2	<b>BC141-SIH</b>	BC141 with BC152 Signal Isolator and BC143 Heatsink factory installed	425	E9	2	115
1/100-3 (a)	<b>BC142</b>	Standard Model, single voltage	180	E9	2	230
1/100 - 3	<b>BC142-SIH</b>	BC142 with BC152 Signal Isolator and BC143 Heatsink factory installed	445	E9	2	115/230
1/100-1 1/2 (a) 1/50-3	<b>BC142-5</b>	Dual voltage, without fuse holders	180	E9	1	115/230
1/100 - 1 1/2 (a) 1/50 - 3	<b>BC142-6</b>	Standard Model, dual voltage	198	E9	1	115/230
1/100 - 1 1/2 1/50 - 3	<b>BC142-6-SIH</b>	BC142-6 with BC152 signal isolator board and BC143 heatsink factory installed	445	E9	1	115/230
5	<b>BC155</b>	120V - 1 Hp, 230V - 2 Hp	588	E9	5	230

**NOTE:** Above controls include 5k speed potentiometer.

(a) 1-1.5 Hp at 115 Volts and 2-3 Hp at 230 Volts, requires BC143 Heatsink kit.

BC155 Includes integral heatsink. Please refer to page 291 for features.

### Plug-in Horsepower Resistor and Fuse Kit



A Plug-in Horsepower Resistor® and armature fuse **must** be ordered and installed in BC138, BC139, BC140, BC140-FBR, BC141 and BC142.

These should be selected based on the motor's **rated current**. The price of the Hp resistor and fuse is included in the BC138, BC139, BC140, BC140-FBR, BC141 and BC142 list price.

See selection below for catalog number.

Spare resistor kits are available for \$9.00 list, **E9** multiplier.

Motor Hp Armature Voltage		Plug-In Hp Resistor Resistance Value (Ohms)	Catalog Number	Ap'x DC Current (Amps)	DC Fuse Rating For Armature
90-130V	180V				
1/100	1/50	1.0	<b>BR1000</b>	0.20	0.5
1/50	1/25	0.51	<b>BR0510</b>	0.30	0.5
1/30	1/15	0.35	<b>BR0350</b>	0.33	0.5
1/20	1/10	0.25	<b>BR0250</b>	0.5	0.75
1/15	1/8	0.25	<b>BR0251</b>	0.8	1.0
1/12	1/6	0.18	<b>BR0180</b>	0.85	1.25
1/8	1/4	0.1	<b>BR0100</b>	1.3	2.0
1/6	1/3	0.1	<b>BR0101</b>	2.0	2.5
1/4	1/2	0.05	<b>BR0050</b>	2.5	4.0
1/3	3/4	0.035	<b>BR0035</b>	3.3	5.0
1/2	1	0.025	<b>BR0025</b>	5.0	8.0
3/4	1 1/2	0.015	<b>BR0015SP</b>	7.5	12.0
1 (a)	2 (a)	0.01	<b>BR0010SP</b>	10	15.0
1 1/2 (a)	3 (a)	0.006	<b>BR0006</b>	15	25.0 (b)

**NOTE:** (a) External Heatsink required. (b) Also used with AC Line Fuse. For AC line fuse rating see manual.

HVAC Motors

Farm Duty  
Motors

Definite Purpose  
Motors

Brake Motors

200 & 575 Volt  
Motors

IEC Frame  
Motors

50 Hertz  
Motors

Inverter/Vector  
Motors & Controls

DC Motors  
and Controls

Soft Start &  
Dynamic Brakes

### NEMA 4X DC Control and Accessories

**1/4 thru 2 Hp    115/230 VAC    Single Phase 50/60 Hz.**  
**3 Hp                    230 VAC                    Single Phase 50/60 Hz.**

**Applications:** Constant torque, new or replacement.

**Features:** BC154, BCWD140 and BC160 are non-regen controls with reversal by means of switching the armature leads (BCWD140 has a forward/brake/reverse switch mounted). BC254 is a line regenerative SCR control that can drive the motor to a timed stop. BC354 is a PWM control that provides low-ripple DC power to the motor allowing more Hp when used with a 140 or 280 VDC motor. All offer a choice of armature or tachometer feedback and a speed or torque mode. No Hp resistors are needed for these controls, current is jumper selectable. BC154, BC160, BC254 and BC354 are painted black and come with a start-stop switch. BCWD140 comes with white epoxy paint and also forward/brake/reverse and run-jog switches. See pages 290-291 for features.



Hp Range	Catalog Number	Description Input Voltage / Max. Hp	List Price	Mult. Sym.	Ap'x. Shpg. Wgt.	Input Voltage
<b>NEMA 4X SCR (black)</b>						
1/4-2	<b>BC154</b>	Standard model - 120V - 1 Hp, 230V - 2 Hp	416	E9	5	115/230
	<b>BC154-P</b>	BC154 with POWER SWITCH instead of START/STOP SW.	416	E9	5	115/230
	<b>BC154-R</b>	BC154 with BC156 - FBR Switch factory installed	550	E9	5	115/230
	<b>BC154-SI</b>	BC154 with BC145 Signal Isolator Board and BC158 Auto/Man Switch kit factory installed	670	E9	5	115/230
3	<b>BC160</b>	230V - 3 Hp	479	E9	3	230
<b>NEMA 4X Washdown Duty SCR (white)</b>						
1/4-2	<b>BCWD140</b>	120V - 1 Hp, 230V - 2 Hp	557	E9	6	115/230
<b>NEMA 4X Washdown Duty Line Regen SCR (black)</b>						
1/8-2	<b>BC254</b>	120V - 1 Hp, 230V - 2 Hp (a)	599	E9	5	115/230
	<b>BC254-FBR</b>	BC254 with BC253 FWD-BRAKE-REV switch factory installed	622	E9	5	115/230
<b>NEMA 4X Washdown Duty PWM DC (black) (b)</b>						
1/4-2	<b>BC354</b>	120V - 1 Hp, 230V - 2 Hp	645	E9	5	115/230

**NOTE:** (a) See page 289 for BC254 accessories.

(b) Output current is 7.5 amps; Output voltage is 140VDC for 115VAC input - 280VDC for 230VAC input. Motors designed for these voltages will give the best performance.

### DC SCR NEMA 4X DC Control Accessories

Catalog Number	Description	List Price	Mult. Sym.	Ap'x. Shpg. Wgt.
<b>BC153</b>	Electronic Forward-Dynamic Brake-Reverse Kit for BC154, BC354	198	E9	1
<b>BC156</b>	Mechanical Forward-Dynamic Brake-Reverse Switch for BC154, BC354	128	E9	1
<b>BC157</b>	Run/Jog switch for BC154 & BC160, BC354	23	E9	1
<b>BC158</b>	Auto/Manual Installation Kit for BC145 signal isolator for BC154, BC160, BC354	53	E9	1
<b>BC159</b>	AC Line Switch Kit for BC154, BCWD140, BC254, BC354	28	E9	1
<b>BC145</b>	Signal Isolator Board	187	E9	1

**NOTE:** BC159 AC Line Switch Kit is factory installed on BC154, BCWD140, BC354. Listed here as replacement or spare parts.

HVAC Motors  
Farm Duty Motors  
Definite Purpose Motors  
Brake Motors  
200 & 575 Volt Motors  
IEC Frame Motors  
50 Hertz Motors  
Inverter/Vector Motors & Controls  
DC Motors and Controls  
Soft Start & Dynamic Brakes

### Line Regenerative DC Controls and Accessories



**1/4 thru 3 Hp  
5 Hp**

**115/230 VAC  
230 VAC**

**Single Phase 50/60 Hz.  
Single Phase 50/60 Hz.**

**Applications:** Frequent start/stop/reverse applications or where controlled braking is required.

**Features:** Single phase line regenerative open chassis control to operate permanent magnet or wound field DC motors. These line regen controls are ideal for applications with overhauling loads. In torque mode, it can be used for tensioning applications. Several accessory boards are available to further customize the control. Includes 5k speed potentiometer. Jumper selectable current settings.

Hp Range	Catalog Number	Description Input Voltage / Max. Hp	List Price	Mult. Sym.	Ap'x. Shpg. Wgt.	Input Voltage
<b>Line Regen SCR</b>						
1/8-2 (a)	<b>BC204</b>	120V 1 Hp, 230V 2 Hp, Standard Model	336	E9	3	115/230
	<b>BC204-BPSI</b>	BC204 with BC215 Bi-polar Signal Isolator factory installed	434	E9	3	
1/4-2	<b>BC200</b>	120V 1 Hp, 230V 2 Hp	628	E9	4	115/230
1/4-3	<b>BC201</b>	120V 1-1/2 Hp, 230V 3 Hp	746	E9	1	115/230
5	<b>BC203</b>	230V 5Hp	939	E9	10	230
<b>NEMA 4X Washdown Duty Line Regen SCR</b>						
1/8-2	<b>BC254</b>	120V - 1Hp, 230V - 2Hp Standard Model	599	E9	5	115/230
	<b>BC254-FBR</b>	BC254 with Power On/Off switch instead of Start/Stop switch, and BC253. Forward-Brake-Reverse switch factory installed	622	E9	5	115/230

**NOTE:** (a) 1 Hp at 115 volts and 2 Hp at 230 volts requires BC143 heatsink kit.

### Line Regenerative DC Control Accessories

Catalog Number	Description	List Price	Mult. Sym.	Ap'x. Shpg. Wgt.
<b>Accessories for BC200, BC201 and BC203</b>				
<b>BC212</b>	Bipolar signal isolator board	192	E9	1
<b>Accessories for BC204</b>				
<b>BC143</b>	External Heatsink Kit	63	E9	2
<b>BC215</b>	Bipolar signal isolator board	89	E9	3
<b>BC216</b>	Multispeed board for BC204	68	E9	1
<b>BC218</b>	DIN rail mounting kit	31	E9	1
<b>Accessories for BC254</b>				
<b>BC245</b>	Bipolar signal isolator for BC254	189	E9	1
<b>BC253</b>	Forward-Stop-Brake-Reverse Switch for BC254	23	E9	1
<b>BC258</b>	Auto-manual Switch for BC254	53	E9	1
<b>BC259</b>	AC Line Switch for BC254	23	E9	5

HVAC Motors

Farm Duty Motors

Definite Purpose Motors

Brake Motors

200 & 575 Volt Motors

IEC Frame Motors

50 Hertz Motors

Inverter/Vector Motors & Controls

DC Motors and Controls

Soft Start & Dynamic Brakes

### NEMA Enclosed DC Control Specifications

Features	Catalog Number											
	BC138		BC139		BC140 or BC140-FBR		BC154		BC160		BCWD140	
Enclosure	NEMA 1		NEMA 1		NEMA 1		NEMA 4X		NEMA 4X		NEMA 4X Washdown	
Control Type	NEMA K		NEMA K		NEMA K		NEMA K		NEMA K		NEMA K	
AC Line Input	115		230		115 230		115 230		230		115 230	
DC Armature Voltage Nominal	90		180		90 180		90 180		180		90 180	
Shunt Field Power Supply												
Voltage - DC	50/100		100/200		50/100 100/200		50/100 100/200		100/200		50/100 100/200	
Rated Horsepower Range	1/100 - 1/3		1/50-3/4		1/100-1 1/50-2		1/50-1 1/25-2		3		1/50-1 1/25-2	
External Heat Sink (BC143) Required	No		No		1 Hp 2Hp		Not Required		Not Required		Not Required	
Speed Range (Motor May Be 20: 1 Constant Torque)	50:1		50:1		50:1		50:1		50:1		50:1	
Adjustable Acceleration Time	Yes		Yes		Yes		Yes		Yes		Yes	
Adjustable Deceleration Time	Yes		Yes		Yes		Yes		Yes		Yes	
Minimum Speed Adjustable	Yes		Yes		Yes		Yes		Yes		Yes	
Maximum Speed Adjustable	Yes		Yes		Yes		Yes		Yes		Yes	
Current Limit Adjustable	Yes		Yes		Yes		Yes		Yes		Yes	
Adjustable Current Limit and Trip Out Type	No		No		No		Timed or Non-Timed		Timed or Non-Timed		Timed or Non-Timed	
Control Of Speed or Torque	Speed		Speed		Speed		Speed or Torque		Speed or Torque		Speed or Torque	
IR Compensation Adjustable	Yes		Yes		Yes		Yes		Yes		Yes	
Tachometer Feedback Input	No		No		No		Yes		Yes		Yes	
Plug-In Horsepower Resistor ®	Required		Required		Required		N/A		N/A		N/A	
UL & cUL Listing, CE	Yes		Yes		Yes		Yes		Yes		Yes	
AC Line Fuse	Included		Included		Included		External		External		External	
DC Armature Fuse	Included with Hp Resistor		Included with Hp Resistor		Included with Hp Resistor		Not Supplied with Control		External		Not Supplied with Control	
<b>Options</b>												
AC Line Switch	Standard		Standard		Standard		Opt - BC159		No		Standard	
Forward/Brake/Reverse Switch												
Mechanical	No		No		Opt-BC144		Opt-BC156		No		Standard	
Electronic	No		No		No		Opt-BC153		No		Opt-BC153	
Run/Jog Switch	No		No		No		Opt-BC157		Opt-BC157		Standard	
Input Signal							Internal		Internal		External	
Following Mode Capability							Mount		Mount		Mount	
Current (1-5, 4-20, 20-50mA)	No		No		Opt-BC145		Opt-BC145		Opt-BC145		Opt-BC145	
Voltage (0-25,0-120, VDC)							Opt-BC145		Opt-BC145		Opt-BC145	
Electrical Connection To Control Barrier Terminal Block	Standard		Standard		Standard		Standard		Standard		Standard	
Current Sensing Relay/Overload Protector	No		No		Opt - BC146		Standard		Standard		Standard	
AC Line Filter for CE	Opt-BC24-LF		Opt-BC24-LF		Opt-BC24-LF		Opt-BC24-LF		Opt-BC24-LF		Opt-BC24-LF	

HVAC Motors

Farm Duty Motors

Definite Purpose Motors

Brake Motors

200 & 575 Volt Motors

IEC Frame Motors

50 Hertz Motors

Inverter/Vector Motors & Controls

DC Motors and Controls

Soft Start & Dynamic Brakes

### Chassis Mount DC Control Specifications

Features	Catalog Number									
	BC141	BC142	BC142-6		BC155	BC204		BC200	BC201	BC203
Enclosure	Chassis	Chassis	Chassis		Chassis	Chassis		Chassis	Chassis	Chassis
Control Type	NEMA K	NEMA K	NEMA K		NEMA K	Regenerative		Regenerative	Regenerative	Regenerative
AC Line Input	115	230	115	230	230	115	230	115	230	230
DC Armature Voltage Nominal	90	180	90	180	180	90	180	90	180	180
Shunt Field Power Supply Voltage - DC	50/100	100/200	50/100		50/100	50/100		50/100	100/200	100/200
Rated Horsepower Range	1/100-1.5	1/50-3	1/100-1 1/2		5	1/8-1	1/4-1	1/4-1-1/2	1/2-2	5
External Heat Sink (BC143) Required	1 Hp-Up	2 Hp-Up	1/2 Hp-Up		Not Required	90V-1Hp	Not	Not	Not	Not
Speed Range (Motor may be 20:1 Constant Torque)	50:1	50:1	50:1		50:1	50:1	50:1	50:1	50:1	50:1
Adjustable Acceleration	Yes	Yes	Yes		Yes	Yes	Yes	Yes	Yes	Yes
Adjustable Deceleration	Yes	Yes	Yes		Yes	Fwd & Rev Regen	Fwd & Rev Regen	Fwd & Rev Regen	Fwd & Rev Regen	Fwd & Rev Regen
Min. Speed Adjustable	Yes	Yes	Yes		Yes	No	No	No	No	No
Max. Speed Adjustable	Yes	Yes	Yes		Yes	Yes	Yes	Yes	Yes	Yes
Adjustable Current Limit and Tripout Type	Non Timed	Non Timed	Non Timed		Non Timed	Non Timed	Non Timed	Non Timed	Non Timed	Timed
Control of Speed or Torque	Speed	Speed	Speed		Speed	Speed or Torque	Speed or Torque	Speed or Torque	Speed or Torque	Speed
IR Compensation Adjustment	Yes	Yes	Yes		Yes	Yes	Yes	Yes	Yes	Yes
Tachometer Feedback Input	Yes	Yes	Yes		Yes	Yes	Yes	Yes	Yes	Yes
Plug-in Horsepower Resistor®	Required	Required	Required		N/A	N/A	N/A	N/A	N/A	N/A
UL & cUL Listing, CE	Yes	Yes	Yes		Yes	Yes	Yes	Yes	Yes	Yes
AC Line Fuse	Included	Included	Included		External	External	Included	Included	Included	External
DC Armature Fuse	Included with Hp Resistor	Included with Hp Resistor	Included with Hp Resistor		Included with Hp Resistor	External	External	Included with Hp Resistor	Included with Hp Resistor	External
<b>Options</b>										
Input Signal						No				
Following Mode Capability						Std	No	No	Std 0-±10VDC	
Current (1-5, 4-20, 20-50 mA)	Opt-BC145	Opt-BC145	Opt-BC145		Opt-BC145	Opt BC215	Std 0-±10 VDC	Std 0-±10 VDC	Opt-BC212	
Voltage (0-25, 0-120, VDC)	Opt-BC145	Opt-BC145	Opt-BC145		Std 0-10 VDC	with BC214	Opt-BC212	Opt-BC212		
Electrical Connection										
To Control										
Push-On Quick Connects	Standard	Standard	Standard		No	Standard	No	No	Standard	
Barrier Terminal Block	Opt-BC147	Opt-BC147	Opt-BC147		Standard	N/A	Standard	Standard		
Current Sensing Relay/ Overload Protector	Opt-BC146	Opt-BC146	Opt-BC146		Opt-BC146	N/A	Standard	Standard	Standard	
Regenerative							Opt	Opt	Opt	
Accel / Decel Board	No	No	No		No	No				
AC Line Filter for CE	Opt-BC24-LF	Opt-BC24-LF	Opt-BC24-LF		Opt-BC24-LF	Opt-BC24-LF	Opt-BC24-LF	Opt-BC24-LF	Opt-BC24-LF	

HVAC Motors

Farm Duty Motors

Definite Purpose Motors

Brake Motors

200 & 575 Volt Motors

IEC Frame Motors

50 Hertz Motors

Inverter/Vector Motors & Controls

DC Motors and Controls

Soft Start & Dynamic Brakes



### DC2 DC Drives for 1/4 thru 2 Hp PMDC and Shunt Wound Motors

**1/4-2 Hp      115/230 VAC      1 Phase 50/60 Hz.**

**Applications:** General purpose industrial use with Permanent Magnet or Shunt Wound DC Motors.

**Features:** General purpose industrial use. Available in open chassis, plate style, NEMA 12 or NEMA 4/4X. Operates from either local or remote operator controls for added mounting flexibility, (Note: reversing drives are local control only). All models have a single, surface mount design, printed circuit board. Jumper reconnection for Line voltage, Horsepower, Feedback, "S" curve, and Zero speed. Adjustments for Min and Max speed, Current Limit, IR drop Compensation, and Accel/Decel rate. 20:1 constant torque speed range, 30:1 constant torque speed range with tachometer feedback.



**1/4 - 1Hp @ 115 VAC 90 VDC Armature, 50 VDC Field <sup>(a)</sup>**  
**1/2 - 2Hp @ 230 VAC 180 VDC Armature, 100 VDC Field <sup>(a)</sup>**

Regulator Type	Catalog Number	List Price	Mult. Sym.	BC Series Alternate <sup>(b)(e)</sup>
<b>Open Chassis, DC2 Series 40</b>				
Basic Regulator	<b>DC2-40U</b>	357	VS3DC	BC140 + BC143
Basic Regulator with Instrument Interface <sup>(b)</sup>	<b>DC2-42U</b>	438	VS3DC	BC140 + BC143 + BC145
Torque Regulator	<b>DC2-43U</b>	400	VS3DC	
<b>Plate Controller, DC2 Series 50 <sup>(c)</sup></b>				
Basic Regulator	<b>DC2-50U</b>	297	VS3DC	BC142-6 + BC143
Basic Regulator with Instrument Interface <sup>(b)</sup>	<b>DC2-52U</b>	324	VS3DC	BC142-6 + BC143 + BC152
Torque Regulator with Instrument Interface <sup>(b)</sup>	<b>DC2-54U</b>	324	VS3DC	
<b>NEMA 12 Enclosure with Operator Control, DC2 Series 70</b>				
Basic Regulator	<b>DC2-70U</b>	405	VS3DC	BC154
Basic Regulator with Reversing	<b>DC2-71U <sup>(d)</sup></b>	524	VS3DC	BC154 + BC156 or order as BC154-R <sup>(f)</sup> with BC156-FBR Switch factory installed
Basic Regulator with Instrument Interface <sup>(b)</sup>	<b>DC2-72U</b>	550	VS3DC	BC154 + BC145 + BC158 or order as BC154-SI <sup>(f)</sup> with BC145, Signal Isolator Board, and BC158, Auto/Man Switch factory installed
Torque Regulator with Instrument Interface <sup>(b)</sup>	<b>DC2-74U</b>	562	VS3DC	BC154 + BC145 + BC158
<b>Easy Clean NEMA 4/4X/12 Enclosure, DC2 Series 80 Without Operator Control</b>				
Basic Regulator with Run/Jog	<b>DC2-80U</b>	405	VS3DC	
Basic Regulator with Instrument Interface <sup>(b)</sup>	<b>DC2-82U</b>	497	VS3DC	
<b>Easy Clean NEMA 4/4X/12 Enclosure, DC2 Series 90 With Operator Control</b>				
Basic Regulator	<b>DC2-90U</b>	427	VS3DC	BC154
Basic Regulator with Run/Jog	<b>DC2-99U</b>	486	VS3DC	BC154 + BC157
Basic Regulator with Reversing	<b>DC2-91U <sup>(d)</sup></b>	551	VS3DC	BC154 + BC156 or order as BC154-R <sup>(f)</sup> with BC156-FBR, Switch factory installed
Basic Regulator with Instrument Interface <sup>(b)</sup>	<b>DC2-92U</b>	551	VS3DC	BC154 + BC145 + BC158 or order as BC154-SI <sup>(f)</sup> with BC145, Signal Isolator Board and BC158 Auto/Man Switch factory installed
Basic Regulator with Reversing and Run/Jog	<b>DC2-98U <sup>(d)</sup></b>	594	VS3DC	BC154 + BC156 + BC157

**NOTE:** Conduit hole plugs are standard on NEMA 12K designs. Conduit hubs are standard on NEMA 4/12 designs only. Conduit hubs for either design can be ordered through Renewal Parts by referencing Reliance Part Number 608826-2A.

<sup>(a)</sup> Jumper selection for 115VAC / 90 VDC or 230 VAC / 180 VDC.

<sup>(b)</sup> Instrument Interface units also provide auxiliary control relay contact rated 0.6 Amps @ 125 VAC for customer use. Aux. relay not available on BC Series Signal Isolation Option Boards.

<sup>(c)</sup> DC2 Series 50 Drive must be mounted to a metal surface 18" by 18" to meet 1hp @115 VAC and 2HP @ 230 VAC or an optional heat sink (HS1-50) can be purchased.

<sup>(d)</sup> Switch reversing DC2 models include as standard an installed line fuse.

<sup>(e)</sup> Review dimensions and applications I/O functionality for complete compatibility. Contact your local district office for assistance.

<sup>(f)</sup> Catalog number indicates option kits factory installed for functional equivalent drive.

A transformer is mandatory for tachometer feedback operation using the Type RE-020 20.8 VDC/1000 RPM tachometer (Model Number R20E8000). The Type RE-007 (Model Number R07E1210) fully-isolated 7 VDC/1000 tachometer does not require an isolation transformer. Consult Instruction Manual D2-3231 for other recommended and mandatory use of isolation transformers.

### DC2 Accessories

Catalog Number	Description	List Price	Mult. Sym.
HS1-50	External Heatsink Kit for DC2-50 Series	108	VS3DC

### Customer Installed Fuse Kits

The DC2 Drives are not supplied with line fuses. If needed, order the model number Fuse Kit below to match the DC2 drive selected.

Drive Style	DC2-Series	Catalog Number	List Price	Mult. Sym.
Open Chassis	40	F1DC2000	52	VS3DC
Plate Chassis	50	F2DC2000	108	VS3DC
NEMA 12K	70	F2DC2000	108	VS3DC
NEMA 4/12	80, 90	F2DC2000	108	VS3DC

### Mounting Dimensions

Drive Style	Outside		Mounting		
	Height Inches (mm)	Width Inches (mm)	Depth Inches (mm)	Height Inches (mm)	Width Inches (mm)
Enclosed DC2 Series 70, 80, and 90	10.125 (260)	5.0 (128)	5.5 (141)	9.625 (247)	5.0 (128)
Open Chassis DC2 Series 40	7.875 (200)	5.0 (128)	4.875 (125)	7.375 (188)	5.0 (128)
Plate Style, Open Chassis DC2 Series 50	6.25 (159)	6.0 (152)	2.5 (64)	6.25 (159)	6.0 (152)

### DC2 Drive Ratings

Motor HP	AC Input Voltage (Volts AC)	Rated AC Line Amps*	Input KVA	DC Armature Voltage	Rated Armature Current (Amps)	Available Field Voltage	Rated Field Current (Amps)
1/4	115	3.1	0.36	90	2.5	50	2
	—	—	—	—	—	—	—
1/3	115	4.2	0.48	90	3.7	50	2
	—	—	—	—	—	—	—
1/2	115	6.2	0.71	90	5	50	2
	230	3.1	0.71	180	2.5	100	2
3/4	115	9.4	1	90	7.5	50	2
	230	4.7	1	180	3.7	100	2
1**	115	12.5	1.4	90	10	50	2
	230	6.2	1.4	180	5	100	2
1 1/2	—	—	—	—	—	—	—
	230	9.4	2.2	180	7.5	100	2
2**	—	—	—	—	—	—	—
	230	12.5	2.9	180	10	100	2

**NOTE:** \* Includes motor field current

\*\* DC2 Series 50 designs must be mounted to a metal plate heatsink, 18" x 18", to meet 1 Hp @ 115 VAC and 2 Hp at 230 VAC, or an optional heat sink (HS1-50) may be purchased.

HVAC Motors

Farm Duty Motors

Definite Purpose Motors

Brake Motors

200 & 575 Volt Motors

IEC Frame Motors

50 Hertz Motors

Inverter/Vector Motors & Controls

DC Motors and Controls

Soft Start & Dynamic Brakes

### DC3 DC Drives Fractional to 2HP for Non-Regen and Regen Applications

**115/230 VAC    1 Phase 50/60 Hz.**

**Applications:** General purpose industrial use with Permanent Magnet or Shunt Wound DC Motors.

**Features:** DC3 drives are available in plate style, NEMA 1 or NEMA 4X/12. Non-Regen and Regen types available to fill many applications. Every DC3 product carries UL, cUL, and CE certification labels. Plate drives are designed for mounting and integration into cabinets/enclosures. Plate models also include a 10K ohm speed pot for customer use.

**Standard Specifications:**

- AC line voltage variation – ±10% of selected input.
- AC line input frequency variation – 48 to 62 Hz.
- Output voltage – 0 to 90 VDC @ 115 VAC input, and 0 to 180 VDC @ 230 VAC input.
- Overload Capacity – 150% for 1 minute.
- Ambient temperature – -10°C to 55°C plate style. -10°C to 45°C enclosed.
- Elevation – 1000 meters without derating. (Derate 1% for every 90 meters above 1000 m)



### DC3N Non-Regenerative DC Drives 1/8 - 1Hp @ 115 VAC, 1-Ph, 50/60 Hz, 90 VDC Armature 1/4 - 2Hp @ 230 VAC, 1-Ph, 50/60 Hz, 180 VDC Armature

Hp - Rating		Catalog Number	"Non-Isolated" Controller Selection – DC3N Chassis Model – 115/230 VAC, 1 Phase, 50/60 Hz For the Operation of Permanent Magnet DC Motors Only							
115 VAC Input	230 VAC Input		Chassis Type	Rated AC Line (Amps)	Input KVA	DC Armature Voltage	Rated Armature Current (Amps)	List Price	Mult. Sym.	BC Series Alternate (a)
1/8 to 1/2	—	DC3N-12D-00-010-AN	Plate	4.5 to 7.8	0.5 to 0.9	90	2.7 to 5.0	160	VS3DC	BC142-5 (b)
1/2 to 1.0	—		Plate	7.8 to 13	0.9 to 1.5	90	5.0 to 10*			
—	1/2 to 1.0		Plate	2.6 to 7.0	0.6 to 1.6	180	1.4 to 5.0			
—	1.0 to 2.0		Plate	7.0 to 12	1.6 to 2.8	180	5.0 to 9.2 *			

**NOTE:** \* Requires addition of Heatsink Kit Option: DC3N-HS-00 List Price: \$98.00.  
External isolated reference source, 90 VDC Armature: 0-1.4 VDC reference and 180 VDC: 0-2.8 VDC reference.  
Instruction manual D2-3451  
(a) Review dimensions and application I/O functionality for complete compatibility. Contact your local district office for assistance.  
(b) BC143 Heatsink option required for 1 Hp @ 115 VAC or 2 Hp @ 230 VAC rating.

### DC3N Plate Style Overall Dimensions

Height Inches (mm)	Width Inches (mm)	Length Inches (mm)
1.60 (41)	4.30 (109)	3.58 (91)

HVAC Motors

Farm Duty Motors

Definite Purpose Motors

Brake Motors

200 & 575 Volt Motors

IEC Frame Motors

50 Hertz Motors

Inverter/Vector Motors & Controls

DC Motors and Controls

Soft Start & Dynamic Brakes

### DC3N Non-Regenerative DC Drives



**1/8 - 1Hp @ 115 VAC, 1-Ph, 50/60 Hz, 90 VDC Armature**  
**1/4 - 2Hp @ 230 VAC, 1-Ph, 50/60 Hz, 180 VDC Armature**

Hp Rating		Catalog Number	"Non-Isolated" Controller Selection – DC3N Enclosed Models – 115/230 VAC, 1 Phase, 50/60 Hz For the Operation of Permanent Magnet DC Motors Only							
115 VAC Input	230 VAC Input		Enclosure Type	Rated AC Line (Amps)	Input KVA	DC Armature Voltage	Rated Armature Current (Amps)	List Price	Mult. Sym.	BC Series Alternate (a)
1/8 to 1/2	—	DC3N-12D-01-010-AN	NEMA 1	4.5 to 7.8	0.5 to 0.9	90	2.7 to 5.0	250	VS3DC	BC140 + BC143 (b)
1/2 to 1.0	—		NEMA 1	7.8 to 13	0.9 to 1.5	90	5.0 to 10 **			
—	1/2 to 1.0		NEMA 1	2.6 to 7.0	0.6 to 1.6	180	1.4 to 5.0			
—	1.0 to 2.0		NEMA 1	7.0 to 12	1.6 to 2.8	180	5.0 to 9.2 **			
1/8 to 1/2	—	DC3N-12D-4X-010-AN	NEMA 4X/12	4.5 to 7.8	0.5 to 0.9	90	2.7 to 5.0	360	VS3DC	BC154 or order as BC 154-P (c) with Power On/Off switch factory installed in place of Start/Stop switch
1/2 to 1.0	—		NEMA 4X/12	7.8 to 13	0.9 to 1.5	90	5.0 to 10			
—	1/2 to 1.0		NEMA 4X/12	2.6 to 7.0	0.6 to 1.6	180	1.4 to 5.0			
—	1.0 to 2.0		NEMA 4X/12	7.0 to 12	1.6 to 2.8	180	5.0 to 9.2			

**NOTE:** \*\* Requires addition of Heatsink Kit Option: DC3N-HS-01 List Price: \$124.00  
 External isolated reference source, 90 VDC Armature: 0-1.4 VDC reference and 180 VDC: 0-2.8 VDC reference  
 Instruction manual D2-3451

- (a) Review dimensions and application I/O functionality for complete compatibility. Contact your local district office for assistance.
- (b) BC143 Heatsink option required for 1 Hp @ 115 VAC or 2 Hp @ 230 VAC rating.
- (c) Catalog number indicates option kits factory installed for functional equivalence.

### DC3N Non-isolated Enclosed Style Overall Dimensions

Enclosure Style	Overall		
	Height Inches (mm)	Width Inches (mm)	Depth Inches (mm)
NEMA 1	8.00 (203)	6.00 (152)	3.46 (88)
NEMA 4X/12	8.20 (208)	6.90 (175)	4.50 (114)
Heatsink	Height Inches (mm)	Width Inches (mm)	Length Inches (mm)
DC3N-HS-00	1.0 (25)	4.40 (112)	6.90 (175)
DC3N-HS-01	1.0 (25)	7.78 (198)	6.90 (175)

HVAC Motors

Farm Duty Motors

Definite Purpose Motors

Brake Motors

200 & 575 Volt Motors

IEC Frame Motors

50 Hertz Motors

Inverter/Vector Motors & Controls

DC Motors and Controls

Soft Start & Dynamic Brakes

### DC3N Non-Regenerative DC Drives



**1/8 - 1Hp @ 115 VAC, 1-Ph, 50/60 Hz, 90 VDC Armature**  
**1/4 - 2Hp @ 230 VAC, 1-Ph, 50/60 Hz, 180 VDC Armature**

Hp Rating		Catalog Number	"Isolated" Controller selection - DC3N Chassis and Enclosed- 115/230 VAC, 1 Phase, 50/60 Hz For the Operation of Permanent Magnet and Shunt wound DC Motors							
115 VAC Input	230 VAC Input		Enclosure Type	Rated AC Line (Amps)	DC Armature Voltage	Rated Armature Current (Amps)	Motor Field Voltage	List Price	Mult. Sym.	BC Series Alternate (a)
1/4 to 1	—	DC3N-12D-00-010-AI	Plate	4.5 to 13	90	2.7 to 10	50/100	356	VS3DC	BC142 + BC152 + BC143 (b) or order as BC141-SIH (c), (115VAC input) or BC142-SIH (c), (230VAC input) with BC152, Signal Isolator with Barrier Terminal Board and BC143 Heatsink factory installed
—	1/2 to 2		Plate	3.7 to 12	180	2.5 to 9.2	100/200			
1/4 to 1	—	DC3N-12D-4X-010-AI	NEMA 4X/12	4.5 to 13	90	2.7 to 10	50/100	529		BC154 + BC145 + BC158 or order as BC154-SI (c) with BC145 Signal Isolator Board and BC158 Auto/Man switch factory installed
—	1/2 to 2		NEMA 4X/12	3.7 to 12	180	2.5 to 9.2	100/200			

**NOTE:** Instruction manual D2-3452

- (a) Review dimensions and application I/O functionality for complete compatibility. Contact your local district office for assistance.
- (b) BC143 Heatsink option required for 1 Hp @ 115 VAC or 2 Hp @ 230 VAC rating.
- (c) Catalog number indicates option kits factory installed for functional equivalence.

### DC3N "isolated" Plate and Enclosed Style Overall Dimensions

Enclosure Style	Overall		
	Height Inches (mm)	Width Inches (mm)	Depth Inches (mm)
Plate	4.46 (113)	6.90 (175.26)	1.80 (46)
NEMA 4X/12	10.2 (260)	6.90 (175.26)	5.51 (140)

HVAC Motors

Farm Duty Motors

Definite Purpose Motors

Brake Motors

200 & 575 Volt Motors

IEC Frame Motors

50 Hertz Motors

Inverter/Vector Motors & Controls

DC Motors and Controls

Soft Start & Dynamic Brakes

### DC3R Regenerative DC Drives



**1/4 - 1Hp @ 115 VAC, 1-Ph, 50/60 Hz, 90 VDC Armature**  
**1/2 - 2Hp @ 230 VAC, 1-Ph, 50/60 Hz, 180 VDC Armature**

Hp Rating		Catalog Number	"Non-Isolated" Controller selection - DC3R Chassis model - 115/230 VAC, 1 Phase, 50/60 Hz For the Operation of Permanent Magnet and Shunt wound DC Motors							
115 VAC Input	230 VAC Input		Chassis Type	Rated AC Line (Amps)	DC Armature Voltage	Rated Armature Current (Amps)	Motor Field Voltage	List Price	Mult. Sym.	BC Series Alternate (a)
1/4 to 1/2	—	DC3R-12D-00-010-AN	Plate	4.2 to 7.5	90	2.7 to 5.0	50/100	398	VS3DC	BC204 (b)
1/2 to 1.0	—		Plate	7.5 to 12.1	90	5.0 to 10 ***	50/100			
—	1/2 to 1.0		Plate	3.8 to 6.7	180	2.5 to 5.0	100/200			
—	1.0 to 2.0		Plate	6.7 to 11.7	180	5.0 to 9.2***	100/200			
Hp Rating		Catalog Number	"Isolated" Controller selection - DC3R Chassis model - 115/230 VAC, 1 Phase, 50/60 Hz							
115 VAC Input	230 VAC Input		Chassis Type	Rated AC Line (Amps)	DC Armature Voltage	Rated Armature Current (Amps)	Motor Field Voltage	List Price	Mult. Sym.	BC Series Alternate (a)
1/4 to 1/2	—	DC3R-12D-00-010-AI	Plate	4.2 to 7.5	90	2.7 to 5.0	50/100	521	VS3DC	BC204 + BC215 + BC143 (b) or order as BC204-BPSI (c) with BC215 Bi-polar Signal Isolator
1/2 to 1.0	—		Plate	7.5 to 12.1	90	5.0 to 10***	50/100			
—	1/2 to 1.0		Plate	3.8 to 6.7	180	2.5 to 5.0	100/200			
—	1.0 to 2.0		Plate	6.7 to 11.7	180	5.0 to 9.2***	100/200			

**NOTE:** \*\*\*Requires addition of Heatsink Kit Option DC3R-HS-00. List Price, \$149.00

Drive instruction manual D2-3453

DC3R Isolation Board Option instruction manual D2-3454

(a) Review dimensions and application I/O functionality for complete compatibility. Contact your local district office for assistance.

(b) BC143 Heatsink option required for 1 Hp @ 115 VAC or 2 Hp VAC rating.

(c) Catalog number indicates option kits factory installed for functional equivalence.

### DC3R "Non-isolated" and "isolated" Plate Style Overall Dimensions

Style	Height Inches (mm)	Width Inches (mm)	Length Inches (mm)
Non-isolated	1.86 (47)	4.75 (120)	8.90 (226)
Isolated	3.12 (78)	4.75 (120)	8.90 (226)
<b>Heatsink</b>			
DC3R-HS-00	1.0 (25)	6.9 (175)	9.78 (248)

HVAC Motors

Farm Duty Motors

Definite Purpose Motors

Brake Motors

200 & 575 Volt Motors

IEC Frame Motors

50 Hertz Motors

Inverter/Vector Motors & Controls

DC Motors and Controls

Soft Start & Dynamic Brakes



### DC3R Regenerative DC Drives



**1/4 - 1Hp @ 115 VAC, 1-Ph, 50/60 Hz, 90 VDC Armature**  
**1/2 - 2Hp @ 230 VAC, 1-Ph, 50/60 Hz, 180 VDC Armature**

Hp Rating		Catalog Number	"Non-Isolated" Controller selection - DC3R Enclosed - 115/230 VAC, 1 Phase, 50/60 Hz For the Operation of Permanent Magnet and Shunt wound DC Motors							
115 VAC Input	230 VAC Input		Enclosure Type	Rated AC Line (Amps)	DC Armature Voltage	Rated Armature Current (Amps)	Motor Field Voltage	List Price	Mult. Sym.	BC Series Alternate (a)
1/4 to 1.0	—	DC3R-12D-4X-010-AN	NEMA 4X/12	4.2 to 12.1	90	2.7 to 10	50/100	675	VS3DC	BC254 + BC253 or order as BC254-FBR (b) with BC253 FWD-STOP-REV switch factory installed
—	1/2 to 2.0		NEMA 4X/12	3.8 TO 11.7	180	2.5 TO 9.2	100/200			

**NOTES:** Instruction manual D2-3453

(a) Review dimensions and application I/O functionality for complete compatibility. Contact your local district office for assistance.

(b) Catalog number indicates option kits factory installed for functional equivalence.

#### DC3R Enclosed Style NEMA 4X/12 Overall Dimensions

Height Inches (mm)	Width Inches (mm)	Depth Inches (mm)
10.2 (260)	6.90 (175.26)	5.51 (140)

### DC3R Regenerative DC Drives



**1/4 - 1Hp @ 115 VAC, 1-Ph, 50/60 Hz, 90 VDC Armature**  
**1/2 - 2Hp @ 230 VAC, 1-Ph, 50/60 Hz, 180 VDC Armature**

Hp Rating		Catalog Number	"Non-Isolated" Controller selection - DC3R Chassis model - 115/230 VAC, 1 Phase, 50/60 Hz For the Operation of Permanent Magnet and Shunt wound DC Motors						
115 VAC Input	230 VAC Input		Enclosure Type	Rated AC Line (Amps)	DC Armature Voltage	Rated Armature Current (Amps)	Motor Field Voltage	List Price	Mult. Sym.
1/4 to 1/2	—	DC3R-12D-4X-010-DN	NEMA 4X/12	4.2 to 7.5	90	2.7 to 5.0	50/100	855	VS3DC
1/2 to 1.0	—		NEMA 4X/12	7.5 to 12.1	90	5.0 to 10	50/100		
—	1/2 to 1.0		NEMA 4X/12	3.8 to 6.7	180	2.5 to 5.0	100/200		
—	1.0 to 2.0		NEMA 4X/12	6.7 to 11.7	180	5.0 to 9.2	100/200		

**NOTES:** Instruction manual D2-3455

#### DC3RD Enclosed Style NEMA 4X/12 Overall Dimensions

Height Inches (mm)	Width Inches (mm)	Depth Inches (mm)
10.2 (260)	6.90 (175)	5.50 (140)

HVAC Motors

Farm Duty Motors

Definite Purpose Motors

Brake Motors

200 & 575 Volt Motors

IEC Frame Motors

50 Hertz Motors

Inverter/Vector Motors & Controls

DC Motors and Controls

Soft Start & Dynamic Brakes



### Series 19H Digital DC Controls

5 thru 75Hp  
5 thru 300 Hp

180-264 VAC - 50/60 Hz  
340-528 VAC - 50/60 Hz



**Applications:** Constant torque applications. New installations, replacements and original equipment manufacturers (OEM).

**Features:** Chassis mounting, built-in armature or encoder feedback, high peak currents.

#### Design Specifications

- Three phase, full wave SCR armature control
- High peak overload, 250-300% (depending on rating)
- Selectable operating modes: Keypad; Standard Run, 15 Speed, Bipolar speed/torque; Serial; Process follower mode.
- Analog meter outputs
- Buffered encoder output
- 9 isolated inputs
- Chassis mounting

#### Operator Keypad

- Digital Speed Control
- Forward/Reverse Command
- Motor RUN and JOG
- Local/Remote Key
- Stop Command (coast or external DB to stop)
- 32 Character alpha-numeric display
- Remote mount to 100 feet from control
- NEMA 4X enclosure on keypad

#### Environmental and Operating Conditions

- Input Frequency - 50 or 60 Hz  $\pm$  5%
- Service factor - 1.0
- Duty - continuous
- Humidity - 90% max RH non-condensing
- Altitude - 3300 feet max without derate

#### Protective Features

- Control Input over and under voltage
- Encoder, tach or resolver loss
- Torque proving
- Selectable manual or automatic restart at power loss
- Digital display for fault conditions

#### Motor Feedback

- 1024 PPR standard (with quadrature)
- Power output: +5VDC, 300 mA max
- Max frequency: 1 MHz
- Optional feedback: tachometer or resolver through expansion board

<b>Output Ratings</b>	Voltage	DC - 0-1.3 times VAC input
<b>Input Ratings</b>	Frequency	50 or 60 Hz $\pm$ 5%
	Voltage	200-240 VAC $\pm$ 10%; 380-480 VAC $\pm$ 10%
	Phase	Three phase
<b>Control Spec.</b>	Impedance	5% maximum
	Control Method	Full wave-uni-directional DC control, NEMA type C
	Speed Setting	0-5VDC, 0-10VDC, 4-20 mA, digital via keypad, optional RS232/422/485
	Accel/Decel	0-3600 seconds (decel-coast or controlled by external DB resistors) - no S-curve decel
	Minimum Speed	0-maximum speed
	Maximum Speed	0-5000 RPM
	Motor Matching	Automatic tuning to motor with manual override
<b>Field Power Supply</b>	Type	Voltage limited, current regulated full wave single phase
	Voltage	0 to 10-85% of AC line Input in DC volts
	Current	0.1-15 Amps maximum-standard, 0.1-40 amps maximum-optional
	Field Economy Level	OFF, 25-100%
	Field Forcing Level	100-125% (hoist modes only)
<b>Motor Feedback</b>	Feedback Type	Armature or incremental encoder coupled to motor shaft
	Pulses/Rev	60-65535 selectable, 1024 standard
	Voltage Output	2 channel in quadrature, 5VDC differential
	Marker Pulse	Required for position orientation
	Power Input	5VDC, 300 mA maximum
	Maximum Frequency	1 MHz
	Optional Feedback	Tachometer or resolver via expansion board
<b>Protective Functions</b>	Control Trip	Missing control power, over current armature over voltage, motor overspeed over temperature (motor & control), field loss, encoder tach or resolver loss, phase loss, motor overload and overcurrent
	Fusing	Standard input line, armature and field power supply fuses
	External Output	LED indicator for trip conditions, 4 assignable logic outputs - 30VDC Max, 2 assignable analog outputs 0-5VDC
<b>LCD Display</b>	Running	Motor RPM, output current, voltage (selectable)
	Setting	Parameter values for setup and review
	Trip	Separate message for each trip, last 31 trips retained in memory
<b>Ambient Conditions</b>	Temperature	0-40°C for UL listing
	Cooling	Forced air included when required

**NOTE:** Use of DC tach for feedback requires DC Tachometer Interface Board, catalog number EXB006A01. Other expansion boards are available, see pages 253-254.

HVAC Motors

Farm Duty Motors

Definite Purpose Motors

Brake Motors

200 & 575 Volt Motors

IEC Frame Motors

50 Hertz Motors

Inverter/Vector Motors & Controls

DC Motors and Controls

Soft Start & Dynamic Brakes

### Series 19H Digital DC Controls continued...

Hp	Input Volt	Armature Output Current		Catalog Number	List Price	Mult. Sym.	Chassis Size
		Amps Cont	Amps Peak				
<b>230 Volt Input - 240 VDC Output</b>							
5	230	20	40	BC19H205-CO	5,005	E1	A
10	230	40	80	BC19H210-CO	5,005	E1	A
15	230	60	120	BC19H215-CO	5,378	E1	A
20	230	75	150	BC19H220-CO	5,814	E1	B
25	230	100	200	BC19H225-CO	6,124	E1	B
40	230	140	280	BC19H240-CO	7,853	E1	C
50	230	180	360	BC19H250-CO	8,444	E1	C
60	230	210	420	BC19H260-CO	9,330	E1	C
75	230	270	540	BC19H275-CO	10,117	E1	C
<b>460 Volt Input - 500 VDC Output</b>							
10	460	20	40	BC19H410-CO	5,097	E1	A
20	460	40	80	BC19H420-CO	5,097	E1	A
30	460	60	120	BC19H430-CO	5,503	E1	A
40	460	75	150	BC19H440-CO	5,950	E1	B
50	460	100	200	BC19H450-CO	6,262	E1	B
75	460	140	280	BC19H475-CO	8,257	E1	C
100	460	180	360	BC19H4100-CO	8,818	E1	C
125	460	210	419	BC19H4125-CO	9,701	E1	C
150	460	270	540	BC19H4150-CO	10,502	E1	C
200	460	350	875	BC19H4200-CO	12,876	E1	D
300	460	500	1000	BC19H4300-CO	17,256	E1	D

**OPTIONS:** See pages 253-254 for optional Expansion Boards including Tachometer Feedback, RS-232, RS-422, RS-485, Resolver, Interface, etc.  
40 Amp field power supply. FPS40BC1920

### Dimensions in/(mm)

Size	Hp	Outside			Mounting		Ap'x Shpg. Wgt.
		Height	Width	Depth	Height	Width	
<b>A</b>	ALL	20.60/(523.2)	11.00/(279.4)	9.87/(250.7)	18.00/(457.2)	10.25/(260.4)	39
<b>B 230V</b>	ALL	25.70/(652.8)	11.00/(279.4)	9.84/(249.9)	23.87/(606.3)	10.25/(260.4)	67
<b>B 460V</b>	ALL	26.75/(679.5)	11.00/(279.4)	9.84/(249.9)	24.94/(633.5)	10.25/(260.4)	69
<b>C 230V</b>	40-60	26.50/(673.1)	11.75/(298.5)	10.63/(270.0)	23.90/(607.0)	10.25/(260.4)	80
<b>C 460V</b>	75-100	27.25/(692.2)	11.75/(298.5)	10.63/(270.0)	24.65/(626.1)	10.25/(260.4)	84
<b>C 230V</b>	75	33.00/(838.2)	11.75/(298.5)	10.63/(270.0)	23.90/(607.6)	10.25/(260.4)	94
<b>C 460V</b>	125-200	33.75/(857.3)	11.75/(298.5)	10.63/(270.0)	24.65/(626.1)	10.25/(260.4)	97
<b>D</b>	ALL	43.80/(1112.5)	16.87/(428.5)	12.43/(315.7)	39.25/(997.0)	13.75/(349.3)	272

HVAC Motors

Farm Duty Motors

Definite Purpose Motors

Brake Motors

200 & 575 Volt Motors

IEC Frame Motors

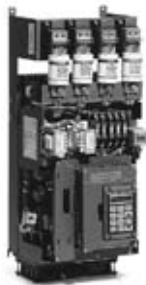
50 Hertz Motors

Inverter/Vector Motors & Controls

DC Motors and Controls

Soft Start & Dynamic Brakes

### Series 20H Line Regenerative Digital DC Controls



**5 thru 75Hp  
5 thru 300 Hp**

**180-264 VAC - 50/60 Hz  
340-528 VAC - 50/60 Hz**

**Applications:** Constant torque applications. New installations, replacements and original equipment manufacturers (OEM).

**Features:** Chassis mounting, built-in armature or encoder feedback. High peak current.

#### Design Specifications

- Three phase, full wave, four quadrant SCR armature control.
- Peak overload capacity of 250-300% (depending on rating)
- Selectable operating modes: Keypad, Standard Run, 15 Speed, Bipolar speed/torque, Serial, Bipolar Hoist, 7 Speed Hoist, process follower
- Motor shaft orient to encoder marker or external switch closure (encoder feedback)
- 15 preset speeds (7 in Hoist Mode.)

#### Operator Keypad

- Digital Speed Control
- Forward/Reverse Command
- Motor RUN and JOG
- Local/Remote Key
- Stop Command
- 32 Character alpha-numeric display
- Remote mount to 100 feet from control
- NEMA 4X enclosure on keypad

#### Environmental and Operating Conditions

- Input frequency - 50 or 60Hz  $\pm 5\%$
- Service factor - 1.0
- Duty - continuous
- Humidity - 90% max RH non-condensing
- Altitude - 3300 feet max without derate

#### Protective Features

- Torque proving
- Selectable manual or automatic restart at power loss
- Digital display for fault conditions

#### Motor Feedback

- Power output: +5VDC, 300 mA max
- Positioning: Buffered encoder pulse train output for position loop control
- Optional feedback: tachometer or resolver through expansion board

<b>Output Ratings</b>	Voltage	DC 0-1.13 times VAC input
<b>Input Ratings</b>	Frequency	50 or 60 Hz $\pm 5\%$
	Voltage	200-240 VAC $\pm 10\%$ ; 380-480 VAC $\pm 10\%$
	Phase	Three phase
<b>Control Spec.</b>	Impedance	5% maximum
	Control Method	Full wave-bi-directional regenerative DC control, NEMA type C
	Speed Setting	$\pm 5\text{VDC}$ , 0-5VDC, $\pm 10\text{VDC}$ , 0-10VDC, 4-20 mA, digital via keypad, optional RS232/422/485
	Accel/Decel	0-3600 seconds or s-curve
	Minimum Speed	0-maximum speed
	Maximum Speed	0-5000 RPM
	Motor Matching	Automatic tuning to motor with manual override
<b>Field Power Supply</b>	Type	Voltage limited, current regulated full wave single phase
	Voltage	0 to 10-85% of AC line Input in DC volts
	Current	0.1-15 Amps maximum-standard, 0.1-40 amps maximum-optional
	Field Economy Level	OFF, 25-100%
	Field Forcing Level	100-125% (hoist modes only)
<b>Motor Feedback</b>	Feedback Type	Armature or incremental encoder coupled to motor shaft
	Pulses/Rev	60-65535 selectable, 1024 standard
	Voltage Output	2 channel in quadrature, 5VDC differential
	Marker Pulse	Required for position orientation
	Power Input	5VDC, 300 mA maximum
	Maximum Frequency	1 MHz
	Positioning	Optional buffered encoder pulse train output for position loop controller
	Optional Feedback	Tachometer or resolver via expansion board
<b>Protective Functions</b>	Control Trip	Missing control power, over current armature over voltage, motor overspeed over temperature (motor & control), field loss, encoder tach or resolver loss, phase loss, motor overload and overcurrent
	Fusing	Standard input line, armature and field power supply fuses
	External Output	LED indicator for trip conditions, 4 assignable logic outputs - 30VDC Max, 2 assignable analog outputs 0-5VDC
<b>LCD Display</b>	Running	Motor RPM, output current, voltage (selectable)
	Setting	Parameter values for setup and review
	Trip	Separate message for each trip, last 31 trips retained in memory
<b>Ambient Conditions</b>	Temperature	0-40°C for UL listing
	Cooling	Forced air included when required

**NOTE:** Use of DC tach for feedback requires DC Tachometer Interface Board, catalog number EXB006A01. Other expansion boards are available, see pages 253-254.

HVAC Motors

Farm Duty Motors

Definite Purpose Motors

Brake Motors

200 & 575 Volt Motors

IEC Frame Motors

50 Hertz Motors

Inverter/Vector Motors & Controls

DC Motors and Controls

Soft Start & Dynamic Brakes

### Series 20H Line Regenerative Digital DC Controls

Hp	Input Volt	Armature Output Current		Catalog Number	List Price	Mult. Sym.	Chassis Size
		Amps Cont	Amps Peak				
<b>230 Volt Input - 240 VDC Output</b>							
5	230	20	60	BC20H205-CL	5,832	E1	A
10	230	40	120	BC20H210-CL	5,832	E1	A
15	230	60	150	BC20H215-CL	5,832	E1	A
20	230	75	190	BC20H220-CL	6,112	E1	B
25	230	100	250	BC20H225-CL	6,883	E1	B
40	230	140	420	BC20H240-CL	8,928	E1	C
50	230	180	480	BC20H250-CL	9,660	E1	C
60	230	210	540	BC20H260-CL	10,215	E1	C
75	230	270	680	BC20H275-CL	12,531	E1	C
<b>460 Volt Input - 500 VDC Output</b>							
5, 7.5, 10	460	20	60	BC20H410-CL	6,137	E1	A
15, 20	460	40	120	BC20H420-CL	6,137	E1	A
25, 30	460	60	150	BC20H430-CL	6,335	E1	A
40	460	75	190	BC20H440-CL	6,615	E1	B
50	460	100	250	BC20H450-CL	7,336	E1	B
60, 75	460	140	420	BC20H475-CL	10,150	E1	C
100	460	180	480	BC20H4100-CL	10,953	E1	C
125	460	210	530	BC20H4125-CL	12,214	E1	C
150	460	270	680	BC20H4150-CL	13,359	E1	C
200	460	350	875	BC20H4200-CL	16,061	E1	D
250	460	420	1050	BC20H4250-CL	20,114	E1	D
300	460	510	1250	BC20H4300-CL	22,034	E1	D

**OPTIONS:** See pages 253-254 for optional expansion Boards including Tachometer Feedback, RS-232, RS-422, RS-485, Resolver, Interface, etc.  
40 Amp field power supply. FPS40BC1920

### Dimensions in/(mm)

Size	Hp	Outside Height	Width	Depth	Mounting		Ap'x Shpg. Wgt.
					Height	Width	
<b>A</b>	ALL	20.60/(523.2)	11.00/(279.4)	9.87/(250.7)	18.00/(457.2)	10.25/(260.4)	39
<b>B 230V</b>	ALL	25.70/(652.8)	11.00/(279.4)	9.84/(249.9)	23.87/(606.3)	10.25/(260.4)	67
<b>B 460V</b>	ALL	26.75/(679.5)	11.00/(279.4)	9.84/(249.9)	24.94/(633.5)	10.25/(260.4)	69
<b>C 230V</b>	40-60	26.50/(673.1)	11.75/(298.5)	10.63/(270.0)	23.90/(607.0)	10.25/(260.4)	80
<b>C 460V</b>	75-100	27.25/(692.2)	11.75/(298.5)	10.63/(270.0)	24.65/(626.1)	10.25/(260.4)	84
<b>C 230V</b>	75	33.00/(838.2)	11.75/(298.5)	10.63/(270.0)	23.90/(607.6)	10.25/(260.4)	94
<b>C 460V</b>	125-200	33.75/(857.3)	11.75/(298.5)	10.63/(270.0)	24.65/(626.1)	10.25/(260.4)	97
<b>D</b>	ALL	43.80/(1112.5)	16.87/(428.5)	12.43/(315.7)	39.25/(997.0)	13.75/(349.3)	272

HVAC Motors

Farm Duty Motors

Definite Purpose Motors

Brake Motors

200 & 575 Volt Motors

IEC Frame Motors

50 Hertz Motors

Inverter/Vector Motors & Controls

DC Motors and Controls

Soft Start & Dynamic Brakes

### FlexPak 3000 Digital DC Drives



**Applications:** Three-phase DC drive for regenerative and non-regenerative industrial applications from 1-1/2 to 600 Hp

**Features:** Flexible design allows for adaptability and use in many demanding applications. The Operator Interface Module has a keypad panel and easy to read graphics LCD display. Simple to set up and use with a step by step "Quick Start" program. Operating status and diagnostic information as well as help text aids in set up and operation. The drive may be operated from the OIM or from a remotely mounted control station.

#### 230 VAC, 50/60 Hz, Non-Regenerative; 1-1/2 Hp-30 Hp

230 VAC drives use equivalent rated 460 VAC drives listed below with required 916FK0100 460 VAC/230 VAC conversion kits

240 VDC Armature; 150 VDC Field

Hp Rating	Full Load RMS AC Line Current	Full Load Rated DC Armature Current	Rated Field Current	Catalog Number	Mult. Sym.	List Price
1-1/2	10	7	10	3FN4042	VS50D	3,870
2	11	9	10	5FN4042	VS50D	3,870
3	13	12	10	7FN4042	VS50D	3,870
5	19	20	10	10FN4042	VS50D	3,885
7-1/2	26	29	10	15FN4042	VS50D	4,040
10	33	38	10	20FN4042	VS50D	4,070
15	48	55	10	30FN4042	VS50D	4,385
20	63	73	15	40FN4042	VS50D	5,201
25	80	93	15	50FN4042	VS50D	5,025
30	94	110	15	60FN4042	VS50D	5,090

#### 230 VAC, 50/60 Hz, Regenerative; 1-1/2 Hp-30 Hp

230 VAC drives use equivalent rated 460 VAC drives listed below with required 916FK0100 460 VAC/230 VAC conversion kits

240 VDC Armature; 150 VDC Field

Hp Rating	Full Load RMS AC Line Current	Full Load Rated DC Armature Current	Rated Field Current	Catalog Number	Mult. Sym.	List Price
1-1/2	10	7	10	3FR4042	VS50D	4,380
2	11	9	10	5FR4042	VS50D	4,380
3	13	12	10	7FR4042	VS50D	4,380
5	19	20	10	10FR4042	VS50D	4,395
7-1/2	26	29	10	15FR4042	VS50D	4,550
10	33	38	10	20FR4042	VS50D	4,580
15	48	55	10	30FR4042	VS50D	4,895
20	63	73	15	40FR4042	VS50D	5,425
25	80	93	15	50FR4042	VS50D	5,635
30	94	110	15	60FR4042	VS50D	5,700

#### Dimensions

Catalog Number	Width Inches (mm)	Height Inches (mm)	Depth Inches (mm)	Weight lbs (kg)
All 230 VAC, (460 VAC Converted), catalog numbers, 1-1/2 through 30 Hp	10.65 (270.5)	18.79 (477.3)	12.23 (310.6)	58 (26.4)

HVAC Motors

Farm Duty Motors

Definite Purpose Motors

Brake Motors

200 & 575 Volt Motors

IEC Frame Motors

50 Hertz Motors

Inverter/Vector Motors & Controls

DC Motors and Controls

Soft Start & Dynamic Brakes



### FlexPak 3000 Digital DC Drives



#### 230 VAC, 50/60 Hz, Non-Regenerative; 40 Hp-75 Hp

230 VAC drives listed below use equivalent rated 460 VAC drives with required 916FK0200 460 VAC/230 VAC conversion kits.

#### 240 VDC Armature; 150 VDC Field

Hp Rating	Full Load RMS AC Line Current	Full Load Rated DC Armature Current	Rated Field Current	Catalog Number	Mult. Sym.	List Price
40	125	146	15	75FN4042	VS50D	6,120
50	154	180	15	100FN4042	VS50D	6,835
60	186	218	15	125FN4042	VS50D	7,140
75	226	265	15	150FN4042	VS50D	7,750

#### 230 VAC, 50/60 Hz, Regenerative; 40 Hp-75 Hp

230 VAC drives listed below use equivalent rated 460 VAC drives with required 916FK0200 460 VAC/230 VAC conversion kits.

#### 240 VDC Armature; 150 VDC Field

Hp Rating	Full Load RMS AC Line Current	Full Load Rated DC Armature Current	Rated Field Current	Catalog Number	Mult. Sym.	List Price
40	125	146	15	75FR4042	VS50D	6,935
50	154	180	15	100FR4042	VS50D	7,650
60	186	218	15	125FR4042	VS50D	7,955
75	226	265	15	150FR4042	VS50D	8,570

#### Dimensions

Catalog Number	Width Inches (mm)	Height Inches (mm)	Depth Inches (mm)	Weight lbs (kg)
All 230 VAC catalog numbers, 40 through 75 Hp	18.11 (460)	490 (19.29)	13.46 (341.9)	122 (55)

HVAC Motors

Farm Duty Motors

Definite Purpose Motors

Brake Motors

200 & 575 Volt Motors

IEC Frame Motors

50 Hertz Motors

Inverter/Vector Motors & Controls

DC Motors and Controls

Soft Start & Dynamic Brakes

### FlexPak 3000 Digital DC Drives



**230 VAC, 50/60 Hz, Non-Regenerative; 100 Hp-150 Hp**

**230 VAC catalog numbers do not exist for these Hp ratings. Use a 460 VAC drive at 2X Hp rating and reconnect control power transformer for 230VAC operation at startup.**

**240 VDC Armature; 150 VDC Field**

Hp Rating	Full Load RMS AC Line Current	Full Load Rated DC Armature Current	Rated Field Current	Catalog Number	Mult. Sym.	List Price
100	307	360	15	200FN4042	VS50D	12,035
125	370	434	15	250FN4042	VS50D	12,545
150	443	521	15	300FN4042	VS50D	12,545

**230 VAC, 50/60 Hz, Regenerative; 100 Hp-150 Hp**

**230 VAC catalog numbers do not exist for these Hp ratings. Use a 460 VAC drive at 2X Hp rating and reconnect control power transformer for 230VAC operation at startup.**

**240 VDC Armature; 150 VDC Field**

Hp Rating	Full Load RMS AC Line Current	Full Load Rated DC Armature Current	Rated Field Current	Catalog Number	Mult. Sym.	List Price
100	307	360	15	200FB4042	VS50D	19,100
125	370	434	15	250FB4042	VS50D	19,360
150	443	521	15	300FB4042	VS50D	20,300

#### Dimensions Shown for 460VAC Models

Catalog Number	Width Inches (mm)	Height Inches (mm)	Depth Inches (mm)	Weight lbs (kg)
All 230 VAC drives, 100 through 150 Hp, (All 460 VAC catalog numbers, 200 through 300 Hp)	23.6 (599)	33.5 (850)	16.7 (424.7)	220.5 (100.0)

**NOTE:** Option kits may add additional mounting depth. Please allow adequate clearance when option kits are mounted on the drive package.

HVAC Motors

Farm Duty Motors

Definite Purpose Motors

Brake Motors

200 & 575 Volt Motors

IEC Frame Motors

50 Hertz Motors

Inverter/Vector Motors & Controls

DC Motors and Controls

Soft Start & Dynamic Brakes

### FlexPak 3000 Digital DC Drives



**460 VAC, 50/60 Hz, Non-Regenerative; 3 Hp-60 Hp  
500 VDC Armature; 300 VDC Field**

Hp Rating	Full Load RMS AC Line Current	Full Load Rated DC Armature Current	Rated Field Current	Catalog Number	Mult. Sym.	List Price
3	10	6	10	<b>3FN4042</b>	VS50D	3,870
5	12	10	10	<b>5FN4042</b>	VS50D	3,870
7.5	15	14	10	<b>75FN4042</b>	VS50D	6,120
10	18	19	10	<b>10FN4042</b>	VS50D	3,885
15	24	27	10	<b>15FN4042</b>	VS50D	4,040
20	31	35	10	<b>20FN4042</b>	VS50D	4,070
25	39	45	10	<b>25FN4042</b>	VS50D	4,335
30	45	52	10	<b>30FN4042</b>	VS50D	4,385
40	63	73	15	<b>40FN4042</b>	VS50D	5,201
50	74	86	15	<b>50FN4042</b>	VS50D	5,025
60	86	100	15	<b>60FN4042</b>	VS50D	5,090

**460 VAC, 50/60 Hz, Regenerative; 3 Hp-60 Hp  
500 VDC Armature; 300 VDC Field**

Hp Rating	Full Load RMS AC Line Current	Full Load Rated DC Armature Current	Rated Field Current	Catalog Number	Mult. Sym.	List Price
3	10	6	10	<b>3FR4042</b>	VS50D	4,380
5	12	10	10	<b>5FR4042</b>	VS50D	5,635
7.5	15	14	10	<b>7FR4042</b>	VS50D	4,380
10	18	19	10	<b>10FR4042</b>	VS50D	4,395
15	24	27	10	<b>15FR4042</b>	VS50D	4,550
20	31	35	10	<b>20FR4042</b>	VS50D	4,580
25	39	45	10	<b>25FR4042</b>	VS50D	4,845
30	45	52	10	<b>30FR4042</b>	VS50D	4,895
40	63	73	15	<b>40FR4042</b>	VS50D	5,425
50	74	86	15	<b>50FR4042</b>	VS50D	5,635
60	86	100	15	<b>60FR4042</b>	VS50D	5,700

### Dimensions

Catalog Number	Width Inches (mm)	Height Inches (mm)	Depth Inches (mm)	Weight lbs (kg)
All 460 VAC catalog numbers, 3 through 60 Hp	10.65 (270.5)	18.79 (477.3)	12.23 (310.6)	58 (26.4)

### FlexPak 3000 Digital DC Drives



**460 VAC, 50/60 Hz, Non-regenerative; 75 Hp-150 Hp  
500 VDC Armature; 300 VDC Field**

Hp Rating	Full Load RMS AC Line Current	Full Load Rated DC Armature Current	Rated Field Current	Catalog Number	Mult. Sym.	List Price
75	110	129	15	<b>75FN4042</b>	VS50D	6,120
100	143	167	15	<b>100FN4042</b>	VS50D	6,835
125	177	207	15	<b>125FN4042</b>	VS50D	7,140
150	213	250	15	<b>150FN4042</b>	VS50D	7,750

**460 VAC, 50/60 Hz, Regenerative; 75 Hp-150 Hp  
500 VDC Armature; 300 VDC Field**

Hp Rating	Full Load RMS AC Line Current	Full Load Rated DC Armature Current	Rated Field Current	Catalog Number	Mult. Sym.	List Price
75	110	129	15	<b>75FR4042</b>	VS50D	6,935
100	143	167	15	<b>100FR4042</b>	VS50D	7,650
125	177	207	15	<b>125FR4042</b>	VS50D	7,955
150	213	250	15	<b>150FR4042</b>	VS50D	8,570

### Dimensions

Catalog Number	Width Inches (mm)	Height Inches (mm)	Depth Inches (mm)	Weight lbs (kg)
All 460 VAC catalog numbers, 75 through 150 Hp	18.11 (460)	19.29 (490)	13.46 (341.9)	122 (55)

HVAC Motors

Farm Duty Motors

Definite Purpose Motors

Brake Motors

200 & 575 Volt Motors

IEC Frame Motors

50 Hertz Motors

Inverter/Vector Motors & Controls

DC Motors and Controls

Soft Start & Dynamic Brakes

### FlexPak 3000 Digital DC Drives



**460 VAC, 50/60 Hz, Non-Regenerative; 200 Hp-300 Hp  
500 VDC Armature; 300 VDC Field**

Hp Rating	Full Load RMS AC Line Current	Full Load Rated DC Armature Current	Rated Field Current	Catalog Number	Mult. Sym.	List Price
200	281	330	15	<b>200FN4042</b>	VS50D	12,035
250	351	412	15	<b>250FN4042</b>	VS50D	12,545
300	421	495	15	<b>300FN4042</b>	VS50D	12,545

**460 VAC, 50/60 Hz, Regenerative; 75 Hp-150 Hp  
500 VDC Armature; 300 VDC Field**

Hp Rating	Full Load RMS AC Line Current	Full Load Rated DC Armature Current	Rated Field Current	Catalog Number	Mult. Sym.	List Price
200	281	330	15	<b>200FB4042</b>	VS50D	19,100
250	351	412	15	<b>250FB4042</b>	VS50D	19,360
300	421	495	15	<b>300FB4042</b>	VS50D	20,300

#### Dimensions

Catalog Number	Width Inches (mm)	Height Inches (mm)	Depth Inches (mm)	Weight lbs (kg)
All 460 VAC catalog numbers, 200 through 300 Hp	23.6 (599)	33.5 (850)	16.7 (424.7)	220.5 (100)

**NOTE:** Option kits may add additional mounting depth. Please allow adequate clearance when option kits are mounted on the drive package.

HVAC Motors

Farm Duty Motors

Definite Purpose Motors

Brake Motors

200 & 575 Volt Motors

IEC Frame Motors

50 Hertz Motors

Inverter/Vector Motors & Controls

DC Motors and Controls

Soft Start & Dynamic Brakes

### FlexPak 3000 Digital DC Drives



#### 460 VAC, 50/60 Hz, Non-Regenerative; 400 Hp-600 Hp 500 VDC Armature; 300 VDC Field

Hp Rating	Full Load RMS AC Line Current	Full Load Rated DC Armature Current	Rated Field Current	Drive Catalog Number	Mult. Sym.	List Price
400	567	667	15	400FN4041	VS50D	19,025
500	680	800	15	500FN4041	VS50D	19,280
600	816	960	15	600FN4041	VS50D	19,890

#### 460 VAC, 50/60 Hz, Regenerative; 400 Hp-600 Hp 500 VDC Armature; 300 VDC Field

Hp Rating	Full Load RMS AC Line Current	Full Load Rated DC Armature Current	Rated Field Current	Drive Catalog Number (a)	Mult. Sym.	List Price
400	567	640	15	400FR4041	VS50D	30,090
500	680	800	15	500FR4041	VS50D	30,600
600	816	960	15	600FR4041	VS50D	31,110

**NOTE:** (a) An inverting fault circuit breaker, Model Number 906FK3101 must be specified with 400-600 Hp regenerative drives and is included in Drive price. Refer to OPTIONS section for description.

#### Dimensions

Catalog Number	Width Inches (mm)	Height Inches (mm)	Depth Inches (mm)	Weight lbs (kg)
All 460 VAC catalog numbers, 400 through 600 Hp	26.68 (677.7)	42.25 (1149.2)	18.82 (478.1)	450 (204.5)

**NOTE:** Option kits may add additional mounting depth. Please allow adequate clearance when option kits are mounted on the drive package.

HVAC Motors

Farm Duty Motors

Definite Purpose Motors

Brake Motors

200 & 575 Volt Motors

IEC Frame Motors

50 Hertz Motors

Inverter/Vector Motors & Controls

DC Motors and Controls

Soft Start & Dynamic Brakes



### FlexPak 3000 Digital DC Drives



#### Special AC Line Voltage Drives <sup>(b)</sup>

For 380 VAC or 415 VAC input, select the required armature amps to price the drive. Hp and kW ratings are estimated and should only be used as an approximation.

##### Special 380/415 VAC Non-Regenerative FlexPak 3000<sup>(b)</sup>

380 VAC 400 VDC Armature 250 VDC Field <sup>(a)</sup>		415 VAC 460 VDC Armature 270 VDC Field <sup>(a)</sup>		460 VAC 500 VDC Armature 300 VDC Field <sup>(a)</sup>		AC Amps	DC Armature Amps	DC Field Amps	Catalog Number	Mult. Sym.	List Price
Hp	kW	Hp	kW	Hp	kW						
2.4	1.8	2.8	2.1	3	2.2	10	7	10	<b>7FN3042</b>	VS50D	4,380
12	9	13.8	10.3	15	11.2	26	29	10	<b>29FN3042</b>	VS50D	4,550
24	17.9	27.6	20.6	30	22.4	48	55	10	<b>55FN3042</b>	VS50D	4,895
48	35.8	55.2	41.2	60	44.7	94	110	15	<b>110FN3042</b>	VS50D	5,600
120	89.5	138	102.9	150	111.9	226	265	15	<b>265FN3042</b>	VS50D	8,160

##### Special 380/415 VAC Regenerative FlexPak 3000<sup>(b)</sup>

2.4	1.8	2.8	2.1	3	2.2	10	7	10	<b>7FR3042</b>	VS50D	4,890
12	9	13.8	10.3	15	11.2	26	29	10	<b>29FR3042</b>	VS50D	5,060
24	17.9	27.6	20.6	30	22.4	48	55	10	<b>55FR3042</b>	VS50D	5,405
48	35.8	55.2	41.2	60	44.7	94	110	15	<b>110FR3042</b>	VS50D	6,210
120	89.5	138	102.9	150	111.9	226	265	15	<b>265FR3042</b>	VS50D	9,080

<sup>(a)</sup> Hp and KW ratings are estimated.

<sup>(b)</sup> Requires use of nonstandard voltage DC motors. Contact Baldor-Reliance sales office for motor pricing assistance.

#### Dimensions

Catalog Number	Height Inches (mm)	Width Inches (mm)	Depth Inches (mm)	Weight lbs (kg)
<b>7 to 110A Rated Output</b>	18.79 (477.3)	10.65 (270.5)	12.23 (310.6)	58 lb (26.4)
<b>265A Rated Output</b>	19.29 (490.0)	18.11 (460.0)	13.46 (341.9)	122 (55)

HVAC Motors

Farm Duty Motors

Definite Purpose Motors

Brake Motors

200 & 575 Volt Motors

IEC Frame Motors

50 Hertz Motors

Inverter/Vector Motors & Controls

DC Motors and Controls

Soft Start & Dynamic Brakes

### FlexPak 3000 Power Module Style Drives



#### Three-Phase DC Power Module Drive for Regenerative and Non-Regenerative Applications from 5 to 400 Hp

FlexPak 3000 Power Module drives can support 200-460 VAC line input voltages. The customer must select and provide the appropriate fusing, control transformer, and contactor for the desired line input voltage. Keypad Operator Interface Module (OIM) must be ordered separately.

Non-Regenerative Power Module					
Hp at 460 VAC <sup>(a)</sup>	Nom. Current Rating <sup>(b)(d)</sup>	Unit Type Current Rating <sup>(c)(d)</sup>	Catalog Number	Mult. Sym.	List Price
10	20	25	<b>20FN8742</b>	VS50D	3,570
29	50	60	<b>50FN8742</b>	VS50D	3,685
75	125	150	<b>125FN8742</b>	VS50D	4,115
125	208	250	<b>200FN8742</b>	VS50D	4,895
200	375	450	<b>375FN8742</b>	VS50D	7,140
400	667	800	<b>650FN8742</b>	VS50D	9,280
Regenerative Power Module					
10	20	25	<b>20FR8742</b>	VS50D	3,925
29	50	60	<b>50FR8742</b>	VS50D	4,080
75	125	150	<b>125FR8742</b>	VS50D	4,750
125	208	250	<b>200FR8742</b>	VS50D	5,825
200	375	450	<b>375FR8742</b>	VS50D	8,260
400	667	800	<b>650FR8742</b>	VS50D	11,525

(a) Hp based on 40°C ambient & 460 VAC line input voltage at nominal rating. Derate at 1.5% per °C above 40°C

(b) Nominal current rating is 100% continuous operation with 50% overload capability.

(c) Unit-type current rating based on maximum continuous operation without overload.

(d) Field current regulator rating: 4A (25-60A Ratings), 10A (150-450A Ratings), 12A (800A Rating). Rating is based on unit-type amp rating.

**Note:** All ratings are based on 40°C Ambient

#### Power Module Style Drive Options

Description	Catalog Number	Mult. Sym.	List Price
Keypad Operator Interface Module (OIM)	<b>317C160D</b>	VS50D	600
Configuration Software (CS3000)	<b>2CS3000</b>	E8	418

#### Power Module Dimensions

Hp at 460 VAC Rating <sup>(a)</sup>	Nom. Current <sup>(b)</sup>	Unit Type Current Rating <sup>(c)</sup>	Width Inches (mm)	Height Inches (mm)	Depth Inches (mm)	Weight lbs (kg)
10	20	25	10.6 (269)	15.8 (400)	11.3 (287)	22 (10)
29	50	60	10.6 (269)	15.8 (400)	11.3 (287)	22 (10)
75	125	150	10.6 (269)	16.9 (428)	11.3 (287)	31 (14)
125	208	250	10.6 (270)	21.7 (550)	13.3 (337)	88 (40)
200	375	450	10.6 (270)	21.7 (550)	13.3 (337)	88 (40)
400	667	800	12.1 (306)	26.0 (660)	17.2 (436)	183 (83)

(a) Hp based on 40°C Ambient & 460 VAC line input voltage at Nominal Rating. Derate at 1.5% per °C above 40°C.

(b) Nominal Current Rating is 100% continuous operation with 50% overload capability.

(c) Unit Type Current Rating based on maximum continuous operation without overload.

HVAC Motors

Farm Duty Motors

Definite Purpose Motors

Brake Motors

200 & 575 Volt Motors

IEC Frame Motors

50 Hertz Motors

Inverter/Vector Motors & Controls

DC Motors and Controls

Soft Start & Dynamic Brakes

### FlexPak 3000 Drive Options

#### AC Line Disconnects for Chassis or NEMA 1 Enclosed Drives

Select and price disconnect per the table below. This kit cannot be mounted on the FlexPak 3000 Power Module drives.

#### AC Line Disconnects Selection

Incoming Line Voltage		Disconnect for Chassis Drives			Disconnect for NEMA 1 Conversion Kit Mounting <sup>(a)</sup>		
230 VAC	460 VAC	Catalog Number	Mult. Sym.	List Price	Catalog Number	Mult. Sym.	List Price
1-1/2 - 25	3-50	901FK0101	VS50D	555	902FK0101	VS50D	400
30	60	901FK0201	VS50D	660	901FK0201	VS50D	660
40-60	75-125	901FK1102	VS50D	1,350	901FK1112	VS50D	1,425
75	150	901FK1202	VS50D	2,100	901FK1212	VS50D	2,175
100	200	901FK2101	VS50D	2,500	—	—	—
125-150	250-300	901FK2201	VS50D	4,075	—	—	—
—	400	901FK2401	VS50D	5,070	—	—	—
—	500	901FK2401	VS50D	5,070	—	—	—
—	600	901FK2501	VS50D	7,625	—	—	—

<sup>(a)</sup> Enclosure not included in price.

#### Blower Motor Starter

This option provides a fused AC starter with adjustable overload and interlocking for control of the three-phase blower motor used to cool the DC motor. This kit cannot be mounted on FlexPak 3000 Power Module drives.

Blower 3-Phase Current Amps	Single Starter Catalog Number
.4-.63	902FK0101
.63-1.0	902FK0201
1.0-1.4	902FK0301
1.4-1.8	902FK0401
1.7-2.4	902FK0501
2.2-3.1	902FK0601
2.8-4.0	902FK0701
3.5-5.0	902FK0801
4.5-6.5	902FK0901
6.0-8.5	902FK0111
7.5-11.0	902FK0121

Description	List Price	Mult. Sym.
Kit	400	VS50D

### FlexPak 3000 Drive Options

#### 115V Control Interface

This option consists of a printed circuit board which converts customer-supplied 115 VAC signals to 24 VDC for operating a FlexPak 3000. This card mounts separately on the chassis drives or can be mounted in drives with optional NEMA 1 conversion kits.

#### INPUTS AND OUTPUTS

- Run
- Jog
- Auto/Man
- Customer Interlock
- Brush wear
- Stop
- Fwd/Rev
- Coast/Stop
- Fault reset
- Motor thermostat

Kit Catalog Number	Mult. Sym	List Price
917FK0101	VS50D	500

#### Conversion Kit 460 VAC to 230 VAC

This kit contains control transformer fuses that allows the user to convert a 460 VAC FlexPak 3000 to a 230 VAC drive at one-half the 460 VAC horsepower rating. This kit cannot be used with FlexPak 3000 Power Module drives.

A fuse kit is not required to convert 200-600 Hp 460 VAC FlexPak 3000 drives to 230 VAC.

The Control Circuit Transformer must be re-connected for 230 VAC.

Contact a Baldor representative for assistance.

Catalog Number	This fuse kit will convert	Mult. Sym.	List Price Ordered with Drive	List Price Ordered Separately
916FK0100	FlexPak 3000, 3-60 Hp @ 460 VAC to 1-1/2 - 30 Hp @ 230 VAC	VS50D	N/C	50
916FK0200	FlexPak 3000, 75-150 Hp @ 460 VAC to 40-75 Hp at 230 VAC	VS50D	N/C	50

HVAC Motors

Farm Duty Motors

Definite Purpose Motors

Brake Motors

200 & 575 Volt Motors

IEC Frame Motors

50 Hertz Motors

Inverter/Vector Motors & Controls

DC Motors and Controls

Soft Start & Dynamic Brakes

### FlexPak 3000 Drive Options Dynamic Braking (DB)

#### 240 VDC Dynamic Braking Loose Parts Kit <sup>(c)</sup>

	Hp Rating	Catalog Number	Mult. Sym.	Kit List <sup>(a)</sup>
Farm Duty Motors	1-1/2	912FK0010	VS50D	850
	2	912FK0020	VS50D	850
	3	912FK0030	VS50D	850
	5	912FK0050	VS50D	850
Definite Purpose Motors	7-1/2	912FK0070	VS50D	885
	10	912FK0100	VS50D	940
	15	912FK0150	VS50D	940
	20	912FK0200	VS50D	1,220
	25	912FK0250	VS50D	1,220
	30	912FK0300	VS50D	1,250
Brake Motors	40	912FK0400	VS50D	1,500
	50	912FK0500	VS50D	1,800
	60	912FK0500	VS50D	1,800
	75	912FK0750	VS50D	2,050

#### 500 VDC Dynamic Braking Loose Parts Kit <sup>(c)</sup>

200 & 575 Volt Motors	3	913FK0030	VS50D	880
	5	913FK0050	VS50D	880
	7-1/2	913FK0070	VS50D	880
	10	913FK0100	VS50D	1,135
IEC Frame Motors	15	913FK0150	VS50D	1,135
	20	913FK0200	VS50D	1,210
	25	913FK0200	VS50D	1,210
	30	913FK0300	VS50D	1,240
	40	913FK0400	VS50D	1,240
	50	913FK0500	VS50D	1,325
	60	913FK0500	VS50D	1,325
	75	913FK0750	VS50D	1,850
50 Hertz Motors	100	913FK1000	VS50D	2,000
	125	913FK1000	VS50D	2,200
	150	913FK1500	VS50D	2,640
	200	913FK2000	VS50D	4,900
Inverter/Vector Motors & Controls	250	913FK2500	VS50D	5,000
	300	913FK3000	VS50D	5,000
	400	913FK4000	VS50D	2,800 <sup>(b)</sup>
	500	913FK5000	VS50D	3,000 <sup>(b)</sup>
	600	913FK6000	VS50D	3,200 <sup>(b)</sup>

<sup>(a)</sup> Includes D/B contactor and D/B resistors. Customer must supply fuses and 115 VAC power for contactor.

<sup>(b)</sup> Kit consists of resistors and enclosure only. Drive has DB pole on contactor as standard.

<sup>(c)</sup> This kit cannot be used with FlexPak 3000 Power Module drives. Contact your local Baldor•Reliance sales office for assistance.

### FlexPak 3000 Drive Options Enhanced Field Supply

This FlexPak 3000 Field Supply option provides the following additional features:

- Electronic Field trim
- Field economy
- Capability to provide 240 VDC field supply with 230 VAC input

AC Line Input	DC Field Voltage Output
230 VAC	103 to 207 DC
	207 to 259 DC
460 VAC	207 to 414 DC
	414 to 575 DC

This modification replaces the standard field supply or field current regulator. Motor field weakening is not possible with this kit.

230 VAC Hp	460 VAC Hp	DC Amps	Catalog Number	Mult. Sym.	Kit List Price
1-1/2 - 15	3 - 30	10	923FK0101	VS50D	500
20 - 300	40 - 600	20	923FK0201	VS50D	650

### Field Current Regulator

The field current regulator kit replaces the standard field voltage supply with a current regulated supply. It provides field economy and constant horsepower above, base speed operation. It can be used in drive version 3.0 and later.

Approx. Hp <sup>(a)</sup>		Motor Hot Field Amps	Field Current Regulator Catalog Number <sup>(b)(c)</sup>	Mult. Sym.	Kit List <sup>(b)</sup>
230 VAC Hp	460 VAC Hp				
1-1/2 - 10	3 - 20	4	911FK0041	VS50D	280
1-1/2 - 15	3 - 30	10	911FK0101	VS50D	300
20-60	40-125	15	911FK0151	VS50D	320
75-300	150-600	15	—	—	Std.

<sup>(a)</sup> For estimating only. Field current regulator should be sized according to motor hot field amps.

<sup>(b)</sup> Requires V3.0 or later FlexPak 3000. (Second to last digit of drive M/N must be a "3" or larger.)

This kit is standard on all FlexPak 3000 drives 75 Hp @ 230 VAC/150 Hp @ 460 VAC and larger and on FlexPak 3000 Power Module drives.

<sup>(c)</sup> A field current regulator kit cannot be used when using an Enhanced Field Supply kit.



### FlexPak 3000 Drive Options I/O Expansion Card

The I/O expansion card mounts in the FlexPak 3000 chassis and gives the FlexPak 3000 additional analog, frequency and digital I/O capability. Some additional features with this card are:

- Dancer follower functions
- Outer Control Loop (OCL) applications
- External motor operated pot (MOP) function
- (3) preset speeds
- (2) user configurable analog outputs
- (1) user configurable frequency output
- (1) user configurable frequency input
- (2) timed threshold level detectors

#### Available I/O

5 Digital Inputs (24 VDC, isolated)  
 (2) inputs for preset speed selection  
 (2) inputs for MOP increment and decrement  
 (1) input for OCL enable

#### 2 Level Detectors (30 VDC or 250 VAC)

- Selectable normally open or normally closed
- Detected when signals exceed an adjustable threshold
- Timed delay output from 0 to 300 seconds

#### 2 Analog Inputs (Isolated)

- Input 1:  $\pm 10$  VDC, 4-20 mA, 10-50 mA
- Input 2: 0-10 VDC (or  $\pm 10$  VDC)
- Voltage scalable from 4.4 V to 10.0 V
- Steerable to OCL reference and feedback, speed reference trim, positive current limit (negative also if regenerative) and inertia compensation

#### 2 Analog Outputs (unfiltered)

- Output 1:  $\pm 10$  VDC (@ 4mA maximum)
- Output 2:  $\pm 10$  VDC (@ 4mA maximum)
- User configurable

#### 1 Frequency Input

- Differential 5 to 15 V square wave (single direction)
- Scalable from 2 to 250 kHz
- User configurable

#### 1 Frequency Output

- Differential 5 to 15 V square wave (single direction)
- Scalable from 2 to 250 kHz
- User configurable

#### Outer Control Loop (OCL)

- Dancer follower (Type I position loop)
- Dancer position regulator (Type II position loop)
- See I/M D2-3301 for more detailed information of the
- I/O expansion card.

Kit Model Number	Mult. Sym.	List Price
914FK0101	VS50D	660

(1) Requires V3.0 or later FlexPak 3000. (Second last digit of controller M/N must be "3" or higher.)

### FlexPak 3000 Drive Options

#### Network Communications

##### AutoMax Network Communication Card

The AutoMax Network Communication card mounts in a FlexPak 3000 drive allowing it to communicate with an AutoMax network. The drive can be controlled, tuned, and monitored by way of the high speed (875 Kbaud) AutoMax network link. Up to 55 FlexPak 3000 drives can be connected to a single network using the basic configuration or up to 13 using the full configuration.

Kit Catalog Number	Mult. Sym.	List Price <sup>(a)</sup>
915FK0101	VS50D	441

##### ControlNet™ Communication Card

The ControlNet Communication card mounts in a FlexPak 3000 drive, allowing it to communicate over the open network ControlNet. ControlNet is a highly deterministic and repeatable control layer network. It provides real-time high speed transport of time critical I/O data and messaging data, all on one link. ControlNet is ideal for complex control systems that require synchronized and coordinated real-time performance.

Kit Catalog Number	Mult. Sym.	List Price <sup>(a)(b)</sup>
915FK2101	VS50D	735

##### DeviceNet™ Communication Card

The DeviceNet Communication card mounts in a FlexPak 3000 drive, allowing it to communicate over the open network DeviceNet. The card provides the ability to modify parameters plus operate and monitor the FlexPak 3000. Horner Electric Co. manufactures this card. More information is obtainable from I/M HE-FP3.

Kit Catalog Number	Mult. Sym.	List Price <sup>(a)(c)</sup>
915FK1100	VS50D	615

##### Interbus-S™ Communication Card

The Interbus-S Communication card mounts in the FlexPak 3000 drive, allowing it to communicate with an Interbus-S network. The card allows the FlexPak 3000 drive to be controlled and monitored over the network.

Kit Catalog Number	Mult. Sym.	List Price <sup>(a)(c)</sup>
915FK3101	VS50D	735

Note that this card also requires a remote to local bus connector, such as the Phoenix Model IBS24BK/LC

##### Profibus™ Communication Card

The Profibus Communication card allows the FlexPak 3000 to communicate over the Profibus network. This card allows the FlexPak 3000 to be controlled and monitored over the network.

Kit Catalog Number	Mult. Sym.	List Price <sup>(a)(b)</sup>
915FK4101	VS50D	735

<sup>(a)</sup> Only one network card can be installed in the drive at one time

<sup>(b)</sup> Must use V4.2 or higher firmware

<sup>(c)</sup> Must use V3.12 or higher firmware

HVAC Motors

### FlexPak 3000 Drive Options Inverting Fault Circuit Breaker

This modification replaces the standard inverting fault fuse. The inverting fault circuit breaker is recommended when applying regenerative FlexPak 3000 drives to high inertia loads (where the reflected load (WR2) to the motor is equal to or greater than the motor's). It also is used on applications where the drive is frequently in a low power regenerative mode, such as on un-winders and pay-offs. The inverting fault breaker must be mounted separately from the drive, unless the drive is mounted in a cabinet.

Farm Duty Motors

Definite Purpose Motors

Brake Motors

HP Rating 240 VDC	HP Rating 500 VDC	Kit Catalog Number	Mult. Sym.	Kit List Price
1-1/2 - 2	3-5	906FK0101	VS50D	775
3-5	7.5-10	906FK0201	VS50D	775
7-1/2 - 10	15-20	906FK0301	VS50D	775
15-20	25-40	906FK0401	VS50D	900
25-30	50-60	906FK0501	VS50D	950
40-60	75-125	906FK1101	VS50D	1,600
75	150	906FK1201	VS50D	2,350
100-150	200-300	Standard on FB model drives.		
—	400-600	906FK3101	VS50D	775 (a)

(a) Included in drive price and must be specified with regenerative 400-600 Hp drives.

200 & 575 Volt Motors

### Line Filter Kit

The Line Filter kit is used on 400-600 Hp FlexPak 3000 drives when the primary of the drive's source transformer is greater than 2300 VRMS. The kit helps attenuate high voltage spikes that capacitively couple from the transformer primary to secondary.

IEC Frame Motors

Hp	Kit Catalog Number	Mult. Sym.	List Price
400-600	918FK0601	VS50D	750

50 Hertz Motors

### Operator Interface Module (OIM) Remote Mounting Kit

The kit includes a cable, bezel and blank OIM replacement panel for mounting to the drive chassis in applications where it is desirable to locate the OIM away from the drive or in a cabinet door. The OIM can be then mounted up to 5 meters from the drive.

Kit Catalog Number	Mult. Sym.	List Price
905FK0101	VS50D	150

Inverter/Vector Motors & Controls

### V4.3 Regulator Upgrade <sup>(b)</sup>

This kit includes a V4.3 regulator board, grounding harness, CS3000 software and V4.3 software manual. This kit can be used to upgrade V3.0(2) or higher FlexPak 3000 drives.

Kit Catalog Number	Mult. Sym.	List Price
920FK0042	VS50D	775

DC Motors and Controls

### Operator Interface Module (OIM) Drive-Mounted Kit <sup>(c)</sup>

This kit includes an OIM and all necessary connection hardware. This option is available for FlexPak 3000 Power Module drives (standard on FlexPak 3000 drives).

Kit Catalog Number	Mult. Sym.	List Price
317C160D	VS50D	600

Soft Start & Dynamic Brakes

(b) Upgrading from a Version 2 FlexPak3000 Drive to Version 4 requires that both the regulator board and OIM kit be upgraded.  
(c) Second last digit of controller M/N must be "3" or higher.

### FlexPak 3000 Drive Options

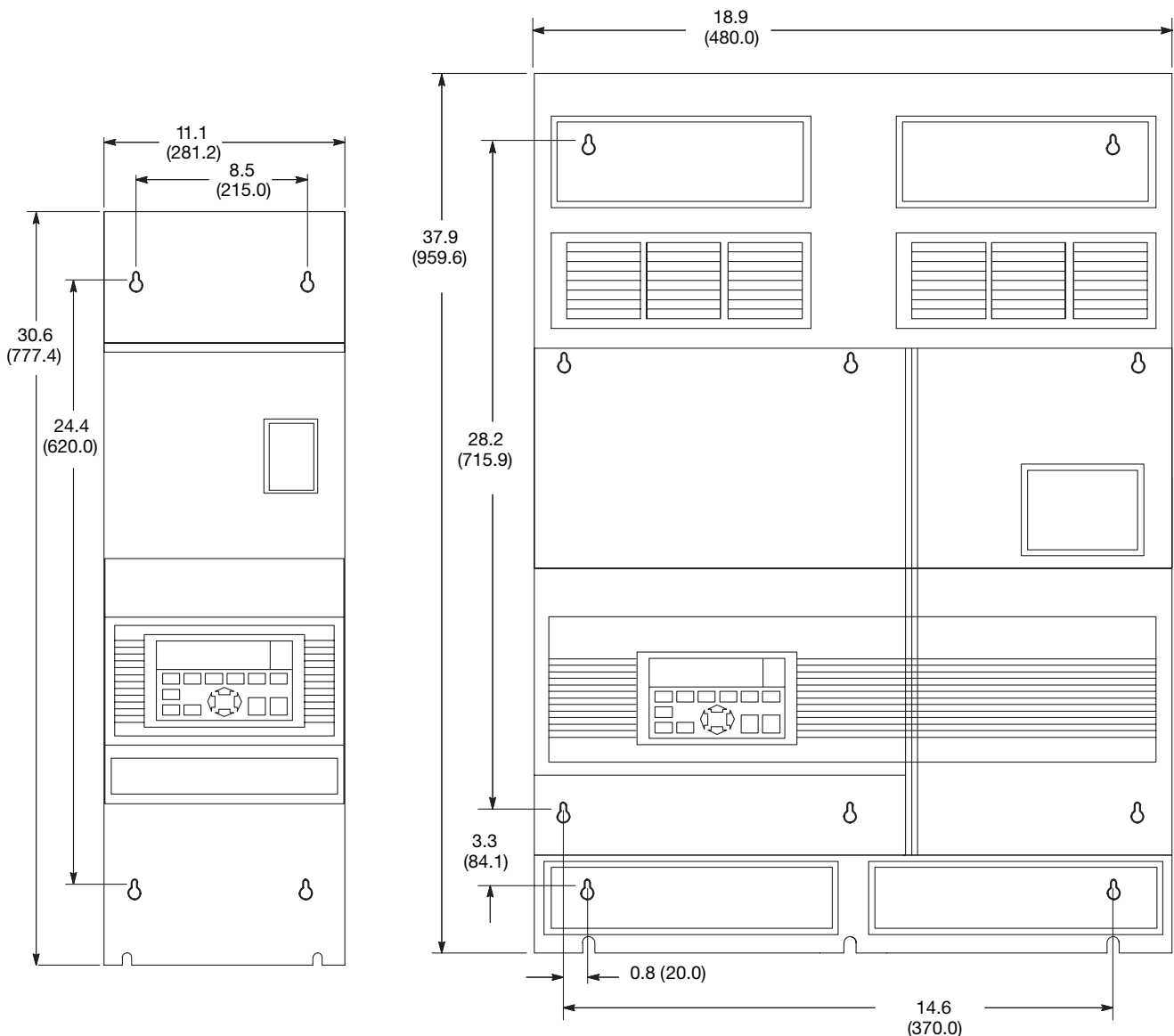
#### NEMA 1 Conversion Kit

This modification allows conversion of standard chassis to NEMA 1 enclosure. This kit cannot be used with FlexPak 3000 Power Module drives.

HP Rating 230 VAC	HP Rating 460 VAC	Kit Catalog Number	Mult. Sym.	Kit List Price
1-1/2 - 30	3-60	904FK0101	VS50D	900
40-75	75-150	904FK0201	VS50D	1,100
100-150	200-300	N/A	N/A	N/A
—	400-600	N/A	N/A	N/A

#### Dimensions

Hp Rating 230VAC	Hp Rating 460VAC	Width Inches (mm)	Height Inches (mm)	Attached Depth Inches (mm)
1-1/2 - 30	3-60	11.1 (281.2)	30.6 (777.4)	12.15 (308.57)
40-75	75-150	18.9 (480)	37.8 (959.6)	13.1 (332.8)



HVAC Motors

Farm Duty Motors

Definite Purpose Motors

Brake Motors

200 & 575 Volt Motors

IEC Frame Motors

50 Hertz Motors

Inverter/Vector Motors & Controls

DC Motors and Controls

Soft Start & Dynamic Brakes

HVAC Motors

### FlexPak 3000 Drive Options Software Programming and RS-232 Cables

#### CS3000 Software, Control and Configuration

This is a Microsoft Windows® based software package which allows drive Control & Configuration. The user is allowed to create, store, upload, download, monitor, control and/or compare parameter values in a user-friendly environment.

Compare; when performed either locally or over a remote modem allows quick qualification of any changed parameters. Differences are displayed on the PC and may be printed.

- Edit; allows programming via PC.
- Download; allows one step programming of multiple parameters from drive memory.
- Upload; allows identification of existing drive parameters from drive memory.
- Drive control;
  - Monitors 6 display values
  - Speed reference (scalable)
  - Motor speed
  - Armature volts
  - Motor current
  - Percent load
  - Configurable displays are;
    - Speed reference
    - Control source
    - Auto/Manual mode
    - Fwd/Rev direction
    - Operational keys displayed;
      - Run, Jog, Stop, Reset
- Fault/Alarm Log; allows fault and alarm history for diagnosis of operation.
- PC Scope feature; allows monitoring and trace of two drive parameters for diagnostics and tuning of the drive.

Captured data can also be saved as an ASCII text file or can be compared to previous traces. <sup>(a)</sup>

Provided on a 3.5" diskette with manual. <sup>(b)</sup> Note that this software is also compatible with GV3000 AC drives.

Reference Manual Number: D2-3348

Catalog Number	Mult. Sym.	List Price
<b>2CS3000</b> <sup>(c)</sup>	E8	418

#### CS3000 Computer Cable

The 9-pin connector connects to the PC and the 25-pin connector connects to the FlexPak 3000 drive.

Model Number \* **2CA3001**

<sup>(a)</sup> Requires V4.0 or later

<sup>(b)</sup> If a 3.5" disc drive is not available, contact your local Baldor•Reliance District Office for software package compatible with your PC storage.

<sup>(c)</sup> Requires Microsoft Windows 2000® or earlier version.

Farm Duty Motors

Definite Purpose Motors

Brake Motors

200 & 575 Volt Motors

IEC Frame Motors

50 Hertz Motors

Inverter/Vector Motors & Controls

DC Motors and Controls

Soft Start & Dynamic Brakes

### FlexPak 3000 Drive Options Tachometer/Encoder (Speed Feedback)

#### Advantages of Closed-Loop Speed Regulation

For improved speed regulation, add a motor-mounted tachometer. For the best regulation, use an encoder (pulse tachometer) kit. Use the chart below to select speed feedback kits.

Speed Feedback	Maximum Input	Type Tachometer	Regulation	Non-Regen.	Regen.	Speed Feedback Kit Catalog Number	Mult. Sym.	Speed Feedback Kit Less Tachometer/Encoder List
Armature Voltage	-	-	2%	√	√	-	-	-
AC Tachometer	250 VAC	RE 045	1%	√		907FK0301 <sup>(b)</sup>	VS50D	300
DC Tachometer <sup>(f)</sup>	250 VDC	5PY	1%	√	√	Std.	VS50D	Std.
Encoder (Pulse)	73KHz <sup>(a)</sup>	RD-120-1 <sup>(c) (e)</sup>	0.01%	√		907FK0101	VS50D	300
Encoder (Pulse)	73KHz <sup>(a)</sup>	RD-120-2 V	0.01%		√	907FK0101	VS50D	300
Encoder (Pulse)	73KHz <sup>(a)</sup>	H56 <sup>(c)</sup>	0.01%	√	√	907FK0101	VS50D	300
Encoder (Pulse)	73KHz <sup>(a)</sup>	RL-1024 <sup>(d)</sup>	0.01%	√	√	907FK0101	VS50D	300

(a)  $\frac{PPR \times RPM}{60,000} = KHz$

(b) Kit is intended for use with existing motors that have RE045 tachometers. For new motor and tachometer applications, select another tachometer and appropriate feedback kit. AC tachometers are not suitable for Regenerative reversing drive applications.

(c) 120 PPR

(d) 1024 PPR

(e) Not suitable for use in TENV frames DC180, DC210, or C180.

(f) Requires minimum 18VDC/1000 tachometer.



### Digital Speed Potentiometer with Display



Baldor's microprocessor-based digital speed potentiometer with LED display of set speed may be used to replace the conventional 3-wire analog speed pot for most AC and DC drives. Desired set speed may be entered into the large 1/2" LED display by pressing the "up" and "down" pushbuttons: one digit at a time or in a fast sweep. Display shows 0.1% increments of full motor speed (0-100%).

#### Specifications

Temperature	-10°C to +45°C
AC input voltage	85-264 VAC
Input frequency	50/60 Hz
Supply voltage applied across output	5 VDC to 15 VDC
Speed regulation	Same as driven unit
Input impedance to DSP4 will drive	500 ohm to 100 K ohm
Output	Isolated 3-wire pseudo-pot (normal or inverted output)
Display settings	0-100% of set speed range in 0.1% increments (resolution of 1000)
Non-volatile memory	Retains last set point upon loss of AC power (user selectable via dip switch settings)

Catalog Number	Description	List Price	Mult. Sym.	Ap'x. Shpg. Wgt.	Input Voltage
DSP4-6	Digital Speed Potentiometer with Display	509	E9	2	120/240 VAC 50/60 hz

### Field Programmable Digital Tachometer for Rate and Time with Display



Baldor offers an economical micro-processor-based digital tachometer capable of measuring motor speeds as low as 1 rpm that is field programmable for desired user specified units: RPM, FPM and GPM. Process time or other engineering units requires an input signal unit with 1 to 30,000 PPR such as the HPU and RK60 devices. For use with digital tachometers.

#### Specifications

Temperature	-10°C to +45°C
AC input voltage	85-264 VAC
Input frequency	50/60 Hz
Input pulse rate	1 to 30,000 input pulses per minute
Resolution	from 0.01 RPM
Accuracy	±0.04% display update every pulse or 0.5 seconds, whichever is longer
Isolated high/low alarm output	5 amp 240 VAC max.
Transducer signal input	0-5 to 0-24 VDC square wave (hall-effect, photoelectric, magnetic or any TTL NPN open collector device.)

Catalog Number	Description	List Price	Mult. Sym.	Ap'x. Shpg. Wgt.	Input Voltage
DTM8000-6	Digital Tachometer for Rate & Time with Display	578	E9	1	120/240 VAC 50/60 hz

HVAC Motors

Farm Duty Motors

Definite Purpose Motors

Brake Motors

200 & 575 Volt Motors

IEC Frame Motors

50 Hertz Motors

Inverter/Vector Motors & Controls

DC Motors and Controls

Soft Start & Dynamic Brakes

### Hall Effect Pickup HPU10



Provides square wave pulse feedback. HPU mounts to a stub shaft opposite the pulley end of the motor and provides 10 pulses per revolution. May be installed through Baldor's Mod-Express

**Features:** HPU10 Series pick-up mounts directly on shaft being monitored using a single 10-32 screw (motor shaft requires modification and/or an adapter). Use with BC450/BC440 DC controls and DTM8000 digital tachometer.

#### Specifications

Temperature	-10°C to +45°C
Supply Voltage	+4.5 to +24 VDC
Maximum Speed	5000 RPM
Output Cable	6 foot rubber-jacketed, 3 wire 18 AWG conductors Red Wire: +VDC supply input Black Wire: Common White Wire: Signal
Output Signal	10 pulses per revolution NPN output signal with built-in pull-up resistor. Square wave output, signal voltage equals supply voltage. +5 VDC to +24 VDC supply voltage. Current sink: 5 mA maximum
Bearings	Stainless steel ball bearing
Enclosure	Compact housing molded of "Santoprene" plastic rubber

### Hall Effect Pickup RK60



Provides square wave pulse feedback. The RK models are ring kits that mount to the 56C and 145TC face of the motor. May be installed through Baldor's Mod-Express

**Features:** RK60 Series hall effect pick-up consists of a motor mounted C-face ring, sensor, mounting bolts, and magnet disc. Use with BC450/BC440 DC controls and DTM8000 digital tachometer.

#### Specifications

Temperature	-40°C to +125°C
Supply Voltage	+4.5 to +24 VDC
Output Connection	3 wires Red Wire: +VDC supply input Black Wire: Common Blue Wire: Signal
Output Signal	60 pulses per revolution NPN output signal (may require external pull-up resistor). Square wave output, signal voltage equals supply voltage. +5 VDC to +24 VDC supply voltage. Current sink: 20 mA
Sensing Disk	Molded magnet sensing disc, impervious to dust, dirt, and oil
Mounting	C-face mounting ring has double C-face and is 0.750" thick. (Please note that usable shaft length will be reduced by 0.750". Check application for suitability).



**TK3300-HPU  
Mounting Kit  
for TENV/33P  
DC Motors**



**TK3400-HPU  
Mounting Kit  
for TEFC/34P  
DC Motors**

Catalog Number	Description	List Price	Mult. Sym.	Ap'x. Shpg. Wgt.
HPU10	10 PPR Hall-Effect Pickup	192	E9	2
RK60-56	60 PPR Hall-Effect Pickup with 56C Ring Kit	632	E9	2
RK60-145	60 PPR Hall-Effect Pickup with 143-145TC Ring Kit	632	E9	2
TK3300-HPU	HPU10 Mounting Kit for TENV/33P DC Motors (does not include pickup)	95	A8	1
TK3400-HPU	HPU10 Mounting Kit for TEFC/34P DC Motors (does not include pickup)	110	A8	1

HVAC Motors

Farm Duty Motors

Definite Purpose Motors

Brake Motors

200 & 575 Volt Motors

IEC Frame Motors

50 Hertz Motors

Inverter/Vector Motors & Controls

DC Motors and Controls

Soft Start & Dynamic Brakes

### Digital DC Controls

**1/20 thru 1 Hp    115 VAC Single Phase 50/60 Hz**  
**1/8 thru 2 Hp    230 VAC Single Phase 50/60 Hz**



**Applications:** General purpose industrial use with permanent magnet motors.

**Features:** Compact programmable DC speed control with digital closed loop feedback and LED display. Front-panel programming allows customizing the control function and can display the set speed in RPM, FPM, GPM, process time or any other engineering units. Programmable parameters include minimum and maximum speed, decimal points, operating mode (leader or follower), and Run/Jog functions. Industry standard cutout dimensions of 1/8 DIN and 1/4 DIN provide easy panel installation and NEMA 4X faceplate with supplied gasket. Use with hall effect pickup shown on page 323.

### Specifications

Temperature	-10 Deg C to +45 Deg C
AC input voltage	Universal power supply rated at 85 to 265 VAC
Input frequency	50/60 Hz
Overload capacity	200% for 1 minute
Motor Feedback Input	0-24 Volt Square Wave Digital Tachometer
On-board power supply	5 VDC, 50mA (for external feedback sensor)
Pulse input capacity	50,000 PPM (500,000 with divider function on)

Hp Range	Catalog Number	Description	List Price	Mult. Sym.	Ap'x. Shpg. Wgt.	Input Voltage
1/20-1/2	BC440-6	Digital Closed Loop DC Speed Control,	816	E9	2	115 VAC 50/60 Hz
1/8-1		1/8 DIN Panel Mount				230 VAC 50/60 Hz
1/8-1	BC450-6	Digital Closed Loop DC Speed Control,	1,111	E9	2	115 VAC 50/60 Hz
1/4-2		1/4 DIN Panel Mount				230 VAC 50/60 Hz

HVAC Motors

Farm Duty Motors

Definite Purpose Motors

Brake Motors

200 & 575 Volt Motors

IEC Frame Motors

50 Hertz Motors

Inverter/Vector Motors & Controls

DC Motors and Controls

Soft Start & Dynamic Brakes

### Digital Soft Start Controls



**9 thru 900 Amps**  
**9 thru 900 Amps**

**208-460V 50/60 Hz.**  
**208-575V 50/60 Hz.**

**Applications:** Controlled ramp start and stop, minimize spillage in material handling, reduced water hammer in pumping, reduced wear on mechanical gears, eliminate high inrush current, and energy optimizing of under loaded motors. Typical applications include: pumps, conveyors, fans, reciprocating compressors and screw and rotary compressors

**Features:** Six SCR three phase voltage control with programmable starting ramp and current limit. Application software senses changing load conditions and adapts to increase performance. Power factor optimization eliminates motor over-fluxing and allows under-loaded or over-sized motors to operate more efficiently. NEMA 1 enclosure.

#### Design Specifications

- MOV protection
- Current feedback
- Microprocessor Control
- Power factor sensing
- Energy optimization
- One programmable input
- Two programmable form C outputs

#### Custom Product Capabilities

- NEMA 12, 4 or 3R enclosures with bypass contactor
- Flange mounted input disconnect
- Input circuit breaker or fuses
- Input contactor
- 3 wire start/stop pushbuttons
- 2 wire Hand-Off-Auto switch
- Indicating lights
- Large units up to 1800 amps

#### Environmental and Operating Conditions

- Input voltage  
3 phase 208-575V
- Control voltage 120VAC
- Input frequency 50/60 Hz
- Humidity 90% RH condensing
- 3000 feet altitude
- 40°C ambient temperature

#### Protective Features

- Current limit
- Shorted SCR detection
- SCR overload
- Shear pin-over-current detection
- Low current/under-load detection
- Input phase loss on start up
- Heat sink over-temperature

<b>Output</b>	Voltage	208-460V, 230-575V
	Current	9-900A
	Horsepower	Voltage and application rated, 5-700Hp
	Short Circuit	5000 Amperes symmetrical
	Altitude Derate	1% per 330 feet above 3300 feet
	Temperature Derate	2% per one °C above 40°C up to 60°C
<b>Overload</b>	Standard Duty	300% Motor full load amps at 35 seconds, 400% Motor full load amps at 6 seconds
	Medium Duty	300% Motor full load amps at 60 seconds, 400% Motor full load amps at 12 seconds
	Heavy Duty	300% Motor full load amps at 80 seconds, 400% Motor full load amps at 35 seconds
<b>Input Ratings</b>	Voltage	208-460V, 230-575V
	Frequency	50/60 Hz
	Phase	Three Phase
<b>Control Spec</b>	Control Method	Microprocessor controlled full wave, three phase, six thyristor firing
	Start Time	Programmable 1-255 seconds
	Stop Time	Programmable 0-255 seconds
	Voltage Pedestal	Programmable: Start 10-60%, Kick 60-90%, Stop 10-60%
	Current Limit	800% of rated current
	Power Factor	Continuously monitored to eliminate motor over-flux for power optimizing
<b>SCR Spec</b>	Peak Inverse Voltage	460VAC controllers 1400V
		575VAC controllers 1600V
	Heat Loss	3.3 Watts per 1 Ampere running current
<b>Ambient Conditions</b>	Temperature	Enclosed 0-40°C
	Cooling	Convection / Forced Air included when required
	Altitude	3300 feet above sea level

Farm Duty Motors

Definite Purpose Motors

Material Unit Handling

Brake Motors

200 & 575 Volt Motors

IEC Frame Motors

50 Hertz Motors

Inverter/Vector Motors & Controls

DC Motors and Controls

Soft Starters & Dynamic Brakes



## Digital Soft Start Controls - Typical Applications

### Standard Duty

- Agitator
- Axial Blower
- Axial Fan
- Band Saw
- Centrifugal Pump
- Chiller
- Escalator
- Low Inertia Fan
- Propeller Fan
- Small Pump

### Medium Duty

- Circular Saw
- Conveyor, Screw Feeder
- Drilling Press
- Elevator
- Flywheel Press
- Grinder
- Hammer Press

- High Inertia Fan
- Large Pump
- Mill Mixer
- Pelletizer / Pulper
- Positive Displacement Pump
- Reciprocating Compressor
- Vibrating Screen

### Heavy Duty

- Centrifugal Blower
- Centrifugal Fan
- Chipper
- Disintegrator
- Loaded Centrifuge
- Loaded Mixer
- Loaded Screw Compressor
- Loaded Reciprocating Compressor
- Pulverizer
- Rock Crusher
- Separator

Standard Duty <sup>(a)</sup>			Medium Duty <sup>(b)</sup>			Heavy Duty <sup>(c)</sup>			Cont. Output Amps	Catalog Number	List Price	Mult. Sym.	Size
208V <sup>(d)</sup>	230V	460V	208V <sup>(d)</sup>	230V	460V	208V <sup>(d)</sup>	230V	460V					
<b>Motor Application Horsepower @ 10 Starts per hour Maximum</b>													
—	—	5	—	—	5	—	—	—	9	MD7-009-CB	1,789	E7	1
3	5	10	—	—	7.5	—	—	5	16	MD7-016-CB	1,858	E7	1
5	7.5	15	—	5	10	—	—	7.5	23	MD7-023-CB	2,045	E7	1
7.5	10	20	5	7.5	15	—	—	10	30	MD7-030-CB	2,221	E7	1
10	15	30	7.5	10	20	—	5	15	44	MD7-044-CB	2,531	E7	1
15	20	40	10	15	30	5	7.5	20	59	MD7-059-CB	2,836	E7	1
20	25	50	15	15	40	7.5	10	30	72	MD7-072-CB	3,207	E7	1
25	30	60	15	20	50	10	15	40	85	MD7-085-CB	3,390	E7	1
30	40	75	20	30	60	15	20	50	105	MD7-105-CB	4,087	E7	1
40	50	100	30	40	75	20	30	60	146	MD7-146-CB	4,828	E7	1
50	60	125	40	50	100	30	40	75	174	MD7-174-CB	6,400	E7	2
60	75	150	50	60	125	40	50	100	202	MD7-202-CB	7,103	E7	2
75	100	200	60	75	150	50	60	125	242	MD7-242-CB	7,634	E7	2
<b>Motor Application Horsepower @ 3 Starts per hour Maximum</b>													
100	125	250	75	100	200	60	75	150	300	MD7-300-CB	8,509	E7	2
125	150	300	100	125	250	75	100	200	370	MD7-370-CB	9,214	E7	2
150	200	400	125	150	300	100	125	250	500	MD7-500-CB	12,599	E7	3
200		500	150	200	400	125	150	300	600	MD7-600-CB	13,679	E7	3
		600	200		500	150	200	400	750	MD7-750-CB	16,330	E7	3
		700			600	200		500	900	MD7-900-CB	17,679	E7	3

Standard Duty <sup>(a)</sup>			Medium Duty <sup>(b)</sup>			Heavy Duty <sup>(c)</sup>			Cont. Output Amps	Catalog Number	List Price	Mult. Sym.	Size
575V			575V			575V							
<b>Motor Application Horsepower @ 10 Starts per hour Maximum</b>													
	7.5			5			—		9	MD8-009-CB	2,057	E7	1
	10			7.5			5		16	MD8-016-CB	2,137	E7	1
	20			10			7.5		23	MD8-023-CB	2,351	E7	1
	25			20			10		30	MD8-030-CB	2,554	E7	1
	40			30			20		44	MD8-044-CB	2,910	E7	1
	50			40			30		59	MD8-059-CB	3,261	E7	1
	60			50			40		72	MD8-072-CB	3,687	E7	1
	75			60			50		85	MD8-085-CB	3,898	E7	1
	100			75			60		105	MD8-105-CB	4,699	E7	1
	125			125			100		146	MD8-146-CB	5,553	E7	1
	150			—			—		174	MD8-174-CB	7,359	E7	2
	200			150			125		202	MD8-202-CB	8,167	E7	2
	250			200			150		242	MD8-242-CB	8,778	E7	2
<b>Motor Application Horsepower @ 3 Starts per hour Maximum</b>													
	250			—			—		300	MD8-300-CB	9,648	E7	2
	300			250			—		370	MD8-370-CB	10,597	E7	2
	400			300			300		500	MD8-500-CB	14,486	E7	3
	500			400			400		600	MD8-600-CB	15,733	E7	3
	600			500			500		750	MD8-750-CB	18,783	E7	3
	700			600			600		900	MD8-900-CB	20,332	E7	3

(a) 300% Motor FLA @ 35 Sec., 400% Motor FLA @ 6 Sec.

(b) 300% Motor FLA @ 60 Sec., 400% Motor FLA @ 12 Sec.

(c) 300% Motor FLA @ 80 Sec., 400% Motor FLA @ 35 Sec.

(d) 208V applications are UL listed only to 196V.

Farm Duty Motors

Definite Purpose Motors

Unit Handling Material

Brake Motors

200 & 575 Volt Motors

IEC Frame Motors

50 Hertz Motors

Inverter/Vector Motors & Controls

DC Motors and Controls

Soft Start & Dynamic Brakes

### Digital Soft Start Controls - Dimensions

#### Dimensions

Size	Outside			Mounting		Ap'x. Shpg. Wgt. lbs. (kg)
	Height Inches (mm)	Width Inches (mm)	Depth Inches (mm)	Height Inches (mm)	Width Inches (mm)	
1	16.5 (420)	8.7 (222)	7.7 (195)	15.7 (400)	5.9 (150)	16.1 (7.3) or 18.3 (8.3) > 44 amp
2	20.2 (520)	13.4 (340)	10.4 (265)	19.7 (500)	9.8 (250)	34.5 (15.7) or 48.4 (22) > 200 amp
3	24 (610)	26.6 (675)	15.7 (400)	22.7 (575)	19.7 (500)	143 (65) or 158.4 (72) > 600 amp

### Digital Soft Start Controls - Accessories



#### External MOV

(Metal Oxide Varistor type voltage surge suppressor)

- Protects from line-to-line voltage spikes
- Recommended for all low line impedance applications

Catalog Number	Volts	List Price	Mult. Sym.
MOV505L	460	108	E7
MOV620EL	575	102	E7



#### Remote Keypad with Cable

- 32 Character English alphanumeric display
- NEMA 4X indoor enclosure
- Backlit LCD

Catalog Number	Cable Length	List Price	Mult. Sym.
CBLDS015KP	5 ft.	453	E8

#### Expansion Board

- Two programmable relay outputs with FORM C contact (normally open and normally closed)
- Two programmable analog outputs (0-10V @ 10mA maximum)
- One programmable or 4-20mA analog input

Catalog Number	List Price	Mult. Sym.
EB0389A00SP	681	E8





## Multipurpose Solid State Soft Starter

**8 thru 420 Amps**  
**8 thru 30 Amps**

**208/230/460V 60 Hz.**  
**208/230/460/575V 60 Hz.**



**Applications:** Controlled ramp start and stop, minimize spillage in material handling applications and water hammer in pumping equipment. Current limit provides a current ceiling to limit peak demand on start and constant current starting of high inertial loads such as chippers, centrifuges and compressors. Typical applications include: small and large pumps, conveyors, low and high inertia fans, reciprocating compressors, screw and rotary compressors.

**Features:** Six SCR power devices and several enclosure options. Tachometer feedback may be used to provide consistent starting independent of load conditions on textile, material handling and pumping equipment.

### Design Specifications

- Current feedback
- Microprocessor Control
- Power factor sensing
- Energy optimization
- One programmable input
- Two programmable form C outputs
- Programmable current limit

### Environmental and Operating Conditions

- Input voltage  
3 phase 208-575V
- Control voltage 120VAC
- Input frequency 50/60 Hz
- Humidity 90% RH condensing
- 3000 feet altitude
- 40°C ambient temperature

### Protective Features

- Current limit
- Shorted SCR detection
- SCR overload
- Shear pin-over-current detection
- Low current/under-load detection
- Input phase loss on start up
- Heat sink over-temperature

Model Number	208/230/460 VAC 60 Hz.	MA7-008-CA	MA7-016-CA	MA7-030-CA	MB7-055-CP	MB7-080-CP	MB7-160-CP	MB7-250-CP	MB7-420-CP	
<b>Control only</b>	208/230/460/575 VAC 60 Hz.	MA8-008-CA	MA8-016-CA	MA8-030-CA	—	—	—	—	—	
<b>Output Ratings</b>	Hp Rating	230 VAC	2	5	10	20	30	60	100	150
		460 VAC	5	10	20	40	60	125	200	350
		575 VAC	5	10	20	—	—	—	—	—
	Current Rating	8 Amp	16 Amp	30 Amp	55 Amp	80 Amp	160 Amp	240 Amp	420 Amp	
	Overload Rating	Continuous 115% of FLA; 400% for 30 seconds								
Derate	Above 1000m (3300 Ft.) decrease amp rating 1% for each additional 100m (330 ft.)									
	Above 45° (115°F) decrease amp rating 1.0% for each additional °C (0.84%/°F)									
<b>Input Rating</b>	Frequency	60 Hz. ±5%								
	Voltage	+10% to -15% (except for 575 VAC units max. VAC is 620)								
	Phase	Three Phase								
<b>Control Spec.</b>	Control Method	6 SCRs connected in inverse parallel for full-wave control								
	Start Time	Adjustable 3-50 seconds (current limit starting is not timed)								
	Stop Time	Adjustable 5-50 seconds to extend stopping time								
	Initial Torque	Adjustable starting 0-75%; Stopping 0-100%								
	Current Limit	Adjustable 75-400% of full load amps								
	Pulse Time	Adjustable 0-1.5 seconds								
	Current Monitor	Adjustable 50-400% of full load amps (causes a contact closure or control shut down when current level is reached after starting)								
	Power Factor	Adjustable for max. reduced motor voltage dependent on motor load								
	Control Power	Self-powered				External Transformer				
	Status Contacts	125 VAC at 0.5 Amp normally open								
<b>SCR Spec.</b>	Peak Inverse Voltage	460 VAC Starters 1200 VAC								
		575 VAC Starters 1600 VAC								
<b>Protective Functions</b>	Over Current	Over current shut down at 450% of motor full load amps								
	Shorted SCR Detection	Shunt trip contact								
	SCR Thermostat	Trips on over temperature of heat sink on 55 amp sizes and above								
	Voltage Transient	Metal oxide varistor (MOV)								
<b>Ambient Conditions</b>	Temperature	Enclosed 0-45°C (32 to 113°F) open/panel 0 to 50°C (32 to 122°F)								
	Cooling	Convection				Forced Air				

Farm Duty Motors

Definite Purpose Motors

Material Unit Handling

Brake Motors

200 & 575 Volt Motors

IEC Frame Motors

50 Hertz Motors

Inverter/Vector Motors & Controls

DC Motors and Controls

Soft Start & Dynamic Brakes

### Multipurpose Solid State Soft Starter

Amp Size	Max Hp at VAC				Catalog Number	List Price	Mult. Sym.
	208	230	460	575			
<b>Combination Starter (a)</b>							
<b>NEMA 12 (can also be used for NEMA 1)</b>							
55	15	20	40	—	MB7-055-GC	5,834	E7
80	25	30	60	—	MB7-080-GC	6,398	E7
160	50	60	125	—	MB7-160-GC	13,634	E7
250	75	100	200	—	MB7-250-GC	15,685	E7
420	150	150	350	—	MB7-420-GC	20,111	E7
<b>NEMA 1 - 208/230/460 Volts</b>							
80	25	30	60	—	MB7-080-AB	7,748	E7
160	50	60	125	—	MB7-160-AB	10,217	E7
250	60	75	150	—	MB7-250-AB-1	12,200	E7
250	75	100	200	—	MB7-250-AB	12,754	E7
420	150	150	350	—	MB7-420-AB	14,645	E7
<b>Non-Combination Starter (a)</b>							
<b>NEMA 1</b>							
160	50	60	125	—	MB7-160-BB	8,641	E7
250	75	100	200	—	MB7-250-BB	9,615	E7
420	150	150	350	—	MB7-420-BB	11,557	E7
<b>Control Only</b>							
<b>Open/Panel</b>							
8	2	2	5	—	MA7-008-CA	1,269	E7
16	3	5	10	—	MA7-016-CA	1,335	E7
30	7.5	10	20	—	MA7-030-CA	1,566	E7
55	15	20	40	—	MB7-055-CP	2,968	E7
80	25	30	60	—	MB7-080-CP	4,253	E7
160	50	60	125	—	MB7-160-CP	5,535	E7
250	75	100	200	—	MB7-250-CP	7,584	E7
420	150	150	350	—	MB7-420-CP	9,526	E7
8	2	2	5	5	MA8-008-CA	1,324	E7
16	3	5	10	10	MA8-016-CA	1,402	E7
30	7.5	10	20	25	MA8-030-CA	1,621	E7
<b>NEMA 1</b>							
160	50	60	125	—	MB7-160-CB	6,724	E7
250	75	100	200	—	MB7-250-CB	8,813	E7
420	150	150	350	—	MB7-420-CB	10,614	E7

(a) Combination Starter includes control, overload relay and circuit breaker. Non-combination Starter includes control and overload relay.

(b) Uses a shunt bypass contactor to short SCR after ramp up (not a full voltage bypass starter). Custom controls available.

### Single Phase Starter

7 thru 110 Amps

115/230V 50/60 Hz.



**Applications:** Use with existing or new magnetic starter. This industrial solid state control will reduce initial starting torque and current of single phase motors allowing them to be started with minimum voltage drop. High starting torque problems such as belt slippage may be eliminated. Ideal for crop driers, augers, bucket elevators and fan or pump applications.

**Features:** Two adjustable starting torque settings. Adjustable starting ramp time to 30 seconds.

Amp Size	Max Hp at VAC		Catalog Number	List Price	Mult. Sym.	Notes (a)
	115	230				
<b>Open/Panel - 115/230 Volts</b>						
7	1/4	3/4	S20CA	538	E7	19
12	1/2	2	S21CA	559	E7	19
24	2	3	S22CA	597	E7	19
40	3	7.5	S23CA	637	E7	19
110	10	—	S25CA	1,065	E7	19

**NOTE:** To size single phase starters use the motor FLA. There is a great variation in FLA between motor manufacturers in these sizes.

(a) See notes on inside back flap and pages 5-6.

Farm Duty  
Motors

Definite Purpose  
Motors

Material  
Unit Handling

Brake Motors

200 & 575 Volt  
Motors

IEC Frame  
Motors

50 Hertz  
Motors

Inverter/Vector  
Motors & Controls

DC Motors  
and Controls

Soft Starters &  
Dynamic Brakes

# BALDOR

### Definite Purpose Soft Start Control

**8 thru 135 Amps**  
**8 thru 30 Amps**  
**8 thru 30 Amps**

**208/230/460V 60 Hz.**  
**220/380/415V 50 Hz.**  
**575V 60 Hz.**



**Applications:** Use with magnetic starter. Excellent for retrofit on cranes, conveyors or fans. Can be used on single speed, multispeed and reversing, soft starting windmilling fans and soft plug reversing.

**Features:** Two adjustable starting torque settings for reversing or two speed applications. Adjustable ramp time from 2-30 seconds.

Amp Size	Max Hp at VAC			Catalog Number	List Price	Mult. Sym.
	208 Volt	230 Volt	460 Volt			
<b>Open/Panel – (Available in NEMA 1 and NEMA 12/3R enclosures)</b>						
	<b>208 Volt</b>	<b>230 Volt</b>	<b>460 Volt</b>			
8	1.5	2	5	D70CA	900	E7
16	3	5	10	D71CA	965	E7
30	7.5	10	20	D72CA	1,087	E7
55	15	20	40	D73CP	2,229	E7
70	20	25	50	D74CP	2,907	E7
135	40	50	100	D75CP	5,179	E7
	<b>220 Volt</b>	<b>380 Volt</b>	<b>415 Volt</b>			
8	2	3.5	4.0	D90CA	900	E7
16	4	6.5	7.5	D91CA	965	E7
30	8	13.5	15	D92CA	1,087	E7
	<b>575 Volt (can be used at 208/230/460 Volts)</b>					
8		5		D80CA	959	E7
16		15		D81CA	1,015	E7
30		25		D82CA	1,131	E7

### Three Phase Torque Control

**7 thru 40 Amps**  
**7 thru 24 Amps**

**208/230/460V 50/60 Hz.**  
**208/230/460/575V 50/60 Hz.**



**Applications:** Use with magnetic starter. A low cost way to reduce starting torque on three phase motors. An alternative to ballast resistors on cranes and conveyors. Suitable for reduced torque on start. Designed to be used with a magnetic contactor. Not suitable for starting high torque loads.

**Features:** Two adjustable starting torque settings for reversing or two speed applications. Adjustable starting ramp time to 7 seconds.

Amp Size	Max Hp at VAC				Catalog Number	List Price	Mult. Sym.
	208	230	460	575			
<b>Open/Panel – 208/230/460 Volts</b>							
7	1.5	2	3	—	T70EA	538	E7
12	3	3	7.5	—	T71EA	559	E7
24	5	7.5	15	—	T72EA	597	E7
40	10	10	30	—	T73EA	637	E7
<b>Open/Panel – 575 Volts (can be used at 208/230/460 Volts)</b>							
7	1.5	2	3	5	T80EA	578	E7
12	3	3	7.5	10	T81EA	597	E7
24	-	7.5	15	20	T82EA	637	E7

Farm Duty Motors

Definite Purpose Motors

Material Unit Handling

Brake Motors

200 &amp; 575 Volt Motors

IEC Frame Motors

50 Hertz Motors

Inverter/Vector Motors &amp; Controls

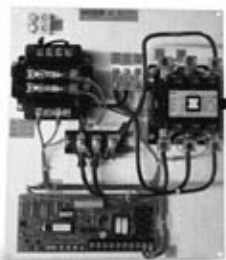
DC Motors and Controls

Soft Start &amp; Dynamic Brakes

### Multipurpose Dynamic Brake

**5-500 HP**  
**5-600 HP**

**208-460V 50/60 Hz**  
**230-575V 50/60 Hz**



**Applications:** Stopping coasting loads such as chippers, saws, cutting tools and conveyors. It can also be used to stop windmilling fans before starting.

**Features:** The Multipurpose Brake is a microprocessor based solid state brake designed to eliminate the problems common to traditional DC injection brakes. To eliminate blown fuses and welded contacts, the microprocessor senses when AC is no longer present before turning "on" the braking. A faster zero speed sensing circuit turns off the braking as soon as the motor stops to reduce motor heating.

#### Design Specifications

- Microprocessor based control
- SCR/Diode power circuit
- Line contactor
- Motor voltage sensing circuit
- Zero speed sensing
- Four braking time ranges
- Three operating modes
- Two adjustable braking magnitude potentiometers

#### Environmental and Operating Conditions

- 40 degrees C
- 1000 feet elevation
- Open panel design
- 208, 230, 460, 575 volt input line voltage
- 50/60 Hz input frequency
- Control voltage 120 VAC

#### Protective Features

- Shorted SCR protection
- Motor terminal voltage sensing
- Time delay to allow motor flux to collapse
- Motor starter interlock contact

Model Number	208/230/460 VAC 50-60 Hz. (a)		BQ7-016-CP	BQ7-030-CP	BQ7-055-CP	BQ7-080-CP	BQ7-135-CP	BQ7-160-CP	BQ7-250-CP	BQ7-420-CP	BQ7-600-CP
	230/460/575 VAC 50-60 Hz. (a)		BQ8-016-CP	BQ8-030-CP	BQ8-055-CP	BQ8-080-CP	BQ8-135-CP	BQ8-160-CP	BQ8-250-CP	BQ8-420-CP	BQ8-600-CP
Output Ratings	Hp Rating	230 VAC	5	10	20	30	50	60	100	150	250
		460 VAC	10	20	40	60	100	125	200	350	500
		575 VAC	10	30	50	75	125	150	250	400	600
Current Rating			16	30	55	80	135	160	250	420	600
Derate		Above 1000m (3300 Ft.) decrease amp rating 1% for each additional 100m (330 ft.) Above 45° (115°F) decrease amp rating 1.5% for additional °C (0.84%/°F)									
Input Rating	Frequency	50-60 Hz. ±5%									
	Voltage	control board 115 VAC +10% to -15%									
	Phase	Three Phase									
Control Spec.	Control Type	Microprocessor Based									
	Control Method	Common Anode SCR and diode to achieve DC									
	Control Power	External control transformer (supplied with certain models) 115 VAC 50-60 Hz. to the control board									
	Power Consumption	1.5 VA by the control board									
	Operating Modes	Master mode (brake controls starting and stopping of motor)									
		Prestop mode (prestop a windmilling load)									
		Basic mode (for replacement of existing dynamic brake)									
	Brake Timer Ranges	1-17 seconds; 15-32 seconds; 30-47 seconds; 45-62 seconds									
	Zero Speed Sensor	Selectable (brake disengages when motor stops rotating)									
	M Contact Rating	10 amp at 125 VAC									
	Brake Magnitudes	Two adjustable brake magnitudes									
	Status LEDs	Power/Ready/Run/Braking									
	Peak Inverse Voltage	460 VAC controls - 1200V; 575 VAC controls - 1600V									
Heat Loss	1 watt per amp while braking										
Diagnostics	Error Indicators	Improper line voltages; Motor contactor failed to open; Brake contactor failed to open; Improper line frequency									
Dimensions	Height x Width x Depth	14.75" x 12.88" x 5"	14.75" x 12.88" x 6"	21" x 21" x 8"	33" x 33" x 9.75"						
Ambient Conditions	Temperature	Enclosed 0-45°C (32° to 113°F) open/panel 0 to 50°C (32° to 122°F)									

(a) For 50 Hz. applications use the brakes without a transformer and supply a separate 115 VAC supply to the brake control board and contactor. The brake can also be ordered as a BQ9 - XXX - XX for 380/400/415 VAC applications. It will have the control transformer mounted on the panel.

## Multipurpose Dynamic Brake

Amp Size	Max Hp at VAC			Catalog Number	List Price	Mult. Sym.
	208	230	460			
<b>Open/Panel</b>						
16	3	5	10	<b>BQ7-016-CP</b>	1,241	E7
30	10	10	25	<b>BQ7-030-CP</b>	1,318	E7
55	15	20	40	<b>BQ7-055-CP</b>	1,738	E7
80	25	30	60	<b>BQ7-080-CP</b>	2,605	E7
135	40	50	100	<b>BQ7-135-CP</b>	4,168	E7
160	50	60	125	<b>BQ7-160-CP</b>	4,891	E7
250	75	100	200	<b>BQ7-250-CP</b>	5,931	E7
420	125	150	350	<b>BQ7-420-CP</b>	8,318	E7
600	200	200	500	<b>BQ7-600-CP</b>	16,924	E7
<b>NEMA 12</b>						
16	3	5	10	<b>BQ7-016-CC</b>	1,399	E7
30	10	10	25	<b>BQ7-030-CC</b>	1,476	E7
55	15	20	40	<b>BQ7-055-CC</b>	1,896	E7
80	25	30	60	<b>BQ7-080-CC</b>	2,764	E7
135	40	50	100	<b>BQ7-135-CC</b>	4,512	E7
160	50	60	125	<b>BQ7-160-CC</b>	5,237	E7
250	75	100	200	<b>BQ7-250-CC</b>	6,279	E7
420	125	150	350	<b>BQ7-420-CC</b>	10,198	E7
600	200	200	500	<b>BQ7-600-CC</b>	18,803	E7

### Application Notes

- Stopping Time** The Baldor Dynamic Brake can stop the motor faster than the motor will start (at full volts). However, this could damage the motor. It is best that the motor should not stop any faster than the motor starts. A dynamic brake should never be set to stop a load faster than the load starts. Stopping the motor too fast or too frequently can cause motor overheating and possible failure.
- Motor Sizing** Each stop with a dynamic brake should be treated as a start for calculating duty cycle and for sizing the motor. The brake does not have a duty cycle limit.
- Holding Brake** A solid state brake is not a substitute for a mechanical holding brake.
- Motor Types** The Multipurpose Brake has been designed to operate on 3-phase induction motors.
- Brake Sizing** Use the motor FLA and operating voltage to size the brake. All Baldor Multipurpose Brakes can be used on high inertia loads. Extended stopping times are available for use on high inertia loads.

**WARNING:** A DC injection brake is not a replacement for a mechanical or safety brake for emergency stopping

## Single Phase Electronic Motor Brake



**Applications:** Efficient alternative to mechanical brakes, suitable for woodworking machinery, machine tools, bench grinders and buffers. Ideal for OEM equipment or for retrofitting into an existing application.

**Features:** Automatic braking for single-phase motors. User adjustable torque and brake time. Prevents restarts after power has been removed for 7 seconds. Accommodates frequent start/stop applications. Available in panel mount for system integration or with line cord, plug and receptacle in a NEMA 1 enclosure for easy installation.

Catalog Number	Horsepower	Amps	Voltage	List Price	Mult. Sym.	Notes (a)
<b>Panel Mount</b>						
<b>BQ1-015-CP</b>	1	15	110-125	660	E7	33
<b>BQ2-015-CP</b>	2	15	208-230	660	E7	33
<b>NEMA 1</b>						
<b>BQ1-015-CC</b>	1	15	110-125	852	E7	33
<b>BQ2-015-CC</b>	2	15	208-230	852	E7	33

**SUFFIX:** CP = 6"x5"x3" module without cord, receptacle, switch or enclosure.  
CC = 8"x8"x4.5" NEMA 1 enclosure with 9ft. cord, receptacle and switch.

(a) See notes on inside back flap and pages 5-6.

Farm Duty Motors

Definite Purpose Motors

Unit Handling Material

Brake Motors

200 & 575 Volt Motors

IEC Frame Motors

50 Hertz Motors

Inverter/Vector Motors & Controls

DC Motors and Controls

Soft Start & Dynamic Brakes



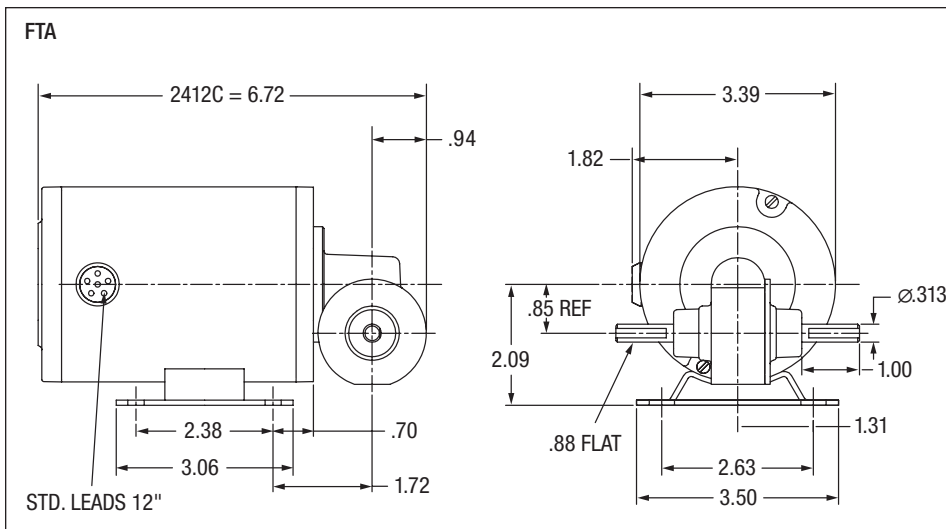
GC24003 Shown  
FTA Style

**Applications:** General purpose fixed speed including conveyors, material handling equipment and packaging machinery.

**Features:** PSC motor design providing 100% starting torque. High strength bronze gearing, hardened and ground worm for quiet operation. High performance low friction, bidirectional motor seals. Factory lubricated with synthetic grease, no routine maintenance is required. Can be mounted in all positions including vertical motor below gearbox.

Input Motor Hp	Output RPM 50/60 Hz	Gear Ratio	Max. Safe Torque In. Lbs.	Catalog Number	List Price	Mult. Sym.	Ap'x. Shpg. Wgt.	Motor Type & Gear Style	Enclosure	Voltage	Notes (b)
<b>Single Phase</b>											
1/50	59/71.4	24:1	7.5	<b>GC24003</b>	338	DS	7	2412C-FTA	TENV	115	19,20

(b) See notes on inside back flap and pages 5-6.









GC24208 Shown  
DB Style

**Applications:** General purpose fixed speed including conveyors, material handling equipment and packaging machinery.

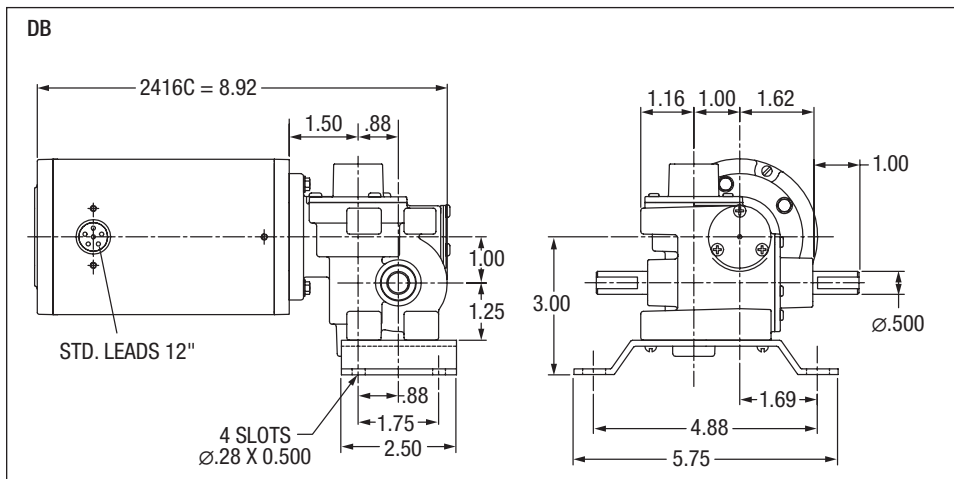
**Features:** PSC motor design provides 100% starting torque. High strength bronze gearing, hardened and ground worm for quiet operation. High performance low friction, bidirectional motor seals. Factory lubricated for life, no maintenance required. Internal oil expansion bladder allows for multiple mounting positions, without relocating a bladder vent.

Input Motor Hp	Output RPM 50/60 Hz	Gear Ratio	Max. Safe Torque In. Lbs.	Catalog Number <sup>(a)</sup>	List Price	Mult. Sym.	Ap'x. Shpg. Wgt.	Motor Type & Gear Style	Enclosure	Voltage	Notes <sup>(b)</sup>
<b>Single Phase</b>											
1/40	11.8/14	117:1	40	GC24208	449	DS	10	2412C-DB	TENV	115	19,20,78

<sup>(a)</sup> Vertical motor below gearhead not recommended.

Avoiding those positions where the high speed oil seal is immersed in oil, will provide greater security against high speed input seal wear.

<sup>(b)</sup> See notes on inside back flap and pages 5-6.





**Applications:** General purpose fixed speed including conveyors, material handling equipment and packaging machinery.

**Features:** Three and single-phase motor designs. High strength bronze gearing, hardened and ground worm for quiet operation. High performance low friction, bidirectional motor seals. Factory lubricated for life, no maintenance required. Internal oil expansion bladder allows for multiple mounting positions, without relocating a breather vent.

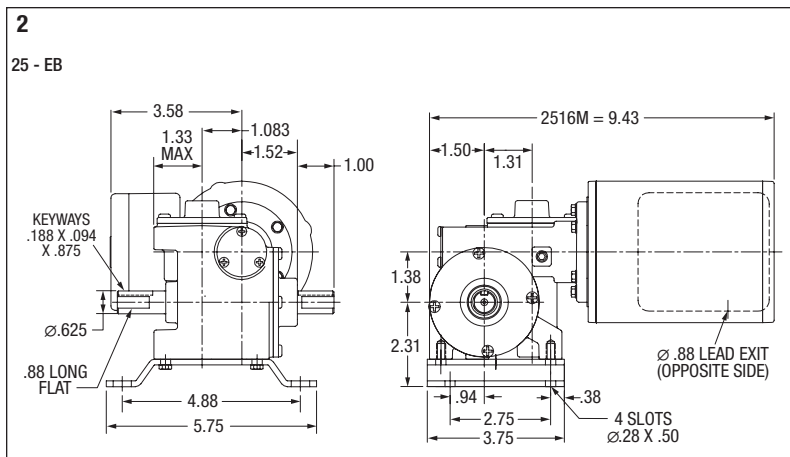
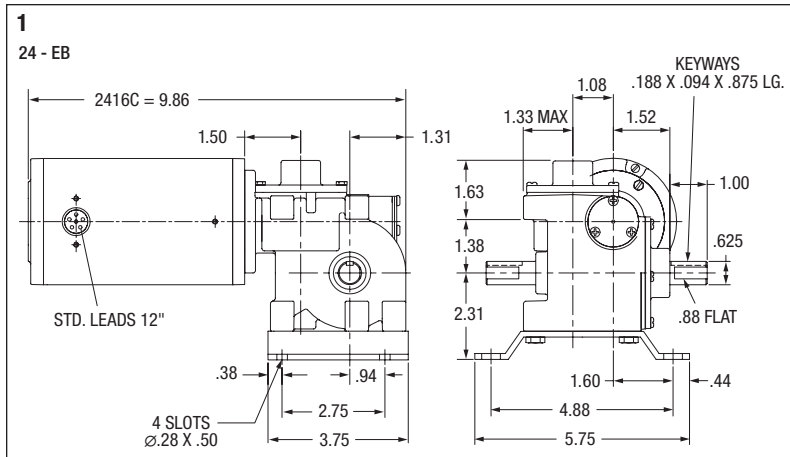
GC24314 Shown  
EB Style

Input Motor Hp	Output RPM 50/60 Hz	Gear Ratio	Max. Safe Torque In. Lbs.	Catalog Number <sup>(a)</sup>	List Price	Mult. Sym.	Ap'x. Shpg. Wgt.	Motor Type & Gear Style	Enclosure	Voltage	Notes <sup>(b)</sup>	Drawing Number
<b>Single Phase</b>												
1/13	7.7/9.3	180:1	175	<b>GC24314</b>	575	DS	10	2416C-EB	TENV	115	19,20,78	1
1/20	12.7/16	100:1	100	<b>GC24312</b>	575	DS	10	2416C-EB	TENV	115	19,20,78	1
<b>Three Phase</b>												
1/12	1.5	1200:1	175	<b>GM25021</b>	608	DS	15	2516M-EB	TENV	208/230-460	20,33	2
	11.3	150:1	125	<b>GM25016</b>	608	DS	15	2516M-EB	TENV	208/230-460	20,33	2

<sup>(a)</sup> Vertical motor below gearhead not recommended.

Avoiding those positions where the high speed oil seal is immersed in oil, will provide greater security against high speed input seal wear.

<sup>(b)</sup> See notes on inside back flap and pages 5-6.





GC25280 Shown  
G Style

**Applications:** General purpose fixed speed including conveyors, material handling equipment and packaging machinery.

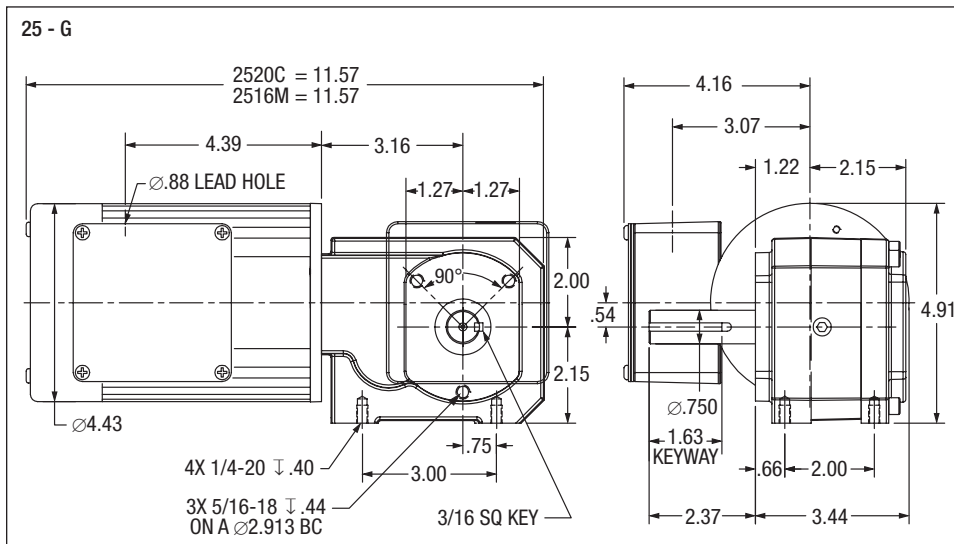
**Features:** Three and single-phase motor designs. PSC, single-phase gearmotors supplied with capacitor and conduit box. High strength bronze, ground worm first-stage and helical output stage. High performance low friction, bidirectional motor seals. Factory lubricated for life, no maintenance required. Completely sealed from the environment.

Input Motor Hp	Output RPM 60 Hz	Gear Ratio	Max. Safe Torque In. Lbs.	Catalog (a) Number	List Price	Mult. Sym.	Ap'x. Shpg. Wgt.	Motor Type & Gear Style	Enclosure	Voltage	Notes (b)
<b>Single Phase</b>											
1/6	4.9/5.9	280:1	400	<b>GC25280</b>	734	DS	15	2520C-G	TEFC	115	19,20
	7.4/8.9	190:1	385	<b>GC25190</b>	734	DS	15	2520C-G	TEFC	115	19,20
	11.6/14	120:1	300	<b>GC25120</b>	734	DS	15	2520C-G	TEFC	115	19,20
	17.5/21	80:1	290	<b>GC25080</b>	734	DS	15	2520C-G	TEFC	115	19,20
	23/28	60:1	220	<b>GC25060</b>	734	DS	15	2520C-G	TEFC	115	19,20
<b>Three Phase</b>											
1/6	4.9/5.9	280:1	400	<b>GM25280</b>	799	DS	12	2516M-G	TEFC	190/380//230/460	19,20
	7.3/8.9	190:1	385	<b>GM25190</b>	799	DS	12	2516M-G	TEFC	190/380//230/460	19,20
	11.3/13.3	120:1	300	<b>GM25120</b>	799	DS	10	2516M-G	TEFC	190/380//230/460	19,20
	16.5/20.4	80:1	310	<b>GM25080</b>	799	DS	12	2516M-G	TEFC	190/380//230/460	19,20
	22.5/27.5	60:1	250	<b>GM25060</b>	799	DS	12	2516M-G	TEFC	190/380//230/460	19,20

(a) Vertical motor below gearhead not recommended.

Avoiding those positions where the high speed oil seal is immersed in oil, will provide greater security against high speed input seal wear.

(b) See notes on inside back flap and pages 5-6.





GC24307 Shown  
KA Style

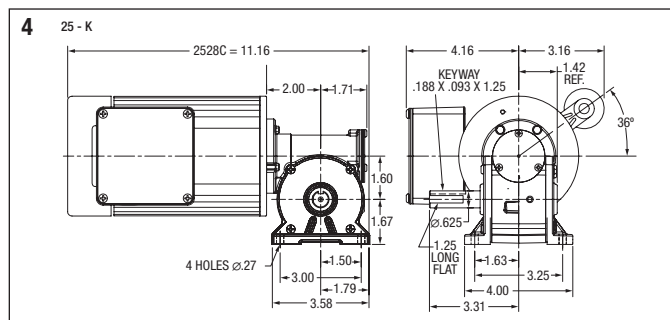
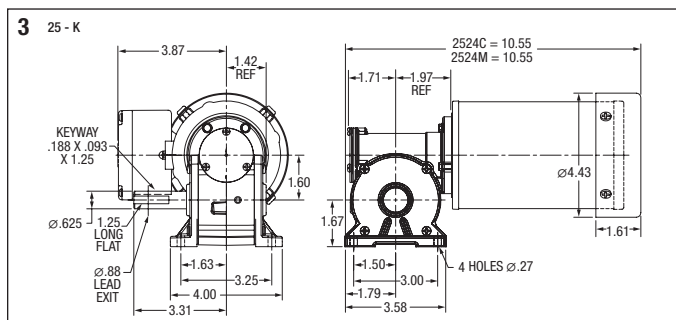
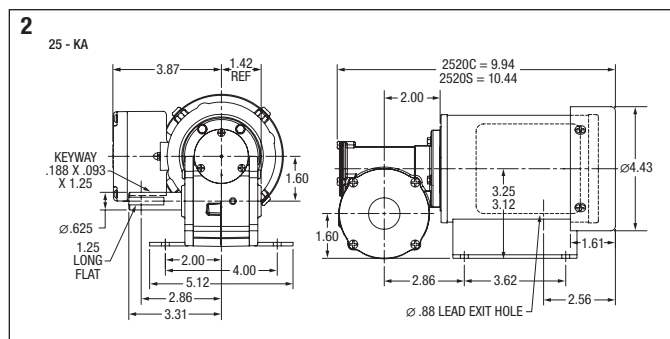
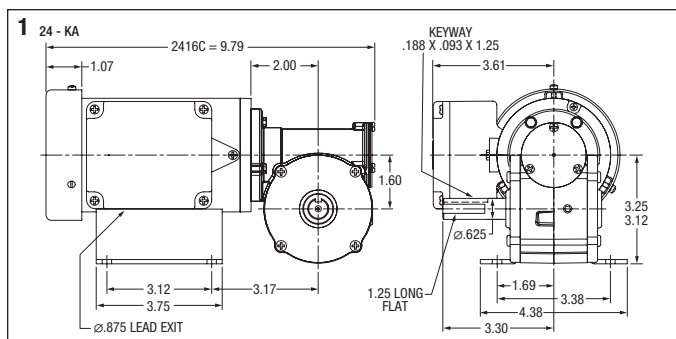
**Applications:** General purpose fixed speed including conveyors, material handling equipment and packaging machinery.

**Features:** Three and single-phase motor designs. High strength bronze gearing, hardened and ground worm for quiet operation. High performance low friction, bidirectional motor seals. Factory lubricated for life, no maintenance required. Internal oil expansion bladder allows for multiple mounting positions, without relocating a breather vent.

Input Motor Hp	Output RPM 50/60 Hz	Gear Ratio	Max. Safe Torque In. Lbs.	Catalog Number <sup>(a)</sup>	List Price	Mult. Sym.	Ap'x. Shpg. Wgt.	Motor Type & Gear Style	Enclosure	Voltage	Notes <sup>(b)</sup>	Drawing Number
<b>Single Phase</b>												
1/15	23/28	60:1	45	<b>GC24307</b>	448	DS	11	2416C-KA	TEFC	110//115	19,20	1
	35/42	40:1	49	<b>GC24308</b>	448	DS	11	2416C-KA	TEFC	110//115	19,20	1
	68/82.5	20:1	32	<b>GC24309</b>	448	DS	11	2416C-KA	TEFC	110//115	19,20	1
	135/165	10:1	18	<b>GC24311</b>	448	DS	11	2416C-KA	TEFC	110//115	19,20	1
1/8	34/41	40:1	90	<b>GC25004</b>	529	DS	16	2520C-KA	TEFC	110//115	19,20	2
	46/55	30:1	78	<b>GC25006</b>	529	DS	16	2520C-KA	TEFC	110//115	19,20	2
	69/82	20:1	57	<b>GC25007</b>	529	DS	16	2520C-KA	TEFC	110//115	19,20	2
	130/160	10:1	33	<b>GC25008</b>	529	DS	16	2520C-KA	TEFC	110//115	19,20	2
	36/43	40:1	90	<b>GC25009</b>	529	DS	15	2520S-KA	TEFC	110//115	19,20	2
	48/57	30:1	78	<b>GC25011</b>	529	DS	15	2520S-KA	TEFC	110//115	19,20	2
	71/86	20:1	57	<b>GC25012</b>	529	DS	15	2520S-KA	TEFC	110//115	19,20	2
1/6	140/170	10:1	33	<b>GC25014</b>	529	DS	15	2520S-KA	TEFC	110//115	19,20	2
	33/41	40:1	130	<b>GC3320</b>	584	DS	15	2524C-K	TEFC	110//115	19,20	3
	67/82	20:1	75	<b>GC3321</b>	584	DS	15	2524C-K	TEFC	110//115	19,20	3
	135/165	10:1	43	<b>GC3322</b>	584	DS	15	2524C-K	TEFC	110//115	19,20	3
	265/320	5:1	23	<b>GC3324</b>	584	DS	15	2524C-K	TEFC	110//115	19,20	3
	35/42	40:1	130	<b>GC3326</b>	584	DS	21	2528L-K	TEFC	110//115	19,20	4
	71/85	20:1	75	<b>GC3327</b>	584	DS	21	2528L-K	TEFC	110//115	19,20	4
	135/165	10:1	43	<b>GC3328</b>	584	DS	21	2528L-K	TEFC	110//115	19,20	4
	280/335	5:1	23	<b>GC3329</b>	584	DS	21	2528L-K	TEFC	110//115	19,20	4
<b>Three Phase</b>												
1/4	35/42.8	40:1	170	<b>GM3340</b>	706	DS	24	2524M-K	TEFC	190/380//230/460	19,20	3
	70/85	20:1	112	<b>GM3345</b>	706	DS	24	2524M-K	TEFC	190/380//230/460	19,20	3
	140/170	10:1	72	<b>GM3347</b>	706	DS	24	2524M-K	TEFC	190/380//230/460	19,20	3
	279/340	5:1	36	<b>GM3349</b>	706	DS	24	2524M-K	TEFC	190/380//230/460	19,20	3

(a) Vertical motor below gearhead not recommended. Avoiding those positions where the high speed oil seal is immersed in oil, will provide greater security against high speed input seal wear.

(b) See notes on inside back flap and pages 5-6.





GC24322 Shown  
CB Style

**Applications:** General purpose fixed speed including conveyors, material handling equipment and packaging machinery.

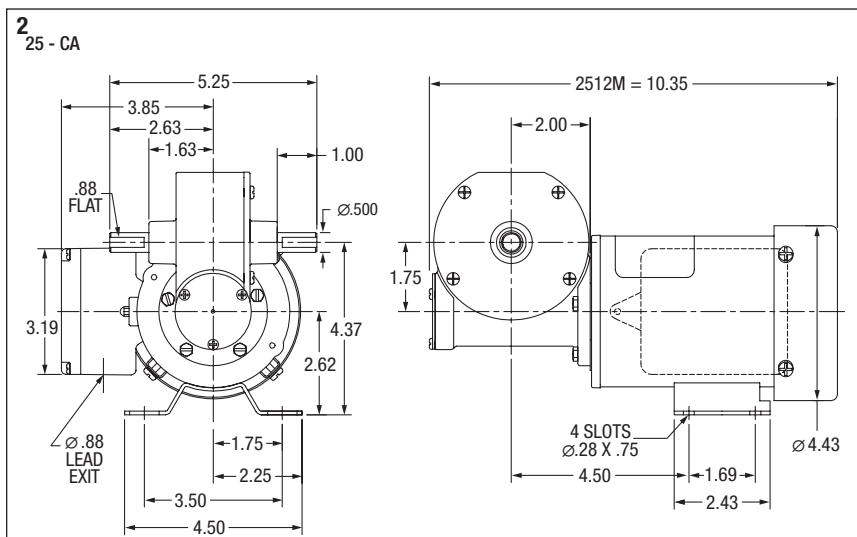
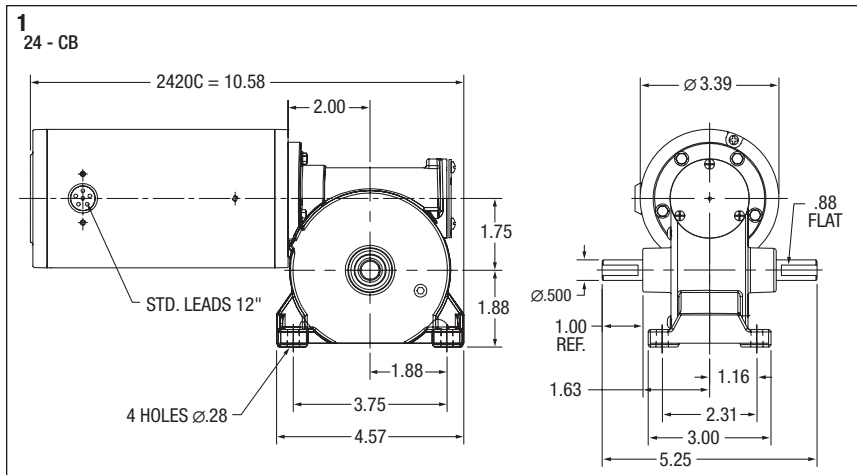
**Features:** Three and single-phase designs. High strength bronze gearing, hardened and ground worm for quiet operation. High performance low friction, bidirectional motor seals. Factory lubricated for life, no maintenance required. Internal oil expansion bladder allows for multiple mounting positions, without relocating a breather vent.

Input Motor Hp	Output RPM 50/60 Hz	Gear Ratio	Max. Safe Torque In. Lbs.	Catalog Number <sup>(a)</sup>	List Price	Mult. Sym.	Ap'x. Shpg. Wgt.	Motor Type & Gear Style	Enclosure	Voltage	Notes <sup>(b)</sup>	Drawing Number
<b>Single Phase</b>												
1/12	23/27.7	58:1	75	<b>GC24322</b>	449	DS	10	2420C-CB	TENV	110//115	19,20,78	1
	41/49.6	33:1	62	<b>GC24320</b>	449	DS	13	2420C-CB	TENV	110//115	19,20,78	1
	60/71	22.5	49	<b>GC24318</b>	449	DS	13	2420C-CB	TENV	110//115	19,20,78	1
	123/148	11:1	25	<b>GC24316</b>	449	DS	13	2420C-CB	TENV	110//115	19,20,78	1
<b>Three Phase</b>												
1/6	156	22.5:1	42	<b>GM3331</b>	615	DS	24	2512M-CA	TEFC	208-230/460	20,33	2

(a) Vertical motor below gearhead not recommended.

Avoiding those positions where the high speed oil seal is immersed in oil, will provide greater security against high speed input seal wear.

(b) See notes on inside back flap and pages 5-6.







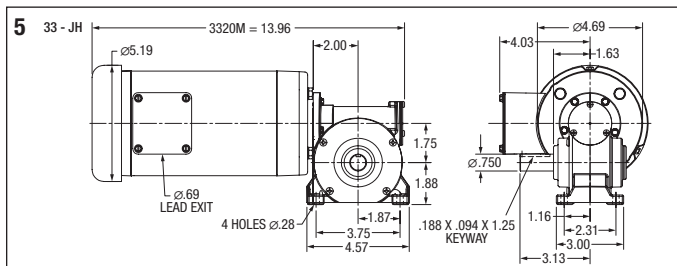
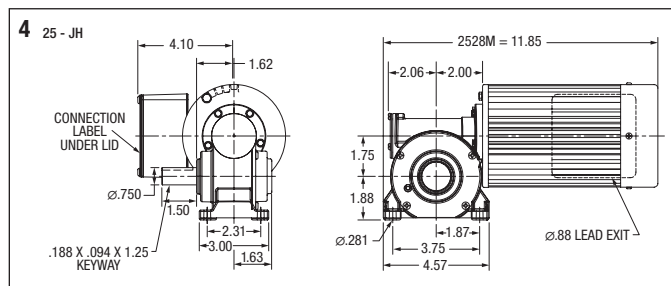
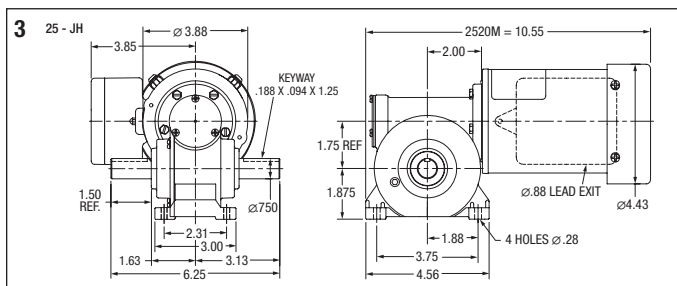
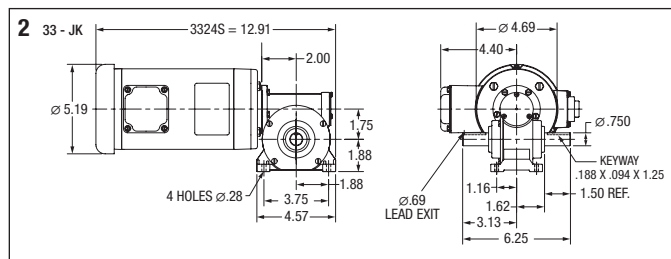
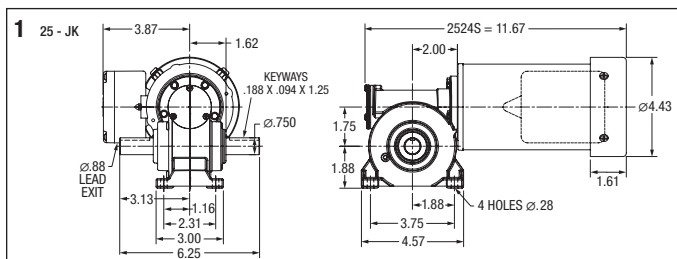
GM2503 Shown  
JH Style

**Applications:** General purpose fixed speed including conveyors, material handling equipment and packaging machinery.

**Features:** Three and single-phase motor designs. High strength bronze gearing, hardened and ground worm for quiet operation. High performance low friction, bidirectional motor seals. Factory lubricated for life, no maintenance required. Internal oil expansion bladder allows for multiple mounting positions, without relocating a breather vent.

Input Motor Hp	Output RPM 50/60 Hz	Gear Ratio	Max. Safe Torque In. Lbs.	Catalog (a) Number	List Price	Mult. Sym.	Ap'x. Shpg. Wgt.	Motor Type & Gear Style	Enclosure	Voltage	Notes (b)	Drawing Number
<b>Single Phase</b>												
1/8	30/37	45:1	125	<b>GC25020</b>	535	DS	16	2524S-JK	TEFC	115	19,20	1
	43/50	33:1	100	<b>GC25015</b>	535	DS	16	2524S-JK	TEFC	115	19,20	1
	62/74	22.5:1	79	<b>GC25010</b>	535	DS	16	2524S-JK	TEFC	115	19,20	1
1/4	126/152	11:1	41	<b>GC25005</b>	535	DS	16	2524S-JK	TEFC	115	19,20	1
	74	22.5:1	125	<b>GC3330</b>	584	DS	26	3324S-JK	TEFC	115	33	2
	151	11:1	70	<b>GC3325</b>	584	DS	26	3324S-JK	TEFC	115	33	2
<b>Three Phase</b>												
1/6	38	45:1	125	<b>GM3337</b>	710	DS	16	2520M-JK	TEFC	208-230/460	20,33	3
	75	22.5:1	85	<b>GM3334</b>	710	DS	24	2520M-JK	TEFC	208-230/460	20,33	3
1/4	104	33:1	75	<b>GM3338</b>	710	DS	24	2520M-JK	TEFC	208-230/460	20,33	3
1/3	34	50:1	256	<b>GM2507</b>	723	DS	28	2528M-JH	TEFC	208-230/460	20,33	4
	42	40:1	230	<b>GM2506</b>	723	DS	28	2528M-JH	TEFC	208-230/460	20,33	4
	84	20:1	155	<b>GM2503</b>	723	DS	28	2528M-JH	TEFC	208-230/460	20,33	4
	168	10:1	90	<b>GM2501</b>	723	DS	28	2528M-JH	TEFC	208-230/460	20,33	4
1/2	35	50:1	295	<b>GM3307</b>	727	DS	35	3320M-JH	TEFC	208-230/460	33	5
	44	40:1	280	<b>GM3306</b>	727	DS	35	3320M-JH	TEFC	208-230/460	33	5
	88	20:1	200	<b>GM3303</b>	727	DS	35	3320M-JH	TEFC	208-230/460	33	5
	175	10:1	135	<b>GM3301</b>	727	DS	35	3320M-JH	TEFC	208-230/460	33	5

(a) Vertical motor below gearhead not recommended. Avoiding those positions where the high speed oil seal is immersed in oil, will provide greater security against high speed input seal wear. (b) See notes on inside back flap and pages 5-6.



**Applications:** General purpose fixed speed including conveyors, material handling equipment and packaging machinery.

**Features:** Three and single-phase motor designs. High strength bronze gearing, hardened and ground worm for quiet operation. Permanently lubricated with synthetic Klubersynth UH1-6-460 oil, USDA food grade lubrication for H1 applications. Internal oil expansion bladder allows for multiple mounting positions, without relocating a breather vent. Double output hollow output bore is 1.00" with keyway for greater mounting flexibility. Supplied with torque arm and cover for exposed end of shaft.



GHL and GHM Shown  
H Style

Input Motor Hp	Output RPM 60 Hz	Gear Ratio	Max. Safe Torque In. Lbs.	Catalog (a) Number	List Price	Mult. Sym.	Ap'x. Shpg. Wgt.	Motor Type & Gear Style	Enclosure	Voltage	Notes (b)
<b>Single Phase</b>											
1/2	29	60:1	600	<b>GHL35060</b>	937	DS	45	3421L-H	TEFC	115/230	33
	58	30:1	350	<b>GHL35030</b>	937	DS	45	3421L-H	TEFC	115/230	33
	88	20:1	250	<b>GHL35020</b>	937	DS	45	3421L-H	TEFC	115/230	33
	175	10:1	150	<b>GHL35010</b>	937	DS	45	3421L-H	TEFC	115/230	33
3/4	58	30:1	550	<b>GHL37530</b>	1,007	DS	50	3428LC-H	TEFC	115/230	33
	88	20:1	420	<b>GHL37520</b>	1,007	DS	50	3428LC-H	TEFC	115/230	33
	175	10:1	230	<b>GHL37510</b>	1,007	DS	50	3428LC-H	TEFC	115/230	33
1	58	30:1	750	<b>GHL31030</b>	1,150	DS	55	3524L-H	TEFC	115/230	33
	88	20:1	550	<b>GHL31020</b>	1,150	DS	55	3524L-H	TEFC	115/230	33
	175	10:1	300	<b>GHL31010</b>	1,150	DS	55	3524L-H	TEFC	115/230	33
<b>Three Phase</b>											
1/2	29	60:1	600	<b>GHM35060</b>	903	DS	40	3416M-H	TEFC	230/460	30,33
	35	50:1	609	<b>GHM35050</b>	903	DS	40	3416M-H	TEFC	230/460	30,33
	44	40:1	528	<b>GHM35040</b>	903	DS	27	3416M-H	TEFC	230/460	30,33
	58	30:1	350	<b>GHM35030</b>	903	DS	40	3416M-H	TEFC	230/460	30,33
	87	20:1	200	<b>GHM35020</b>	903	DS	40	3416M-H	TEFC	230/460	30,33
	174	10:1	135	<b>GHM35010</b>	903	DS	40	3416M-H	TEFC	230/460	30,33
3/4	58	30:1	550	<b>GHM37530</b>	929	DS	42	3420M-H	TEFC	208-230/460	33
	88	20:1	420	<b>GHM37520</b>	929	DS	42	3420M-H	TEFC	208-230/460	33
	175	10:1	230	<b>GHM37510</b>	929	DS	42	3420M-H	TEFC	208-230/460	33
1	58	30:1	750	<b>GHM31030</b>	954	DS	45	3426M-H	TEFC	208-230/460	33
	88	20:1	550	<b>GHM31020</b>	954	DS	45	3426M-H	TEFC	208-230/460	33
	175	10:1	300	<b>GHM31010</b>	954	DS	45	3426M-H	TEFC	208-230/460	33

(a) Vertical motor below gearhead not recommended.

Avoiding those positions where the high speed oil seal is immersed in oil, will provide greater security against high speed input seal wear.

(b) See notes on inside back flap and pages 5-6.

### H Gearbox Accessories



Baldor offers optional base and shaft kits for H style gearmotors. Adding a base and shaft kit allows them to be used in applications requiring a right-angle shaft extension. The shaft can be used for either right or left hand output applications.

Catalog Number	Description	List Price	Mult. Sym.	Ap'x. Shpg. Wgt.
<b>B19H71</b>	Horiz Base Kit	67	A8	1
<b>SH10HS</b>	Output Shaft Kit	21	A8	2



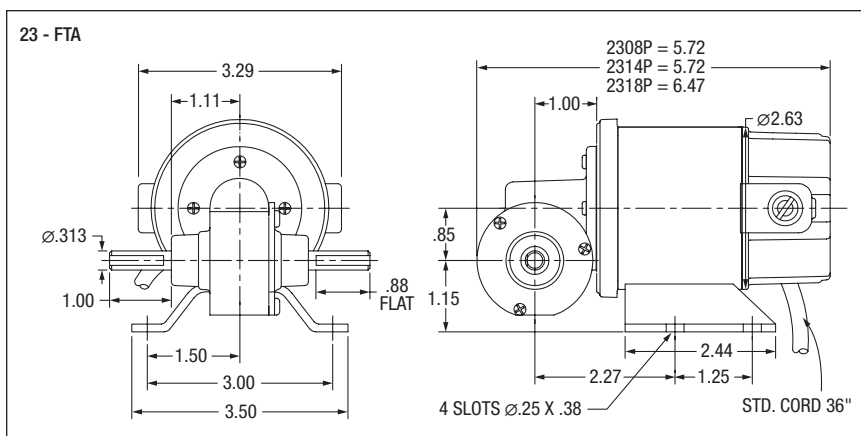
GP231003 Shown  
FTA Style

**Applications:** Conveyors, medical and laboratory equipment, printing presses, commercial ovens, machine tools and other applications requiring adjustable speed.

**Features:** DCPM motor provides exceptional starting torque, adjustable speed, and predictable performance over a wide range of operating conditions. Bronze sleeve bearing on output for smooth torque transmission. High strength bronze gearing and hardened and ground worm for quiet operation. Hardened and ground worm for quiet operation. Permanently lubricated with synthetic grease lubrication, can be mounted in all positions including vertical motor below gearhead.

Input Motor Hp	Output Base Speed	Gear Ratio	Max. Safe Torque In. Lbs.	Catalog Number	List Price	Mult. Sym.	Ap'x. Shpg. Wgt.	Motor Type & Gear Style	Voltage D.C. Armature	Full Load Amperage Armature	Notes <sup>(b)</sup>
<b>Foot Mount</b>											
1/50	87	20:1	7.3	<b>GP231003</b>	339	DS	5	2308P-FTA	90	0.34	20
1/25	140	12:1	11	<b>GP231002</b>	365	DS	5	2314P-FTA	90	0.54	20
1/17	312	8:1	6	<b>GP231001</b>	365	DS	5	2314P-FTA	90	0.62	20
1/25	344	5:1	5.1	<b>GP232001</b>	365	DS	5	2314P-FTA	90	0.49	20

<sup>(b)</sup> See notes on inside back flap and pages 5-6.





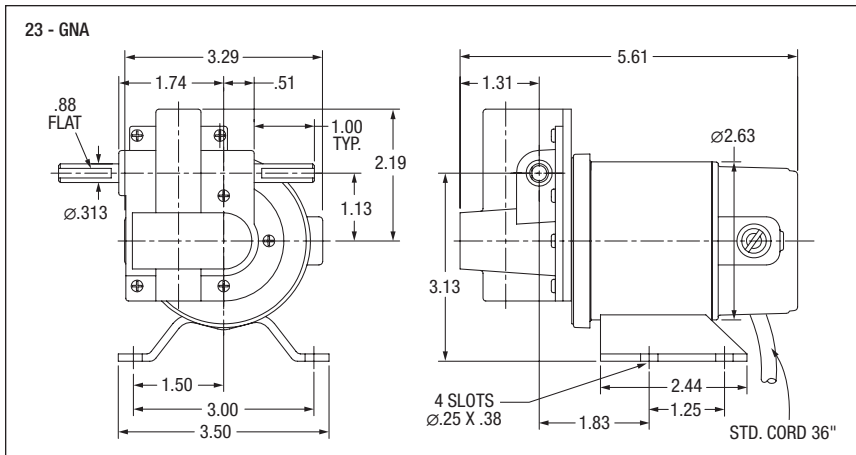
GP231005 Shown  
GNA Style

**Applications:** Conveyors, medical and laboratory equipment, printing presses, commercial ovens, machine tools and other applications requiring adjustable speed.

**Features:** DCPM motor provides exceptional starting torque, adjustable speed, and predictable operating conditions. High strength bronze gearing for increased torque capacity. High performance low friction, bidirectional motor seals. Permanently lubricated for life with synthetic grease lubrication, can be mounted in all positions including vertical motor below gearhead.

Input Motor Hp	Output Base Speed	Gear Ratio	Max. Safe Torque In. Lbs.	Catalog Number	List Price	Mult. Sym.	Ap'x. Shpg. Wgt.	Motor Type & Gear Style	Voltage D.C. Armature	Full Load Amperage Armature	Notes (b)
<b>Foot Mount</b>											
1/97	8.2	225:1	15	<b>GP231005</b>	356	DS	5	2308P-GNA	90	0.19	20

(b) See notes on inside back flap and pages 5-6.





GP232002 Shown  
BA Style

**Applications:** Conveyors, medical and laboratory equipment, printing presses, commercial ovens, machine tools and other applications requiring adjustable speed.

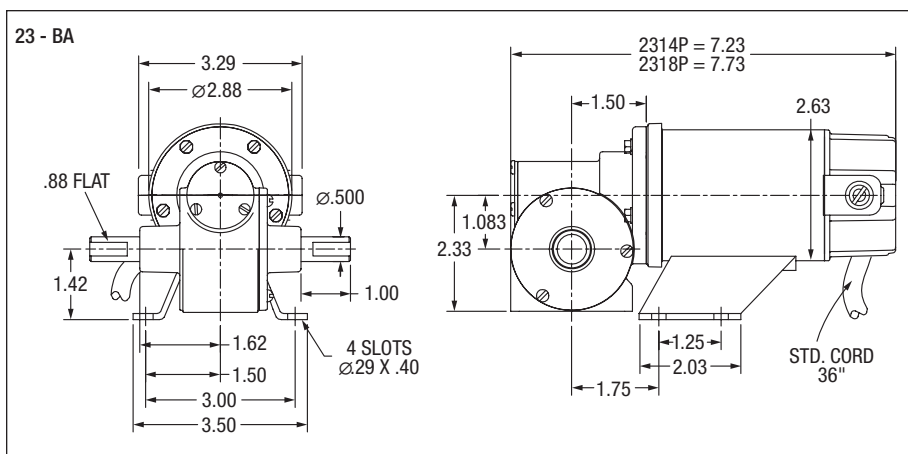
**Features:** DCPM motor provides exceptional starting torque, adjustable speed, and predictable performance over a wide range of operating conditions. Permaglidesleeve bearing on output for smooth torque transmission. High strength bronze gearing, hardened and ground worm for quiet operation. High performance low friction, bidirectional motor seals. Permanently lubricated with synthetic Mobil SHC634 oil. Internal oil expansion chamber allows for all position mounting without relocating a breather vent.

Input Motor Hp	Output Base Speed	Gear Ratio	Max. Safe Torque In. Lbs.	Catalog Number <sup>(a)</sup>	List Price	Mult. Sym.	Ap'x. Shpg. Wgt.	Motor Type & Gear Style	Voltage D.C. Armature	Full Load Amperage Armature	Notes <sup>(b)</sup>
<b>Foot Mount</b>											
1/22	40	40:1	30	GP232002	451	DS	7	2314P-BA	90	0.60	20
	60	30:1	33	GP233003	468	DS	8	2318P-BA	90	0.72	20
	90	20:1	27	GP233002	468	DS	7	2318P-BA	90	0.75	20
	120	15:1	22	GP233007	468	DS	7	2318P-BA	90	0.78	20
	173	10:1	17	GP233001	468	DS	7	2318P-BA	90	0.85	20
<b>Foot Mount</b>											
1/16	60	30:1	33	GP233023	468	DS	7	2318P-BA	180	0.42	20
1/14	86	20:1	28	GP233022	468	DS	7	2318P-BA	180	0.42	20
1/16	175	10:1	17	GP233021	468	DS	7	2318P-BA	180	0.42	20

<sup>(a)</sup> Vertical motor below gearhead not recommended.

Avoiding those positions where the high speed oil seal is immersed in oil, will provide greater security against high speed input seal wear.

<sup>(b)</sup> See notes on inside back flap and pages 5-6.





GP232004 Shown  
DA Style

**Applications:** Conveyors, medical and laboratory equipment, printing presses, commercial ovens, machine tools and other applications requiring adjustable speed.

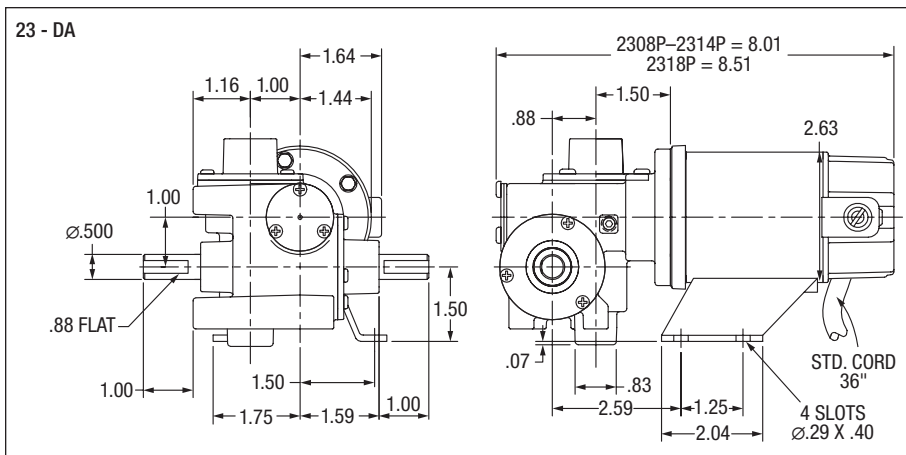
**Features:** DCPM motor provides exceptional starting torque, adjustable speed and predictable operating conditions. High strength bronze gearing for increased torque capacity. High performance low friction, bidirectional motor seals. Permanently lubricated with synthetic grease lubrication, can be mounted in all positions including vertical motor below gearhead.

Input Motor Hp	Output Base Speed	Gear Ratio	Max. Safe Torque In. Lbs.	Catalog Number <sup>(a)</sup>	List Price	Mult. Sym.	Ap'x. Shpg. Wgt.	Motor Type & Gear Style	Voltage D.C. Armature	Full Load Amperage Armature	Notes <sup>(b)</sup>
<b>Foot Mount</b>											
1/66	1.7	1100:1	75	GP232004	505	DS	7	2308P-DA	90	0.18	20
1/49	3.7	660:1	75	GP232005	505	DS	7	2308P-DA	90	0.34	20
1/27	8.7	310:1	66	GP232006	505	DS	7	2314P-DA	90	0.44	20
1/15	19.6	130:1	64	GP232007	527	DS	7	2314P-DA	90	0.68	20
<b>Foot Mount</b>											
1/83	1.9	1100:1	75	GP233020	527	DS	7	2314P-DA	180	0.11	20
1/31	4.1	660:1	75	GP233029	527	DS	7	2314P-DA	180	0.20	20
1/22	8.5	310:1	66	GP233028	527	DS	7	2314P-DA	180	0.26	20
1/20	19.7	130:1	64	GP233027	550	DS	7	2314P-DA	180	0.31	20

<sup>(a)</sup> Vertical motor below gearhead not recommended.

Avoiding those positions where the high speed oil seal is immersed in oil, will provide greater security against high speed input seal wear.

<sup>(b)</sup> See notes on inside back flap and pages 5-6.







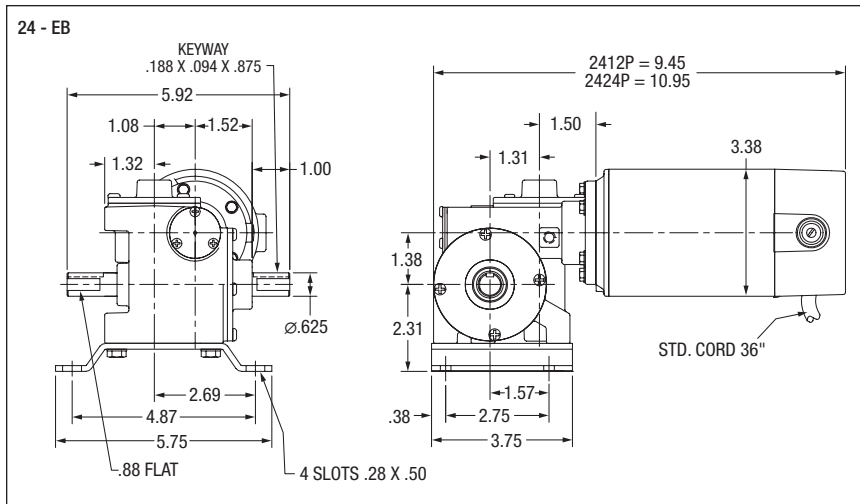
GP7409 Shown  
EB Style

**Applications:** Conveyors, medical and laboratory equipment, printing presses, commercial ovens, machine tools and other applications requiring adjustable speed.

**Features:** DCPM motor provides exceptional starting torque, adjustable speed, and predictable operating conditions. High strength bronze gearing for increased torque capacity. High performance low friction, bidirectional motor seals. Permanently lubricated with synthetic grease lubrication, can be mounted in all positions including vertical motor below gearhead.

Input Motor Hp	Output Base Speed	Gear Ratio	Max. Safe Torque In. Lbs.	Catalog Number	List Price	Mult. Sym.	Ap'x. Shpg. Wgt.	Motor Type & Gear Style	Voltage D.C. Armature	Full Load Amperage Armature	Notes <sup>(b)</sup>
<b>Foot Mount</b>											
1/8	6	600:1	150	<b>GP7304</b>	741	DS	13	2412P-EB	90	1.00	20
1/4	20	180:1	175	<b>GP7409</b>	706	DS	15	2424P-EB	90	2.00	20
<b>Foot Mount</b>											
1/4	20	180:1	175	<b>GP7429</b>	729	DS	15	2424P-EB	180	1.00	20

<sup>(b)</sup> See notes on inside back flap and pages 5-6.





GP24280 Shown  
G Style

**Applications:** Conveyors, medical and laboratory equipment, printing presses, commercial ovens, machine tools and other applications requiring adjustable speed.

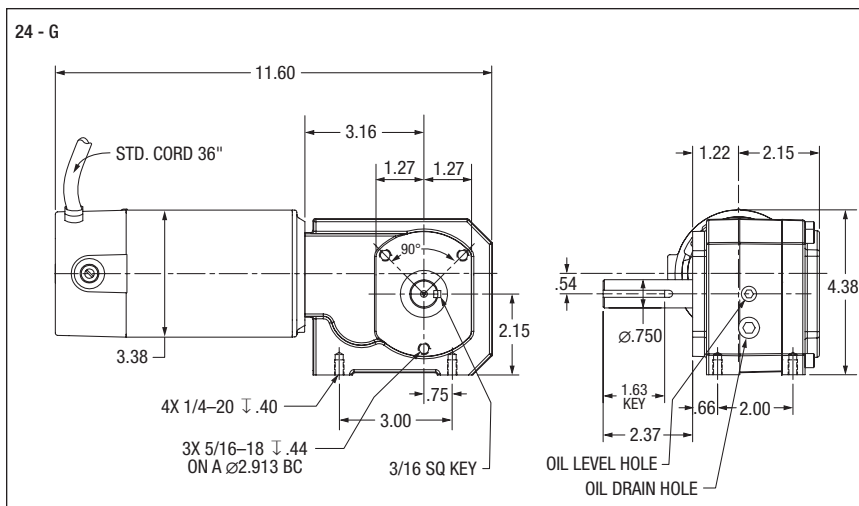
**Features:** Bronze and hardened steel worm gear first stage, hardened steel helical output stage for improved overall efficiency and dependable torque transmission. Completely sealed from the environment and pre-lubricated with synthetic oil, it can be put into immediate service and does not require periodic oil changes. G gear style can be face mounted on the output shaft side, or from the bottom of the gear housing.

Input Motor Hp	Output Base Speed	Gear Ratio	Max. Safe Torque In. Lbs.	Catalog (a) Number	List Price	Mult. Sym.	Ap'x. Shpg. Wgt.	Motor Type & Gear Style	Voltage D.C. Armature	Full Load Amperage Armature	Notes (b)
<b>Foot Mount</b>											
1/8	6.2	280:1	400	<b>GP24280</b>	805	DS	12	2424P-G	90	1.80	20
	9.1	190:1	385	<b>GP24190</b>	805	DS	12	2424P-G	90	1.80	20
	14	120:1	280	<b>GP24120</b>	805	DS	12	2424P-G	90	1.80	20
	29	60:1	163	<b>GP24060</b>	805	DS	12	2424P-G	90	1.80	20

(a) Vertical motor below gearhead not recommended.

Avoiding those positions where the high speed oil seal is immersed in oil, will provide greater security against high speed input seal wear.

(b) See notes on inside back flap and pages 5-6.





GP13530 Shown  
K Style

**Applications:** Conveyors, medical and laboratory equipment, printing presses, commercial ovens, machine tools and other applications requiring adjustable speed.

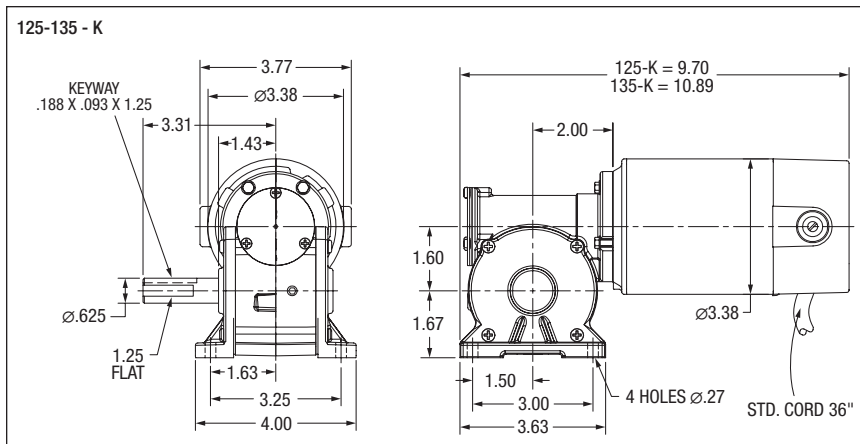
**Features:** DCPM motor provides exceptional starting torque, adjustable speed, and predictable operating conditions. Ball bearing on output for smooth torque transmission and increased radial load capacity. High strength bronze gearing, hardened and ground worm for quiet operation. High performance low friction, bi-directional motor seals. Permanently lubricated with synthetic Mobil SHC634 oil. Internal oil expansion chamber allows for all position mounting without relocating a breather vent.

Input Motor Hp	Output Base Speed	Gear Ratio	Max. Safe Torque In. Lbs.	Catalog (a) Number	List Price	Mult. Sym.	Ap'x. Shpg. Wgt.	Motor Type & Gear Style	Voltage D.C. Armature	Full Load Amperage Armature	Notes (b)
<b>Foot Mount</b>											
1/12	43	40:1	73	<b>GP12511</b>	575	DS	10	125-K	90	0.90	20
	86	20:1	39	<b>GP12512</b>	575	DS	10	125-K	90	0.90	20
	173	10:1	22	<b>GP12514</b>	575	DS	10	125-K	90	0.90	20
	346	5:1	10	<b>GP12516</b>	575	DS	10	125-K	90	0.90	20
1/6	43	40:1	135	<b>GP13530</b>	604	DS	10	135-K	90	1.73	20
	57	30:1	111	<b>GP13531</b>	604	DS	10	135-K	90	1.73	20
	88	20:1	88	<b>GP13532</b>	604	DS	10	135-K	90	1.73	20
	173	10:1	48	<b>GP13533</b>	604	DS	10	135-K	90	1.73	20
	346	5:1	24	<b>GP13536</b>	604	DS	10	135-K	90	1.73	20

(a) Vertical motor below gearhead not recommended.

Avoiding those positions where the high speed oil seal is immersed in oil, will provide greater security against high speed input seal wear.

(b) See notes on inside back flap and pages 5-6.





GP231004 Shown  
CB Style

**Applications:** Conveyors, medical and laboratory equipment, printing presses, commercial ovens, machine tools and other applications requiring adjustable speed.

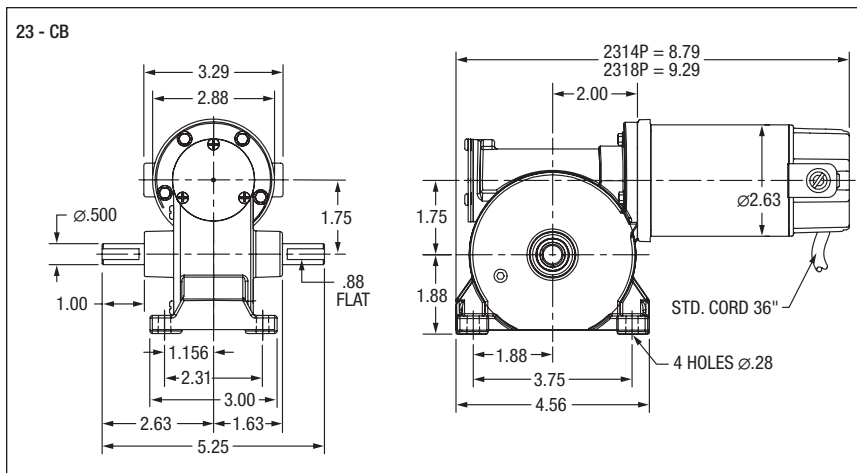
**Features:** DCPM motor provides exceptional starting torque, adjustable speed, and predictable performance over a wide range of operating conditions. Permaglide sleeve bearing on output for smooth torque transmission. High strength bronze gearing, hardened and ground worm for quiet operation. High performance low friction, bidirectional motor seals. Permanently lubricated with synthetic Mobil SHC634 oil. Internal oil expansion chamber allows for all position mounting without relocating a breather vent.

Input Motor Hp	Output Base Speed	Gear Ratio	Max. Safe Torque In. Lbs.	Catalog (a) Number	List Price	Mult. Sym.	Ap'x. Shpg. Wgt.	Motor Type & Gear Style	Voltage D.C. Armature	Full Load Amperage Armature	Notes (b)
<b>Foot Mount</b>											
1/25	22	72:1	45	<b>GP231004</b>	451	DS	8	2314P-CB	90	0.53	20
	30	58:1	38	<b>GP232003</b>	451	DS	8	2314P-CB	90	0.53	20
1/16	38	45:1	57	<b>GP233006</b>	468	DS	8	2318P-CB	90	0.80	20
	52	33:1	48	<b>GP233005</b>	468	DS	8	2318P-CB	90	0.75	20
	76	22.5:1	33	<b>GP233004</b>	468	DS	8	2318P-CB	90	0.85	20
<b>Foot Mount</b>											
1/16	41	45:1	57	<b>GP233026</b>	468	DS	8	2318P-CB	180	0.42	20
	53	33:1	48	<b>GP233025</b>	468	DS	8	2318P-CB	180	0.40	20
1/14	76	22.5:1	76	<b>GP233024</b>	468	DS	8	2318P-CB	180	0.42	20

(a) Vertical motor below gearhead not recommended.

Avoiding those positions where the high speed oil seal is immersed in oil, will provide greater security against high speed input seal wear.

(b) See notes on inside back flap and pages 5-6.





GP7404 Shown  
JK Style

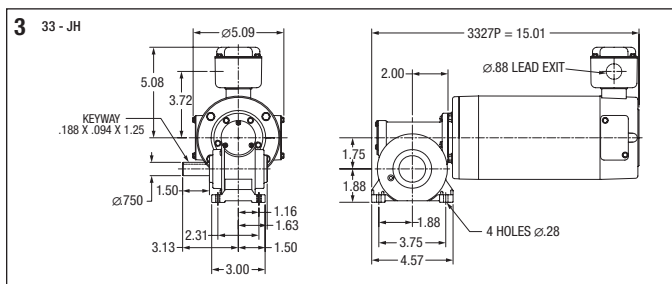
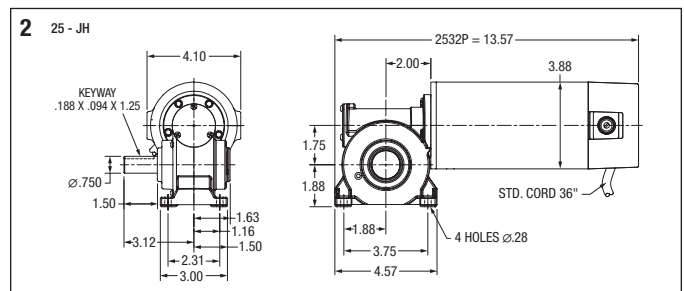
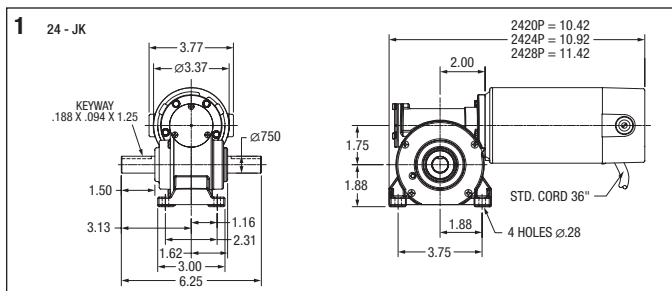
**Applications:** Conveyors, medical and laboratory equipment, printing presses, commercial ovens, machine tools and other applications requiring adjustable speed.

**Features:** DCPM motor provides exceptional starting torque, adjustable speed, and predictable operating conditions. Ball bearing on output for smooth torque transmission and increased radial load capacity High strength bronze gearing, hardened and ground worm for quiet operation. High performance low friction, bidirectional motor seals. Factory lubricated with synthetic oil. Internal oil expansion chamber allows for all position mounting without relocating a breather vent.

Input Motor Hp	Output Base Speed	Gear Ratio	Max. Safe Torque In. Lbs.	Catalog Number (a)	List Price	Mult. Sym.	Ap'x. Shpg. Wgt.	Motor Type & Gear Style	Voltage D.C. Armature	Full Load Amperage Armature	Notes (b)	Drawing Number
<b>Foot Mount</b>												
1/8	30	58:1	120	GP7404	641	DS	14	2424P-JK	90	1.30	20	1
	38	45:1	100	GP7403	641	DS	14	2424P-JK	90	1.30	20	1
	52	33:1	75	GP7402	641	DS	14	2424P-JK	90	1.30	20	1
	75	22.5:1	60	GP7401	641	DS	14	2424P-JK	90	1.30	20	1
1/5	173	11:1	32	GP7400	641	DS	14	2424P-JK	90	1.30	20	1
	50	45:1	120	GP7408	641	DS	14	2428P-JK	90	2.20	20	1
1/4	68	33:1	112	GP7405	641	DS	14	2428P-JK	90	2.40	20	1
	76	45:1	100	GP7407	641	DS	14	2428P-JK	90	2.60	20	1
	104	33:1	75	GP7406	641	DS	14	2428P-JK	90	2.60	20	1
	314	8:1	32	GP7413	641	DS	14	2428P-JK	90	2.60	20	1
<b>Foot Mount</b>												
1/8	30	58:1	120	GP7424	641	DS	14	2420P-JK	180	0.64	20	1
	38	45:1	100	GP7423	641	DS	14	2420P-JK	180	0.64	20	1
	52	33:1	75	GP7422	641	DS	14	2420P-JK	180	0.64	20	1
	78	22.5:1	60	GP7421	641	DS	14	2420P-JK	180	0.64	20	1
1/5	173	11:1	32	GP7420	641	DS	14	2420P-JK	180	0.65	20	1
	50	45:1	120	GP7428	641	DS	14	2428P-JK	180	1.10	20	1
1/4	68	45:1	135	GP7425	641	DS	14	2428P-JK	180	1.30	20	1
	76	45:1	100	GP7427	641	DS	14	2428P-JK	180	1.30	20	1
	104	33:1	75	GP7426	641	DS	14	2428P-JK	180	1.30	20	1
	314	11:1	32	GP7433	641	DS	14	2428P-JK	180	1.30	20	1
<b>Foot Mount</b>												
1/3	48	50:1	150	GP2507	787	DS	25	2532P-JH	90	3.36	20	2
	62	40:1	137	GP2506	787	DS	25	2532P-JH	90	3.36	20	2
	123	20:1	95	GP2503	787	DS	25	2532P-JH	90	3.36	20	2
	245	10:1	65	GP2501	787	DS	25	2532P-JH	90	3.36	20	2
1/2	50	50:1	234	GP3307	914	DS	35	3327P-JH	90	5.00	20	3
	63	40:1	215	GP3306	914	DS	35	3327P-JH	90	5.00	20	3
	125	20:1	145	GP3303	914	DS	35	3327P-JH	90	5.00	20	3
	250	10:1	100	GP3301	914	DS	35	3327P-JH	90	5.00	20	3

(a) Vertical motor below gearhead not recommended. Avoiding those positions where the high speed oil seal is immersed in oil, will provide greater security against high speed input seal wear.

(b) See notes on inside back flap and pages 5-6.





GPF13517 Shown  
JAF Style

**Applications:** Conveyors, medical and laboratory equipment, printing presses, commercial ovens, machine tools and other applications requiring adjustable speed.

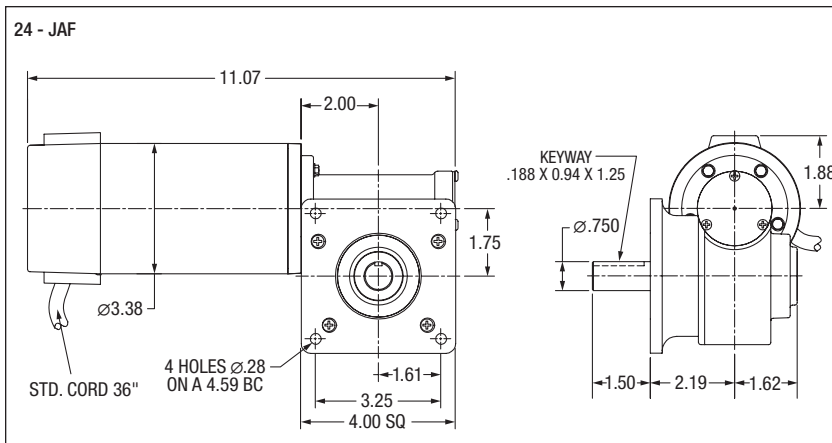
**Features:** DCPM motor provides exceptional starting torque, adjustable speed, and predictable operating conditions. Ball bearing on output for smooth torque transmission and increased radial load capacity. High strength bronze gearing, hardened and ground worm for quiet operation. High performance low friction, bi-directional motor seals. Factory lubricated with synthetic oil. Internal oil expansion chamber allows for all position mounting without relocating a breather vent.

Input Motor Hp	Output Base Speed	Gear Ratio	Max. Safe Torque In. Lbs.	Catalog (a) Number	List Price	Mult. Sym.	Ap'x. Shpg. Wgt.	Motor Type & Gear Style	Voltage D.C. Armature	Full Load Amperage Armature	Notes (b)
<b>Flange Mount</b>											
1/4	312	8:1	38.0	<b>GPF13514</b>	666	DS	15	2428P-JAF	90	2.5	20
	167	15:1	69.0	<b>GPF13515</b>	666	DS	15	2428P-JAF	90	2.5	20
	111	22.5:1	96.0	<b>GPF13516</b>	666	DS	15	2428P-JAF	90	2.6	20
	76	33:1	110.0	<b>GPF13517</b>	666	DS	15	2428P-JAF	90	2.2	20
<b>Flange Mount</b>											
1/5	167	15:1	55.0	<b>GPF13530</b>	666	DS	15	135-JAF	180	1.0	20
	76	33:1	88.0	<b>GPF13532</b>	666	DS	15	135-JAF	180	1.0	20

(a) Vertical motor below gearhead not recommended.

Avoiding those positions where the high speed oil seal is immersed in oil, will provide greater security against high speed input seal wear.

(b) See notes on inside back flap and pages 5-6.







GCP24114 Shown  
PSSH Style

**Applications:** Conveyors, packaging machines, machine tools and laboratory equipment requiring constant speed.

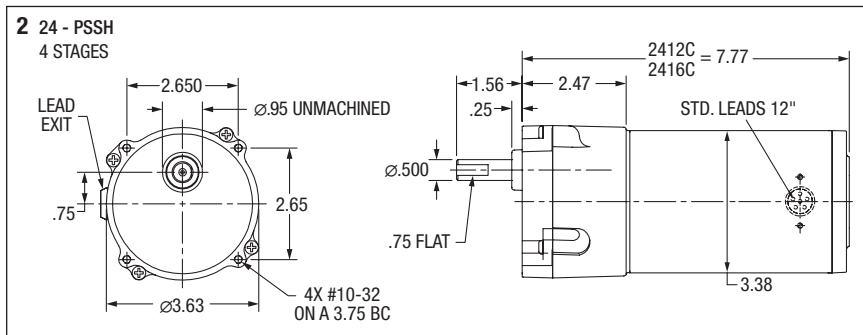
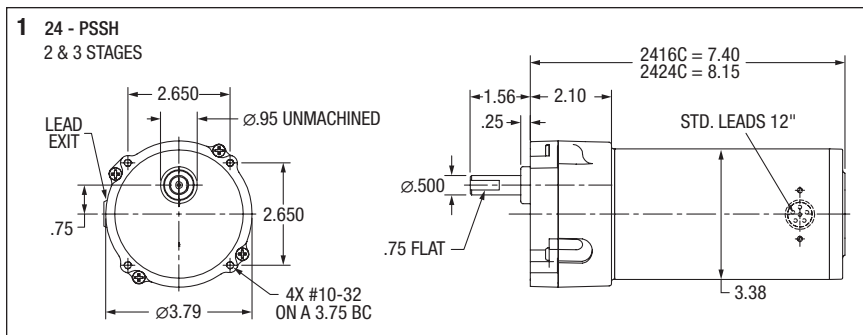
**Features:** Induction hardened helical and spur gears for extra strength. Ball and needle-bearing construction for improved torque capacity. Factory lubricated for life, no maintenance required. Industry standard dimensions. See optional mounting bracket on pages 355 and 391.

Input Motor Hp	Output RPM 50/60 Hz.	Gear Ratio	Stages	Max. Safe Torque In. Lbs.	Catalog (a) Number	List Price	Mult. Sym.	Ap'x. Shpg. Wgt.	Motor Type & Gear Style	Enclosure	Voltage	Notes (b)	Drawing Number
<b>Single Phase</b>													
1/40	7.6/9.4	180:1	4	120	<b>GCP24114</b>	464	DS	10	2412C-PSSH	TENV	115	19,20,78	2
1/25	15.3/18	90:1	4	120	<b>GCP24122</b>	468	DS	10	2416C-PSSH	TENV	115	19,20,78	2
	23/27.3	60:1	3	80.7	<b>GCP24124</b>	468	DS	10	2416C-PSSH	TENV	115	19,20,78	1
1/12	45/54.8	30:1	3	83.7	<b>GCP24134</b>	449	DS	10	2424C-PSSH	TENV	115	19,20,78	1
	68/82.5	20:1	2	55.8	<b>GCP24136</b>	449	DS	10	2424C-PSSH	TENV	115	19,20,78	1
	90/109	15:1	2	42.8	<b>GCP24138</b>	449	DS	10	2424C-PSSH	TENV	115	19,20,78	1
	136/163	10:1	2	28.5	<b>GCP24140</b>	449	DS	10	2424C-PSSH	TENV	115	19,20,78	1
	272/326	5:1	2	14.3	<b>GCP24142</b>	449	DS	10	2424C-PSSH	TENV	115	19,20,78	1

(a) Vertical motor below gearhead not recommended.

Avoiding those positions where the high speed oil seal is immersed in oil, will provide greater security against high speed input seal wear.

(b) See notes on inside back flap and pages 5-6.





GCP24232 Shown  
PSM Style

**Applications:** Conveyors, packaging machines, machine tools and laboratory equipment requiring constant speed.

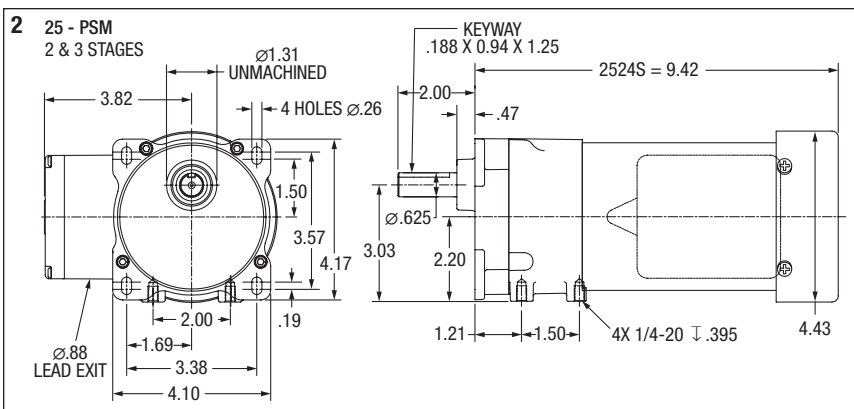
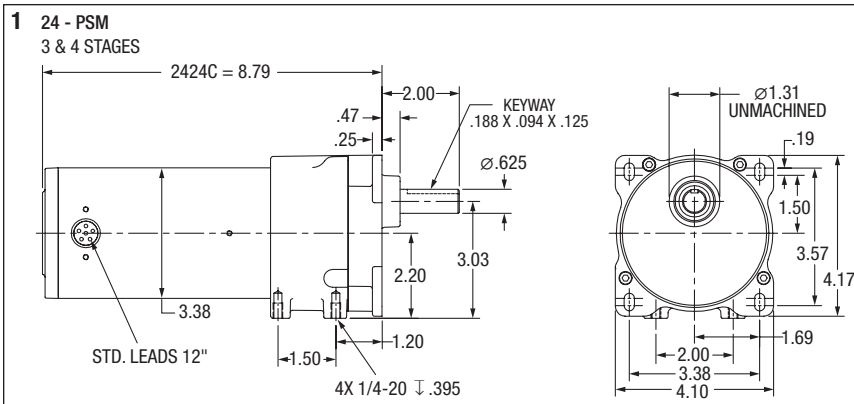
**Features:** Induction hardened helical and spur gears for extra strength. Ball and needle-bearing construction for improved torque capacity. Factory lubricated for life, no maintenance required. Industry standard dimensions. Optional bases for foot or 3-point face mounting, see below.

Input Motor Hp	Output RPM 50/60 Hz.	Gear Ratio	Stages	Max. Safe Torque In. Lbs.	Catalog (a) Number	List Price	Mult. Sym.	Ap'x. Shpg. Wgt.	Motor Type & Gear Style	Enclosure	Voltage	Notes (b)	Drawing Number
<b>Single Phase</b>													
1/15	15/18	90:1	4	237	<b>GCP24232</b>	539	DS	14	2424C-PSM	TENV	115	19,20,78	1
1/12	23/27	60:1	3	167	<b>GCP24234</b>	510	DS	14	2424C-PSM	TENV	115	19,20,78	1
1/9	43/36	40:1	3	149	<b>GCP25052</b>	514	DS	14	2524S-PSM	TEFC	115	19,20	2
	47/57	30:1	3	112	<b>GCP25054</b>	514	DS	14	2524S-PSM	TEFC	115	19,20	2
	84/70	20:1	3	74	<b>GCP25056</b>	489	DS	14	2524S-PSM	TEFC	115	19,20	2
	92/111	15:1	2	57	<b>GCP25058</b>	489	DS	14	2524S-PSM	TEFC	115	19,20	2
	138/166	10:1	2	38	<b>GCP25060</b>	489	DS	14	2524S-PSM	TEFC	115	19,20	2
	275/330	5:1	2	19	<b>GCP25062</b>	489	DS	14	2524S-PSM	TEFC	115	19,20	2

(a) Vertical motor below gearhead not recommended.

Avoiding those positions where the high speed oil seal is immersed in oil, will provide greater security against high speed input seal wear.

(b) See notes on inside back flap and pages 5-6.



### PSM Mounting Adapters



**B92** is formed steel mounting base that bolts to machined surface on bottom of PSM gear box casting. Provides secure foot mounting of gearmotor and drop-in interchangeability with other major manufacturers.

**B93** is a three point face mounting adapter. Provides interchangeability with other manufacturers.

Catalog Number	Description	List Price	Mult. Sym.	Ap'x. Shpg. Wgt.
<b>B92</b>	Foot Mount	40	A8	1
<b>B93</b>	3 Point Face Mount	51	A8	1



PSL Style

**Applications:** Conveyors, packaging machines, machine tools and laboratory equipment requiring constant speed.

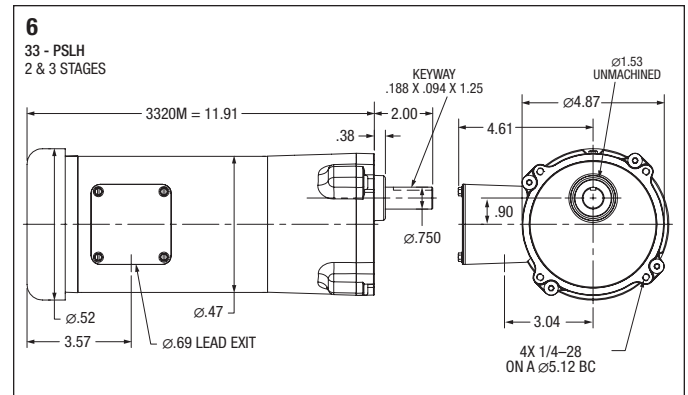
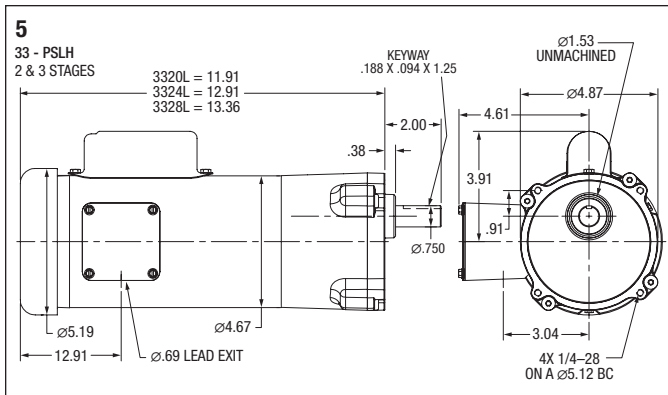
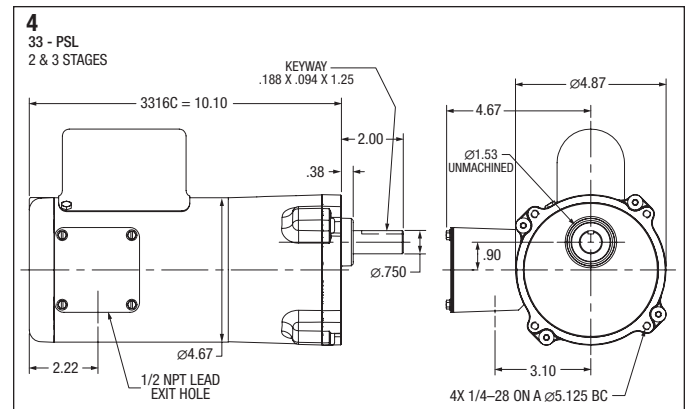
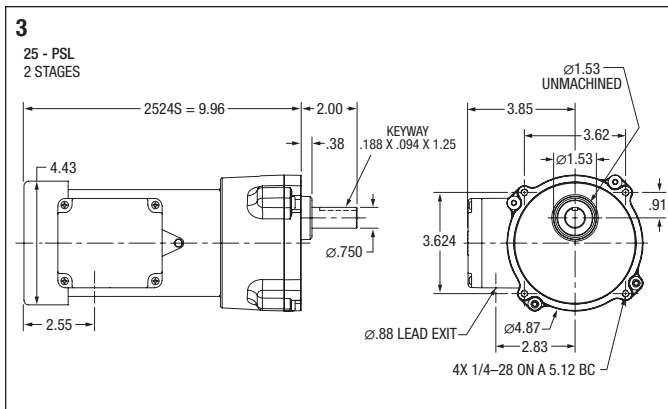
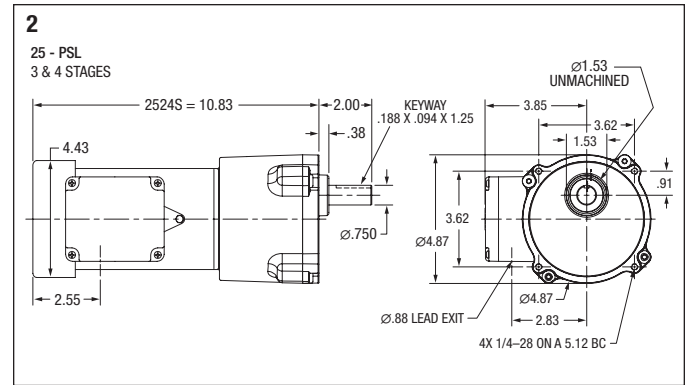
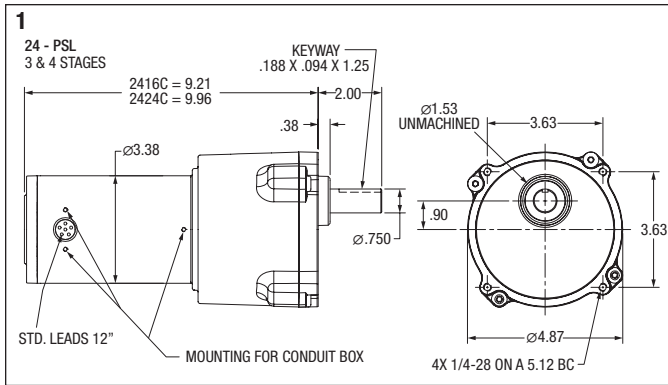
**Features:** Three and single-phase. Induction hardened helical gears for added strength. Ball and needle-bearing construction for improved torque capacity. Factory lubricated for life, no maintenance required. Industry standard dimensions. An optional bolt-on base is available for foot mounting on pages 355 and 391.

Input Motor Hp	Output RPM 50/60 Hz.	Gear Ratio	Stages	Max. Safe Torque In. Lbs.	Catalog (a) Number	List Price	Mult. Sym.	Ap'x. Shpg. Wgt.	Motor Type & Gear Style	Enclosure	Voltage	Notes (b)	Drawing Number
<b>Single Phase</b>													
1/25	4.5/5.5	300:1	4	325	<b>GCP24002</b>	692	DS	15	2416C-PSL	TENV	110//115	19,20,78	1
	7.6/9.1	180:1	4	235	<b>GCP24004</b>	692	DS	15	2416C-PSL	TENV	110//115	19,20,78	1
1/12	11/13.7	120:1	4	330	<b>GCP24020</b>	747	DS	15	2424C-PSL	TENV	110//115	19,20,78	1
	15/18.2	90:1	4	250	<b>GCP24022</b>	669	DS	15	2424C-PSL	TENV	110//115	19,20,78	1
1/8	23/28	60:1	3	270	<b>GCP25002</b>	726	DS	18	2524S-PSL	TEFC	110//115	19,20	2
	45/55	30:1	3	135	<b>GCP25004</b>	726	DS	18	2524S-PSL	TEFC	110//115	19,20	2
	71/85	20:1	2	92	<b>GCP25006</b>	700	DS	18	2524S-PSL	TEFC	110//115	19,20	3
	141/170	10:1	2	46	<b>GCP25008</b>	700	DS	18	2524S-PSL	TEFC	110//115	19,20	3
	283/340	5:1	2	23	<b>GCP25010</b>	700	DS	18	2524S-PSL	TEFC	110//115	19,20	3
1/6	58	30:1	3	164	<b>GCP3305</b>	734	DS	24	3316C-PSL	TENV	115	33	4
	86	20:1	2	112	<b>GCP3310</b>	707	DS	24	3316C-PSL	TENV	115	33	4
	173	10:1	2	56	<b>GCP3315</b>	707	DS	24	3316C-PSL	TENV	115	33	4
<b>Capacitor Start - Single Phase</b>													
1/4	29	60:1	3	483	<b>GLP3310</b>	793	DS	25	3320L-PSLH	TEFC	115/208-230	33	5
1/3	35	50:1	3	438	<b>GLP3328</b>	825	DS	25	3324L-PSLH	TEFC	115/208-230	20,33	5
	57.5	30:1	3	320	<b>GLP3330</b>	825	DS	25	3324L-PSLH	TEFC	115/208-230	20,33	5
	86.3	20:1	2	218	<b>GLP3332</b>	776	DS	25	3324L-PSLH	TEFC	115/208-230	20,33	5
	172.5	10:1	2	109	<b>GLP3336</b>	776	DS	25	3324L-PSLH	TEFC	115/208-230	20,33	5
	345	5:1	2	55	<b>GLP3338</b>	776	DS	25	3324L-PSLH	TEFC	115/208-230	20,33	5
1/2	58	30:1	3	484	<b>GLP3342</b>	871	DS	25	3328L-PSLH	TEFC	115/208-230	20,33	5
	88	20:1	2	326	<b>GLP3344</b>	821	DS	25	3328L-PSLH	TEFC	115/208-230	20,33	5
	117	15:1	2	245	<b>GLP3346</b>	821	DS	25	3328L-PSLH	TEFC	115/208-230	20,33	5
	175	10:1	2	164	<b>GLP3348</b>	821	DS	25	3328L-PSLH	TEFC	115/208-230	20,33	5
<b>Three Phase</b>													
1/3	57	30:1	3	320	<b>GMP3330</b>	817	DS	27	3320M-PSLH	TEFC	208-230/460	33	6
	86	20:1	2	218	<b>GMP3332</b>	768	DS	27	3320M-PSLH	TEFC	208-230/460	33	6
	173	10:1	2	109	<b>GMP3336</b>	768	DS	27	3320M-PSLH	TEFC	208-230/460	33	6
	345	5:1	2	55	<b>GMP3338</b>	768	DS	27	3320M-PSLH	TEFC	208-230/460	33	6
1/2	43	40:1	3	627	<b>GMP3340</b>	863	DS	27	3320M-PSLH	TEFC	208-230/460	33	6
	58	30:1	3	484	<b>GMP3342</b>	863	DS	27	3320M-PSLH	TEFC	208-230/460	33	6
	86	20:1	2	326	<b>GMP3344</b>	814	DS	27	3320M-PSLH	TEFC	208-230/460	33	6
	173	10:1	2	164	<b>GMP3348</b>	814	DS	27	3320M-PSLH	TEFC	208-230/460	33	6

(a) Vertical motor below gearhead not recommended.

Avoiding those positions where the high speed oil seal is immersed in oil, will provide greater security against high speed input seal wear.

(b) See notes on inside back flap and pages 5-6.



### "L" Type Mounting Brackets



**Applications:** Mounting bracket for PSSH and PSL gear motors. Securely mounts to gear face in 90 degree locations for floor, wall or ceiling mount. Catalog LB74 is not recommended for PSL/PSLH units weighing over 20 lbs. For units weighing more than 20 lbs. use LB75.

Catalog Number	List Price	Mult. Sym.	Ap'x. Shpg. Wgt
LB73	40	A8	2
LB73GR	40	A8	2
LB74	57	A8	2
LB75	79	A8	7

**NOTE:** Painted Baldor gray. LB73 & LB73GR for PSSH style gearmotors, LB74 & LB75 for PSL/PSLH style gearmotors.



GP12505 Shown PSSH Style

**Applications:** Conveyors, medical and laboratory equipment, printing presses, commercial ovens, machine tools and many other applications requiring adjustable speed.

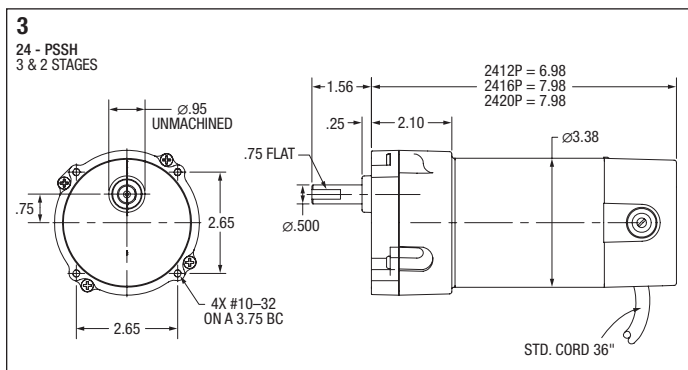
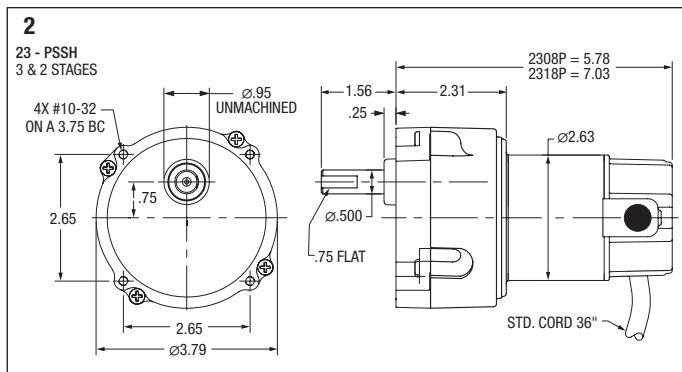
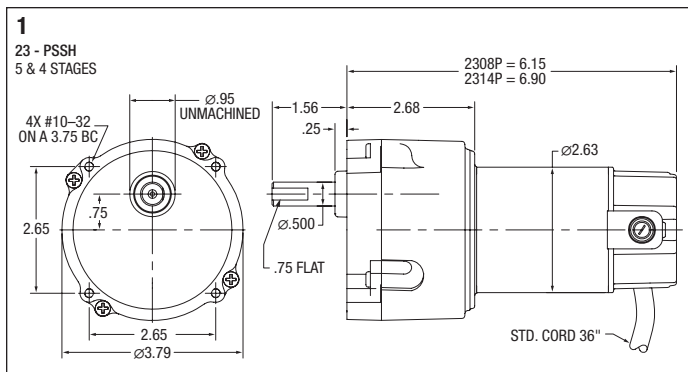
**Features:** Induction hardened helical and spur gears for extra strength. Ball and needle-bearing construction for improved torque capacity. Factory lubricated for life, no maintenance required. PSSH is face mounted with industry standard dimensions. An optional bolt on base is available for foot mounting, see pages 355 and 391.

Input Motor Hp	Output Base Speed	Gear Ratio	Stages	Max. Safe Torque In. Lbs.	Catalog Number <sup>(a)</sup>	List Price	Mult. Sym.	Ap'x. Shpg. Wgt.	Motor Type & Gear Style	Voltage D.C. Armature	Full Load Amperage Armature	Notes <sup>(b)</sup>	Drawing Number
1/45	9	180:1	4	100	GPP231108	451	DS	8	2308P-PSSH	90	0.29	20	1
1/21	19	90:1	4	118	GPP232110	451	DS	7	2314P-PSSH	90	0.57	20	1
1/50	29	60:1	3	40	GPP231109	428	DS	8	2308P-PSSH	90	0.35	20	2
1/20	30	60:1	3	100	GPP233112	468	DS	8	2318P-PSSH	90	0.70	20	2
1/17	60	30:1	3	50	GPP233111	468	DS	8	2318P-PSSH	90	0.65	20	2
1/35	120	20:1	2	9.5	GPP231110	428	DS	8	2308P-PSSH	90	0.36	20	2
1/12	43	60:1	3	112	GPP12505	519	DS	11	2412P-PSSH	90	1.00	20	3
	58	44:1	3	83	GPP12504	519	DS	11	2412P-PSSH	90	1.00	20	3
	125	20:1	2	38.5	GPP12502	494	DS	11	2412P-PSSH	90	1.00	20	3
	115	22:1	2	43	GPP12503	494	DS	11	2412P-PSSH	90	1.00	20	3
	250	10:1	2	19.7	GPP12501	494	DS	11	2412P-PSSH	90	1.00	20	3
1/22	19	90:1	4	118	GPP233120	468	DS	8	2314P-PSSH	180	0.30	20	1
1/12	43	40:1	3	112	GPP12525	500	DS	11	2420P-PSSH	180	0.45	20	3
1/20	60	30:1	3	50	GPP233121	468	DS	8	2318P-PSSH	180	0.35	20	2
1/12	250	10:1	2	19.7	GPP12521	500	DS	11	2416P-PSSH	180	0.49	20	3

(a) Vertical motor below gearhead not recommended.

Avoiding those positions where the high speed oil seal is immersed in oil, will provide greater security against high speed input seal wear.

(b) See notes on inside back flap and pages 5-6.





GPP233141 Shown  
PSM Style

**Applications:** Conveyors, medical and laboratory equipment, printing presses, commercial ovens, machine tools and many other applications requiring adjustable speed.

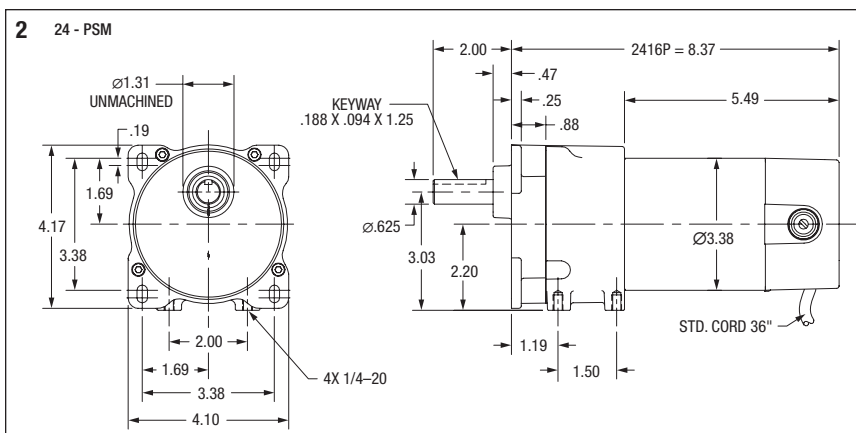
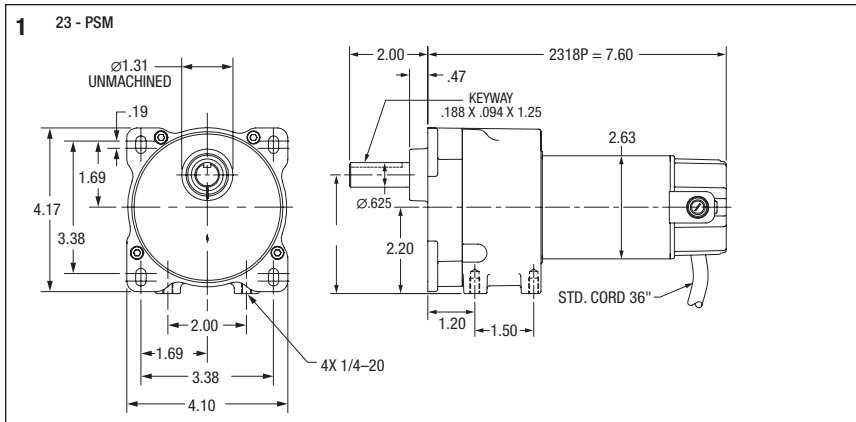
**Features:** Induction hardened helical and spur gears for extra strength. Ball and needle-bearing construction for improved torque capacity. Factory lubricated for life, no maintenance required. PSM is face or foot mounted with industry standard dimensions. Optional bases are available for foot or 3-point face mounting, see pages 353 and 391.

Input Motor Hp	Output Base Speed	Gear Ratio	Stages	Max. Safe Torque In. Lbs.	Catalog (a) Number	List Price	Mult. Sym.	Ap'x. Shpg. Wgt.	Motor Type & Gear Style	Voltage D.C. Armature	Full Load Amperage Armature	Notes (b)	Drawing Number
1/16	15.4	120:1	4	197	<b>GPP233141</b>	577	DS	10	2318P-PSM	90	0.66	20	1
1/15	18.6	90:1	4	180	<b>GPP233140</b>	577	DS	10	2318P-PSM	90	0.77	20	1
1/8	42	60:1		165	<b>GPP12547</b>	578	DS	12	2416P-PSM	90	1.35	20	2
	63	40:1		116	<b>GPP12545</b>	578	DS	12	2416P-PSM	90	1.35	20	2
	83	30:1		90	<b>GPP12544</b>	578	DS	12	2416P-PSM	90	1.35	20	2
	125	20:1		58	<b>GPP12543</b>	553	DS	12	2416P-PSM	90	1.35	20	2
	167	15:1		45	<b>GPP12542</b>	553	DS	12	2416P-PSM	90	1.35	20	2
	250	10:1		30	<b>GPP12541</b>	553	DS	12	2416P-PSM	90	1.35	20	2
1/8	500	5:1		15	<b>GPP12540</b>	553	DS	12	2416P-PSM	90	1.35	20	2
	42	60:1		174	<b>GPP12567</b>	558	DS	11	2416P-PSM	180	0.65	20	2
	83	30:1		87	<b>GPP12564</b>	558	DS	11	2416P-PSM	180	0.65	20	2
	250	10:1		30	<b>GPP12561</b>	553	DS	11	2416P-PSM	180	0.65	20	2
	500	5:1		14.8	<b>GPP12560</b>	553	DS	11	2416P-PSM	180	0.65	20	2

(a) Vertical motor below gearhead not recommended.

Avoiding those positions where the high speed oil seal is immersed in oil, will provide greater security against high speed input seal wear.

(b) See notes on inside back flap and pages 5-6.







GPP7459 Shown  
PSL Style

**Applications:** Conveyors, medical and laboratory equipment, printing presses, commercial ovens, machine tools and many other applications requiring adjustable speed.

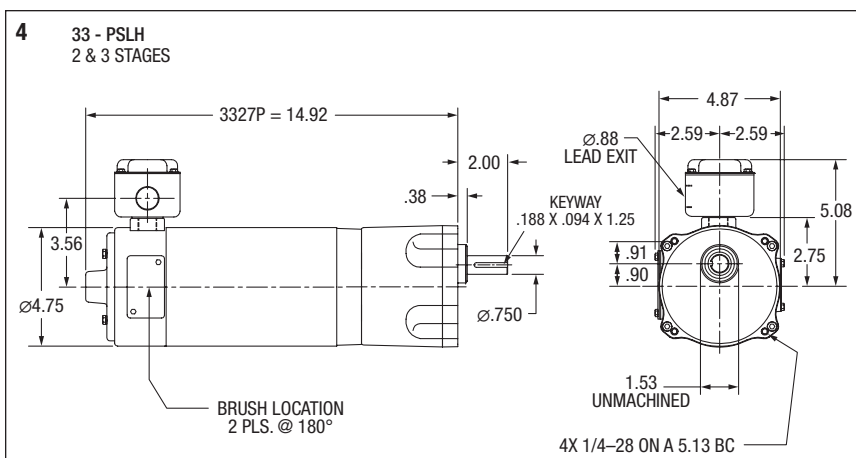
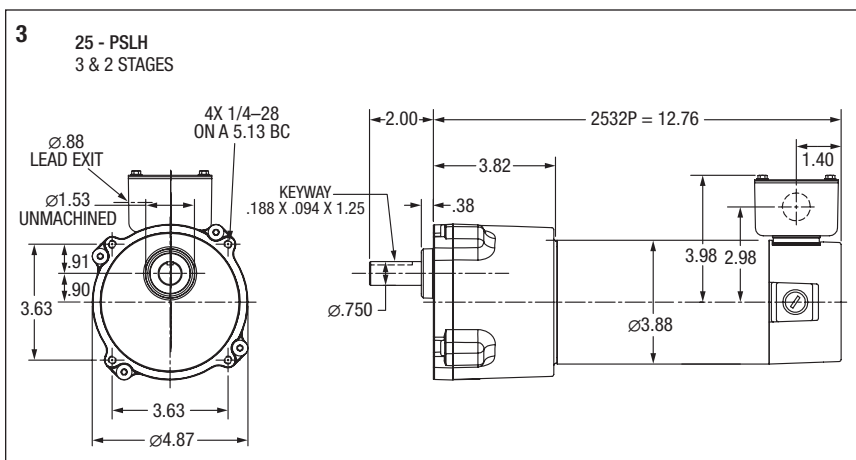
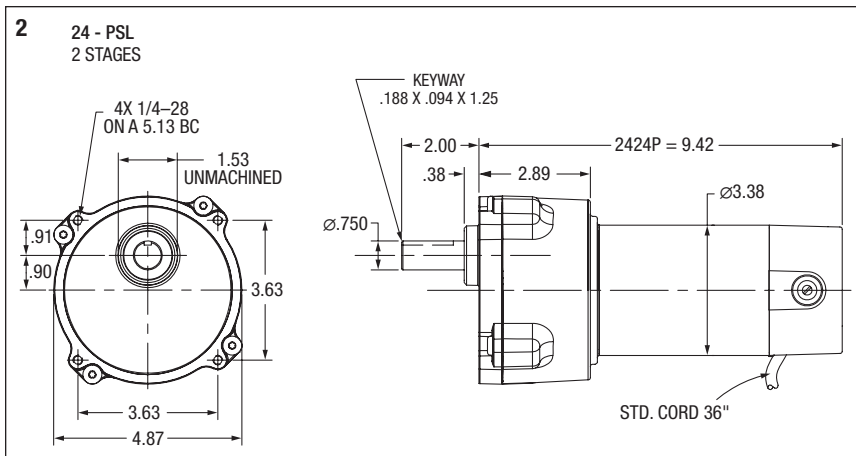
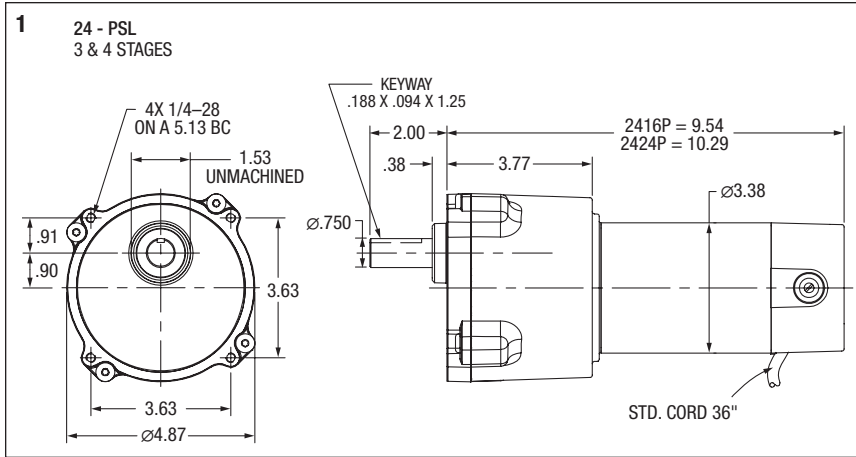
**Features:** Induction hardened helical gears for added strength. Ball and needle-bearing construction for improved torque capacity. Factory lubricated for life, no maintenance required. PSL is face mounted with industry standard dimensions. An optional bolt on base is available for foot mounting. See pages 355 and 391.

Input Motor Hp	Output Base Speed	Gear Ratio	Stages	Max. Safe Torque In. Lbs.	Catalog Number <sup>(a)</sup>	List Price	Mult. Sym.	Ap'x. Shpg. Wgt.	Motor Type & Gear Style	Voltage D.C. Armature	Full Load Amperage Armature	Notes <sup>(b)</sup>	Drawing Number
1/8	8.3	300:1	4	330	GPP7459	729	DS	17	2416P-PSL	90	0.76	20	1
1/8	10.4	240:1	4	330	GPP7462	729	DS	17	2416P-PSL	90	0.71	20	1
1/4	14	180:1	4	365	GPP7458	729	DS	17	2424P-PSL	90	1.20	20	1
1/4	21	120:1	4	365	GPP7457	729	DS	17	2424P-PSL	90	1.70	20	1
1/4	28	90:1	4	390	GPP7461	729	DS	17	2424P-PSL	90	2.25	20	1
1/4	42	60:1	3	280	GPP7456	700	DS	17	2424P-PSL	90	2.50	20	1
1/4	50	50:1	3	250	GPP7460	700	DS	17	2424P-PSL	90	2.50	20	1
1/4	62	40:1	3	200	GPP7455	700	DS	17	2424P-PSL	90	2.50	20	1
1/4	83	30:1	3	150	GPP7454	700	DS	17	2424P-PSL	90	2.50	20	1
1/4	125	20:1	2	100	GPP7453	700	DS	17	2424P-PSL	90	2.50	20	2
1/4	165	15:1	2	75	GPP7452	643	DS	15	2424P-PSL	90	2.50	20	2
1/4	250	10:1	2	50	GPP7451	643	DS	17	2424P-PSL	90	2.50	20	2
1/4	500	5:1	2	25	GPP7450	643	DS	17	2424P-PSL	90	2.50	20	2
1/3	58	30:1	3	320	GPP2530	956	DS	24	2532P-PSLH	90	3.20	20	3
1/3	113	15:1	2	164	GPP2534	910	DS	24	2532P-PSLH	90	3.20	20	3
1/3	345	5:1	2	55	GPP2538	910	DS	24	2532P-PSLH	90	3.20	20	3
1/2	83	30:1	3	337	GPP3340	1,074	DS	35	3327P-PSLH	90	5.00	20	4
1/2	167	15:1	2	171	GPP3344	1,074	DS	31	3327P-PSLH	90	5.00	20	4
1/2	500	5:1	2	57	GPP3348	1,027	DS	35	3327P-PSLH	90	5.00	20	4
1/8	8.3	300:1	4	330	GPP7479	729	DS	17	2424P-PSL	180	0.38	20	1
1/4	14	180:1	4	365	GPP7478	729	DS	17	2424P-PSL	180	0.60	20	1
1/4	21	120:1	4	365	GPP7477	729	DS	17	2424P-PSL	180	0.85	20	1
1/4	42	60:1	3	280	GPP7476	700	DS	17	2424P-PSL	180	1.25	20	1
1/4	62	40:1	3	200	GPP7475	700	DS	17	2424P-PSL	180	1.25	20	1
1/4	83	30:1	3	155	GPP7474	700	DS	17	2424P-PSL	180	1.25	20	1
1/4	125	20:1	2	100	GPP7473	700	DS	17	2424P-PSL	180	1.25	20	2
1/4	165	15:1	2	75	GPP7472	643	DS	17	2424P-PSL	180	1.25	20	2
1/4	250	10:1	2	50	GPP7471	643	DS	17	2424P-PSL	180	1.25	20	2
1/4	500	5:1	2	25	GPP7470	643	DS	17	2424P-PSL	180	1.25	20	2
1/3	58	30:1	3	320	GPP3370	1,074	DS	35	3327P-PSLH	180	1.50	20	4
1/3	115	15:1	2	164	GPP3374	1,027	DS	35	3327P-PSLH	180	1.50	20	4
1/3	345	5:1	2	55	GPP3378	1,027	DS	35	3327P-PSLH	180	1.60	20	4
1/2	83	30:1	3	337	GPP3380	1,074	DS	35	3327P-PSLH	180	2.50	20	4
1/2	167	15:1	2	171	GPP3384	1,027	DS	35	3327P-PSLH	180	2.50	20	4
1/2	500	5:1	2	57	GPP3388	1,027	DS	35	3327P-PSLH	180	2.50	20	4

(a) Vertical motor below gearhead not recommended.

Avoiding those positions where the high speed oil seal is immersed in oil, will provide greater security against high speed input seal wear.

(b) See notes on inside back flap and pages 5-6.



4X 1/4-28 ON A 5.13 BC

BRUSH LOCATION  
2 PLS. @ 180°

### 900 Series - Right Angle - Quill Type Solid Shaft

1.33 thru 3.75 CD

NEMA 56C thru 210TC

**Applications:** Ideal for conveyors, material handling, textile machines, packaging machinery. etc. (slow speed and high torque).

**Features:** Heavy duty cast iron housing, chill cast bronze gearing, precision ground hardened worm, ball bearing on input shaft, tapered roller bearings on output shaft. Industry-standard mounting dimensions. Pre-filled with food grade (H1) Klubersynth UH1-6-460 synthetic oil, sealed housing provides maintenance-free lubed for life operation.

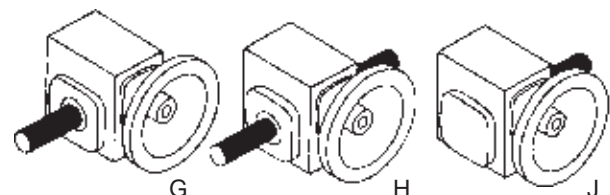


Nominal Output RPM @ 1750 RPM In	Gear Ratio	Continuous Duty Output Torque (In-Lbs) Based on 1750 RPM Motor										Max Input Hp	Max Output Torque Rating In-Lbs	NEMA Motor Mount	Style Number	Catalog Number	List Price	Mult. Sym.	Ap'x Shpg. Wgt.	
		0.25	0.33	0.5	0.75	1	1.5	2	3	5	7.5									10
350	5:1		75	112	149								1.11	165	56C	F-913-05-B5-G	GF0513AG	457	GB	20
			75	112	149								1.11	165	56C	F-913-05-B5-J	GF0513AJ	457	GB	20
				115	154	231							1.50	231	56C	F-915-05-B5-G	GF0515AG	489	GB	25
				115	154	231							1.50	231	140TC	F-915-05-B7-G	GF0515BG	489	GB	25
				115	154	231							1.50	231	56C	F-915-05-B5-H	GF0515AH	518	GB	25
					160	240	320						2.00	320	56C	F-918-05-B5-G	GF0518AG	501	GB	30
					160	240	320						2.00	320	140TC	F-918-05-B7-G	GF0518BG	501	GB	30
						246	327	491					3.14	514	140TC	F-921-05-B7-G	GF0521BG	627	GB	35
						246	327	491					3.14	514	140TC	F-921-05-B7-J	GF0521BJ	627	GB	35
							339	507					4.17	705	180TC	F-924-05-B9-G	GF0524CG	740	GB	40
							339	508	847				5.43	919	180TC	F-926-05-B9-G	GF0526CG	858	GB	55
								502	837	1255			7.64	1279	180TC	F-930-05-B9-G	GF0530CG	1,167	GB	68
							837	1255	1674		13.7	2315	210TC	F-938-05-B11-H	GF0538DH	1,633	GB	126		
175	10:1		82	125	187							0.90	225	56C	F-913-10-B5-G	GF1013AG	457	GB	20	
			82	125	187							0.90	225	56C	F-913-10-B5-J	GF1013AJ	457	GB	20	
			82	125	187							0.90	225	56C	F-913-10-B5-H	GF1013AH	484	GB	20	
				141	211	282							1.03	290	56C	F-915-10-B5-G	GF1015AG	489	GB	20
				141	211	282							1.03	290	140TC	F-915-10-B7-G	GF1015BG	489	GB	20
				141	211	282							1.03	290	56C	F-915-10-B5-H	GF1015AH	518	GB	25
					214	285	428						1.50	428	56C	F-918-10-B5-G	GF1018AG	501	GB	30
					214	285	428						1.50	428	56C	F-918-10-B5-J	GF1018AJ	501	GB	30
					214	285	428						1.50	428	56C	F-918-10-B5-H	GF1018AH	530	GB	29
						214	285	428					1.50	428	140TC	F-918-10-B7-G	GF1018BG	501	GB	30
							312	468	624				2.02	630	56C	F-921-10-B5-G	GF1021AG	627	GB	35
							312	468	624				2.02	630	56C	F-921-10-B5-J	GF1021AJ	627	GB	35
					312	468	624				2.02	630	56C	F-921G-10-B5-G	GF10G21AG	627	GB	30		

**NOTE:**  Service Class I Torque Ratings (1.0 Service Factor)  
 Service Class II Torque Ratings ( $\geq 1.4$  Service Factor)  
 Service Class III Torque Ratings ( $\geq 2.0$  Service Factor)

Vertical motor below gearhead not recommended.  
 Avoiding those positions where the high speed oil seal is immersed in oil, will provide greater security against high speed input seal wear.  
 Replacement oil - 1 Qt P/N MJ0006A05SP (Klubersynth UH1-6-460)

#### Assembly Types



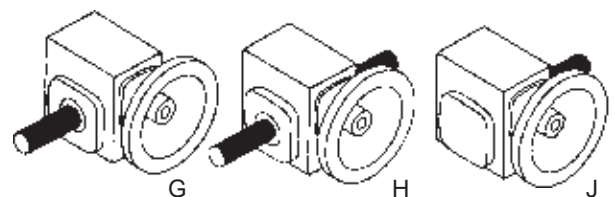
### 900 Series – Right Angle – Quill Type – Solid Shaft continued...

Nominal Output RPM @ 1750 RPM In	Gear Ratio	Continuous Duty Output Torque (In-Lbs) Based on 1750 RPM Motor									Max Input Hp	Max Output Torque Rating In-Lbs	NEMA Motor Mount	Style Number	Catalog Number	List Price	Mult. Sym.	Ap'x Shpg. Wgt.		
		0.25	0.33	0.5	0.75	1	1.5	2	3	5									7.5	
175	10:1				312	468	624					2.02	630	56C	F-921-10-B5-H	GF1021AH	661	GB	35	
					312	468	624					2.02	630	140TC	F-921-10-B7-G	GF1021BG	627	GB	35	
					317	475	634						2.73	893	140TC	F-924-10-B7-G	GF1024BG	740	GB	40
								655	983				3.59	1177	140TC	F-926-10-B7-G	GF1026BG	858	GB	55
								655	983				3.59	1177	180TC	F-926-10-B9-G	GF1026CG	858	GB	55
								641	961	1602			5.48	1755	180TC	F-930-10-B9-G	GF1030CG	1,167	GB	68
									990	1649			6.36	2106	180TC	F-932-10-B9-G	GF1032CG	1,265	GB	87
							963	1604	2407		9.05	2905	210TC	F-938-10-B11-G	GF1038DG	1,545	GB	126		
117	15:1	89	118	179								0.66	225	56C	F-913-15-B5-G	GF1513AG	457	GB	20	
		89	118	179								0.66	225	56C	F-913-15-B5-J	GF1513AJ	457	GB	20	
		89	118	179								0.66	225	56C	F-913-15-B5-H	GF1513AH	484	GB	20	
			127	193	289								0.81	312	56C	F-915-15-B5-G	GF1515AG	489	GB	25
			127	193	289								0.81	312	56C	F-915-15-B5-H	GF1515AH	518	GB	25
				209	314	419							1.07	448	56C	F-918-15-B5-G	GF1518AG	501	GB	30
				209	314	419							1.07	448	56C	F-918-15-B5-J	GF1518AJ	501	GB	30
				209	314	419							1.07	448	56C	F-918-15-B5-H	GF1518AH	530	GB	30
				246	369	492							1.35	664	56C	F-921-15-B5-G	GF1521AG	627	GB	35
				246	369	492							1.35	664	56C	F-921-15-B5-J	GF1521AJ	627	GB	35
				246	369	492							1.35	664	56C	F-921-15-B5-H	GF1521AH	661	GB	35
				246	369	492							1.35	664	140TC	F-921-15-B7-G	GF1521BG	627	GB	35
							470	705	939				2.11	992	56C	F-924-15-B5-G	GF1524AG	740	GB	40
							470	705	939				2.11	992	56C	F-924-15-B5-J	GF1524AJ	740	GB	40
							470	705	939				2.11	992	140TC	F-924-15-B7-G	GF1524BG	740	GB	40
							473	710	947				2.58	1225	140TC	F-926-15-B7-G	GF1526BG	858	GB	55
								686	915	1373			4.14	1903	180TC	F-930-15-B9-G	GF1530CG	1,167	GB	68
									959	1438			4.66	2241	140TC	F-932-15-B7-G	GF1532BG	1,265	GB	87
									959	1438			4.66	2241	180TC	F-932-15-B9-G	GF1532CG	1,265	GB	87
										1409	2349		6.64	3118	180TC	F-938-15-B9-G	GF1538CG	1,545	GB	126
88	20:1	113	149	226								0.53	239	56C	F-913-20-B5-G	GF2013AG	457	GB	20	
		113	149	226								0.53	239	56C	F-913-20-B5-H	GF2013AH	484	GB	20	
		128	169	256								0.62	317	56C	F-915-20-B5-G	GF2015AG	489	GB	25	
		128	169	256								0.62	317	56C	F-915-20-B5-H	GF2015AH	518	GB	25	
			165	251	376								0.92	461	56C	F-918-20-B5-G	GF2018AG	501	GB	30
			165	251	376								0.92	461	56C	F-918-20-B5-J	GF2018AJ	501	GB	30
			165	251	376								0.92	461	56C	F-918-20-B5-H	GF2018AH	530	GB	30
				323	484	645							1.06	684	56C	F-921-20-B5-G	GF2021AG	627	GB	35
				323	484	645							1.06	684	56C	F-921-20-B5-J	GF2021AJ	627	GB	35
				323	484	645							1.06	684	56C	F-921G-20-B5-G	GF20G21AG	627	GB	35

**NOTE:**   Service Class I Torque Ratings (1.0 Service Factor) See notes on inside back flap and pages 5-6.  
  Service Class II Torque Ratings ( $\geq 1.4$  Service Factor)  
  Service Class III Torque Ratings ( $\geq 2.0$  Service Factor)

Vertical motor below gearhead not recommended. Avoiding those positions where the high speed oil seal is immersed in oil, will provide greater security against high speed input seal wear.

#### Assembly Types



Gearmotors and Gear Products

Motor Accessories

Grinders

Generators

Servo Motors and Controls

Mod Express

Baldor Education Workshops

Warranties and Sales Policies

Cross Reference and Index

Baldor Sales Offices

### 900 Series - Right Angle - Quill Type - Solid Shaft continued...

Nominal Output RPM @ 1750 RPM In	Gear Ratio	Continuous Duty Output Torque (In-Lbs) Based on 1750 RPM Motor									Max Input Hp	Max Output Torque Rating In-Lbs	NEMA Motor Mount	Style Number	Catalog Number	List Price	Mult. Sym.	Ap'x Shpg. Wgt.	
		0.25	0.33	0.5	0.75	1	1.5	2	3	5									7.5
88	20:1		323	484	645							1.06	684	56C	F-921-20-B5-H	GF2021AH	661	GB	35
			323	484	645							1.06	684	140TC	F-921-20-B7-G	GF2021BG	627	GB	35
			323	484	645							1.06	684	140TC	F-921G-20-B7-G	GF20G21BG	627	GB	30
				451	602	902						1.72	1038	56C	F-924-20-B5-G	GF2024AG	740	GB	40
				451	602	902						1.72	1038	140TC	F-924-20-B7-G	GF2024BG	740	GB	40
					609	913	1218					2.15	1308	56C	F-926-20-B5-G	GF2026AG	858	GB	55
					609	913	1218					2.15	1308	140TC	F-926-20-B7-G	GF2026BG	858	GB	55
						880	1174	1761				3.31	1955	140TC	F-930-20-B7-G	GF2030BG	1,167	GB	68
						880	1174	1761				3.31	1955	180TC	F-930-20-B9-G	GF2030CG	1,167	GB	68
						880	1174	1761				3.31	1955	180TC	F-930-20-B9-J	GF2030CJ	1,167	GB	68
						924	1232	1848				3.85	2383	140TC	F-932-20-B7-G	GF2032BG	1,265	GB	87
						924	1232	1848				3.85	2383	180TC	F-932-20-B9-G	GF2032CG	1,265	GB	87
					1176	1764	2940			5.43	3193	180TC	F-938-20-B9-G	GF2038CG	1,545	GB	126		
70	25:1	119	157	238							0.50	238	56C	F-913-25-B5-G	GF2513AG	457	GB	20	
		156	206	312							0.51	318	56C	F-915-25-B5-G	GF2515AG	489	GB	25	
		156	206	312							0.51	318	56C	F-915-25-B5-H	GF2515AH	518	GB	25	
			183	277	416							0.8	444	56C	F-918-25-B5-G	GF2518AG	501	GB	28
			183	277	416							0.8	444	56C	F-918-25-B5-J	GF2518AJ	501	GB	30
			250	379	569							0.89	675	56C	F-921-25-B5-G	GF2521AG	627	GB	35
			250	379	569							0.89	675	56C	F-921-25-B5-J	GF2521AJ	627	GB	35
			250	379	569							0.89	675	56C	F-921G-25-B5-G	GF25G21AG	627	GB	40
				365	547	729						1.37	1002	56C	F-924-25-B5-G	GF2524AG	740	GB	36
				365	547	729						1.37	1002	140TC	F-924-25-B7-G	GF2524BG	740	GB	40
					567	756	1134					1.73	1307	140TC	F-926-25-B7-G	GF2526BG	858	GB	55
						711	1066	1422				2.78	1978	56C	F-930-25-B5-G	GF2530AG	1,167	GB	68
				711	1066	1422				2.78	1978	140TC	F-930-25-B7-G	GF2530BG	1,167	GB	68		
					1134	1513	2269			3.13	2355	140TC	F-932-25-B7-G	GF2532BG	1,265	GB	87		
						1440	2160			4.50	3222	180TC	F-938-25-B9-H	GF2538CH	1,633	GB	126		
58	30:1	148	195								0.42	248	56C	F-913-30-B5-G	GF3013AG	457	GB	20	
		148	195								0.42	248	56C	F-913-30-B5-H	GF3013AH	484	GB	20	
		159	210	318							0.50	318	56C	F-915-30-B5-G	GF3015AG	489	GB	25	
		159	210	318							0.50	318	56C	F-915-30-B5-H	GF3015AH	518	GB	25	
			216	327								0.72	470	56C	F-918-30-B5-G	GF3018AG	501	GB	30
			216	327								0.72	470	56C	F-918-30-B5-J	GF3018AJ	501	GB	30
			216	327								0.72	470	56C	F-918-30-B5-H	GF3018AH	530	GB	30
			275	416	624							0.83	691	56C	F-921-30-B5-G	GF3021AG	627	GB	35
			275	416	624							0.83	691	56C	F-921-30-B5-J	GF3021AJ	627	GB	35
			275	416	624							0.83	691	56C	F-921-30-B5-H	GF3021AH	661	GB	35
			275	416	624							0.83	691	56C	F-921G-30-B5-G	GF30G21AG	627	GB	30
				420	630	840						1.32	1111	56C	F-924-30-B5-G	GF3024AG	740	GB	40
		420	630	840						1.32	1111	56C	F-924-30-B5-J	GF3024AJ	740	GB	40		
		420	630	840						1.32	1111	140TC	F-924-30-B7-G	GF3024BG	740	GB	40		
			641	854	1281					1.54	1313	56C	F-926-30-B5-G	GF3026AG	858	GB	55		
			641	854	1281					1.54	1313	140TC	F-926-30-B7-G	GF3026BG	858	GB	55		
				804	1206	1608				2.47	1978	56C	F-930-30-B5-G	GF3030AG	1,167	GB	68		
				804	1206	1608				2.47	1978	56C	F-930-30-B5-J	GF3030AJ	1,167	GB	68		
				804	1206	1608				2.47	1978	140TC	F-930-30-B7-G	GF3030BG	1,167	GB	68		
				881	1322	1763				2.81	2482	140TC	F-932-30-B7-G	GF3032BG	1,265	GB	87		
					1626	2438				3.97	3226	180TC	F-938-30-B9-G	GF3038CG	1,545	GB	126		

**NOTE:** Refer to Brochure CA1600 for Dimensions and Engineering Information.

See notes on inside back flap and pages 5-6.

- Service Class I Torque Ratings (1.0 Service Factor)
- Service Class II Torque Ratings ( $\geq 1.4$  Service Factor)
- Service Class III Torque Ratings ( $\geq 2.0$  Service Factor)

Vertical motor below gearhead not recommended.

Avoiding those positions where the high speed oil seal is immersed in oil, will provide greater security against high speed input seal wear.

### 900 Series – Right Angle – Quill Type – Solid Shaft continued...

Nominal Output RPM @ 1750 RPM In	Gear Ratio	Continuous Duty Output Torque (In-Lbs) Based on 1750 RPM Motor										Max Input Hp	Max Output Torque Rating In-Lbs	NEMA Motor Mount	Style Number	Catalog Number	List Price	Mult. Sym.	Ap'x Shpg. Wgt.
		0.25	0.33	0.5	0.75	1	1.5	2	3	5	7.5								
44	40:1	174	230									0.33	230	56C	F-913-40-BG-G	GF4013AG	457	GB	20
		174	230									0.33	230	56C	F-913-40-B5-H	GF4013AH	484	GB	20
		208	275									0.38	317	56C	F-915-40-B5-G	GF4015AG	489	GB	25
		208	275									0.38	317	56C	F-915-40-B5-J	GF4015AJ	489	GB	25
		180	238	360								0.64	461	56C	F-918-40-B5-G	GF4018AG	501	GB	30
		180	238	360								0.64	461	56C	F-918-40-B5-J	GF4018AJ	501	GB	30
				340	515							0.66	680	56C	F-921-40-B5-G	GF4021AG	627	GB	35
				340	515							0.66	680	56C	F-921-40-B5-J	GF4021AJ	627	GB	35
					521	781						0.99	1030	56C	F-924-40-B5-G	GF4024AG	740	GB	40
					521	781						0.99	1030	56C	F-924-40-B5-J	GF4024AJ	740	GB	40
					521	781						0.99	1030	56C	F-924-40-B5-H	GF4024AH	782	GB	40
					524	786	1049					1.23	1296	56C	F-926-40-B5-G	GF4026AG	858	GB	55
					524	786	1049					1.23	1296	56C	F-926-40-B5-J	GF4026AJ	858	GB	55
					524	786	1049					1.23	1296	140TC	F-926-40-B7-G	GF4026BG	858	GB	55
						794	1059	1589				1.84	1960	56C	F-930-40-B5-G	GF4030AG	1,167	GB	68
						794	1059	1589				1.84	1960	140TC	F-930-40-B7-G	GF4030BG	1,167	GB	68
							1180	1620	2160			2.20	2374	140TC	F-932-40-B7-G	GF4032BG	1,265	GB	87
								1596	2129	3192		3.00	3192	180TC	F-938-40-B9-G	GF4038CG	1,545	GB	126
								1596	2129	3192		3.00	3192	180TC	F-938-40-B9-H	GF4038CH	1,633	GB	126
		35	50:1	177	234								0.33	234	56C	F-913-50-B5-G	GF5013AG	457	GB
177	234										0.33	234	56C	F-913-50-B5-H	GF5013AH	484	GB	20	
230	303										0.33	303	56C	F-915-50-B5-G	GF5015AG	489	GB	25	
222	294										0.49	436	56C	F-918-50-B5-G	GF5018AG	501	GB	30	
222	294										0.49	436	56C	F-918-50-B5-J	GF5018AJ	501	GB	30	
280	370			561								0.58	651	56C	F-921-50-B5-G	GF5021AG	627	GB	35
280	370			561								0.58	651	56C	F-921-50-B5-J	GF5021AJ	627	GB	35
280	370			561								0.58	651	56C	F-921-50-B5-H	GF5021AH	661	GB	35
				401	608	912						0.83	1014	56C	F-924-50-B5-G	GF5024AG	740	GB	40
					621	932	1242					1.00	1242	56C	F-926-50-B5-G	GF5026AG	858	GB	55
					621	932	1242					1.00	1242	140TC	F-926-50-B7-G	GF5026BG	858	GB	55
						850	1134	1701				1.67	1890	56C	F-930-50-B5-G	GF5030AG	1,167	GB	68
						850	1134	1701				1.67	1890	140TC	F-930-50-B7-G	GF5030BG	1,167	GB	68
						958	1278	1917				1.83	2366	56C	F-932-50-B5-G	GF5032AG	1,265	GB	87
						958	1278	1917				1.83	2366	140TC	F-932-50-B7-G	GF5032BG	1,265	GB	87
							1152	1729	2305			2.67	3076	140TC	F-938-50-B7-G	GF5038BG	1,545	GB	126
					1152	1729	2305			2.67	3076	140TC	F-938-50-B7-H	GF5038BH	1,633	GB	126		
29	60:1	218	288								0.33	288	56C	F-915-60-B5-G	GF6015AG	489	GB	25	
		218	288								0.33	288	56C	F-915-60-B5-H	GF6015AH	518	GB	25	
		220	290								0.47	413	56C	F-918-60-B5-G	GF6018AG	501	GB	30	
		220	290								0.47	413	56C	F-918-60-B5-J	GF6018AJ	501	GB	30	
		220	290								0.47	413	56C	F-918-60-B5-H	GF6018AH	530	GB	30	

**NOTE:**   Service Class I Torque Ratings (1.0 Service Factor) See notes on inside back flap and pages 5-6.  
  Service Class II Torque Ratings (≥ 1.4 Service Factor)  
  Service Class III Torque Ratings (≥ 2.0 Service Factor)

Vertical motor below gearhead not recommended.  
 Avoiding those positions where the high speed oil seal is immersed in oil, will provide greater security against high speed input seal wear.

Gearmotors and Gear Products

Motor Accessories

Grinders

Generators

Servo Motors and Controls

Mod Express

Baldor Education Workshops

Warranties and Sales Policies

Cross Reference and Index

Baldor Sales Offices



### 900 Series - Right Angle - Quill Type - Solid Shaft continued...

Nominal Output RPM @ 1750 RPM In	Gear Ratio	Continuous Duty Output Torque (In-Lbs) Based on 1750 RPM Motor									Max Input Hp	Max Output Torque Rating In-Lbs	NEMA Motor Mount	Style Number	Catalog Number	List Price	Mult. Sym.	Ap'x Shpg. Wgt.	
		0.25	0.33	0.5	0.75	1	1.5	2	3	5									7.5
29	60:1	317	418	634								0.50	634	56C	F-921-60-B5-G	<b>GF6021AG</b>	627	GB	35
		317	418	634								0.50	634	56C	F-921-60-B5-H	<b>GF6021AH</b>	661	GB	35
		317	418	634								0.50	634	56C	F-921-60-B5-J	<b>GF6021AJ</b>	627	GB	35
			458	693								0.69	958	56C	F-924-60-B5-G	<b>GF6024AG</b>	740	GB	40
			458	693								0.69	958	56C	F-924-60-B5-J	<b>GF6024AJ</b>	740	GB	40
			473	716	1074							0.82	1166	56C	F-926-60-B5-G	<b>GF6026AG</b>	858	GB	55
			473	716	1074							0.82	1166	56C	F-926-60-B5-J	<b>GF6026AJ</b>	858	GB	55
			473	716	1074							0.82	1166	56C	F-926-60-B5-H	<b>GF6026AH</b>	904	GB	55
					896	1195	1795					1.50	1795	56C	F-930-60-B5-G	<b>GF6030AG</b>	1,167	GB	68
					896	1195	1795					1.50	1795	140TC	F-930-60-B7-G	<b>GF6030BG</b>	1,167	GB	68
					1100	1467	2200					1.54	2255	56C	F-932-60-B5-G	<b>GF6032AG</b>	1,265	GB	87
					1100	1467	2200					1.54	2255	140TC	F-932-60-B7-G	<b>GF6032BG</b>	1,265	GB	87
						1254	1881	2508				2.33	2921	140TC	F-938-60-B7-G	<b>GF6038BG</b>	1,545	GB	126
						1254	1881	2508				2.33	2921	140TC	F-938-60-B7-H	<b>GF6038BH</b>	1,633	GB	126

**NOTE:**  Service Class I Torque Ratings (1.0 Service Factor)  
 Service Class II Torque Ratings ( $\geq 1.4$  Service Factor)  
 Service Class III Torque Ratings ( $\geq 2.0$  Service Factor)

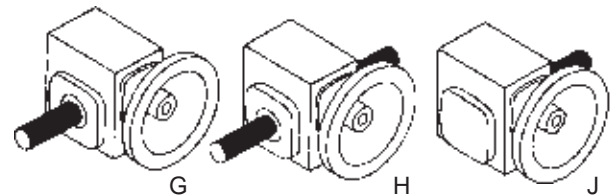
See notes on inside back flap and pages 5-6.

Suffix G = Left hand output facing input  
 J = Right hand output facing input  
 H = Double Output Shaft

Vertical motor below gearhead not recommended.

Avoiding those positions where the high speed oil seal is immersed in oil, will provide greater security against high speed input seal wear.

Assembly Types



### 900 Series – Right Angle – Quill Type Hollow Shaft



1.33 thru 3.25 CD

56C thru 180TC

**Applications:** Ideal for conveyors, material handling, textile machines, packaging machinery. etc. (slow speed and high torque).

**Features:** Heavy duty cast iron housing, chill cast bronze gearing, precision ground hardened worm, ball bearing on input shaft, tapered roller bearings on output shaft. Industry-standard mounting dimensions. Pre-filled with food grade (H1) Klubersynth UH1-6-460 synthetic oil, sealed housing provides maintenance-free lubed for life operation.

Nominal Output RPM @ 1750 RPM In	Gear Ratio	Continuous Duty Output Torque (In-Lbs) Based on 1750 RPM Motor									Max Input Hp	Max Output Torque Rating In-Lbs	NEMA Motor Mount	Style Number	Catalog Number	List Price	Mult. Sym.	Ap'x Shpg. Wgt.	
		0.25	0.33	0.5	0.75	1	1.5	2	3	5									7.5
350	5:1		75	112	149							1.00	165	56C	HF-913-05-B5-H	GHF0513AH	602	GB	20
						160	240	320				2.00	320	56C	HF-918-05-B5-H	GHF0518AH	644	GB	30
175	10:1			214	285	428						1.50	428	56C	HF-918-10-B5-H	GHF1018AH	644	GB	30
						312	468	624				2.02	630	56C	HF-921-10-B5-H	GHF1021AH	765	GB	35
117	15:1						641	961	1602			5.48	1755	180TC	HF-930-10-B9-H	GHF1030CH	1,387	GB	75
		89	118	179								0.66	25	56C	HF-913-15-B5-H	GHF1513AH	602	GB	20
				209	314	419						1.07	448	56C	HF-918-15-B5-H	GHF1518AH	644	GB	30
				246	369	492						1.35	664	56C	HF-921-15-B5-H	GHF1521AH	765	GB	35
						470	705	939				2.11	992	56C	HF-924-15-B5-H	GHF1524AH	919	GB	45
88	20:1						686	915	1373			4.14	1903	140TC	HF-930-15-B7-H	GHF1530BH	1,387	GB	75
		113	149	226								0.53	239	56C	HF-913-20-B5-H	GHF2013AH	602	GB	20
			165	251	376							0.92	461	56C	HF-918-20-B5-H	GHF2018AH	644	GB	30
				323	484	645						1.06	684	56C	HF-921-20-B5-H	GHF2021AH	765	GB	35
					451	602	902					1.72	1038	56C	HF-924-20-B5-H	GHF2024AH	919	GB	45
70	25					609	913	1218			2.15	1309	56C	HF-926-20-B5-H	GHF2026AH	1,085	GB	56	
							880	1174	1761			3.31	1955	140TC	HF-930-20-B7-H	GHF2030BH	1,387	GB	75
		183	277	416								0.80	444	56C	HF-918-25-B5-H	GHF2518AH	644	GB	23
			250	379	569							0.89	675	56C	HF-921-25-B5-H	GHF2521AH	765	GB	32
				567	756	1134						1.73	1307	140TC	HF-926-25-B7-H	GHF2526BH	1,085	GB	44
58	30:1										2.78	1978	140TC	HF-930-25-B7-H	GHF2530BH	1,387	GB	88	
		148	195									0.42	248	56C	HF-913-30-B5-H	GHF3013AH	602	GB	20
			216	327								0.72	470	56C	HF-918-30-B5-H	GHF3018AH	644	GB	30
			275	416	624							0.83	691	56C	HF-921-30-B5-H	GHF3021AH	765	GB	35
				420	630	840						1.32	1111	56C	HF-924-30-B5-H	GHF3024AH	919	GB	45
					641	854	1281					1.54	1313	56C	HF-926-30-B5-H	GHF3026AH	1,085	GB	56
44	40:1										2.47	1978	140TC	HF-930-30-B7-H	GHF3030BH	1,387	GB	75	
						804	1206	1608				2.81	2462	140TC	HF-932-30-B7-H	GHF3032BH	1,503	GB	95
		180	238	360								0.64	461	56C	HF-918-40-B5-H	GHF4018AH	644	GB	30
			340	515								0.66	680	56C	HF-921-40-B5-H	GHF4021AH	765	GB	35
				521	781							0.99	1030	56C	HF-924-40-B5-H	GHF4024AH	919	GB	45
35	50:1										1.23	1296	56C	HF-926-40-B5-H	GHF4026AH	1,085	GB	56	
						524	786	1049				1.23	1296	140TC	HF-926-40-B7-H	GHF4026BH	1,085	GB	56
						524	786	1049				2.20	2374	140TC	HF-932-40-B7-H	GHF4032BH	1,503	GB	95
							1074	1611	2148			2.20	2374	140TC	HF-932-40-B7-H	GHF4032BH	1,503	GB	95
		177	234									0.33	234	56C	HF-913-50-B5-H	GHF5013AH	602	GB	20
29	60:1										0.49	436	56C	HF-918-50-B5-H	GHF5018AH	644	GB	30	
												0.58	651	56C	HF-921-50-B5-H	GHF5021AH	765	GB	35
						401	608	912				0.83	1014	56C	HF-924-50-B5-H	GHF5024AH	919	GB	45
							850	1134	1701			1.67	1890	56C	HF-930-50-B5-H	GHF5030AH	1,387	GB	75
							958	1278	1917			1.83	2366	56C	HF-932-50-B5-H	GHF5032AH	1,503	GB	95
29	60:1										0.47	413	56C	HF-918-60-B5-H	GHF6018AH	644	GB	30	
												0.50	634	56C	HF-921-60-B5-H	GHF6021AH	765	GB	35
						458	693					0.69	958	56C	HF-924-60-B5-H	GHF6024AH	919	GB	45
						473	716	1074				0.82	1166	56C	HF-926-60-B5-H	GHF6026AH	1,085	GB	56
							896	1195	1795			1.50	1795	56C	HF-930-60-B5-H	GHF6030AH	1,387	GB	75
							1100	1467	2200			1.54	2255	56C	HF-932-60-B5-H	GHF6032AH	1,503	GB	95

**NOTE:**   Service Class I Torque Ratings (1.0 Service Factor)  
  Service Class II Torque Ratings (≥ 1.4 Service Factor)  
  Service Class III Torque Ratings (≥ 2.0 Service Factor)

See notes on inside back flap and pages 5-6.

Vertical motor below gearhead not recommended

Avoiding those positions where the high speed oil seal is immersed in oil, will provide greater security against high speed input seal wear.

### Stainless Steel - Right Angle - Quill Type Solid Shaft

1.75 thru 2.62 CD

56C thru 140TC

**Applications:** Baldor's all stainless speed reducers are easy to clean and sanitize, minimizing bacterial contamination for food processing equipment. Stainless steel provides the high protection for pharmaceutical and chemical processing applications where harsh chemicals and cleaning solutions can be extremely corrosive to aluminum, cast iron and other materials.

**Features:** Housing and covers are cast stainless steel to endure hostile environments. 300 Series stainless output shafts and all stainless steel hardware for long rust resistant life. O-ring sealed housing and motor interface helps keeps contaminants out. Pre-filled with food grade (H1) Klubersynth UH1-6-460 synthetic oil. Sealed housing provides maintenance-free lubed for life operation. BISSC certified (Baking Industry Sanitation Standards Committee).



Nominal Output RPM @ 1750 RPM In	Gear Ratio	Continuous Duty Output Torque (In-Lbs) Based on 1750 RPM Motor										Max Input Hp	Max Output Torque Rating In-Lbs	NEMA Motor Mount	Style Number	Catalog Number	List Price	Mult. Sym.	Ap'x Shpg. Wgt.		
		0.25	0.33	0.5	0.75	1	1.5	2	3	5	7.5										
350	5:1					160	240	320					2.00	320	56C	SSF-918-05-B5-G	SSGF0518AG	1,553	GB	30	
						160	240	320					2.00	320	140TC	SSF-918-05-B7-G	SSGF0518BG	1,553	GB	30	
								246	327	491				3.14	514	140TC	SSF-921-05-B7-G	SSGF0521BG	1,817	GB	35
										339	508	847		5.43	919	140TC	SSF-926-05-B7-G	SSGF0526BG	2,556	GB	65
175	10:1			214	285	428							1.50	428	56C	SSF-918-10-B5-G	SSGF1018AG	1,553	GB	30	
				214	285	428							1.50	428	140TC	SSF-918-10-B7-G	SSGF1018BG	1,553	GB	30	
						312	468	624						2.02	630	140TC	SSF-921-10-B7-G	SSGF1021BG	1,817	GB	35
										655	983			3.59	1177	140TC	SSF-926-10-B7-G	SSGF1026BG	2,556	GB	65
117	15:1		209	314	419								1.07	448	56C	SSF-918-15-B5-G	SSGF1518AG	1,553	GB	30	
			246	369	492								1.35	664	56C	SSF-921-15-B5-G	SSGF1521AG	1,817	GB	35	
						473	710	947					2.58	1225	140TC	SSF-926-15-B7-G	SSGF1526BG	2,556	GB	65	
88	20:1		165	251	376								0.92	461	56C	SSF-918-20-B5-G	SSGF2018AG	1,553	GB	30	
				323	484	645							1.06	684	56C	SSF-921-20-B5-G	SSGF2021AG	1,817	GB	35	
						609	913	1218					2.15	1308	140TC	SSF-926-20-B7-G	SSGF2026BG	2,556	GB	65	
70	25:1		183	277	416								0.80	444	56C	SSF-918-25-B5-G	SSGF2518AG	1,553	GB	30	
			250	379	569								0.89	675	56C	SSF-921-25-B5-G	SSGF2521AG	1,817	GB	35	
						567	756	1134					1.73	1307	140TC	SSF-926-25-B7-G	SSGF2526BG	2,556	GB	65	
58	30:1		216	327									0.72	470	56C	SSF-918-30-B5-G	SSGF3018AG	1,553	GB	30	
			275	416	624								0.83	691	56C	SSF-921-30-B5-G	SSGF3021AG	1,817	GB	35	
						641	854	1281					1.54	1313	140TC	SSF-926-30-B7-G	SSGF3026BG	2,556	GB	65	
44	40:1		180	238	360								0.64	461	56C	SSF-918-40-B5-G	SSGF4018AG	1,553	GB	30	
			340	515									0.66	680	56C	SSF-921-40-B5-G	SSGF4021AG	1,817	GB	35	
						524	786	1049					1.23	1296	140TC	SSF-926-40-B7-G	SSGF4026BG	2,556	GB	65	
35	50:1		222	294									0.49	436	56C	SSF-918-50-B5-G	SSGF5018AG	1,553	GB	30	
			280	370	561								0.58	651	56C	SSF-921-50-B5-G	SSGF5021AG	1,817	GB	35	
						621	932	1242					1.00	1242	56C	SSF-926-50-B5-G	SSGF5026AG	2,556	GB	65	
29	60:1		220	290									0.47	413	56C	SSF-918-60-B5-G	SSGF6018AG	1,553	GB	30	
			317	418	634								0.50	634	56C	SSF-921-60-B5-G	SSGF6021AG	1,817	GB	35	
						473	716	1074					0.82	1166	56C	SSF-926-60-B5-G	SSGF6026AG	2,556	GB	65	

**NOTE:**  Service Class I Torque Ratings (1.0 Service Factor)  Service Class II Torque Ratings (≥ 1.4 Service Factor)  Service Class III Torque Ratings (≥ 2.0 Service Factor)

Refer to Brochure CA1600 for Dimensions and Engineering Information. See notes on inside back flap and pages 5-6.

Vertical motor below gearhead not recommended. Avoiding those positions where the high speed oil seal is immersed in oil, will provide greater security against high speed input seal wear. Horizontal bases, SSB18H71, SSB21H71 and SSB26H71, are available, see page 383.

### Stainless Steel – Right Angle – Quill Type Hollow Shaft



SSGHF2026AH Shown

1.75 thru 2.62 CD

56C thru 140TC

**Applications:** Baldor's all stainless speed reducers are easy to clean and sanitize, minimizing bacterial contamination for food processing equipment. Stainless steel provides the high protection for pharmaceutical and chemical processing applications where harsh chemicals and cleaning solutions can be extremely corrosive to aluminum, cast iron and other materials.

**Features:** Housing and covers are cast stainless steel to endure hostile environments. 300 Series stainless output shafts and all stainless steel hardware for long rust resistant life. O-ring sealed housing and motor interface helps keeps contaminants out. Pre-filled with food grade (H1) Klubersynth UH1-6-460 synthetic oil. Sealed housing provides maintenance-free lubed for life operation. BISSC certified (Baking Industry Sanitation Standards Committee).

Nominal Output RPM @ 1750 RPM In	Gear Ratio	Continuous Duty Output Torque (In-Lbs) Based on 1750 RPM Motor										Max Input Hp	Max Output Torque Rating In-Lbs	NEMA Motor Mount	Style Number	Catalog Number	List Price	Mult. Sym.	Ap'x Shpg. Wgt.
		0.25	0.33	0.5	0.75	1	1.5	2	3	5	7.5								
350	5:1					160	240	320				2.00	320	56C	SSHF-918-05-B5-H	SSGHF0518AH	1,640	GB	30
175	10:1				214	285	428					1.50	428	56C	SSHF-918-10-B5-H	SSGHF1018AH	1,640	GB	30
						312	468	624				2.20	630	56C	SSHF-921-10-B5-H	SSGHF1021AH	1,900	GB	38
117	15:1			209	314	419						1.07	448	56C	SSHF-918-15-B5-H	SSGHF1518AH	1,640	GB	30
				246	369	492						1.35	664	56C	SSHF-921-15-B5-H	SSGHF1521AH	1,900	GB	38
88	20:1		165	251	376							0.92	461	56C	SSHF-918-20-B5-H	SSGHF2018AH	1,640	GB	30
				323	484	645						1.06	684	56C	SSHF-921-20-B5-H	SSGHF2021AH	1,900	GB	38
						609	913	1218				2.15	1309	56C	SSHF-926-20-B5-H	SSGHF2026AH	2,734	GB	60
58	30:1		216	327								0.72	470	56C	SSHF-918-30-B5-H	SSGHF3018AH	1,640	GB	30
			275	416	624							0.83	691	56C	SSHF-921-30-B5-H	SSGHF3021AH	1,900	GB	38
					641	854	1281					1.54	1313	56C	SSHF-926-30-B5-H	SSGHF3026AH	2,734	GB	60
44	40:1	180	238	360								0.64	461	56C	SSHF-918-40-B5-H	SSGHF4018AH	1,640	GB	30
			340	515								0.66	680	56C	SSHF-921-40-B5-H	SSGHF4021AH	1,900	GB	38
				524	786	1049						1.23	1296	56C	SSHF-926-40-B5-H	SSGHF4026AH	2,734	GB	60
				524	786	1049						1.23	1296	140TC	SSHF-926-40-B7-H	SSGHF4026BH	2,734	GB	60
35	50:1	222	294									0.49	436	56C	SSHF-918-50-B5-H	SSGHF5018AH	1,640	GB	30
		280	370	561								0.58	651	56C	SSHF-921-50-B5-H	SSGHF5021AH	1,900	GB	38
				621	932	1242						1.00	1242	56C	SSHF-926-50-B5-H	SSGHF5026AH	2,734	GB	53
29	60:1	220	290									0.47	413	56C	SSHF-918-60-B5-H	SSGHF6018AH	1,640	GB	30
		317	418	634								0.50	634	56C	SSHF-921-60-B5-H	SSGHF6021AH	1,900	GB	38
			473	716	1074							0.82	1166	56C	SSHF-926-60-B5-H	SSGHF6026AH	2,734	GB	60

**NOTE:**   Service Class I Torque Ratings (1.0 Service Factor)  
  Service Class II Torque Ratings (≥ 1.4 Service Factor)  
  Service Class III Torque Ratings (≥ 2.0 Service Factor)

Refer to Brochure CA1600 for Dimensions and Engineering Information.  
 See notes on inside back flap and pages 5-6.

Vertical motor below gearhead not recommended.  
 Avoiding those positions where the high speed oil seal is immersed in oil, will provide greater security against high speed input seal wear.  
 Horizontal bases, SSB18H71, SSB21H71 and SSB26H71, are available, see page 383.

### Washdown - Right Angle - Quill Type Solid Shaft

**1.33 thru 3.25 CD**

**56C thru 140TC**

**Applications:** Food processing and other applications regularly exposed to high pressure washdown.

**Features:** Epoxy coated, heavy-duty cast iron housing. Stainless steel output shaft and hardware. Sealed housing, provides maintenance-free, lubed for life operation. Pre-filled with food grade (H1) Klubersynth synthetic oil. Industry standard mounting dimensionally interchangeable with many other worm gear reducers. BISSC certified (Baking Industry Sanitation Standards Committee).



WDFG1018AG Shown

Nominal Output RPM @ 1750 RPM In	Gear Ratio	Continuous Duty Output Torque (In-Lbs) Based on 1750 RPM Motor									Max Input Hp	Max Output Torque Rating In-Lbs	NEMA Motor Mount	Style Number	Catalog Number	List Price	Mult. Sym.	Ap'x Shpg. Wgt.
		0.25	0.33	0.5	0.75	1	1.5	2	3	5								
350	5:1					160	240	320			2.00	320	56C	WDF-918-05-B5-G	WDFG0518AG	613	GB	30
175	10:1		82	125	187						0.90	225	56C	WDF-913-10-B5-G	WDFG1013AG	570	GB	20
				141	211	282					1.03	290	56C	WDF-915-10-B5-G	WDFG1015AG	602	GB	25
				141	211	282					1.03	290	140TC	WDF-915-10-B7-G	WDFG1015BG	602	GB	25
					214	285	428				1.50	428	56C	WDF-918-10-B5-G	WDFG1018AG	613	GB	30
						312	468	624			2.20	630	56C	WDF-921-10-B5-G	WDFG1021AG	755	GB	35
						317	475	634			2.73	893	140TC	WDF-924-10-B7-G	WDFG1024BG	884	GB	40
117	15:1	89	118	179							0.66	225	56C	WDF-913-15-B5-G	WDFG1513AG	570	GB	20
			127	193	289						0.81	312	56C	WDF-915-15-B5-G	WDFG1515AG	602	GB	25
				209	314	419					1.07	448	56C	WDF-918-15-B5-G	WDFG1518AG	613	GB	30
				246	369	492					1.35	664	56C	WDF-921-15-B5-G	WDFG1521AG	755	GB	35
						470	705	939			2.11	992	56C	WDF-924-15-B5-G	WDFG1524AG	884	GB	40
88	20:1	113	149	226							0.53	239	56C	WDF-913-20-B5-G	WDFG2013AG	570	GB	20
			128	169	256						0.62	317	56C	WDF-915-20-B5-G	WDFG2015AG	602	GB	25
				165	251	376					0.92	461	56C	WDF-918-20-B5-G	WDFG2018AG	613	GB	30
						609	913	1218			2.15	1309	140TC	WDF-926-20-B7-G	WDFG2026BG	1,010	GB	55
58	30:1		216	327							0.72	470	56C	WDF-918-30-B5-G	WDFG3018AG	613	GB	30
			275	416	624						0.83	691	56C	WDF-921-30-B5-G	WDFG3021AG	755	GB	35
				420	630	840					1.32	111	56C	WDF-924-30-B5-G	WDFG3024AG	884	GB	40
					641	854	1281				1.54	1313	56C	WDF-926-30-B5-G	WDFG3026AG	1,010	GB	55
						881	1322	1763			2.81	2462	140TC	WDF-932-30-B7-G	WDFG3032BG	1,483	GB	87
44	40:1	208	275								0.44	317	56C	WDF-915-40-B5-G	WDFG4015AG	602	GB	25
		180	238	360							0.64	461	56C	WDF-918-40-B5-G	WDFG4018AG	613	GB	30
			340	515							0.66	680	56C	WDF-921-40-B5-G	WDFG4021AG	755	GB	35
				521	781						0.99	1030	56C	WDF-924-40-B5-G	WDFG4024AG	884	GB	40
				524	786	1049					1.23	1296	56C	WDF-926-40-B5-G	WDFG4026AG	1,010	GB	55
						1081	1622	2163			2.20	2374	140TC	WDF-932-40-B7-G	WDFG4032BG	1,483	GB	87
35	50:1	177	234								0.33	234	56C	WDF-913-50-B5-G	WDFG5013AG	570	GB	20
		230	303								0.33	303	56C	WDF-915-50-B5-G	WDFG5015AG	602	GB	25
		280	370	561							0.58	651	56C	WDF-921-50-B5-G	WDFG5021AG	755	GB	35
			401	608	912						0.83	1014	56C	WDF-924-50-B5-G	WDFG5024AG	884	GB	40
				621	932	1242					1.00	1242	56C	WDF-926-50-B5-G	WDFG5026AG	1,010	GB	55
					958	1278	1917				1.83	2366	140TC	WDF-932-50-B7-G	WDFG5032BG	1,483	GB	92
29	60:1	218	288								0.33	288	56C	WDF-915-60-B5-G	WDFG6015AG	602	GB	25
		220	290								0.47	413	56C	WDF-918-60-B5-G	WDFG6018AG	613	GB	30
		317	418	634							0.50	634	56C	WDF-921-60-B5-G	WDFG6021AG	755	GB	35
			458	693							0.69	956	56C	WDF-924-60-B5-G	WDFG6024AG	884	GB	40
			473	716	1074						0.82	1166	56C	WDF-926-60-B5-G	WDFG6026AG	1,010	GB	55
					1100	1467	2200				1.54	2255	56C	WDF-932-60-B5-G	WDFG6032AG	1,483	GB	87

**NOTE:**  Service Class I Torque Ratings (1.0 Service Factor)  
 Service Class II Torque Ratings (≥ 1.4 Service Factor)  
 Service Class III Torque Ratings (≥ 2.0 Service Factor)

See notes on inside back flap and pages 5-6.

Vertical motor below gearhead not recommended.  
 Avoiding those positions where the high speed oil seal is immersed in oil, will provide greater security against high speed input seal wear.



### 900 Series – Right Angle – Coupling Type – Solid Shaft



GLF1018AG Shown

1.33 thru 3.75 CD

56C thru 180TC

**Applications:** Ideal for conveyors, material handling, textile machines, packaging machinery. etc. (slow speed and high torque).

**Features:** Heavy duty cast iron housings, chill cast bronze gears, precision ground hardened worm, ball bearings on input shaft, tapered roller bearings on output shaft. Industry-standard mounting dimensions. Pre-filled with food grade (H1) Klubersynth UH1-6-460 synthetic oil, sealed housing provides maintenance-free lubed for life operation. Motor coupling included.

Nominal Output RPM @ 1750 RPM In	Gear Ratio	Continuous Duty Output Torque (In-Lbs) Based on 1750 RPM Motor										Max Input Hp	Max Output Torque Rating In-Lbs	NEMA Motor Mount	Style Number	Catalog Number	List Price	Mult. Sym.	Ap'x Shpg. Wgt.	
		0.25	0.33	0.5	0.75	1	1.5	2	3	5	7.5									
350	5:1				115	154	231					1.50	231	56C	LF-915-05-B5-G	GLF0515AG	509	GB	30	
223	7.5:1				237	356	474					2.70	640	56C	LF-921-7.5-B5-G	GLF0821AG	644	GB	38	
					237	356	474					2.70	640	56C	LF-921-7.5-B5-J	GLF0821AJ	644	GB	38	
					237	356	474					2.70	640	140TC	LF-921-7.5-B7-G	GLF0821BG	644	GB	38	
								501	752			4.30	1079	140TC	LF-926-7.5-B7-G	GLF0826BG	884	GB	60	
175	10:1											4.30	1079	180TC	LF-926-7.5-B9-G	GLF0826CG	884	GB	60	
					214	285	428					1.50	428	56C	LF-918-10-B5-G	GLF1018AG	522	GB	32	
							312	468	624			2.02	630	56C	LF-921-10-B5-G	GLF1021AG	644	GB	38	
							312	468	624			2.02	630	140TC	LF-921-10-B7-G	GLF1021BG	644	GB	38	
							312	468	624			2.02	630	140TC	LF-921-10-B7-J	GLF1021BJ	644	GB	38	
							317	475	634			2.73	893	140TC	LF-924-10-B7-G	GLF1024BG	757	GB	45	
									655	983			3.59	1177	140TC	LF-926-10-B7-G	GLF1026BG	884	GB	60
									655	983			3.59	1177	180TC	LF-926-10-B9-G	GLF1026CG	884	GB	60
117	15:1											6.36	2106	180TC	LF-932-10-B9-G	GLF1032CG	1,289	GB	100	
			89	118	179							0.66	2228	56C	LF-913-15-B5-G	GLF1513AG	468	GB	20	
					246	369	492					1.35	664	56C	LF-921-15-B5-G	GLF1521AG	644	GB	38	
					246	369	492					1.35	664	56C	LF-921-15-B5-J	GLF1521AJ	644	GB	38	
							473	710	947			2.58	1225	140TC	LF-926-15-B7-G	GLF1526BG	884	GB	60	
							473	710	947			2.58	1225	140TC	LF-926-15-B7-J	GLF1526BJ	884	GB	60	
									959	1438			4.66	2241	180TC	LF-932-15-B9-G	GLF1532CG	1,289	GB	100
									959	1438			4.66	2241	180TC	LF-932-15-B9-J	GLF1532CJ	1,289	GB	100
88	20:1											6.64	3118	180TC	LF-938-15-B9-G	GLF1538CG	1,574	GB	130	
			113	149	226							0.53	239	56C	LF-913-20-B5-G	GLF2013AG	468	GB	20	
				165	251	376						0.92	464	56C	LF-918-20-B5-G	GLF2018AG	522	GB	32	
			323	484	645						1.06	684	56C	LF-921-20-B5-G	GLF2021AG	644	GB	38		

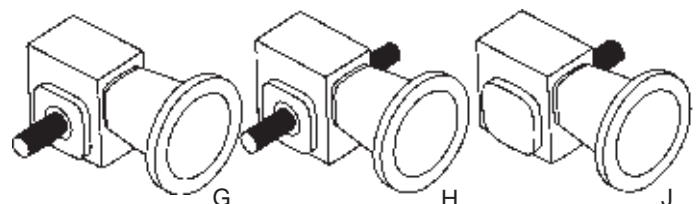
**NOTE:**  Service Class I Torque Ratings (1.0 Service Factor)  
 Service Class II Torque Ratings ( $\geq 1.4$  Service Factor)  
 Service Class III Torque Ratings ( $\geq 2.0$  Service Factor)

Optional Shaft Positions, Base Installation and Motor Mounting available through Mod Express.  
 Refer to a Baldor District Office for pricing and delivery.  
 See notes on inside back flap and pages 5-6.

Vertical motor below gearhead not recommended.

Avoiding those positions where the high speed oil seal is immersed in oil, will provide greater security against high speed input seal wear.

#### Assembly Types





### 900 Series - Right Angle - Coupling Type - Solid Shaft continued...

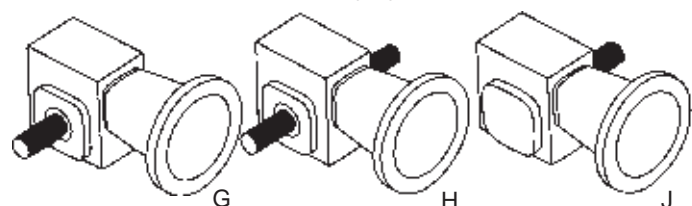
Nominal Output RPM @ 1750 RPM In	Gear Ratio	Continuous Duty Output Torque (In-Lbs) Based on 1750 RPM Motor									Max Input Hp	Max Output Torque Rating In-Lbs	NEMA Motor Mount	Style Number	Catalog Number	List Price	Mult. Sym.	Ap'x Shpg. Wgt.	
		0.25	0.33	0.5	0.75	1	1.5	2	3	5									7.5
88	20:1		323	484	645							1.06	684	56C	LF-921-20-B5-J	GLF2021AJ	644	GB	38
						609	913	1218				2.15	1308	140TC	LF-926-20-B7-G	GLF2026BG	884	GB	60
						609	913	1218				2.15	1308	140TC	LF-926-20-B7-J	GLF2026BJ	884	GB	60
70	25:1						924	1232	1848			3.85	2383	180TC	LF-932-20-B9-G	GLF2032CG	1,289	GB	100
		156	296	312								0.51	318	56C	LF-915-25-B5-G	GLF2515AG	509	GB	30
			183	277	416							0.80	444	56C	LF-918-25-B5-B	GLF2518AG	522	GB	32
			250	379	549							0.89	675	56C	LF-921-25-B5-G	GLF2521AG	644	GB	38
			250	379	569							0.89	675	56C	LF-921-25-B5-J	GLF2521AJ	644	GB	38
					567	756	1134					1.73	1307	56C	LF-926-25-B5-G	GLF2526AG	884	GB	60
					567	756	1134					1.73	1307	140TC	LF-926-25-B7-G	GLF2526BG	884	GB	60
							1134	1513	2269			3.13	2355	140TC	LF-932-25-B7-G	GLF2532BG	1,289	GB	100
							1134	1513	2269			3.13	2355	180TC	LF-932-25-B9-G	GLF2532CG	1,289	GB	100
58	30:1		148	195								0.42	248	56C	LF-913-30-B5-G	GLF3013AG	468	GB	20
			159	210	318							0.50	318	56C	LF-915-30-B5-G	GLF3015AG	509	GB	30
				216	327							0.72	470	56C	LF-918-30-B5-G	GLF3018AG	522	GB	32
				216	327							0.72	470	56C	LF-918-30-B5-J	GLF3018AJ	522	GB	32
				275	416	624						0.83	691	56C	LF-921-30-B5-G	GLF3021AG	644	GB	38
					420	630	840					1.32	1111	56C	LF-924-30-B5-G	GLF3024AG	757	GB	45
						641	854	1281				1.54	1313	140TC	LF-926-30-B7-G	GLF3026BG	884	GB	60
						641	854	1281				1.54	1313	140TC	LF-926-30-B7-J	GLF3026BJ	884	GB	60
							881	1322	1763			2.81	2482	180TC	LF-932-30-B9-G	GLF3032CG	1,289	GB	100
44	40:1		180	238	360							0.64	461	56C	LF-918-40-B5-G	GLF4018AG	522	GB	32
					521	781						0.99	1030	56C	LF-924-40-B5-G	GLF4024AG	757	GB	45
					524	786	1049					1.23	1296	56C	LF-926-40-B5-G	GLF4026AG	884	GB	60
						1180	1620	2160				2.20	2374	140TC	LF-932-40-B7-G	GLF4032BG	1,289	GB	100
							1596	2129	3192			3.00	3192	180TC	LF-938-40-B9-G	GLF4038CG	1,574	GB	130
35	50:1	280	370	561								0.58	651	56C	LF-921-50-B5-G	GLF5021AG	644	GB	38
				621	932	1242						1.00	1242	56C	LF-926-50-B5-G	GLF5026AG	884	GB	60
29	60:1	218	288									0.33	288	56C	LF-915-60-B5-G	GLF6015AG	509	GB	30
		220	290									0.47	413	56C	LF-918-60-B5-G	GLF6018AG	522	GB	32
		317	418	634								0.50	634	56C	LF-921-60-B5-G	GLF6021AG	644	GB	38
			473	716	1074							0.82	1166	56C	LF-926-60-B5-G	GLF6026AG	884	GB	60
					1100	1467	2200					1.54	2255	56C	LF-932-60-B5-G	GLF6032AG	1,289	GB	100
				1100	1467	2200					1.54	2255	140TC	LF-932-60-B7-G	GLF6032BG	1,289	GB	100	

**NOTE:**  Service Class I Torque Ratings (1.0 Service Factor)  
 Service Class II Torque Ratings (≥ 1.4 Service Factor)  
 Service Class III Torque Ratings (≥ 2.0 Service Factor)

Suffix G = Left hand output facing input  
 J = Right hand output facing input  
 H = Double Output Shaft

Vertical motor below gearhead not recommended.  
 Avoiding those positions where the high speed oil seal is immersed in oil, will provide greater security against high speed input seal wear.

Assembly Types



### 900 Series – Right Angle – Solid Shaft



GS3018G Shown

### 1.33 thru 2.62 CD

**Applications:** Ideal for conveyors, material handling, textile machines, packaging machinery and more. Suitable for direct coupling or belted input (slow speed and high torque).

**Features:** Heavy duty cast iron housings, chill cast bronze gears, precision ground hardened worm, ball bearings on input shaft, tapered roller bearings on output shaft. Industry-standard mounting dimensions. Pre-filled with food grade (H1) Klubersynth UH1-6-460 synthetic oil, sealed housing provides maintenance-free lubed for life operation.

Nominal Output RPM @ 1750 RPM In	Gear Ratio	Continuous Duty Output Torque (In-Lbs) Based on 1750 RPM Motor									Max Input Hp	Max Output Torque Rating In-Lbs	Style Number	Catalog Number	List Price	Mult. Sym.	Ap'x Shpg. Wgt.	
		0.25	0.33	0.5	0.75	1	1.5	2	3	5								7.5
175	10:1				214	285	428					1.50	428	S-918-10-G	<b>GS1018G</b>	437	GB	25
						312	468	624				2.02	630	S-921-10-G	<b>GS1021G</b>	515	GB	28
								492	655			3.59	1177	S-926-10-G	<b>GS1026G</b>	725	GB	50
117	15:1	96	127	193							0.66	225	S-915-15-G	<b>GS1515G</b>	431	GB	21	
				209	314	419						1.07	448	S-918-15-G	<b>GS1518G</b>	437	GB	25
				246	369	492						1.35	664	S-921-15-G	<b>GS1521G</b>	515	GB	28
88	20:1	165	251	376							0.92	461	S-918-20-G	<b>GS2018G</b>	437	GB	25	
				323	484	645						1.06	684	S-921-20-G	<b>GS2021G</b>	515	GB	28
					451	602	902					1.72	1038	S-924-20-G	<b>GS2024G</b>	642	GB	38
						609	913	1218				2.15	1308	S-926-20-G	<b>GS2026G</b>	725	GB	50
		156	206	312								0.51	318	S-915-25-G	<b>GS2515G</b>	431	GB	21
58	30:1	148	195								0.42	248	S-913-30-G	<b>GS3013G</b>	418	GB	18	
			216	327								0.72	470	S-918-30-G	<b>GS3018G</b>	437	GB	25
			275	416	624							0.83	691	S-921-30-G	<b>GS3021G</b>	515	GB	28
				641	854	1281						1.54	1313	S-926-30-G	<b>GS3026G</b>	725	GB	50
		208	275									0.38	317	S-915-40-G	<b>GS4015G</b>	431	GB	21
44	40:1	180	238	360							0.64	461	S-918-40-G	<b>GS4018G</b>	437	GB	25	
			340	515								0.66	680	S-921-40-G	<b>GS4021G</b>	515	GB	28
				524	786	1049						1.23	1296	S-926-40-G	<b>GS4026G</b>	725	GB	50
35	50:1	222	294								0.49	436	S-918-50-G	<b>GS5018G</b>	437	GB	25	
		280	370	561							0.59	651	S-921-50-G	<b>GS5021G</b>	515	GB	28	
				621	932	1242						1.00	1242	S-926-50-G	<b>GS5026G</b>	725	GB	50
29	60:1	179									0.28	201	S-913-60-G	<b>GS6013G</b>	418	GB	18	
		218	288								0.33	288	S-915-60-G	<b>GS6015G</b>	431	GB	21	
		220	290								0.47	413	S-918-60-G	<b>GS6018G</b>	437	GB	25	
		317	418	634							0.50	634	S-921-60-G	<b>GS6021G</b>	515	GB	28	
			458	693							0.69	958	S-924-60-G	<b>GS6024G</b>	642	GB	38	
			473	716	1074						0.82	1166	S-926-60-G	<b>GS6026G</b>	725	GB	50	

**NOTE:**   Service Class I Torque Ratings (1.0 Service Factor)  
  Service Class II Torque Ratings ( $\geq 1.4$  Service Factor)  
  Service Class III Torque Ratings ( $\geq 2.0$  Service Factor)

Optional Shaft Positions and Base Installation available through Mod Express.  
Refer to a Baldor District Office for pricing and delivery.  
See notes on inside back flap and pages 5-6.

Vertical motor below gearhead not recommended.  
Avoiding those positions where the high speed oil seal is immersed in oil, will provide greater security against high speed input seal wear.

### 1/4 Horsepower Stock Gear-Motors



Baldor has pre-selected and assembled our stock 900 Series\* speed reducers to our most stock popular single-phase, three-phase and DC Industrial motors. These pre-assembled *Gear-Motors* offer a variety of output torques and output speeds to fit most industrial applications. To order select the desired output torque and speed or speed and input horsepower, then choose the corresponding Baldor catalog number. Your *Gear-Motor* will ship in one package, pre-assembled from the factory within 48 hours.

RPM	Service Factor	Output Torque In. Lbs.	Max. Overhung Load Rating	Ratio	NEMA Input	Catalog Number	List Price	Mult. Sym.	Ap'x. Shpg. Wgt.
<b>TEFC, 1 Phase 115/230 Volt</b>									
350	4.40	37	240	5:1	56C	GF0513AGA25	738	GB	40
175	3.60	62	240	10:1	56C	GF1013AGA25	738	GB	40
117	2.60	85	240	15:1	56C	GF1513AGA25	738	GB	40
88	2.10	112	240	20:1	56C	GF2013AGA25	738	GB	40
70	2.00	119	240	25:1	56C	GF2513AGA25	738	GB	40
58	1.70	147	240	30:1	56C	GF3013AGA25	738	GB	40
44	1.30	174	240	40:1	56C	GF4013AGA25	738	GB	40
35	1.30	229	300	50:1	56C	GF5015AGA25	770	GB	45
29	1.30	218	300	60:1	56C	GF6015AGA25	770	GB	45
<b>TEFC, 3 Phase 230/460 Volt</b>									
350	4.40	37	240	5:1	56C	GF0513AGB25	735	GB	39
175	3.60	62	240	10:1	56C	GF1013AGB25	735	GB	39
117	2.60	85	240	15:1	56C	GF1513AGB25	735	GB	39
88	2.10	112	240	20:1	56C	GF2013AGB25	735	GB	39
70	2.00	119	240	25:1	56C	GF2513AGB25	735	GB	39
58	1.70	147	240	30:1	56C	GF3013AGB25	735	GB	39
44	1.30	174	240	40:1	56C	GF4013AGB25	735	GB	39
35	1.30	229	300	50:1	56C	GF5015AGB25	767	GB	44
29	1.30	218	300	60:1	56C	GF6015AGB25	767	GB	44
<b>TENV, DC SCR, 90 Volts</b>									
350	4.40	37	240	5:1	56C	GF0513AGC25	1,041	GB	44
175	3.60	62	240	10:1	56C	GF1013AGC25	1,041	GB	44
117	2.60	85	240	15:1	56C	GF1513AGC25	1,041	GB	44
88	2.10	112	240	20:1	56C	GF2013AGC25	1,041	GB	44
70	2.00	119	240	25:1	56C	GF2513AGC25	1,041	GB	44
58	1.70	147	240	30:1	56C	GF3013AGC25	1,041	GB	44
44	1.30	174	240	40:1	56C	GF4013AGC25	1,041	GB	44
35	1.30	229	300	50:1	56C	GF5015AGC25	1,073	GB	49
29	1.30	218	300	60:1	56C	GF6015AGC25	1,073	GB	49
<b>TENV, DC SCR, 180 Volts</b>									
350	4.40	37	240	5:1	56C	GF0513AGD25	1,041	GB	44
175	3.60	62	240	10:1	56C	GF1013AGD25	1,041	GB	44
117	2.60	85	240	15:1	56C	GF1513AGD25	1,041	GB	44
88	2.10	112	240	20:1	56C	GF2013AGD25	1,041	GB	44
70	2.00	119	240	25:1	56C	GF2513AGD25	1,041	GB	44
58	1.70	147	240	30:1	56C	GF3013AGD25	1,041	GB	44
44	1.30	174	240	40:1	56C	GF4013AGD25	1,041	GB	44
35	1.30	229	300	50:1	56C	GF5015AGD25	1,073	GB	49
29	1.30	218	300	60:1	56C	GF6015AGD25	1,073	GB	49

**NOTE:** \*See page 360 for 900 Series features.

### 1/3 Horsepower Stock Gear-Motors



Baldor has pre-selected and assembled our stock 900 Series\* speed reducers to our most stock popular single-phase, three-phase and DC Industrial motors. These pre-assembled *Gear-Motors* offer a variety of output torques and output speeds to fit most industrial applications. To order select the desired output speed and torque or speed and input horsepower, then choose the corresponding Baldor catalog number. Your *Gear-Motor* will ship in one package, pre-assembled from the factory within 48 hours.

RPM	Service Factor	Output Torque In. Lbs.	Max. Overhung Load Rating	Ratio	NEMA Input	Catalog Number	List Price	Mult. Sym.	Ap'x. Shpg. Wgt.
<b>TEFC, 1 Phase 115/230 Volt</b>									
350	3.30	49	240	5:1	56C	GF0513AGA33	771	GB	42
175	2.70	82	240	10:1	56C	GF1013AGA33	771	GB	42
117	2.00	113	240	15:1	56C	GF1513AGA33	771	GB	42
88	1.60	148	240	20:1	56C	GF2013AGA33	771	GB	42
70	1.50	157	240	25:1	56C	GF2513AGA33	771	GB	42
58	1.50	209	300	30:1	56C	GF3015AGA33	803	GB	47
44	1.90	237	600	40:1	56C	GF4018AGA33	815	GB	52
35	1.50	293	600	50:1	56C	GF5018AGA33	815	GB	52
29	1.60	289	600	60:1	56C	GF6018AGA33	815	GB	52
<b>TEFC, 3 Phase, 230/460 Volt</b>									
350	3.30	49	240	5:1	56C	GF0513AGB33	757	GB	42
175	2.70	82	240	10:1	56C	GF1013AGB33	757	GB	42
117	2.00	113	240	15:1	56C	GF1513AGB33	757	GB	42
88	1.60	148	240	20:1	56C	GF2013AGB33	757	GB	42
70	1.50	157	240	25:1	56C	GF2513AGB33	757	GB	42
58	1.50	209	300	30:1	56C	GF3015AGB33	789	GB	47
44	1.90	237	600	40:1	56C	GF4018AGB33	801	GB	52
35	1.50	293	600	50:1	56C	GF5018AGB33	801	GB	52
29	1.60	289	600	60:1	56C	GF6018AGB33	801	GB	52
<b>TENV, DC SCR, 90 Volt</b>									
350	3.30	49	240	5:1	56C	GF0513AGC33	1,074	GB	47
175	2.70	82	240	10:1	56C	GF1013AGC33	1,074	GB	47
117	2.00	113	240	15:1	56C	GF1513AGC33	1,074	GB	47
88	1.60	148	240	20:1	56C	GF2013AGC33	1,074	GB	47
70	1.50	157	240	25:1	56C	GF2513AGC33	1,074	GB	47
58	1.50	209	300	30:1	56C	GF3015AGC33	1,106	GB	52
44	1.90	237	600	40:1	56C	GF4018AGC33	1,117	GB	57
35	1.50	293	600	50:1	56C	GF5018AGC33	1,117	GB	57
29	1.60	289	600	60:1	56C	GF6018AGC33	1,117	GB	57
<b>TENV, DC SCR, 180 Volt</b>									
350	3.30	49	240	5:1	56C	GF0513AGD33	1,074	GB	47
175	2.70	82	240	10:1	56C	GF1013AGD33	1,074	GB	47
117	2.00	113	240	15:1	56C	GF1513AGD33	1,074	GB	47
88	1.60	148	240	20:1	56C	GF2013AGD33	1,074	GB	47
70	1.50	157	240	25:1	56C	GF2513AGD33	1,074	GB	47
58	1.50	209	300	30:1	56C	GF3015AGD33	1,106	GB	52
44	1.90	237	600	40:1	56C	GF4018AGD33	1,117	GB	57
35	1.50	293	600	50:1	56C	GF5018AGD33	1,117	GB	57
29	1.60	289	600	60:1	56C	GF6018AGD33	1,117	GB	57

**NOTE:** \*See page 360 for 900 Series features.

### 1/2 Horsepower Stock Gear-Motors



Baldor has pre-selected and assembled our stock 900 Series\* speed reducers to our most stock popular single-phase, three-phase and DC Industrial motors. These pre-assembled *Gear-Motors* offer a variety of output torques and output speeds to fit most industrial applications. To order select the desired output speed and torque or speed and input horsepower, then choose the corresponding Baldor catalog number. Your *Gear-Motor* will ship in one package, pre-assembled from the factory within 48 hours.

RPM	Service Factor	Output Torque In. Lbs.	Max. Overhung Load Rating	Ratio	NEMA Input	Catalog Number	List Price	Mult. Sym.	Ap'x. Shpg. Wgt.
<b>TEFC, 1 Phase 115/230 Volt</b>									
350	2.20	74	240	5:1	56C	GF0513AGA50	822	GB	47
175	1.80	125	240	10:1	56C	GF1013AGA50	822	GB	47
117	1.60	192	300	15:1	56C	GF1515AGA50	854	GB	52
88	1.80	250	600	20:1	56C	GF2018AGA50	866	GB	57
70	1.60	278	600	25:1	56C	GF2518AGA50	866	GB	57
58	1.40	326	600	30:1	56C	GF3018AGA50	866	GB	57
44	1.30	515	750	40:1	56C	GF4021AGA50	992	GB	62
35	1.66	610	1000	50:1	56C	GF5024AGA50	1,105	GB	67
29	1.40	694	1000	60:1	56C	GF6024AGA50	1,105	GB	67
<b>TEFC, 3 Phase, 230/460 Volt</b>									
350	2.20	74	240	5:1	56C	GF0513AGB50	801	GB	43
175	1.80	125	240	10:1	56C	GF1013AGB50	801	GB	43
117	1.60	192	300	15:1	56C	GF1515AGB50	833	GB	48
88	1.80	250	600	20:1	56C	GF2018AGB50	845	GB	53
70	1.60	278	600	25:1	56C	GF2518AGB50	845	GB	53
58	1.40	326	600	30:1	56C	GF3018AGB50	845	GB	53
44	1.30	515	750	40:1	56C	GF4021AGB50	971	GB	58
35	1.66	610	1000	50:1	56C	GF5024AGB50	1,084	GB	63
29	1.40	694	1000	60:1	56C	GF6024AGB50	1,084	GB	63
<b>ENV, DC SCR, 90 Volt</b>									
350	2.20	74	240	5:1	56C	GF0513AGC50	1,147	GB	52
175	1.80	125	240	10:1	56C	GF1013AGC50	1,147	GB	52
117	1.60	192	300	15:1	56C	GF1515AGC50	1,179	GB	57
88	1.80	250	600	20:1	56C	GF2018AGC50	1,190	GB	62
70	1.60	278	600	25:1	56C	GF2518AGC50	1,190	GB	62
58	1.40	326	600	30:1	56C	GF3018AGC50	1,190	GB	62
44	1.30	515	750	40:1	56C	GF4021AGC50	1,316	GB	67
35	1.66	610	1000	50:1	56C	GF5024AGC50	1,429	GB	72
29	1.40	694	1000	60:1	56C	GF6024AGC50	1,429	GB	72
<b>TENV, DC SCR, 180 Volt</b>									
350	2.20	74	240	5:1	56C	GF0513AGD50	1,147	GB	51
175	1.80	125	240	10:1	56C	GF1013AGD50	1,147	GB	51
117	1.60	192	300	15:1	56C	GF1515AGD50	1,179	GB	56
88	1.80	250	600	20:1	56C	GF2018AGD50	1,190	GB	61
70	1.60	278	600	25:1	56C	GF2518AGD50	1,190	GB	61
58	1.40	326	600	30:1	56C	GF3018AGD50	1,190	GB	61
44	1.30	515	750	40:1	56C	GF4021AGD50	1,316	GB	66
35	1.66	610	1000	50:1	56C	GF5024AGD50	1,429	GB	71
29	1.40	694	1000	60:1	56C	GF6024AGD50	1,429	GB	71

**NOTE:** \*See page 360 for 900 Series features.



### 3/4 Horsepower Stock Gear-Motors



Baldor has pre-selected and assembled our stock 900 Series\* speed reducers to our most stock popular single-phase, three-phase and DC Industrial motors. These pre-assembled *Gear-Motors* offer a variety of output torques and output speeds to fit most industrial applications. To order select the desired output speed and torque or speed and input horsepower, then choose the corresponding Baldor catalog number. Your *Gear-Motor* will ship in one package, pre-assembled from the factory within 48 hours.

RPM	Service Factor	Output Torque In. Lbs.	Max. Overhung Load Rating	Ratio	NEMA Input	Catalog Number	List Price	Mult. Sym.	Ap'x. Shpg. Wgt.
<b>TEFC, 1 Phase 115/230 Volt</b>									
350	1.50	111	240	5:1	56C	GF0513AGA75	877	GB	54
175	1.20	187	240	10:1	56C	GF1013AGA75	877	GB	54
117	1.40	360	600	15:1	56C	GF1518AGA75	921	GB	64
88	1.20	375	600	20:1	56C	GF2018AGA75	921	GB	64
70	1.20	568	750	25:1	56C	GF2521AGA75	1,047	GB	69
58	1.10	624	750	30:1	56C	GF3021AGA75	1,047	GB	69
44	1.30	780	1000	40:1	56C	GF4024AGA75	1,160	GB	74
35	1.10	916	1000	50:1	56C	GF5024AGA75	1,160	GB	74
29	1.10	1066	1000	60:1	56C	GF6026AGA75	1,160	GB	74
<b>TEFC, 3 Phase, 230/460 Volt</b>									
350	1.50	111	240	5:1	56C	GF0513AGB75	822	GB	45
175	1.20	187	240	10:1	56C	GF1013AGB75	822	GB	45
117	1.40	360	600	15:1	56C	GF1518AGB75	866	GB	55
88	1.20	375	600	20:1	56C	GF2018AGB75	866	GB	55
70	1.20	568	750	25:1	56C	GF2521AGB75	992	GB	60
58	1.10	624	750	30:1	56C	GF3021AGB75	992	GB	60
44	1.30	780	1000	40:1	56C	GF4024AGB75	1,105	GB	65
35	1.10	916	1000	50:1	56C	GF5024AGB75	1,105	GB	65
29	1.10	1066	1000	60:1	56C	GF6026AGB75	1,105	GB	65
<b>TENV, DC SCR, 90 Volt</b>									
350	1.50	111	240	5:1	56C	GF0513AGC75	1,295	GB	59
175	1.20	187	240	10:1	56C	GF1013AGC75	1,295	GB	59
117	1.40	360	600	15:1	56C	GF1518AGC75	1,338	GB	69
88	1.20	375	600	20:1	56C	GF2018AGC75	1,338	GB	69
70	1.20	568	750	25:1	56C	GF2521AGC75	1,465	GB	74
58	1.10	624	750	30:1	56C	GF3021AGC75	1,465	GB	74
44	1.30	780	1000	40:1	56C	GF4024AGC75	1,577	GB	79
35	1.10	916	1000	50:1	56C	GF5024AGC75	1,577	GB	79
29	1.10	1066	1000	60:1	56C	GF6026AGC75	1,577	GB	79
<b>TENV, DC SCR, 180 Volt</b>									
350	1.50	111	240	5:1	56C	GF0513AGD75	1,295	GB	59
175	1.20	187	240	10:1	56C	GF1013AGD75	1,295	GB	59
117	1.40	360	600	15:1	56C	GF1518AGD75	1,338	GB	69
88	1.20	375	600	20:1	56C	GF2018AGD75	1,338	GB	69
70	1.20	568	750	25:1	56C	GF2521AGD75	1,465	GB	74
58	1.10	624	750	30:1	56C	GF3021AGD75	1,465	GB	74
44	1.30	780	1000	40:1	56C	GF4024AGD75	1,577	GB	79
35	1.10	916	1000	50:1	56C	GF5024AGD75	1,577	GB	79
29	1.10	1066	1000	60:1	56C	GF6026AGD75	1,577	GB	79

**NOTE:** \*See page 360 for 900 Series features.



### 1 Horsepower Stock Gear-Motors



Baldor has pre-selected and assembled our stock 900 Series\* speed reducers to our most stock popular single-phase, three-phase and DC Industrial motors. These pre-assembled *Gear-Motors* offer a variety of output torques and output speeds to fit most industrial applications. To order select the desired output speed and torque or speed and input horsepower, then choose the corresponding Baldor catalog number. Your *Gear-Motor* will ship in one package, pre-assembled from the factory within 48 hours.

RPM	Service Factor	Output Torque In. Lbs.	Max. Overhung Load Rating	Ratio	NEMA Input	Catalog Number	List Price	Mult. Sym.	Ap'x. Shpg. Wgt.
<b>TEFC, 1 Phase 115/230 Volt</b>									
350	1.10	149	240	5:1	56C	GF0513AGA10	938	GB	58
175	1.50	285	600	10:1	56C	GF1018AGA10	982	GB	68
117	1.35	491	750	15:1	56C	GF1521AGA10	1,108	GB	73
88	1.70	603	1000	20:1	56C	GF2024AGA10	1,221	GB	78
70	1.40	730	1000	25:1	56C	GF2524AGA10	1,221	GB	78
58	1.30	842	1000	30:1	56C	GF3024AGA10	1,221	GB	78
44	1.20	1053	1100	40:1	56C	GF4024AGA10	1,221	GB	78
35	1.70	1131	1300	50:1	56C	GF5030AGA10	1,648	GB	106
29	1.50	1196	1300	60:1	56C	GF6030AGA10	1,648	GB	106
<b>TEFC, 3 Phase, 230/460 Volt</b>									
350	1.10	149	240	5:1	56C	GF0513AGB10	838	GB	50
175	1.50	285	600	10:1	56C	GF1018AGB10	882	GB	60
117	1.35	491	750	15:1	56C	GF1521AGB10	1,008	GB	65
88	1.70	603	1000	20:1	56C	GF2024AGB10	1,121	GB	70
70	1.40	730	1000	25:1	56C	GF2524AGB10	1,121	GB	70
58	1.30	842	1000	30:1	56C	GF3024AGB10	1,121	GB	70
44	1.20	1053	1100	40:1	56C	GF4024AGB10	1,121	GB	70
35	1.70	1131	1300	50:1	56C	GF5030AGB10	1,548	GB	98
29	1.50	1196	1300	60:1	56C	GF6030AGB10	1,548	GB	98
<b>TENV, DC SCR, 90 Volt</b>									
350	1.10	149	240	5:1	56C	GF0513AGC10	1,476	GB	64
175	1.50	285	600	10:1	56C	GF1018AGC10	1,519	GB	74
117	1.35	491	750	15:1	56C	GF1521AGC10	1,646	GB	79
88	1.70	603	1000	20:1	56C	GF2024AGC10	1,759	GB	84
70	1.40	730	1000	25:1	56C	GF2524AGC10	1,759	GB	84
58	1.30	842	1000	30:1	56C	GF3024AGC10	1,759	GB	84
44	1.20	1053	1100	40:1	56C	GF4024AGC10	1,759	GB	84
35	1.70	1131	1300	50:1	56C	GF5030AGC10	2,186	GB	112
29	1.50	1196	1300	60:1	56C	GF6030AGC10	2,186	GB	112
<b>TENV, DC SCR, 180 Volt</b>									
350	1.10	149	240	5:1	56C	GF0513AGD10	1,476	GB	64
175	1.50	285	600	10:1	56C	GF1018AGD10	1,519	GB	74
117	1.35	491	750	15:1	56C	GF1521AGD10	1,646	GB	79
88	1.70	603	1000	20:1	56C	GF2024AGD10	1,759	GB	84
70	1.40	730	1000	25:1	56C	GF2524AGD10	1,759	GB	84
58	1.30	842	1000	30:1	56C	GF3024AGD10	1,759	GB	84
44	1.20	1053	1100	40:1	56C	GF4024AGD10	1,759	GB	84
35	1.70	1131	1300	50:1	56C	GF5030AGD10	2,186	GB	112
29	1.50	1196	1300	60:1	56C	GF6030AGD10	2,186	GB	112

**NOTE:** \*See page 360 for 900 Series features.

### 1-1/2 Horsepower Stock Gear-Motors



Baldor has pre-selected and assembled our stock 900 Series\* speed reducers to our most stock popular single-phase, three-phase and DC Industrial motors. These pre-assembled *Gear-Motors* offer a variety of output torques and output speeds to fit most industrial applications. To order select the desired output speed and torque or speed and input horsepower, then choose the corresponding Baldor catalog number. Your *Gear-Motor* will ship in one package, pre-assembled from the factory within 48 hours.

RPM	Service Factor	Output Torque In. Lbs.	Max. Overhung Load Rating	Ratio	NEMA Input	Catalog Number	List Price	Mult. Sym.	Ap'x. Shpg. Wgt.
<b>TEFC, 1 Phase 115/230 Volt</b>									
350	1.30	240	600	5:1	56C	GF0518AGA15	1,045	GB	77
175	1.30	468	750	10:1	56C	GF1018AGA15	1,045	GB	77
117	1.40	705	1000	15:1	56C	GF1524AGA15	1,284	GB	87
88	1.10	905	1000	20:1	56C	GF2024AGA15	1,284	GB	87
70	1.20	1133	1100	25:1	140TC	GF2526BGA15	1,408	GB	102
58	1.60	1201	1300	30:1	56C	GF3030AGA15	1,711	GB	115
44	1.20	1598	1300	40:1	56C	GF4030AGA15	1,681	GB	102
35	1.20	1940	1500	50:1	140TC	GF5032BGA15	1,833	GB	134
29	1.60	1880	2000	60:1	140TC	GF6038AGA15	1,940	GB	173
<b>TEFC, 3 Phase, 230/460 Volt</b>									
350	1.30	240	600	5:1	56C	GF0518AGB15	929	GB	64
175	1.30	468	750	10:1	56C	GF1018AGB15	929	GB	64
117	1.40	705	1000	15:1	56C	GF1524AGB15	1,168	GB	74
88	1.10	905	1000	20:1	56C	GF2024AGB15	1,168	GB	74
70	1.20	1133	1100	25:1	140TC	GF2526BGB15	1,296	GB	89
58	1.60	1201	1300	30:1	56C	GF3030AGB15	1,595	GB	102
44	1.20	1598	1300	40:1	56C	GF4030AGB15	1,565	GB	102
35	1.20	1940	1500	50:1	56C	GF5032AGB15	1,693	GB	121
29	1.60	1880	2000	60:1	140TC	GF6038BGB15	1,997	GB	160
<b>TENV, DC SCR, 180 Volt</b>									
350	1.30	240	600	5:1	140TC	GF0518BGD15	2,380	GB	97
175	1.30	468	750	10:1	140TC	GF1018BGD15	2,379	GB	97
117	1.40	705	1000	15:1	140TC	GF1524BGD15	2,619	GB	107
88	1.10	905	1000	20:1	140TC	GF2024BGD15	2,619	GB	107
70	1.20	1133	1100	25:1	140TC	GF2526BGD15	2,737	GB	122
58	1.60	1201	1300	30:1	140TC	GF3030BGD15	3,046	GB	135
44	1.20	1598	1300	40:1	140TC	GF4030BGD15	3,016	GB	135
35	1.20	1940	1500	50:1	140TC	GF5032BGD15	3,144	GB	154
29	1.60	1880	2000	60:1	140TC	GF6038BGD15	3,424	GB	193

**NOTE:** \*See page 360 for 900 Series features.

### 2 Horsepower Stock Gear-Motors



Baldor has pre-selected and assembled our stock 900 Series\* speed reducers to our most stock popular single-phase, three-phase and DC Industrial motors. These pre-assembled *Gear-Motors* offer a variety of output torques and output speeds to fit most industrial applications. To order select the desired output torque and torque or speed and input horsepower, then choose the corresponding Baldor catalog number. Your *Gear-Motor* will ship in one package, pre-assembled from the factory within 48 hours.

RPM	Service Factor	Output Torque In. Lbs.	Max. Overhung Load Rating	Ratio	NEMA Input	Catalog Number	List Price	Mult. Sym.	Ap'x. Shpg. Wgt.
<b>TEFC, 1 Phase 115/230 Volt</b>									
350	1.60	327	750	5:1	140TC	<b>GF0521BGA20</b>	1,513	GB	84
175	1.40	654	1000	10:1	140TC	<b>GF1024BGA20</b>	1,626	GB	89
117	1.30	950	1100	15:1	140TC	<b>GF1526BGA20</b>	1,744	GB	104
88	1.10	1216	1100	20:1	140TC	<b>GF2026BGA20</b>	1,744	GB	104
70	1.40	1423	1300	25:1	140TC	<b>GF2530BGA20</b>	2,053	GB	117
58	1.20	1608	1300	30:1	140TC	<b>GF3030BGA20</b>	2,053	GB	117
44	1.10	2160	1500	40:1	140TC	<b>GF4032BGA20</b>	2,151	GB	136
35	1.30	2305	2000	50:1	140TC	<b>GF5038BGA20</b>	2,431	GB	175
29	1.20	2508	2000	60:1	140TC	<b>GF6038BGA20</b>	2,431	GB	175
<b>TEFC, 3 Phase, 230/460 Volt</b>									
350	1.60	327	750	5:1	140TC	<b>GF0521BGB20</b>	1,087	GB	77
175	1.40	654	1000	10:1	140TC	<b>GF1024BGB20</b>	1,200	GB	82
117	1.30	950	1100	15:1	140TC	<b>GF1526BGB20</b>	1,318	GB	97
88	1.10	1216	1100	20:1	140TC	<b>GF2026BGB20</b>	1,318	GB	97
70	1.40	1423	1300	25:1	140TC	<b>GF2530BGB20</b>	1,627	GB	110
58	1.20	1608	1300	30:1	140TC	<b>GF3030BGB20</b>	1,627	GB	110
44	1.10	2160	1500	40:1	140TC	<b>GF4032BGB20</b>	1,725	GB	129
35	1.30	2305	2000	50:1	140TC	<b>GF5038BGB20</b>	2,005	GB	168
29	1.20	2508	2000	60:1	140TC	<b>GF6038BGB20</b>	2,005	GB	168
<b>TENV, DC SCR, 180 Volt</b>									
350	1.60	327	750	5:1	140TC	<b>GF0521BGD20</b>	2,868	GB	109
175	1.40	654	1000	10:1	140TC	<b>GF1024BGD20</b>	2,981	GB	114
117	1.30	950	1100	15:1	140TC	<b>GF1526BGD20</b>	3,100	GB	129
88	1.10	1216	1100	20:1	140TC	<b>GF2026BGD20</b>	3,100	GB	129
70	1.40	1423	1300	25:1	140TC	<b>GF2530BGD20</b>	3,408	GB	142
58	1.20	1608	1300	30:1	140TC	<b>GF3030BGD20</b>	3,408	GB	142
44	1.10	2160	1500	40:1	140TC	<b>GF4032BGD20</b>	3,506	GB	161
35	1.30	2305	2000	50:1	140TC	<b>GF5038BGD20</b>	3,787	GB	200
29	1.20	2508	2000	60:1	140TC	<b>GF6038BGD20</b>	3,787	GB	200

**NOTE:** \*See page 360 for 900 Series features.

Gearmotors and Gear Products

Motor Accessories

Grinders

Generators

Servo Motors and Controls

Mod Express

Baldor Education Workshops

Warranties and Sales Policies

Cross Reference and Index

Baldor Sales Offices

### Universal Series – Right Angle – Quill Type – Solid Shaft

1.33 thru 3.50 CD

56C thru 180TC

**Applications:** Ideal for conveyors, material handling, textile machines, packaging machinery. etc. (slow speed and high torque).

**Features:** Heavy duty cast iron housings, forged bronze worm gears, hardened steel worms, ball bearing on input shaft, tapered roller bearings on output shaft. Integral heavy duty mounting feet cast on top and bottom of housing. Single output shaft, right hand facing input shaft. Pre-lubricated with Klubersynth UH1-6-460.



GSF2018AA Shown

Nominal Output RPM @ 1750 RPM In	Gear Ratio	Continuous Duty Output Torque (In-Lbs) Based on 1750 RPM Motor										Max Input Hp	Max Output Torque Rating In-Lbs	NEMA Motor Mount	Style Number	Catalog Number	List Price	Mult. Sym.	Ap'x Shpg. Wgt.
		0.18	0.25	0.33	0.5	0.75	1	1.5	2	3	5								
175	10:1			109	163							0.64	207	56C	STF-133-10-A-A	GSF1013AA	571	GB	21
						245	327					1.22	396	56C	STF-175-10-A-A	GSF1018AA	625	GB	22
						245	327					1.22	396	140TC	STF-175-10-B-A	GSF1018BA	625	GB	23
						244	325	488				1.77	572	56C	STF-200-10-A-A	GSF1020AA	746	GB	30
							325	488				1.77	572	140TC	STF-200-10-B-A	GSF1020BA	746	GB	29
							325	488	651			2.44	788	140TC	STF-225-10-B-A	GSF1023BA	846	GB	32
								488	651			3.43	1109	140TC	STF-258-10-B-A	GSF1026BA	1,079	GB	46
									651	976		3.43	1109	180TC	STF-258-10-C-A	GSF1026CA	1,079	GB	55
117	15:1			119	159							0.46	221	56C	STF-133-15-A-A	GSF1513AA	571	GB	21
				159	239	359						0.87	416	56C	STF-175-15-A-A	GSF1518AA	625	GB	23
					238	357	475					1.28	605	56C	STF-200-15-A-A	GSF1520AA	746	GB	29
						359	478	717				1.84	875	56C	STF-225-15-A-A	GSF1523AA	846	GB	37
							478	717				1.84	875	140TC	STF-225-15-B-A	GSF1523BA	846	GB	33
							478	717	956			2.50	1188	140TC	STF-258-15-B-A	GSF1526BA	1,079	GB	51
								717	956			3.25	1544	140TC	STF-300-15-B-A	GSF1530BA	1,233	GB	57
								717	956	1434		3.25	1544	180TC	STF-300-15-C-A	GSF1530CA	1,233	GB	61
88	20:1		102	154	205							0.36	220	56C	STF-133-20-A-A	GSF2013AA	571	GB	24
				205	308							0.68	419	56C	STF-175-20-A-A	GSF2018AA	625	GB	23
					308	462	616					1.00	612	56C	STF-200-20-A-A	GSF2020AA	746	GB	30
					308	462	616					1.00	612	140TC	STF-200-20-B-A	GSF2020BA	746	GB	28
					309	463	617					1.35	8.28	56C	STF-225-20-A-A	GSF2023AA	846	GB	37
					309	463	617					1.35	8.28	140TC	STF-225-20-B-A	GSF2023BA	846	GB	33
						461	615	923				1.92	1174	56C	STF-258-20-A-A	GSF2026AA	1,079	GB	51
							615	923				1.92	1174	140TC	STF-258-20-B-A	GSF2026BA	1,079	GB	51
							615	923	1230			2.52	1541	140TC	STF-300-20-B-A	GSF2030BA	1,233	GB	57
								923	1230			2.52	1541	180TC	STF-300-20-C-A	GSF2030CA	1,233	GB	62
							1230	1845		3.89	2363	180TC	STF-350-20-C-A	GSF2035CA	1,691	GB	90		

**NOTE:**   Service Class I Torque Ratings (1.0 Service Factor) See notes on inside back flap and pages 5-6.  
  Service Class II Torque Ratings (≥ 1.4 Service Factor)  
  Service Class III Torque Ratings (≥ 2.0 Service Factor)

Vertical motor below gearhead not recommended.  
 Avoiding those positions where the high speed oil seal is immersed in oil, will provide greater security against high speed input seal wear.

Gearmotors and Gear Products

Motor Accessories

Grinders

Generators

Servo Motors and Controls

Mod Express

Baldor Education Workshops

Warranties and Sales Policies

Cross Reference and Index

Baldor Sales Offices

### Universal Series – Right Angle – Quill Type – Solid Shaft continued...

Nominal Output RPM @ 1750 RPM In	Gear Ratio	Continuous Duty Output Torque (In-Lbs) Based on 1750 RPM Motor										Max Input Hp	Max Output Torque Rating In-Lbs	NEMA Motor Mount	Style Number	Catalog Number	List Price	Mult. Sym.	Ap'x Shpg. Wgt.
		0.18	0.25	0.33	0.5	0.75	1	1.5	2	3	5								
70	25:1	123	186									0.29	218	56C	STF-133-25-A-A	GSF2513AA	571	GB	21
			186	247	371							0.55	406	56C	STF-175-25-A-A	GSF2518AA	625	GB	23
				247	371	557						0.81	601	56C	STF-200-25-A-A	GSF2520AA	746	GB	29
					375	563	751					1.09	814	56C	STF-225-25-A-A	GSF2523AA	846	GB	33
							744	1114	1489			2.08	1539	140TC	STF-300-25-B-A	GSF2530BA	1,233	GB	56
58	30:1	145	218								0.24	214	56C	STF-133-30-A-A	GSF3013AA	571	GB	21	
			218	289							0.47	406	56C	STF-175-30-A-A	GSF3018AA	625	GB	22	
				289	435	652					0.77	665	56C	STF-200-30-A-A	GSF3020AA	746	GB	30	
					435	652					0.98	847	56C	STF-225-30-A-A	GSF3023AA	846	GB	33	
						435	652	869			1.35	1166	56C	STF-258-30-A-A	GSF3026AA	1,079	GB	50	
							869	1304			1.74	1501	140TC	STF-300-30-B-A	GSF3030BA	1,233	GB	57	
44	40:1										2.82	2443	140TC	STF-350-30-B-A	GSF3035BA	1,691	GB	82	
		181									0.19	206	56C	STF-133-40-A-A	GSF4013AA	571	GB	21	
		180	272	362							0.36	389	56C	STF-175-40-A-A	GSF4018AA	625	GB	11	
			272	362	543						0.52	568	56C	STF-200-40-A-A	GSF4020AA	746	GB	30	
				364	547						0.71	772	56C	STF-225-40-A-A	GSF4023AA	846	GB	33	
					545	817	1090				1.01	1095	56C	STF-258-40-A-A	GSF4026AA	1,079	GB	51	
					542	815	1087				1.36	1470	56C	STF-300-40-A-A	GSF4030AA	1,233	GB	57	
35	50:1										1.36	1470	140TC	STF-300-40-B-A	GSF4030BA	1,233	GB	57	
							1087	1630	2173		2.24	2405	140TC	STF-350-40-B-A	GSF4035BA	1,691	GB	83	
		210									0.15	191	56C	STF-133-50-A-A	GSF5013AA	571	GB	21	
		210	316								0.28	360	56C	STF-175-50-A-A	GSF5018AA	625	GB	23	
		211	317	423							0.42	536	56C	STF-200-50-A-A	GSF5020AA	746	GB	30	
			317	422							0.55	693	56C	STF-225-50-A-A	GSF5023AA	846	GB	33	
				422	634	951					0.79	995	56C	STF-258-50-A-A	GSF5026AA	1,079	GB	51	
					634	952	1270				1.07	1350	140TC	STF-300-50-B-A	GSF5030BA	1,233	GB	57	
29	60:1										1.75	2196	140TC	STF-350-50-B-A	GSF5035BA	1,691	GB	86	
		235									0.24	343	56C	STF-175-60-A-A	GSF6018AA	625	GB	23	
		234	353	470							0.36	505	56C	STF-200-60-A-A	GSF6020AA	746	GB	29	
			346	461	692						0.51	702	56C	STF-225-60-A-A	GSF6023AA	846	GB	33	
				470	706						0.69	976	56C	STF-258-60-A-A	GSF6026AA	1,079	GB	51	
					706	1059					0.84	1179	56C	STF-300-60-A-A	GSF6030AA	1,233	GB	56	
				1059	1413	2119			1.50	2128	140TC	STF-350-60-B-A	GSF6035BA	1,691	GB	83			

**NOTE:**   Service Class I Torque Ratings (1.0 Service Factor)  
  Service Class II Torque Ratings (≥ 1.4 Service Factor)  
  Service Class III Torque Ratings (≥ 2.0 Service Factor)

Optional Shaft Positions, Bases Installation and Motor Mounting available through Mod Express.  
Refer to Baldor District Office for Price and Delivery.  
See notes on inside back flap and pages 5-6.

Vertical motor below gearhead not recommended.  
Avoiding those positions where the high speed oil seal is immersed in oil, will provide greater security against high speed input seal wear.

Gearmotors and Gear Products

Motor Accessories

Grinders

Generators

Servo Motors and Controls

Mod Express

Baldor Education Workshops

Warranties and Sales Policies

Cross Reference and Index

Baldor Sales Offices

### Inline Helical

### 4 Sizes

### 56C thru 250TC



**Applications:** Ideal for conveyors, material handling, textile machines, packaging machinery, etc. (slow speed and high torque).

**Features:** Baldor's new ILH (in-line helical) gearboxes have higher torque ratings in a compact design. Clamp collar 56C – 250TC offers compact C-face solution. Heavy-duty cast iron housings, hardened and ground AGMA class 11 gears for greater impact resistance and longer service life. Pre-fill for horizontal mounting to insure proper oil grade and fill level.

Nominal RPMs	Continuous Duty Output Torque (in-lbs.) Based on 1750 RPM Motors											Max Input Hp	Max Output Torque Rating In-Lbs.	NEMA	Style Number	Catalog Number	List Price	Mult. Sym.	Ap'x. Shpg. Wgt.	
	0.33	0.50	0.75	1	1.5	2	3	5	7.5	10	15									20
180				349	524	698							2.02	705	56C	HB382CN56C-9	GIF0938A	906	GB	29
					524	699	1048						4.86	1698	140TC	HB382CN140TC-9	GIF0938B	906	GB	31
					524	699	1048						4.86	1698	180TC	HB382CN180TC-9	GIF0938C	992	GB	32
							1055	1758	2637				8.79	3090	180TC	HB482CN180TC-9	GIF0948C	1,433	GB	55
										3504	5256	7007	20.17	7067	210TC	HB682CN210TC-9	GIF0968D	2,245	GB	101
124				510	766	1021							2.02	1031	56C	HB382CN56C-14	GIF1438A	906	GB	29
					766	1021	1532						3.77	1925	140TC	HB382CN56C-14	GIF1438B	906	GB	31
						1057	1586	2644					6.68	3532	180TC	HB482CN180TC-14	GIF1448C	1,433	GB	55
								2447	3670	4894			10.36	5070	180TC	HB682CN180TC-14	GIF1468C	2,245	GB	93
									2447	3670	4894		14.47	7081	210TC	HB682CN210TC-14	GIF1468D	2,245	GB	101
102													27.6	14540	250TC	HB882CN250TC-14	GIF1488E	3,461	GB	229
				468	623	935							1.84	1147	56C	HB382CN56C-18	GIF1838A	906	GB	29
					936	1248	1872						3.12	1947	140TC	HB382CN140TC-18	GIF1838B	906	GB	31
						1264	1896						4.86	3071	140TC	HB482CN140TC-18	GIF1848B	1,257	GB	54
						1264	1896	3162					5.91	3738	180TC	HB482CN180TC-18	GIF1848C	1,433	GB	85
								1776	2961	4441			9.95	5892	180TC	HB682CN180TC-18	GIF1868C	2,245	GB	93
70													11.95	7081	210TC	HB882CN210TC-18	GIF1868D	2,245	GB	101
													23.91	14870	250TC	HB882CN250TC-18	GIF1888E	3,461	GB	229
				440	660	880							1.41	1241	56C	HB382CN56C-25	GIF2538A	906	GB	29
					881	1321	1762						2.21	1947	140TC	HB382CN140TC-25	GIF2538B	906	GB	31
						1435	1913	2869					3.92	3749	140TC	HB482CN140TC-25	GIF2548B	1,257	GB	54
							1910	2865					4.17	3983	180TC	HB482CN180TC-25	GIF2548C	1,433	GB	55
44													7.70	7081	180TC	HB682CN180TC-25	GIF2568C	2,245	GB	93
													16.51	14870	210TC	HB882CN210TC-25	GIF2588D	3,261	GB	178
													16.51	14870	250TC	HB882CN250TC-25	GIF2588E	3,461	GB	229
				465	705	1057							0.95	1339	56C	HB382CN56C-40	GIF4038A	906	GB	29
					746	1118	1491						1.12	1670	56C	HB482CN56C-40	GIF4048A	1,257	GB	52
33													2.68	3983	140TC	HB482CN140TC-40	GIF4048B	1,257	GB	54
													5.21	7081	180TC	HB682CN180TC-40	GIF4068C	2,245	GB	93
													11.08	14870	210TC	HB882CN210TC-40	GIF4088D	3,261	GB	178
				691	1047	1570							0.93	1947	56C	HB383CN56C-56	GIF5638A	1,094	GB	29
				1509	2012	3017						1.98	3983	56C	HB483CN56C-56	GIF5648A	1,379	GB	52	
												3.04	5272	140TC	HB682CN140TC-50	GIF5068B	2,071	GB	92	
												5.58	10198	180TC	HB882CN180TC-50	GIF5088C	3,261	GB	178	

**NOTE:**   Service Class I Torque Ratings (1.0 Service Factor)  
  Service Class II Torque Ratings (≥ 1.4 Service Factor)  
  Service Class III Torque Ratings (≥ 2.0 Service Factor)

Gearmotors and Gear Products

Motor Accessories

Grinders

Generators

Servo Motors and Controls

Mod Express

Baldor Education Workshops

Warranties and Sales Policies

Cross Reference and Index

Baldor Sales Offices



### Ratio Multiplier – Inline – Quill Type Solid Shaft

**2 Sizes**

**56C thru 140TC**

**Applications:** Reducer or Increaser. Combine with Right Angle units for high ratios. May also be used as a stand alone with optional base kits.

**Features:** High efficiency. Cast iron construction, universal mounting positions, and optional base mounting. Internal compression chamber eliminates breather vent. Lubricated for life with Klubersynth GH6-150.



Size	Output RPM @ 1750 RPM in.	Gear Ratio	Input Style	Output Style	Catalog Number	List Price	Mult. Sym.	Ap'x. Shpg. Wgt.	Type
1	875	2:1	56C	56C	GCF2X01AA	416	GB	19	FX1-2-B5-56C
	583	3:1	56C	56C	GCF3X01AA	416	GB	19	FX1-3-B5-56C
	438	4:1	56C	56C	GCF4X01AA	416	GB	19	FX1-4-B5-56C
	350	5:1	56C	56C	GCF5X01AA	416	GB	19	FX1-5-B5-56C
2	875	2:1	140TC	140TC	GCF2X02BB	502	GB	22	FX2-2-B7-140TC
	583	3:1	140TC	140TC	GCF3X02BB	502	GB	22	FX2-3-B7-140TC
	438	4:1	140TC	140TC	GCF4X02BB	502	GB	22	FX2-4-B7-140TC
	350	5:1	56C	140TC	GCF5X02AB	502	GB	22	FX2-5-B5-140TC
	350	5:1	140TC	140TC	GCF5X02BB	502	GB	22	FX2-5-B7-140TC

### Ratings at 1750 RPM Input

Size	Ratio	Output RPM	Input Hp	Output Hp	Output Torque	Output Shaft OHL
1	2:1	875	2.06	1.96	141	173
	3:1	583	1.70	1.62	175	203
	4:1	438	1.50	1.42	205	224
	5:1	350	1.13	1.08	194	247
2	2:1	875	12.42	12.17	877	445
	3:1	583	8.68	8.42	911	445
	4:1	438	6.34	6.15	885	445
	5:1	350	5.40	5.17	931	360



### Optional Base Kit

Size	Catalog Number	List Price	Mult. Sym.	Ap'x. Shpg. Wgt.
1	BRMX01	55	A8	6
2	BRMX02	97	A8	6

BRMX01 with Style SX1 Ratio Multiplier



Ratio Multiplier with F900 Series Reducer

### 900 Series – Right Angle Base Kits



**Horizontal Base**



**J Base**



**Vertical Base**



**Washdown Base**

### Universal Series – Right Angle Base Kits



Base Description	Size (Position)	Catalog Number	List Price	Mult. Sym.	Ap'x. Shpg. Wgt.
HORIZ.	913 (A,B)	<b>B13H71</b>	55	A8	3
VERT. low	913 (D,F)	<b>B13V81</b>	97	A8	2
VERT. high	913 (C,E)	<b>B13V91</b>	98	A8	3
VERT. J	913 (X,Y)	<b>B13J92</b>	95	A8	3
HORIZ.	915 (A,B)	<b>B15H71</b>	39	A8	4
VERT. low	915(D,F)	<b>B18V81</b>	100	A8	3
VERT. high	915 (C,E)	<b>B18V91</b>	101	A8	3
VERT. J	915 (X,Y)	<b>B18J92</b>	98	A8	66
HORIZ.	918 (A,B)	<b>B18H71</b>	66	A8	6
VERT. low	918 (D,F)	<b>B18V81</b>	100	A8	3
VERT. high	918 (C,E)	<b>B18V91</b>	101	A8	3
VERT. J	918 (X,Y)	<b>B18J92</b>	98	A8	6
HORIZ.	921G (A,B)	<b>B21GH71</b>	69	A8	5
HORIZ.	921 (A,B)	<b>B21H71</b>	72	A8	6
VERT. low	921 (D,F)	<b>B21V81</b>	109	A8	4
VERT. high	921 (C,E)	<b>B21V91</b>	112	A8	6
VERT. J	921 (X,Y)	<b>B21J92</b>	109	A8	7
HORIZ.	924 (A,B)	<b>B24H71</b>	86	A8	8
VERT. low	924 (D,F)	<b>B24V81</b>	123	A8	4
VERT. high	924 (C,E)	<b>B24V91</b>	132	A8	6
VERT. J	924 (X,Y)	<b>B24J92</b>	123	A8	9
HORIZ.	926 (A,B)	<b>B26H71</b>	97	A8	9
VERT. low	926 (D,F)	<b>B26V81</b>	165	A8	6
VERT. high	926 (C,E)	<b>B26V91</b>	168	A8	9
VERT. J	926 (X,Y)	<b>B26J92</b>	165	A8	10
HORIZ.	930 (A,B)	<b>B30H71</b>	110	A8	4
VERT. low	930 (D,F)	<b>B30V81</b>	165	A8	8
VERT. high	930 (C,E)	<b>B30V91</b>	168	A8	16
HORIZ.	932 (A,B)	<b>B32H71</b>	131	A8	13
VERT. low	932 (D,F)	<b>B32V81</b>	194	A8	10
VERT. high	932 (C,E)	<b>B32V91</b>	199	A8	13
HORIZ.	938 (A,B)	<b>B38H71</b>	157	A8	15
VERT. low	938(D,F)	<b>B38V81</b>	234	A8	38
VERT. high	938(C,E)	<b>B38V91</b>	245	A8	36
<b>Optional Washdown Base Kits</b>					
HORIZ.	913 (A,B)	<b>WDB13H71</b>	72	A8	3
HORIZ.	915 (A,B)	<b>WDB15H71</b>	72	A8	4
HORIZ.	918 (A,B)	<b>WDB18H71</b>	89	A8	6
HORIZ.	921 (A,B)	<b>WDB21H71</b>	94	A8	6
HORIZ.	924 (A,B)	<b>WDB24H71</b>	102	A8	8
HORIZ.	926 (A,B)	<b>WDB26H71</b>	115	A8	9
HORIZ.	930 (A,B)	<b>WDB30H71</b>	128	A8	6
HORIZ.	932 (A,B)	<b>WDB32H71</b>	150	A8	13
<b>Optional Stainless Steel Base Kits</b>					
HORIZ.	918 (A,B)	<b>SSB18H71</b>	329	A8	8
HORIZ.	921 (A,B)	<b>SSB21H71</b>	342	A8	10
HORIZ.	926 (A,B)	<b>SSB26H71</b>	378	A8	13

Kit includes angle bases and hardware. Converts style STF to SVF.

Size	NEMA Flange	Catalog Number	List Price	Mult. Sym.	Ap'x. Shpg. Wgt.
133-175	56C/140TC	<b>B1317V81</b>	98	A8	2
200-225	56C/140TC	<b>B2022V81</b>	102	A8	3
258-300	56C/140TC	<b>B2530V81</b>	158	A8	4
258-300	180TC	<b>B2530V91</b>	160	A8	6
350	56C/140TC 180TC/210TC	<b>B3500V81</b>	184	A8	5

### NEMA C-Face Flange Kits (coupling type)

Flange adapts NEMA C face motors to 900 Series type S reducers. Includes flange, flexible coupling and mounting hardware.



Size	NEMA Flange	Catalog Number	List Price	Mult. Sym.	Ap'x. Shpg. Wgt
913	56C	SFL913B5	151	A8	8
915	56C	SFL918B5	151	A8	9
	140TC	SFL918B7	151	A8	8
918	56C	SFL918B5	151	A8	9
	140TC	SFL918B7	151	A8	8
921	56C	SFL921B5	169	A8	11
	140TC	SFL921B7	169	A8	11
924	56C	SFL924B5	169	A8	11
	140TC	SFL924B7	169	A8	11
926	56C	SFL926B5	217	A8	14
	140TC	SFL926B7	217	A8	15

### Riser Block Kits

Riser Blocks permit the gearbox to be mounted in the most desirable position (high speed input shaft above the oil level). They mount on top of the gearbox to provide clearance between the motor and the mounting surface. Kit includes the Riser Block and attachment bolts.



Size	NEMA Flange	Catalog Number	List Price	Mult. Sym.	Ap'x. Shpg. Wgt
913	56C	RBK13B5	57	A8	5
915	56C/140TC	RBK15B5	72	A8	5
918	56C/140TC	RBK18B5	89	A8	5
921	56C/140TC	RBK21B5	115	A8	5
924	56C/140TC	RBK24B5	121	A8	5
	180TC	RBK24B9	230	A8	10
926	56C/140TC	RBK26B5	128	A8	8
	180TC	RBK26B9	279	A8	11
930	56C/140TC	RBK30B5	145	A8	15
	180TC	RBK30B9	310	A8	15
932	56C/140TC	RBK32B5	194	A8	8
	180TC	RBK32B9	384	A8	15

### Torque Arm Kits

Kit includes turnbuckle and both mounting brackets. Secures hollow shaft reducer to application.



Size	Catalog Number	List Price	Mult. Sym.	Ap'x. Shpg. Wgt.
913	TA13HK	141	A8	2
918	TA18HK	156	A8	2
921	TA21HK	174	A8	2
924	TA24HK	175	A8	2
926	TA26HK	178	A8	2
930	TA30HK	182	A8	2
932	TA32HK	186	A8	2
938	TA38HK	194	A8	2

### Output Flange Kits



Size	Catalog Number	List Price	Mult. Sym.	Ap'x. Shpg. Wgt.
913	FL13HK	91	A8	6
915	FL15HK	98	A8	6
918	FL18HK	102	A8	6
921	FL21HK	114	A8	3
924	FL24HK	163	A8	4
926	FL26HK	175	A8	6
930	FL30HK	182	A8	6
932	FL32HK	189	A8	12
938	FL38HK	195	A8	12

### Bushing Kits for Hollow Shaft Reducers

Size	Shaft Diameter	Catalog Number	List Price	Mult. Sym.	Size	Shaft Diameter	Catalog Number	List Price	Mult. Sym.
918	3/4	BU100H012	115	A8	924/926	1-1/4	BU107H104	141	A8
	7/8	BU100H014	115	A8		1-5/16	BU107H105	141	A8
	15/16	BU100H015	131	A8	930/932	1.00	BU115H100	194	A8
924/926	15/16	BU107H015	141	A8		1-7/16	BU115H107	194	A8
	1	BU107H100	141	A8		1-1/2	BU115H108	194	A8
	1-1/8	BU107H102	141	A8		1-5/8	BU115H110	194	A8
	1-3/16	BU107H103	141	A8		1-11/16	BU115H111	194	A8
						1-3/4	BU115H112	194	A8

### Double Reduction Adapter Kit



900 series double reduction units may be assembled from stock single reduction units using the adapter kits.

Catalog Number	Primary Unit <sup>(a)</sup>	Secondary Unit <sup>(b)</sup>	List Price	Mult. Sym.
DR913X913B5	913	913-B5	151	A8
DR913X918B5	913	918-B5	158	A8
DR913X921B5	913	921-B5	168	A8
DR913X924B5	913	924-B5	168	A8
DR913X926B5	913	926-B5	182	A8
DR918X924B7	918	924-B7	182	A8
DR918X926B7	918	930-B7/926-B7	189	A8
DR918X932B7	918	932-B7	189	A8
DR924X938B9	924	938-B9	189	A8

**NOTE:** Each adapter kit consists of: 1 Adapter; 1 Seal (Installed); 1 Shim Set; 4 Screws; 1 Bearing Cup (Installed); 4 Lock Washers; and 1 Sealant Package.

<sup>(a)</sup> Any style except shaft mount

<sup>(b)</sup> F and HF styles only

### Bushing Kit



Reduces bore size of Quill type input shafts from 7/8 to 5/8. Sintered metal bushing with integral internal and external keys.

Catalog Number	List Price	Mult. Sym.
133-6FBA	57	A8

### NEMA AC Motor C-Face Kits for Field Conversion

**Features:** Complete kits with all hardware necessary for converting Baldor 56 through 445T frame rigid base motors to "C-Face" mounting with base. For a Baldor conversion, refer to the Mod Express Section in this catalog. Please furnish the motor specification number when ordering.



**For use with Legacy Baldor Motor Designs**

Catalog Number	Description Type/Frame	Bearing	Enclosure	List Price	Mult. Sym.	Ap'x. Shpg. Wgt.	
34-3900T	34/48C	6203	TEFC	49	A8	1	
34-171	34/56C	6203	TEFC	49	A8	2	
34-3903A	34/143-5TC	6205	ODP	60	A8	2	
34-3903T	34/143-5TC	6205	TEFC	63	A8	2	
35-8762	35/56C,143-5TC	6205	TEFC	58	A8	3	
35-8764	35/56C,143-5TC	6205	ODP	58	A8	3	
35-1300	35/56C,143-5TC	6205	TEFC	99	A8	6	
35-1325	35/182-4TC	6206	TEFC	128	A8	11	
35-1409	35/182-4TC	6206	ODP	143	A8	11	
36-1037	36/182-4C	6206	TEFC	113	A8	7	
36-1206A	36/213-5TC	6207	OPSB	146	A8	13	
36-1206B	36/213-5TC	6207	ODP	154	A8	14	
36-486	36/182-4C	6206	ODP	161	A8	8	
36-3301	36/182-4TC	6206	TEFC	82	A8	5	
36-3403	36/182-4TC	6206	ODP	96	A8	5	
36-1749	36/182-4TC	6206	TEFC	144	A8	12	
37-1404	37/213-5C, TC	6307	ODP	192	A8	14	
37-1304	37/213-5C, TC	6307	TEFC	159	A8	12	
37-1402	37/254-6UC, TC	6309	ODP	228	A8	18	
37-1302	37/254-6UC, TC	6309	TEFC	243	A8	18	
09-1309	09/254-6UC, TC	●	6309	TEFC	328	A8	22
09-1310	09/284-6UC, TC	●	6311	TEFC	496	A8	22
39-3400	39/254-6UC, TC		6309	ODP	213	A8	19
39-1403	39/284-6UC, TC		6311	ODP	342	A8	21
10-1304	10/324-6UC, TC	●	6312	TEFC	365	A8	32
10-1305	10/284-6UC, TC	●	6311	TEFC	381	A8	32
40-1400	40/284-6UC, TC		6311	ODP	347	A8	30
40-1401	40/324-6 UC, TC	●	6312	ODP	356	A8	40
12-1105	12/324-6UC, TC		6312	TEFC	469	A8	48
42-1300	42/324-6UC, TC	●	6312	ODP	625	A8	36
42-1400	42/364-5 UC & TC	●	6313	ODP	608	A8	30
14-1303	14/404-5TC		6316	TEFC	831	A8	50
14-1704	14/364-5UC, TC	●	6313	TEFC	608	A8	57
14-1401	14/364-5UC, TC	●	6313	ODP	670	A8	60
16-1704	16/404-5UC, TC	●	6316	TEFC	831	A8	76
16-1400	16/404-5UC, TC	●	6316	ODP	905	A8	78
18-1203	18/444-7UC, TSC	●●	6313	ODP	1,079	A8	118
18-1202	18/444-7UC, TC		6319	ODP	1,134	A8	128
18-1302	18/444-9UC, TC		6319	TEFC	1,087	A8	139
18-1304	18/444-5, TS-444-STSC		6313	TEFC	1,196	A8	163
44-1402	44/404-5 UC & TC		6316	ODP	704	A8	40
44-1403	44/404-5 UC & TSC		6313	ODP	704	A8	40
44-1403A	44/404 USC, TSC		6312	OPEN	704	A8	40

**NOTE:** NEMA "BA" Dimension will be non-standard after conversion on NEMA 143-5T, 182-4T, 213-5T and 254-6T.

**SHADED RATINGS ARE CAST IRON FRAMES**

**Specification number of motor should be verified when ordering.**

- = Suitable only for field conversion of motors manufactured with external rabbets on the stator housings.
- = Contact a District Office with nameplate specification number to determine correct kit.

Gearmotors and Gear Products

Motor Accessories

Grinders

Generators

Servo Motors and Controls

Mod Express

Baldor Education Workshops

Warranties and Sales Policies

Cross Reference and Index

Baldor Sales Offices

### C-Face Kits

The following list of available motor kits may be purchased as a kit only and shipped as a separate item from stock, or the kit can be mounted on an suitable motor and shipped from the modification center.

### 56 - 140 Frames

For use with Legacy Reliance Motor Designs

Frame	Enclosure	Catalog Number	Notes	Ap'x. Shpg. Wgt. Lbs.	List Price	Mult. Sym.
56	Basic (TEFC, TENV)	K56H3055	81	1	58	A8

**NOTE:** Basic (TEFC, TENV) motors that have aluminum end shields. This kit will not mount on XT/EMT/XEX and other enhanced enclosure product that have Cast Iron end shields. See notes on inside back flap and pages 5-6.

### 180T - 400T Frames

For use with Legacy Reliance Motor Designs

Frame	Enclosure	Catalog Number	Notes	Ap'x. Shpg. Wgt. Lbs.	List Price	Mult. Sym.
180T	TEFC, TEFC-XT, TEFC-XEX, ODP	K18G3	84	13	154	A8
180	TEFC U-FRAME	K18G5	84	15	161	A8
210T, U	TEFC, TEFC-XT, TEFC-XEX, ODP	K21G3	84	16	192	A8
250T, U	TEFC, TEFC-XT, TEFC-XEX, ODP	K25G2	84	26	328	A8
280T, U	TEFC, TEFC-XT, TEFC-XEX, ODP	K28G2		38	381	A8
320T, U	TEFC, TEFC-XT, TEFC-XEX	K32G2		45	469	A8
360T, U	TEFC, TEFC-XT, TEFC-XEX	K36G2		69	608	A8
400T, U	TEFC, TEFC-XT, TEFC-XEX	K40G2	85	113	905	A8

**NOTE:** See notes on inside back flap and pages 5-6.



### NEMA DC Motor C-Face Kit for Field Conversion

**Features:** For DC motors with catalog number ending in "P".  
These complete kits are for motors on pages 279-281.



**For use with Legacy Baldor Motor Designs**

Catalog Number	Frame	Bearing	Enclosure	List Price	Mult. Sym.	Ap'x Shpg. Wgt.
180-5002	180ATC	6206	Drip-Proof	752	A8	18
210-5001	210ATC	6207	Drip Proof or Totally Enclosed	902	A8	12
250-5001	250ATC	6209	Drip Proof of Totally Enclosed	1,391	A8	75
280-5002	280ATC	6210	Drip Proof	1,843	A8	57
320-5002	320ATC	6211	Drip Proof	2,569	A8	87
360-5001	360ATC	6213	Drip Proof or Totally Enclosed	3,942	A8	121
400-5001	400ATC	6214	Drip Proof or Totally Enclosed	4,774	A8	173

### Double C-Face Motor Brake Kits

**Coil Voltage: 115/208-230**

**Features:** Double C-Face coupler brakes. Mounts on motors with C-Face, provides NEMA C-face mounting on brake. Spring set, electrically released.



Brake Rating	Brake Mounting	Catalog Number	List Price	Mult. Sym.	Ap'x. Shpg. Wgt.
3 ft-lb	56C	CBK003-1	558	A8	12
6 ft-lb	56C	CBK006-1	822	A8	12
6 ft-lb	145TC	CBK006-2	822	A8	12
10 ft-lb	145TC	CBK010-1	959	A8	12
15 ft-lb	145TC	CBK015-1	2,050	A8	12

**NOTE:** See notes on inside back flap and pages 5-6.

### D-Flange Kits



Complete kits with hardware necessary for converting legacy Baldor 145T-445T frame rigid base motors to “D-Flange” mounting with base. Please furnish the motor specification number when ordering.

**For use with Legacy Baldor Motor Designs**

NEMA Frame	Enclosure	Catalog Number	List Price	Mult. Sym.	Ap'x. Shpg. Weight Lbs.
143-145T	TEFC	35EP1506A01SP	178	A8	8
143-145T	OPEN	35EP1604A01SP	174	A8	8
182-184T	OPEN	36EP1405A09SP	193	A8	8
182-184TD	TEFC	36EP1304A62SP	196	A8	15
286-286 U,T	TEFC	10EP1502A01SP	484	A8	39
324-326 U,T	TEFC	12EP1501A03SP	836	A8	50
364-365 U,T	OPEN	14EP1601A01SP	589	A8	61
364-365 U,T	TEFC	14EP1705A01SP	1,019	A8	73
404-405 U,T	OPEN	16EP1601A01SP	1,243	A8	67
404-405 U,T	TEFC	16EP1501A01SP	1,309	A8	75
444-445 U,T	OPEN	18EP1600A01SP	1,805	A8	97
444-445 U,T	TEFC	18EP1500A01SP	1,593	A8	168
447-449	TEFC	18EP1506A01SP	1,648	A8	155

### D-Flange Kits

**For use with Legacy Reliance Motor Designs**

Frame	Enclosure	Catalog Number	Notes	Ap'x. Shpg. Wgt. Lbs.	List Price	Mult. Sym.
180, 180T	TEFC, TEFC-XT, TEFC-XEX	K18G6	47	18	470	A8
210, 210T	TEFC, TEFC-XT, TEFC-XEX	K21G6	47	128	576	A8

**NOTE:** See notes on inside back flap and pages 5-6.

### Drip Covers for Field Conversion



### Standard ODP Motors to Vertical Mount

**Features:** Complete kits with all hardware, attaches to endplate with no drilling. Designed to protect open steel band motors from rain, snow and ice when mounted outdoors in a vertical position. Made from heavy steel. Primed and painted inside and out. For a Baldor conversion, refer to the Mod Express Section in this catalog.

**For use with Legacy Baldor Motor Designs**

Catalog Number	Description	List Price	Mult. Sym.	Ap'x. Shpg. Wgt.
FCD34	34/48-56	78	A8	1
FCD35	35/56-145	109	A8	1
FCD36	36/182-184	95	A8	2
FCD37	37/213-256	115	A8	3
FCD39	39/254-256	154	A8	3
FCD40	40/284-286	165	A8	12
FCD42	42/324-326	177	A8	5

**NOTE:** Refer to Abbreviations on the inside back flap for definitions of Kit Catalog No. and Description.

### Fan Cover/Conduit Boxes for Field Conversion



### Standard TEFC Cast Iron Motors

**Applications:** For all Cast Iron construction.

**Features:** Complete kits consists of cast iron fan covers and cast iron conduit boxes when necessary. The kits also include all necessary mounting hardware. These kits replace the standard steel fan cover and aluminum conduit box when used. For a Baldor conversion, refer to the Mod Express Section in this catalog.

**For use with Legacy Baldor Motor Designs**

Catalog Number	Description	List Price	Mult. Sym.	Ap'x. Shpg. Wgt.
FFC05	05/143-5T	154	A8	6
FFC06	06/182-4T	165	A8	10
FFC07WB	07/213-5T	245	A8	19
FFC09WB	09/254-6U & T	337	A8	28

**NOTE:** Refer to Abbreviations on the inside back flap for definitions of Kit Catalog No. and Description. Catalog numbers ending in WB include a cast iron conduit box and lid. NOT FOR USE ON EXPLOSION PROOF MOTORS.

**SHADED RATINGS ARE CAST IRON FRAMES**

### Ball Bearing to Roller Bearing Conversion



### TEFC Motors 449T thru 5011L

**Applications:** To accommodate heavy belted loads.

**Features:** Complete kit consists of roller bearings, retainer, spacers and proper grease. For Baldor conversion, refer to the Mod Express section in this catalog.

**For use with Super-E® Liberator Motors**

NEMA Frame	Motor Poles	Motor Enclosure	Catalog Number	List Price	Mult. Sym.	Ap'x. Shpg. Wgt.
G5008L-G5012L	4	TEFC	RBT322-G30	2,218	A8	34

Gearmotors and Gear Products

Motor Accessories

Grinders

Generators

Servo Motors and Controls

Mod Express

Baldor Education Workshops

Warranties and Sales Policies

Cross Reference and Index

Baldor Sales Offices

### Gear Motor Accessories Conduit Box Kit



Baldor 24 Frame stock gearmotors are designed to accommodate this optional conduit/capacitor box.

Motor Types	Kit Description	Catalog Number	List Price	Mult. Sym.	Ap'x. Shpg. Wgt.
2412, 2416, 2420, 2424	Combination Conduit/Capacitor Mounting Box Kit	BKP2400	49	A8	1

### PSM Mounting Adapters



**B92** is formed steel mounting base that bolts to machined surface on bottom of PSM gear box casting. Provides secure foot mounting of gear motor and drop-in interchangeability with other major manufacturers.

**B93** is a three point face mounting adapter. Provides interchangeability with other manufacturers.

Catalog Number	Description	List Price	Mult. Sym.	Ap'x. Shpg. Wgt.
B92	Foot Mount	40	A8	1
B93	3 Point Face Mount	51	A8	1

### "L" Type Mounting Brackets



**Applications:** Mounting bracket for PSSH and PSL gear motors. Securely mounts to gear face in 90 degree locations for floor, wall or ceiling mount. Catalog LB74 is not recommended for PSL/PSLH units weighing over 20 lbs. For units weighing more than 20 lbs. use LB75.

Catalog Number	List Price	Mult. Sym.	Ap'x. Shpg. Wgt.
LB73	40	A8	2
LB73GR	40	A8	2
LB74	57	A8	2
LB75	79	A8	7

**NOTE:** (1) Painted Baldor gray. LB73 & LB73GR for PSSH style gearmotors, LB74 & LB75 for PSL/PSLH style gearmotors.

### H Gearbox Accessories



Baldor offers single and three-phase hollow bore (shaft mount) gearmotors. By adding a base and shaft kit, they can also be used on applications requiring a right-angle shaft extension. The shaft can be used for either right or left hand output applications.

Catalog Number	Description	List Price	Mult. Sym.	Ap'x. Shpg. Wgt.
B19H71	Horiz Base Kit	67	A8	1
SH10HS	Output Shaft Kit	21	A8	2

### Motors and Gearmotors UL, cUL and CSA Approvals



Product Type	CSA LR2262	UL E46145	CUL E46145
AC	Motor Models and Frames 24, 25, 33	Motor Models and Frames 24, 25, 33	
DC	Motor Models and Frames 73, 74: 90V Ratings Only Motor Models and Frames 25, 33: Not Restricted to 90 Volts	Motor Models and Frames 23, 25, 33, 73, 74, 125, 135	Motor Model and Frames 23, 125, 135

**NOTE:** See notes on inside back flap and pages 5-6.

Gearmotors and Gear Products

Motor Accessories

Grinders

Generators

Servo Motors and Controls

Mod Express

Baldor Education Workshops

Warranties and Sales Policies

Cross Reference and Index

Baldor Sales Offices

### Adjustable Motor Bases

These motor bases simplify mounting and belt tension adjustment at installation and during later maintenance checks. These are heavy duty adjustable motor bases manufactured of steel or plate. All bases are detergent washed, painted with dark gray primer and oven baked for corrosion resistance. The nuts and bolts are zinc plated. NEMA 215T and smaller bases feature one adjusting screw. Bases for NEMA 254T frame and larger motors feature two adjusting screws. Motor mounting bolts are included. Bases listed can be used with motor frame numbers given and succeeded by the letters S, T, U, US and TS, or any other letter combinations provided the motors' base meets NEMA standards.

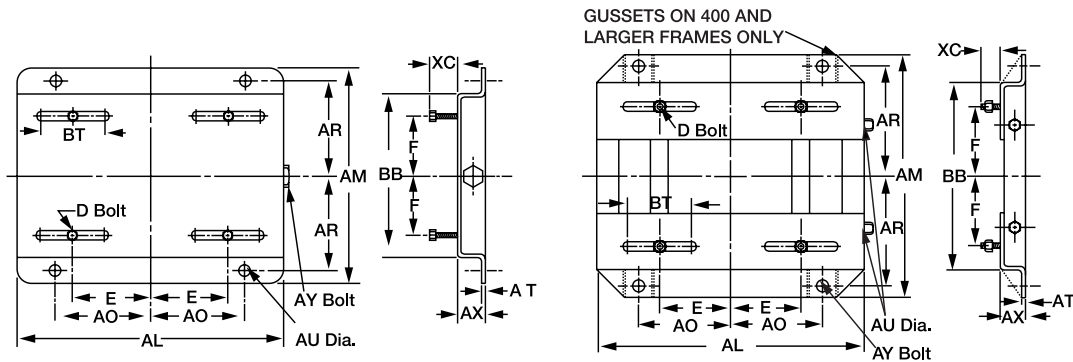


NEMA Frame Motors	Base Catalog Number	List Price	Mult. Sym.	No. of Adjusting Screws	Motor Mounting Bolt Size	Ap'x Shpg. Wgt.
48	<b>B48T</b>	88	A8	1	5/16 x 1	3
56	<b>B56T</b>	88	A8	1	5/16 x 1	5
143T	<b>B143T</b>	113	A8	1	5/16 x 1	6
145T	<b>B145T</b>	113	A8	1	5/16 x 1	7
182T	<b>B182T</b>	120	A8	1	3/8 x 1 1/2	10
184T	<b>B184T</b>	120	A8	1	3/8 x 1 1/2	10
213T	<b>B213T</b>	139	A8	1	3/8 x 1 1/2	14
215T	<b>B215T</b>	139	A8	1	3/8 x 1 1/2	15
254T	<b>B254T</b>	230	A8	2	1/2 x 1 3/4	21
256T	<b>B256T</b>	230	A8	2	1/2 x 1 3/4	21
284T	<b>B284T</b>	261	A8	2	1/2 x 2	24
286T	<b>B286T</b>	261	A8	2	1/2 x 2	26
324T	<b>B324T</b>	404	A8	2	5/8 x 2 1/2	34
326T	<b>B326T</b>	404	A8	2	5/8 x 2 1/2	37
364T	<b>B364T</b>	503	A8	2	5/8 x 2 1/2	48
365T	<b>B365T</b>	503	A8	2	5/8 x 2 1/2	50
404T	<b>B404T</b>	748	A8	2	3/4 x 3	62
405T	<b>B405T</b>	748	A8	2	3/4 x 3	66
444T	<b>B444T</b>	915	A8	2	3/4 x 3	70
445T	<b>B445T</b>	915	A8	2	3/4 x 3	71
447T	<b>B447T</b>	1,078	A8	2	3/4 x 3 1/2	93
449T	<b>B449T</b>	1,078	A8	2	3/4 x 3 1/2	99
5007-11	<b>B5000RLS (1)</b>	1,624	A8	2	7/8 x 3 1/2	149

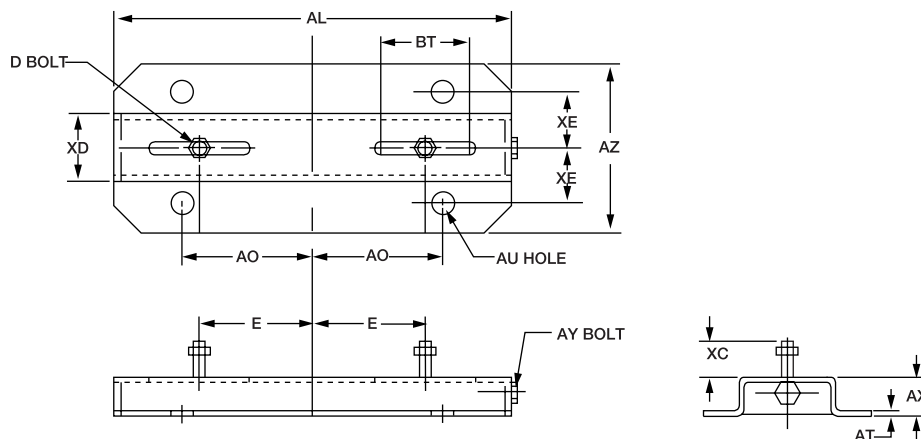
**NOTE:** Bases not suitable for vertical mounting. See base dimensions on next page.

(1) One adjustable motor rail.

### Adjustable Motor Bases Dimension Diagrams



NEMA Frame	Catalog Number	E	F	AL	AM	AO	AR	AT	AU	AX	BB	BT	XC	D Bolt	AY Bolt
48	<b>B48T</b>	2.125	1.375	10.00	6.25	3.50	2.75	0.078	0.375	1.125	4.25	3.00	0.875	5/16 x 1	3/8 x 4
56	<b>B56T</b>	2.437	1.50	10.625	6.50	3.812	2.875				4.50				
143	<b>B143T</b>	2.75	2.00	10.50	7.50	3.75	3.375	0.109	0.375	1.125	5.50	3.00	0.812	5/16 x 1	3/8 x 4
145	<b>B145T</b>		2.50		8.50		3.875				6.50				
182	<b>B182T</b>	3.75	2.25	12.75	9.50	4.50	4.25	0.140	0.50	1.50	6.50	3.00	1.50	3/8 x 1-3/4	1/2 x 5
184	<b>B184T</b>		2.75		10.50		4.75				7.50				
213	<b>B213T</b>	4.25	2.75	15.00	11.00	5.25	4.75	0.156	0.50	1.75	7.50	3.50	1.50	3/8 x 1-3/4	1/2 x 5
215	<b>B215T</b>		3.50		12.50		5.50				9.00				
254	<b>B254T</b>	5.00	4.125	17.75	15.125	6.25	6.625	0.187	0.625	2.00	10.75	4.00	1.437	1/2 x 1-3/4	5/8 x 6
256	<b>B256T</b>		5.00		16.875		7.50				12.50				
284	<b>B284T</b>	5.50	4.75	19.75	16.875	7.00	7.50	0.187	0.625	2.00	12.514	4.50	1.687	1/2 x 2	5/8 x 6
286	<b>B286T</b>		5.50		18.375		8.25								
324	<b>B324T</b>	6.25	5.256	22.75	19.25	8.00	8.50	0.187	0.75	2.50	14.00	5.25	2.187	5/8 x 2-1/2	3/4 x 9
326	<b>B326T</b>		5.256		20.75		9.25				15.50				
364	<b>B364T</b>	7.00	5.625	25.50	20.50	9.00	9.125	0.25	0.75	2.50	15.50	6.00	2.062	5/8 x 2-1/2	3/4 x 9
365	<b>B365T</b>		6.625		21.50		9.625				16.50				
404	<b>B404T</b>	8.00	6.125	28.75	22.375	10.00	9.875	0.25	0.875	3.00	16.50	7.00	2.50	3/4 x 3	3/4 x 11
405	<b>B405T</b>		6.387		23.875		10.625				18.00				
444	<b>B444T</b>	9.00	7.25	31.25	24.625	11.00	11.00	0.25	0.875	3.00	19.25	7.50	2.50	3/4 x 3	3/4 x 11
445	<b>B445T</b>		8.25		26.625		12.00				21.25				
447	<b>B447T</b>	9.00	10.00	31.25	30.125	11.00	13.75	0.312	1.125	3.00	24.75	7.50	3.00	3/4 x 3-1/2	3/4 x 14
449	<b>B449T</b>		12.50		35.125		16.25				29.75				3/4 x 11



NEMA Frame	Catalog Number	E	AL	AO	AL	AU	AX	AZ	BT	XC	XO	XE	D Bolt	AY Bolt
500	<b>B5000RLS</b>	10.00	35.00	12.50	0.312	1.00	3.50	12.00	8.00	3.00	6.00	4.50	7/8 x 3-1/2	7/8 x 16

DIMENSIONS ARE FOR REFERENCE ONLY, CONSULT A BALDOR DISTRICT OFFICE FOR CERTIFIED DIMENSIONS



### Conversion Bases

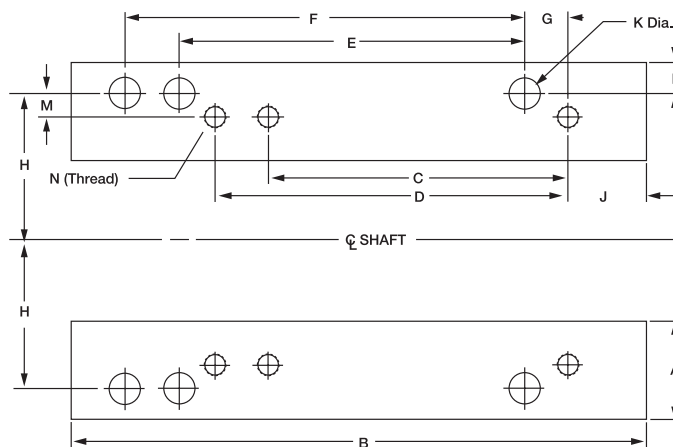


These Conversion Bases are designed to allow NEMA "T" frame motors to be used where corresponding NEMA "U" frame motors have been applied. Consisting of right and left hand pieces that fit to existing mounting studs positioned for "U" frame motors. The "T" frame motor is mounted to the pieces resulting in compensation for the difference in motor height, shaft position and mounting hole between the previous "U" frame motor and the replacement "T" frame motor. Made of the same top quality material as the adjustable motor bases.

Catalog Number	Converts From "U" Frame	Converts To "T" Frame	List Price	Mult. Sym.	Ap'x Shpg. Wgt.	Height Inches	Width Inches	Length Inches	Thread
CB1814T	182/184	143T/145T	95	A8	2	1	2 1/4	7 1/2	5/16-18
CB2118T	213/215	182T/184T	134	A8	2	3/4	1 3/4	9 1/2	3/8-16
CB2521T	254U/256U	213T/215T	154	A8	6	1	2 7/16	12 3/4	3/8-16
CB2825T	284U/286U	254T/256T	209	A8	7	3/4	2 3/4	14 1/4	1/2-13
CB3228T	324U/326U	284T/286T	288	A8	9	1	3 1/4	15 3/4	1/2-13
CB3632T	364U/365U	324T/326T	355	A8	12	1	3 11/16	16 1/2	5/8-11
CB4036T	404U/405U	364T/365T	487	A8	20	1	4 1/4	18 5/8	5/8-11

**NOTE:** Dimensions are for one piece. Two pieces supplied. Design is for horizontal mounting. Motor shimming may be required for direct drive applications.

### Conversion Bases Dimension Diagrams



Catalog Number	Converts From	Converts To	A	B	Height	C	D	E	F	G	H	J	K	L	M	N(Thread)
CB1814T	182-184	143T-145T	2.25	7.50	1.00	4.00	5.00	4.50	5.50	0.50	3.75	1.00	0.437	0.50	1.0	5/16-18
CB2118T	213-215	182T-184T	1.75	8.50	0.75	4.50	5.50	5.50	7.00	1.00	4.25	1.00	0.437	0.437	0.5	3/8-16
CB2521T	254U-256U	213T-215T	2.437	12.75	1.00	5.50	7.00	8.25	10.00	1.125	5.00	1.00	0.562	0.625	0.75	3/8-16
CB2825T	284U-286U	254T-256T	2.75	14.25	0.75	8.25	10.00	9.50	11.00	1.375	5.50	1.25	0.562	0.937	0.5	1/2-13
CB3228T	324U-326U	284T-286T	3.25	15.75	1.00	9.50	11.00	10.50	12.00	1.50	6.25	1.50	0.687	0.937	0.75	1/2-13
CB3632T	364U-365U	324T-326T	3.687	16.50	1.00	10.50	12.00	11.25	12.25	1.75	7.00	1.75	0.687	1.187	0.75	5/8-11
CB4036T	404U-405U	364T-365T	4.25	18.625	1.00	11.25	12.25	12.25	13.75	2.00	8.00	2.00	0.812	1.25	1.0	5/8-11

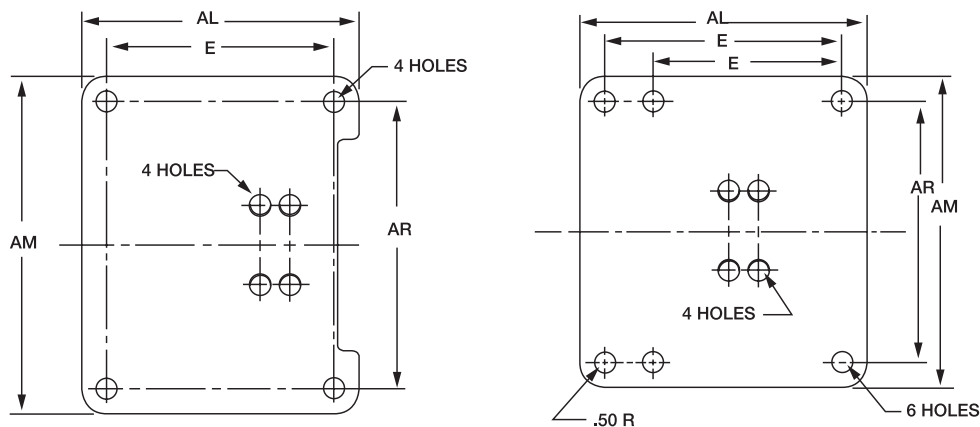
### Metric Frame Weld On Bases

Heavy duty, stamped steel metric bases for welding to steel band motor designs. These give metric base mounting dimensions to NEMA frame motors.



IEC Frame	Catalog Number	Description	List Price	Mult. Sym.	Ap'x Shpg. Wgt.
D71	MB3371	33/42	30	A8	1
D80	MB3480	34/48-56	38	A8	1
D90	MB3590	35/56-145	39	A8	2
D112	MB36112	36/182-184	64	A8	3
D132	MB37132	37/213-256	88	A8	6

### Metric Weld On Bases Dimension Diagrams



IEC Frame	E	AL	AM	AR
D71	3.531	4.25	5.125	4.406
D80	3.937	5.125	6.00	4.921
D90S D90L	3.937 4.921	5.937	6.50	5.50
D112S D112M	4.50 5.50	6.50	8.625	7.50
D132S D132M	5.50 7.00	8.00	9.50	8.50

DIMENSIONS ARE FOR REFERENCE ONLY, CONSULT A BALDOR DISTRICT OFFICE FOR CERTIFIED DIMENSIONS

### Conduit Box Kits



Frame Size	Catalog Number	List Price	Mult. Sym.
<b>Conduit Box Kit – Standard Size</b>			
56 - 140T	K56H3260	145	P1
180T, 182T-4T	K18G7	86	P1
210T, 213T-5	K21G7	86	P1
184T, 215T, 250, 254-6	K25G8	115	P1
254-6T, 280T, 284-6, 324-6	K28G8	115	P1
320T	K32G8	228	P1
360T	K36G8	228	P1
400T	K40G8	250	P1
440T	K44G8	277	P1
<b>Conduit Box Kit – Oversize</b>			
180T	K25G8	115	P1
210T	K25G8	115	P1
250T	K25G8	115	P1
280T	K28G9	223	P1
320T	K36G8	228	P1
360T	K36G9	250	P1
400T	K40G9	277	P1
400T	K44G9	297	P1

NEMA Frame	Catalog Number	List Price	Ap'x Shpg. Wgt. Lbs.	Mult. Sym.
<b>Conduit Box – Standard Size</b>				
42	33CB5000A01SP	30	1	P1
42	33CB5001A01SP	30	1	P1
48	34CB5001A01SP	29	1	P1
56 - 143-5T	35CB5001A01SP	32	1	P1
182T-4T	36CB5001A01SP	34	1	P1
182T-4T	36CB5001A06SP	39	2	P1
182T-4T	36CB5001A07SP	58	2	P1
213T-5T	37CB5002A06SP	39	2	P1
213T-5T	37CB5002A07SP	34	4	P1
184T, 215T, 254-6	09CB5001A01SP	67	3	P1
184T, 215T, 254-6	09CB5001A15SP	53	3	P1
254-6T, 284-6, 324-6	10CB5001A01SP	90	6	P1
254-6T, 284-6, 324-6	10CB5002A01SP	109	4	P1

### For use with Legacy Reliance Motor Designs

Frame Size	Catalog Number	List Price	Mult. Sym.
<b>Auxiliary Conduit Box Kits</b>			
180/210	K18G21	102	P1
250	K25G23	112	P1
280	K28G23	131	P1
320	K32G23	139	P1
360	K36G16	260	P1
400	K40G3	277	P1
440	K44G5	591	P1
<b>Drip Cover/Canopy Kit</b>			
180T	K18G2	152	P1
180T	K18G19	152	P1
210T	K21G2	191	P1
210T	K21G19	191	P1
250T	K25G3	462	P1
280T	K28G3	554	P1
<b>Mill and Chemical Duty Kit Cast Iron Shroud and Conduit Box</b>			
180T	K18G50	277	P1
210T	K21G50	379	P1
210T	K21G18	379	P1
250T	K25G50	517	P1
250T	K25G18	517	P1
280T	K28G50	609	P1
280T	K28G18	609	P1
320T	K32G50	665	P1
320T	K32G18	665	P1
360T	K36G50	1,071	P1
360T	K36G18	1,071	P1
<b>Terminal Block Kit</b>			
56-140T	K56G3233	94	P1
180	K18G0060	213	P1
250	K25G0060	250	P1
280	K28G0060	250	P1
320	K32G0060	342	P1
360	K36G0060	517	P1
440	K44G0060	582	P1
447 & 449	K49G0060	970	P1

Gearmotors and Gear Products

Motor Accessories

Grinders

Generators

Servo Motors and Controls

Mod Express

Baldor Education Workshops

Warranties and Sales Policies

Cross Reference and Index

Baldor Sales Offices

### Encoder Mounting Kits

Frame Size	Catalog Number	List Price	Mult. Sym.
FL180-RL250	417077-170	1,337	E8
L280-L400	417077-171	1,337	E8
L440	417077-172	1,337	E8
FL180-RL250	417077-136	1,337	E8
FL180-RL250	417708-130	1,337	E8
L280-L400	417708-132	1,337	E8
FL180-RL250	417708-361	1,504	E8
FL180-RL250	417077-153	1,481	E8
L280-L400	417708-85	1,481	E8
L440	417708-121	2,500	E8
FL180-RL250	417077-156	1,910	E8
L280-L400	417708-87	1,910	E8
L440	417708-120	1,910	E8
FL180-RL250	417077-170	1,337	E8
FL180-RL250	417077-136	1,337	E8
FL180-RL250	417708-361	1,504	E8
FL180-RL250	417077-153	1,481	E8
FL180-RL250	417077-156	1,910	E8
FL180-RL250	417708-226	2,030	E8
FL180	417077-173	1,337	E8
RL210	417077-174	2,308	E8
RL250	417077-175	2,308	E8
L280	417077-176	1,337	E8
L320	417077-177	1,337	E8
L360	417077-178	1,337	E8
L400	417077-179	1,337	E8
FL180	417077-165	1,337	E8
RL210	417077-134	2,116	E8
RL250	417077-135	2,116	E8
L280	417708-131	1,337	E8
L320	417708-140	1,337	E8
L360	417708-141	1,337	E8
L400	417708-142	1,337	E8
L280	417708-96	1,910	E8
L320	417708-97	1,910	E8
L360	417708-98	1,910	E8
L400	417708-99	1,910	E8
RL210	417708-227	4,422	E8
RL250	417708-228	4,422	E8

### For use with Legacy Reliance Motor Designs

Frame Size	Catalog Number	List Price	Mult. Sym.
FL180-RL210,RL250	417077-180	1,337	E8
FL180-RL210,RL250	417077-133	1,337	E8
FL180-RL210,RL250	417708-371	1,504	E8
L440	417708-132	1,337	E8
L440	417708-121	2,500	E8
L440	417708-120	1,910	E8
<b>Encoder Only</b>			
	417708-230	1,514	E8
	417708-231	1,666	E8
	417708-232	1,514	E8
<b>Stub shaft only</b>			
	417708-201	152	E8
	417708-202	152	E8
	417708-203	152	E8
	417708-204	152	E8
	417708-207	152	E8
	417708-206	152	E8
	417708-206	152	E8
	417708-210	152	E8
	417708-212	152	E8
	417708-212	152	E8
	417708-208	152	E8
	417708-209	152	E8
	417708-42	205	E8
	417708-157	256	E8
<b>Replacement Blower Kits</b>			
RL210	417077-144	832	E8
RL250	417077-145	1,625	E8
L280	419947-31	1,620	A8
L320	419947-33	1,802	A8
L360	419947-35	2,059	E8
L400	417077-75	2,726	A8
FL180	417077-143	832	E8
RL210-RL250	417077-141	1,058	E8

### Industrial Grinders

Cast aluminum wheel guards can be exhausted or left closed. 8-foot power cord. Base mounted on/off switch. Rubber feet minimize vibration.



**600E**

Hp	RPM	Wheel Size	Catalog Number	List Price	Mult. Sym.	Shpg. Wgt.	Voltage	Style	Agency Approval	Notes
1/3	3600	6"x3/4"x1/2"	<b>600E</b>	247	G1	30	115	Grinder	UL	a,c
1/3	3600	6"x3/4"x1/2"	<b>602E</b>	247	G1	27	115	Grinder/Buffer	UL	b,c

Cast aluminum non-exhaust type wheel guards. 8-foot power cord. Base mounted on/off switch. Rubber feet to minimize vibration.

Hp	RPM	Wheel Size	Catalog Number	List Price	Mult. Sym.	Shpg. Wgt.	Voltage	Style	Agency Approval	Notes
1/3	3600	6"x3/4"x1/2"	<b>612</b>	280	G1	30	115	Grinder	UL, CSA	a,c
1/3	3600	6"x3/4"x1/2"	<b>662</b>	280	G1	29	115	Grinder/Buffer	UL, CSA	b,c

Cast iron exhaust type wheel guards. 8-foot power cord. Base mounted on/off switch. Rubber feet to minimize vibration.



**623E**

Hp	RPM	Wheel Size	Catalog Number	List Price	Mult. Sym.	Shpg. Wgt.	Voltage	Style	Agency Approval	Notes
1/4	1800	6"x3/4"x1/2"	<b>632E</b>	392	G1	47	115	Grinder		a,d
1/3	3600	6"x3/4"x1/2"	<b>612E</b>	347	G1	44	115	Grinder	UL, CSA	a,c
1/3	3600	6"x3/4"x1/2"	<b>623E</b>	392	G1	47	115	Grinder	UL	a,d
1/3	3600	6"x3/4"x1/2"	<b>623ED</b>	530	G1	61	115	Grinder		a,d,e
1/3	3600	6"x3/4"x1/2"	<b>662E</b>	347	G1	43	115	Grinder/Buffer	UL, CSA	a,c
1/3	3600	6"x3/4"x1/2"	<b>673E</b>	392	G1	45	115	Grinder/Buffer	UL	a,d

Cast iron exhaust type wheel guards. 8-foot power cord. Base mounted on/off switch. Rubber feet to minimize vibration.



**7306**

Hp	RPM	Wheel Size	Catalog Number	List Price	Mult. Sym.	Shpg. Wgt.	Voltage	Style	Agency Approval	Notes
1/2	3600	7"x1"x5/8"	<b>712</b>	414	G1	45	115	Grinder	UL, CSA	a,c,f
1/2	3600	7"x1"x5/8"	<b>762</b>	414	G1	42	115	Grinder/Buffer	UL, CSA	b,c,f
1/2	3600	7"x1"x5/8"	<b>712E</b>	488	G1	69	115	Grinder	UL, CSA	a,c
1/2	3600	7"x1"x5/8"	<b>762E</b>	488	G1	66	115	Grinder/Buffer	UL, CSA	b,c
1/2	1800	7"x1"x5/8"	<b>7306</b>	534	G1	71	115/230	Grinder	UL	a,d,g
1/2	3600	7"x1"x5/8"	<b>7307</b>	534	G1	70	115/230	Grinder	UL, CSA	a,d,g
1/2	3600	7"x1"x5/8"	<b>7351</b>	534	G1	68	115/230	Grinder/Buffer	UL, CSA	b,d,g
1/2	1800	7"x1"x5/8"	<b>7308</b>	534	G1	71	208-230-4600	Grinder	UL, CSA	a,d,h
1/2	3600	7"x1"x5/8"	<b>7309</b>	534	G1	70	208-230-4600	Grinder	UL, CSA	a,d,h
1/2	1800	7"x1"x5/8"	<b>7306D</b>	688	G1	84	115/230	Grinder	UL	a,d,e,g
1/2	3600	7"x1"x5/8"	<b>7307D</b>	688	G1	84	115/230	Grinder	UL	a,d,e,g
1/2	3600	7"x1"x5/8"	<b>7309D</b>	688	G1	87	208-230/460	Grinder	UL, CSA	a,d,e,h
1/2/1/3	1800/3600	7"x1"x5/8"	<b>7312D</b>	864	G1	90	115	Grinder	UL	a,d,e

**NOTES:**

- (a) Supplied with 36 & 60 grit wheels.
- (b) Supplied with 36 grit and 0.014 wire wheel.
- (c) Stamp steel tool rests.
- (d) Cast iron tool rests.
- (e) Deluxe model includes water pot, tool tray and lighted eyeshields.
- (f) Non-exhaust type wheel guards.
- (g) Factory connected for 115 volts, power cord supplied.
- (h) Factory connected for 208-230 volts, no power cord.

**7306D**

### Industrial Grinders



**8100W**



**8100WD**



**1022W**



**1022WD**

All models have cast iron tool rests and exhaust type wheel guards. 8-foot power cord. Base mounted on/off switch. Rubber feet to minimize vibration.

Hp	RPM	Wheel Size	Catalog Number	List Price	Mult. Sym.	Shpg. Wgt.	Voltage	Style	Agency Approval	Notes
3/4	1800	8"x1"x3/4"	<b>8100W</b>	860	G1	99	115/230	Grinder	UL	a,g
3/4	1800	8"x1"x3/4"	<b>8100WD</b>	982	G1	110	115/230	Grinder	UL	a,e,g
3/4	3600	8"x1"x3/4"	<b>8107W</b>	860	G1	99	115/230	Grinder	UL	a,g
3/4	3600	8"x1"x3/4"	<b>8107WD</b>	982	G1	111	115/230	Grinder	UL	a,e,g
3/4	3600	8"x1"x3/4"	<b>8250W</b>	860	G1	97	115/230	Grinder/Buffer	UL	b,g
3/4	1800	8"x1"x3/4"	<b>8102W</b>	833	G1	98	208-230/460	Grinder	UL,CSA	a,h
3/4	1800	8"x1"x3/4"	<b>8102WD</b>	967	G1	111	208-230/460	Grinder	UL,CSA	a,e,h
3/4	3600	8"x1"x3/4"	<b>8123W</b>	833	G1	99	208-230/460	Grinder	UL,CSA	a,h
3/4	3600	8"x1"x3/4"	<b>8123WD</b>	967	G1	112	208-230/460	Grinder	UL,CSA	a,e,h
3/4	3600	8"x1"x3/4"	<b>8252W</b>	833	G1	95	208-230/460	Grinder/Buffer	UL	b,h
3/4	3600	8"x1"x3/4"	<b>8125W</b>	833	G1	99	575	Grinder	UL	a,i

All models have cast iron tool rests and exhaust type wheel guards. Base mounted on/off switch. Rubber feet to minimize vibration.

Hp	RPM	Wheel Size	Catalog Number	List Price	Mult. Sym.	Shpg. Wgt.	Voltage	Style	Agency Approval	Notes
1	1800	10"x1"x7/8"	<b>1022W</b>	1,098	G1	133	115/230	Grinder	UL	a,J
1	1800	10"x1"x7/8"	<b>1022WD</b>	1,257	G1	145	115/230	Grinder	UL	a,e,J
1-1/2	1800	10"x1"x7/8"	<b>1021W</b>	1,082	G1	134	208-230/460	Grinder	UL,CSA	a,h
1-1/2	1800	10"x1"x7/8"	<b>1021WD</b>	1,239	G1	146	208-230/460	Grinder	UL,CSA	a,e,h
1-1/2	1800	10"x1"x7/8"	<b>105W</b>	1,082	G1	133	575	Grinder	UL,CSA	a,i

**NOTES:**

- (a) Supplied with 36 & 60 grit wheels.
- (b) Supplied with 36 grit and 0.014 wire wheel.
- (e) Deluxe model includes water pot, tool tray and lighted eyeshields.
- (g) Factory connected for 115 volts, power cord supplied.
- (h) Factory connected for 208-230 volts, no power cord.
- (i) 575 volt, 50//60 Hz.
- (J) Factory connected for 115 volts, no power cord.

Gearmotors and Gear Products

Motor Accessories

Grinders

Generators

Servo Motors and Controls

Mod Express

Baldor Education Workshops

Warranties and Sales Policies

Cross Reference and Index

Baldor Sales Offices



### Industrial Grinders 12 Inch



**BALDOR**  
Catalog #1215W  
with #GA20 Pedestal

Cast iron tool rests & exhaust type wheel guards. Manual starter with overload protection. Also includes lighted eyeshield (bulb not included). All three-phase units are suitable for 50/60 Hz, 1500/1800 RPM operation. Wheels sold separately. See chart below.

Hp	RPM	Wheel Size	Catalog Number	List Price	Mult. Sym.	Shpg. Wgt.	Voltage	Style	Agency Approval	Notes
2	1800	12"X2"X1-1/4"	<b>1215W</b>	2,469	G1	253	208-230/460	Grinder	UR	k
3	1800	12"X2"X1-1/4"	<b>1216W</b>	2,557	G1	254	208-230/460	Grinder	UR	k
2	1800	12"X2"X1-1/4"	<b>1217W</b>	2,615	G1	259	115/230	Grinder	UR	J
3	1800	12"X2"X1-1/4"	<b>129W</b>	2,557	G1	256	575	Grinder	UR	i

Cast iron tool rests & exhaust type wheel guards. Magnetic starter with overload protection. Also includes lighted eyeshields (bulbs not included). Suitable for 50/60 Hz operation. Wheels sold separately. See chart below.

Hp	RPM	Wheel Size	Catalog Number	List Price	Mult. Sym.	Shpg. Wgt.	Voltage	Style	Agency Approval	Notes
5	1800	14"X3"X1-1/4"	<b>1406W</b>	3,168	G1	359	230	Grinder	UR	m
5	1800	14"X3"X1-1/4"	<b>1410W</b>	3,168	G1	362	460	Grinder	UR	m
5	1800	14"X3"X1-1/4"	<b>1408W</b>	3,168	G1	358	575	Grinder	UR	m
7-1/2	1800	14"X3"X1-1/4"	<b>1407W</b>	3,456	G1	372	230	Grinder	UR	m
7-1/2	1800	14"X3"X1-1/4"	<b>1411W</b>	3,456	G1	381	460	Grinder	UR	m
7-1/2	1800	14"X3"X1-1/4"	<b>1409W</b>	3,456	G1	374	575	Grinder	UR	m

### 14 Inch



**BALDOR**  
Catalog #1407W  
with #GA20 Pedestal

### Wheels for 12-Inch and 14-Inch Grinders

High quality aluminum oxide and silicon abrasive in a premium vitrified system

Catalog Number	List Price	Mult. Sym.	Diameter	Face	Bore	Grit	Shpg. Wgt.
<b>B125</b>	188	A8	12"	2"	1-1/4"	30	22
<b>B126</b>	190	A8	12"	2"	1-1/4"	46	22
<b>B147</b>	356	A8	14"	3"	1-1/4"	30	42
<b>B148</b>	356	A8	14"	3"	1-1/4"	46	41

**NOTE:** When installing new wheels, check wheels for possible damage. Do not use a damaged wheel. With new wheel installed, all safety guards in place and operator standing away from front of grinder, run grinder for one minute before apply work. (Wear safety glasses). **Exercise caution.**  
Designed to comply with OSHA standards under normal usage.

**NOTES:**

- (i) 575 volt, 50//60 Hz.
- (j) Factory connected for 115 volts, no power cord.
- (k) Factory connected for 230, manual starter, specify voltage when ordering.
- (m) Factory connected for 230, magnetic starter must be changed for other voltages

### Industrial Tool Grinders

#### Diamond Wheel Grinder



Catalog #522

Baldor Diamond Wheel Tool Grinders feature all cast iron construction. Precision built, they have locked double row bearings and a maximum runout of .002 for precise tool and die work. Accommodates cup wheels with 1-1/4" center hole. Large tool tables with protractor type tool support. Light and water pot with spout and faucet that can be moved to either side are standard equipment. Diamond wheels sold separately. See chart below.

Hp	RPM	Cup Wheel Size	Catalog Number	List Price	Mult. Sym.	Shpg. Wgt.	Voltage	Style	Agency Approval	Notes
1/2	3600	6"x1"x1-1/4"	522	1,381	G1	108	115	Tool Grinder	UL	g
1/2	3600	6"x1"x1-1/4"	532	1,381	G1	109	208-230/460	Tool Grinder	UL	h

**NOTE:** Rough service bulb is suggested.

#### Carbide Tool Grinder



Catalog #500

Baldor Carbide Tool Grinders feature all cast iron construction. Accommodates cup wheels with 1-1/4" center hole. Large tool tables with protractor type tool support. Light and water pot with spout and faucet that can be moved to either side are standard equipment. Wheels sold separately. See chart below.

Hp	RPM	Wheel Size	Catalog Number	List Price	Mult. Sym.	Shpg. Wgt.	Voltage	Style	Agency Approval	Notes
1/2	3600	6"x1"x1-1/4"	500	1,228	G1	109	115	Tool Grinder	UL	g
1/2	3600	6"x1"x1-1/4"	510	1,228	G1	109	208-230/460	Tool Grinder	UL	h

**NOTE:** Rough service bulb is suggested.



Catalog #D501



Catalog #C61

### Wheels and Accessories

Catalog Number	List Price	Mult. Sym.	Shpg. Wgt.	Face	Grit	Description
D501	789	A8	5	3/4"	120	General Purpose Diamond Wheel
D502	789	A8	2	3/4"	220	Fine Finish Diamond Wheel
C61	121	A8	5	1"	60	Silicone Carbide
C121	121	A8	3	1"	120	Silicone Carbide
S46	112	A8	3	1"	46	Aluminum Oxide
S61	112	A8	3	1"	60	Aluminum Oxide
GA8	133	A8	1			Wheel Dresser with Diamond NIB
GA7	80	A8	1			Diamond NIB for GA8 (7/16 diameter x 1" long)

**NOTE:** When installing new wheels, check wheel for possible damage. Do not use a damaged wheel. With new wheel installed and all safety guards in place, and operator is standing away from front of grinder, run grinder for one minute before applying work. **(Wear safety glasses). Exercise caution.**

#### NOTES:

- (g) Factory connected for 115 volts, power cord supplied.
- (h) Factory connected for 208-230 volts, no power cord.



GA8

GA7



Gearmotors and Gear Products

Motor Accessories

Grinders

Generators

Servo Motors and Controls

Mod Express

Baldor Education Workshops

Warranties and Sales Policies

Cross Reference and Index

Baldor Sales Offices

### Industrial Abrasive Belt Sanders

Baldor offers several options when it comes to industrial belt sanders, fixed and tiltable belts, grinder/sanders and even an adjustable speed sander for increased flexibility. All units come with a base mounted on/off switch and your choice of 2"x36" 100 grit belt or 2"x48" 80 grit belt.



Catalog #602E-MT      Catalog #248-151D      Catalog #248-181TD      Catalog #248-151TD      Catalog #248-151AS

Hp	RPM	Tilttable belt	Catalog Number	List Price	Mult. Sym.	Shpg. Wgt.	Voltage	Style	Agency Approval	Notes
1/3	3600	Multi-Position	<b>602E-MT</b>	656	G1	24	115	Grinder/Belt Sander	UL	g, n
1-1/2	3600	Fixed	<b>2048-151D</b>	1,322	G1	88	115/230	Belt Sander	UL	g
1-1/2	3600	Fixed	<b>2048-153D</b>	1,279	G1	76	208-230/460	Belt Sander	UL	h
1-1/2	3600	Three positions	<b>248-151TD</b>	1,448	G1	95	115/230	Belt Sander	UL	g
1-1/2	3600	Three positions	<b>248-153TD</b>	1,405	G1	84	208-230/460	Belt Sander	UL	h
1-1/2	3600	Three positions	<b>248-181TD</b>	1,702	G1	138	115/230	Grinder/Belt Sander	UR	J,I
1-1/2	3600	Three positions	<b>248-183TD</b>	1,654	G1	128	208-230/460	Grinder/Belt Sander	UL	h,I
1-1/2	0-3600	Three positions	<b>248-151AS</b>	1,560	G1	105	115	Adjustable Speed	UR	g,J,I

### Industrial Buffers

Buffers are designed for use with soft cloth wheels **ONLY**. Specific buffing applications may require the addition of operator safety devices. Consult with a safety engineer before installation. Price includes flanges and nuts but **does not** include wheels.



Catalog #333B



Catalog #1458 with #GA20 Pedestal

Hp	RPM	Max. Wheel Size	Shaft Diameter	Catalog Number	List Price	Mult. Sym.	Shpg. Wgt.	Voltage	Agency Approval	Notes
1/4	1800	6"	1/2"	<b>114</b>	312	G1	24	115	UR	g
1/3	3600	6"	1/2"	<b>111</b>	312	G1	25	115	UR	g
3/4	1800	8"	3/4"	<b>332B</b>	614	G1	55	115/230	UR	g
3/4	3600	8"	3/4"	<b>333B</b>	614	G1	56	115/230	UR	g
3/4	1800	8"	3/4"	<b>334B</b>	600	G1	54	208-230/460	UR,CSA	h
3/4	3600	8"	3/4"	<b>330B</b>	600	G1	56	208-230/460	UR,CSA	h
1	1800	10"	7/8"	<b>407B</b>	815	G1	60	115/230	UR	j
1-1/2	3600	10"	7/8"	<b>410B</b>	801	G1	61	115/230	UR	j
1-1/2	1800	10"	7/8"	<b>409B</b>	782	G1	59	208-230/460	UR,CSA	h
1-1/2	3600	10"	7/8"	<b>412B</b>	782	G1	62	208-230/460	UR,CSA	h
2	1800	12"	1-1/4"	<b>1250</b>	1,889	G1	164	115/230	UR	k
2	3600	12"	1-1/4"	<b>1251</b>	1,834	G1	160	115/230	UR	k
3	1800	12"	1-1/4"	<b>1252</b>	1,734	G1	156	208-230/460	UR,CSA	k
3	3600	12"	1-1/4"	<b>1253</b>	1,685	G1	156	208-230/460	UR,CSA	k
5	1200	14"	1-1/4"	<b>1457</b>	2,532	G1	228	230	UR,CSA	m
5	1800	14"	1-1/4"	<b>1458</b>	2,155	G1	218	230	UR,CSA	m
7-1/2	1800	14"	1-1/4"	<b>1454</b>	2,408	G1	229	230	UR,CSA	m
7-1/2	3600	14"	1-1/4"	<b>1453</b>	2,278	G1	223	230	UR,CSA	m

**NOTES:**

- (g) Factory connected for 115 volts, power cord supplied.
- (h) Factory connected for 208-230 volts, no power cord.
- (j) Factory connected for 115 volts, no power cord.
- (k) Factory connected for 230, manual starter, specify voltage when ordering.
- (l) Supplied with 8"x1"x3/4" 36 grit wheel and 80 grit belt.
- (m) Factory connected for 230, magnetic starter must be changed for other voltages
- (n) Supplied with 0.014 wire wheel and 36" x 2" 100 grit belt

Gearmotors and Gear Products

Motor Accessories

Grinders

Generators

Servo Motors and Controls

Mod Express

Baldor Education Workshops

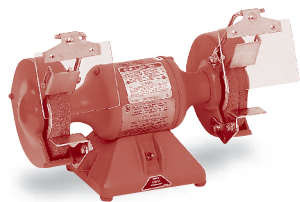
Warranties and Sales Policies

Cross Reference and Index

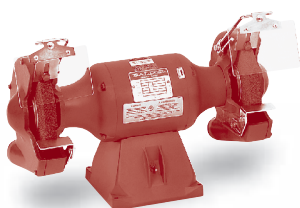
Baldor Sales Offices

### Big Red Grinders

Big Red Grinders are available with 6", 7" or 8" wheels, equipped with base mounted on/off switch and 8 foot cord with plug. Rubber mounting feet help minimize vibration. Models ending in "E" have exhaust type wheel guards.



**600RE**



**812RE**

Hp	RPM	Wheel Size	Catalog Number	List Price	Mult. Sym.	Shpg. Wgt.	Voltage	Style	Agency Approval	Notes
1/3	3600	6"x3/4"x1/2"	<b>600RE</b>	247	G1	29	115	Grinder	UL	a,c
1/3	3600	6"x3/4"x1/2"	<b>602RE</b>	247	G1	27	115	Grinder/Buffer	UL	b,c
1/3	3600	6"x3/4"x1/2"	<b>612R</b>	280	G1	30	115	Grinder	UL,CSA	a,c,f
1/3	3600	6"x3/4"x1/2"	<b>662R</b>	280	G1	29	115	Grinder/Buffer	UL,CSA	b,c,f
1/2	3600	7"x1"x5/8"	<b>712R</b>	414	G1	44	115/230	Grinder	UL,CSA	a,c,f
1/2	3600	7"x1"x5/8"	<b>762R</b>	414	G1	43	115/230	Grinder/Buffer	UL,CSA	b,c,f
1/2	3600	7"x1"x5/8"	<b>712RE</b>	488	G1	68	115/230	Grinder	UL,CSA	a,c
1/2	3600	7"x1"x5/8"	<b>762RE</b>	488	G1	67	115/230	Grinder/Buffer	UL,CSA	b,c
3/4	3600	8"x1"x3/4"	<b>812RE</b>	813	G1	99	115/230	Grinder	UL	a,c,g
3/4	3600	8"x1"x3/4"	<b>862RE</b>	813	G1	95	115/230	Grinder/Buffer	UL	a,c,g

### Big Red Accessories

#### Pedestals



**GA16R**

**GA14R**

Catalog Number	Description	List Price	Mult. Sym.	Shpg. Wgt.
<b>GA16R</b>	Cast iron pedestal can be used on all Big Red Grinders Height is 32-7/8"	387	A8	62
<b>GA16RE</b>	Light industrial version, all steel construction for use on 6" & 7" only, height is 34"	252	A8	36
<b>GA20RE</b>	Light industrial version, all steel construction for use on 8" only, height is 34"	292	A8	54
<b>GA14R</b>	Fabricated steel pedestal with storage shelves can be used on all Big Red Grinders, height is 34-1/2"	292	A8	64
<b>GA9R</b>	2) Lighted eyeshield, 5-1/2" x 3-3/4" viewing area, 8-ft cord with plug, mounts to any Big Red Grinder	163	A8	5
<b>GA9SR</b>	2) Lighted eyeshield with on/off switch, 5-1/2" x 3-3/4" viewing area, 8-ft cord with plug, mounts to any Big Red Grinder	181	A8	5

#### Lighted Eyeshields



**GA9R**

**GA9SR**

#### NOTES:

- (a) Supplied with 36 & 60 grit wheels.
- (b) Supplied with 36 grit and 0.014 wire wheel.
- (c) Stamp steel tool rests.
- (d) Cast iron tool rests.
- (f) Non-exhaust type wheel guards.
- (g) Factory connected for 115 volts, power cord supplied.

Gearmotors and Gear Products

Motor Accessories

Grinders

Generators

Servo Motors and Controls

Mod Express

Baldor Education Workshops

Warranties and Sales Policies

Cross Reference and Index

Baldor Sales Offices

## Accessories Dust Control Units for Baldor Grinders

115 Volt, Single Phase, 60 Hz.

Catalog Number	Dust Control Unit Price	Mult. Sym.	Grinding Wheel Maximum		Cubic Ft/Min		Air Control Valves	Shpg. Wgt.
			Dia.	Width	Total Cap.	Required Per Wheel By OSHA <sup>(o)</sup>		
DC7	1,162	A8	7"	1"	440	220	Yes	60
DC8	1,162	A8	8"	1"	440	220	Yes	62
DC10	1,162	A8	10"	1"	440	390	Yes <sup>(p)</sup>	60
DC12	1,263	A8	12"	2"	440	390	Yes <sup>(p)</sup>	62
DC12-3	1,263	A8	12"	2"	440	390	Yes <sup>(p)</sup>	57
DC14-3 <sup>(n)</sup>	2,062	A8	14"	3"	700	590	Yes <sup>(p)</sup>	73

<sup>(n)</sup> DC14-3 powered with 1Hp TEFC 208-230/460 volt, three phase motor, less cord, switch, and lug.

<sup>(o)</sup> From ventilation section 1910.94 table G-4 Federal register vol. 37 #202, 10-18-72.

<sup>(p)</sup> Air control valve required to direct total CFM of collector to only the wheel being used to meet OSHA CFM requirements on 10" and larger grinders.



Catalog #1022W  
with DC10 and GA16

## Replacement Filter Bags

Catalog Number	List Price	Mult. Sym.	Dust Control Unit	Shpg. Wgt.
ARB-1	80	A8	DC7, 8, 10, 12, 12-3	1
ARB-2	112	A8	DC14-3	2

**NOTE:** Do not collect potentially reactive materials without consulting (NFPA) National Fire Protection Association Standards.

Powered by a 1/2 Hp TEFC single phase Baldor motor with cord, switch, and plug.

230 volt single phase units are available and supplied less switch, cord, and plug. Specify for 230 volt single phase operation.

Collectors with three phase motor less cord, switch, and plug are available. For 208-230/460 volt three phase, add suffix -3 to catalog number. Add \$30.00 to list price.

Mount dust control units with Grinder and GA16 or GA20 pedestal.

## Accessories Grinder and Buffer

Item Number	Catalog Number	Description	List Price	Mult. Sym.	Shpg. Wgt.
A	GA16	Pedestal "Cast Iron"	387	A8	62
	GA16E	"Steel"	252	A8	36
B	GA14	Pedestal "Steel"	292	A8	64
C	GA20	Pedestal "Cast Iron"	637	A8	125
	GA20E	"Steel"	292	A8	54
D	GA24	Water Pot	42	A8	1
E	GA3	Water Pot	65	A8	9
F	GA25	Tool Tray	42	A8	7
G	GA4	Tool Tray	66	A8	6
H	GA11	Eyeshield	53 pr	A8	2
I	GA10	Eyeshield	48 pr	A8	1
J	GA9	Lighted Eyeshield (less on/off switch)	163 pr	A8	5
J-1	GA9-1	same as GA9 except packed 1 unit per carton	89 ea	A8	3
K	GA9S	Lighted Eyeshield (with on/off switch)	181 pr	A8	6
L	GA13	Eyeshield for 6" Grinders	41 pr	A8	2
M	AB248	Abrasive Belt 2" x 48" - 80 Grit	24	A8	1



**(A) GA16 Pedestal** for 6", 7", 8" and 10" grinders, carbide and diamond wheel grinders, 1/4 Hp through 1-1/2 Hp buffers and belt grinders. Height 32 7/8".

**GA16RE** for 6" & 7" grinders "all steel construction". Height 34".

**(B) GA14 Pedestal** - fabricated steel, for 6", 7", 8" and 10" grinders, 1/4 Hp through 1 1/2 Hp buffers. Height 34 1/2".

**(C) GA20 Pedestal** for 8", 10", 12" and 14" grinders and 3/4 through 7-1/2 Hp buffers. Height 30".

**GA20RE** for 8" & 10" grinders "all steel construction". Height 34".

**(D) GA24 Water Pot** for 623E, 673E, 612E, 662E, and 7" (except #712, #712R, #762, & #762R), 8" and 10" grinders. Supplied with mounting bracket and swivel arm. Capacity 1-1/2 pints.

**(E) GA3 Water Pot** for GA20 pedestal. Capacity 3 pints.

**(F) GA25 Tool Tray** for 623E, 632E, 673E, 612E, 662E and 7" (except #712, #712R, #762, & #762R), 8" and 10" grinders. Supplied with mounting bracket and swivel arm. Diameter 8". Area 48 square inches.

**(G) GA4 Tool Tray** for GA20 pedestal. Dimensions 12" x 6".

**(H) GA11 Eyeshield** - 6" x 4" shatter resistant Plexiglas®. Fits Baldor grinders 7" through 14".

**(I) GA10 Eyeshield** - 5" x 4" shatter resistant Plexiglas®. Fits Baldor 6" grinders and #712, #712R, #762 and #762R.

**(J) GA9 Lighted Eyeshield** - 5 1/2" x 3 3/4" viewing area made of shatter resistant Plexiglas®. Supplied with 8 foot 3 conductor cord with plug. Accommodates standard 115 volt 60 watt bulb. Supplied less bulb and on/off switch. Mounts to Baldor grinders except tool and belt grinders. Adjusts horizontally and vertically. U.L. listed/CSA certified.

**(J-1) GA9-1** - Same as GA9 except packed 1 per carton. 115 volt only.

**(K) GA9S Lighted Eyeshield with On/Off Switch** - 115 volt only.

**(L) GA13 Eyeshield for 600 Series 6" Grinders**

**(M) AB248 Abrasive Belt** - 2" x 48" - 80 Grit.



### Accessories Wheels for Grinders



6" 7" 8" 10" 12" 14"

### Sewed Cotton Buffing Wheels



6" 8" 10"

### Wire Brush Wheels



6" 7" 8"

Extremely durable aluminum oxide abrasive grain. Excellent for steels and alloy steels. Ideal for numerous general purpose applications.

Catalog Number	List Price	Mult. Sym.	Diameter	Face	Bore	Grit	Shpg. Wgt.
B66	33	A8	6"	3/4"	1/2"	36	2
B67	33	A8	6"	3/4"	1/2"	60	2
B73	46	A8	7"	1"	5/8"	36	4
B74	46	A8	7"	1"	5/8"	60	3
B80	55	A8	8"	1"	3/4"	36	5
B81	55	A8	8"	1"	3/4"	60	4
B102	83	A8	10"	1"	7/8"	36	8
B103	83	A8	10"	1"	7/8"	60	6
B125	188	A8	12"	2"	1-1/4"	30	22
B126	190	A8	12"	2"	1-1/4"	46	22
B147	356	A8	14"	3"	1-1/4"	30	42
B148	356	A8	14"	3"	1-1/4"	46	41

**Features:** Wheels are muslin cloth, spiral sewn. These bore sizes will fit shafts 1/8" greater diameter than bore.

Catalog Number	List Price	Mult. Sym.	Diameter	Face	Bore	Shpg. Wgt.
A65	18	A8	6"	1/4"	1/2"	1
A82	29	A8	8"	1/4"	3/4"	1
A103	35	A8	10"	1/4"	7/8"	1

**NOTE:** Cotton wheels are supplied in sections 1/4" wide. Two (or more) sections may be put together to make up wheel of desired width.

**Features:** Wheels are crimped, carbon steel wire.

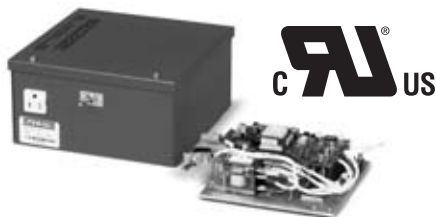
Catalog Number	List Price	Mult. Sym.	Diameter	Face	Bore	Diameter of Wire	Shpg. Wgt.
W64	41	A8	6"	5/8"	1/2"	0.014	1
W70	48	A8	7"	5/8"	5/8"	0.014	1
W82	54	A8	8"	3/4"	3/4"	0.014	1

**NOTE:** Baldor 6", 7" & 8" grinders equipped with grinding wheels can be converted to have wire brush wheels. To properly fit the wire brush wheels, flat washers or spacer must be placed on both sides of the wheel flanges. This will accommodate the width differences between the wire brush wheel and the original grinding wheel. Order washers/spacers as follows: 6" (3) HW1000A50, 7" (2) HA2047A01, 8" (4) HW1000A75

**NOTE:** When installing new wheels, check wheel for possible damage. Do not use a damaged wheel. With new wheel installed and all safety guards in place, and operator standing away from front of grinder, run grinder for one minute before applying work. **(Wear safety glasses).**

### Exercise Caution.

### Single Phase Electronic Motor Brake



**Applications:** Efficient alternative to mechanical brakes, suitable for woodworking machinery, machine tools, bench grinders and buffers. Ideal for OEM equipment or for retrofitting into an existing application.

**Features:** Automatic braking for single-phase motors. User adjustable torque and brake time. Prevents restarts after power has been removed for 7 seconds. Accommodates frequent start/stop applications. Available in panel mount for system integration or with line cord, plug and receptacle in a NEMA 1 enclosure for easy installation.

Catalog Number	Horsepower	Amps	Voltage (60 Hz only)	List Price	Mult. Sym.
<b>Panel Mount</b>					
BQ1-015-CP	1	15	110-125 VAC	660	E7
BQ2-015-CP	2	15	208-230 VAC	660	E7
<b>NEMA 1</b>					
BQ1-015-CC	1	15	110-125 VAC	852	E7
BQ2-015-CC	2	15	208-230 VAC	852	E7

**SUFFIX:** CP = 6"x5"x3" module without cord, receptacle, switch or enclosure.  
CC = 8"x8"x4.5" NEMA 1 enclosure with 9ft. cord, receptacle and switch.



### Polishing Lathes, Chucks



**340**



**353T**



**380WCT**



**LPL50**

Baldor polishing lathes have features preferred by Dentists, dental lab technicians, jewelers, lapidary and other for precision, trouble-free polishing. All lathes are supplied with 8-foot cord with plug, rubber feet and heavy construction to minimize vibration, provisions for mounting to a laboratory bench are provided as well.

Hp	RPM	Shaft Diameter/Taper	Catalog Number	List Price	Mult. Sym.	Shpg. Wgt.	Voltage	Style	Agency Approval	Notes
1/4	3600/1800	0.375 / 0.250	<b>340</b>	383	G1	32	115	Dual Speed	UR, CSA	q
1/4	3000/1500	0.375 / 0.250	<b>342</b>	383	G1	31	220-240	Dual Speed	UR, CSA	r
1/4	3600/1800	0.375 / 0.250	<b>353T</b>	420	G1	35	115	Dual Speed	UL, CSA	q
1/2	3600	0.375 / 0.250	<b>359T</b>	421	G1	36	115	Single speed	UL, CSA	q
1/3	3600/1800	0.375 / 0.250	<b>380T</b>	468	G1	42	115	Dual Speed	UL, CSA	q
1/3	3600/1800	0.375 / 0.250	<b>380WCT</b>	1,077	G1	47	115	Dual Speed	UL, CSA	q,s
1/2	3600	0.625 / straight	<b>LPL50</b>	409	G1	43	115	Single speed	UR	q,t
3/4	3600	0.625 / straight	<b>LPL75</b>	499	G1	48	115/230	Single speed	UR	q,t

**NOTES:**

- (q) Factory connected for 115 volts, power cord supplied.
- (r) Factory connected for 220-240 volts, power cord without plug.
- (s) Right side equipped with Wells Dental "Super Quick" chuck, 2 mandrels, 2 stone, 1 arbor band, 1 soft wheel chuck.
- (t) Single shaft, right side.

### Baldor True-Running Chucks

Made to close-tolerance specifications, keeps vibration to an absolute minimum. All chuck guaranteed to match Baldor lathes and other make with standard tapered shaft. Mounting hole 0.370" tapered 0.250 per foot.



Catalog Number	List Price	Mult. Sym.	Description	Shpg. Wgt.
<b>R1</b>	22	A8	Hard Wheel, Right Hand, Brass	1
<b>R2</b>	24	A8	Soft Wheel, Right Hand, Brass	1
<b>L3</b>	22	A8	Hard Wheel, Left Hand, Brass	1
<b>L4</b>	24	A8	Soft Wheel, Left Hand, Brass	1
<b>R5A</b>	78	A8	Burr Chuck, Right Hand,	1
<b>R6</b>	41	A8	Arbor Band, Right Hand, Brass	1
<b>L7</b>	45	A8	Burr Chuck, Left Hand, Stainless	1

**NOTE:** R1 & L3 hard wheel chucks accommodate up to 1/4" wide wheel with 1/4" arbor hole. R6 arbor band chuck accommodates 1/2" wide x 3/4" diameter arbor band.

### Dust Collector Bags

Catalog Number	List Price	Mult. Sym.	Description	Shpg. Wgt.
<b>DA1</b>	45	A8	Dust Collector Bag (1 per carton). For Baldor D60 and D61 Dust Collectors	1

### FULL THREE YEAR WARRANTY

Baldor polishing lathes are warranted against burnouts, defective materials, and workmanship for three full years. Warranty covers all parts except those subject to normal wear. "Wells Quick Chuck" warranted one year by manufacturer.

### Premier Full Featured Portable Generators

### 3,000 through 11,000 Watts

#### Applications

Baldor portable generators are designed to meet your demands when dependable portable power is required. The performance and durability of Baldor portables have made them the generator of choice for industrial and rental/construction applications.

#### Features

Baldor portable generators are equipped with industrial grade engines to provide the performance and dependability you can count on. Baldor manufactures its own generators and backs them with an industry leading 3-year limited warranty. Baldor portable generators also feature Switchless Full Pow'R, eliminating the need for a Full Power switch. Automatically get the 120V or 240V nameplate power rating without having to flip a switch.

Baldor Premier portable generators incorporate the features you've come to expect from the leader in portable power generation.

- Switchless Full Power – Automatic 120V/240V operation.
- Automatic Idler System – Reduces fuel consumption, extends engine life.
- Focal Vibration System – Reduces vibration, extends generator life.
- Hour meter
- Voltmeter
- Fuel Gauge



OHV30



OHV110E

Catalog Number	Max. Watts	Cont. Watts	Fuel Capacity	Engine	Engine Hp	Volts (60 Hertz)	List Price	Mult. Sym.	Approx. Shpg. Wgt.
OHV30	3000	2500	2.8 Gal.	Honda	5.5	120 VAC	1,535	PG	121
OHV40	4000	3500	4.6 Gal.	Honda	8.0	120/240 VAC	2,181	PG	193
OHV50H	5000	4000	4.6 Gal.	Honda	9.0	120/240 VAC	2,380	PG	193
OHV60	6000	5000	4.6 Gal.	Honda	11.0	120/240 VAC	2,807	PG	218
OHV60E ①	6000	5000	4.6 Gal.	Honda	11.0	120/240 VAC	3,270	PG	230
OHV90E ①	9000	8000	5.8 Gal.	Honda	16.6	120/240 VAC	4,020	PG	285
OHV110E ①	11000	10000	5.8 Gal.	Honda	20.0	120/240 VAC	6,914	PG	348

**NOTES:** OHV60E and OHV90E are electric start and have recoil start. OHV110E has electric start but no recoil.

① Batteries are not included or available on any Electric Start Models.

Baldor reserves the right to implement specifications or design change without notice.

**WARNING:** Do not connect generator to any building's electrical system unless a disconnect switch has been installed. Follow local and national electrical codes for proper installation.

**WARRANTY:** Three-year limited warranty – See Baldor Generators Warranty Policy for details. Engine Warranty per the Engine Manufacturer.

## Baldor Premier Portable Generator Specifications

Premier Model	OHV30	OHV40	OHV50H	OHV60	OHV60E	OHV90E	OHV110E
<b>Features</b>							
Switchless Full Pow'R	—	std	std	std	std	std	std
AC Voltmeter	—	std	std	std	std	std	std
Hourmeter	std	std	std	std	std	std	std
AC Circuit Breakers	std	std	std	std	std	std	std
Low Oil Shutdown	std	std	std	std	std	std	std
Automatic Idler	—	std	std	std	std	std	std
Spark Arrestor Muffler	std	std	std	std	std	std	std
Extended Run Fuel Tank	std	std	std	std	std	std	std
Tubular Roll Cage	std	std	std	std	std	std	std
Neoprene Isolators	std	std	std	std	std	std	std
Focal Vibration System (FVS)	—	std	std	std	std	std	std
3-Year Warranty ②	std	std	std	std	std	std	std
<b>Engine Model</b>							
Horsepower	Honda 5.5	Honda 8.0	Honda 9.0	Honda 11	Honda 11	Honda 16.6	Honda 20
Cylinder (S)	1	1	1	1	1	2	2
Lubrication System	Splash	Splash	Splash	Splash	Splash	Pressure	Pressure
Displacement - CC	163	242	270	337	337	614	620
Starting Systems ①	Recoil	Recoil	Recoil	Recoil	12 Volt with Recoil	12 Volts with Recoil	12 Volt
<b>Rating</b>							
Max Rating	3000W	4000W	5000W	6000W	6000W	9000W	11000W
Rated	2500W	3500W	4000W	5000W	5000W	8000W	10000W
Volts	120VAC	120/240VAC	120/240VAC	120/240VAC	120/240VAC	120/240VAC	120/240VAC
Amps	20.8	29.2/14.6	33.3/16.7	41.6/20.8	41.6/20.8	66.7/33.4	83.3/41.6
dbA (Ave) @ 7 meters	70	73	73	72	72	78	78
<b>Receptacles</b>							
Straight(520R)120V, 20A, Duplex	1	—	—	—	—	—	—
Straight(520R GFCI)120V, 20A, Duplex	1	2	2	2	2	2	2
Twist Lock(L530R)120V, 30A	—	1	1	1	1	1	1
Twist Lock(L1430R)120/240V, 30A	—	1	1	1	1	1	1
Twist Lock(CS6369)120/240V, 50A	—	—	—	—	—	—	1
<b>Fuel System</b>							
Fuel Capacity (U.S. Gallons)	2.8	4.6	4.6	4.6	4.6	5.8	5.8
Operation Run Time/Full Load	5 hrs.	5 hrs.	6 hrs.	4 hrs.	4 hrs.	4 hrs.	4 hrs.
Operation Run Time/Half Load	8 hrs.	9 hrs.	10 hrs.	7 hrs.	7 hrs.	6 hrs.	6 hrs.
<b>Dimensions</b>							
Length	25.5"	28"	28"	28"	28"	30.5"	30"
Width	17.5"	20.5"	20.5"	20.5"	20.5"	21.5"	23"
Height	18.0"	22.25"	22.25"	22.25"	22.25"	21"	28.5"
Weight (Net Dry)	112 lbs	170 lbs	170 lbs	192 lbs	206 lbs	270 lbs	270 lbs

**NOTES:** ① Batteries are not included or available on any Electric Start Models.

② Proper engine maintenance is required. Engine warranty per manufacturer.

Baldor reserves the right to implement specifications or design changes without notice.

**WARNING:** Do not connect generator to any building's electrical system unless a disconnect switch has been installed. Follow local and national electrical codes for proper installation.

### Powerchief® Maximum Value Portable Generators



PC60H

### 1,100 through 9,000 Watts

Baldor Generators are known for their quality and performance and the Powerchief® Series provides what you've come to expect in a maximum value generator. All Powerchief generators feature industrial grade engines, a Baldor generator with 3-year limited warranty, Switchless Full Pow'R and Focal Vibration System.

Catalog Number	Max. Watts	Cont. Watts	Fuel Capacity	Engine	Engine Hp	Volts (60 Hertz)	List Price	Mult. Sym.	Approx. Shp. Wgt.
PC11R	1100	900	4.2 Qt.	Robin	2.0	120 VAC/12 VDC	1,054	PG	65
PC30H	3000	2500	3.8 Qt.	Honda	5.5	120 VAC	1,345	PG	108
PC40H	4000	3500	4.6 Gal.	Honda	8.0	120/240 VAC	1,743	PG	171
PC50H	5000	4000	4.6 Gal.	Honda	9.0	120/240 VAC	1,965	PG	185
PC60H	6000	5000	4.6 Gal.	Honda	11.0	120/240 VAC	2,179	PG	211
PC60HE ①	6000	5000	4.6 Gal.	Honda	11.0	120/240 VAC	2,729	PG	217
PC90HE ①	9000	8000	4.6 Gal.	Honda	16.6	120/240 VAC	3,269	PG	270

**NOTES:** ① Batteries are not included or available on any Electric Start Models.

Baldor reserves the right to implement specifications or design changes without notice.

**WARNING:** Do not connect generator to any building's electrical system unless a disconnect switch has been installed. Follow local and national electrical codes for proper installation.

### Powerchief® Generators with Inverter Technology



PC32Ri

### 1,650 through 4,300 Watts

Baldor Powerchief inverter generators are powered by air-cooled, 4-Cycle, industrial gasoline engines. An inverter converts DC current into standard household AC current. This new technology now allows inverters to be highly efficient in conjunction with a generator. High quality electrical output power is comparable to public utility sources. Powerchief inverter generators are ideal for powering computers & equipment sensitive to voltage surges.

#### Features:

- Very Low Noise - quieter operation
- Compact & Lightweight - greater efficiency allows reduction in overall size & weight
- Low Fuel Consumption - inverter technology, combined with throttle control, automatically adjusts engine speed to electrical load, reducing fuel use

Catalog Number	Max. Watts	Cont. Watts	Fuel Capacity	Engine	Engine Hp	Volts	List Price	Mult. Sym.	Approx. Shpg. Wgt.
PC17RI	1650	1400	4.2 Qt.	Robin	2.4	120 VAC/12 VDC	1,737	PG	55
PC32RI ①	3200	2800	3.7 Gal.	Robin	7.0	120 VAC/12 VDC	3,048	PG	140
PC43RI ①	4300	3800	4.2 Gal.	Robin	9.0	120 VAC/12 VDC	3,905	PG	179

**NOTES:** ① PC32Ri and PC43Ri are electric start.

## Baldor Powerchief Portable Generator Specifications

Powerchief Model	PC11R	PC30H	PC40H	PC50H	PC60H	PC60HE	PC90HE	PC17Ri*	PC32Ri*	PC43Ri*
<b>Features</b>										
Switchless Full Pow'R	—	—	std	std	std	std	std	—	—	—
DC Circuit Breakers	std	—	—	—	—	—	—	std	std	std
AC Circuit Breakers	std	std	std	std	std	std	std	std	std	std
Low Oil Shutdown	std	std	std	std	std	std	std	std	std	std
Spark Arrestor Muffler	std	std	std	std	std	std	std	std	std	std
Extended Run Fuel Tank	—	—	std	std	std	std	std	—	std	std
Tubular Roll Cage	—	std	std	std	std	std	std	—	—	—
Neoprene Isolators	std	std	std	std	std	std	std	std	std	std
Focal Vibration System (FVS)	—	—	std	std	std	std	std	—	—	—
3-Year Warranty ②	std	std	std	std	std	std	std	std	std	std
<b>Engine Model</b>										
	Robin	Honda	Honda	Honda	Honda	Honda	Honda	Robin	Robin	Robin
Horsepower	2.4	5.5	8	9	11	11	16.6	2.4	7	9
Cylinder (S)	1	1	1	1	1	1	2	1	1	1
Displacement-CC	85.8	163	242	270	337	337	614	85.8	211	265
Starting Systems ①	Recoil	Recoil	Recoil	Recoil	Recoil	12 Volt with Recoil	12 Volt with Recoil	Recoil	12 Volt with Recoil	12 Volt with Recoil
<b>Rating</b>										
Max Rating	1100W	3000W	4000W	5000W	6000W	6000W	9000W	1650W	3200W	4300W
Rated	900W	2500W	3500W	4000W	5000W	5000W	8000W	1400W	2800W	3800W
Volts	120VAC/ 12VDC	120VAC	120/240VAC	120/240VAC	120/240VAC	120/240VAC	120/240VAC	120VAC/ 12VDC	120VAC/ 12VDC	120VAC/ 12VDC
Amps	9.1	20.8	29.2/14.6	33.3/16.7	41.6/20.8	41.6/20.8	66.7/33.4	13.7	23.3	31.7
dbA (Ave) @ 7 meters	59	70	73	73	72	72	78	59	58	62
<b>Receptacles</b>										
Straight (515R) 120V, 15A, Single	—	1	—	—	—	—	—	—	—	—
Straight (515R) 120V, 15A, Duplex	—	1	—	—	—	—	—	—	—	—
Straight (520R GFCI) 120V, 20A, Duplex	1	—	1	1	1	1	1	1	1	1
Twist Lock (L530R) 120V, 30A	—	—	1	1	1	1	1	—	1	1
Twist Lock (L1430R) 120/240V, 30A	—	—	1	1	1	1	1	—	—	—
<b>Fuel System</b>										
Fuel Capacity (U.S. Gallons)	4.2 qt	3.8 qt	4.6 gal	4.6 gal	4.6 gal	4.6 gal	4.6 gal	4.2 qt	3.7 gal	4.2 gal
Operational Run Time/Full Load	2.5 hr	1.5 hr	4 hr	6 hr	4 hr	4 hr	3.2 hr	2.4 hr	5 hr	3.9 hr
Operational Run Time/Half Load	4.2 hr	2.3 hr	7 hr	10 hr	7 hr	7 hr	5.6 hr	4 hr	8.4 hr	6.6 hr
<b>Dimensions</b>										
Length	19.3"	22"	28"	28"	28"	28"	30.5"	19.3"	21"	22.8"
Width	11.6"	15.75"	20.5"	20.5"	20.5"	20.5"	21.5"	11.6"	18.9"	20.7"
Height	17.5"	16.5"	22.25"	22.25"	22.25"	22.25"	21"	17.5"	22.9"	24.3"
Weight (Net Dry)	55 lbs	94 lbs	162 lbs	162 lbs	187 lbs	193 lbs	258 lbs	45 lbs	130 lbs	143 lbs

**NOTES:** \* Inverter generator.

① Batteries are not included or available on any Electric Start Models.

② Proper engine maintenance is required. Engine warranty per manufacturer.

Baldor reserves the right to implement specifications or design changes without notice.

**WARNING:** Do not connect generator to any building's electrical system unless a disconnect switch has been installed. Follow local and national electrical codes for proper installation.

### Diesel Portable Generators



DG3E

### 3,300 through 6,000 Watts

Baldor diesel generators are designed for rugged applications where diesel fuel is readily available. Whether your application is industrial, farm or rental/construction your Baldor diesel generator is built to deliver dependable quality portable power. These generators are fully equipped with a volt meter and hour meter and like the rest of Baldor generators they are backed by a 3-year limited warranty.

Catalog Number	Max. Watts	Cont. Watts	Fuel Capacity	Engine	Engine Hp	Volts (60 Hertz)	List Price	Mult. Sym.	Approx. Shp. Wgt.
DG3E ①	3300	3000	2.75 Gal	Hatz	5.5	120/240 VAC	3,582	PG	196
DG6E ①	6000	5500	4.6 Gal	Hatz	9.9	120/240 VAC	4,995	PG	273

**NOTES:** ① Batteries are not included or available on any Electric Start Models.

Baldor reserves the right to implement specifications or design changes without notice.

**WARNING:** Do not connect generator to any building's electrical system unless a disconnect switch has been installed. Follow local and national electrical codes for proper installation.

### Portable Generator Accessories



Baldor offers several accessories for portable generators to enhance portability and easy connection when standby power is needed. Dolly kits are available in 2 or 4 wheel designs and are easy to install. Transfer switches come with indoor rated manual transfer switch, installed circuit breakers, and 25' extension cord ready to connect the transfer switch and generator. Power inlet box kits are also available to provide an outdoor rated connection point for the generator.

Catalog Number	Description	Features	Available for Models	List Price	Mult. Sym.	Approx. Shp. Wgt.
PGD2	2 Wheel Dolly Kit	Two 10" Pneumatic Wheels, Fold Down Handles, Cable Storage Hanger, and Mounting Hardware	Premier, Powerchief and Diesel Models 4,000 to 9,000 Watt	223	G8	20
PGD4	4 Wheel Dolly Kit	Four 10" Pneumatic Wheels, Fold Down Handles, Cable Storage Hanger, and Mounting Hardware	Premier, Powerchief and Diesel Models 4,000 to 11,000 Watt	292	G8	26
GTK30A10	Manual Transfer Switch Kit - 10 Circuit	Indoor Rated Transfer Switch and 25' Generator Ext Cord with L1430 Conn. Transfer Switch Includes circuit breakers, 3 - 15A 1-Pole, 3 - 20A 1-Pole, 1 - 20A 2-Pole, 1 30A 2-Pole, 1 30A 2-Pole Generator Main and 1 60A 2-Pole Main.	Premier, Powerchief and Diesel Models 4,000 to 11,000 Watt	670	G8	37
GTK50A12	Manual Transfer Switch Kit - 12 Circuit	Indoor Rated Transfer Switch and 25' Generator Ext Cord with CS6364/5 Conn. Transfer Switch Includes circuit breakers, 3 - 15A 1-Pole, 3 - 20A 1-Pole, 1 - 20A 2-Pole, 1 30A 2-Pole, 1 50A 2-Pole Generator Main and 1 60A 2-Pole Main.	Premier, Models 10,000 to 11,000 Watt	905	G8	45
GTK30PBK	Power Inlet Box Kit	Outdoor Rated Power Inlet Box with 30 Amp L1430 Plug for connection to Generator Extension Cord. Includes Mating Plug for Transfer Switch connection.	GTK30A10 Transfer Switch	125	G8	4
GTK50PBK	Power Inlet Box Kit	Outdoor Rated Power Inlet Box with 50 Amp CS5365 Plug for connection to Generator Extension Cord. Includes Mating Plug for Transfer Switch connection.	GTK50A12 Transfer Switch	150	G8	5

Generators and Gear Products

Motor Accessories

Grinders

Generators

Servo Motors and Controls

Mod Express

Baldor Education Workshops

Warranties and Sales Policies

Cross Reference and Index

Baldor Sales Offices



## Baldor Diesel Portable Generator Specifications

Portable Diesel Model	DG3E	DG6E
<b>Features</b>		
Switchless Full Pow'R	std	std
AC Voltmeter	std	std
Hourmeter	std	std
AC Circuit Breakers	std	std
Low Oil Shutdown	std	std
Spark Arrestor Muffler	std	std
Extended Run Fuel Tank	std	std
Tubular Roll Cage	std	std
Neoprene Isolators	std	std
Focal Vibration System (FVS)	std	std
3-Year Warranty ②	std	std
<b>Engine Model</b>		
	Hatz 1B30	Hatz 1B40
Horsepower	5.5	9.9
Cylinder (S)	1	1
Displacement - CC	346	461.9
Starting Systems ①	12 Volt with Recoil	12 Volt with Recoil
<b>Rating</b>		
Max Rating	3300	6000
Rated	3000	5500
Volts	120/240 VAC	120/240 VAC
Amps	25/12.5	50/25
dB(A) (Ave) @ 7 meters	74	76
<b>Receptacles</b>		
Straight (520R GFCI) 120V, 20A, Duplex	1	2
Twist Lock (L530R) 120V, 30A	1	1
Twist Lock (L1420R) 120/240V, 20A	1	—
Twist Lock (L1430R) 120/240V, 30A	—	1
<b>Fuel System</b>		
Fuel Capacity (U.S. Gallons)	2.75	4.6
Operational Run Time/Full Load	5.4 hr	4.6 hr
Operational Run Time/Half Load	9 hr	6 hr
<b>Dimensions</b>		
Length	24.5"	32"
Width	18.5"	20.5"
Height	21.75"	23.75"
Weight (Net Dry)	172 lbs	246 lbs

- NOTES:** ① Batteries are not included or available on any Electric Start Models.  
 ② Proper engine maintenance is required. Engine warranty per manufacturer.  
 Baldor reserves the right to implement specifications or design changes without notice.
- WARNING:** Do not connect generator to any building's electrical system unless a disconnect switch has been installed.  
 Follow local and national electrical codes for proper installation.

 Gearmotors and  
Gear Products

 Motor  
Accessories

Grinders

Generators

 Servo Motors  
and Controls

Mod Express

 Baldor Education  
Workshops

 Warranties and  
Sales Policies

 Cross Reference  
and Index

 Baldor  
Sales Offices

# Full Range of Motion



Baldor's full range of motion control products provide unmatched quality, high performance, ease of use and superior reliability. From controls, drives and motors, to our Mint<sup>®</sup> programming language and Ethernet capability, Baldor products install and operate seamlessly with each other.

Simple applications or the most complex, available from stock or custom made, Baldor is your one source for a full range of motion products.

[baldor.com](http://baldor.com)

- Easy to Use
- Unmatched Quality
- Superior Reliability
- Quickest Delivery Available

# BALDOR

**For information about Servo Motors and Controls,  
Contact your local Baldor•Reliance District Office**

**Modification Number****Motor Mod Express®****Page No.**

<b>M1</b>	<b>Balance</b>	.....	418
	M1A	Dynamic Balance of Rotors	
<b>M2</b>	<b>Bearings</b>	.....	418
	M2A	Sealed or Double Shielded	
	M2B	Ball to Roller	
	M2C	Bearing Thermocouples	
	M2D	Bearing RTD'S	
	M2E	Add Double Sealed Bearings up to a 365T Frame	
	M2F	Add Ceramic Bearings NEMA 254T through NEMA 565T	
<b>M3</b>	<b>Brake Motors</b>	.....	420
	M3A	Convert Standard to Weatherproof	
	M3B	Convert to Vertical Mounting	
	M3C	Add Larger or Smaller Brake	
	M3D	Electrical Modifications	
	M3E	Add a Double C-Face or Coupler Brake	
	M3F	Remove Brake from a Brake Motor	
<b>M4</b>	<b>Conduit Box</b>	.....	422
	M4A	Tap or Provide Additional Lead Hole	
	M4B	Rotate Conduit Box Lead Opening	
	M4C	Add Second Oversized Cast Iron Conduit box	
	M4D	Add Small Accessory Box	
	M4E	Add 3.5" Round Accessory box	
	M4F	Replace Die Cast Aluminum Conduit Box	
<b>M5</b>	<b>Cord</b>	.....	423
	M5A	Install Line Cord in Conduit Box or Terminal Panel	
	M5B	Install 6 Foot, 3 Conductor, Type SO Cord	
<b>M6</b>	<b>Switch</b>	.....	424
	M6A	Install Switch, Cord and Plug	
	M6B	Change from Mechanical to Electronic Switch	
<b>M7</b>	<b>Drains</b>	.....	424
	M7A	Add Condensation Drain Holes	
	M7B	Install "T" Drain	
	M7C	Close Standard Condensation Drain Holes	
	M7D	Add Breather Drain to Cast Iron Explosion Proof Motors	
<b>M8</b>	<b>Dripcovers</b>	.....	425
	M8A	Install Dripcover on TEFC or ODP	
<b>M9</b>	<b>Encapsulation</b>	.....	426
	M9A	Encapsulate Winding Endturns	
<b>M10</b>	<b>Leads</b>	.....	426
	M10A	Install Terminal Lugs	
	M10B	Reconnect from Nine Leads to Three Leads	
	M10C	Re-mark Leads	
	M10D	Longer Leads	
<b>M11</b>	<b>Lubrication</b>	.....	427
	M11A	Install Low Temperature Bearing Lubricant	
	M11B	Add High Temperature or Customer Supplied Grease	
<b>M12</b>	<b>Seals</b>	.....	428
	M12A	Install Oil Seals	
	M12B	Install Inpro/Seal®	

<b>M13</b>	<b>Mountings</b>	.....	429
	M13A	Add Rigid Base	
	M13B	Install NEMA C-Face - Steel Band Construction	
	M13C	Install NEMA C-Face - Cast Iron Construction	
	M13D	Add NEMA D-Flange	
	M13E	Remove Rigid Base	
	M13F	Convert to F-2, Sidewall or Ceiling Mount	
	M13G	Install NEMA C Face to Explosion Proof Motors	
	M13H	Mount Dust Control Unit on Grinders	
	M13I	Mount Grinder or Buffer onto a Pedestal and Package for Shipment	
	M13J	Add Adjustable Bases	
	<b>Mounting Diagrams</b>	.....	433
<b>M14</b>	<b>Export Packaging</b>	.....	434
	M14A	Box, Package and Crate	
<b>M15</b>	<b>Nameplate</b>	.....	434
	M15A	Provide Auxiliary Data Plate	
	M15B	Replace/Add Customer Nameplate	
	M15C	Replace with Stainless Steel Nameplate	
	M15D	Add Bearing Data Nameplate	
	M15E	Mail Nameplates To District Offices	
<b>M16</b>	<b>Blowers</b>	.....	435
	M16A	Add Constant Velocity Blower Unit	
	M16B	Convert from a Three Phase to a Single Phase Blower	
<b>M17</b>	<b>Paint</b>	.....	435
	M17A	Paint Motor to Baldor Stock Color	
	M17B	Paint Motor to Customer Color	
<b>M18</b>	<b>Lifting Lugs</b>	.....	436
	M18A	Add Lifting Lugs up to a 326T Frame Size	
<b>M19</b>	<b>Screens</b>	.....	436
	M19A	Add Rodent Screens to Open Drip-Proof Motors	
<b>M20</b>	<b>Hardware</b>	.....	436
	M20A	Exchange Plated Hardware for Stainless Steel	
<b>M21</b>	<b>Space Heaters</b>	.....	437
	M21A	Add Space Heaters to TEFC or Open Motors	
	M21B	Add Conduit Box for Thermostat or Heater Leads	
<b>M22</b>	<b>Textile Service</b>	.....	437
	M22A	Lint Proof Fan Cover	
<b>M23</b>	<b>Thermal Protectors</b>	.....	438
	M23A	Thermostats	
	M23B	Exchange Thermal Overload	
	M23C	Install Resistance Temperatures Detectors	
<b>M24</b>	<b>Thermocouples</b>	.....	439
	M24A	Iron Constantan	
<b>M25</b>	<b>Thermistors</b>	.....	439
	M25A	One or Two Thermistor	
	M25B	Three Thermistors	

Gearmotors and  
Gear Products

Motor  
Accessories

Grinders

Generators

Servo Motors  
and Controls

Mod Express

Baldor Education  
Workshops

Warranties and  
Sales Policies

Cross Reference  
and Index

Baldor  
Sales Offices

### Modification Number

### Motor Mod Express®

### Page No.

<b>M26</b>	<b>Tropicalization</b> .....	440
	M26A Protection of Windings and Mechanical Parts	
<b>M27</b>	<b>Weatherproofing</b> .....	440
	M27A Treatment of Windings and Mechanical Parts	
<b>M28</b>	<b>Marine Motors</b> .....	440
	M28A IEEE 45	
<b>M29</b>	<b>Shaft Modifications</b> .....	441
	M29A Drill and Tap or Flat	
	M29B Convert from TEFC to TEAO	
	M29C Threading	
	M29D Shorten by 1/4" or Reduce Diameter	
	M29E Shaft Grounding Brush	
	M29F Shorten Shafts without Reducing the Overall Dimension	
	M29G Special Shafts	
	M29H Convert to a Longer Shaft up to a 215 Frame	
	M29I Machine Explosion Proof Motor Shafts from T to a U Frame	
<b>M30</b>	<b>Grounding Screws</b> .....	443
	M30A Add Grounding Screw on Endplate	
<b>M31</b>	<b>Tach and Encoder Mounting Kits</b> .....	443
	M31A Add Tach Mounting Kits to DC Motors	
	M31B Add Tach Mounting Kits with BTG1000 Tach	
	M31C Add Tach Mounting Kits with XPY Tach	
	M31D Add Encoder Kit to Inverter Duty Motors	
	M31E Additional Mounted Encoder Option for IDRPM Motors	
<b>M32</b>	<b>Testing</b> .....	444
	M32A Performance Testing Per IEEE 112	
	M32B Witnessed IEEE 112 Performance Testing	
<b>M33</b>	<b>Short Test</b> .....	444
	M33A Short Test	
<b>M34</b>	<b>Worm Gear Modifications</b> .....	445
	M34A Install Bases on Worm Gear Speed Reducers	
	M34B Convert From Single to Double End Output Shaft on Worm Gear Speed Reducers	
	M34C Convert Output Shaft from Left Hand to Right Hand or Vice Versa on 900 or Universal Series Reducers	
	M34D Install Motor on 900 F-Series or Universal STF-Series Reducers	
<b>M35</b>	<b>Terminal Blocks (50Hz, 3 Phase Motors Only)</b> .....	446
	M35A Install Terminal Blocks in Conduit Box and Connect Leads	
<b>M36</b>	<b>Starters</b> .....	446
	M36A Add Magnetic or Manual Starter to Grinder or Buffer – Starter – Single Phase	
	M36B Add Magnetic or Manual Starter to Grinder or Buffer – Starter – Three Phase	
	M36C Add Magnetic or Manual Starter to Grinder or Buffer – Magnetic Starter – Three Phase	
	M36D Overload Protection for Dust Control Unit	
<b>M37</b>	<b>Voltage</b> .....	447
	M37A Change a Grinder Dust Control Unit to a 575 Volt	
<b>M38</b>	<b>Fan Change</b> .....	447
	M38A Change TEFC fan and nameplate for adjustable speed use	

**Motor Mod Express®**

## Ordering Information

To order, specify the catalog number of the stock product and the MOD number. Use the motor discount for the motor. All modifications should be priced using the modification list price, applying the MX multiplier symbol. **Lead times indicated are subject to availability of stock motors in the Fort Smith Warehouse.** Customer will absorb all freight costs when motor is shipped to Fort Smith from field warehouses.

**NOTE: Some modifications do not apply to explosion-proof motors. Contact Baldor for Approval.**

## MOD Express Cancellation Policy

Should it be necessary to cancel an order for a motor after it is modified, but before it ships – a cancellation charge of double the modification charge will be invoiced to the customer. Any MOD order cancelled before modification is completed is subject to 25% cancellation charge.

Once shipped, modified motors returned at purchaser's expense will be invoiced at double the MOD fee plus 10% restock fee.

**NOTE: Mod Express for RPM AC, RPM III DC and V\*S Master is available. Contact your local Baldor•Reliance District Office for details.**

## Note

All lead times indicated are subject to availability of stock motors and parts in the Fort Smith warehouse. Please check stock availability before quoting lead time.

Some conversions may not be allowed if they result in a change of operating parameters that affect efficiency or change the classification of EPAct motors.

Modification prices do not include the cost of the motor, speed reducer, etc.



### Modification Number

### Motor Mod Express® Description and List Price

### Working Days Required

## M1 Balance

### M1A Dynamic Balance of Rotor

Re-balance stock motor to special balance NEMA 42 through 5011L

TWO DAYS

Squirrel Cage Type			
NEMA Frame	Standard Balance	Special Balance	List Price Per Motor
42 - 215T	0.15"/s	0.08"/s	196
254T - 286	0.15"/s	0.08"/s	572
324-364	0.15"/s	0.08"/s	1120
404-447	0.15"/s	0.08"/s	3357
449T	0.15"/s	0.10"/s	5853
5007S- 5011L	0.15"/s	0.10"/s	7317
DC Motor			
56	0.15"/s	0.08"/s	294
182 - 184	0.15"/s	0.08"/s	385
213 - 215	0.15"/s	0.08"/s	415

**NOTE:** Balance units are for velocity in inches per second.  
449T - up, contact your Baldor representative.

## M2 Bearings

### M2A Sealed

NEMA 42 through 215T AC stock motors have double shielded bearings as standard. DC motors have sealed bearings. This modification provides the option of replacing standard bearings in AC motors with sealed bearings.

TWO DAYS

NEMA Frame	List Price Per Motor Sealed
42	141
48	141
56	141
143 - 145T	146
182 - 184T	158
213 - 215T	170

**NOTE:** The above modifications are not recommended for NEMA 254T and larger TEFC motors. See M2E for 254T and larger ODP. Contract your Baldor Representative.

**Grease fittings will be replaced with slotted head pipe plugs unless otherwise specified.**

### M2B Ball to Roller 1800 RPM or Below

Roller bearings have the capability to handle higher radial loads than ball bearings, but must have minimum radial loads to operate correctly. Roller bearings must only be used in belted loads. they are not suitable for direct-coupled loads. Conversion of any motor to roller bearings should not be performed unless Baldor evaluates the belt load. A roller bearing evaluation sheet must be filled out and calculated by Baldor. Contact your District Office for details. See main catalog sections for motors stocked with roller bearings shown with a "TR" after catalog number (ECP4408TR-4). **Does Not Apply to Explosion-Proof Motors or Super-E Liberator designs that must be built as custom motors.**

CONTACT YOUR BALDOR REPRESENTATIVE

NEMA Frame	List Price Per Motor
445-447T	4468
449T	4468
G5008L - G5012L*	4882

**NOTE:** 447T - 4 pole and slower only. Perform in Charlotte. Contact Baldor for lead time and freight charges back to plant of manufacturing. \* Applicable to Super-E liberator G30 4-pole designs with "L" shaft.

**Modification  
Number**

**Motor Mod Express®  
Description and List Price**

**Working Days  
Required**

**M2 Bearings continued...**

**M2C Add Thermocouple to Bearing Housing**

Iron constantan thermocouples unless specified otherwise.

-CONTACT  
YOUR  
BALDOR  
REPRESENTATIVE

NEMA Frame	List Price Per Bearing
449T - 5011L	1691

**NOTE:** Contact Baldor for lead time and freight charges back to plant of manufacturing.

**M2D Install Bearing Temperature Detector**

100 OHM Platinum Standard. (10 OHM and 120 OHM available)

CONTACT  
YOUR  
BALDOR  
REPRESENTATIVE

NEMA Frame	List Price Per Bearing
449T - 5011L	2826

**NOTE:** Leads for thermocouples or RTD's are brought into separate terminal housing. Price includes adder for M4E. Contact Baldor for lead time and freight charges back to plant of manufacturing.

**M2E Add Double Sealed Bearings NEMA 254T Through NEMA 365T, Open Steel Band Only**

Stock motors have double shielded bearings as standard.

TWO  
DAYS

NEMA Frame	List Price Per Motor Sealed
254T - 256T	459
284T - 286T	508
324T - 326T	605
364T - 365T	724

**NOTE:** Grease fittings will be replaced with slotted head pipe plugs.

**M2F Add Isolated Bearings NEMA 254T through NEMA 365T (SKF Insocoat or equivalent)**

TWO  
DAYS

NEMA Frame	List Price Per Motor Sealed
254T - 256T	1969
284T - 286T	2470
324T - 326T	2754
364T - 365T	2854

Gearmotors and  
Gear Products

Motor  
Accessories

Grinders

Generators

Servo Motors  
and Controls

Mod Express

Baldor Education  
Workshops

Warranties and  
Sales Policies

Cross Reference  
and Index

Baldor  
Sales Offices

**Modification  
Number****Motor Mod Express®  
Description and List Price****Working Days  
Required****M3 Brake Motors****M3A Convert Standard to Weatherproof**

Standard base mounted, TEFC brake motors will be converted to W/P brake motors. Includes replacement of standard brake with W/P brake of the same rating and weatherproofing of motor (See M27).

CONTACT  
YOUR  
BALDOR  
REPRESENTATIVE

Brake Rating lb-ft	List Price Per Motor	Brake Rating lb-ft	List Price Per Motor
3	545	50	1120
6	555	75	1156
10	563	105	1409
15	632	125	3060
25	638	175	2801
35	666	230	3010

**NOTE:** TENV, C-Face brake motors can be converted also. **TEFC C-Face brake motors cannot be converted.**

**M3B Convert to Vertical Mounting**

Standard brake motors will be modified so that brakes will be operable in a brake-below motor or a brake-above motor vertical mounting position.

CONTACT  
YOUR  
BALDOR  
REPRESENTATIVE

Brake Rating lb-ft	List Price Per Motor	Explosion-Proof List Per Motor-Additional
10 - 15	STD	133
25 - 35	309	187
50 - 75	349	211
105	463	279
125 - 175	773	464
230	978	

**NOTE:** Specify if brake is to be above or below motor

**M3C Add Larger or Smaller Brake (All Types)**

Contact Baldor for application assistance.  
\$259 list per brake (plus difference in brake cost)

CONTACT  
YOUR  
BALDOR  
REPRESENTATIVE

**Modification  
Number**

**Motor Mod Express®  
Description and List Price**

**Working Days  
Required**

**M3 Brake Motors continued...**

**M3D**

**Electrical Modifications**

Brake coils will be changed to allow operation from different voltage supplies for both 50 and 60 hertz AC or from DC supplies. External brake coil lead connections will be brought from the brake or from the motor conduit box when necessary in the application. Specify brake lead location, voltage of brake coil, frequency of supply source. (Allow 2 weeks for brake coil delivery.) \$237 List per brake (plus any difference in coil cost).

CONTACT  
YOUR  
BALDOR  
REPRESENTATIVE

**M3E**

**Add a Double C-Face Coupler Brake**

Double C-Face coupler brakes. Mounts on motors with C-Face. Provides NEMA C-Face mounting on brake. Spring set, electrically released.

CONTACT  
YOUR  
BALDOR  
REPRESENTATIVE

Brake Rating lb-ft	Brake Mounting	List Price Per Motor
3	56C	700
6	56C	931
6	145TC	931
10	145TC	1052
15	145TC	2011

**NOTE:** Rating up to a 105 ft. lb. is available. Contact Baldor Representative for approval and delivery time.

**M3F**

**Remove Brake From a Brake Motor**

Brake is removed for customers who will be supplying a brake at their location.

CONTACT  
YOUR  
BALDOR  
REPRESENTATIVE

Brake Rating	List Price Per Motor
All	154

Gearmotors and  
Gear Products

Motor  
Accessories

Grinders

Generators

Servo Motors  
and Controls

Mod Express

Baldor Education  
Workshops

Warranties and  
Sales Policies

Cross Reference  
and Index

Baldor  
Sales Offices

### Modification Number

### Motor Mod Express® Description and List Price

### Working Days Required

## M4 Conduit Box

### M4A Tap or Provide Additional Lead Hole

TWO DAYS

Lead outlet hole in conduit box with dimensions as shown below will be tapped to accept threaded conduit as shown in "Optional threaded hole..." column below. An additional clearance hole or threaded hole may be supplied if specified. Use same list adder for threaded hole.

NEMA Frame	Stock Motor		Optional Threaded Hole For Conduit Size	List Price Per Motor	Oversize Box	List Price Per Motor
	Hole Diameter *	For Conduit Size				
48 - 145T	7/8"	1/2"	3/4"	106	48-56	117
182 - 215T	1-1/16"	3/4"	1"	106	143-145T	131
254 - 256T	1-3/8"	1"	1-1/4"	173	182-184T	145
284 - 326T	2"	1-1/2"	2"	173	213-215T	160
364 - 365T	2-1/2"	2"	2-1/2"	232		
404 - 405T	3"	2 1/2"	3"	252		
444 - 447T	3"	2-1/2"	3"	252		

**NOTE:** \* Stock motor lead holes are not threaded except on Dirty Duty and Chemical Process motors. Extra lead holes do not apply to Explosion Proof motors. If additional hole is needed, specify hole diameter and exact location. Contact your Baldor representative for application assistance.

### M4B Rotate Conduit Box Lead Opening

TWO DAYS

Specify lead opening location facing conduit box  
List Per Motor: \$123

### M4C Add Oversized Cast Iron Conduit Box

TWO DAYS

2100 Cubic Inches

NEMA Frame	List Price Per Motor
449T	249

**NOTE:** Consider use of IEEE 841 motors that have oversized conduit boxes standard.

### M4E Add 3.5" Round Accessory Box

-CONTACT YOUR BALDOR REPRESENTATIVE

12 Cubic Inches - for Thermostat, Heater or accessory leads.

NEMA Frame	List Price Per Motor
5007L - 5011L	1215

**NOTE:** Contact Baldor for lead time and freight charges back to plant of manufacturing.

**M4 Conduit Box continued...**

**M4F**

**Replace Die Cast Aluminum Conduit Box**

Install cast iron conduit box with drilled and tapped entrance hole.

TWO  
DAYS

NEMA Frame	List Price Per Motor
42 - 56	106
143 - 215T	127
254 - 286T	193
324 - 365T	233

**M5 Cord**

**M5A**

**Install Line Cord in Conduit Box or Terminal Panel**

Heavy duty, industrial type SO oil resistant cord with ground will be installed in conduit box or terminal panel. Strain relief included. Plug not included. **Does Not Apply to Explosion-Proof Motors**

TWO  
DAYS

Wire Gauge	Amp Rating		Six Feet or Less List Price	Each Additional Foot to Ten Max. - List Price
	1φ	3φ		
18	10	7	111	8
16	13	10	111	9
14	18	15	129	11
12	25	20	135	12

**NOTE:** Specify voltage and rotation facing drive end of motor.

**M5B**

**Install 6 Foot, 3 Conductor, Type SO Cord With Plug**

With ground plug for 115VAC, single phase only. Not for explosion proof motors.

TWO  
DAYS

Hp	List Price Per Motor
1 and smaller	119

**NOTE:** Advise rotation facing drive end of motor

Gearmotors and  
Gear Products

Motor  
Accessories

Grinders

Generators

Servo Motors  
and Controls

Mod Express

Baldor Education  
Workshops

Warranties and  
Sales Policies

Cross Reference  
and Index

Baldor  
Sales Offices



### Modification Number

### Motor Mod Express® Description and List Price

### Working Days Required

## M6 Switch

### M6A Install Switch, Cord and Plug (Single Phase Only)

TWO DAYS

Includes installation of cord with ground prong and two pole single throw switch. **Does Not Apply to Explosion-Proof Motors**

Hp	Rating	List Price per Motor
Thru 2	16-20A/115V or 230V	251

**NOTE:** Advise voltage and rotation facing drive end of motor

### M6C Change from Mechanical to Electronic (Single Phase Only)

TWO DAYS

UP to 2 HP (Includes price of switch). Remove mechanical switch from inside motor and install electronic switch in motor conduit box. Contact Baldor for assistance. List Each: \$263

**Does Not Apply to Explosion-Proof Motors**

## M7 Drains

### M7A Add Condensation Drain Holes

TWO DAYS

A maximum of two additional drilled holes will be made in both endplates of 215T frame and smaller TEFC motors.

A maximum of one additional cross-drilled drain fitting will be installed in both endplates of 254T frame and larger TEFC motors.

**Does Not Apply to Explosion-Proof Motors**

NEMA Frame	List Price Per Motor
215T and Smaller	187
254T - 447T	255
449T - 5011L	624

**NOTE:** Indicate position of drain holes in each endplate.

### M7B Install "T" Drain

TWO DAYS

Install one stainless steel "T" drain in each end bracket in existing hole.

**Does Not Apply to Explosion-Proof Motors**

NEMA Frame	List Price Per Motor
254T - 5011L	487

**Modification  
Number**

**Motor Mod Express®  
Description and List Price**

**Working Days  
Required**

**M7 Drains continued...**

**M7C Close Standard Condensation Drain Holes.**

Close existing drain holes with plugs.

**Does Not Apply to Explosion-Proof Motors**

TWO  
DAYS

NEMA Frame	List Price Per Motor
215T and Smaller	155
254T - 5011L	187

**M7D Add Breather Drains to Cast Iron Explosion-Proof Motor.**

TWO  
DAYS

NEMA Frame	List Price Per Motor
48 - 215T	328
254 - 449T	379

**M8 Dripcovers**

**M8A Install Dripcover on TEFC or ODP**

TWO  
DAYS

NEMA Frame	List Price Per Motor ODP or TEFC
48 - 145T	123
182 - 184T	132
213 - 215T	148
254 - 256T	170
284 - 286T	205
324 - 326T	227
364 - 365T	411
404-405T (Nema Frame)	411

Gearmotors and  
Gear Products

Motor  
Accessories

Grinders

Generators

Servo Motors  
and Controls

Mod Express

Baldor Education  
Workshops

Warranties and  
Sales Policies

Cross Reference  
and Index

Baldor  
Sales Offices

### Modification Number

### Motor Mod Express® Description and List Price

### Working Days Required

## M9 Encapsulation

### M9A Encapsulate Winding Endturns for Additional Environmental Protection.

TWO DAYS

Endturns are coated with Dolphon® CB-1128, flexible motor encapsulation component.

NEMA Frame	List Price Per Motor
48 - 145T	268
182 - 184T	303
213 - 215T	392
254 - 256T	499
284 - 286T	539
324 - 326T	604
364 - 365T	740
404 - 405T	847
444 - 449T	977
449T - 5000 - up	(Motor has VPI epoxy varnish ENCAP NOT NEEDED)

## M10 Leads

### M10A Install Terminal Lugs

TWO DAYS

Specify type of lug. Subject to availability

NEMA Frame	List Price Per Motor
215T and Smaller	123
254 - 326T	178
364 - 447T	224
449T - 5011L	279

### M10B Reconnect Motor from Nine Leads to Three, Specify Voltage When Ordering

TWO DAYS

NEMA Frame	List Price Per Motor
42 - 145T	135
182 - 184T	211
213 - 215T	280
254 - 256T	315
284 - 286T	415
324 - 326T	525

**NOTE:** On explosion proof, leads are connected in conduit box.

**Modification  
Number**

**Motor Mod Express®  
Description and List Price**

**Working Days  
Required**

**M10 Leads continued...**

**M10C Re-Mark Leads**

Using Cloth Markers - Specify Markings, Letters or Numbers  
Any Size - List Per Motor: \$135

TWO  
DAYS

**M10D Longer Leads, Total Length Up To:**

NEMA Frame	List Price		
	18 Inches	24 Inches	36 Inches
42-145T	274	340	378
182-184T	287	355	389
213-215T	303	370	408

TWO  
DAYS

**Does Not Apply to Explosion-Proof Motors**

**M11 Lubrication**

**M11A Install Low Temperature  
Lubricant in Bearings**

Bearing grease may be changed to allow an operating temperature range for bearings of -55° to +200°F. Standard grease is Exxon POLYREX®EM, with bearing operating temperature range of -15° to +250°F.

TWO  
DAYS

NEMA Frame	List Price Per Motor
48	106
56 - 145T	113
182 - 184T	121
213 - 215T	126
254 - 256T	161
284 - 286T	178
324 - 326T	251
364 - 365T	268
404 - 405T	427
444 - 447T	589

**NOTE:** Single shield or open bearing only.  
Low temperature operation below -25C(-13F)

**Does Not Apply to Explosion-Proof Motors**

Gearmotors and  
Gear Products

Motor  
Accessories

Grinders

Generators

Servo Motors  
and Controls

Mod Express

Baldor Education  
Workshops

Warranties and  
Sales Policies

Cross Reference  
and Index

Baldor  
Sales Offices

### Modification Number

### Motor Mod Express® Description and List Price

### Working Days Required

## M11 Lubrication continued...

### M11B Add High Temperature or Customer Supplied Grease

TWO DAYS

Bearing grease may be changed to allow an operating temperature range above the standard grease, which is Exxon POLYREX®EM, with bearing operating temperature range of -15° to +250°F. Motors must be studied by Fort Smith application engineering for acceptable temperature rise above 40°C ambient.

Customer-supplied grease must be suitable for the motor application and approved by Fort Smith application engineering. Grease must be accompanied with MSDS data sheets.

**Does Not Apply to Explosion-Proof Motors**

NEMA Frame	List Price Per Motor
48	106
56 - 145T	113
182 - 184T	121
213 - 215T	126
254 - 256T	161
284 - 286T	178
324 - 326T	251
364 - 365T	268
404 - 405T	427
444 - 447T	589

**NOTE:** Contact your Baldor representative to discuss application prior to ordering.

## M12 Seals

### M12A Install Oil Seals

CONTACT YOUR BALDOR REPRESENTATIVE

NEMA Frame	List Price Each
56	287
143T - 145T	287
182T - 184T	318
213T - 215T	350
254T - 256T	483
284T - 286T	566
324T - 326T	640
364T - 365T	805

**NOTE:** Contact your Baldor representative for larger frame sizes.

**Does Not Apply to Explosion-Proof Motors**

**M12 Seals continued...**

**M12B Install Inpro/Seal® Drive End Only**

FOUR  
DAYS

Contact Baldor for Other Frame Sizes.

**NOTE:** Contact Baldor for opposite drive end installation.

**Does Not Apply to Explosion-Proof Motors**

NEMA Frame	List Price Each
143T-215T.	901
254-256T	1129
284-286T	1203
324-326T	1277
364-365T	1465
404-405T	1538
445-449T	1874
5007L - 5011L	2208

**M13 Mountings**

**M13A Add Rigid Base**

TWO  
DAYS

Weld stamped steel base to steel band motors.

Not available if conversion results in motors that fall under EPAAct requirements.

NEMA Frame	List Price Per Motor
42 - 48	141
56	144
143 - 145T	144
182 - 184T	175
213 - 215T	211

**NOTE:** NOT available for cast iron motors.

**M13B Install NEMA C-Face Steel Band Motor Construction**

TWO  
DAYS

Add to rigid base mounted motor. Not for explosion proof motors.

NEMA Frame	List Price Per Motor
42, 48 & 56	185
143 - 145T (1)	185
182 - 184T (1)	203
213 - 215T (1)	246
254 - 256T (2)	469
284 - 286T (2)	636
324 - 326T (2)	832

284T &  
LARGER  
SUBJECT TO  
CASTING  
AVAILABILITY

**NOTE:** (1) These motors will have a non-NEMA BA dimension when C-Face is added.

(2) Applies to ODP only.

**Open motors having type numbers beginning with "34" cannot be modified to C-Face. Contact your Baldor representative for details.**

Gearmotors and  
Gear Products

Motor  
Accessories

Grinders

Generators

Servo Motors  
and Controls

Mod Express

Baldor Education  
Workshops

Warranties and  
Sales Policies

Cross Reference  
and Index

Baldor  
Sales Offices



### Modification Number

### Motor Mod Express® Description and List Price

### Working Days Required

## M13 Mountings continued...

### M13C Install NEMA C-Face - Cast Iron Construction

TWO DAYS

Or Install Cast Iron Endplate where aluminum die cast parts are supplied as standard. **Does Not Apply to Explosion-Proof Motors**

NEMA Frame	List Addition Each End	
	NEMA C-Face Price	Endplate Price
48 & 56	196	127
143 - 145T (1)	196	133
182 - 184T (1)	237	141
213 - 215T (1)	272	155
254 - 256T	604	(2)
284 - 286T	832	(2)
324 - 326T	900	(2)
364 - 365T	971	(2)
404 - 405T	1212	(2)
444 - 445T	1454	(2)
447 - 449T	1454	(2)

**NOTE:** (1) These motors will have a non-NEMA BA dimension when C-Face is added. Specify C-face or Standard horizontal endplate.

(2) Motors have Cast Iron endplates as standard.

**Westville open motors cannot be modified to C-Face. IEEE841 motors cannot be modified to C-Face.**

Contact Baldor.

### M13D Add NEMA D-Flange

Some motors may be converted to D-Flange mounting. Contact your Baldor representative for availability and pricing.

**NOTE:** Some metric flanges are available. Contact your Baldor representative.

**Does Not Apply to Explosion-Proof Motors**

CONTACT YOUR BALDOR REPRESENTATIVE

Baldor Type	NEMA Frame	Open	TEFC	List Price Per Motor
35	56-145T	35EP1604A01	35EP1506A01	335
36	182-4T	36EP1405A09	36EP1304A01 +++	348
306	182-4T	None	36EP1304A01 +++	348
309	254-5U, T	None	09EP1500A04 **	900
310	284-6U, T	None	10EP1502A01	1004
42	324-6U, T	42EP1601A01	None	830
312	324-6U, T	None	12EP1501A03	1143
314	364-5U, T	14EP1601AA01	14EP1705A01	1316
316	404-5U, T	16EP1601A01	16EP1501A01	1696
318	444-5U, T	18EP1600A01	18EP1500A01	2492

**NOTE:** \*\* Must start with motor that already has C-Face on it

+++ These require a special machined D-flange, available only through Mod Express

### M13E Remove Rigid Base From Foot Mounted Steel Band Motors.

TWO DAYS

NEMA Frame	List Price Per Motor	NEMA Frame	List Price Per Motor
42 - 48	188	213 - 215T	313
56	193	254 - 256T	445
143 - 145T	193	284 - 286T	505
182 - 184T	235	324 - 326T	620

**NOTE:** Bases cannot be removed from explosion proof motors.

**M13 Mountings continued...**

**M13F Convert to F-2, Sidewall, or Ceiling Mount**

THREE  
DAYS

AC motors and DC motors through 10 Hp

Consists of repositioning endplate vents, condensation drains, and where applicable, the conduit box to positions shown in chart on page 433.

**Does Not Apply to Explosion-Proof Motors**

NEMA Frame	F2		C1 W1		C2 W2		W4	W5	W3	W8	List Price Per Motor
	ODP	TEFC	ODP	TEFC	ODP	TEFC	W7	W6	W6		
UP TO 184T	Yes	Yes	Yes	Yes	Yes	Yes	Yes	Yes	Yes	Yes	280
213 - 215T	Yes	Yes	Yes	Yes	Yes	Yes	Yes	Yes	Yes	Yes	306
254 - 326T	No	Yes	No	Yes	Yes	Yes	No	Yes	Yes	Yes	365
365T - 447T	Yes	Yes	No	Yes	Yes	Yes	No	Yes	Yes	Yes	470
449T - 5011L		Yes		Yes		Yes		Yes		Yes	864

**NOTE:** Specify mounting style from the drawings on page 433. Open slotted band motors are not convertible to "C" or "W" mountings. 09 or larger with CB @ 12 o'clock location requires 3 days lead time. DC motors would be converted at the manufacturing plant. Contact scheduling to check availability of production motors or to ship motor from Fort Smith for conversion. Contact your Baldor representative.

**M13G Add C-Face to Explosion Proof Motors**

THREE  
DAYS

Only available on NEMA frames shown below.

NEMA Frame	List Price Per Motor
56	225
143 - 145T	225
284 - 286T	1628
324 - 326T	2227
364 - 365T	2492
404 - 405T	2940

**NOTE:** Any other frame size must be built as a custom item.

**M13H Mount Dust Control Unit on Grinders**

TWO  
DAYS

**Does Not Include Dust Control Unit**

Wheel Size	List Price Per Grinder
All	178

Gearmotors and  
Gear Products

Motor  
Accessories

Grinders

Generators

Servo Motors  
and Controls

Mod Express

Baldor Education  
Workshops

Warranties and  
Sales Policies

Cross Reference  
and Index

Baldor  
Sales Offices

**Modification  
Number****Motor Mod Express®  
Description and List Price****Working Days  
Required****M13 Mountings continued...****M131 Mount Grinder or Buffer onto a Pedestal and  
Package for Shipment**TWO  
DAYS

Wheel Size	List Price Per Grinder or Buffer
All	178

**M13J ADD ADJUSTABLE MOTOR BASES**

Adjustable motor bases bolted to fixed base on stock motor before shipping. NEMA 215T and smaller bases feature one adjusting screw. Bases on NEMA 254T frame and larger feature two adjusting screws.

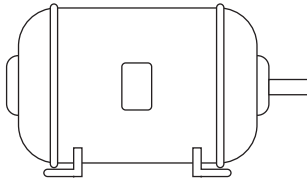
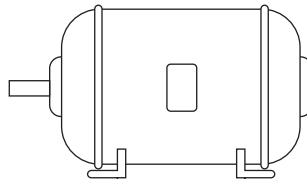
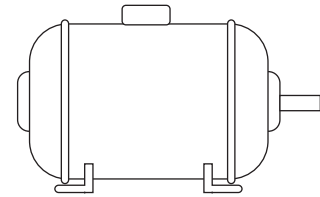
TWO  
DAYS

NEMA Frame	List Price Per Motor
48 - 56	154
143T - 145T	176
182T - 184T	184
213T - 215T	199
254T - 256T	319
284T - 286T	348
324T - 326T	477
364T - 365T	603
404T - 405T	824
444T - 445T	974
447T - 449T	1121

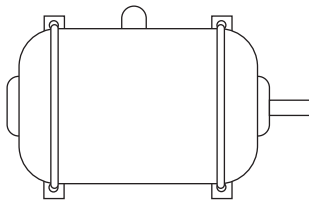
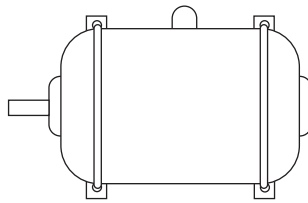
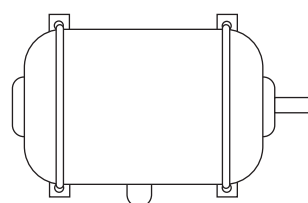
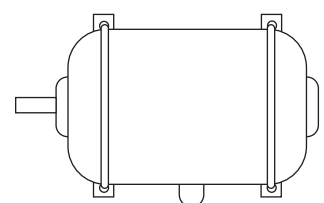
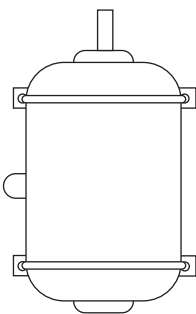
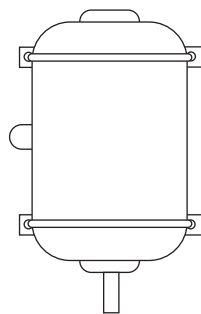
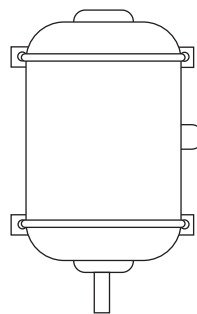
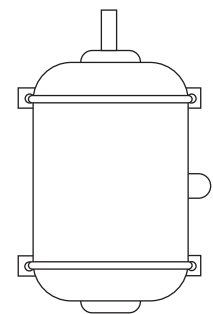
**NOTE:** Bases not suitable for vertical mounting.

## Motor Mod Express® Mounting Configurations

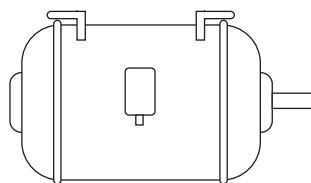
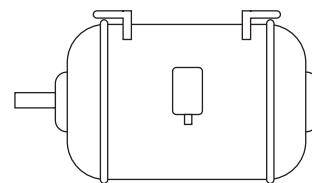
### Floor Mountings

**Assembly F-1****Assembly F-2****Assembly F-3**

### Wall Mountings

**Assembly W-1****Assembly W-2****Assembly W-3****Assembly W-4****Assembly W-5****Assembly W-6****Assembly W-7****Assembly W-8**

### Ceiling Mountings

**Assembly C-1****Assembly C-2**

**Modification  
Number****Motor Mod Express®  
Description and List Price****Working Days  
Required****M14 Export Packaging**

**M14A**      **Box, Package and Crate**      FOUR  
For under-deck exporting      DAYS

NEMA Frame	List Price Each
254 - 286T	678
324 - 365T	1012
405 - 447T	1348
449 - 5011L	3235

**M15 Nameplate**

**M15A**      **Provide Auxiliary Data Plate for Remote Mounting**      TWO  
Extra nameplate is packed with motor, not mounted.      DAYS  
List Per Motor: \$103

**M15B**      **Replace/Add Customer Nameplate**      TWO  
Add Customer Part Number and/or other changes such as voltage,      DAYS  
hertz, etc.  
List Per Motor: \$123

**M15C**      **Replace with Stainless Steel Nameplate**      TWO  
List Per Motor \$123      DAYS

**M15D**      **Add Bearing Data Nameplate**      TWO  
List Per Motor \$123      DAYS  
**NOTE:** Does Not Apply to Explosion-Proof Motors

**M15E**      **Mail Out Nameplates to District Offices**  
**(All CSA and ULR markings are removed on nameplates**  
**ordered as a mail out order)**  
**No Explosion Proof Nameplates (No Exceptions!)**  
Order minimum charge of \$25 Add \$1.50 for each additional nameplate.  
**NOTE:** No charge orders only accepted if we are correcting our error.  
Nameplates for Explosion-proof motors will not be mailed out, no exceptions.

**M15F**      **Mark Nameplate with CE**      TWO  
List Per Motor \$123      DAYS

**Modification  
Number**

**Motor Mod Express®  
Description and List Price**

**Working Days  
Required**

**M16 Blowers**

**M16A Add Constant Velocity Blower Unit**

Contact Baldor for details.

TWO  
DAYS

**M16B Convert from a 3 Phase to a Single Phase Blower**

TWO  
DAYS

NEMA Frame	List Price Per Motor
All	192

**M17 Paint**

**M17A Paint Motor to Baldor Stock Paint Color**

Baldor stock colors are: Dark Machinery Gray, Reliance Blue/Green, Fire Engine Red, Vista Green, Medium Royal Blue, Silver/Grey Hamertone and Copper/Bronze. All are lacquer base.

**All orders that call for Epoxy Paint require an additional day to allow for complete drying of paint.**

TWO  
DAYS

NEMA Frame	List Price Per Motor
42 - 215T	123
254 - 447T	487
449T - 5011L	971

**M17B Paint Motor to Customer Color**

Contact your Baldor representative for color match, availability and price.

THREE  
DAYS  
(From Date  
Paint is  
Available  
in Fort Smith)

**NOTE:** Specifying epoxy paint will add one additional day to allow for complete drying of paint.

Gearmotors and  
Gear Products

Motor  
Accessories

Grinders

Generators

Servo Motors  
and Controls

Mod Express

Baldor Education  
Workshops

Warranties and  
Sales Policies

Cross Reference  
and Index

Baldor  
Sales Offices



**Modification  
Number****Motor Mod Express®  
Description and List Price****Working Days  
Required****M18 Lifting Lugs****M18A Add Lifting Lugs Up to a 326T Frame Size**TWO  
DAYS

NEMA Frame	List Price Per Motor
48 - 145T	184
182 - 215T	228
254 - 286T	297
324 - 326T	363

**M19 Screens****M19A Add Rodent Screens to Open Drip-Proof Motors**TWO  
DAYS

NEMA Frame	List Price Per Motor
48 - 326T	246
364T - 405T	320

**M20 Hardware****M20A Exchange Plated Hardware with Stainless Steel**TWO  
DAYS

NEMA Frame	List Price Per Motor
145T - 215T	452
254T - 326T	754
364T - 405T	1053
447T - 5011	1352

## M21 Space Heaters

### M21A Add Space Heaters to TEFC or Open Motors

Standard space heater voltage is 110VAC. Heaters for 230 or 460 volts are available. Specify circuit voltage.

TWO  
DAYS

NEMA Frame	List Price Per Motor
145T and Smaller	268
182 - 215T	338
254 - 365T	503
404 - 447T	572
449T - 5011L	1038

**NOTE:** Strip type space heaters are standard. 5000 frame perform at plant of manufacturing. Contact Baldor for time.  
**Does Not Apply to Explosion-Proof Motors**

### M21B Add Conduit Box for Thermostat or Heater Leads

(See M4E) Not for explosion proof motors.

CONTACT  
YOUR  
BALDOR  
REPRESENTATIVE

NEMA Frame	List Price
56 - 145T	370
182 - 215T	434
254 - 365T	655
404 - 447T	828
449T - 5011L	1215

**NOTE:** Contact Baldor for lead time and freight charges back to plant of manufacturing.

## M22 Textile Service

### M22A Lint Proof Fan Cover for Textile Applications

Remove standard fan cover and replace with textile fan shroud and cover.

TWO  
DAYS

NEMA Frame	List Price Per Motor
48 - 145T	245
182 - 184T	320
213 - 215T	361
254 - 256T	516
284 - 286T	606
324 - 326T	670
364 - 365T	795
404 - 405T	864
444 - 447T	934

### Modification Number

### Motor Mod Express® Description and List Price

### Working Days Required

## M23 Thermal Protectors

### M23A Thermostats

#### One or More Thermostats Laced to Winding

For over temperature protection. These are pilot circuit devices only with leads into conduit box tagged "JJ". Specify normally open or closed contacts.

TWO  
DAYS

NEMA Frame	Number of Devices	List Price Per Motor
Single Phase	1	155
Three Phase 42 - 215T	3 (3)	175
Three Phase 254 - 447T	3 (3)	469
Direct Current 48 - 215T	1	175

**NOTE:** (3) In Series with two leads into conduit box. Normally open are in parallel.

**Does Not Apply to Explosion-Proof Motors**

### M23B Exchange Thermal Overload

Exchange from manual thermal overload to automatic thermal overload or exchange from automatic thermal overload to manual thermal overload.

TWO  
DAYS

NEMA Frame	List Price Per Motor
	M.T.O to A.T.O. OR A.T.O. to M.T.O.
48 and 56	193
143 and 145T	197
182 - 184T	227
213 - 215T	313

**Does Not Apply to Explosion-Proof Motors**

### M23C Install Resistance Temperature Detectors

Install on low voltage winding endturns (Six 100 OHM RTD's).

CONTACT  
YOUR  
BALDOR  
REPRESENTATIVE

NEMA Frame	List Price Per Motor
449T - 5011L	3452

**NOTE:** 449T - up contact Baldor for lead time and freight charges back to plant of manufacturing.

**Does Not Apply to Explosion-Proof Motors**

**Modification  
Number**

**Motor Mod Express®  
Description and List Price**

**Working Days  
Required**

**M24 Winding Thermocouples**  
(3 per motor, 6 foot standard length)

**M24A Iron Constantan (3 per motor)**  
Specify location.

TWO  
DAYS

NEMA Frame	List Price Per Thermocouple
42 - 215T	170
254 - 445T	350
449 - 5011L	2073

**NOTE:** 449T - up contact Baldor for lead time and freight charges back to plant of manufacturing.  
**Does Not Apply to Explosion-Proof Motors**

**M25 Winding Thermistors**

**NOTE:** 449T - up contact Baldor for lead time and freight charges back to plant of manufacturing.  
**Does Not Apply to Explosion-Proof Motors**

**M25A One or Two**  
List Price: \$285

TWO  
DAYS

**M25B Three Per Motor**  
List Price: \$596

TWO  
DAYS

Geomotors and  
Gear Products

Motor  
Accessories

Grinders

Generators

Servo Motors  
and Controls

Mod Express

Baldor Education  
Workshops

Warranties and  
Sales Policies

Cross Reference  
and Index

Baldor  
Sales Offices

### Modification Number

### Motor Mod Express® Description and List Price

### Working Days Required

## M26 Tropicalization

### M26A Protection of Windings and Mechanical Parts

Protection from tropical environments.

TWO DAYS

NEMA Frame	List Price Per Motor	
	AC	DC
Through 215T	205	299
254 - 365T	294	469
404 - 447T	503	N/A

## M27 Weatherproofing

### M27A Treatment of Windings and Mechanical Parts

Protection from the elements or high moisture areas.

TWO DAYS

NEMA Frame	List Price Per Motor	
	AC	DC
Through 215T	199	294
254 - 365T	936	469
404 - 447T	1100	N/A

**NOTE:** Baldor "Dirty Duty", "CP" and "ECP" motors are weatherproofed as standard.

**Does Not Apply to Explosion-Proof Motors**

## M28 Marine Motors

### M28A IEEE 45

A combination of M4A and M27 for frames 215T and smaller plus nameplate stamped IEEE 45. NEMA frames 254T and larger require tapping of conduit box and nameplate stamped IEEE 45.

TWO DAYS

NEMA Frame	List Price Per Motor	
	AC	DC
42, 48, 56	205	294
143 - 215T	294	469
254 - 365T	341	N/A
404 - 447T	503	N/A

## Modification Number

## Motor Mod Express® Description and List Price

## Working Days Required

### M29 Shaft Modifications

Includes modifications to existing shafts only. Not applicable if new shaft is required. Price each modification per table M29 or M29D.

FIVE DAYS

NEMA Frame	List Price Per Modification	NEMA Frame	List Price Per Modification
42 - 145T	184	254T - 256T	331
182 - 184T	193	284 - 286T	331
ASM62 (5)	227	324-326T	477
213 - 215T	268	364-365T	528
ASM75 (5)	268	404-405T	596

**NOTE:** (5) Arbor Saw Motors.

### M29A Drill and Tap One Hole in End of Shaft or Mill Flat on Shaft Extension.

Provide details on order. Price this modification per table M29.

THREE DAYS

### M29B Convert from TEFC to TEAO

Cut off shaft extension for external fan. Price this modification per table M29.

**Does Not Apply to Explosion-Proof Motors**

THREE DAYS

### M29C Threading

Specify right hand or left hand thread, also type and length of thread. Price this modification per table M29.

FIVE DAYS

### M29D Convert "T" Frame to "U" Frame Shaft Dimension or Smaller (TS)

Provide details on order.

FIVE DAYS

NEMA Shaft	Conversion of T Frame to TS or U Frame	
	Work Days Required	List Price Per Motor
143 thru 145T	5 Days	184
182 thru 215T	5 Days	338
254 thru 286T	5 Days	771
324 thru 365T	5 Days	1149
404 thru 449T	5 Days	1894

Geomotors and Gear Products

Motor Accessories

Grinders

Generators

Servo Motors and Controls

Mod Express

Baldor Education Workshops

Warranties and Sales Policies

Cross Reference and Index

Baldor Sales Offices



### Modification Number

### Motor Mod Express® Description and List Price

### Working Days Required

## M29 Shaft Modifications continued...

### M29E Shaft Grounding Brush Shaft Grounding Systems



TWO DAYS

Add Shaft Grounding System unit to opposite shaft end of motor on TEFC, TENV, TEBC and ODP motors. Available for all frame sizes. Shaft grounding brush provides a current path from the rotor to the frame to lessen the chance of bearing fluting. Insolated bearings isolate the shaft, but rotor currents can be passed through a conductive coupling to the driven load and damage bearings there.

NEMA Frame	Baldor Type	List Addition
56 - 445T	35/305 - 318	1037
447-9T - 5812	318 - 322	1544

Does Not Apply to Explosion-Proof Motors

### M29F Shorten Shafts Without Reducing the Overall Diameter

THREE DAYS

NEMA Shaft	List Price Per Motor
48 - 145T	297
182 - 215T	408
254 - 256T	565
324 - 326T	579

### M29G Special Shafts

Contact Baldor for price and availability.

### M29H Convert to a Longer Shaft Up to a 215T Frame

Contact Baldor for price and availability.

### M29I Machine Explosion Proof Motor Shafts from T to U Frame

Contact Baldor for price and availability.

### M29J Shaft Grounding Brush Assembly

TWO DAYS

Add external shaft grounding brush to motor endplate. Brush contacts motor shaft diameter.

NEMA Shaft	List Addition
48 - 145T	170
182 - 215T	255
254 - 256T	384
324 - 326T	576

Does Not Apply to Explosion-Proof Motors

**Modification  
Number**

**Motor Mod Express®  
Description and List Price**

**Working Days  
Required**

**M30 Grounding Screw**

**M30A Add Grounding Screw On Endplate**  
Requirement for UL 1081, swimming pool pump motors (includes slinger.)  
List Price: \$113

TWO  
DAYS

**M31 Tach Mounting Kits**

**M31A Add Tach Mounting Kits Only**  
Tach mounting kits are listed on page 282-284. These kits are complete and will allow mounting of a BTG1000 or XPY tach generator (tach generator not included).

THREE  
DAYS

Baldor Motor Type	List Price Per Motor
3300P	350
3400D/P	434
3500D/P	451
3600D/P	521
180 - 500 Frame	1123

**NOTE:** Price includes tach kit.

**M31B Tach Kit with BTG1000 Tach**  
Order tach kit per M31A and order tach separately.

FOUR  
DAYS

**M31C Tach Kit with XPY Tach**  
Order tach kit per M31A and order tach separately.

FOUR  
DAYS

**M31D Add Encoder Kit to Inverter Duty Motor**  
Order encoders separately. Encoders are listed on page 210.

TWO  
DAYS

NEMA Frame	List Price Per Motor
56-215T	160
254T-404T	334
444T-5009L	521

**M31E Additional Mounted Encoder Options for IDRPM Motors**

List price includes encoder and mounting to motor.

TWO  
DAYS

Motor Enclosure	Type	Frame Size	Mfg.	Mag or Optical	Conn Type	Input Voltage VDC	List Price
All	H20	FL180 - L400	Dynapar	O	MS-ST	5-15	1722
All except TEFC	RL67	FL180 - L400	Dynapar	M	Latch	5-15	2124
All except TEFC	SL85	F280 - L400	Dynapar	M	Latch	5-15	2236

Gearmotors and  
Gear Products

Motor  
Accessories

Grinders

Generators

Servo Motors  
and Controls

Mod Express

Baldor Education  
Workshops

Warranties and  
Sales Policies

Cross Reference  
and Index

Baldor  
Sales Offices

**Modification  
Number****Motor Mod Express®  
Description and List Price****Working Days  
Required****M32 Testing****M32A CSA C390 Method 1 Equivalent to IEEE 112  
Method B Performance Testing**SEVEN  
DAYS

Three phase stock motors will be tested under lab conditions according to CSA C390 (equivalent to IEEE 112b). Complete test data will be supplied.

NEMA Frame	List Price Per Motor
42 - 215T	2022
254T - 447T	3031
449T - 5011L	7407

**M32B Witnessed CSA C390 Method 1 Equivalent to  
IEEE 112 Method B Performance Testing**SEVEN  
DAYS

Test schedule must be coordinated with Baldor corporate office.

NEMA Frame	List Price Per Motor
42 - 215T	7072
254T - 447T	8082
449T - 5011L	11448

**M33 Short Test****M33A Motor Performance - Short Test**SEVEN  
DAYS

Three phase or single phase motors will have any or all of the following motor characteristics measured. Test data will be supplied. All data will be taken on cold motor.

No Load Current	Locked Rotor (Starting) Current
Full Load Current	Locked Rotor Torque
Breakdown Torque	Hi-Potential Test

NEMA Frame	List Price Per Motor
42 - 215T	336
254 - 447T	615

**Modification  
Number**

**Motor Mod Express®  
Description and List Price**

**Working Days  
Required**

## M34 Worm Gear Modifications

### M34A Install Bases on Worm Gear Speed Reducers.

List price include bases.

TWO  
DAYS

900 Series				Universal Series	
Size	Horiz. Base	Vertical Low Base List Price	Vertical High Base List Price	Size	Vertical Base (Converts STF to SVF)
913	168	203	205	133	170
915	177	205	207	175	170
918	177	205	207	200	186
921	180	209	212	225	186
924	193	225	230	258	204
926	205	260	262	300	204
932	230	283	289	350	216
938	251	319	328	400	244

### M34B Convert from Single to Double End Output Shaft on Worm Gear Speed Reducers.

List price includes shaft.

TWO  
DAYS

900 Series		Universal Series	
Size	Price	Size	Price
913	185	133	182
915	188	175	188
918	188	200	188
921	188	225	197
924	193	258	205
926	205	300	209
932	209	350	227
938	227	400	249

### M34C Convert Output Shaft from Left Hand to Right Hand or vice versa on 900 or Universal Series Reducers

\$141 List (Price does not include reducer)

TWO  
DAYS

### M34D Install Motor on 900 F-Series or Universal STF Series Reducers

\$141 List (Price does not include motor or reducer)

TWO  
DAYS

### Modification Number

### Motor Mod Express® Description and List Price

### Working Days Required

## M35 Terminal Blocks

### M35A Install IEC Terminal Blocks in Conduit Box and Connect Leads

TWO DAYS

IEC Frame, stocked with terminal blocks.  
Advise how motors leads are to be connected.

**Does Not Apply to Explosion-Proof Motors**

NEMA Frame	List Price
34 FRAME - 56-143T	192
35 FRAME - 56-145T	206
182-184	228
213-215	250
254-256	287
284-286	297
324-326	869
364-365	869
404-405	869
444-449	869

## M36 Starters

### Add Magnetic or Manual Starter to Grinder or Buffer

Mounted and wired on Baldor industrial grinders and buffers. Starters are in NEMA 1 enclosure and have the push button in cover. Available only as factory installed options. Lead time is dependant on delivery of the starter.

### M36A Starter - Single Phase

Full voltage control.

TWO DAYS

Grinder Wheel Size	Buffer Hp	Manual	Magnetic	
		115/230 Volts List Price	115 Volts List Price	230 Volts List Price
6"	1/3	423	695	777
7"	N/A	423	695	777
8"	3/4	423	797	777
10"	1	423	797	777
N/A	1-1/2	423	797	682
12"	2	Standard Equipment	676*	682*

**NOTE:** Specify voltage when ordering.

\*Price includes allowance for omission of standard starter.

### M36B Starter - Three Phase

Full voltage control.

TWO DAYS

Grinder Wheel Size	Buffer Hp	Manual	Magnetic	
		208-230/460 Volts List Price	208-230 Volts List Price	460 Volts List Price
7"	N/A	489	777	716
8"	N/A	489	777	716
10"	3/4	489	777	716
12"	1	Standard Equipment	547*	502*
12"	2	Standard Equipment	547*	502*

**NOTE:** Specify voltage when ordering.

\*Price includes allowance for omission of standard starter.

**M36 Starters continued...**

**M36C Magnetic Starter – Three Phase**

With Low Voltage Control.

TWO  
DAYS

Grinder Wheel Size	Buffer Hp	Magnetic With 110 Volt Control Circuit Transformer	
		208-230 Volts List Price	460 Volts List Price
7"	N/A	1745	1931
8"	N/A	1745	1931
10"	3/4	1745	1931
12"	1	1712*	1747*
12"	2	1712*	1747*
14"	5	1712*	1747*
14"	7-1/2	1712*	1747*

**NOTE:** Specify voltage when ordering.

\*Price includes allowance for omission of standard starter.

**M36D Overload Protection for Dust Control Unit**

TWO  
DAYS

NEMA Frame	List Price
All	521

**NOTE:** Must be used with magnetic control.  
Contact Baldor for details.

**M37 Voltage**

**M37A Change a Grinder Dust Control Unit from  
230/460 Volts to 575 Volts**

TWO  
DAYS

NEMA Frame	List Price
All	154

**M38 Fan Change with Inverter Nameplate Markings**

Refer to Inverter/Vector Motors & Controls section Page 189 for details on fixed speed motor capabilities when used in variable speed applications. Where available, this modification changes the fan used on TEFC motors and changes the motor nameplate to reflect the new speed range capabilities.

TWO  
DAYS

NEMA Frame	List Price Per Motor
180-280	246
320-449	304



**2009 Customer Education  
Workshop Schedule**Gearmotors and  
Gear ProductsMotor  
Accessories

Grinders

Generators

Servo Motors  
and Controls

Mod Express

Baldor Education  
WorkshopsWarranties and  
Sales PoliciesCross Reference  
and IndexBaldor  
Sales Offices**Advanced Drives: Tools and Options (3 Days)** June 8-10       October 5-7**Understanding Motor Fundamentals (3 Days)** January 19-21       March 2-4  
 May 4-6       June 15-17  
 October 12-14       November 2-4**Baldor Drives Service Center (4 Days)\*\*** March 16-19       May 18-21**Fundamentals of Drives (3 Days)** February 2-4       April 20-22  
 July 20-22**Mint® Programming for MintDrive/NextMove (4 Days)** February 9-12       August 24-27**Selling & Applying Baldor V\*S Drives (3 Days)** February 16-18       May 11-13  
 September 14-16**Ethernet Technology & Programming (3 Days)** February 23-25**Generator Applications and Sales (2 Days)** February 17-18       July 16-17  
Oshkosh, WI**Fundamentals of Servicing Generators** May 12-14  
Oshkosh, WI**Sizing & Applying Servo Motion Products (4 Days)** March 23-26       October 19-22**Fundamentals of Mint® Programming (3 Days)** March 30-April 1**Linear Motors & Drives (3 Days)** April 14-16       October 26-28**Fundamentals of Generators (2 Days)** April 7-8  
Oshkosh, WI**Advanced Generator Service (3 Days) NEW** March 10-12       September 22-24  
Oshkosh, WI

\*\*Attendance for these classes is restricted to Authorized Drives Service Centers.

\*\*\*Class not available to Baldor•Reliance Distributors who are not authorized by Dodge.

Contact your local Baldor District Office for more information.

**CLASS LOCATION:** All classes will be held at Baldor's World Headquarters in Fort Smith, Arkansas, unless otherwise indicated.

Class schedules may be subject to change.

For 2009 updates, please visit our website: [www.baldor.com/support/custedu.asp](http://www.baldor.com/support/custedu.asp).

**REGISTRATION FEE:** The fee for each workshop is \$1395.00\*. This includes workshop materials, airfare, hotel accommodations, meals and transportation. Registration forms must be received in writing in order to become a participant in a workshop. Registrations must be received 45 days prior to the start date of the desired workshop. Please fill out one registration form per participant/per class and fax to:

**Baldor Electric Company**

Attn: Education Workshop Coordinator  
6040 Ponders Court  
Greenville, SC 29615  
Phone: (864) 281-2367  
Fax: (864) 281-2433

\*\*You may also register on our website [www.baldor.com/support/custedu.asp](http://www.baldor.com/support/custedu.asp).

\*BDSC cost is \$1595.00 (participant receives test meter).

Workshop dates are subject to change or cancellation based on participation. Notification of cancellation or rescheduling will be made within three weeks of workshop start date. Prior to registering, verify class dates by contacting your local Baldor • Reliance district office or by checking Baldor's website [www.baldor.com/support/custedu.asp](http://www.baldor.com/support/custedu.asp).

**RESERVATIONS:** Baldor has negotiated special airline arrangements through major airline carriers. Baldor will purchase your airline tickets, with the exception of 5 day workshops. In most cases, you will travel on the Sunday before your class begins and depart for home on Wednesday afternoon. To help us in making your travel plans, please have the person enrolled in the class answer these questions:

Major airport located nearest you:

1<sup>st</sup> choice \_\_\_\_\_ 2<sup>nd</sup> choice \_\_\_\_\_

Seating preference \_\_\_\_\_ Frequent Flyer number \_\_\_\_\_

**Note:** Pre-assignment not always available.

Hotel room preference:  Smoking  Non-Smoking Hotel Room

**CONFIRMATION:** Workshop confirmations will be sent to you upon receipt of your registration. Hotel confirmation and airline tickets will be sent prior to workshops.

Any and all changes or cancellations must go through the Education Workshop Coordinator at the phone number listed above. No changes will be permitted to airline tickets purchased by Baldor. Persons with special dietary or physical requirements are asked to note so on the registration form.

Name \_\_\_\_\_

Company \_\_\_\_\_

Work Phone \_\_\_\_\_

Home Phone \_\_\_\_\_

Fax \_\_\_\_\_

Address \_\_\_\_\_

City \_\_\_\_\_ State \_\_\_\_\_ Zip \_\_\_\_\_

Email \_\_\_\_\_

Comments:

## All Baldor Education Workshop Class Descriptions

### Why Offer Training Classes?

#### *To Be the Best...as Determined by Our Customers*

...is the cornerstone of Baldor's mission statement. And because you are a part of Baldor, we want to help you be the best also. Baldor is proud to offer a series of intensive 3-day training workshops. Custom designed for you, these thought-provoking training sessions are more than passive seminars. Workbooks, question and answer sessions, and other structured activities assure participant interaction and involvement. "Hands-on" training supplement these true learning experiences that promise to be beneficial in the field. Just one more example of Baldor working to meet your needs.

#### **Advanced Drives - Tools And Options**

##### **Recommended student skills or experience:**

- Setup and operation of Baldor V\*S family drives
- Industrial Motor Controls Experience
- Personal Computer Operation & File Load/Save Skills

##### **Course Highlights:**

- Overview and comparison of AC/DC/Servo Drive Technologies such as: Inverter, Vector, DC SCR, and Brushless Servo Drives.
- Analysis of RS-232/485 Serial Communications and networking.
- Use and purpose of V\*S family expansion boards for interfacing to PLCs and other factory automation transducers or devices.
- "Hands-On" lab sessions such as: Computer control of drive and upload/download of drive parameters, Encoder following or leader/follower applications, and Closed loop PID control of water pressure using Inverter to vary the pump speed..
- Set-Up, Auto-Tuning and operation of Vector/Servo control for speed/torque/position.
- Understanding the proper use of line reactors, load reactors, isolation transformers and grounding/shielding techniques for closed loop or process control.
- Analysis of Constant Torque, Variable Torque, and Constant Horsepower applications and selection of motors and controls for: conveyors, fans, pumps, machine tool spindles, winder/unwinder and other industrial applications.

##### **Recommended student skills or experience:**

- Setup and operation of Baldor drives
- Industrial motor controls repair experience
- Basic electrical and electronic control knowledge
- Experience reading electrical schematics
- Troubleshooting experience using DMM and scope

#### **Fundamentals of Drives**

##### **Course Highlights:**

- Overview and comparison of DC and AC Drive Technologies such as DC SCR Controls, and Inverter and Vector Controls with AC Induction Motors.
- DC and AC motor factors to consider when used with adjustable speed drives.
- "Hands-On" lab sessions with set-up and operation of DC and AC adjustable speed drives.
- Understanding speed, torque, and horsepower formulas and calculations.
- Open Loop vs. Closed Loop feedback techniques and terminology.
- Reading and interpreting Baldor Matched Performance curves and literature.
- Analysis of Constant Torque, Variable Torque, and Constant Horsepower applications and selection of matching drive technology.
- Learn about Baldor's new V\*S Control.

#### **Understanding Motor Fundamentals**

##### **Course Highlights:**

- "Real life" situations on how to match the motor to your customer's application.
- Learn about different ratings, speeds, and enclosures of motors.
- Recognize different families of motors by sight.
- Identify most basic failure modes including warranty conditions.
- Learn about efficiency and what it means to your customers.
- Discuss NEMA standards, HP, RPM, voltage, service factors and frame sizes and what they mean.
- A Brief overview of AC motor control basics.
- "Hands-on" lab exercises

#### **Baldor Drives Service Center (BDSC)**

##### **Course Highlights:**

- Select proper equipment to test a PWM drive
- Step-by-step startup technique to start a drive safely
- AC and DC control troubleshooting
- Using the diagnostic screens to isolate a problem
- Understand proper wiring
- Learn to read and understand the control's event log
- Use parameter adjustments to solve application problems
- Review schematics and interconnect drawings
- Apply techniques learned in a "hands-on" lab

#### **Mint®MT Programming for MintDrive" & NextMove"**

##### **Highlights Include:**

This highly technical course focuses specifically on Baldor's NextMove & MintDrive motion products using the latest version of Baldor's Mint Programming language.

The course reviews Baldor's drive products with emphasis on MintDrive and NextMove motion controllers. It covers hardware features, configuration and tuning of Mint software. This course covers the programming basics and advanced multi-axis motion control commands of Mint. Includes linear/circular interpolation, velocity/position following, electronic gearing. CAMS, flying shear, and networking applications. The how-to's of interfacing VisualBasic® programming, operator keypad/display panels, and remote I/O modules are demonstrated.

Learn how to set-up, tune, and program Baldor NextMove and MintDrive motion control in the hands-on labs. And how to use the powerful new features on Mint, which includes MintMT and Mint Workbench v5.

##### **Recommended Student Skills or Experience:**

- Setup and operation of Baldor Servo Drives
- "Working with Servos" course or equivalent experience
- Windows® based PC experience. Operation and file management
- BASIC programming skills, Visual Basic® preferred.

**Selling and Applying Baldor V\*S Drives****Recommended student skills or experience:**

- Industrial Motor Experience
- Basic Electrical & Horsepower Calculation Skills

**Course Highlights:**

- Overview and comparison of AC Drive Technologies such as Inverter, Vector and Encoderless Vector controls with AC Induction Motors.
- AC motor basics and factors to consider when used with Inverter and Vector controls.
- “Hands-On” lab sessions with set-up, operation, parameter selection, operating modes, and speed/torque command inputs for Inverter and Vector drives.
- Set-Up, Auto-Tuning, and operation of V\*S family vector controls for speed/torque/position of the AC motor.
- Understanding the proper use of line reactors, load reactors, isolation transformers, and grounding/shielding techniques.
- Vector control and motor encoder/resolver feedback techniques and terminology.
- Reading and interpreting Baldor Matched Performance curves and sizing or selection of motors, controls, and dynamic braking resistors.
- Analysis of Constant Torque, Variable Torque, and Constant Horsepower applications and selection of motors and controls for: conveyors, fans, pumps, machine tool spindles, winder/unwinder, and other industrial applications.

**Ethernet Technology and Programming**

- Recommended student skills or experience:
- In-depth knowledge of MINT programming is a must
- Setup and operation of Baldor Mint Servo Drives
- “Working with Servos” workshop or equivalent experience
- Windows based PC experience: Operation and File Management
- BASIC programming skills, Visual Basic preferred

**Course Highlights:**

- This highly technical course focuses specifically on Baldor’s Ethernet Powerlink motion products using the latest version of Baldor’s Mint programming language.
- The course reviews Baldor’s Ethernet products, with emphasis on MicroFlex E100 & NextMove E100 motion controllers. This course covers Ethernet basics and the difference between a non-deterministic and a deterministic network. Includes setting up a TCP/IP network, configuring Ethernet Powerlink networks, tuning a networked system, programming in MINT V5.5, and advanced error handling capabilities. The how-to’s of interfacing Visual Basic® programming, operator keypad/display panels, and remote I/O modules are demonstrated.
- Learn how to set-up, tune and program Baldor Ethernet motion controls in the hands-on labs. The students will also learn how to use the powerful new features on Mint, which includes MintMT and the latest Mint Workbench v5.5.

**Some features of the new Mint software development tools:**

- Configure TCP/IP network
- Configuration of Ethernet Powerlink network
- Host computer communications
- PLC communication
- DS402 capabilities
- Workbench v5.5 Commission Wizard
- Auto-Tuning Wizard for Microflex E100

- Program Editor with color keyword context highlighting
- Online context sensitive help for all MintMT keywords
- Software oscilloscope with 6 channels
- Graphical Input/Output configuration – active level and function selection
- Watch windows for CAN communications and user variables
- Multi-Tasking language, functions/procedures with parameter passing
- MintMT supports code library development with local/global variables

**Generator Application and Sales****Course Highlights:**

- Designed for students who understand generator basics
- Identifying customers’ application needs
- Learn features of Baldor’s GLC and IDLC generators
- Review generator and transfer switch sizing and application
- Discuss characteristics and features of different control and fuel systems

**Fundamentals of Servicing Generators****Course Highlights:**

- Entry-level course in generator troubleshooting and repair
- Review basic electricity and induction, engine and gaseous fuel systems
- Detail discussion on alternators
- Learn systematic troubleshooting
- Practical lab exercise on a TS80R
- Review transfer switches and generator application safety

**Sizing, and Applying Servo/Motion Products**

In this workshop you will study several typical automation applications and learn about the benefits of applying servo/motion control. The use of servo technology results in:

- Increased productivity and machine flexibility
- Reduced manufacturing time and labor
- Reduced set-up time
- Improved product consistency and quality

You will learn how to read servo motor nameplate data and speed-torque diagrams to determine the torque/rpm that a motor can deliver reliably with applied volts/amps. In hands-on lab assignments you will analyze several typical machine applications such as direct coupled loads, conveyors, lead/ball screws, rack and pinion, pinch rollers, etc. Given the size of the load, the machine cycle time and motion profile, you will learn to calculate the proper size motor and required servo control voltage/amperage for several typical applications. We will calculate the effects of ambient temperature increase and motor temperature rise on the servo motor’s speed/torque and reliability. We will calculate the necessity of using gear box or timing belt reducers in some applications, for matching load inertia to motor inertia and load rpm to motor rpm, while also improving the control loop response time.

**Recommended student skills or experience:**

- Basic electrical motor/controls experience
- Basic math and algebra
- Basic Windows PC file management

**Fundamentals of Mint® Programming****Highlights Include:**

This workshop will cover basic concepts of programming and the techniques used to solve motion problems. Structured programming and program flow repetition, subroutines, and interrupt events. Concepts of data structure and math operations will be covered, including constants, variables, arrays, math/logical operators, and functions.

The workshop will demonstrate how a motion problem can be divided into a set of program modules. An example application will illustrate the use of operator menus and screens, use of direct and keyboard inputs/outputs, how to establish user variable input as data arrays, how to establish a position reference, and scaling of distance/speed/acceleration for a motion profile.

Baldor's easy to use Mint language will be used as the basis in learning. The Mint "keywords" to make motion control easy, and "keywords" to simplify program flow will be introduced.

In the hands-on labs, you will configure and tune a drive, and write a program for an actual application using absolute/incremental moves and homing. All the concepts discussed in the workshop will be reinforced by programs written, coded and debugged in the lab exercises.

**Recommended student skills or experience:**

- Experience with computer systems (MS-DOS or Windows);
- Basic mathematical concepts (geometric coordinates and basic algebra)

**Linear Motors & Drives: Selection & Application**

In this workshop you will learn the features/benefits of the different types of linear motors and drive systems. We will discuss several typical linear motion applications and learn about the benefits of applying linear motors/stages in motion control. The use of linear motors/stages for motion will result in:

- Direct drive from motor to load with zero backlash
- Simplicity, no mechanical linkages to wear out or require maintenance and adjustment
- High speed motion profiles, low accel/decel times, reduced machine cycle times
- High accuracy and predictable repeatability
- Air bearing linear stages are non-contacting/wearing and are clean room capable
- Improved production output, consistency and quality

You will learn about the many types of linear motors, how they produce force and motion and what the features/benefits/trade-offs are for each type. The types of linear motors covered are:

- Single Axis, Linear Stepper Motors
- Dual Axis, Linear Stepper Motors
- Brushless, Cog-Free Linear Servo Motors
- Brushless, Iron-Core Linear Servo Motors
- AC Induction Linear Motors (Servo and Open-Loop)
- AC Polynoid Linear Motors
- Hycore-Hybrid Core Linear Servo Motors
- DC Brushed Linear Servo Motors
- DC Non-Commutated Linear Servo Motors

**Recommended student skills or experience:**

- Basic servo motor/controls experience
- Basic math and algebra
- Basic Windows PC file management

**Servo Motor Repair****Course Highlights:**

- Review servos, controls, and programmable positioners
- Become familiar with servo terminology
- Learn servo motor construction
- Discuss servo controls and positioners and their specific tasks in the servo loop
- Learn about tachometers, Hall sensors, encoders, and resolvers
- Learn tests to perform to help identify servo and feedback problems
- Lab for disassembly and reassembly of servomotors and components
- Discuss equipment needed to repair servos

**Fundamentals of Generators****Course Highlights:**

- For students new to generators
- Electrical and power generation theory is discussed
- Gain understanding of engines and gaseous fuel systems
- Become familiar with Baldor's line of generators
- Learn how to size generators for the customer's application
- Transfer switch options and how they work
- Identifying warranty and how to handle submittals

**Advanced Generator Service (NEW)**

This is an advanced course specific to troubleshooting and diagnostics of Baldor generator controls. It includes programming the control and assessing the diagnostics available through the generator control. We will review schematics and interconnect diagrams specific to our generator systems. Parallel generator application troubleshooting will also be discussed.



## Limited Warranty

**Comments and Questions:** Please contact us at:

Baldor Electric Company  
Vice President - Marketing  
P.O. Box 2400  
Fort Smith, Arkansas 72902-2400  
Facsimile: 479-648-5791  
Website: [www.baldor.com](http://www.baldor.com)

or refer to page 543 of this catalog for a list of District Offices in your area.

**Scope of Warranty:** All products are warranted against defects in workmanship and materials.

**Warranty Period:** All Baldor products are warranted against defects in materials and workmanship. Motor warranty varies depending on type of motor and application. For warranty information on a specific product, please visit our website at [www.baldor.com](http://www.baldor.com) or contact your local Baldor•Reliance District office.

All warranty claims must be submitted prior to the expiration of the warranty period.

**Warranty Service Center Locations:** Warranty service is available for all Baldor•Reliance products from Authorized Service Centers. A list of Authorized Service Centers is available at [www.baldor.com](http://www.baldor.com) and from any Baldor District Office or by contacting us at the above location.

**Procedure to Receive Warranty Service:** Customers should take or ship prepaid the Baldor•Reliance product requiring warranty service to an Authorized Service Center. Please include an explanation of the defect or problem, a description of the way in which the product is used, your name, address and telephone number.

**Repair by Other than a Baldor•Reliance Authorized Service Center:** Customers who are unable to take or ship the Baldor•Reliance product to an Authorized Service Center, or who desire a repair to be made by other than a Baldor•Reliance Authorized Service Center, should contact the local Baldor•Reliance District Office. A repair by anyone other than an Authorized Service Center must be approved in advance by Baldor Electric Company.

**Repairs or Replacement Within the Scope of the Warranty:** If a Baldor•Reliance product is defective due to workmanship or materials and the defect occurs during the warranty period, then Baldor will either repair the product or replace it, whichever Baldor believes to be appropriate under the circumstances. Baldor is not responsible for removal and shipping of the product to the service center, the reinstallation of the product upon its return to the customer, or any incidental or consequential damages resulting from the defect, removal, reinstallation, shipment or otherwise.

**Repairs Outside the Scope of the Warranty:** Problems with Baldor•Reliance products can be due to improper maintenance, faulty installation, non-approved additions or modifications, or other problems not due to defects in workmanship or materials. If the Baldor•Reliance Authorized Service Center determines that the problem with a Baldor•Reliance product is not due to defects in workmanship or materials, then the customer will be responsible for the cost of any necessary repairs. Customers not satisfied with a determination that a problem is outside of warranty coverage should contact the Baldor•Reliance District Office for further consideration.

**Intended Use:** Baldor•Reliance products are designed for industrial, commercial and agricultural use rather than household, family or personal use.

**Product Specifications:** All product specifications, applications and other information provided in Baldor's catalog and publications are subject to correction and change without notice and should be confirmed with the Baldor•Reliance District Office prior to ordering.

**Extended Warranties:** Extended warranties are available for certain products. Contact your Baldor•Reliance District office for additional information.

**No Other Warranties and Liability Limitation:** This Limited Warranty and Service Policy represents Baldor's sole and exclusive warranty obligation with respect to Baldor products. Baldor's liability to a customer or any other person shall not exceed the sales price of the applicable Baldor product. BALDOR DISCLAIMS ALL OTHER EXPRESSED AND IMPLIED WARRANTIES INCLUDING THE IMPLIED WARRANTIES OF FITNESS FOR A PARTICULAR PURPOSE AND MERCHANTABILITY.

### Trademark Notices

All trademarks and associated designs referenced in this catalog are registered property of Baldor Electric Company. Any use of such marks without the written consent of Baldor Electric Company is strictly prohibited by law. For additional information on the use of registered Baldor Electric Company trademarks, please contact your local Baldor•Reliance District Office.

Baldor has made every effort to make this catalog complete and accurate as of the time of printing. All pricing is subject to change or correction. Since products are continuously being improved, all data is subject to change or correction. The data presented here is for general information to provide an overview of Baldor's capabilities. For specific applications, installation and operating instructions, certified dimensions, capabilities and performance data, and pricing and availability, contact your Baldor•Reliance District Sales Office listed on page 534.

© Baldor Electric Company.



## UL AND CSA EXPLOSION-PROOF CLASSIFICATIONS

1. Hazardous Locations
 

Class I Group D locations are atmospheres containing elements such as Gasoline, Hexane, Naphtha, Benzine, Butane, Propane, Alcohol, Acetone, Benzol, Lacquer Solvent Vapors or Natural Gas.

Class I Group C locations are atmospheres containing elements such as Ethyl-ether, Ethylene and Cyclopropane.

Class II Group F & G locations are atmospheres containing dust such as (F) Carbon Black, coal or Coke Dust, (G) Flour, Starch or Grain Dusts.
2. As required by Underwriters Laboratories and Canadian Standards Association, explosion-proof motors with Class II Group F & G approvals must have over temperature protection.
 

Explosion-Proof Motors rated 1 1/2 HP or less have internally mounted automatic thermal overloads when indicated by suffix "A". Caution must be observed when applying these to machinery applications to prevent accidental injury should the thermal device automatically reset and restart the motor.

Explosion-Proof Motors rated 1 HP and larger without automatic thermal overloads have thermostats in the windings. These thermostats are pilot circuit devices to be connected to the magnetic starter circuit.
3. Surface temperatures of Baldor Explosion-Proof Motors will not exceed the following UL and CSA maximums under fault conditions.
  - A. Class I, Group D listings only.
    - ① Motors with Class B insulation will not exceed surface temperatures of 230°C (446°F) equivalent Code T2C.
    - ⑥ Motors with Class F insulation and 1.0 S.F. will not exceed surface temperatures of 280°C (536°F) equivalent to Code T2A.
  - B. Class I, Group C & D listings only.
    - ⑤ Motors with Class F insulation and 1.15 S.F. will not exceed surface temperature of 160°C (320°F) equivalent to Code T3C.
  - C. Class I, Group D, Class II Group F & G listings.
    - ③ Shunt wound DC motors, 182 through 215 frames, 1/2 through 3 HP, will not exceed surface temperatures of 165°C (329°F) equivalent to Code T3B.
    - ⑦ Fractional HP motors in Baldor type 35 will not exceed surface temperatures of 135°C (275°F) equivalent to Code T4.
    - ⑦ Frames 364T through 449T will not exceed surface temperatures of 135°C (275°F) equivalent Code T4.
    - ⑧ Fractional HP motors in Baldor type 34, and 1 HP motors and greater built in Baldor type 35, frames 143T through 326T will not exceed surface temperature of 160°C (320°F) equivalent to Code T3C.
    - ⑧ Fractional HP motors in Baldor type 34, and permanent magnet DC motors in Baldor type 34 and 35, will not exceed surface temperatures of 160°C (320°F) equivalent to Code T3C.
  - D. Class 1, Group C & D, Class II, Group F & G listings.
    - ② Baldor Frames 182T through 449T will not exceed surface temperatures of 135°C (275°F) Code T4.
4. Not suitable for applications in temperatures below -25°C (-13°F).
5. All Explosion-Proof motors are supplied with Explosion-Proof UL and CSA approved conduit boxes as standard.
6. Baldor-Reliance AC Explosion Proof Motors, on pages 87-96, are not approved for use on variable voltage or variable frequency controls. Inverter Duty Explosion Proof motors (page 206) must be used.

### CAUTION!

Motors misapplied in hazardous environments can cause a fire or explosion resulting in destruction of property, serious injury or death. Only the end user or a qualified underwriter is to identify and select the proper class, group, division, and temperature code motor to meet the requirements of each installation. Baldor personnel can advise what listings and approvals Baldor motors carry, but cannot evaluate nor recommend what motors may be suitable for use in hazardous environments.

### Reliance to Baldor

Reliance M/N	Baldor Catalog	Reliance M/N	Baldor Catalog	Reliance M/N	Baldor Catalog	Reliance M/N	Baldor Catalog	Reliance M/N	Baldor Catalog
C14H1501	L3514T	P14G7506	ECP3582T	P14H1702	M3554T-5	P18A1590	VEBM3615T	P18G3811	VECP3661T
C14H1502	L3510T	P14G7507	ECP3583T-4	P14H1703	M3546T-5	P18A7204	VBM3615T-D	P18G3812	VECP3667T
C14H1504	L3515T	P14G7508	ECP3584T	P14H1708	M3556T-5	P18A7207	VBM3615T-5D	P18G3813	VECP3665T
C14H1515	VL3514T	P14G7509	ECP3586T-4	P14H1750	VM3558T-5	P18A7300	BM3611T-S	P18G3814	VECP3664T
C14H1520	VL3515T	P14G7510	ECP3587T	P14H1981	VBM3546T	P18A7303	VBM3611T-S	P18G3823	EM3661T-5
C14H1521	VL3510T	P14G7516	CECP3581T	P14H1982	VBM3554T	P18G1132	VEM3661T	P18G3824	EM3665T-5
C14H1915	CL3515T	P14G7519	CECP3584T	P14H3047	VM3561T	P18G1133	VEM3665T	P18G3832	CEM3661T
C48H1502	L3403	P14G7521	CECP3587T	P14H3164	AOM3546T	P18G1173	CECP83661T-4	P18G3833	CEM3665T
C48H1506	L3405	P14G7527	VECP3581T	P14H3167	AOM3558T	P18G1174	CECP83665T-4	P18G3834	VECP3661T-4
C56H1290	L3508	P14G7528	VECP3582T	P14H3169	AOM3556T	P18G1175	VECP83661T-4	P18G3840	CM3661T
C56H1501	L3507	P14G7529	VECP3583T-4	P14H4003	VM3554T-50	P18G1176	VECP83665T-4	P18G3841	CM3665T
C56H1502	L3504	P14G7530	VECP3584T	P14H4004	VM3558T-50	P18G1177	CECP83660T-4	P18G3842	CM3607T
C56H1503	L3509	P14G7531	VECP3586T-4	P14H7202	BM3558T-D	P18G1178	CECP83663T-4	P18G3843	CM3614T
C56H1504	L3506	P14G7532	VEM3587T	P14H7206	VBM3546T-D	P18G1179	VECP83660T-4	P18G3844	CM3660T
C56H1505	L3505	P14G7545	ECP3581T-5	P14H7207	VBM3554T-D	P18G1180	VECP83663T-4	P18G3845	CM3663T
C56H1506	L3502	P14G7548	ECP3584T-5	P14H7208	VBM3558T-D	P18G1185	CECP83661T-5	P18G3846	CM3611T-5
C56H1507	L3500	P14G7550	ECP3587T-5	P14X1341	VM3555T	P18G1186	CECP83665T-5	P18G3847	CM3615T-5
C56H1545	CL3507	P14G7648	EM3554T-5	P14X1370	CM3558T	P18G1188	IDVSNM3661T	P18G3881	VM3664T
C56H1546	CL3504	P14G7704	ENCP83580T-4	P14X1371	CM3554T	P18G1189	IDVSNM3665T	P18G3882	VM3661T
C56H1547	CL3509	P14G7705	ENCP83581T-4	P14X1372	CM3546T	P18G1193	ENCP83661T	P18G3883	VM3665T
C56H1548	CL3506	P14G7706	ECP83582T-4	P14X1373	CM3555T	P18G1194	IDVSM3665T	P18G3884	VEM3661T-5
C56H1589	VL3507	P14G7707	ECP83583T-4	P14X1374	CM3550T	P18G1232	ZDVSNM3661T	P18G3885	VEM3665T-5
C56H1590	VL3504	P14G7708	ECP83584T-4	P14X1375	CM3556T	P18G1233	ZDVSM3661T	P18G4003	CECP3660T
C56H1592	VL3513	P14G7709	ECP83586T-4	P14X1378	M3559T	P18G1234	ZDVSNM3665T	P18G4009	VECP3660T-4
C56H1593	VL3509	P14G7710	ECP83587T-4	P14X1474	EM3550T	P18G1235	ZDVSM3665T	P18G4056	CECP3663T
C56H1594	VL3506	P14G7715	CENCP83580T-4	P14X1475	EM3554T	P18G1236	ZDVSCP3661T	P18G4062	ECP3663T-4
C56H1595	VL3505	P14G7716	CENCP83581T-4	P14X1476	EM3555T	P18G1237	ZDVSCP3665T	P18G4109	CECP3661T
C56H1605	VL3508	P14G7718	CECP83583T-4	P14X1477	EM3558T	P18G2054	AOM3611T	P18G4162	CECP3665T
C56H1773	L3514	P14G7719	CECP83584T-4	P14X1482	VENM3546T	P18G2055	AOM3615T	P18G4221	ECP3667T-4
C56H1774	L3510	P14G7720	CECP83586T-4	P14X1485	VEM3554T	P18G2056	AOM3607T	P18G4274	ECP3664T-4
C56H1776	L3513	P14G7721	CECP83587T-4	P14X1487	VEM3558T	P18G2057	AOM3614T	P18G4503	M3613T-5
C56H1781	VL3514	P14G7726	VENCP83580T-4	P14X1507	EM3558T-5	P18G2058	AOM3617T	P18G4553	M3665T-5
C56H1782	VL3510	P14G7727	VENCP83581T-4	P14X1507	EM3558T-5	P18G3110	AEM3683-4	P18G4704	CP3663T-4
C56H1809	CL3514	P14G7729	VECP83583T-4	P14X1534	VEM3546T	P18G3111	AEM3684-4	P18G4705	CP3660T-4
C56H1810	CL3510	P14G7730	VECP83584T-4	P14X1543	EM3546T	P18G3112	AEM3686-4	P18G4750	CP3661T
C56H1812	CL3513	P14G7731	VECP83586T-4	P14X3241	CP3586T-4	P18G3113	AEM3687-4	P18G4751	CP3665T
C56H1990	L3501-50	P14G7732	VECP83587T-4	P14X3242	CP3583T-4	P18G3114	AEM3689-4	P18G4754	CP3661T-4
C56H1993	L3504-50	P14G7744	ECP83580T-5	P14X3244	CP3582T	P18G3339	AEM3661T-4	P18G4755	CP3665T-4
C56H1996	L3507-50	P14G7745	ECP83581T-5	P14X3251	VWAM3546T	P18G3340	ECP3665T-4	P18G4900	M3660T
C56H2819	VL5001A	P14G7746	ECP83582T-5	P14X3254	VWAM3554T	P18G3345	ECP3660T	P18G4901	M3663T
C56H3002	VL3501	P14G7747	ECP83583T-5	P14X4200	EWDMM3546T	P18G3347	ECP3663T	P18G4902	M3661T
C56H3003	L3501	P14G7748	ECP83584T-5	P14X4201	EWDMM3558T	P18G3373	ECP3661T-5	P18G4903	M3665T
C56H3041	L3503	P14G7749	ECP83586T-5	P14X4202	EWDMM3546T	P18G3374	ECP3665T-5	P18G4904	M3667T
C56H3133	CL3403	P14G7750	ECP83587T-5	P14X4206	CEWDM3546T	P18G3412	ECP3687T-4	P18G4905	M3664T
C56H3138	CL3501	P14G7803	EM3581T	P14X4207	CEWDM3554T	P18G3425	M3665T-9	P18G4920	M3661T-5
C56H3501	VL3501-50	P14G7804	EM3582T	P14X4212	VEFWM3546T	P18G3435	ECP3667T	P18G4921	M3615T-5
C56H3502	VL3504-50	P14G7805	EM3583T	P14X4213	VEFWM3554T	P18G3436	ECP3664T	P18G5296	ECP83660T-4
C56H3503	VL3507-50	P14G7806	EM3584T	P14X4214	VEWDM3558T	P18G3437	ECP3661T	P18G5298	ECP83663T-4
C56H3504	VL3510-50	P14G7807	EM3586T	P14X4800	WDM3546T	P18G3438	ECP3665T	P18G5300	ECP83667T-5
C56H3660	L3510-50	P14G7808	EM3587T	P14X4801	WDM3554T	P18G3440	ECP83667T-4	P18G5301	ECP83664T-5
C56H5010	VL3503	P14G9241	M3556T	P14X4802	WDM3558T	P18G3441	ECP83664T-4	P18G5302	ECP83660T-5
C56H6702	CWDL3509	P14G9243	NM3546T	P14X4806	CWDM3555T	P18G3443	ECP83661T-4	P18G5303	ECP83661T-5
C56H6703	CWDL3513	P14G9244	M3554T	P14X4807	CWDM3559T	P18G3444	ECP83665T-4	P18G5304	ECP83663T-5
C56H6711	CWDL3507	P14G9245	M3558T	P14X4809	CWDM3546T	P18G3452	ECP83665TR-4	P18G5305	ECP83665T-5
C56H6712	CWDL3510	P14G9247	M3550T	P14X4810	CWDM3554T	P18G3494	VECP3660T-4	P18G7400	EM3667T
C56H6713	CWDL3514	P14G9248	M3555T	P14X4811	CWDM3558T	P18G3750	VCP3661T	P18G7401	EM3664T
C56H6714	CWDL3504	P14G9250	M3546T	P14X4812	VWDM3546T	P18G3751	VCP3661T-4	P18G7402	EM3661T
C56H6721	VWDL3507	P14G9256	VUHM3546T	P14X4815	VWDM3558T	P18G3753	VECP3663T-4	P18G7403	EM3665T
C56H6722	VWDL3510	P14G9257	VUHM3554T	P14X4816	VWDM3554T	P18G3754	VCP3665T	P18G7404	EM3660T
C56H6723	VWDL3514	P14G9258	VUHM3558T	P14X4820	CWDM3554T-5	P18G3755	VCP3665T-4	P18G7405	EM3663T
C56H6724	VWDL3504	P14H1409	M3543T	P14X4821	CWDM3558T-5	P18G3756	VECP3665T-4	P18G7550	CEM3660T
C56H825	CL3405	P14H1446	VM3558T	P14X4827	VWDM3561T	P18G3757	CP3667T	P18G7551	CEM3663T
C56J8022	L5003A	P14H1447	VM3554T	P14X6204	VEBM3558T	P18G3759	VCP3667T	P18T268	IDDRPM18204C
C56J8131	VL5030	P14H1451	VM3550T	P14X9101	EM3546T-5	P18G3760	CP3664T	P18T330	IDDRPM18254C
P14A1201	VRBM3554T	P14H1453	VM3556T	P18A1015	VM3615T	P18G3761	CP3664T-4	P18T331	IDDRPM18304C
P14A1202	VRBM3558T	P14H1474	VM3557T	P18A1585	BM3611T	P18G3762	VCP3664T	P18T348	IDNRP18054C
P14G7504	ECP3580T-4	P14H1475	VM3559T	P18A1586	BM3635T	P18G3763	VCP3660T-4	P18T349	IDNRP18074C
P14G7505	ECP3581T	P14H1701	M3558T-5	P18A1589	VEBM3611T	P18G3764	VCP3663T-4	P18T350	IDFRPM18104C

(1) Baldor has suggested alternate products, however there may be slight differences in performance, efficiency, voltage range, dimensions and mounting. Customers should verify suitability of selected products for their specific application.

Geomotors and Gear Products

Motor Accessories

Grinders

Generators

Servo Motors and Controls

Mod Express

Baldor Education Workshops

Warranties and Sales Policies

Cross Reference and Index

Baldor District Offices

### Reliance to Baldor

	Reliance M/N	Baldor Catalog	Reliance M/N	Baldor Catalog	Reliance M/N	Baldor Catalog	Reliance M/N	Baldor Catalog	Reliance M/N	Baldor Catalog
Gearmotors and Gear Products	P18T359	IDBRPM18154C	P21G3811	VECP3774T	P21T286	IDFRPM21254C	P25G3750	VCP2276T	P28G1051	CECP4103T-4
	P18T369	ZDNRPM18054C	P21G3812	VECP3768T	P21T287	IDBRPM21254C	P25G3751	VECP2276T	P28G1052	CECP4104T-4
	P18T370	ZDNRPM18074C	P21G3822	EM3770T-5	P21T294	IDBRPM21304C	P25G3752	VCP2333T	P28G1060	CM4103T
	P18T371	ZDFRPM18104C	P21G3823	EM3774T-5	P21T397	IDFRPM21154C	P25G3753	VCP2332T	P28G1061	CM4104T
	P18T372	ZDBRPM18154C	P21G3832	CEM3770T	P21T398	IDNRPM21104C	P25G3754	VECP2332T	P28G1062	CM4107T
Motor Accessories	P18T373	ZDBRPM18204C	P21G3833	CEM3774T	P21T399	ZDNRPM21104C	P25G3755	VCP2334T	P28G1063	CM4108T
	P21G1101	VEM3770T	P21G3840	CM3770T	P21T400	ZDFRPM21204C	P25G397	ECP2394T-4	P28G1075	CECP84103T-4
	P21G1102	VEM3774T	P21G3841	CM3774T	P21T401	ZDFRPM21254C	P25G398	ECP4106T-4	P28G1076	CECP84104T-4
	P21G1146	CECP83770T-4	P21G3844	CM3769T	P21T402	ZDBRPM21304C	P25G403	ECP2294T	P28G1079	CECP84103T-5
	P21G1147	CECP83774T-4	P21G3845	CM3771T	P21T403	ZDBRPM21404	P25G404	ECP4106T	P28G1080	CECP84104T-5
Grinders	P21G1150	VECP83770T-4	P21G3846	CM3710T-5	P25G1104	CECP2333T	P25G413	EM2394T-5	P28G1081	CECP84107T-4
	P21G1151	VECP83774T-4	P21G3847	CM3714T-5	P25G1105	CECP2334T	P25G414	EM4106T-5	P28G1082	CECP84108T-4
	P21G1152	CECP83769T-4	P21G3882	VM3770T	P25G1108	CECP2333T-4	P25G4510	CP2394T-4	P28G1088	IDVSM4103T
	P21G1153	CECP83771T-4	P21G3883	VM3774T	P25G1109	CECP2334T-4	P25G4511	CP4106T-4	P28G1089	IDVSM4104T
	P21G1154	VECP83769T-4	P21G3884	VEM3770T-5	P25G1118	CM2333T	P25G4552	M2333T-5	P28G1714	BM4103T
Generators	P21G1155	VECP83771T-4	P21G3885	VEM3774T-5	P25G1119	CM2334T	P25G4554	CP2333T	P28G3103	AEM2332-4
	P21G1160	CECP83770T-5	P21G4003	CECP3769T	P25G1121	CM4106T	P25G4555	CP2334T	P28G3104	AEM2333-4
	P21G1161	CECP83774T-5	P21G4009	ECP3769T-4	P25G1122	CM2333T-5	P25G4564	CP2333T-4	P28G3105	AEM2334-4
	P21G1162	IDVSNM2237T	P21G4056	CECP3771T	P25G1123	CM2334T-5	P25G4565	CP2334T-4	P28G3215	ZDVSM4103T
	P21G1164	IDVSM3774T	P21G4062	ECP3771T-4	P25G1124	CEM2333T	P25G4654	CP2276T	P28G3216	ZDVSM4104T
Servo Motors and Controls	P21G1167	IDVSM3770T	P21G4109	CECP3770T	P25G1136	CECP82333T-4	P25G4655	CP2332T	P28G3217	ZDVSCP4103T
	P21G1184	ZDVSNM2237T	P21G4162	CECP3774T	P25G1137	CECP82334T-4	P25G466	ECP2276T-4	P28G3218	ZDVSCP4104T
	P21G1185	ZDVSM3770T	P21G418	ECP3770T-4	P25G1140	VECP82333T-4	P25G4664	CP2276T-4	P28G3313	ECP4103T-4
	P21G1186	ZDVSM3774T	P21G419	ECP3774T-4	P25G1141	VECP82334T-4	P25G4665	CP2332T-4	P28G3314	ECP4104T-4
	P21G1187	ZDVSCP3770T	P21G4221	ECP3764T-4	P25G1142	CECP82394T-4	P25G467	ECP2332T-4	P28G3315	ECP4103T
Mod Express	P21G1188	ZDVSCP3774T	P21G4274	ECP3768T-4	P25G1143	CECP84106T-4	P25G483	ECP2280T-4	P28G3316	ECP4104T
	P21G2052	AOM3710T	P21G4552	M3770T-5	P25G1144	VECP82394T-4	P25G484	ECP2401T-4	P28G3317	ECP4103T-5
	P21G2053	AOM3714T	P21G4553	M3774T-5	P25G1145	VECP84106T-4	P25G4900	M2394T	P28G3318	ECP4104T-5
	P21G2054	AOM3704T	P21G4704	CP3769T-4	P25G1148	CECP82333T-5	P25G4901	M4106T	P28G3319	ECP4102T
	P21G2055	AOM3708T	P21G4705	CP3771T-4	P25G1149	CECP82334T-5	P25G4902	M2333T	P28G3320	ECP4102T
Baldor Education Workshops	P21G2056	AOM3702T	P21G4750	CP3770T	P25G1150	IDVSNM2333T	P25G4903	M2334T	P28G3321	ECP4100T-5
	P21G2057	AOM3705T	P21G4751	CP3774T	P25G1152	IDVSNM2238T	P25G4904	M2276T	P28G3322	ECP4102T-5
	P21G3108	AEM3782-4	P21G4754	CP3770T-4	P25G1153	IDVSM2333T	P25G4905	M2332T	P28G3371	EM4103T-5
	P21G3109	AEM3783-4	P21G4755	CP3774T-4	P25G1178	ZDVSNM2238T	P25G4923	M2334T-5	P28G3372	EM4104T-5
	P21G3110	AEM3784-4	P21G4850	CP3764T	P25G1179	ZDVSNM2333T	P25G4925	M4106T-5	P28G3402	M4103T-9
Warranties and Sales Policies	P21G3111	AEM3787-4	P21G4851	CP3768T	P25G1180	ZDVSM2333T	P25G5272	ECP82394T-4	P28G3403	M4104T-9
	P21G3315	ECP3768T	P21G4860	CP3764T-4	P25G1181	ZDVSM2334T	P25G5273	ECP84106T-4	P28G3410	ECP64103TR-4
	P21G3317	ECP3769T	P21G4861	CP3768T-4	P25G1182	ZDVSCP2333T	P25G5274	ECP82333T-4	P28G3411	ECP64104TR-4
	P21G3319	ECP3771T	P21G4900	M3769T	P25G1183	ZDVSCP2334T	P25G5277	ECP82332T-4	P28G3750	VCP4100T
	P21G3321	ECP3764T	P21G4901	M3771T	P25G1184	IDVSM2334T	P25G5278	ECP82394T-5	P28G3751	VECP4100T
Cross Reference and Index	P21G3336	ECP3770T-5	P21G4902	M3770T	P25G1190	VECP2333T	P25G5279	ECP84106T-5	P28G3752	VCP4102T
	P21G3337	ECP3774T-5	P21G4903	M3774T	P25G1191	VECP2334T	P25G5280	ECP82333T-5	P28G3753	VCP4103T
	P21G3353	ECP3764T-5	P21G4904	M3764T	P25G1192	VECP2333T-4	P25G5281	ECP82334T-5	P28G3754	VECP4102T
	P21G3354	ECP3768T-5	P21G4905	M3768T	P25G1193	VECP2334T-4	P25G5282	ECP82276T-5	P28G3755	VECP4103T
	P21G3371	ECP3772T-4	P21G5277	ECP83769T-4	P25G1736	BM2353T	P25G5283	ECP82332T-5	P28G397	ECP4107T-4
Baldor Sales Offices	P21G3372	ECP3775T-4	P21G5278	ECP83771T-4	P25G1737	BM2354T	P25G7401	EM2332T	P28G398	ECP4108T-4
	P21G3386	M3770T-9	P21G5281	ECP83768T-4	P25G2058	AOM25904T	P25G7402	EM2333T	P28G399	ECP4107T
	P21G3387	M3774T-9	P21G5282	ECP83764T-4	P25G3104	AEM2275-4	P25G7403	EM2334T	P28G400	ECP4108T
	P21G3392	ECP3770T	P21G5283	ECP83764T-5	P25G3105	AEM2276-4	P25G7404	EM2394T	P28G403	EM4107T-5
	P21G3393	ECP3774T	P21G5284	ECP83768T-5	P25G3106	AEM2237-4	P25G7405	EM4106T	P28G404	EM4108T-5

(1) Baldor has suggested alternate products, however there may be slight differences in performance, efficiency, voltage range, dimensions and mounting. Customers should verify suitability of selected products for their specific application.

### Reliance to Baldor

Reliance M/N	Baldor Catalog	Reliance M/N	Baldor Catalog	Reliance M/N	Baldor Catalog	Reliance M/N	Baldor Catalog	Reliance M/N	Baldor Catalog
P28G4903	M4104T	P32G3750	VCP4111T	P36G3221	IDVSM4314T	P40G296	EM2556T-4	P44G4400	M2562T-4
P28G4904	M4100T	P32G3751	VECP4111T	P36G3222	IDVSM4316T	P40G302	EM2552T-4	P44G4401	M2565T-4
P28G4905	M4102T	P32G394	EM4109T	P36G3304	ECP4314T-4	P40G305	ECP4400TS-4	P44G4409	M4410TS-4
P28G4921	M4104T-5	P32G395	EM4114T	P36G3305	ECP4316T-4	P40G3207	IDVSM4400T-4	P44G4410	M4406TS-4
P28G4922	M4107T-5	P32G397	ECP4109T-4	P36G3310	ECP4314T	P40G3217	ZDVSM4400T-4	P44G4500	M4412T-4
P28G4923	M4108T-5	P32G398	ECP4114T-4	P36G3312	ECP4314T-5	P40G332	EM4400T	P44G4501	M4413T-4
P28G5276	ECP84107T-4	P32G399	ECP4109T	P36G3313	ECP4316T-5	P40G334	EM4403T	P44G4502	ECP4412T
P28G5277	ECP84108T-4	P32G400	ECP4114T	P36G3314	ECP4308T	P40G335	EM4404T	P44G4503	ECP4413T
P28G5278	ECP84103T-4	P32G403	EM4109T-5	P36G3315	ECP4312T	P40G381	AEM4308-4	P44G4509	M4407TS-4
P28G5279	ECP84104T-4	P32G404	EM4114T-5	P36G3326	EM4314T	P40G382	AEM4312-4	P44G455	EM2558T-4
P28G5280	ECP84100T-4	P32G4500	M4109T	P36G3336	EM4314T-5	P40G383	AEM4314-4	P44G4550	M4410T-4
P28G5281	ECP84102T-4	P32G4501	M4114T	P36G3337	EM4316T-5	P40G4500	M4402T-4	P44G4551	M4406T-4
P28G5282	ECP84107T-5	P32G4502	M4109T-5	P36G3356	EM4316T	P40G4501	ECP4402T	P44G4553	CP4406T-4
P28G5283	ECP84108T-5	P32G4505	M4114T-5	P36G3357	M4314T-9	P40G4550	M4400T	P44G4554	M4410T-5
P28G5284	ECP84103T-5	P32G4512	CP4109T-4	P36G3358	M4316T-9	P40G4552	M4400T-5	P44G4555	M4406T-5
P28G5285	ECP84104T-5	P32G4550	M4110T	P36G3364	ECP4316T	P40G4554	M4400TS	P44G4650	M4409T
P28G5286	ECP84100T-5	P32G4551	M4115T	P36G3365	ECP84316T-4	P40G4561	CP4400T-4	P44G4651	M4411T-4
P28G5287	ECP84102T-5	P32G4552	M4110T-5	P36G3368	ECP64314TR-4	P40G462	ECP84402T-4	P44G5048	EM2566T-4
P28G7400	EM4100T	P32G4553	M4115T-5	P36G3369	ECP64316TR-4	P40G463	ECP84400T-4	P44G5049	EM2569T-4
P28G7401	EM4102T	P32G4554	CP4110T	P36G374	EM4310T	P40G464	ECP84403T-4	P44G5136	ECP4416T-4
P28G7402	EM4103T	P32G4555	CP4115T	P36G375	EM4313T	P40G465	ECP84404T-4	P44G5138	ECP4407TR-4
P28G7403	EM4104T	P32G4564	CP4110T-4	P36G397	ECP4310T-4	P40G4650	M4403T	P44G5139	ECP4408TR-4
P28G7404	EM4107T	P32G4565	CP4115T-4	P36G398	ECP4313T-4	P40G4651	M4404T	P44G5140	ECP44304TR-4
P28G7405	EM4108T	P32G4650	M4111T	P36G401	ECP4310T	P40G4652	CP4403T	P44G5141	ECP44156TR-4
P28L232	IDBRPM281004	P32G4651	M4117T	P36G402	ECP4313T	P40G4653	CP4404T	P44G5142	ECP44206TR-4
P28L233	IDDRPM282004	P32G4652	CP4111T	P36G4500	M4310T	P40G473	ECP84402T-5	P44G5153	ECP4407TS-4
P28L237	IDDRPM281256	P32G4653	CP4117T	P36G4501	M4313T	P40G474	ECP84400T-5	P44G5171	EM4407TR-4
P28L238	IDDRPM281506	P32G466	ECP4111T-4	P36G4550	M4314T	P40G475	ECP84403T-5	P44G5182	ECP44256TR-4
P28L239	IDDRPM281006	P32G4662	CP4111T-4	P36G4551	M4316T	P40G476	ECP84404T-5	P44G5183	ECP44302T-4
P28L280	ZDBRPM281004	P32G4663	CP4117T-4	P36G4552	CP4314T	P40G484	CM4400T	P44G5184	ECP44352T-4
P32G1036	CECP4110T	P32G467	ECP4117T-4	P36G4553	CP4316T	P40G491	EM4400T-5	P44G519	EM4410T-4
P32G1038	CM4110T	P32G483	ECP4112T-4	P36G4554	M4314T-5	P40G578	CTM1769T	P44G5197	ECP44252T-4
P32G1039	CM4115T	P32G5243	ECP84109T-4	P36G4555	M4316T-5	P40G583	CR4400TR-4	P44G520	EM4406T-4
P32G1055	CECP84110T-4	P32G5244	ECP84114T-4	P36G4572	CP4314T-4	P40L1301	ZDBRPM402004	P44G5210	ECP4407T-4
P32G1056	CECP84115T-4	P32G5245	ECP84110T-4	P36G4573	CP4316T-4	P40L1315	IDDRPM405004	P44G5212	ECP4407T-5
P32G1060	CECP84114T-5	P32G5246	ECP84115T-4	P36G462	EM4308T	P40L1316	IDDRPM406004	P44G5259	ECP844156T-4
P32G1061	CECP84115T-5	P32G5247	ECP84111T-4	P36G463	EM4312T	P40L201	IDBRPM402004	P44G5260	ECP844206T-4
P32G1062	CECP84109T-4	P32G5248	ECP84117T-4	P36G4650	M4308T	P40L202	IDBRPM402504	P44G5261	ECP84407T-4
P32G1063	CECP84114T-4	P32G5249	ECP84109T-5	P36G4651	M4312T	P40L203	IDBRPM403004	P44G5264	ECP84407T-5
P32G1069	CECP4115T	P32G5250	ECP84114T-5	P36G4652	CP4308T	P40L205	IDDRPM403006	P44G5265	ECP44402T-4
P32G3104	AEM4100-4	P32G5251	ECP84110T-5	P36G4653	CP4312T	P40L237	IDDRPM404006	P44G5634	ECP44202T-4
P32G3105	AEM4102-4	P32G5252	ECP84115T-5	P36G466	ECP4308T-4	P44G1543	CR4409TR-4	P44G612	AEM4403-4
P32G3106	AEM4103-4	P32G5253	ECP84111T-5	P36G467	ECP4312T-4	P44G1544	CR4411TR-4	P44G613	AEM4404-4
P32G3107	AEM4104-4	P32G5254	ECP84117T-5	P36G5232	ECP84310T-4	P44G1545	CR4410TR-4	P44G614	AEM4316-4
P32G3221	ZDVSM4110T	P32G6616	CTM1765T	P36G5233	ECP84313T-4	P44G1546	CR4406TR-4	P44G615	AEM4400-4
P32G3222	ZDVSM4115T	P32G6617	CTM1766T	P36G5234	ECP84314T-4	P44G1547	ECP841156TR-4	P44G617	ECP4410T-5
P32G3223	ZDVSCP4110T	P32L228	IDBRPM321504	P36G5236	ECP84308T-4	P44G1548	CR44206TR-4	P44G618	ECP4406T-5
P32G3224	ZDVSCP4115T	P32L229	IDDRPM323004	P36G5237	ECP84312T-4	P44G1549	CR44256TR-4	P44G6401	M4407TR-4
P32G3225	IDVSM4110T	P32L230	IDBRPM321254	P36G5240	ECP84310T-5	P44G1550	CR4407TR-4	P44G6403	CP44404T-4
P32G3226	IDVSM4115T	P32L233	IDDRPM322006	P36G5241	ECP84313T-5	P44G1552	CR44304TR-4	P44G6404	CP44204TR-4
P32G3319	ECP4115T-4	P32L234	IDDRPM322504	P36G5242	ECP84314T-5	P44G1553	CR44354TR-4	P44G6500	M4408TR-4
P32G3320	ECP4110T-4	P32L235	IDDRPM321506	P36G5243	ECP84316T-5	P44G1747	ECP44156T-4	P44G6503	M4408TS-4
P32G3323	ECP4110T	P32L273	ZDBRPM321254	P36G5244	ECP84308T-5	P44G3207	IDVSM4410T-4	P44G6700	M2568T-4
P32G3324	ECP4115T	P32L274	ZDBRPM321504	P36G5245	ECP84312T-5	P44G3208	IDVSM4406T-4	P44G6701	M2571T-4
P32G3325	ECP4110T-5	P36G1015	CM4314T	P36G6574	CTM1767T	P44G3213	IDVSM4407T-4	P44G701	ECP84412T-4
P32G3326	ECP4115T-5	P36G1016	CM4316T	P36G6575	CTM1768T	P44G3214	IDVSM4408T-4	P44G702	ECP84413T-4
P32G3327	ECP4111T	P36G1035	CECP84314T-4	P36L207	IDDRPM362504	P44G3215	IDVSM44304T-4	P44G703	ECP84410T-4
P32G3328	ECP4117T	P36G1036	CECP84316T-4	P36L210	IDDRPM363504	P44G3247	ZDVSM4410T-4	P44G704	ECP84406T-4
P32G3329	ECP4111T-5	P36G1039	CECP84310T-4	P36L212	IDDRPM364004	P44G3248	ZDVSM4406T-4	P44G705	ECP84409T-4
P32G3345	EM4110T	P36G1040	CECP84313T-4	P36L237	IDBRPM362004	P44G3249	IDBRPM4407T-4	P44G706	ECP84411T-4
P32G3346	EM4115T	P36G128	EM2544T	P36L239	ZDBRPM362004	P44G3250	ZDVSM4408T-4	P44G708	ECP844252T-4
P32G3349	EM4111T	P36G163	EM2540T	P40G240	ECP4400T-4	P44G3251	ZDVSM44304T-4	P44G709	ECP84407TR-4
P32G3350	EM4117T	P36G3104	AEM4111-4	P40G241	ECP4402T-4	P44G359	ECP4410T-4	P44G710	ECP84408TR-4
P32G3381	EM4110T-5	P36G3105	AEM4117-4	P40G242	ECP4403T-4	P44G360	ECP4406T-4	P44G711	ECP844156TR-4
P32G3409	M4110T-9	P36G3106	AEM4307-4	P40G243	ECP4404T-4	P44G362	ECP4412T-4	P44G712	ECP844206TR-4
P32G3410	M4115T-9	P36G3107	AEM4311-4	P40G274	ECP4400T-5	P44G363	ECP4413T-4	P44G7160	CR44206TR-4
P32G3418	ECP64110TR-4	P36G3219	ZDVSM4314T	P40G274	ECP4403T	P44G364	ECP4409T-4	P44G723	ECP84412T-5
P32G3419	ECP64115TR-4	P36G3220	ZDVSM4316T	P40G276	ECP4404T	P44G365	ECP4411T-4	P44G724	ECP84413T-5

(1) Baldor has suggested alternate products, however there may be slight differences in performance, efficiency, voltage range, dimensions and mounting. Customers should verify suitability of selected products for their specific application.

Gearmotors and Gear Products

Motor Accessories

Grinders

Generators

Servo Motors and Controls

Mod Express

Baldor Education Workshops

Warranties and Sales Policies

Cross Reference and Index

Baldor District Offices



### Reliance to Baldor

	Reliance M/N	Baldor Catalog	Reliance M/N	Baldor Catalog	Reliance M/N	Baldor Catalog	Reliance M/N	Baldor Catalog	Reliance M/N	Baldor Catalog
Gearmotors and Gear Products	P44G725	ECP84410T-5	P56H1573	CUHM3546	P56H7212	VBNM3538-D	P56X4720	WDM3538	T25S301	D2515R
	P44G726	ECP84406T-5	P56H1590	VUHM3538	P56H7214	VBM3546-D	P56X4721	WDM3542	T25S302	D5515R
	P44G727	ECP84409T-5	P56H1591	VUHM3542	P56H7215	VBM3554-D	P56X4725	CWDM3538-5	T25S303	D2520R
	P44G728	ECP84411T-5	P56H1592	VUHM3546	P56H7216	VBM3558-D	P56X4726	CWDM3542-5	T25S304	D5520R
Motor Accessories	P44G729	ECP84416T-5	P56H1595	VM3539	P56H7302	BM3538-S	P56X4727	CWDM3546-5	T25T1339	D5050RS-BV
	P44G730	ECP844252T-5	P56H1601	M3542-5	P56H7303	BM3542-S	P56X4745	VWDM3559	T25T1342	D5030RS-BV
	P44G731	ECP84407TR-5	P56H1602	M3538-5	P56H7304	BM3546-S	P56X5040	CAM3454	T25T1344	D5040RS-BV
	P44G732	ECP84408TR-5	P56H1632	CM3558-5	P56H7312	VBM3538-S	P56X5044	CAM3534	T25T1355	D5140R-BV
Grinders	P44G748	EM4410T-5	P56H1637	VM3542-5	P56H7313	VBM3542-S	P56X5046	CAM3537	T25T1359	D5150R-BV
	P44G749	EM4406T-5	P56H1638	VM3538-5	P56H7314	VBM3546-S	P56X5047	CAM3538	T25T1364	D5160R-BV
	P44L1320	IDDRPM447004	P56H1641	VM3545-5	P56H7315	VBM3554-S	P56X5049	CAM3541	T25T2348	D5060R-BV
	P44L1344	IDDRPM4410004	P56H1740	VM3554-5	P56H7316	VBM3558-S	P56X5050	CAM3542	T25T2349	D5075R-BV
Generators	P44L1358	IDDRPM445006	P56H1741	VM3546-5	P56H7318	VBM3546-5S	P56X5052	CAM3545	T25T2350	D50100R-BV
	P48H1301	M3458	P56H1787	BM3538	P56H7321	VBM3538-5S	P56X6201	VEBNM3542	T28S1313	D5050R
	P48H1302	M3454	P56H1788	BM3542	P56X1301	NM3542	P56X7201	VBNM3542-D	T28S1314	D5060R
	P48H1305	M3460	P56H1789	BM3546	P56X1302	NM3538	P56X7202	VBNM3546-D	T28S301	D2525R
Servo Motors and Controls	P48H1306	M3457	P56H1791	BM3558	P56X1311	NM3454/35	P56X7203	VBNM3554-D	T28S302	D5525R
	P48H1310	AOM3455	P56H1795	VBM3538	P56X1313	EM3538	T18R1005	D2505R	T28S303	D5530R
	P48H1311	M3452	P56H1796	VBM3542	P56X1318	EM3545	T18R1009	CD2003R-2	T28T1327	D5075RS-BV
	P48H1527	AOM3458	P56H1797	VBM3546	P56X1319	EM3546	T18R1010	CD2005R-2	T28T1330	D5060RS-BV
Mod Express	P48H1528	AOM3454	P56H1798	VBM3554	P56X1333	VEM3538	T18R1011	CD2007R-2	T28T1333	D50125R-BV
	P56A1200	VRBM3538	P56H1799	VEBM3558	P56X1336	VEM3545	T18R1102	CD1803R	T28T1334	D50150R-BV
	P56A1201	VRBM3542	P56H1800	JM3457	P56X1337	VENM3542	T18R1105	CD1805R	T28T1342	D5175R-BV
	P56H1020	CM3538-8	P56H1801	JM3460	P56X1437	NM3546	T18R1117	D1802R	T28T1344	D51100R-BV
Baldor Education Workshops	P56H1178	CM3546-8	P56H1802	JM3463	P56X1441	VNM3546	T18R1118	D1803R	T28T1349	D50125UR-BV
	P56H1301	M3542	P56H1803	JM3545	P56X1512	EM3556	T18R1119	D1815R	T28T1350	D50150UR-BV
	P56H1302	NM3538/35	P56H1804	JM3550	P56X1513	EM3550	T18R1120	CDD1803R	T32S301	D5540R
	P56H1303	M3545	P56H1805	JM3555	P56X1514	EM3554	T18R1127	D2003R	T32S302	D5550R
Warranties and Sales Policies	P56H1304	M3541	P56H1806	JM3559	P56X1515	EM3555	T18R1301	D2007R	T32T1314	D50100RS-BV
	P56H1305	NM3539	P56H1808	JM3458	P56X1516	EM3558	T18R1302	D2010R	T32T1318	D50125RS-BV
	P56H1306	AOM3535	P56H1809	JM3461	P56X1520	KENM3454	T18R1307	D5010R	T32T1322	D50200R-BV
	P56H1319	CM3542	P56H1810	JM3542	P56X1523	KENM3534	T18R1318	D2005R	T32T1327	D51125RR-BV
Cross Reference and Index	P56H1321	CM3545	P56H1811	JM3546	P56X1524	KENM3535	T18R1333	D5003R	T36S1313	D50150RS-BV
	P56H1322	CM3541	P56H1812	JM3554	P56X1532	VEM3556	T18R1334	D5005R	T36S1314	D50200RS-BV
	P56H1332	CNM3539	P56H1813	JM3558	P56X1533	VEM3550	T18R1335	D5007R	T36S1318	D50250RR-BV
	P56H1337	VM3542	P56H1823	CJM3545	P56X1534	VEM3554	T21S1001	D2010R-2	T36S1319	D50300R-BV
Baldor Sales Offices	P56H1338	VNM3538	P56H1829	CJM3538	P56X1535	VEM3555	T21S1101	CD2105R	T36S1323	D51150RR-BV
	P56H1339	VM3555	P56H1830	CJM3542	P56X1536	VEM3558	T21S1322	D5015R	T36S1325	D51200R-BV
	P56H1340	VM3550	P56H3002	KNM3534	P56X1738	VENM3538	T21S1323	D5020R	T40S1306	D50250RS-BV
	P56H1341	VM3545	P56H3003	KNM3454	P56X3150	VEM3542	T21S1324	D5025R	T40S1309	D50300RS-BV
	P56H1342	VM3541	P56H3005	M3534	P56X3151	VEM3546	T21S1330	D2015R	T40S1311	D50400RS-BV
	P56H1344	VM3535	P56H3017	M3556	P56X3160	CUHM3558	T21S1331	D2020R	T40S1314	D50400R-BV
	P56H1355	KM3454	P56H3020	M3543	P56X3161	CUHM3554	T21S1332	D2025R	T40S1317	D51250R-BV
	P56H1426	VM3537	P56H3119	CM3534	P56X3162	CNM3546	T21S201	D5505R	T40S1320	D51300R-BV
	P56H1427	KM3457	P56H3120	CM3538	P56X3163	CNM3542	T21S301	D2507R	T44T1304	D51400R-BV
	P56H1429	AOM3542	P56H3125	CM3543	P56X3164	CNM3538/35	T21S302	D5507R	T44T1305	D50500R-BV
	P56H1430	AOM3538	P56H3128	VM3543	P56X3166	CNM3454/35	T21S303	D2510R	T44T1306	D51500R-BV
	P56H1431	AOM3539	P56H3131	CM3546	P56X3170	CM3555	T21S304	D5510R	P14X1332	VM3554T-5
	P56H1433	M3531	P56H3146	CM3556	P56X3171	CM3550/35	T21T1342	D5010RS-BV		
	P56H1436	M3554	P56H3149	VM3556	P56X363	VUHM3554	T21T1344	D5020RS-BV		
	P56H1437	M3546	P56H3157	CM3550	P56X365	VUHM3558	T21T1345	D5025RS-BV		
	P56H1438	M3555	P56H3159	CM3559	P56X4700	CWDM3537	T21T1346	D5015RS-BV		
	P56H1439	M3550	P56H3161	CM3554	P56X4701	CWDM3541	T21T1350	D5020R-BV		
	P56H1440	VM3554	P56H3165	CM3555/35	P56X4702	CWDM3545	T21T1351	D5025R-BV		
	P56H1441	VM3546	P56H3986	AOM3543	P56X4703	CWDM3550	T21T1352	D5030R-BV		
	P56H1445	VM3559	P56H4333	VM3534-50	P56X4704	CWDM3555	T21T1359	D2015R-BV		
	P56H1451	M3558	P56H4334	VM3538-50	P56X4706	CWDM3538	T21T1363	D2020R-BV		
	P56H1474	VM3558	P56H4335	VM3546-50	P56X4707	CWDM3542	T21T1364	D5015R-BV		
	P56H1476	CM3558	P56H4337	VM3542-50	P56X4708	CWDM3546	T21T1371	D2025R-BV		
	P56H1516	CM3537	P56H4897	VFWDM3538	P56X4709	CWDM3554	T21T1375	D2030R-BV		
	P56H1517	CM3539	P56H4898	VFWDM3542	P56X4710	CWDM3558	T21T1378	D5130R-BV		
	P56H1530	M3532	P56H5050	VM3531	P56X4711	CWDM3539	T21T1380	D2040R-BV		
	P56H1532	M3560	P56H5068	M3538	P56X4712	CWDM3543	T21T1384	CD2015R-BV		
	P56H1540	M3537	P56H5069	VM3538	P56X4714	VWDM3558	T21T2353	D5040R-BV		
	P56H1543	M3559	P56H7202	BNM3538-D	P56X4715	VWDM3538	T21T2354	D5050R-BV		
	P56H1545	M3538/35	P56H7203	BNM3542-D	P56X4716	VWDM3542	T25S1322	D5030R		
	P56H1547	M3546/35	P56H7204	BNM3546-D	P56X4717	VWDM3546	T25S1323	D5040R		
	P56H1571	CUHM3542	P56H7205	BNM3554-D	P56X4718	VWDM3554	T25S1330	D2030R		

(1) Baldor has suggested alternate products, however there may be slight differences in performance, efficiency, voltage range, dimensions and mounting. Customers should verify suitability of selected products for their specific application.

Catalog Number	Page Number	List Price	Mult Sym	Ship Wgt <sup>(1)</sup>	Type	Alternate Cat Number <sup>(2)</sup>
09-1309	386	328	A8	22		
09-1310	386	496	A8	22		
09CB5001A01SP	396	67	P1	3		
09CB5001A15SP	396	53	P1	3		
100FN4042	304, 307	6,835	VS50D	122		
100FR4042	304, 307	7,650	VS50D	122		
100V2060	260	16,184	VS1AC	178		
100V4060	260	13,480	VS1AC	102		
10-1304	386	365	A8	32		
10-1305	386	381	A8	32		
1021W	399	1,082	G1	134		1021WD
1021WD	399	1,239	G1	146		1021W
1022W	399	1,098	G1	133		1022WD
1022WD	399	1,257	G1	145		1022W
105W	399	1,082	G1	133		129W
10CB5001A01SP	396	90	P1	6		
10CB5002A01SP	396	109	P1	4		
10EP1502A01SP	389	484	A8	39		
10FN4042	303, 306	3,885	VS50D	44		
10FR4042	303, 306	4,395	VS50D	46		
10V2160	259	2,250	VS1AC	24		
10V2260	260	2,365	VS1AC	26		
10V4160	259	3,097	VS1AC	26		
10V4260	260	3,129	VS1AC	26		
110FN3042	310	5,600	VS50D	58		
110FR3042	310	6,210	VS50D	58		
111	402	312	G1	25		333B
114	402	312	G1	24		332B
12-1105	386	469	A8	48		
1215W	400	2,469	G1	253		1216W
1216W	400	2,557	G1	254		1406W
1217W	400	2,615	G1	259		1022WD
1250	402	1,889	G1	164	3634L	
1251	402	1,834	G1	160		
1252	402	1,734	G1	156		
1253	402	1,685	G1	156		
125FN4042	304, 307	7,140	VS50D	122		
125FN8742	311	4,115	VS50D	31		
125FR4042	304, 307	7,955	VS50D	122		
125FR8742	311	4,750	VS50D	50		
125R4160	259	29,021	VS1AC	380		
125V4060	260	15,519	VS1AC	165		
126ER4060	261	2,098	VS1AC	13		
126ET4060	261	2,517	VS1AC	16		
129W	400	2,557	G1	256		1408W
12EP1501A03SP	389	836	A8	50		
133-6FBA	385	57	A8	1		
1406W	400	3,168	G1	359		1407W
1407W	400	3,456	G1	372		1406W
1408W	400	3,168	G1	358		1409W
1409W	400	3,456	G1	374		1408W
1410W	400	3,168	G1	362		1411W

Catalog Number	Page Number	List Price	Mult Sym	Ship Wgt <sup>(1)</sup>	Type	Alternate Cat Number <sup>(2)</sup>
1411W	400	3,456	G1	381		1410W
14-1303	386	831	A8	50		
14-1401	386	670	A8	60		
14-1704	386	608	A8	57		
1453	402	2,278	G1	223		
1454	402	2,408	G1	229		
1457	402	2,532	G1	228		
1458	402	2,155	G1	218		
14EP1601A01SP	389	589	A8	61		
14EP1705A01SP	389	1,019	A8	73		
150ER4060	261	2,528	VS1AC	13		
150ET4060	261	3,031	VS1AC	15		
150FN4042	304, 307	7,750	VS50D	122		
150FR4042	304, 307	8,570	VS50D	122		
150V4060	260	19,114	VS1AC	188		
15FN4042	303, 306	4,040	VS50D	46		
15FR4042	303, 306	4,550	VS50D	48		
15V2160	259	3,721	VS1AC	41		
15V2260	260	3,738	VS1AC	43		
15V4160	259	3,933	VS1AC	38		
15V4260	260	3,977	VS1AC	40		
16-1400	386	905	A8	78		
16-1704	386	831	A8	76		
16EP1501A01SP	389	1,309	A8	75		
16EP1601A01SP	389	1,243	A8	67		
180-5002	388	752	A8	18		
18-1202	386	1,134	A8	128		
18-1203	386	1,079	A8	118		
18-1302	386	1,087	A8	139		
18-1304	386	1,196	A8	163		
18EP1500A01SP	389	1,593	A8	168		
18EP1506A01SP	389	1,648	A8	155		
18EP1600A01SP	389	1,805	A8	97		
1SU11001	256	714	VS1AC	8		
1SU21001	256, 257	659	VS1AC	8		
1SU21002	256, 257	812	VS1AC	8		
1SU21003	256, 257	1,184	VS1AC	22		
1SU21005	256, 257	1,353	VS1AC	22		
1SU24001	256	780	VS1AC	8		
1SU24002	256	1,098	VS1AC	23		
1SU24003	256	1,362	VS1AC	23		
1SU24005	256	1,488	VS1AC	23		
1SU41001	256	940	VS1AC	15		
1SU41002	256	1,093	VS1AC	15		
1SU41003	256	1,252	VS1AC	16		
1SU41005	256	1,582	VS1AC	16		
1SU41007	256, 257	1,923	VS1AC	23		
1SU41010	256, 257	2,389	VS1AC	23		
1SU41015	256, 257	3,366	VS1AC	36		
1SU41020	256, 257	4,012	VS1AC	37		
1SU42015	256	3,911	VS1AC	37		
1SU42020	256	4,659	VS1AC	37		

<sup>(1)</sup> Shipping weight is approximate.

<sup>(2)</sup> Baldor has suggested alternate products, however there may be slight differences in performance, efficiency, voltage range, dimensions and mounting. Customers should verify suitability of selected products for their specific application.

Gearmotors and Gear Products

Motor Accessories

Grinders

Generators

Servo Motors and Controls

Mod Express

Baldor Education Workshops

Warranties and Sales Policies

Cross Reference and Index

Baldor District Offices



Gearmotors and Gear Products

Motor Accessories

Grinders

Generators

Servo Motors and Controls

Mod Express

Baldor Education Workshops

Warranties and Sales Policies

Cross Reference and Index

Baldor Sales Offices

Catalog Number	Page Number	List Price	Mult Sym	Ship Wgt <sup>(1)</sup>	Type	Alternate Cat Number <sup>(2)</sup>
1SU44001	256	1,114	VS1AC	15		
1SU44002	256	1,294	VS1AC	15		
1SU44003	256	1,483	VS1AC	16		
1SU44005	256	1,874	VS1AC	16		
1SU44007	256	2,277	VS1AC	23		
1SU44010	256	2,439	VS1AC	24		
1SU51001	256	1,035	VS1AC	15		
1SU51002	256	1,201	VS1AC	15		
1SU51003	256	1,379	VS1AC	16		
1SU51005	256	1,741	VS1AC	16		
1SU51007	256	2,116	VS1AC	23		
1SU51010	256	2,630	VS1AC	23		
1SU54001	256	1,226	VS1AC	15		
1SU54002	256	1,424	VS1AC	15		
1SU54003	256	1,631	VS1AC	16		
1SU54005	256	2,061	VS1AC	16		
1SU54007	256	2,506	VS1AC	23		
1SU54010	256	3,114	VS1AC	23		
1V2160	259	1,546	VS1AC	17		
1V2460	260	1,581	VS1AC	17		
1V4160	259	1,399	VS1AC	18		
1V4460	260	1,415	VS1AC	19		
200FB4042	305, 308	19,100	VS50D	350		
200FN4042	305, 308	12,035	VS50D	273		
200FN8742	311	4,895	VS50D	42		
200FR8742	311	5,825	VS50D	77		
200V4060	260	19,605	VS1AC	185		
200V4160	259	30,186	VS1AC	850		
200V4160DS	259	32,940	VS1AC	900		
2048-151D	402	1,322	G1	88		248-151TD
2048-153D	402	1,279	G1	76		248-153TD
20FN4042	303, 306	4,070	VS50D	46		
20FN8742	311	3,570	VS50D	22		
20FR4042	303, 306	4,580	VS50D	48		
20FR8742	311	3,925	VS50D	36		
20V2160	259	4,609	VS1AC	42		
20V2260	260	4,611	VS1AC	43		
20V4160	259	4,677	VS1AC	39		
20V4260	260	4,727	VS1AC	40		
210-5001	388	902	A8	12		
240ER4060	261	3,114	VS1AC	25		
240ET4060	261	3,737	VS1AC	27		
248-151AS	402	1,560	G1	105		
248-151TD	402	1,448	G1	95		2048-151D
248-153TD	402	1,405	G1	84		248-153TD
248-181TD	402	1,702	G1	138		
248-183TD	402	1,654	G1	128		
250-5001	388	1,391	A8	75		
250FB4042	305, 308	19,360	VS50D	350		
250FN4042	305, 308	12,545	VS50D	281		
250V4160	259	33,372	VS1AC	877		
250V4160DS	259	35,910	VS1AC	880		

Catalog Number	Page Number	List Price	Mult Sym	Ship Wgt <sup>(1)</sup>	Type	Alternate Cat Number <sup>(2)</sup>
25FN4042	306	4,335	VS50D	49		
25FR4042	306	4,845	VS50D	51		
25G4160	259	5,078	VS1AC	39		
25G4260	260	5,128	VS1AC	40		
25V4160	259	6,738	VS1AC	64		
25V4260	260	6,809	VS1AC	66		
265FN3042	310	8,160	VS50D	146		
265FR3042	310	9,080	VS50D	122		
280-5002	388	1,843	A8	57		
29FN3042	310	4,550	VS50D	58		
29FR3042	310	5,060	VS50D	58		
2AX3000	261	573	VS1AC	1		
2CK4100	261	702	VS1AC	19		
2CK4125	261	767	VS1AC	21		
2CK4160	261	378	VS1AC	12		
2CK4200	261	821	VS1AC	32		
2CN3000	261	951	VS1AC	1		
2CS3000	311	418	E8	1		
2CS3000	320	418	E8	1		
2DB2005	257	1,018	VS1AC	8		
2DB4010	257	1,235	VS1AC	18		
2DB4020	257	1,808	VS1AC	23		
2DF2282	257	1,043	VS1AC	10		
2DF4283	257	735	VS1AC	11		
2DF4284	257	827	VS1AC	17		
2DF4285	257	2,160	VS1AC	30		
2DV3000	261	1,026	VS1AC	1		
2LB3000	261	897	VS1AC	1		
2PB3000	261	1,134	VS1AC	1		
2RK3000	261	508	VS1AC	4		
2SI3000	261	621	VS1AC	2		
2SI3000E	261	621	VS1AC	2		
2V2160	259	1,615	VS1AC	17		
2V2460	260	1,646	VS1AC	18		
2V4160	259	1,512	VS1AC	18		
2V4460	260	1,528	VS1AC	19		
300ER4060	261	3,904	VS1AC	22		
300ET4060	261	4,682	VS1AC	28		
300FB4042	305, 308	20,300	VS50D	300		
300FN4042	305, 308	12,545	VS50D	286		
300V4160	259	39,602	VS1AC	850		
300V4160DS	259	42,653	VS1AC	875		
30FN4042	303, 306	4,385	VS50D	55		
30FR4042	303, 306	4,895	VS50D	56		
30V2060	260	9,153	VS1AC	77		
30V4060	260	7,074	VS1AC	51		
30V4160	259	8,340	VS1AC	64		
30V4260	260	8,428	VS1AC	66		
317C160D	311, 318	600	VS50D	2		
31ER4060	261	1,804	VS1AC	12		
31ET4060	261	2,044	VS1AC	15		
320-5002	388	2,569	A8	87		

(1) Shipping weight is approximate.

(2) Baldor has suggested alternate products, however there may be slight differences in performance, efficiency, voltage range, dimensions and mounting. Customers should verify suitability of selected products for their specific application.

Catalog Number	Page Number	List Price	Mult Sym	Ship Wgt <sup>(1)</sup>	Type	Alternate Cat Number <sup>(2)</sup>
330B	402	600	G1	56		412B
332B	402	614	G1	55		407B
333B	402	614	G1	56		410B
334B	402	600	G1	54		412B
33CB5000A01SP	396	30	P1	1		
33CB5001A01SP	396	30	P1	1		
340	406	383	G1	32		353T
34-171	386	49	A8	2		
342	406	383	G1	31		
34-3900T	386	49	A8	1		
34-3903A	386	60	A8	2		
34-3903T	386	63	A8	2		
34CB5001A01SP	396	29	P1	1		
350V4160	259	41,646	VS1AC	850		
350V4160DS	259	44,697	VS1AC	900		
35-1300	386	99	A8	6		
35-1325	386	128	A8	11		
35-1409	386	143	A8	11		
353T	406	420	G1	35		380T
35-8762	386	58	A8	3		
35-8764	386	58	A8	3		
359T	406	421	G1	36		353T
35CB5001A01SP	396	32	P1	1		
35EP1506A01SP	389	178	A8	8		
35EP1604A01SP	389	174	A8	8		
360-5001	388	3,942	A8	121		
36-1037	386	113	A8	7		
36-1206A	386	146	A8	13		
36-1206B	386	154	A8	14		
36-1749	386	144	A8	12		
36-3301	386	82	A8	5		
36-3403	386	96	A8	5		
36-486	386	161	A8	8		
36CB5001A01SP	396	34	P1	1		
36CB5001A06SP	396	39	P1	2		
36CB5001A07SP	396	58	P1	2		
36EP1304A62SP	389	196	A8	15		
36EP1405A09SP	389	193	A8	8		
37-1302	386	243	A8	18		
37-1304	386	159	A8	12		
37-1402	386	228	A8	18		
37-1404	386	192	A8	14		
375FN8742	311	7,140	VS50D	42		
375FR8742	311	8,260	VS50D	82		
37CB5002A06SP	396	39	P1	2		
37CB5002A07SP	396	34	P1	4		
380T	406	468	G1	42		380WCT
380WCT	406	1,077	G1	47		380T
38ER4060	261	1,827	VS1AC	12		
38ET4060	261	2,090	VS1AC	15		
39-1403	386	342	A8	21		
39-3400	386	213	A8	19		

Catalog Number	Page Number	List Price	Mult Sym	Ship Wgt <sup>(1)</sup>	Type	Alternate Cat Number <sup>(2)</sup>
3FN4042	303, 306	3,870	VS50D	44		
3FR4042	303, 306	4,380	VS50D	46		
3V2160	259	1,678	VS1AC	17		
3V2460	260	1,713	VS1AC	18		
3V4160	259	1,718	VS1AC	18		
3V4460	260	1,736	VS1AC	19		
400-5001	388	4,774	A8	173		
400FN4041	309	19,025	VS50D	546		
400FR4041	309	30,090	VS50D	500		
400V4160	259	45,418	VS1AC	850		
400V4160DS	259	48,469	VS1AC	900		
40-1400	386	347	A8	30		
40-1401	386	356	A8	40		
407B	402	815	G1	60		410B
409B	402	782	G1	59		
40FN4042	303, 306	5,201	VS50D	57		
40FR4042	303, 306	5,425	VS50D	61		
40V2060	260	9,669	VS1AC	137		
40V4060	260	7,818	VS1AC	51		
40V4160	259	9,388	VS1AC	64		
40V4260	260	9,490	VS1AC	66		
410B	402	801	G1	61		
412B	402	782	G1	62		
413327-W	277	3,257	E8	8		
413336-1R	277	1,080	E8	7		
413336-2R	277	1,080	E8	9		
417077-102	198, 278	1,070	A8	6		
417077-124	198, 278	1,588	A8	18		
417077-126	199, 278	8,345	A8	225		
417077-127	199, 278	2,616	A8	75		
417077-129	199	466	E8	68		
417077-130	199	547	E8	64		
417077-131	199	466	E8	90		
417077-132	199	547	E8	90		
417077-133	196, 397	1,337	E8	5		
417077-134	397	2,116	E8	10		
417077-135	397	2,116	E8	9		
417077-136	196, 397	1,337	E8	4		
417077-141	199, 397	1,058	E8	6		
417077-143	199, 397	832	E8	5		
417077-144	199, 397	832	E8	35		
417077-145	199, 397	1,625	E8	44		
417077-153	196, 197, 397	1,481	E8	9		
417077-156	196, 197, 397	1,910	E8	9		
417077-165	196, 397	1,337	E8	15		
417077-167	196	1,481	E8	20		
417077-168	196	1,910	E8	10		
417077-170	196, 397	1,337	E8	10		
417077-171	196, 397	1,337	E8	5		
417077-172	196, 397	1,337	E8	5		
417077-173	196, 397	1,337	E8	10		
417077-174	397	2,308	E8	10		

<sup>(1)</sup> Shipping weight is approximate.

<sup>(2)</sup> Baldor has suggested alternate products, however there may be slight differences in performance, efficiency, voltage range, dimensions and mounting. Customers should verify suitability of selected products for their specific application.

Gearmotors and Gear Products

Motor Accessories

Grinders

Generators

Servo Motors and Controls

Mod Express

Baldor Education Workshops

Warranties and Sales Policies

Cross Reference and Index

Baldor District Offices

Gearmotors and Gear Products

Motor Accessories

Grinders

Generators

Servo Motors and Controls

Mod Express

Baldor Education Workshops

Warranties and Sales Policies

Cross Reference and Index

Baldor Sales Offices

Catalog Number	Page Number	List Price	Mult Sym	Ship Wgt <sup>(1)</sup>	Type	Alternate Cat Number <sup>(2)</sup>
417077-175	397	2,308	E8	10		
417077-176	196, 397	1,337	E8	15		
417077-177	196, 397	1,337	E8	35		
417077-178	196, 397	1,337	E8	15		
417077-179	196, 397	1,337	E8	35		
417077-180	196, 397	1,337	E8	8		
417077-182	196	1,337	E8	10		
417077-183	196	1,337	E8	15		
417077-184	199	466	E8	10		
417077-185	199	466	E8	10		
417077-186	199	547	E8	10		
417077-187	199	547	E8	10		
417077-188	196	1,337	E8	10		
417077-189	196	1,337	E8	10		
417077-190	196	1,481	E8	10		
417077-191	196	1,481	E8	10		
417077-192	196	1,910	E8	10		
417077-193	196	1,910	E8	10		
417077-201	199	585	E8			
417077-202	199	585	E8			
417077-203	196	1,481	E8	6		
417077-204	196	1,337	E8	6		
417077-205	196	1,337	E8	9		
417077-206	196	1,910	E8	6		
417077-208TL	196	1,337	E8	6		
417077-209TL	196	1,337	E8	6		
417077-210TL	196	1,337	E8	6		
417077-211TL	196	1,337	E8	6		
417077-212TL	196	1,337	E8	6		
417077-213TL	196	1,337	E8	6		
417077-214TL	196	1,337	E8	6		
417077-215TL	196	1,337	E8	6		
417077-216TL	196	1,337	E8	6		
417077-218TL	196	1,337	E8	6		
417077-51	278	1,273	A8	44		
417077-57	198, 278	554	A8	2		
417077-58	278	704	A8	4		
417077-59	198, 278	554	A8	4		
417077-65	198, 278	727	A8	7		
417077-74	278	2,748	A8	55		
417077-75	199, 278, 397	2,726	A8	85		
417708-120	197, 397	1,910	E8	23		
417708-121	397	2,500	E8	10		
417708-126	277	4,275	E8	4		
417708-130	196, 397	1,337	E8	5		
417708-131	196, 397	1,337	E8	10		
417708-132	397	1,337	E8	1		
417708-133	277	3,258	E8	5		
417708-134	277	3,258	E8	5		
417708-135	277	3,258	E8	5		
417708-136	277	4,275	E8	6		
417708-137	277	4,275	E8	6		

Catalog Number	Page Number	List Price	Mult Sym	Ship Wgt <sup>(1)</sup>	Type	Alternate Cat Number <sup>(2)</sup>
417708-138	277	4,275	E8	4		
417708-140	196, 397	1,337	E8	10		
417708-141	397	1,337	E8	5		
417708-142	196, 397	1,337	E8	15		
417708-151	277	3,258	E8	5		
417708-152	277	3,257	E8	13		
417708-153	277	2,444	E8	5		
417708-154	277	3,002	E8	5		
417708-155	277	1,080	E8	9		
417708-156	277	1,080	E8	8		
417708-157	197, 277, 397	256	E8	1		
417708-20	277	3,257	E8	11		
417708-201	197, 397	152	E8	1		
417708-202	197, 397	152	E8	1		
417708-203	197, 397	152	E8	1		
417708-204	197, 397	152	E8	1		
417708-205	197	152	E8	1		
417708-206	197, 397	152	E8	1		
417708-207	197, 397	152	E8	1		
417708-208	197, 397	152	E8	1		
417708-209	197, 397	152	E8	1		
417708-21	277	1,080	E8	7		
417708-210	197, 397	152	E8	1		
417708-212	197, 397	152	E8	1		
417708-22	277	1,080	E8	9		
417708-226	196, 197, 397	2,030	E8	5		
417708-227	397	4,422	E8	10		
417708-228	397	4,422	E8	5		
417708-230	197, 397	1,514	E8	1		
417708-231	197, 397	1,666	E8	2		
417708-232	197, 397	1,514	E8	2		
417708-25	277	3,257	E8	11		
417708-26	277	1,080	E8	7		
417708-27	277	1,080	E8	9		
417708-30	277	2,444	E8	5		
417708-32	277	2,444	E8	5		
417708-33	277	2,444	E8	5		
417708-34	277	3,002	E8	5		
417708-36	277	3,002	E8	5		
417708-361	196, 397	1,504	E8	5		
417708-362	196	1,504	E8	8		
417708-37	277	3,002	E8	5		
417708-371	196, 397	1,504	E8	5		
417708-40	277	205	E8	1		
417708-41	277	205	E8	2		
417708-42	197, 277, 397	205	E8	1		
417708-85	197, 397	1,481	E8	5		
417708-87	197, 397	1,910	E8	6		
417708-90	196	1,481	E8	13		
417708-91	196	1,481	E8	15		
417708-96	397	1,910	E8	22		
417708-97	397	1,910	E8	34		

(1) Shipping weight is approximate.

(2) Baldor has suggested alternate products, however there may be slight differences in performance, efficiency, voltage range, dimensions and mounting. Customers should verify suitability of selected products for their specific application.

Catalog Number	Page Number	List Price	Mult Sym	Ship Wgt <sup>(1)</sup>	Type	Alternate Cat Number <sup>(2)</sup>
417708-98	397	1,910	E8	34		
417708-99	397	1,910	E8	36		
417709-17	277	2,159	E8	6		
417709-21	277	2,159	E8	19		
417709-58	277	2,159	E8	20		
417709-59	277	2,159	E8	23		
417709-60	277	2,159	E8	23		
417709-61	277	2,159	E8	29		
417709-65	277	2,159	E8	6		
417709-66	277	2,159	E8	9		
417709-67	277	2,159	E8	15		
417709-68	277	2,159	E8	18		
419914-10A	198	434	E8	39		
419914-10B	198	434	E8	27		
419914-10D	198	507	E8	48		
419914-10G	198	507	E8	55		
419914-10J	198	651	E8	37		
419914-10K	198	932	E8	80		
419914-10L	198	507	E8	52		
419914-10M	198	507	E8	28		
419914-10N	198	651	E8	58		
419914-10P	198	651	E8	56		
419914-10R	198	932	E8	80		
419914-10S	198	932	E8	90		
419914-11C	198	1,205	E8	105		
419914-11D	198	1,205	E8	74		
419914-11E	198	2,296	E8	105		
419914-11F	198	2,296	E8	132		
419914-11G	198	2,296	E8	141		
419914-11H	198	4,333	E8	140		
419914-11J	198	4,333	E8	150		
419914-11K	198	4,333	E8	160		
419914-11L	198	4,333	E8	165		
419914-11M	198	1,205	E8	105		
419914-11N	198	1,205	E8	124		
419914-11P	198	1,028	E8	90		
419914-11R	198	1,028	E8	90		
419914-1A	278	551	A8	50		
419914-1B	278	643	A8	33		
419914-1C	278	825	A8	37		
419914-1D	278	825	A8	69		
419914-1E	278	1,630	A8	76		
419914-1P	278	551	A8	36		
419914-1R	278	643	A8	59		
419914-1S	278	643	A8	36		
419914-1T	278	825	A8	26		
419914-1U	278	825	A8	42		
419914-1W	278	825	A8	76		
419914-1X	278	1,630	A8	81		
419914-9A	198	434	E8	13		
419914-9B	198	434	E8	14		
419914-9C	198	434	E8	15		

Catalog Number	Page Number	List Price	Mult Sym	Ship Wgt <sup>(1)</sup>	Type	Alternate Cat Number <sup>(2)</sup>
419914-9D	198	434	E8	17		
419947-29	278	1,691	A8	52		
419947-30	278	1,934	A8	39		
419947-31	199, 397	1,620	A8	50		
419947-32	278	2,179	A8	55		
419947-33	199, 397	1,802	A8	60		
419947-34	278	2,422	A8	81		
419947-35	397	2,059	E8	1		
42-1300	386	625	A8	36		
42-1400	386	608	A8	30		
42384-26BE	278	551	A8	17		
42384-26BF	278	551	A8	17		
42384-26BH	278	551	A8	29		
42384-26D	278	459	A8	14		
430ER4060	261	4,242	VS1AC	41		
430ET4060	261	5,093	VS1AC	45		
44-1402	386	704	A8	40		
44-1403	386	704	A8	40		
44-1403A	386	704	A8	40		
500	401	1,228	G1	109		522
500FN4041	309	19,280	VS50D	500		
500FR4041	309	30,600	VS50D	570		
50FN4042	303, 306	5,025	VS50D	58		
50FN8742	311	3,685	VS50D	22		
50FR4042	303, 306	5,635	VS50D	60		
50FR8742	311	4,080	VS50D	41		
50R4160	259	15,513	VS1AC	168		
50V2060	260	10,834	VS1AC	100		
50V4060	260	8,813	VS1AC	66		
50V4160	259	9,989	VS1AC	67		
50V4260	260	10,096	VS1AC	68		
510	401	1,228	G1	109		532
522	401	1,381	G1	108		
532	401	1,381	G1	109		
55ER4060	261	1,867	VS1AC	13		
55ET4060	261	2,124	VS1AC	15		
55FN3042	310	4,895	VS50D	58		
55FR3042	310	5,405	VS50D	58		
5FN4042	303, 306	3,870	VS50D	44		
5FR4042	303	4,380	VS50D	46		
5V2160	259	1,735	VS1AC	17		
5V2460	260	1,786	VS1AC	18		
5V4160	259	2,176	VS1AC	18		
5V4460	260	2,193	VS1AC	20		
600E	398	247	G1	30		602E
600FN4041	309	19,890	VS50D	583		
600FR4041	309	31,110	VS50D	630		
600RE	403	247	G1	29		602RE
602E	398	247	G1	27		600E
602E-MT	402	656	G1	24		
602RE	403	247	G1	27		600RE
60FN4042	303, 306	5,090	VS50D	58		

(1) Shipping weight is approximate.

(2) Baldor has suggested alternate products, however there may be slight differences in performance, efficiency, voltage range, dimensions and mounting. Customers should verify suitability of selected products for their specific application.

Gearmotors and Gear Products

Motor Accessories

Grinders

Generators

Servo Motors and Controls

Mod Express

Baldor Education Workshops

Warranties and Sales Policies

Cross Reference and Index

Baldor District Offices

Gearmotors and Gear Products

Catalog Number	Page Number	List Price	Mult Sym	Ship Wgt <sup>(1)</sup>	Type	Alternate Cat Number <sup>(2)</sup>
60FR4042	303, 306	5,700	VS50D	61		
60G4160	259	12,250	VS1AC	67		
60G4260	260	12,372	VS1AC	68		
60V2060	260	12,904	VS1AC	125		
60V4060	260	10,192	VS1AC	66		
612	398	280	G1	30		612R
612E	398	347	G1	44		623E
612R	403	280	G1	30		612
623E	398	392	G1	47		612E
623ED	398	530	G1	61		7307D
632E	398	392	G1	47		
650FN8742	311	9,280	VS50D	187		
650FR8742	311	11,525	VS50D	183		
662	398	280	G1	29		662R
662E	398	347	G1	43		673E
662R	403	280	G1	29		662
673E	398	392	G1	45		662E
712	398	414	G1	45		712R
712E	398	488	G1	69		7307
712R	403	414	G1	44		712
712RE	403	488	G1	68		712E
7306	398	534	G1	71		7306D
7306D	398	688	G1	84		7306
7307	398	534	G1	70		712E
7307D	398	688	G1	84		7307
7308	398	534	G1	71		7308DP
7309	398	534	G1	70		7309D
7309D	398	688	G1	87		
7312D	398	864	G1	90		
7351	398	534	G1	68		762E
75FN4042	304, 306, 307	6,120	VS50D	122		
75FR4042	304, 307	6,935	VS50D	122		
75R4160	259	15,513	VS1AC	183		
75T4160	259	19,004	VS1AC	214		
75V2060	260	13,979	VS1AC	125		
75V4060	260	13,068	VS1AC	125		
762	398	414	G1	42		
762E	398	488	G1	66		762RE
762R	403	414	G1	43		762
762RE	403	488	G1	67		762E
7FN3042	310	4,380	VS50D	58		
7FN4042	303	3,870	VS50D	44		
7FR3042	310	4,890	VS50D	58		
7FR4042	303, 306	4,380	VS50D	46		
7V2160	259	2,113	VS1AC	25		
7V2260	260	2,231	VS1AC	26		
7V4160	259	2,496	VS1AC	26		
7V4260	260	2,518	VS1AC	27		
8100W	399	860	G1	99		8100WD
8100WD	399	982	G1	110		8100W
8102W	399	833	G1	98		8102WD
8102WD	399	967	G1	111		8102W

Catalog Number	Page Number	List Price	Mult Sym	Ship Wgt <sup>(1)</sup>	Type	Alternate Cat Number <sup>(2)</sup>
8107W	399	860	G1	99	3524L	812RE
8107WD	399	982	G1	111		8107W
8123W	399	833	G1	99		8123WD
8123WD	399	967	G1	112		8123W
8125W	399	833	G1	99		129W
812RE	403	813	G1	99		8107W
8250W	399	860	G1	97		862RE
8252W	399	833	G1	95		8123WD
85ER4060	261	1,935	VS1AC	13		
85ET4060	261	2,170	VS1AC	15		
862RE	403	813	G1	95	3524L	8250W
901FK0101	312	555	VS50D	8		
901FK0201	312	660	VS50D	8		
901FK1102	312	1,350	VS50D	12		
901FK1112	312	1,425	VS50D	15		
901FK1202	312	2,100	VS50D	18		
901FK1212	312	2,175	VS50D	22		
901FK2101	312	2,500	VS50D	16		
901FK2201	312	4,075	VS50D	70		
901FK2401	312	5,070	VS50D	46		
901FK2501	312	7,625	VS50D	46		
902FK0101	312	400	VS50D	3		
902FK0111	312	400	VS50D	2		
902FK0121	312	400	VS50D	3		
902FK0201	312	400	VS50D	3		
902FK0301	312	400	VS50D	3		
902FK0401	312	400	VS50D	3		
902FK0501	312	400	VS50D	3		
902FK0601	312	400	VS50D	3		
902FK0701	312	400	VS50D	3		
902FK0801	312	400	VS50D	3		
902FK0901	312	400	VS50D	3		
904FK0101	319	900	VS50D	16		
904FK0201	319	1,100	VS50D	30		
905FK0101	318	150	VS50D	2		
906FK0101	318	775	VS50D	6		
906FK0201	318	775	VS50D	6		
906FK0301	318	775	VS50D	6		
906FK0401	318	900	VS50D	6		
906FK0501	318	950	VS50D	6		
906FK1101	318	1,600	VS50D	10		
906FK1201	318	2,350	VS50D	20		
906FK3101	318	775	VS50D	60		
907FK0101	321	300	VS50D	1		
907FK0301	321	300	VS50D	1		
911FK0041	315	280	VS50D	2		
911FK0101	315	300	VS50D	2		
911FK0151	315	320	VS50D	2		
912FK0010	314	850	VS50D	30		
912FK0020	314	850	VS50D	30		
912FK0030	314	850	VS50D	30		
912FK0050	314	850	VS50D	29		

<sup>(1)</sup> Shipping weight is approximate.

<sup>(2)</sup> Baldor has suggested alternate products, however there may be slight differences in performance, efficiency, voltage range, dimensions and mounting. Customers should verify suitability of selected products for their specific application.

Catalog Number	Page Number	List Price	Mult Sym	Ship Wgt <sup>(1)</sup>	Type	Alternate Cat Number <sup>(2)</sup>
912FK0070	314	885	VS50D	35		
912FK0100	314	940	VS50D	40		
912FK0150	314	940	VS50D	44		
912FK0200	314	1,220	VS50D	42		
912FK0250	314	1,220	VS50D	42		
912FK0300	314	1,250	VS50D	43		
912FK0400	314	1,500	VS50D	49		
912FK0500	314	1,800	VS50D	50		
912FK0750	314	2,050	VS50D	52		
913FK0030	314	880	VS50D	41		
913FK0050	314	880	VS50D	35		
913FK0070	314	880	VS50D	31		
913FK0100	314	1,135	VS50D	36		
913FK0150	314	1,135	VS50D	36		
913FK0200	314	1,210	VS50D	43		
913FK0300	314	1,240	VS50D	34		
913FK0400	314	1,240	VS50D	43		
913FK0500	314	1,325	VS50D	48		
913FK0750	314	1,850	VS50D	54		
913FK1000	314	2,000	VS50D	53		
913FK1500	314	2,200	VS50D	60		
913FK2000	314	2,640	VS50D	67		
913FK2500	314	4,900	VS50D	187		
913FK3000	314	5,000	VS50D	300		
913FK4000	314	2,800	VS50D	279		
913FK5000	314	3,000	VS50D	287		
913FK6000	314	3,200	VS50D	280		
914FK0101	316	660	VS50D	1		
915FK0101	317	441	VS50D	1		
915FK1100	317	615	VS50D	1		
915FK2101	317	735	VS50D	1		
915FK3101	317	735	VS50D	5		
915FK4101	317	735	VS50D	2		
916FK0100	313	50	VS50D	1		
916FK0200	313	50	VS50D	1		
917FK0101	313	500	VS50D	2		
918FK0601	318	750	VS50D	9		
920FK0042	318	775	VS50D	4		
923FK0101	315	500	VS50D	1		
923FK0201	315	650	VS50D	1		
9C16	265	2,421	E8	15		
9C17	265	2,260	E8	12		
9C200	265	363	E8	1		
9C201	265	363	E8	2		
9C210	265	465	E8	1		
9C211	265	465	E8	2		
9C220	265	465	E8	1		
9C221	265	465	E8	2		
9C230	265	636	E8	2		
9C231	265	636	E8	2		
9C240	265	404	E8	1		
9C241	265	404	E8	2		

Catalog Number	Page Number	List Price	Mult Sym	Ship Wgt <sup>(1)</sup>	Type	Alternate Cat Number <sup>(2)</sup>
9C300	265	454	E8	2		
9C301	265	454	E8	2		
9C310	265	646	E8	2		
9C311	265	646	E8	5		
9C320	265	606	E8	2		
9C321	265	606	E8	2		
9C330	265	676	E8	2		
9C331	265	676	E8	2		
9C340	265	445	E8	2		
9C341	265	445	E8	2		
9C80	265	243	E8	1		
9C81	265	243	E8	1		
9C90	265	302	E8	1		
9C91	265	302	E8	1		
A103	405	35	A8	1		
A65	405	18	A8	1		
A82	405	29	A8	1		
AB248	404	24	A8	1		
ACB003A01	253	356	E8	1		
AEM2237-4	148	2,294	L1	224		
AEM2238-4	148	2,774	L1	243		
AEM2275-4	148	2,603	L1	235		
AEM2276-4	148	3,316	L1	254		
AEM2332-4	148	4,069	L1	391	1040M	
AEM2333-4	148	3,854	L1	358		
AEM2334-4	148	4,648	L1	416		
AEM3683-4	148	989	L1	78		
AEM3684-4	148	1,248	L1	88		AEM3687-4
AEM3686-4	148	1,062	L1	86		AEM3689-4
AEM3687-4	148	1,380	L1	94		
AEM3689-4	148	1,131	L1	90		
AEM3782-4	148	1,540	L1	152		
AEM3783-4	148	1,306	L1	155		
AEM3784-4	148	1,876	L1	171		
AEM3787-4	148	1,709	L1	166		
AEM4100-4	148	5,453	L1	502		
AEM4102-4	148	6,842	L1	516		
AEM4103-4	148	5,925	L1	554		
AEM4104-4	148	6,694	L1	567		
AEM4111-4	148	7,341	L1	734		
AEM4117-4	148	8,515	L1	765		
AEM4307-4	148	7,954	L1	709		
AEM4308-4	148	10,831	L1	983		
AEM4311-4	148	9,579	L1	799		
AEM4312-4	148	12,925	L1	987		
AEM4314-4	148	11,705	L1	1004		
AEM4316-4	148	14,628	L1	1327		
AEM4400-4	148	16,159	L1	1573		
AEM4403-4	148	15,123	L1	1494		
AEM4404-4	148	20,481	L1	1576		
AFL3520A	138	335	K	25		
AFL3521A	138	395	K	38		AFL3525A

<sup>(1)</sup> Shipping weight is approximate.

<sup>(2)</sup> Baldor has suggested alternate products, however there may be slight differences in performance, efficiency, voltage range, dimensions and mounting. Customers should verify suitability of selected products for their specific application.

Gearmotors and Gear Products

Motor Accessories

Grinders

Generators

Servo Motors and Controls

Mod Express

Baldor Education Workshops

Warranties and Sales Policies

Cross Reference and Index

Baldor District Offices



Gearmotors and Gear Products

Catalog Number	Page Number	List Price	Mult Sym	Ship Wgt <sup>(1)</sup>	Type	Alternate Cat Number <sup>(2)</sup>
AFL3522A	138	548	L1	43		AFL3523A
AFL3523A	138	669	L1	50		
AFL3524A	138	698	L1	51		
AFL3525A	138	512	K	42		
AFM3528	138	340	K	21		AFM3529
AFM3529	138	369	K	23		
AFM3530	138	427	L1	31		
AFM3532	138	565	L1	49		
ANFL3501M	137	439	K	24		ANFL3504M
ANFL3504M	137	492	K	28		ANFL3507M
ANFL3507M	137	575	K	35	3428LC	
ANFL3510M	137	709	K	41		
ANFL3514M	137	1,054	K	47		
AOM25904T	132	2,690	L1	213		
AOM3454	132	283	K	19		AOM3458
AOM3455	132	445	K	20		
AOM3458	132	316	K	19		
AOM3535	132	469	K	25		
AOM3538	132	371	K	21		AOM3542
AOM3539	132	552	K	25		
AOM3542	132	400	K	23		
AOM3543	132	575	K	32		
AOM3546T	132	416	L1	32		
AOM3554T	132	433	L1	28		
AOM3556T	132	527	L1	35		
AOM3558T	132	459	L1	32		
AOM3607T	132	602	L1	48		
AOM3611T	132	538	L1	55		
AOM3614T	132	646	L1	56		
AOM3615T	132	622	L1	71		
AOM3617T	132	1,020	L1	56	3623M	
AOM3702T	132	1,548	L1	88	3724M	
AOM3704T	132	810	L1	90		
AOM3705T	132	1,692	L1	112	3728M	
AOM3708T	132	1,159	L1	111		
AOM3710T	132	798	L1	114	3727M	
AOM3714T	132	968	L1	125	3740M	
AP231001	267	244	DS	4		AP232001
AP232001	267	268	DS	5		AP233001
AP233001	267	288	DS	6		AP7401
AP233021	267	288	DS	6		AP7421
AP7401	267	403	DS	10		
AP7402	267	403	DS	10		
AP7421	267	403	DS	10		
AP7422	267	403	DS	11		
ARB-1	404	80	A8	1		
ARB-2	404	112	A8	2		
ASM6207	144	2,625	L1	102		ASM6210
ASM6210	144	2,805	L1	101		ASM6215
ASM6215	144	3,270	L1	117		
ASM7510	144	3,270	L1	134		ASM7515
ASM7515	144	3,527	L1	151		

Motor Accessories

Grinders

Generators

Servo Motors and Controls

Mod Express

Baldor Education Workshops

Warranties and Sales Policies

Cross Reference and Index

Baldor Sales Offices

Catalog Number	Page Number	List Price	Mult Sym	Ship Wgt <sup>(1)</sup>	Type	Alternate Cat Number <sup>(2)</sup>
B102	405	83	A8	8		
B103	405	83	A8	6		
B125	400, 405	188	A8	22		
B126	400, 405	190	A8	22		
B1317V81	383	98	A8	2		
B13H71	383	55	A8	3		
B13J92	383	95	A8	3		
B13V81	383	97	A8	2		
B13V91	383	98	A8	3		
B143T	392	113	A8	6		
B145T	392	113	A8	7		
B147	400, 405	356	A8	42		
B148	400, 405	356	A8	41		
B15H71	383	39	A8	4		
B182T	392	120	A8	10		
B184T	392	120	A8	10		
B18H71	383	66	A8	6		
B18J92	383	98	A8	6		
B18V81	383	100	A8	3		
B18V91	383	101	A8	3		
B19H71	341, 391	67	A8	1		
B2022V81	383	102	A8	3		
B213T	392	139	A8	14		
B215T	392	139	A8	15		
B21GH71	383	69	A8	5		
B21H71	383	72	A8	6		
B21J92	383	109	A8	7		
B21V81	383	109	A8	4		
B21V91	383	112	A8	6		
B24H71	383	86	A8	8		
B24J92	383	123	A8	9		
B24V81	383	123	A8	4		
B24V91	383	132	A8	6		
B2530V81	383	158	A8	4		
B2530V91	383	160	A8	6		
B254T	392	230	A8	21		
B256T	392	230	A8	21		
B26H71	383	97	A8	9		
B26J92	383	165	A8	10		
B26V81	383	165	A8	6		
B26V91	383	168	A8	9		
B284T	392	261	A8	24		
B286T	392	261	A8	26		
B30H71	383	110	A8	4		
B30V81	383	165	A8	8		
B30V91	383	168	A8	16		
B324T	392	404	A8	34		
B326T	392	404	A8	37		
B32H71	383	131	A8	13		
B32V81	383	194	A8	10		
B32V91	383	199	A8	13		
B3500V81	383	184	A8	5		

(1) Shipping weight is approximate.

(2) Baldor has suggested alternate products, however there may be slight differences in performance, efficiency, voltage range, dimensions and mounting. Customers should verify suitability of selected products for their specific application.

Catalog Number	Page Number	List Price	Mult Sym	Ship Wgt <sup>(1)</sup>	Type	Alternate Cat Number <sup>(2)</sup>
B364T	392	503	A8	48		
B365T	392	503	A8	50		
B38H71	383	157	A8	15		
B38V81	383	234	A8	38		
B38V91	383	245	A8	36		
B404T	392	748	A8	62		
B405T	392	748	A8	66		
B444T	392	915	A8	70		
B445T	392	915	A8	71		
B447T	392	1,078	A8	93		
B449T	392	1,078	A8	99		
B48T	392	88	A8	3		
B5000RLS	392	1,624	A8	149		
B56T	392	88	A8	5		
B66	405	33	A8	2		
B67	405	33	A8	2		
B73	405	46	A8	4		
B74	405	46	A8	3		
B80	405	55	A8	5		
B81	405	55	A8	4		
B92	353, 391	40	A8	1		
B93	353, 391	51	A8	1		
BC110	286	490	E9	5		BC115
BC115	286	523	E9	6		BC130
BC130	286	666	E9	10		
BC138	286, 290	194	E9	1		BC140
BC139	286, 290	194	E9	1		BC140
BC140	286, 290	329	E9	3		BC140-FBR
BC140-FBR	286, 290	455	E9	3		
BC141	287, 291	180	E9	1		BC142-6
BC141-SIH	287	425	E9	2		
BC142	287, 291	180	E9	2		BC142-6
BC142-5	287	180	E9	1		
BC142-6	287, 291	198	E9	1		BC155
BC142-6-SIH	287	445	E9	1		
BC142-SIH	287	445	E9	2		
BC143	286, 289	63	E9	2		
BC144	286	110	E9	1		
BC145	286, 288	187	E9	1		
BC146	286	121	E9	1		
BC147	286	26	E9	1		
BC148	286	11	E9	1		
BC149	286	12	E9	1		
BC152	286	172	E9	1		
BC153	288	198	E9	1		
BC154	288, 290	416	E9	5		BC160
BC154-P	288	416	E9	5		
BC154-R	288	550	E9	5		
BC154-SI	288	670	E9	5		
BC155	287, 291	588	E9	5		
BC156	288	128	E9	1		
BC157	288	23	E9	1		

Catalog Number	Page Number	List Price	Mult Sym	Ship Wgt <sup>(1)</sup>	Type	Alternate Cat Number <sup>(2)</sup>
BC158	288	53	E9	1		
BC159	288	28	E9	1		
BC160	288, 290	479	E9	3		
BC19H205-CO	300	5,005	E1	39		BC20H205-CL
BC19H210-CO	300	5,005	E1	36		BC20H210-CL
BC19H215-CO	300	5,378	E1	39		BC20H215-CL
BC19H220-CO	300	5,814	E1	50		BC20H220-CL
BC19H225-CO	300	6,124	E1	66		BC20H225-CL
BC19H240-CO	300	7,853	E1	76		BC20H240-CL
BC19H250-CO	300	8,444	E1	61		BC20H250-CL
BC19H260-CO	300	9,330	E1	85		BC20H260-CL
BC19H275-CO	300	10,117	E1	110		BC20H275-CL
BC19H4100-CO	300	8,818	E1	63		BC20H4100-CL
BC19H410-CO	300	5,097	E1	38		BC20H410-CL
BC19H4125-CO	300	9,701	E1	70		BC20H4125-CL
BC19H4150-CO	300	10,502	E1	75		BC20H4150-CL
BC19H4200-CO	300	12,876	E1	261		BC20H4200-CL
BC19H420-CO	300	5,097	E1	40		BC20H420-CL
BC19H4300-CO	300	17,256	E1	246		BC20H4300-CL
BC19H430-CO	300	5,503	E1	41		BC20H430-CL
BC19H440-CO	300	5,950	E1	97		BC20H440-CL
BC19H450-CO	300	6,262	E1	65		BC20H450-CL
BC19H475-CO	300	8,257	E1	77		BC20H475-CL
BC200	289, 291	628	E9	4		BC201
BC201	289, 291	746	E9	1		BC202
BC203	289, 291	939	E9	10		
BC204	289, 291	336	E9	3		BC200
BC204-BPSI	289	434	E9	3		
BC20H205-CL	302	5,832	E1	42		BC20H210-CL
BC20H210-CL	302	5,832	E1	42		BC20H215-CL
BC20H215-CL	302	5,832	E1	40		BC20H220-CL
BC20H220-CL	302	6,112	E1	103		BC20H225-CL
BC20H225-CL	302	6,883	E1	95		BC20H240-CL
BC20H240-CL	302	8,928	E1	65		BC20H250-CL
BC20H250-CL	302	9,660	E1	80		BC20H260-CL
BC20H260-CL	302	10,215	E1	108		BC20H275-CL
BC20H275-CL	302	12,531	E1	109		
BC20H4100-CL	302	10,953	E1	111		BC20H4125-CL
BC20H410-CL	302	6,137	E1	39		BC20H420-CL
BC20H4125-CL	302	12,214	E1	83		BC20H4150-CL
BC20H4150-CL	302	13,359	E1	141		BC20H4200-CL
BC20H4200-CL	302	16,061	E1	285		BC20H4250-CL
BC20H420-CL	302	6,137	E1	39		BC20H430-CL
BC20H4250-CL	302	20,114	E1	280		BC20H4300-CL
BC20H4300-CL	302	22,034	E1	282		
BC20H430-CL	302	6,335	E1	39		BC20H440-CL
BC20H440-CL	302	6,615	E1	69		BC20H450-CL
BC20H450-CL	302	7,336	E1	57		BC20H475-CL
BC20H475-CL	302	10,150	E1	67		BC20H4100-CL
BC212	289	192	E9	1		
BC215	289	89	E9	3		
BC216	289	68	E9	1		

<sup>(1)</sup> Shipping weight is approximate.

<sup>(2)</sup> Baldor has suggested alternate products, however there may be slight differences in performance, efficiency, voltage range, dimensions and mounting. Customers should verify suitability of selected products for their specific application.

Gearmotors and Gear Products

Motor Accessories

Grinders

Generators

Servo Motors and Controls

Mod Express

Baldor Education Workshops

Warranties and Sales Policies

Cross Reference and Index

Baldor District Offices

Gearmotors and Gear Products

Motor Accessories

Grinders

Generators

Servo Motors and Controls

Mod Express

Baldor Education Workshops

Warranties and Sales Policies

Cross Reference and Index

Baldor Sales Offices

Catalog Number	Page Number	List Price	Mult Sym	Ship Wgt <sup>(1)</sup>	Type	Alternate Cat Number <sup>(2)</sup>
BC218	286, 289	31	E9	1		
BC245	289	189	E9	1		
BC24-LF	286	66	E9	1		
BC253	289	23	E9	1		
BC254	288, 289	599	E9	5		
BC254-FBR	288, 289	622	E9	5		
BC258	289	53	E9	1		
BC259	289	23	E9	5		
BC354	288	645	E9	5		
BC440-6	324	816	E9	2		BC450-6
BC450-6	324	1,111	E9	2		
BCWD140	288, 290	557	E9	6		BC160
BKP2400	391	49	A8	1		
BL3507	156	1,083	K	40		
BL3510	156	1,147	K	48		
BL3516	156	721	K	28		BL3517
BL3517	156	760	K	29		BL3518
BL3518	156	825	K	33		BL3510
BLWL05-L	211	754	E8	7		
BLWL06-L	211	850	E8	8		
BLWL07-L	211	892	E8	13		
BLWL09-L	211	916	E8	5		
BLWL10-L	211	990	E8	35		
BLWL12-L	211	1,051	E8	46		
BLWL14-L	211	1,118	E8	55		
BLWM07-F	211	892	E8	20		
BLWM09-F	211	926	E8	27		
BLWM10-F	211	990	E8	35		
BLWM12-F	211	1,051	E8	46		
BLWM14-F	211	1,130	E8	55		
BLWM16-F	211	1,580	E8	70		
BLWM18-F	211	2,213	E8	87		
BM2333T	156	4,584	L1	291		BM2535T
BM2334T	156	5,685	L1	327	0760M	BM2354T
BM2353T	156	4,136	L1	270		BM2333T
BM2354T	156	4,807	L1	322	0760M	BM2334T
BM2513T	158	4,011	L1	237		BM2333T
BM3108	158	749	K	27		BM3538
BM3112	158	872	K	31		BM3542
BM3116	158	949	K	34		BM3546
BM3116T	158	949	L1	35		BM3546T
BM3154T	158	1,107	L1	41		BM3554T
BM3157T	158	1,251	L1	47		BM3558T
BM3211T	158	1,541	L1	68		BM3611T
BM3218T	158	1,935	L1	82		BM3248T
BM3248T	158	1,636	L1	74		BM3218T
BM3311T	158	2,366	L1	127	3723M	BM3710T
BM3313T	158	2,995	L1	147	3733M	BM3714T
BM3538	156	796	K	31		BM3542
BM3538-S	154	970	K	42		
BM3539	156	1,096	K	29		BM3543
BM3542	156	930	K	32		BM3546

Catalog Number	Page Number	List Price	Mult Sym	Ship Wgt <sup>(1)</sup>	Type	Alternate Cat Number <sup>(2)</sup>
BM3542-S	154	1,008	K	43	3517M	
BM3543	156	1,151	K	39		
BM3546	156	1,080	K	38		BM3554
BM3546-S	154	1,046	K	41	3516M	
BM3546T	156	1,080	L1	39		
BM3546T-S	154	1,046	L1	47	3516M	
BM3554	156	1,212	K	43	3520M	BM3558
BM3554T	156	1,212	L1	44		BM3558T
BM3554T-S	154	1,084	L1	51	3520M	
BM3556T	156	1,538	L1	48		
BM3558	156	1,242	K	50		
BM3558-D	153	1,168	K	34	3524M	
BM3558T	156	1,242	L1	52		
BM3558T-D	153	1,168	L1	25	3524M	
BM3558T-S	154	1,111	L1	53	3524M	
BM3568	156	692	K	27		BM3569
BM3569	156	732	K	28		BM3538
BM3603	156	1,497	L1	42		
BM3606	156	1,601	L1	48		BM3609
BM3609	156	1,667	L1	52		
BM3611T	156	1,683	L1	66		
BM3611T-D	153	1,583	L1	70		
BM3611T-S	154	1,505	L1	72		
BM3614T	156	2,059	L1	75		
BM3615T	156	2,089	L1	88		BM3635T
BM3615T-D	153	1,966	L1	114	3643M	
BM3615T-S	154	1,867	L1	88		
BM3635T	156	1,775	L1	84		BM3615T
BM3703	156	2,518	L1	76		
BM3704T	156	3,051	L1	154	3720M	
BM3707	156	3,080	L1	91		
BM3710T	156	2,686	L1	162	3727M	BM3730T
BM3710T-D	153	2,527	L1	162		
BM3714T	156	3,417	L1	174	3740M	BM3734T
BM3714T-D	153	3,215	L1	174		
BM3730T	156	2,549	L1	157	3731M	BM3710T
BM3734T	156	2,829	L1	166	3740M	BM3714T
BM4103T	156	6,020	L1	380	1034M	
BM4104T	156	8,443	L1	533		
BMC2A06	212	626	E3	6		
BMC2A09	212	718	E3	6		
BMC6A01	212	399	E3	6		
BMC6A02	212	435	E3	6		
BMC6A04	212	479	E3	6		
BMC6A05	212	515	E3	6		
BNM3538-D	153	779	K	41		
BNM3542-D	153	1,060	K	43	3517M	
BNM3546-D	153	1,100	K	50		
BNM3546T-D	153	1,100	L1	53		
BNM3554-D	153	1,141	K	32		
BNM3554T-D	153	1,141	L1	35		
BQ1-015-CC	332, 405	852	E7	4		

(1) Shipping weight is approximate.

(2) Baldor has suggested alternate products, however there may be slight differences in performance, efficiency, voltage range, dimensions and mounting. Customers should verify suitability of selected products for their specific application.

Catalog Number	Page Number	List Price	Mult Sym	Ship Wgt <sup>(1)</sup>	Type	Alternate Cat Number <sup>(2)</sup>
BQ1-015-CP	332, 405	660	E7	4		
BQ2-015-CC	332, 405	852	E7	4		
BQ2-015-CP	332, 405	660	E7	4		
BQ7-016-CC	332	1,399	E7	38		BQ7-030-CC
BQ7-016-CP	332	1,241	E7	17		BQ7-030-CP
BQ7-030-CC	332	1,476	E7	47		BQ7-055-CC
BQ7-030-CP	332	1,318	E7	17		BQ7-055-CP
BQ7-055-CC	332	1,896	E7	53		BQ7-080-CC
BQ7-055-CP	332	1,738	E7	24		BQ7-080-CP
BQ7-080-CC	332	2,764	E7	54		BQ7-135-CC
BQ7-080-CP	332	2,605	E7	27		BQ7-135-CP
BQ7-135-CC	332	4,512	E7	156		BQ7-160-CC
BQ7-135-CP	332	4,168	E7	109		BQ7-160-CP
BQ7-160-CC	332	5,237	E7	81		BQ7-250-CC
BQ7-160-CP	332	4,891	E7	74		BQ7-250-CP
BQ7-250-CC	332	6,279	E7	82		BQ7-420-CC
BQ7-250-CP	332	5,931	E7	84		BQ7-420-CP
BQ7-420-CC	332	10,198	E7	341		BQ7-600-CC
BQ7-420-CP	332	8,318	E7	232		BQ7-600-CP
BQ7-600-CC	332	18,803	E7	382		
BQ7-600-CP	332	16,924	E7	263		
BR0006	287	9	E9	1		
BR0010SP	287	9	E9	1		
BR0015SP	287	9	E9	1		
BR0025	287	9	E9	1		
BR0035	287	9	E9	1		
BR0050	287	9	E9	1		
BR0100	287	9	E9	1		
BR0101	287	9	E9	1		
BR0180	287	9	E9	1		
BR0250	287	9	E9	1		
BR0251	287	9	E9	1		
BR0350	287	9	E9	1		
BR0510	287	9	E9	1		
BR1000	287	9	E9	1		
BRMX01	382	55	A8	6		
BRMX02	382	97	A8	6		
BSM25C-1177MHC	212	311	E4	13		
BSM25C-2177MHC	212	324	E4	9		
BSM33C-2177MHQ	212	524	E4	33		
BSM33C-3177MHQ	212	577	E4	22		
BSM33C-4177MHQ	212	661	E4	25		
BSM33C-5177MHQ	212	722	E4	30		
BSM33C-6177MHQ	212	885	E4	31		
BTG1000	283	466	DS	7		
BTG100XPS	283	850	N5	2		
BTG50XPS	283	850	N5	2		
BTG60XPS-M	283	850	N5	2		
BTGWD100XPS	283	1,011	N5	2		
BTGWD50XPS	283	1,011	N5	2		
BU100H012	385	115	A8	1		
BU100H014	385	115	A8	1		

Catalog Number	Page Number	List Price	Mult Sym	Ship Wgt <sup>(1)</sup>	Type	Alternate Cat Number <sup>(2)</sup>
BU100H015	385	131	A8	1		
BU107H015	385	141	A8	1		
BU107H100	385	141	A8	1		
BU107H102	385	141	A8	1		
BU107H103	385	141	A8	1		
BU107H104	385	141	A8	1		
BU107H105	385	141	A8	1		
BU115H100	385	194	A8	1		
BU115H107	385	194	A8	1		
BU115H108	385	194	A8	1		
BU115H110	385	194	A8	1		
BU115H111	385	194	A8	1		
BU115H112	385	194	A8	1		
C121	401	121	A8	3		
C18G2700	110	4,999	S1	245		
C18G2701	110	5,716	S1	250		
C18G2702	110	5,296	S1	234		
C18G2703	110	6,622	S1	253		
C18G2704	110	6,622	S1	245		
C18G2730	110	4,777	S1	245		
C18G2731	110	4,777	S1	226		
C21G2701	110	8,117	S1	350		
C21G2702	110	8,817	S1	352		
C61	401	121	A8	5		
CB1814T	394	95	A8	2		
CB2118T	394	134	A8	2		
CB2521T	394	154	A8	6		
CB2825T	394	209	A8	7		
CB3228T	394	288	A8	9		
CB3632T	394	355	A8	12		
CB4036T	394	487	A8	20		
CBK003-1	388	558	A8	12		
CBK006-1	388	822	A8	12		
CBK006-2	388	822	A8	12		
CBK010-1	388	959	A8	12		
CBK015-1	388	2,050	A8	12		
CBL015ZD-2	210	183	E8	1		CBL030ZD-2
CBL030ZD-2	210	213	E8	1		CBL046ZD-2
CBL046ZD-2	210	243	E8	2		CBL061ZD-2
CBL061ZD-2	210	269	E8	2		CBL091ZD-2
CBL091ZD-2	210	328	E8	3		CBL152ZD-2
CBL152ZD-2	210	442	E8	6		CBL229ZD-2
CBL229ZD-2	210	585	E8	8		
CBL305ZD-2	210	729	E8	12		CBL379ZD-2
CBL3518-D	152	1,023	K	44		
CBL3519-D	152	1,136	K	50		
CBL3597-D	152	1,080	K	47		
CBL379ZD-2	210	874	E8	14		CBL455ZD-2
CBL455ZD-2	210	948	E8	2		CBL606ZD-2
CBL606ZD-2	210	1,304	E8	16		CBL455ZD-2
CBLDS015KP	327	453	E8	2		
CBLHH015KP	241	44	EC	1		CBLHH030KP

<sup>(1)</sup> Shipping weight is approximate.

<sup>(2)</sup> Baldor has suggested alternate products, however there may be slight differences in performance, efficiency, voltage range, dimensions and mounting. Customers should verify suitability of selected products for their specific application.

Gearmotors and Gear Products

Motor Accessories

Grinders

Generators

Servo Motors and Controls

Mod Express

Baldor Education Workshops

Warranties and Sales Policies

Cross Reference and Index

Baldor District Offices

Gearmotors and Gear Products

Catalog Number	Page Number	List Price	Mult Sym	Ship Wgt <sup>(1)</sup>	Type	Alternate Cat Number <sup>(2)</sup>
CBLHH030KP	241	64	EC	1		CBLHH046KP
CBLHH046KP	241	83	EC	1		CBLHH061KP
CBLHH061KP	241	102	EC	2		CBLHH091KP
CBLHH091KP	241	120	EC	3		CBLHH152KP
CBLHH152KP	241	171	EC	3		CBLHH229KP
CBLHH229KP	241	247	EC	4		CBLHH305KP
CBLHH305KP	241	323	EC	5		CBLHH457KP
CBLHH457KP	241	452	EC	6		CBLHH610KP
CBLHH610KP	241	578	EC	7		

Motor Accessories

Catalog Number	Page Number	List Price	Mult Sym	Ship Wgt <sup>(1)</sup>	Type	Alternate Cat Number <sup>(2)</sup>
CBM3546T	157	1,133	L1	42		
CBM3554T	157	1,270	L1	46		
CBM3558T	157	1,306	L1	50		
CBM3558T-D	153	1,246	L1	28	3524M	
CBM3611T	157	1,763	L1	71		

Grinders

Generators

Catalog Number	Page Number	List Price	Mult Sym	Ship Wgt <sup>(1)</sup>	Type	Alternate Cat Number <sup>(2)</sup>
CBM3611T-D	153	1,643	L1	60		
CBM3615T	157	2,204	L1	90		
CBM3615T-D	153	1,947	L1	110		
CBM3710T	157	2,810	L1	163	3727M	
CBM3710T-D	153	2,642	L1	162	3731M	
CBM3714T	157	3,610	L1	166	3740M	
CBM3714T-D	153	3,330	L1	174	3740M	

Servo Motors and Controls

Mod Express

Catalog Number	Page Number	List Price	Mult Sym	Ship Wgt <sup>(1)</sup>	Type	Alternate Cat Number <sup>(2)</sup>
CBM7006A	159	2,757	K	39		
CBM7010	159	3,040	K	97		
CBM7014T	159	3,504	L1	105		
CBM7023T	159	4,241	L1	137		
CBM7027T	159	5,881	L1	215		
CBM7034T	159	3,873	L1	82		
CBM7044T	159	5,631	L1	215		
CD1803R	273	6,594	N2	218		
CD1805R	273	6,395	N2	175		

Baldor Education Workshops

Warranties and Sales Policies

Catalog Number	Page Number	List Price	Mult Sym	Ship Wgt <sup>(1)</sup>	Type	Alternate Cat Number <sup>(2)</sup>
CD2003P-2	280	4,164	N2	170		
CD2003R-2	273	5,083	N2	180		
CD2005P-2	280	5,048	N2	170		
CD2005R-2	273	6,892	N2	180		
CD2007P-2	280	6,056	N2	233		
CD2007R-2	273	8,554	N2	215		
CD2010P-2	280	7,191	N2	267		
CD2015P-2	280	8,552	N2	409		
CD2015R-BV	275	12,928	N2	385		
CD2105R	273	10,963	N2	400		
CD3425	272	588	K	23		
CD3433	272	642	K	24		
CD3434	272	642	K	24		
CD3450	272	730	K	29		
CD3451	272	730	K	29		
CD3475	272	909	K	34		
CD3476	272	909	K	34		
CD5318	272	1,283	K	53		
CD5319	272	1,283	K	52		
CD5333	272	926	K	32		
CD5350	272	1,024	K	38		
CD5375	272	1,205	K	47		

Cross Reference and Index

Baldor Sales Offices

Catalog Number	Page Number	List Price	Mult Sym	Ship Wgt <sup>(1)</sup>	Type	Alternate Cat Number <sup>(2)</sup>
CD6202	272	2,272	L1	96		
CD6203	272	2,580	L1	135		
CD6215	272	1,921	L1	82		
CD6218	272	1,715	L1	65		
CD6219	272	1,715	L1	64		
CDD1803R	273	4,169	N2	160		
CDMG2310	281	8,515	N2	250		
CDMG2315	281	13,943	N2	459		
CDMG2320	281	15,565	N2	609		
CDMG2325	281	16,935	N2	878		
CDMG2333	281	21,246	N2	883		
CDP3306	267	584	K	24		
CDP3310	267	584	K	24		
CDP3316	267	617	K	27		
CDP3320	267	617	K	27		
CDP3326	267	690	K	31		
CDP3330	267	690	K	32		
CDP3335	267	617	K	26		
CDP3410-V12	271	628	K	30		
CDP3410-V24	271	596	K	29		
CDP3420-V12	271	690	K	30		
CDP3420-V24	271	658	K	30		
CDP3430-V12	271	715	K	33		
CDP3430-V24	271	682	K	34		
CDP3436	267	838	K	38		
CDP3440	267	838	K	38		
CDP3440-V12	271	1,026	K	42		
CDP3440-V24	271	711	K	35		
CDP3443	267	741	K	36		
CDP3445	267	1,019	K	44		
CDP3445-V12	271	1,486	K	45		
CDP3445-V24	271	1,479	K	44		
CDP3450	267	838	K	38		
CDP3455	267	1,019	K	44		
CDP3460	267	838	K	38		
CDP3575	267	1,879	L1	65		
CDP3580	267	1,634	L1	51		
CDP3585	267	2,242	L1	74		
CDP3590	267	1,879	L1	64		
CDP3603	267	2,760	L1	112		
CDP3604	267	2,745	L1	115		
CDP3605	267	4,686	L1	160		
CDPSWD3406	269	906	K	28		
CDPSWD3410	269	906	K	29		
CDPSWD3426	269	1,074	K	38		
CDPSWD3430	269	1,074	K	37		
CDPSWD3545	269	1,588	K	63		
CDPSWD3555	269	1,588	K	63		
CDPT3306	268	1,670	K	27		
CDPT3310	268	1,670	K	27		
CDPT3316	268	1,704	K	30		
CDPT3320	268	1,704	K	32		

(1) Shipping weight is approximate.

(2) Baldor has suggested alternate products, however there may be slight differences in performance, efficiency, voltage range, dimensions and mounting. Customers should verify suitability of selected products for their specific application.

Catalog Number	Page Number	List Price	Mult Sym	Ship Wgt <sup>(1)</sup>	Type	Alternate Cat Number <sup>(2)</sup>
CDPT3326	268	1,811	K	36		
CDPT3330	268	1,811	K	35		
CDPT3436	268	1,916	K	45		
CDPT3440	268	1,916	K	44		
CDPT3445	268	2,137	K	50		
CDPT3455	268	2,137	K	50		
CDPT3575	268	2,967	L1	69		
CDPT3585	268	3,329	L1	79		
CDPT3603	268	3,872	L1	122		
CDPT3605	268	5,793	L1	161		
CDPWD3306	269	757	K	24		
CDPWD3310	269	757	K	23		
CDPWD3316	269	799	K	27		
CDPWD3320	269	799	K	27		
CDPWD3326	269	898	K	32		
CDPWD3330	269	898	K	32		
CDPWD3436	269	1,085	K	38		
CDPWD3440	269	1,085	K	38		
CDPWD3445	269	1,324	K	44		
CDPWD3455	269	1,324	K	44		
CDPWD3575	269	2,533	L1	66		
CDPWD3585	269	3,023	L1	73		
CDPWD3603	269	3,869	L1	114		
CDPWD3605	269	6,556	L1	157		
CDPX3406	268	1,605	K	38		
CDPX3410	268	1,605	K	38		
CDPX3416	268	2,017	K	44		
CDPX3420	268	2,017	K	42		
CDPX3426	268	2,278	K	46		
CDPX3430	268	2,278	K	46		
CDPX3436	268	2,816	K	51		
CDPX3440	268	2,816	K	51		
CDPX3545	268	3,751	K	72		
CDPX3555	268	3,751	K	71		
CDPX3575	268	4,010	L1	81		
CDX1850	272	2,330	L1	103		
CDX1875	272	3,087	L1	102		
CDX2001	272	3,841	L1	105		
CDX7100	272	3,187	L1	103		
CDX7150	272	4,221	L1	118		
CDX7200	272	4,741	L1	137		
CECP2333T	64	2,816	SD	328		
CECP2333T-4	64	2,981	SD	330		
CECP2334T	64	2,985	SD	345		
CECP2334T-4	64	2,985	SD	345		
CECP3581T	64	925	SD	61	0524M	
CECP3584T	64	943	SD	69	0528M	
CECP3587T	64	982	SD	73	0532M	
CECP3660T	64	1,209	SD	125		
CECP3661T	64	1,267	SD	144		
CECP3663T	64	1,468	SD	142		
CECP3665T	64	1,287	SD	152		

Catalog Number	Page Number	List Price	Mult Sym	Ship Wgt <sup>(1)</sup>	Type	Alternate Cat Number <sup>(2)</sup>
CECP3769T	64	1,974	SD	189		
CECP3770T	64	1,684	SD	210		
CECP3771T	64	2,090	SD	198		
CECP3774T	64	1,982	SD	214		
CECP4103T	64	3,945	SD	468		
CECP4103T-4	64	3,945	SD	461		
CECP4104T	64	4,553	SD	455		
CECP4104T-4	64	4,553	SD	455		
CECP4110T	64	5,812	SD	676		
CECP4115T	64	6,688	SD	725		
CECP82333T-4	67	2,918	SD	330		
CECP82333T-5	170, 70	2,918	SD	331		
CECP82334T-4	67	3,087	SD	346		
CECP82334T-5	170, 70	3,087	SD	344		
CECP82394T-4	67	2,989	SD	351		
CECP83580T-4	67	915	SD	63		
CECP83581T-4	67	1,002	SD	63	0524M	
CECP83583T-4	67	980	SD	72		
CECP83584T-4	67	1,020	SD	71	0529M	
CECP83586T-4	67	1,075	SD	75	0535M	
CECP83587T-4	67	1,062	SD	73	0532M	
CECP83587T-5	170, 70	1,062	SD	70	0532M	
CECP83660T-4	67	1,306	SD	204		
CECP83661T-4	67	1,384	SD	140		
CECP83661T-5	170, 70	1,384	SD	144		
CECP83663T-4	67	1,588	SD	134		
CECP83665T-4	67	1,391	SD	150		
CECP83665T-5	170, 70	1,391	SD	128		
CECP83769T-4	67	2,059	SD	189		
CECP83770T-4	67	1,763	SD	206		
CECP83770T-5	170, 70	1,763	SD	178		
CECP83771T-4	67	2,185	SD	198		
CECP83774T-4	67	2,131	SD	214		
CECP83774T-5	170, 70	2,131	SD	212		
CECP84103T-4	67	4,333	SD	464		
CECP84103T-5	170, 70	4,333	SD	415		
CECP84104T-4	67	4,962	SD	461		
CECP84104T-5	170, 70	4,962	SD	458		
CECP84106T-4	67	3,390	SD	350		
CECP84107T-4	67	4,624	SD	464		
CECP84108T-4	67	5,386	SD	459		
CECP84109T-4	67	7,163	SD	672		
CECP84110T-4	67	6,432	SD	669		
CECP84114T-4	67	7,438	SD	695		
CECP84114T-5	170, 70	7,438	SD	671		
CECP84115T-4	67	7,404	SD	722		
CECP84115T-5	170, 70	7,404	SD	725		
CECP84310T-4	68	10,660	SD	854		
CECP84313T-4	68	11,707	SD	991		
CECP84314T-4	68	9,631	SD	906		
CECP84316T-4	68	11,050	SD	979		
CEM2333T	11, 46	2,457	L1	255		CM2333T

<sup>(1)</sup> Shipping weight is approximate.

<sup>(2)</sup> Baldor has suggested alternate products, however there may be slight differences in performance, efficiency, voltage range, dimensions and mounting. Customers should verify suitability of selected products for their specific application.



Gearmotors and Gear Products

Motor Accessories

Grinders

Generators

Servo Motors and Controls

Mod Express

Baldor Education Workshops

Warranties and Sales Policies

Cross Reference and Index

Baldor Sales Offices

Catalog Number	Page Number	List Price	Mult Sym	Ship Wgt <sup>(1)</sup>	Type	Alternate Cat Number <sup>(2)</sup>
CEM2333T-5	166, 17	2,457	L1	238		
CEM2334T	11, 47	2,871	L1	286		CM2334T
CEM2334T-5	166, 17	2,871	L1	286		
CEM2394T	11, 46	2,627	L1	285		
CEM3545	11, 45	561	K	34	3516M	
CEM3546	11, 45	565	K	36		
CEM3550	11, 45	594	K	42		
CEM3554	11, 45	624	K	45		
CEM3555	11, 45	650	K	47		
CEM3558	11, 45	660	K	47		
CEM3581T	11, 45	818	L1	56		
CEM3581T-5	166, 17	818	L1	56		
CEM3583T	11, 45	903	L1	57		
CEM3583T-5	166, 17	903	L1	57		
CEM3584T	11, 45	846	L1	60		
CEM3584T-5	166, 17	846	L1	61		
CEM3586T	11, 45	905	L1	64		
CEM3586T-5	166, 17	905	L1	63		
CEM3587T	11, 45	885	L1	64		
CEM3587T-5	166, 17	885	L1	65		
CEM3610T	11, 46	803	L1	67	3624M	
CEM3611T	11, 46	767	LS	71		
CEM3613T	11, 46	884	L1	81		
CEM3615T	11, 46	834	LS	92		
CEM3660T	11, 46	1,006	L1	100		CM3660T
CEM3660T-5	166, 17	1,006	L1	95		
CEM3661T	11, 46	1,032	L1	98		CECP3661T
CEM3661T-5	166, 17	1,032	L1	97		
CEM3663T	11, 46	1,220	L1	107		CM3663T
CEM3663T-5	166, 17	1,220	L1	104		
CEM3665T	11, 46	1,033	L1	113		CECP3665T
CEM3665T-5	166, 17	1,033	L1	115		
CEM3769T	11, 46	1,481	L1	180		CM3769T
CEM3769T-5	166, 17	1,481	L1	191	0733M	
CEM3770T	11, 46	1,433	L1	175		CECP3770T
CEM3770T-5	166, 17	1,433	L1	178		
CEM3771T	11, 46	1,708	L1	197		CM3771T
CEM3771T-5	166, 17	1,708	L1	181		
CEM3774T	11, 46	1,588	L1	231		CECP3774T
CEM3774T-5	166, 17	1,588	L1	201		
CEM4103T	11, 47	3,797	L1	393		CECP4103T
CEM4103T-5	166, 17	3,797	L1	390		
CEM4104T	11, 47	4,375	L1	437		CECP4104T
CEM4106T	11, 47	2,834	L1	258		CM4106T
CEM4107T	11, 47	3,740	L1	383		CM4107T
CEM4110T	11, 47	5,575	L1	614		CECP4110T
CEM4115T	11, 47	6,021	L1	645	1266M	CECP4115T
CEM4314T	11, 47	8,395	L1	816	1462M	CM4314T
CEM4316T	11, 47	9,674	L1	911	1482M	CM4316T
CEM4400T	11, 47	12,776	L1	1191		CM4400T
CENCP3580T-4	64	875	SD	58		
CENCP3581T-4	64	951	SD	60		

Catalog Number	Page Number	List Price	Mult Sym	Ship Wgt <sup>(1)</sup>	Type	Alternate Cat Number <sup>(2)</sup>
CENCP83580T-4	67	875	SD	56	0520M	
CENCP83581T-4	67	951	SD	37	0524M	
CESSWDM23933T	83	5,506	WD	246	3952M	
CESSWDM23934T	83	6,386	WD	300	3960M	
CESSWDM23994T	83	5,595	WD	240	3940M	
CESSWDM3611T	83	1,799	WD	91		CSSEWDM3611T
CESSWDM3613T	83	2,093	WD	103	3636M	CSSEWDM3613T
CESSWDM3615T	83	2,025	WD	115	3646M	CSSEWDM3615T
CESSWDM3709T	83	2,456	WD	164		CSSEWDM3709T
CESSWDM3710T	83	2,533	WD	157		CSSEWDM3710T
CESSWDM3711T	83	2,741	WD	185		CSSEWDM3711T
CESSWDM3714T	83	2,794	WD	158		CSSEWDM3714T
CESSWDM41906T	83	6,422	WD	292	3948M	
CESWDM3546	81	968	WD	37	3524M	CSSEWDM3546
CESWDM3554T	81	1,014	WD	47		CSSEWDM3554T
CESWDM3558T	81	1,245	WD	55		CSSEWDM3558T
CESWDM3611T	81	1,523	WD	75		CESSWDM3611T
CESWDM3615T	81	1,773	WD	92	3646M	CESSWDM3615T
CESWDM3710T	81	2,180	WD	146		CESSWDM3710T
CESWDM3714T	81	2,481	WD	168		CESSWDM3714T
CEUHM3546T	151	573	L1	39	3524M	
CEUHM3554T	151	605	L1	27		
CEUHM3558T	151	666	L1	30		
CEUHM3611T	151	779	L1	47		
CEWDBM3538	159, 80	1,671	WD	42		
CEWDBM3542	159, 80	1,806	WD	43	3517M	
CEWDBM3546	159, 80	1,854	WD	52		
CEWDBM3546T	159, 80	1,873	WD	51		
CEWDBM3554T	159, 80	2,018	WD	58	3532M	
CEWDBM3558T	159, 80	2,053	WD	57		
CEWDBM3611T	159, 80	2,484	WD	89		
CEWDBM3615T	159, 80	3,001	WD	111	3643M	
CEWDM23933T	27, 78	4,356	WD	226		CEWDM23934T
CEWDM23933T-5	171, 79	4,356	WD	247	3942M	
CEWDM23934T	27, 78	5,052	WD	280	3952M	
CEWDM23934T-5	171, 79	5,052	WD	280	3952M	
CEWDM23994T	27, 78	4,425	WD	158		
CEWDM3545	27, 77	875	WD	34		CEWDM3550
CEWDM3546	27, 77	878	WD	44		CEWDM3546
CEWDM3546-5	171, 79	878	WD	51		
CEWDM3546T	27, 77	897	WD	40	3526M	CEWDM3554T
CEWDM3550	27, 78	898	WD	44		CEWDM3555
CEWDM3554T	27, 78	939	WD	48		CESSWDM3554T
CEWDM3554T-5	171, 79	939	WD	48		
CEWDM3555	27, 78	972	WD	47		
CEWDM3555T	27, 78	991	WD	51	3532M	CSSEWDM3555T
CEWDM3556	27, 77	986	WD	41	3528M	
CEWDM3558T	27, 78	1,034	WD	47	3532M	CESSWDM3558T
CEWDM3558T-5	171, 79	1,034	WD	50		
CEWDM3559T	27, 78	1,221	WD	59		CSSEWDM3559T
CEWDM3611T	27, 78	1,359	WD	75		CESSWDM3611T
CEWDM3611T-5	171, 79	1,359	WD	75		

(1) Shipping weight is approximate.

(2) Baldor has suggested alternate products, however there may be slight differences in performance, efficiency, voltage range, dimensions and mounting. Customers should verify suitability of selected products for their specific application.

Catalog Number	Page Number	List Price	Mult Sym	Ship Wgt <sup>(1)</sup>	Type	Alternate Cat Number <sup>(2)</sup>
CEWDM3613T	27, 78	1,617	WD	81		CESSWDM3613T
CEWDM3615T	27, 78	1,539	WD	96		CESWDM3615T
CEWDM3615T-5	171, 79	1,539	WD	99		
CEWDM3709T	27, 78	2,278	WD	139		CESSWDM3709T
CEWDM3710T	27, 78	1,948	WD	129		CESWDM3710T
CEWDM3710T-5	171, 79	1,948	WD	195		
CEWDM3711T	27, 78	2,507	WD	151		CESSWDM3711T
CEWDM3713T	27, 78	3,150	WD	174	3752M	
CEWDM3714T	27, 78	2,215	WD	158		CESWDM3714T
CEWDM3714T-5	171, 79	2,215	WD	162		
CEWDM41906T	27, 78	5,080	WD	242		
CFC1614A	118	197	C1	20	1711C	
CFC1624A	118	197	C1	22		
CFC1641A	118	205	C1	20	1714C	
CFC2614A	118	218	C1	25	1721C	
CFC2624A	118	226	C1	26		
CFC2642A	118	224	C1	24		
CFC3614A	118	242	C1	29	1728C	DDC3641A
CFC3624A	118	254	C1	29		
CFC3642A	118	245	C1	29		
CFDL3501M	133	475	K	24		
CFDL3504M	133	545	K	29		
CFDL3507M	133	635	K	37		
CFDL3510M	133	719	K	38		
CFDL3514M	133	810	K	48		
CFDL3516TM	133	1,029	K	53		
CFM3036A	131	476	K	25		
CFM3046A	131	516	K	34		
CFM3136A	131	492	K	26		
CFM3146A	131	533	K	33		
CFM3156A	131	607	K	34		
CFM3166A	131	661	K	47		
CHC144A	116	231	C1	24		CHC3413A
CHC164A	116	262	C1	24	1712C	CHC3414A
CHC244A	116	243	C1	25		CHC3416A
CHC264A	116	273	C1	26		CHC3417A
CHC3413A	131	335	K	22		CHC144A
CHC3414A	131	396	K	25		CHC3524A
CHC3416A	131	364	K	25		CHC244A
CHC3417A	131	456	K	27		CHC3525A
CHC344A	116	283	C1	28		RL1307A
CHC345A	116	286	C1	25		CHC3524A
CHC3524A	131	409	K	28		CHC345A
CHC3525A	131	524	K	40		CHC3528A
CHC3526A	131	648	K	47		
CHC3528A	131	620	K	47		CHC465A
CHC364A	116	317	C1	26		
CHC365A	116	321	C1	26	1728C	CHC3525A
CHC445A	116	307	C1	28		RL1307A
CHC465A	116	370	C1	48		CHC3528A
CHC545A	116	362	C1	39		RL1310A
CHC565A	116	428	C1	48		

Catalog Number	Page Number	List Price	Mult Sym	Ship Wgt <sup>(1)</sup>	Type	Alternate Cat Number <sup>(2)</sup>
CHC645A	116	413	C1	49		RL1319A
CHL3523A	131	409	K	28		
CHM144A	116	224	C1	25	1710M	RM3003
CHM164A	116	272	C1	25	1711M	
CHM244A	116	236	C1	20	1712M	RM3007
CHM264A	116	265	C1	19	1712M	
CHM344A	116	278	C1	24		RM3010
CHM345A	116	280	C1	23		RM3108
CHM364A	116	309	C1	23	1718M	
CHM365A	116	311	C1	25		
CHM445A	116	296	C1	27	1722M	RM3112
CHM465A	116	357	C1	33		
CHM545A	116	351	C1	33		RM1316
CHM565A	116	415	C1	39		
CHM645A	116	401	C1	34		RM3154
CJL1205A	97	258	K	24		CJL225A
CJL1301A	97	388	K	23		CJL3501A
CJL1303A	97	269	K	27		JL1303A
CJL1304A	97	439	K	26		CJL3504A
CJL1306A	97	342	K	29		JL1306A
CJL1307A	97	504	K	31		CJL3507A
CJL1309A	97	351	K	33		JL1309A
CJL1313A	97	488	K	37		JL1313A
CJL1317A	97	653	K	44		JL1317A
CJL2450A	113	244	C1	18	1714L	
CJL245A	112	255	C1	26		
CJL325A	112	239	C1	22		
CJL345A	112	289	C1	22		
CJL3501A	97	356	K	23		CJL3504A
CJL3504A	97	419	K	28		CJL3507A
CJL3507A	97	511	K	35		
CJL425A	112	281	C1	23	1720L	
CJL525A	112	307	C1	24	1728L	
CJM225	99	218	K	21	1708M	
CJM245	99	252	K	21		
CJM3006	99	277	K	20		CJM3107
CJM3104	99	321	K	22		CJM3108
CJM3107	99	295	K	23		CJM3111
CJM3108	99	360	K	24		CJM3538
CJM3111	99	337	K	24		CJM3115
CJM3112	99	385	K	27		CJM3542
CJM3115	99	377	K	28		CJM3120
CJM3120	99	459	K	31		CJM625
CJM3155	99	546	K	36		CJM725
CJM3158	99	646	K	42		CJM825
CJM325	99	228	K	20	1710M	
CJM345	99	297	K	21		
CJM3538	98	399	K	23		CJM3542
CJM3542	98	423	K	26		
CJM425	99	261	K	22	1716M	
CJM445	99	312	K	24		
CJM4450	98	304	K	25	1720M	

<sup>(1)</sup> Shipping weight is approximate.

<sup>(2)</sup> Baldor has suggested alternate products, however there may be slight differences in performance, efficiency, voltage range, dimensions and mounting. Customers should verify suitability of selected products for their specific application.

Geomotors and Gear Products

Motor Accessories

Grinders

Generators

Servo Motors and Controls

Mod Express

Baldor Education Workshops

Warranties and Sales Policies

Cross Reference and Index

Baldor District Offices

Gearmotors and Gear Products

Motor Accessories

Grinders

Generators

Servo Motors and Controls

Mod Express

Baldor Education Workshops

Warranties and Sales Policies

Cross Reference and Index

Baldor Sales Offices

Catalog Number	Page Number	List Price	Mult Sym	Ship Wgt <sup>(1)</sup>	Type	Alternate Cat Number <sup>(2)</sup>
CJM525	99	291	K	28	1718M	
CL1301	37	310	K	23		CL3501
CL1303	37	275	K	22		CL3503
CL1304	37	353	K	25		CL3504
CL1307	37	405	K	34		CL1310
CL1310	37	465	K	31		CL3510
CL1408TM	143, 37	852	L1	78		CL1410TM
CL1410TM	143, 37	1,026	L1	88		CL3612TM
CL1430TM	37	1,026	L1	84		
CL3403	34	305	K	21		
CL3405	34	304	K	21		
CL3501	34	319	K	23		CL3504
CL3503	34	320	K	24		CL3506
CL3504	34	372	K	28		CL3507
CL3506	34	356	K	29		CL3509
CL3507	34	445	K	35		CL3510
CL3509	34	411	K	37		CL3513
CL3510	34	502	K	40		CL3514
CL3513	34	533	K	44		
CL3514	34	596	K	49		CWDL3514
CL3515	34	686	K	52		
CL3515T	34	692	L1	53		
CL3516TM	143, 34	885	L1	49		VFDL3516TM
CL3608TM	143, 34	1,247	L1	91		
CL3612TM	143, 34	1,207	L1	101		VFDL3612TM
CL3619TM	143, 34	1,152	L1	81		CL3612TM
CL3711T	34	2,029	L1	167		
CL3712T	34	2,052	L1	163		
CL5001A	90	696	K	30		CL5004A
CL5001A-50	188	767	K	35		CL5004A-50
CL5001-I	92	767	K	23		
CL5003A	90	611	K	31		CL5009A
CL5004A	90	697	K	37		CL5007A
CL5004A-50	188	768	K	43		
CL5004-I	92	768	K	29		
CL5007A	90	777	K	48		CL5023A
CL5007A-50	188	893	K	52		
CL5007-I	92	819	K	32	3528L	
CL5009A	90	693	K	49		
CL5013	90	1,764	L1	81		
CL5018	90	2,825	L1	154		
CL5020	90	3,597	L1	170		
CL5023-50	188	944	K	54		
CL5023A	90	883	K	48		
CL5023-I	92	883	K	62		
CL5027T	90	1,820	L1	96		
CL5027T-50	188	2,093	L1	113		
CL5028T	90	1,841	L1	96		
CL5030T	90	1,087	L1	54		
CL5031T	90	1,242	L1	61		
CM2333T	46	2,090	LS	253		
CM2333T-5	166	2,090	LS	236		

Catalog Number	Page Number	List Price	Mult Sym	Ship Wgt <sup>(1)</sup>	Type	Alternate Cat Number <sup>(2)</sup>
CM2334T	47	2,437	L1	245	0760M	CWDM23934T
CM2334T-5	166	2,437	L1	257	0760M	
CM2513T	56	1,593	L1	172		CM2333T
CM2514T	56	1,949	L1	158		
CM2515T	56	1,966	L1	234		
CM2516T	56	2,302	L1	186		
CM2531T	56	2,538	L1	226		
CM2535T	56	2,885	L1	249		
CM2539T	56	3,737	L1	378		CM4110T
CM2543T	56	4,270	L1	382		CM4115T
CM2547T	56	5,211	L1	474		CM4314T
CM2551T	56	6,218	L1	608		CM4316T
CM2555T	56	6,921	L1	538		
CM3104	56	274	K	21		CM3534
CM3107	56	285	K	20		CM3537
CM3108	56	310	K	23		CM3538
CM3112	56	349	K	27		CM3542
CM3116T	56	402	L1	31	3516M	
CM3154T	56	456	L1	38	3519M	CM3554T
CM3155	56	507	K	32		
CM3157T	56	466	L1	39		CM3558T
CM3158T	56	534	L1	45		CM3559T
CM3211T	56	550	L1	67		CM3611T
CM3212T	56	580	L1	65		CM3613T
CM3218T	56	575	L1	71		CM3615T
CM3219T	56	818	L1	68		CM3616T
CM3311T	56	846	L1	102		CM3710T
CM3312T	56	1,030	L1	108		
CM3313T	56	1,006	L1	129	3733M	CM3714T
CM3314T	56	1,444	L1	129		
CM3534	45	317	LS	22		CM3538
CM3534-5	166	317	LS	21	3413M	
CM3537	45	329	K	21		CM3541
CM3538	45	350	LS	23		CM3542
CM3538-5	166	350	LS	24	3416M	
CM3538-8	160	397	K	23		
CM3539	45	514	K	24		CM3543
CM3541	45	360	K	22		CM3545
CM3542	45	372	LS	26		
CM3542-5	166	372	LS	27		
CM3543	45	525	K	33		VM3556
CM3545	45	419	K	24		CM3550
CM3546	45	400	K	31		CM3554
CM3546-5	166	400	K	28		
CM3546-8	160	402	K	29		
CM3546T	45	434	LS	35		
CM3546T-5	166	434	LS	34		
CM3550	45	455	K	30		CWDM3550
CM3550/35	45	516	K	38		
CM3550T	45	489	L1	39		
CM3554	45	435	K	35		
CM3554-5	166	435	K	32		

(1) Shipping weight is approximate.

(2) Baldor has suggested alternate products, however there may be slight differences in performance, efficiency, voltage range, dimensions and mounting. Customers should verify suitability of selected products for their specific application.

Catalog Number	Page Number	List Price	Mult Sym	Ship Wgt (1)	Type	Alternate Cat Number (2)
CM3554T	45	444	LS	41		CM3558T
CM3554T-5	166	444	LS	40		
CM3555	45	509	K	33		
CM3555/35	45	571	K	41		
CM3555T	45	559	L1	43		CM3559T
CM3556	45	534	K	35		
CM3556T	45	583	L1	40		
CM3557	45	608	K	38	3528M	
CM3558	45	467	K	39		
CM3558-5	166	467	K	42		
CM3558T	45	465	LS	49		
CM3558T-5	166	465	LS	42		
CM3559	46	588	K	44		
CM3559T	46	636	L1	62	3532M	
CM3559T-5	166	636	L1	52		
CM3607T	45	696	L1	69		
CM3610T	46	704	L1	59	3532M	CM3660T
CM3610T-5	166	704	L1	57	3535M	
CM3611T	46	587	LS	71		CM3661T
CM3611T-5	166	587	LS	69		
CM3613T	46	800	L1	76		CM3663T
CM3613T-5	166	800	L1	74		
CM3614T	45	744	L1	74		
CM3615T	46	666	LS	81		CM3665T
CM3615T-5	166	666	LS	79	3633M	
CM3616T	46	961	L1	88		
CM3660T	46	901	L1	84	0617M	
CM3661T	46	906	L1	98		
CM3663T	46	1,095	L1	94	0624M	CEM3663T
CM3665T	46	918	L1	112		CEM3665T
CM3704T	46	978	L1	111	3728M	
CM3708T	46	1,153	L1	124	3734M	
CM3709T	46	1,210	L1	94		
CM3710T	46	865	LS	131	3731M	CM3770T
CM3710T-5	166	865	LS	126		
CM3711T	46	1,258	L1	127		CM3771T
CM3711T-5	166	1,258	L1	126		
CM3713T	46	1,565	L1	167		CM3773T
CM3713T-5	166	1,565	L1	158		
CM3714T	46	1,027	LS	141	3740M	CM3774T
CM3714T-5	166	1,027	LS	139		
CM3769T	46	1,317	L1	167		CEM3769T
CM3770T	46	1,280	L1	164	0729M	CEM3770T
CM3771T	46	1,548	L1	167		CM3773T
CM3773T	46	1,840	L1	214		
CM3774T	46	1,364	L1	170		CEM3774T
CM4103T	47	3,088	L1	354		CEM4103T
CM4104T	47	3,525	L1	375	0962M	CEM4104T
CM4104T-5	166	3,525	L1	384		
CM4106T	47	2,475	L1	270		CEM4106T
CM4107T	47	3,204	L1	361	0942M	CEM4107T
CM4108T	47	3,304	L1	383		

Catalog Number	Page Number	List Price	Mult Sym	Ship Wgt (1)	Type	Alternate Cat Number (2)
CM4109T	47	4,666	L1	486		
CM4110T	47	4,523	L1	594		CEM4110T
CM4114T	47	4,730	L1	595		
CM4115T	47	4,655	L1	579	1076M	CEM4115T
CM4310T	47	6,893	L1	769		CM4313T
CM4313T	47	8,196	L1	762		
CM4314T	47	6,802	L1	778		CM4314T
CM4316T	47	8,196	L1	820		CEM4316T
CM4400T	47	10,185	L1	1121		CEM4400T
CM7005A	90	729	K	28		
CM7006-50	188	836	K	37		CM7010-50
CM7006A	90	790	K	30		CM7010A
CM7006-I	94	790	SD	32		
CM7009A	90	753	K	30		
CM7010-50	188	855	K	43		CM7014-50
CM7010A	90	805	K	35		
CM7010-I	94	805	SD	21	3514M	
CM7013	90	788	K	31		
CM7013-50	188	865	K	36		
CM7014	90	858	K	41		CM7034
CM7014-50	188	915	K	45		
CM7014-I	94	858	SD	25	3516M	
CM7014T	90	858	L1	44		
CM7018T	90	893	L1	47		
CM7018T-50	188	983	L1	46		
CM7034	90	915	K	44		CM7037
CM7034T	90	915	L1	49		
CM7034T-50	188	1,008	L1	48		
CM7034T-I	94	1,008	SD	30	3520M	
CM7037	91	990	K	52		
CM7037T	91	990	L1	53		
CM7037T-50	188	1,089	L1	54		
CM7037T-I	94	1,089	SD	34	3524M	
CM7042T	91	1,276	L1	92		
CM7042T-I	94	1,276	SD	111		
CM7044T	91	1,535	L1	111		
CM7044T-I	94	1,535	SD	122		
CM7045T	91	1,963	L1	173		
CM7047T	91	1,778	L1	183		
CM7047T-I	94	1,778	SD	170		
CM7053T	91	2,257	L1	345		
CM7054T	91	3,671	L1	386		
CM7054T-I	94	3,671	SD	333		
CM7056T	91	4,264	L1	362		
CM7056T-I	94	4,264	SD	356		
CM7058T	91	5,306	L1	532		
CM7058T-I	94	5,306	SD	554		
CM7059T	91	2,844	L1	372		
CM7060T	91	5,998	L1	533		
CM7060T-I	94	5,998	SD	584		
CM7062T	91	8,108	L1	735		
CM7062T-I	94	8,108	SD	808		

(1) Shipping weight is approximate.

(2) Baldor has suggested alternate products, however there may be slight differences in performance, efficiency, voltage range, dimensions and mounting. Customers should verify suitability of selected products for their specific application.

Gearmotors and Gear Products

Motor Accessories

Grinders

Generators

Servo Motors and Controls

Mod Express

Baldor Education Workshops

Warranties and Sales Policies

Cross Reference and Index

Baldor Sales Offices

Catalog Number	Page Number	List Price	Mult Sym	Ship Wgt <sup>(1)</sup>	Type	Alternate Cat Number <sup>(2)</sup>
CM7063T	91	3,714	L1	524	1036M	
CM7064T	91	9,170	L1	763		
CM7064T-I	94	9,170	SD	779		
CM7071T	91	885	L1	52		
CM7071T-50	188	1,018	L1	52		
CM7072T	91	1,485	L1	101		
CM7073T	91	1,674	L1	111		
CM7075T	91	1,110	L1	69		
CM7170T	91	2,103	L1	232		
CM7170T-I	94	2,103	SD	232		
CM7174T	91	2,103	L1	215		
CM8001	75	535	SD	32		
CM8002	75	669	SD	26		
CM8003	75	727	SD	31		
CM8004	75	797	SD	37		
CM8004T	75	797	SD	38		
CM8005T	75	841	SD	46		
CM8537	75	513	SD	33		
CM8539	75	698	SD	38		
CM8543	75	822	SD	38		
CM8556	75	877	SD	39		
CNL20082	150	213	DS	10		CNL20172
CNL20134	150	232	DS	11		
CNL20172	150	239	DS	13		
CNM20132	150	258	DS	8	2510M	CNM20252
CNM20134	150	280	DS	10		
CNM20252	150	288	DS	12		
CNM3454/35	45	441	K	4	3513M	
CNM3457	45	323	K	31		
CNM3531	45	560	K	31		
CNM3538/35	45	496	K	27		
CNM3539	45	550	K	39		
CNM3542	45	405	K	28	3514M	
CNM3546	45	462	K	39		
CP2276T	59	1,712	SD	301		ECP2276T
CP2276T-4	59	1,712	SD	296		CP2276T
CP2332T	59	2,420	SD	310		ECP2332T
CP2332T-4	59	2,420	SD	310		ECP2332T-4
CP2333T	59	1,993	SD	299		ECP2333T
CP2333T-4	59	1,993	SD	297		ECP2333T-4
CP2334T	60	2,220	SD	316		ECP2334T
CP2334T-4	60	2,220	SD	310		ECP2334T-4
CP2394T-4	59	2,144	SD	291		ECP2394T-4
CP3580T-4	58	676	SD	50	0513M	CP3583T-4
CP3581T	58	682	SD	55	0516M	CP3581T-4
CP3581T-4	58	682	SD	56	0515M	ECP3581T-4
CP3582T	58	811	SD	61	0526M	ECP3582T
CP3582T-4	58	811	SD	61		ECP3582T-4
CP3583T-4	58	767	SD	49		ECP3583T-4
CP3584T	58	696	SD	60	0521M	ECP3584T
CP3584T-4	58	696	SD	62		ECP3584T-4
CP3586T-4	58	816	SD	64		ECP3586T-4

Catalog Number	Page Number	List Price	Mult Sym	Ship Wgt <sup>(1)</sup>	Type	Alternate Cat Number <sup>(2)</sup>
CP3587T	58	715	SD	64	0523M	ECP3587T
CP3587T-4	58	715	SD	64		ECP3587T-4
CP3660T-4	58	981	SD	110		ECP3660T-4
CP3661T	58	1,005	SD	115		ECP3661T
CP3661T-4	58	1,005	SD	114		ECP3661T-4
CP3663T-4	59	1,237	SD	120		ECP3663T-4
CP3664T	58	998	SD	123		ECP3664T
CP3664T-4	58	998	SD	129		ECP3664T-4
CP3665T	59	1,038	SD	125		ECP3665T
CP3665T-4	59	1,038	SD	121		ECP3665T-4
CP3667T	58	933	SD	124		ECP3667T
CP3667T-4	58	933	SD	124		M3667T
CP3764T	59	1,354	SD	152		ECP3764T
CP3764T-4	59	1,354	SD	154		ECP3764T-4
CP3768T	59	1,576	SD	164		ECP3768T
CP3768T-4	59	1,576	SD	162		ECP3768T-4
CP3769T-4	59	1,557	SD	162		ECP3769T-4
CP3770T	59	1,384	SD	166		ECP3770T
CP3770T-4	59	1,384	SD	168		CP3770T
CP3771T-4	59	1,666	SD	168		ECP3771T-4
CP3773T-4	59	2,098	SD	226		
CP3774T	59	1,500	SD	178		ECP3774T
CP3774T-4	59	1,500	SD	178		ECP3774T-4
CP4100T	59	3,403	SD	384		ECP4100T
CP4100T-4	59	3,403	SD	386		ECP4100T-4
CP4102T	60	3,967	SD	425		ECP4102T
CP4102T-4	60	3,967	SD	414		ECP4102T-4
CP4103T	60	2,693	SD	412		ECP4103T
CP4103T-4	60	2,693	SD	414		ECP4103T-4
CP4104T	60	3,231	SD	427		ECP4104T
CP4104T-4	60	3,231	SD	417		ECP4104T-4
CP4106T-4	60	2,174	SD	298		ECP4106T-4
CP4107T-4	60	2,722	SD	457		ECP4107T-4
CP4108T-4	60	2,977	SD	411		ECP4108T-4
CP4109T-4	60	4,309	SD	560		ECP4109T-4
CP4110T	60	4,299	SD	619		ECP4110T
CP4110T-4	60	4,299	SD	615		ECP4110T-4
CP4111T	60	4,839	SD	575		ECP4111T
CP4111T-4	60	4,839	SD	587		ECP4111T-4
CP4115T	60	5,075	SD	634		ECP4115T
CP4115T-4	60	5,075	SD	630		ECP4115T-4
CP4117T	60	5,133	SD	608		ECP4117T
CP4117T-4	60	5,133	SD	608		ECP4117T-4
CP4308T	60	7,106	SD	817		ECP4308T
CP4312T	60	7,568	SD	820		ECP4312T
CP4314T	61	6,869	SD	785		ECP4314T
CP4314T-4	61	6,869	SD	793		ECP4314T-4
CP4316T	61	8,256	SD	826		ECP4316T
CP4316T-4	61	8,256	SD	868		ECP4316T-4
CP4400T-4	61	9,461	SD	1190		ECP4400T-4
CP4403T	61	10,570	SD	1173		ECP4403T
CP4404T	61	12,585	SD	1218		ECP4404T

(1) Shipping weight is approximate.

(2) Baldor has suggested alternate products, however there may be slight differences in performance, efficiency, voltage range, dimensions and mounting. Customers should verify suitability of selected products for their specific application.



Catalog Number	Page Number	List Price	Mult Sym	Ship Wgt (1)	Type	Alternate Cat Number (2)
CP4406T-4	61	15,286	SD	1730		
CP44204TR-4	61	18,817	SD	1961		
CP44254TR-4	61	23,197	SD	2030		
CP44404T-4	61	18,604	SD	1841		
CR4400TR-4	74	9,527	SD	1114		
CR4404TR-4	74	12,585	SD	1160		
CR4406TR-4	74	14,199	SD	1811		
CR4407TR-4	74	17,086	SD	1837		
CR4408TR-4	74	21,977	SD	2526		
CR4409TR-4	74	13,000	SD	1783		
CR4410TR-4	74	12,123	SD	1722		
CR4411TR-4	74	14,687	SD	2019		
CR44156TR-4	74	16,558	SD	2078		
CR44206TR-4	74	21,686	SD	2471		
CR44256TR-4	74	31,110	SD	2719		
CR44304TR-4	74	29,738	SD	2345		
CR44306TR-4	74	40,466	SD	3669		
CR44354TR-4	74	35,299	SD	2410		
CSSEWDM3537	28, 82	1,154	WD	47	3516M	CSSEWDM3541
CSSEWDM3538	28, 82	1,173	WD	47	3515M	CSSEWDM3542
CSSEWDM3541	28, 82	1,195	WD	51	3520M	CSSEWDM3545
CSSEWDM3542	28, 82	1,213	WD	55	3526M	CSSEWDM3546
CSSEWDM3545	28, 82	1,256	WD	54		CSSEWDM3550
CSSEWDM3546	28, 82	1,268	WD	54	3525M	CSSEWDM3554
CSSEWDM3546T	28, 82	1,280	WD	56	3525M	CSSEWDM3554T
CSSEWDM3550	28, 82	1,273	WD	62		
CSSEWDM3550T	28, 82	1,283	WD	64		CSSEWDM3555T
CSSEWDM3554	28, 82	1,279	WD	61	3533M	
CSSEWDM3554T	28, 82	1,291	WD	62	3533M	CSSEWDM3558T
CSSEWDM3555T	28, 82	1,540	WD	71		CSSEWDM3559T
CSSEWDM3558	28, 82	1,553	WD	61	3538M	
CSSEWDM3558T	28, 82	1,563	WD	61	3540M	
CSSEWDM3559T	28, 82	1,875	WD	79		
CSSEWDM3611T	28, 82	1,888	WD	101	3630M	CESSWDM3611T
CSSEWDM3613T	28, 82	2,050	WD	107		CESSWDM3613T
CSSEWDM3615T	28, 82	2,066	WD	123	3646M	CESSWDM3615T
CSSEWDM3709T	28, 82	2,389	WD	178	3735M	CESSWDM3709T
CSSEWDM3710T	28, 82	2,439	WD	182	3739M	CESSWDM3710T
CSSEWDM3711T	28, 82	2,713	WD	154	3744M	CESSWDM3711T
CSSEWDM3714T	28, 82	2,877	WD	187	3756M	CESSWDM3714T
CSSEWDM90114C-57	183, 84	1,485	WD	24		
CSSEWDM90154C-57	183, 84	1,798	WD	25		
CSSWDM3537	83	1,047	WD	34		CSSWDM3541
CSSWDM3538	83	1,125	WD	37	3514M	CSSWDM3542
CSSWDM3541	83	1,083	WD	40	3518M	CSSWDM3545
CSSWDM3542	83	1,164	WD	44	3517M	CSSWDM3546
CSSWDM3545	83	1,188	WD	39		CSSWDM3550
CSSWDM3546	83	1,196	WD	45		CSSWDM3554
CSSWDM3550	83	1,202	WD	50		
CSSWDM3554	83	1,222	WD	53	3528M	
CSSWDM3554T	83	1,222	WD	53	3528M	CSSWDM3558T
CSSWDM3555T	83	1,471	WD	59		CSSEWDM3555T

Catalog Number	Page Number	List Price	Mult Sym	Ship Wgt (1)	Type	Alternate Cat Number (2)
CSSWDM3558	83	1,486	WD	55		
CSSWDM3558T	83	1,486	WD	56	3530M	CSSEWDM3558T
CSSWDM3559T	83	1,769	WD	61		CSSEWDM3559T
CSSWDM3610T	83	1,838	WD	89		
CSSWDM3611T	83	1,698	WD	89		CSSEWDM3611T
CSSWDM3613T	83	1,935	WD	95		CSSEWDM3613T
CSSWDM3615T	83	1,950	WD	109		CSSEWDM3615T
CSSWDM3709T	83	2,254	WD	157		CSSEWDM3709T
CSSWDM3710T	83	2,302	WD	152		CSSEWDM3710T
CSSWDM3711T	83	2,559	WD	174	3740M	CSSEWDM3711T
CSSWDM3714T	83	2,600	WD	187		CSSEWDM3714T
CSWDM3538	81	601	WD	30		CSSWDM3538
CSWDM3542	81	694	WD	31	3514M	CSSWDM3542
CSWDM3546	81	719	WD	39		CSSWDM3546
CSWDM3546T	81	719	WD	41		CSWDM3554T
CSWDM3554	81	752	WD	52	3540M	CSSWDM3554
CSWDM3554T	81	752	WD	49	3526M	CESWDM3554T
CSWDM3558	81	926	WD	42		
CSWDM3558T	81	926	WD	48		CESWDM3558T
CSWDM3611T	81	1,132	WD	72		CESWDM3611T
CSWDM3615T	81	1,318	WD	93		CESWDM3615T
CSWDM3710T	81	1,621	WD	138		CESWDM3710T
CSWDM3714T	81	1,845	WD	160		CESWDM3714T
CTM1757T	122	1,784	L1	143		
CTM1758T	122	1,995	L1	152		
CTM1759T	122	2,503	L1	206		
CTM1760T	122	2,909	L1	204		
CTM1761T	122	3,690	L1	315		
CTM1762T	122	4,458	L1	365		
CTM1763T	122	5,187	L1	435		
CTM1764T	122	5,954	L1	455		
CTM1765T	122	7,817	L1	629		
CTM1766T	122	9,222	L1	678		
CTM1767T	122	13,356	L1	865		
CTM1768T	122	16,735	L1	890		
CTM1769T	122	20,633	L1	1260		
CTM2276T	121	1,705	L1	240	0756M	
CTM2332T	121	1,898	L1	269		
CTM2333T	121	2,081	L1	236		
CTM2334T	121	2,321	L1	276	0760M	
CTM3665T	121	921	L1	104		
CTM3768T	121	1,397	L1	206	0732M	
CTM3770T	121	1,227	L1	164	0729M	
CTM3774T	121	1,567	L1	170		
CTM4100T	121	3,027	L1	375	1034M	
CTM4102T	121	3,657	L1	416	1040M	
CTM4103T	121	2,814	L1	322		
CTM4104T	121	3,377	L1	321		
CTM4110T	121	4,492	L1	536		
CTM4111T	121	4,412	L1	451	1058M	
CTM4115T	121	5,303	L1	540		
CTM4117T	121	5,352	L1	460		

(1) Shipping weight is approximate.

(2) Baldor has suggested alternate products, however there may be slight differences in performance, efficiency, voltage range, dimensions and mounting. Customers should verify suitability of selected products for their specific application.



Gearmotors and Gear Products  
 Motor Accessories  
 Grinders  
 Generators  
 Servo Motors and Controls  
 Mod Express  
 Baldor Education Workshops  
 Warranties and Sales Policies  
 Cross Reference and Index  
 Baldor Sales Offices

Catalog Number	Page Number	List Price	Mult Sym	Ship Wgt <sup>(1)</sup>	Type	Alternate Cat Number <sup>(2)</sup>
CTM4308T	121	5,929	L1	810		
CTM4312T	121	7,524	L1	782		
CTM4314T	121	7,176	L1	810		
CTM4316T	121	8,627	L1	841		
CTM4403T	121	9,499	L1	1038		
CUHL3518	151	412	K	37		
CUHL3519	151	502	K	35		
CUHM3538	151	353	K	29		
CUHM3542	151	373	K	34		
CUHM3546	151	400	K	31	3516M	
CUHM3546T	151	400	L1	32	3516M	
CUHM3554	151	435	K	37	3520M	
CUHM3554T	151	435	L1	37	3520M	
CUHM3558	151	467	K	39	3524M	
CUHM3558T	151	467	L1	39	3524M	
CUHM3611T	151	590	L1	77		
CUHM3615T	151	670	L1	91	3643M	
CWAM22976T	76	2,888	SD	213		
CWAM23932T	76	3,192	SD	250		
CWAM3538	76	601	SD	33		
CWAM3542	76	694	SD	40	3514M	
CWAM3545	76	716	SD	37		
CWAM3546	76	719	SD	42		
CWAM3546T	76	719	SD	42		
CWAM3550	76	802	SD	41		
CWAM3554T	76	752	SD	52	3526M	
CWAM3555	76	882	SD	49		
CWAM3556	76	926	SD	46		
CWAM3557	76	1,050	SD	47		
CWAM3558	76	926	SD	52		
CWAM3558T	76	926	SD	49	3524M	
CWAM3559T	76	1,084	SD	60	3532M	
CWAM3611T	76	1,132	SD	86		
CWAM3613T	76	1,267	SD	85		
CWAM3614T	76	1,182	SD	89		
CWAM3615T	76	1,318	SD	96	3633M	
CWAM3616T	76	1,677	SD	103		
CWAM3704T	76	1,476	SD	130	3728M	
CWAM3708T	76	1,953	SD	138	3734M	
CWAM3710T	76	1,621	SD	132	3731M	
CWAM3711T	76	1,922	SD	144		
CWAM3714T	76	1,845	SD	149	3740M	
CWDL3504	77	521	WD	34		CWDL3507
CWDL3507	77	606	WD	33	3520L	CWDL3510
CWDL3509	77	527	WD	37		CWDL3513
CWDL3510	77	698	WD	37		CWDL3514
CWDL3513	77	703	WD	42		
CWDL3514	77	835	WD	48		
CWDM22976T	78	2,656	WD	213	3940M	
CWDM23932T	78	2,989	WD	245		
CWDM23933T	78	3,234	WD	248		CEWDM23933T
CWDM23934T	78	3,753	WD	282		CEWDM23934T

Catalog Number	Page Number	List Price	Mult Sym	Ship Wgt <sup>(1)</sup>	Type	Alternate Cat Number <sup>(2)</sup>
CWDM23994T	78	3,286	WD	195		CWDM41906T
CWDM3537	77	508	WD	27		CWDM3541
CWDM3538	77	550	WD	31		CWDM3542
CWDM3538-5	171, 79	550	WD	28		CWDM3542-5
CWDM3539	77	695	WD	37		CWDM3543
CWDM3541	77	533	WD	35		CWDM3545
CWDM3542	77	597	WD	34		CWDM3546
CWDM3542-5	171, 79	597	WD	34		CWDM3546-5
CWDM3543	77	839	WD	43		CWDM3556
CWDM3545	77	630	WD	33		CWDM3550
CWDM3546	77	640	WD	37		CWDM3554
CWDM3546-5	171, 79	640	WD	34		
CWDM3546T	77	658	WD	39		CEWDM3546T
CWDM3550	78	658	WD	51		CEWDM3550
CWDM3554	78	673	WD	34		CWDM3558
CWDM3554T	78	692	WD	48		CWDM3558T
CWDM3554T-5	171, 79	692	WD	46		
CWDM3555	78	745	WD	40	3432M	CEWDM3555
CWDM3555T	78	764	WD	44		CWDM3559T
CWDM3556	77	811	WD	35		CEWDM3556
CWDM3557	78	858	WD	39		
CWDM3558	78	743	WD	42		CSWDM3558
CWDM3558T	78	775	WD	44		CEWDM3558T
CWDM3558T-5	171, 79	775	WD	43		
CWDM3559T	78	914	WD	55	3532M	CSSWDM3559T
CWDM3610T	78	1,008	WD	60	3532M	
CWDM3611T	78	1,018	WD	74		CEWDM3611T
CWDM3611T-5	171, 79	1,018	WD	72		
CWDM3613T	78	1,275	WD	77		CSSWDM3613T
CWDM3614T	78	1,026	WD	75		
CWDM3615T	78	1,151	WD	82	3633M	CEWDM3615T
CWDM3615T-5	171, 79	1,151	WD	78		
CWDM3616T	78	1,454	WD	89		
CWDM3704T	78	1,293	WD	112	3728M	
CWDM3708T	78	1,659	WD	122	3734M	
CWDM3709T	78	1,581	WD	101		
CWDM3710T	78	1,459	WD	131	3731M	CEWDM3710T
CWDM3711T	78	1,876	WD	128		CWDM3713T
CWDM3713T	78	2,357	WD	169		
CWDM3714T	78	1,657	WD	140	3740M	CEWDM3714T
CWDM41906T	78	3,773	WD	274		
D1151	271	1,143	K	23		
D1152	271	1,222	K	29		
D1153	271	1,435	K	34		
D1154	271	1,688	K	62		
D1802R	273	5,135	N2	166		
D1803R	273	4,169	N2	130		
D1815R	273	4,275	N2	169		
D2003R	276	4,193	N2	130		
D2005P	279	4,888	N2	178		
D2005R	276	6,139	N2	194		
D2007P	279	5,896	N2	239		

(1) Shipping weight is approximate.

(2) Baldor has suggested alternate products, however there may be slight differences in performance, efficiency, voltage range, dimensions and mounting. Customers should verify suitability of selected products for their specific application.

Catalog Number	Page Number	List Price	Mult Sym	Ship Wgt <sup>(1)</sup>	Type	Alternate Cat Number <sup>(2)</sup>
D2007R	276	7,418	N2	197		
D2010P	279	6,719	N2	259		
D2010R	276	8,459	N2	225		
D2010R-2	273	9,596	N2	360		
D2015P	279	8,083	N2	379		
D2015R	276	10,186	N2	315		
D2015R-BV	275	12,333	N2	385		
D2020P	279	9,268	N2	429		
D2020R	276	11,688	N2	370		
D2020R-BV	275	13,834	N2	400		
D2025P	279	10,938	N2	589		D2030P
D2025R	276	14,441	N2	410		
D2025R-BV	275	15,305	N2	425		
D2030P	279	12,035	N2	589		
D2030R	276	15,900	N2	505		
D2030R-BV	275	16,632	N2	400		
D2040P-BV	280	16,174	N2	889		
D2040R-BV	275	19,785	N2	480		
D2050P-BV	280	18,090	N2	898		
D2060P-BV	280	20,316	N2	996		
D2075P-BV	280	23,394	N2	1015		
D2301	271	1,143	K	30		
D2302	271	1,225	K	28		
D2303	271	1,435	K	33		
D2304	271	1,688	K	61		
D2305	271	2,965	L1	82		
D2505P	281	6,939	N2	379		
D2505R	274	8,737	N2	235		
D2507P	281	8,394	N2	319		
D2507R	274	10,579	N2	380		
D2510P	281	9,582	N2	459		
D2510R	274	12,085	N2	380		
D2515P	281	12,366	N2	629		
D2515R	274	15,609	N2	555		
D2520P	281	14,202	N2	879		D2525P
D2520R	274	17,936	N2	630		
D2525P	281	16,632	N2	872		
D2525R	274	21,012	N2	825		
D5003R	276	4,943	N2	197		
D5005P	279	4,888	N2	162		
D5005R	276	6,139	N2	175		
D5007P	279	5,896	N2	239		
D5007R	276	7,418	N2	210		
D501	401	789	A8	5		
D50100P	279	28,548	N2	1129		D50125P-BV
D50100P-BV	280	28,489	N2	1179		
D50100R-BV	275	35,595	N2	870		
D50100RS-BV	275	44,526	N2	1210		
D5010P	279	6,719	N2	255		
D5010R	276	8,459	N2	235		
D5010RS-BV	275	14,382	N2	415		
D50125P	279	33,807	N2	1459		

Catalog Number	Page Number	List Price	Mult Sym	Ship Wgt <sup>(1)</sup>	Type	Alternate Cat Number <sup>(2)</sup>
D50125P-BV	280	33,440	N2	1189		D50150P-BV
D50125R-BV	275	41,651	N2	940		
D50125RS-BV	275	51,797	N2	1290		
D50125UR-BV	275	42,888	N2	945		
D50150P	279	40,674	N2	1139		
D50150P-BV	280	38,358	N2	1519		
D50150R-BV	275	47,534	N2	1125		
D50150RS-BV	275	58,856	N2	1685		
D50150UR-BV	275	48,779	N2	1255		
D5015P	279	8,083	N2	379		
D5015R	276	10,186	N2	315		
D5015R-BV	275	12,333	N2	345		
D5015RS-BV	275	16,615	N2	345		
D502	401	789	A8	2		
D50200P	279	51,586	N2	2149		
D50200P-BV	280	47,849	N2	1809		
D50200RR-BV	275	61,614	N2	1585		
D50200RS-BV	275	74,515	N2	1850		
D5020P	279	9,268	N2	429		
D5020R	276	11,688	N2	375		
D5020R-BV	275	13,834	N2	395		
D5020RS-BV	275	18,415	N2	440		
D50250P	279	63,431	N2	2569		D50300P
D50250P-BV	280	58,661	N2	2289		
D50250RR-BV	275	73,723	N2	1890		
D50250RS-BV	275	90,167	N2	2500		
D5025P	279	10,938	N2	529		
D5025R	276	14,441	N2	415		
D5025R-BV	275	15,305	N2	370		
D5025RS-BV	275	20,181	N2	470		
D50300P-BV	280	69,640	N2	2659		
D50300R-BV	275	88,856	N2	2010		
D50300RS-BV	275	108,190	N2	2800		
D5030P	279	12,035	N2	579		
D5030R	276	15,900	N2	505		
D5030R-BV	275	16,632	N2	450		
D5030RS-BV	275	21,773	N2	565		
D50400P-BV	280	98,303	N2	3289		
D50400R-BV	275	121,463	N2	2800		
D50400RS-BV	275	154,523	N2	3100		
D5040P	279	14,850	N2	819		
D5040P-BV	280	16,174	N2	871		
D5040R	276	18,713	N2	580		
D5040R-BV	275	19,785	N2	425		
D5040RS-BV	275	25,983	N2	570		
D50500P-BV	280	129,266	N2	4169		
D50500R-BV	275	164,021	N2	3480		
D5050P	279	16,923	N2	822		
D5050P-BV	280	18,090	N2	899		
D5050R	276	21,381	N2	775		
D5050R-BV	275	22,211	N2	530		
D5050RS-BV	275	28,466	N2	610		

<sup>(1)</sup> Shipping weight is approximate.

<sup>(2)</sup> Baldor has suggested alternate products, however there may be slight differences in performance, efficiency, voltage range, dimensions and mounting. Customers should verify suitability of selected products for their specific application.

Gearmotors and Gear Products

Catalog Number	Page Number	List Price	Mult Sym	Ship Wgt <sup>(1)</sup>	Type	Alternate Cat Number <sup>(2)</sup>
D5060P	279	19,371	N2	815		D5075P
D5060P-BV	280	20,316	N2	869		D5075P-BV
D5060R	276	24,482	N2	850		
D5060R-BV	275	25,028	N2	650		
D5060RS-BV	275	31,848	N2	810		
D5075P	279	22,756	N2	959		
D5075P-BV	280	23,394	N2	999		
D5075R-BV	275	28,928	N2	695		
D5075RS-BV	275	36,528	N2	930		
D51100R-BV	275	43,793	N2	1240		
D51125RR-BV	275	52,096	N2	1475		
D51150RR-BV	275	60,130	N2	1860		
D51200R-BV	275	72,045	N2	2010		
D51250R-BV	275	87,340	N2	2800		
D51300R-BV	275	101,564	N2	3100		
D5130R-BV	275	21,017	N2	550		
D51400R-BV	275	136,315	N2	3830		
D5140R-BV	275	24,453	N2	650		
D51500R-BV	275	172,203	N2	4560		
D5150R-BV	275	27,744	N2	735		
D5160R-BV	275	31,311	N2	870		
D5175R-BV	275	36,330	N2	1190		
D5505P	281	7,399	N2	229		
D5505R	274	8,737	N2	345		
D5507P	281	8,394	N2	319		
D5507R	274	10,579	N2	375		
D5510P	281	9,582	N2	459		
D5510R	274	12,085	N2	290		
D5515P	281	12,366	N2	629		
D5515R	274	15,609	N2	555		
D5520P	281	14,202	N2	867		D5525P
D5520R	274	17,936	N2	630		
D5525P	281	16,632	N2	870		
D5525R	274	21,012	N2	825		
D5530R	274	23,264	N2	900		
D5540R	274	29,367	N2	1150		
D5550R	274	35,357	N2	1325		
D70CA	330	900	E7	6		D71CA
D71CA	330	965	E7	6		D72CA
D72CA	330	1,087	E7	9		D73CP
D73CP	330	2,229	E7	29		D74CP
D74CP	330	2,907	E7	30		D75CP
D75CP	330	5,179	E7	68		
D80CA	330	959	E7	12		D81CA
D81CA	330	1,015	E7	7		D82CA
D82CA	330	1,131	E7	8		
D90CA	330	900	E7	6		D91CA
D91CA	330	965	E7	6		D92CA
D92CA	330	1,087	E7	8		
DA1	406	45	A8	1		
DC10	404	1,162	A8	60		
DC12	404	1,263	A8	62		

Motor Accessories

Grinders

Generators

Servo Motors and Controls

Mod Express

Baldor Education Workshops

Warranties and Sales Policies

Cross Reference and Index

Baldor Sales Offices

Catalog Number	Page Number	List Price	Mult Sym	Ship Wgt <sup>(1)</sup>	Type	Alternate Cat Number <sup>(2)</sup>
DC12-3	404	1,263	A8	57		
DC14-3	404	2,062	A8	73		
DC14-3	404	2,062	A8	73		
DC2-40U	292	357	VS3DC	6		
DC2-42U	292	438	VS3DC	6		
DC2-43U	292	400	VS3DC	6		
DC2-50U	292	297	VS3DC	2		
DC2-52U	292	324	VS3DC	2		
DC2-54U	292	324	VS3DC	2		
DC2-70U	292	405	VS3DC	7		
DC2-71U	292	524	VS3DC	8		
DC2-72U	292	550	VS3DC	7		
DC2-74U	292	562	VS3DC	8		
DC2-80U	292	405	VS3DC	7		
DC2-82U	292	497	VS3DC	7		
DC2-90U	292	427	VS3DC	7		
DC2-91U	292	551	VS3DC	8		
DC2-92U	292	551	VS3DC	8		
DC2-98U	292	594	VS3DC	8		
DC2-99U	292	486	VS3DC	8		
DC3N-12D-00-010-AI	296	356	VS3DC	2		
DC3N-12D-00-010-AN	294	160	VS3DC	1		
DC3N-12D-01-010-AN	295	250	VS3DC	3		
DC3N-12D-4X-010-AI	296	529	VS3DC	6		
DC3N-12D-4X-010-AN	295	360	VS3DC	6		
DC3R-12D-00-010-AI	297	521	VS3DC	3		
DC3R-12D-00-010-AN	297	398	VS3DC	2		
DC3R-12D-4X-010-AN	298	675	VS3DC	9		
DC3R-12D-4X-010-DN	298	855	VS3DC	9		
DC7	404	1,162	A8	60		
DC8	404	1,162	A8	62		
DCC1641A	118	189	C1	16		
DCC1642A	118	189	C1	14		
DCC2442A	118	182	C1	17	1716C	
DCC2641A	118	213	C1	17		
DCC2642A	118	213	C1	19	1716C	
DCC3641A	118	236	C1	20		
DCC3642A	118	236	C1	20		
DEL3708TM	139	1,897	L1	132		
DEL3733TM	139	2,489	L1	162		DEL3737TM
DEL3737TM	139	3,040	L1	162		
DG3E	411	3,582	PG	196		
DG6E	411	4,995	PG	273		
DMG2305	281	6,285	N2	220		
DMG2307	281	7,230	N2	262		DMG2310
DMG2310	281	8,013	N2	246		
DMG2315	281	13,452	N2	429		
DMG2320	281	14,727	N2	589		
DMG2325	281	16,103	N2	849		
DMG2333	281	20,421	N2	831		
DMG2340	281	22,385	N2	910		
DR913X913B5	385	151	A8	9		

<sup>(1)</sup> Shipping weight is approximate.

<sup>(2)</sup> Baldor has suggested alternate products, however there may be slight differences in performance, efficiency, voltage range, dimensions and mounting. Customers should verify suitability of selected products for their specific application.

Catalog Number	Page Number	List Price	Mult Sym	Ship Wgt <sup>(1)</sup>	Type	Alternate Cat Number <sup>(2)</sup>
DR913X918B5	385	158	A8	9		
DR913X921B5	385	168	A8	1		DR913X924B5
DR913X924B5	385	168	A8	1		DR913X921B5
DR913X926B5	385	182	A8	1		
DR918X924B7	385	182	A8	1		
DR918X926B7	385	189	A8	1		DR918X932B7
DR918X932B7	385	189	A8	1		DR918X926B7
DR924X938B9	385	189	A8	1		
DSP4-6	322	509	E9	2		
DTM8000-6	322	578	E9	1		
EB0389A00SP	327	681	E8	3		
EBM2333T	155	5,459	L1	280		
EBM2334T	155	6,619	L1	331		
EBM3546	155	1,287	K	48	3524M	
EBM3546T	155	1,287	L1	47	3524M	
EBM3554T	155	1,449	L1	52		
EBM3558T	155	1,481	L1	56		
EBM3611T	155	1,919	L1	86	3628M	
EBM3615T	155	2,327	L1	109		
EBM3710T	155	3,121	L1	158	3736M	
EBM3714T	155	3,858	L1	176		
EBM4103T	155	7,450	L1	504		
EBM4104T	155	10,091	L1	701		
ECP2276T	19, 59	2,407	SD	344		CP2276T
ECP2276T-4	19, 59	2,407	SD	308		CP2276T-4
ECP2276T-5	168, 22, 63	2,407	SD	267		
ECP2280T-4	19, 59	3,693	SD	337		
ECP2294T	20, 59	2,460	SD	349		
ECP2332T	20, 59	3,127	SD	347		CP2332T
ECP2332T-4	20, 59	3,127	SD	342		CP2332T-4
ECP2332T-5	168, 22, 63	3,127	SD	286		
ECP2333T	20, 59	2,311	SD	326		CECP2333T
ECP2333T-4	20, 59	2,311	SD	323		CP2333T-4
ECP2333T-5	168, 22, 63	2,311	SD	255		
ECP2334T	20, 60	2,479	SD	356		CECP2334T
ECP2334T-4	20, 60	2,479	SD	355		CP2334T-4
ECP2334T-5	168, 22, 63	2,479	SD	303		
ECP2394T-4	20, 59	2,460	SD	349		CP2394T-4
ECP2395T-4	20, 59	6,576	SD	442		
ECP2401T-4	19, 59	4,223	SD	370		
ECP2402T-4	20, 59	4,926	SD	445		
ECP3580T-4	19, 58	799	SD	55		CP3580T-4
ECP3581T	19, 58	878	SD	61	0524M	CECP3581T
ECP3581T-4	19, 58	878	SD	60	0524M	CP3581T-4
ECP3581T-5	168, 22, 63	878	SD	60	0524M	
ECP3582T	19, 58	970	SD	67		CP3582T
ECP3582T-4	19, 58	970	SD	64		CP3582T-4
ECP3583T-4	19, 58	909	SD	66		CP3583T-4
ECP3584T	19, 58	895	SD	67	0530M	CECP3584T
ECP3584T-4	19, 58	895	SD	65	0529M	CP3584T-4
ECP3584T-5	168, 22, 63	895	SD	65	0528M	ECP3587T-5
ECP3586T-4	19, 58	951	SD	66		CP3586T-4

Catalog Number	Page Number	List Price	Mult Sym	Ship Wgt <sup>(1)</sup>	Type	Alternate Cat Number <sup>(2)</sup>
ECP3587T	19, 58	934	SD	69	0532M	CECP3587T
ECP3587T-4	19, 58	934	SD	69	0532M	CP3587T-4
ECP3587T-5	168, 22, 63	934	SD	68	0532M	
ECP3660T	19, 58	1,125	SD	104		
ECP3660T-4	19, 58	1,125	SD	118		
ECP3661T	19, 58	1,182	SD	130		CECP3661T
ECP3661T-4	19, 58	1,182	SD	136		CP3661T-4
ECP3661T-5	168, 22, 63	1,182	SD	103		
ECP3663T	19, 59	1,384	SD	128		
ECP3663T-4	19, 59	1,384	SD	128		CP3663T-4
ECP3664T	19, 58	1,150	SD	144		
ECP3664T-4	19, 58	1,150	SD	137		
ECP3665T	19, 59	1,203	SD	143		CECP3665T
ECP3665T-4	19, 59	1,203	SD	137		CP3665T-4
ECP3665T-5	168, 22, 63	1,203	SD	121		
ECP3667T	19, 58	1,135	SD	136		
ECP3667T-4	19, 58	1,135	SD	134		
ECP3668T-4	19, 58	1,696	SD	146		
ECP3668T-4	19, 58	1,363	SD	135		
ECP3764T	19, 59	1,660	SD	181		
ECP3764T-4	19, 59	1,660	SD	186		CP3764T-4
ECP3764T-5	168, 22, 63	1,660	SD	186		
ECP3768T	19, 59	1,682	SD	199		
ECP3768T-4	19, 59	1,682	SD	197		CP3768T-4
ECP3768T-5	168, 22, 63	1,682	SD	205		
ECP3769T	19, 59	1,806	SD	178		
ECP3769T-4	19, 59	1,806	SD	191		CP3769T-4
ECP3770T	19, 59	1,515	SD	199		CECP3770T
ECP3770T-4	19, 59	1,515	SD	198		
ECP3770T-5	168, 22, 63	1,515	SD	178		
ECP3771T	20, 59	1,923	SD	188		
ECP3771T-4	20, 59	1,923	SD	188		CP3771T-4
ECP3772T-4	19, 58	2,139	SD	200		
ECP3774T	20, 59	1,814	SD	210		CECP3774T
ECP3774T-4	20, 59	1,814	SD	210		CP3774T-4
ECP3774T-5	168, 22, 63	1,814	SD	215		
ECP3775T-4	19, 59	2,320	SD	205		
ECP401004S-2340	24, 73	123,893	LM	10000		
ECP40702S-2340	23, 72	104,667	LM	10000		
ECP40802S-2340	24, 73	112,459	LM	10000		
ECP4100T	20, 59	3,585	SD	439		
ECP4100T-4	20, 59	3,585	SD	441		CP4100T-4
ECP4100T-5	168, 22, 63	3,585	SD	425	1056M	
ECP4102T	20, 60	4,871	SD	453		
ECP4102T-4	20, 60	4,871	SD	456		
ECP4102T-5	168, 22, 63	4,871	SD	452	1062M	
ECP4103T	20, 60	3,244	SD	454		ECP4103T
ECP4103T-4	20, 60	3,244	SD	456		CP4103T-4
ECP4103T-5	168, 22, 63	3,244	SD	427		
ECP4104T	20, 60	3,852	SD	462		CECP4104T
ECP4104T-4	20, 60	3,852	SD	452		CP4104T-4
ECP4104T-5	168, 22, 63	3,852	SD	471		CP4104T-4

<sup>(1)</sup> Shipping weight is approximate.

<sup>(2)</sup> Baldor has suggested alternate products, however there may be slight differences in performance, efficiency, voltage range, dimensions and mounting. Customers should verify suitability of selected products for their specific application.

Gearmotors and Gear Products

Motor Accessories

Grinders

Generators

Servo Motors and Controls

Mod Express

Baldor Education Workshops

Warranties and Sales Policies

Cross Reference and Index

Baldor Sales Offices

Catalog Number	Page Number	List Price	Mult Sym	Ship Wgt <sup>(1)</sup>	Type	Alternate Cat Number <sup>(2)</sup>
ECP4106T	20, 60	2,870	SD	348		
ECP4106T-4	20, 60	2,870	SD	345		CP4106T-4
ECP4107T	20, 60	3,449	SD	398		
ECP4107T-4	20, 60	3,449	SD	449		CP4107T-4
ECP4108T	20, 60	4,205	SD	450		
ECP4108T-4	20, 60	4,205	SD	451		CP4108T-4
ECP4109T	20, 60	5,777	SD	557		
ECP4109T-4	20, 60	5,777	SD	653		
ECP4110T	20, 60	5,040	SD	647		
ECP4110T-4	20, 60	5,040	SD	658		CP4110T-4
ECP4110T-5	168, 22, 63	5,040	SD	578		CP4110T-4
ECP4111T	20, 60	5,090	SD	651		
ECP4111T-4	20, 60	5,090	SD	650		
ECP4111T-5	168, 22, 63	5,090	SD	556		
ECP4112T-4	20, 60	7,497	SD	620		
ECP4114T	20, 60	6,054	SD	683		
ECP4114T-4	20, 60	6,054	SD	680		
ECP4115T	20, 60	5,916	SD	720		
ECP4115T-4	20, 60	5,916	SD	704		
ECP4115T-5	168, 22, 63	5,916	SD	640		CP4115T-4
ECP4117T	20, 60	6,562	SD	698		
ECP4117T-4	20, 60	6,562	SD	695		CP4117T-4
ECP4308T	20, 60	8,179	SD	865		
ECP4308T-4	20, 60	8,179	SD	893		
ECP4310T	20, 61	8,786	SD	748		
ECP4310T-4	20, 61	8,786	SD	816		
ECP4312T	20, 60	8,712	SD	899		
ECP4312T-4	20, 60	8,712	SD	893		
ECP4313T	21, 61	9,822	SD	964		
ECP4313T-4	21, 61	9,822	SD	911		
ECP4314T	20, 61	7,929	SD	847		
ECP4314T-4	20, 61	7,929	SD	862		CP4314T-4
ECP4314T-5	168, 22, 63	7,929	SD	821		
ECP4316T	21, 61	9,265	SD	931		
ECP4316T-4	21, 61	9,265	SD	887		CP4316T-4
ECP4316T-5	168, 22, 63	9,265	SD	912		
ECP4400T-4	21, 61	12,162	SD	1343		CP4400T-4
ECP4400T-5	168, 22, 63	12,162	SD	1178		
ECP4400TS-4	21, 61	12,162	SD	1292		
ECP4402T	21, 61	12,346	SD	1119		
ECP4402T-4	21, 61	12,346	SD	1266		ECP84402T-4
ECP4403T	20, 61	11,900	SD	1257		
ECP4403T-4	20, 61	11,900	SD	1308		
ECP4404T	21, 61	14,483	SD	1305		
ECP4404T-4	21, 61	14,483	SD	1160	1680M	ECP84404T-4
ECP4406T-4	21, 61	16,844	SD	1922		ECP84406T-4
ECP4406T-5	168, 22, 63	16,844	SD	1823	1888M	ECP84406T-5
ECP4407T-4	21, 61	20,263	SD	2417		ECP84407T-4
ECP4407T-5	168, 22, 63	20,263	SD	2345		ECP84407T-5
ECP4407TR-4	21, 61	20,555	SD	2077	18136M	
ECP4407TS-4	21, 61	20,555	SD	2358		
ECP4408T-4	21, 61	25,714	SD	2745		ECP84408T-4

Catalog Number	Page Number	List Price	Mult Sym	Ship Wgt <sup>(1)</sup>	Type	Alternate Cat Number <sup>(2)</sup>
ECP4408TR-4	21, 61	25,714	SD	2764		
ECP4409T-4	21, 61	15,930	SD	1765		ECP84409T-4
ECP4410T-4	21, 61	14,378	SD	1781		ECP84410T-4
ECP4410T-5	168, 22, 63	14,378	SD	1675	1876M	ECP84410T-5
ECP4411T-4	21, 61	17,996	SD	1884		ECP84411T-4
ECP4412T	21, 61	14,507	SD	1654		
ECP4412T-4	21, 61	14,507	SD	1712		ECP84412T-4
ECP4413T	21, 61	17,007	SD	1634		
ECP4413T-4	21, 61	17,007	SD	1921		ECP84413T-4
ECP44156T-4	21, 61	20,290	SD	2006		ECP844156T-4
ECP44156TR-4	21, 61	20,290	SD	2048		
ECP4416T-4	21, 61	20,139	SD	2129		ECP84416T-4
ECP44202T-2341	23, 72	44,032	LM	2300	18124M	
ECP44202T-4	21, 61	20,139	SD	1986		
ECP44204T-2341	23, 72	42,886	LM	2349	18136M	
ECP44206T-4	21, 61	26,578	SD	2809		ECP844206T-4
ECP44206TR-4	21, 61	26,578	SD	2848		
ECP44252T-4	21, 61	30,796	SD	2424		ECP844252T-4
ECP44256T-4	21, 61	37,079	SD	2973		ECP844256T-4
ECP44256TR-4	21, 61	37,079	SD	2999		
ECP44302T-4	21, 61	45,010	SD	2500		
ECP44304T-4	21, 61	35,442	SD	2853		M44304T-4
ECP44304TR-4	21, 61	35,442	SD	2925		
ECP44352T-4	21, 62	54,025	SD	2848		
ECP44354T-4	21, 62	42,529	SD	3041		M44354T-4
ECP44402T-4	21, 62	63,206	SD	2845		
ECP44404T-4	21, 62	53,119	SD	3459		M44404T-4
ECP50252S-2340	23, 72	69,280	LM	5300	20128M	
ECP50252S-2341	23, 72	70,381	LM	3600		
ECP50254L-2340	23, 72	67,956	LM	4700	20120M	
ECP50254S-2340	23, 72	65,753	LM	4700		
ECP50256LR-2340	23, 72	75,423	LM	5650		
ECP50256S-2340	23, 72	72,119	LM	5550		
ECP50302S-2340	23, 72	71,299	LM	5300	20128M	
ECP50304L-2340	23, 72	69,616	LM	5140	20120M	
ECP50304S-2340	23, 72	67,413	LM	4700		
ECP50306LR-2340	23, 72	77,709	LM	5650		
ECP50306S-2340	23, 72	74,404	LM	5550		
ECP50352S-2340	23, 72	73,020	LM	6000	20168M	
ECP50354L-2340	23, 72	71,285	LM	6000	20136M	
ECP50354S-2340	23, 72	69,083	LM	4700		
ECP50356L-4	21, 62	58,658	LM	5732		
ECP50356LR-2340	23, 72	83,383	LM	6600		
ECP50356S-2340	23, 72	80,079	LM	6500		
ECP50402S-2340	23, 72	75,244	LM	6000	20168M	
ECP50404L-2340	23, 72	72,989	LM	4036	20136M	
ECP50404S-2340	23, 72	70,786	LM	4700		
ECP50406LR-2340	23, 72	86,197	LM	6600		
ECP50406S-2340	23, 72	82,893	LM	6500		
ECP50452S-2340	23, 72	76,781	LM	5500	20184M	
ECP50454L-2340	23, 72	74,627	LM	6200	20180M	
ECP50454L-2341	23, 72	75,728	LM	5650		ECP50454L-2341

(1) Shipping weight is approximate.

(2) Baldor has suggested alternate products, however there may be slight differences in performance, efficiency, voltage range, dimensions and mounting. Customers should verify suitability of selected products for their specific application.



Catalog Number	Page Number	List Price	Mult Sym	Ship Wgt (1)	Type	Alternate Cat Number (2)
ECP50454S-2340	23, 72	72,424	LM	5550		
ECP50456LR-2341	23, 72	91,320	LM	6600		
ECP50456S-2340	23, 72	88,029	LM	6500		
ECP50502S-2340	23, 72	83,190	LM	5500	20184M	
ECP50504L-2340	23, 72	77,508	LM	5500	20192M	
ECP50504S-2340	23, 72	75,305	LM	5550		
ECP50506LR-2341	23, 72	96,181	LM	6600		
ECP50506S-2340	23, 72	92,891	LM	6500		
ECP50602S-2340	23, 72	81,615	LM	5500	20184M	
ECP50604L-2340	23, 72	81,815	LM	5500	20200M	
ECP50604S-2340	23, 72	79,612	LM	6500		
ECP50606LR-2341	23, 72	117,256	LM	6600		
ECP50606S-2340	23, 72	113,969	LM	6500		
ECP50704S-2340	23, 72	82,932	LM	6500		
ECP50804L-2340	24, 73	91,605	LM	5500	20256M	
ECP50804S-2340	24, 73	89,402	LM	6500		
ECP50904L-2340	24, 73	103,583	LM	6300	20256M	
ECP62333TR-4	71	2,539	SD	326		
ECP62334TR-4	71	2,745	SD	364		
ECP63665TR-4	71	1,322	SD	142		
ECP63770TR-4	71	1,666	SD	220		
ECP63774TR-4	71	1,972	SD	224		
ECP64103TR-4	71	3,561	SD	456		
ECP64104TR-4	71	4,193	SD	456		
ECP64110TR-4	71	5,583	SD	670		
ECP64115TR-4	71	6,556	SD	726		
ECP64314TR-4	71	8,705	SD	850		
ECP64316TR-4	71	10,124	SD	890		
ECP82276T-4	66	2,691	SD	347		
ECP82276T-5	169, 69	2,822	SD	351		
ECP82332T-4	66	3,435	SD	347		
ECP82332T-5	169, 69	3,435	SD	345		
ECP82333T-4	66	2,539	SD	327		
ECP82333T-5	169, 69	2,539	SD	323		
ECP82334T-4	66	2,745	SD	352		
ECP82334T-5	169, 69	2,745	SD	344		
ECP82394T-4	66	2,749	SD	349		
ECP82394T-5	169, 69	2,749	SD	350		
ECP83580T-4	66	877	SD	59		
ECP83580T-5	169, 69	877	SD	35		
ECP83581T-4	66	963	SD	66	0524M	
ECP83581T-5	169, 69	963	SD	61		
ECP83582T-4	66	1,033	SD	66		
ECP83582T-5	169, 69	1,033	SD	42		
ECP83583T-4	66	942	SD	65		
ECP83583T-5	169, 69	942	SD	68		
ECP83584T-4	66	981	SD	66	0529M	
ECP83584T-5	169, 69	981	SD	48	0528M	
ECP83586T-4	66	1,034	SD	75	0535M	
ECP83586T-5	169, 69	977	SD	78	0535M	
ECP83587T-4	66	1,025	SD	72	0532M	
ECP83587T-5	169, 69	1,025	SD	70	0532M	

Catalog Number	Page Number	List Price	Mult Sym	Ship Wgt (1)	Type	Alternate Cat Number (2)
ECP83660T-4	66	1,233	SD	119		
ECP83660T-5	169, 69	1,233	SD	117		
ECP83661T-4	66	1,297	SD	134		
ECP83661T-5	169, 69	1,297	SD	137		
ECP83663T-4	66	1,519	SD	137		
ECP83663T-5	169, 69	1,519	SD	124		
ECP83664T-4	66	1,103	SD	144		
ECP83664T-5	169, 69	1,103	SD	143		
ECP83665T-4	66	1,322	SD	142		
ECP83665T-5	169, 69	1,322	SD	138		
ECP83667T-4	66	1,190	SD	134		
ECP83667T-5	169, 69	1,190	SD	137		
ECP83764T-4	66	1,804	SD	186		
ECP83764T-5	169, 69	1,804	SD	183		
ECP83768T-4	66	1,865	SD	200		
ECP83768T-5	169, 69	1,865	SD	203		
ECP83769T-4	66	1,984	SD	184		
ECP83769T-5	169, 69	1,984	SD	182		
ECP83770T-4	66	1,666	SD	198		
ECP83770T-5	169, 69	1,666	SD	202		
ECP83771T-4	66	2,112	SD	190		
ECP83771T-5	169, 69	2,112	SD	190		
ECP83774T-4	66	1,972	SD	213		
ECP83774T-5	169, 69	1,972	SD	210		
ECP84100T-4	66	3,969	SD	442		
ECP84100T-5	169, 69	3,969	SD	445		
ECP84102T-4	66	5,348	SD	458		
ECP84102T-5	169, 69	5,348	SD	470		
ECP84103T-4	66	3,561	SD	447		
ECP84103T-5	169, 69	3,561	SD	455		
ECP84104T-4	66	4,193	SD	456		
ECP84104T-5	169, 69	4,193	SD	458		
ECP84106T-4	66	3,151	SD	346		
ECP84106T-5	169, 69	3,151	SD	348		
ECP84107T-4	66	3,853	SD	451		
ECP84107T-5	169, 69	3,853	SD	454		
ECP84108T-4	66	4,615	SD	462		
ECP84108T-5	169, 69	4,615	SD	454		
ECP84109T-4	66	6,315	SD	647		
ECP84109T-5	169, 69	6,315	SD	653		
ECP84110T-4	66	5,583	SD	658		
ECP84110T-5	169, 69	5,583	SD	661		
ECP84111T-4	66	5,637	SD	587		
ECP84111T-5	169, 69	5,637	SD	650		
ECP84114T-4	67	6,587	SD	683		
ECP84114T-5	170, 69	6,587	SD	675		
ECP84115T-4	67	6,556	SD	689		
ECP84115T-5	170, 69	6,556	SD	714		
ECP84117T-4	66	7,335	SD	701		
ECP84117T-5	169, 69	7,335	SD	698		
ECP84308T-4	66	8,980	SD	899		
ECP84308T-5	170, 69	8,980	SD	865		

(1) Shipping weight is approximate.

(2) Baldor has suggested alternate products, however there may be slight differences in performance, efficiency, voltage range, dimensions and mounting. Customers should verify suitability of selected products for their specific application.

Gearmotors and Gear Products

Motor Accessories

Grinders

Generators

Servo Motors and Controls

Mod Express

Baldor Education Workshops

Warranties and Sales Policies

Cross Reference and Index

Baldor District Offices



Gearmotors and Gear Products

Motor Accessories

Grinders

Generators

Servo Motors and Controls

Mod Express

Baldor Education Workshops

Warranties and Sales Policies

Cross Reference and Index

Baldor Sales Offices

Catalog Number	Page Number	List Price	Mult Sym	Ship Wgt <sup>(1)</sup>	Type	Alternate Cat Number <sup>(2)</sup>
ECP84310T-4	67	9,735	SD	885		
ECP84310T-5	170, 70	9,735	SD	890		
ECP84312T-4	67	9,564	SD	889		
ECP84312T-5	170, 69	9,564	SD	890		
ECP84313T-4	67	10,783	SD	938		
ECP84313T-5	170, 70	10,783	SD	978		
ECP84314T-4	67	8,705	SD	851		
ECP84314T-5	170, 70	8,705	SD	871		
ECP84316T-4	67	10,124	SD	958		
ECP84316T-5	170, 70	10,124	SD	953		
ECP84400T-4	67	13,513	SD	1281		
ECP84400T-5	170, 70	13,513	SD	1330		
ECP84402T-4	67	12,922	SD	1267		
ECP84402T-5	170, 70	12,922	SD	1302		
ECP84403T-4	67	12,397	SD	1110		
ECP84403T-5	170, 70	12,397	SD	1220		
ECP84404T-4	67	15,016	SD	1172		
ECP84404T-5	170, 70	15,016	SD	1260		
ECP84406T-4	67	18,128	SD	1932		
ECP84406T-5	170, 70	18,128	SD	1933		
ECP84407T-4	67	21,810	SD	2388		
ECP84407T-5	170, 70	21,810	SD	2390		
ECP84407TR-4	67	21,810	SD	2464		
ECP84407TR-5	170, 70	21,810	SD	2453		
ECP84408T-4	67	27,841	SD	2729		
ECP84408T-5	170, 70	27,841	SD	2723		
ECP84408TR-4	67	27,841	SD	2800		
ECP84408TR-5	170, 70	27,841	SD	2727		
ECP84409T-4	67	16,517	SD	1758		
ECP84409T-5	170, 70	16,517	SD	1670		
ECP84410T-4	67	15,329	SD	1779		
ECP84410T-5	170, 70	15,329	SD	1784		
ECP84411T-4	67	18,748	SD	1901		
ECP84411T-5	170, 70	18,748	SD	1860		
ECP84412T-4	67	15,112	SD	1707		
ECP84412T-5	170, 70	15,112	SD	1717		
ECP84413T-4	67	17,367	SD	1956		
ECP84413T-5	170, 70	17,367	SD	1947		
ECP844156T-4	67	20,838	SD	2355		
ECP844156TR-4	67	20,838	SD	2405		
ECP844156TR-5	170, 70	20,838	SD	2300		
ECP84416T-4	67	22,959	SD	1995		
ECP84416T-5	170, 70	22,959	SD	1991		
ECP844206T-4	67	27,684	SD	2768		
ECP844206TR-4	67	27,684	SD	2802		
ECP844206TR-5	170, 70	27,684	SD	2590		
ECP844252T-4	67	36,992	SD	2724		
ECP844252T-5	170, 70	36,992	SD	2712		
ECP844256T-4	67	38,856	SD	1997		
ECTM2276T	121	2,359	L1	298		
ECTM2332T	121	2,695	L1	282		
ECTM2333T	121	2,479	L1	255		

Catalog Number	Page Number	List Price	Mult Sym	Ship Wgt <sup>(1)</sup>	Type	Alternate Cat Number <sup>(2)</sup>
ECTM2334T	121	2,765	L1	286		
ECTM3665T	121	1,043	L1	109		
ECTM3768T	121	1,657	L1	203	0746M	
ECTM3770T	121	1,391	L1	170		
ECTM3774T	121	1,867	L1	231		
ECTM4100T	121	3,594	L1	421	1050M	
ECTM4102T	121	4,786	L1	420		
ECTM4103T	121	3,404	L1	417		
ECTM4104T	121	4,040	L1	492		
ECTM4110T	121	5,283	L1	592		
ECTM4111T	121	5,415	L1	537		
ECTM4115T	121	6,317	L1	635		
ECTM4117T	121	6,257	L1	592		
ECTM4308T	121	7,796	L1	831		
ECTM4312T	121	9,421	L1	851		
ECTM4314T	121	8,308	L1	808		
ECTM4316T	121	9,715	L1	832		
ECTM4403T	121	11,435	L1	1114		
EFM2333T	147, 24	1,942	L1	255		EFM2334T
EFM2334T	147, 24	2,352	L1	286		
EFM2513T	147, 24	1,742	L1	234		FM2513T
EFM2513T-8	16, 162	1,785	L1	234		FM2513T-8
EFM2515T	147, 24	2,187	L1	237		FM2515T
EFM2515T-8	16, 162	2,241	L1	237		FM2515T-8
EFM2531T	147, 24	2,666	L1	332		FM2531T
EFM2535T	147, 24	2,915	L1	372		FM2535T
EFM2539T	147, 24	3,803	L1	477		FM2539T
EFM2543T	147, 24	4,197	L1	472		FM2543T
EFM2547T	147, 24	5,284	L1	782		
EFM3116T	147, 24	522	L1	36		EM3116T
EFM3154T	147, 24	546	L1	37	3528M	EM3154T
EFM3157T	147, 24	585	L1	43		EM3157T
EFM3157T-8	16, 162	600	L1	48		EM3157T-8
EFM3211T	147, 24	631	L1	66		FM3211T
EFM3211T-8	16, 162	647	L1	66		EM3211T-8
EFM3218T	147, 24	691	L1	84		FM3218T
EFM3218T-8	16, 162	708	L1	69		EM3218T-8
EFM3311T	147, 24	1,016	L1	111	3733M	FM3311T
EFM3311T-8	16, 162	1,041	L1	109	3733M	FM3311T-8
EFM3313T	147, 24	1,230	L1	123		FM3313T
EFM3313T-8	16, 162	1,260	L1	145	3739M	FM3313T-8
EFM4103T	147, 24	3,076	L1	392		
EFM4104T	147, 24	3,653	L1	444		
EH3M9101	129	442	LS	21		
EH3M9102	129	432	LS	27		
EH3M9104	129	483	LS	24		
EH3M9105	127	450	LS	31		
EH3M9106	129	472	LS	25		
EH3M9110T	129	609	LS	34		
EH3M9112T	129	625	LS	42		
EH3M9114T	129	635	LS	39		
EH3M9117T	130	685	LS	49		

(1) Shipping weight is approximate.

(2) Baldor has suggested alternate products, however there may be slight differences in performance, efficiency, voltage range, dimensions and mounting. Customers should verify suitability of selected products for their specific application.

Catalog Number	Page Number	List Price	Mult Sym	Ship Wgt <sup>(1)</sup>	Type	Alternate Cat Number <sup>(2)</sup>
EH3M9118T	130	658	LS	51		
EH3M9121T	130	760	LS	56		
EH3M9122T	130	740	LS	75		
EH3M9125T	130	840	LS	70		
EH3M9126T	130	810	LS	92		
EH3M9128T	130	1,261	LS	116		
EH3M9129T	130	1,167	LS	113		
EH3M9131T	130	1,279	LS	140		
EH3M9132T	130	1,316	LS	137	3738M	
EH3M9135T	130	2,030	LS	242		
EH3M9139T	130	2,461	LS	248		
EH3M9202	127	358	LS	24		
EH3M9204	127	359	LS	25		
EH3M9206	127	415	LS	29		
EH3M9210T	127	537	LS	37		
EH3M9214T	127	558	LS	39		
EH3M9217T	127	617	LS	43		
EH3M9218T	127	599	LS	45		
EH3M9221T	127	625	LS	48		
EH3M9222T	127	644	LS	64		
EH3M9225T	128	684	LS	59		
EH3M9226T	128	705	LS	78		
EH3M9228T	128	1,084	LS	74		
EH3M9229T	128	1,037	LS	117		
EH3M9231T	128	1,235	LS	116		
EH3M9232T	128	1,256	LS	142	3733M	
EH3M9233T	128	1,760	LS	140		
EH3M9235T	128	1,779	LS	187		
EH3M9238T	128	2,066	LS	186		
EH3M9239T	128	2,235	LS	242		
EH3M9242T	128	2,724	LS	312		
EH3M9244T	128	2,927	LS	250		
EH3M9246T	128	2,980	LS	339		
EH3M9248T	128	3,774	LS	288	3956M	
EH3M9249T	128	3,888	LS	378		
EH3M9258T	128	6,635	LS	553		
EHFM2515T	125	2,179	LS	245		
EHFM2523T	125	1,737	LS	245		
EHFM2531T	125	2,655	LS	330		
EHFM2535T	125	2,904	LS	379		
EHFM2539T	125	3,786	LS	479		
EHFM2543T	125	4,179	LS	505		
EHFM2547T	125	5,259	LS	563		
EHFM2551T	125	6,455	LS	616		
EHFM2555T	125	7,360	LS	552	4476M	
EHFM3116T	124	527	LS	33		
EHFM3154T	124	551	LS	41	3528M	
EHFM3157T	124	590	LS	46		
EHFM3211T	124	635	LS	72		
EHFM3218T	124	691	LS	82		
EHFM3311T	124	1,014	LS	112	3733M	
EHFM3313T	125	1,225	LS	134		

Catalog Number	Page Number	List Price	Mult Sym	Ship Wgt <sup>(1)</sup>	Type	Alternate Cat Number <sup>(2)</sup>
EHM2515T	124	2,179	LS	255		
EHM2523T	124	1,737	LS	234		
EHM2531T	124	2,655	LS	330		
EHM2535T	124	2,904	LS	379		
EHM2539T	124	3,786	LS	523		
EHM2543T	124	4,649	LS	515		
EHM2547T	124	5,259	LS	557		
EHM2551T	124	6,455	LS	616		
EHM2555T	124	7,360	LS	552	4476M	
EHM3116T	124	527	LS	34		
EHM3154T	124	548	LS	38	3528M	
EHM3157T	124	590	LS	46		
EHM3211T	124	635	LS	75		
EHM3218T	124	691	LS	82		
EHM3311T	124	1,014	LS	109	3733M	
EHM3313T	124	1,225	LS	124		
EHM9110T	129	609	LS	35		
EHM9114T	129	635	LS	43		
EHM9118T	129	658	LS	54		
EHM9122T	129	740	LS	74		
EHM9126T	129	810	LS	92		
EHM9129T	129	1,167	LS	115		
EHM9132T	129	1,316	LS	126	3738M	
EHM9135T	129	2,030	LS	255		
EHM9139T	129	2,461	LS	265		
EHM9142T	129	3,221	LS	403		
EHM9146T	129	3,825	LS	353		
EHM9149T	129	5,000	LS	579		
EHM9152T	129	5,463	LS	611		
EHM9155T	129	8,737	LS	808		
EHM9214T	127	508	LS	37		
EHM9218T	127	599	LS	42	3528M	
EHM9222T	127	644	LS	63		
EHM9226T	127	705	LS	81		
EHM9229T	127	1,037	LS	117		
EHM9232T	127	1,256	LS	143	3733M	
EHM9235T	127	1,779	LS	187		
EHM9246T	127	2,980	LS	339	4048M	
EHM9252T	127	4,291	LS	380		
EJMM2333T	104, 29	2,580	L1	255		
EJMM2334T	104, 29	2,911	L1	303		
EJMM2394T	104, 29	2,603	L1	248	0934M	
EJMM2513T	105, 30	2,115	L1	234		
EJMM2514T	106, 30	2,351	L1	186		
EJMM2515T	106, 30	2,533	L1	237		
EJMM2516T	106, 30	2,787	L1	242	3940M	
EJMM2534T	106, 30	3,543	L1	330		
EJMM2538T	106, 30	4,266	L1	377		
EJMM2542T	106, 30	4,809	L1	447	4058M	
EJMM3116T	105, 30	595	L1	37		
EJMM3154T	105, 30	643	L1	43	3528M	
EJMM3155T	105, 30	712	L1	45		

<sup>(1)</sup> Shipping weight is approximate.

<sup>(2)</sup> Baldor has suggested alternate products, however there may be slight differences in performance, efficiency, voltage range, dimensions and mounting. Customers should verify suitability of selected products for their specific application.

Gearmotors and Gear Products

Motor Accessories

Grinders

Generators

Servo Motors and Controls

Mod Express

Baldor Education Workshops

Warranties and Sales Policies

Cross Reference and Index

Baldor Sales Offices

Catalog Number	Page Number	List Price	Mult Sym	Ship Wgt <sup>(1)</sup>	Type	Alternate Cat Number <sup>(2)</sup>
EJMM3157T	105, 30	705	L1	51		
EJMM3158T	105, 30	799	L1	54		
EJMM3211T	105, 30	779	L1	69		
EJMM3212T	105, 30	953	L1	76		
EJMM3218T	105, 30	881	L1	90		
EJMM3219T	105, 30	1,126	L1	91		
EJMM3311T	105, 30	1,322	L1	116	3733M	
EJMM3312T	105, 30	1,451	L1	136		
EJMM3313T	105, 30	1,430	L1	163		
EJMM3314T	105, 30	1,867	L1	147		
EJMM3546T	103, 29	696	L1	44	3524M	
EJMM3550T	103, 29	691	L1	47	3524M	
EJMM3554T	103, 29	741	L1	49	3530M	
EJMM3555T	103, 29	742	L1	54		
EJMM3558T	103, 29	757	L1	52		
EJMM3559T	103, 29	797	L1	61		
EJMM3610T	103, 29	798	L1	66		
EJMM3611T	103, 29	878	L1	75		
EJMM3613T	103, 29	947	L1	81		
EJMM3615T	103, 29	881	L1	95		
EJMM3709T	103, 29	1,240	L1	142		
EJMM3710T	103, 29	1,341	L1	136		
EJMM3711T	103, 29	1,425	L1	154		
EJMM3714T	103, 29	1,576	L1	158		
EJMM4103T	104, 29	3,450	L1	418		
EJMM4104T	104, 29	4,088	L1	451		
EJMM4106T	104, 29	2,866	L1	282	0940M	
EJMM4107T	104, 29	3,331	L1	383		
EJMM4108T	104, 29	4,581	L1	382	1042M	
EJMM4109T	104, 29	5,188	L1	517		
EJMM4110T	104, 29	5,315	L1	617	1260M	
EJMM4114T	104, 29	6,278	L1	575		
EJMM4115T	104, 29	6,388	L1	633		
EJPM2333T	104, 29	2,580	L1	255		
EJPM2334T	104, 29	2,911	L1	303		
EJPM2394T	104, 29	2,603	L1	270		
EJPM2513T	105, 30	2,115	L1	242		
EJPM2514T	106, 30	2,351	L1	221		
EJPM2515T	106, 30	2,533	L1	234		
EJPM2516T	106, 30	2,787	L1	252		
EJPM2531T	106, 30	3,013	L1	330		
EJPM2534T	106, 30	3,543	L1	248		
EJPM2535T	106, 30	3,610	L1	378		
EJPM2538T	106, 30	4,266	L1	279		
EJPM2539T	106, 30	4,388	L1	475		
EJPM2542T	106, 30	4,809	L1	383		
EJPM2543T	106, 30	5,074	L1	474		
EJPM3312T	105, 30	1,451	L1	129		
EJPM3313T	105, 30	1,430	L1	136		
EJPM3314T	105, 30	1,867	L1	154		
EJPM3714T	103, 29	1,576	L1	165		
EJPM4103T	104, 29	3,450	L1	410		

Catalog Number	Page Number	List Price	Mult Sym	Ship Wgt <sup>(1)</sup>	Type	Alternate Cat Number <sup>(2)</sup>
EJPM4104T	104, 29	4,088	L1	460		
EJPM4106T	104, 29	2,866	L1	265		
EJPM4107T	104, 29	3,331	L1	286		
EJPM4108T	104, 29	4,581	L1	435		
EJPM4109T	104, 29	5,188	L1	489		
EJPM4110T	104, 29	5,315	L1	618		
EJPM4114T	104, 29	6,278	L1	630		
EJPM4115T	104, 29	6,388	L1	635		
EL1203	31, 35	306	K	23		
EL1301	31, 35	363	K	26		
EL1304	31, 35	415	K	29		
EL1307	31, 35	512	K	35		
EL1310	31, 35	557	K	40		
EL1319	31, 36	730	K	47		
EL1319T	31, 36	757	L1	49		
EL1405T	31, 36	854	L1	65		
EL1408T	31, 36	894	L1	78		
EL1410T	31, 36	1,021	L1	95		
EL3403	31, 32	353	K	24		
EL3501	31, 32	390	K	28		
EL3504	31, 32	460	K	30		
EL3507	31, 32	560	K	41		
EL3510	31, 33	643	K	44		
EL3514	31, 33	733	K	57		
EL3514T	31, 33	733	L1	57		
EL3605T	31, 33	1,003	L1	64		
EL3609T	31, 33	1,170	L1	90		
EL3612T	31, 33	1,396	L1	96		
EM11042-57	178	1,190	L1	106	0640M	
EM11044-57	178	996	L1	56		
EM13062-58	178	1,379	L1	78	0733M	
EM13064-58	178	1,329	L1	81	0740M	
EM13082-58	178	1,617	L1	91	0748M	
EM13084-58	178	1,490	L1	91	0750M	
EM16112-58	178	2,327	L1	282	0940M	
EM16114-58	178	2,149	L1	286	0948M	
EM16152-58	178	2,545	L1	294		
EM16154-58	178	2,584	L1	315	0956M	
EM16192-58	178	3,290	L1	310	0954M	
EM18194-58	178	3,350	L1	459	1060M	
EM18222-58	178	3,890	L1	445	1052M	
EM18224-58	178	3,956	L1	451	1060M	
EM20302-58	178	5,011	L1	608	1264M	
EM20304-58	178	5,142	L1	608		
EM20372-58	178	5,785	L1	633		
EM22374-58	178	5,611	L1	367	1462M	
EM22452-58	178	8,087	L1	815		
EM22454-58	178	8,030	L1	808		
EM2276T	41, 9	2,146	L1	298		M2276T
EM2332T	41, 9	2,450	L1	282		M2332T
EM2333T	41, 9	1,942	LS	255		M2333T
EM2333T-5	164, 17	1,942	LS	235		

(1) Shipping weight is approximate.

(2) Baldor has suggested alternate products, however there may be slight differences in performance, efficiency, voltage range, dimensions and mounting. Customers should verify suitability of selected products for their specific application.

Catalog Number	Page Number	List Price	Mult Sym	Ship Wgt <sup>(1)</sup>	Type	Alternate Cat Number <sup>(2)</sup>
EM2333T-8	15, 160	2,000	L1	238		
EM2334T	42, 9	2,355	LS	291		M2334T
EM2334T-5	17,164	2,355	LS	303		
EM2334T-8	15, 160	2,426	L1	286	0952M	M2334T-8
EM2394T	41, 9	2,122	L1	270		M2394T
EM2394T-5	164, 17	2,122	L1	268		
EM2394T-8	15, 160	2,174	L1	267	0934M	
EM2506T	13, 52	1,464	L1	245	3956M	M2506T
EM251002S-2340	24, 55, 73	106,775	LM	6700		
EM2511T	13, 52	1,905	L1	249		M2511T
EM251252S-2340	24, 55, 73	116,712	LM	7700		
EM251254S-2340	24, 55, 73	115,072	LM	8200		
EM2513T	13, 53	1,742	L1	217		
EM2513T-5	172, 18	1,742	L1	234		
EM2513T-8	16, 161	1,785	L1	234		EM2333T-8
EM2514T	13, 53	2,023	L1	206		
EM2514T-8	16, 161	2,074	L1	186		
EM251502S-2340	24, 55, 73	120,533	LM	7700		
EM251504S-2340	24, 55, 73	123,576	LM	9500		
EM2515T	13, 53	2,187	L1	237		M2515T
EM2515T-5	172, 18	2,187	L1	237		M2515T-5
EM2515T-8	16, 161	2,241	L1	237		M2515T-8
EM2516T	13, 53	2,429	L1	242		M2516T
EM2516T-8	16, 161	2,490	L1	242		
EM2524T	13, 53	2,569	L1	375	4042M	
EM2528T	13, 53	3,127	L1	372	4054M	
EM2531T	13, 53	2,666	L1	330		M2531T
EM2531T-5	172, 18	2,666	L1	330		M2531T-5
EM2531T-8	16, 161	2,732	L1	313		M2531T-8
EM2532T	13, 53	3,777	L1	478	4076M	M2532T
EM2534T	13, 53	2,866	L1	323		M2534T
EM2535T	13, 53	2,915	L1	372		M2535T
EM2535T-5	172, 18	2,915	L1	356		M2535T-5
EM2535T-8	16, 161	2,988	L1	353		M2535T-8
EM2536T	13, 53	3,940	L1	474	4084M	
EM2538T	13, 53	3,693	L1	378		M2538T
EM2538T-8	16, 161	3,785	L1	377		M2538T-8
EM2539T	13, 53	3,803	L1	441		M2539T
EM2539T-5	172, 18	3,803	L1	482		M2539T-5
EM2539T-8	16, 161	3,898	L1	488		M2539T-8
EM2540T	13, 53	5,613	L1	827		M2540T
EM2542T	13, 53	4,022	L1	447	4066M	M2542T
EM2543T	13, 53	4,197	L1	472	4264M	M2543T
EM2543T-5	172, 18	4,197	L1	445		M2543T-5
EM2543T-8	16, 161	4,301	L1	521		M2543T-8
EM2544T	13, 53	6,795	L1	857		M2544T
EM2546T	14, 54	5,089	L1	463		M2546T
EM2547T	14, 54	5,284	L1	698		M2547T
EM2547T-5	172, 18	5,284	L1	726		M2547T-5
EM2547T-8	16, 161	5,416	L1	615		M2547T-8
EM2548T-4	14, 54	8,627	L1	1127		
EM2549T	14, 54	6,676	L1	737		M2549T

Catalog Number	Page Number	List Price	Mult Sym	Ship Wgt <sup>(1)</sup>	Type	Alternate Cat Number <sup>(2)</sup>
EM2550T	14, 54	7,136	L1	810		M2550T
EM2551T	14, 54	6,486	L1	808	4468M	M2551T
EM2551T-8	16, 161	6,647	L1	808		EM4316T-8
EM2552T-4	14, 54	9,605	L1	1166		
EM2554T-4	14, 54	8,956	L1	1074	4482M	
EM25552-58	178	9,393	L1	1100	1660M	
EM25554-58	178	9,374	L1	1185	1676M	
EM2555T-4	14, 54	7,546	L1	898		
EM2555T-8	16, 161	7,734	L1	1114		
EM2556T-4	14, 54	11,048	L1	831	4492M	
EM2557T-4	14, 54	11,417	L1	1535		M2557T-4
EM2558T-4	14, 54	10,283	L1	1405		M2558T-4
EM2559T-4	14, 54	9,257	L1	1238		M2559T-4
EM2560T-4	14, 54	13,446	L1	1620		M2560T-4
EM2562T-4	14, 54	12,520	L1	1326		M2562T-4
EM2563T-4	14, 54	12,850	L1	1496		EM2563T-4
EM2564T-4	14, 54	17,675	L1	1909		M2564T-4
EM2566T-4	14, 54	14,410	L1	1592		M3566T-4
EM2569T-4	14, 54	18,886	L1	1702		M2569T-4
EM25754-58	178	11,806	L1	569	1688M	
EM2583T-4	14, 54	10,572	L1	1349		M2583T
EM25902S-2340	24, 55, 73	94,305	LM	6700		
EM28752-58	178	11,897	L1	1264	1852M	
EM28902-58	178	16,153	L1	1421		
EM28904-58	178	15,891	L1	1455	1872M	
EM31112-58	178	19,162	L1	1592	1880M	
EM31114-58	178	18,598	L1	1859	18112M	
EM31132-58	178	21,011	L1	1662	1896M	
EM31134-58	178	20,716	L1	1859	18112M	
EM3115	13, 51	461	K	32		M3115
EM31162-58	178	28,228	L1	1025		
EM31164-58	178	27,613	L1	1000		
EM3116T	13, 51	522	L1	36		M3116T
EM3116T-5	172, 18	522	L1	33		
EM3116T-8	16, 161	535	L1	36		M3116T-8
EM31202-58	178	42,147	L1	1190		
EM31204-58	178	27,341	L1	1160		
EM3120T	13, 51	514	L1	36		M3120T
EM3154T	13, 51	546	L1	40		M3154T
EM3154T-5	172, 18	546	L1	40		
EM3154T-8	16, 161	559	L1	42		M3154T-8
EM3155T	13, 52	604	L1	37	3524M	EM3158T
EM3156T	13, 51	612	L1	39		M3156T
EM3157T	13, 52	585	L1	46	3533M	
EM3157T-5	172, 18	585	L1	46		
EM3157T-8	16, 161	600	L1	47		M3157T-8
EM3158T	13, 52	612	L1	52		
EM3207T	13, 51	716	L1	71		M3207T
EM3211T	13, 52	631	L1	69	3634M	EM3661T
EM3211T-5	172, 18	631	L1	66		EM3661T-5
EM3211T-8	16, 161	647	L1	68		EM3661T-8
EM3212T	13, 52	668	L1	76	3634M	M3212T

<sup>(1)</sup> Shipping weight is approximate.

<sup>(2)</sup> Baldor has suggested alternate products, however there may be slight differences in performance, efficiency, voltage range, dimensions and mounting. Customers should verify suitability of selected products for their specific application.

Gearmotors and Gear Products

Motor Accessories

Grinders

Generators

Servo Motors and Controls

Mod Express

Baldor Education Workshops

Warranties and Sales Policies

Cross Reference and Index

Baldor Sales Offices

Catalog Number	Page Number	List Price	Mult Sym	Ship Wgt <sup>(1)</sup>	Type	Alternate Cat Number <sup>(2)</sup>
EM3215T	13, 52	732	L1	85		
EM3218T	13, 52	691	L1	85	3639M	
EM3218T-5	172, 18	691	L1	74		
EM3218T-8	16, 161	708	L1	72		
EM3219T	13, 52	1,060	L1	85		M3219T
EM3305T	13, 52	932	L1	114		M3305T
EM3309T	13, 52	1,221	L1	126	3741M	M3309T
EM3311T	13, 52	1,016	L1	117	3733M	EM3770T
EM3311T-5	172, 18	1,016	L1	114		EM3770T-5
EM3311T-8	16, 161	1,041	L1	116	3733M	M3311T-8
EM3312T	13, 52	1,212	L1	130		M3312T
EM3313T	13, 52	1,230	L1	128		EM3774T
EM3313T-5	172, 18	1,230	L1	145		EM3774T-5
EM3313T-8	16, 161	1,260	L1	148	3739M	EM3774T-8
EM3314T	13, 53	1,722	L1	147		M3314T
EM3538	38, 8	485	K	10	3516M	
EM3545	39, 8	539	K	33		EM3550
EM3546	39, 8	542	K	36		EM3554
EM3546T	39, 8	594	LS	37		EM3581T
EM3546T-5	163, 17	594	LS	38		ECP3581T-5
EM3546T-8	15, 160	612	L1	39	3524M	
EM3550	39, 8	571	K	41	3524M	M3550
EM3550T	39, 8	611	L1	41	3524M	EM3583T
EM3554	39, 8	602	K	42	3530M	M3554
EM3554T	39, 8	617	LS	42	3531M	EM3584T
EM3554T-5	163, 17	617	LS	42		ECP3584T-5
EM3554T-8	15, 160	636	L1	42	3529M	
EM3555	39, 8	628	K	48	3532M	
EM3555T	39, 8	669	L1	49		EM3586T
EM3556	39, 8	707	K	39		
EM3558	39, 8	638	K	46	3544M	
EM3558T	39, 8	640	LS	49		EM3587T
EM3558T-5	163, 17	640	LS	48		ECP3587T-5
EM3558T-8	15, 160	659	L1	49		
EM3581T	39, 8	769	L1	54	0524M	ECP3581T-4
EM3582T	39, 8	861	L1	56		
EM3583T	39, 8	812	L1	48		ECP3583T
EM3584T	39, 8	797	L1	57	0530M	ECP3584T
EM3586T	39, 8	854	L1	60		ECP3586T
EM3587T	39, 8	835	L1	60		ECP3587T
EM3610T	40, 8	742	L1	66	3624M	M3610T
EM3611T	40, 8	707	LS	69		M3611T
EM3611T-5	163, 17	707	LS	69		
EM3613T	40, 8	823	L1	77	3634M	M3613T
EM3615T	40, 8	774	LS	95		M3615T
EM3615T-5	163, 17	774	LS	91		
EM3660T	40, 8	922	L1	85	0623M	ECP3660T
EM3660T-8	15, 160	945	L1	89		
EM3661T	40, 8	948	L1	92		M3661T
EM3661T-5	163, 17	948	L1	90		M3661T-5
EM3661T-8	15, 160	972	L1	91		M3611T-8
EM3663T	40, 8	1,135	L1	99	0632M	M3663T

Catalog Number	Page Number	List Price	Mult Sym	Ship Wgt <sup>(1)</sup>	Type	Alternate Cat Number <sup>(2)</sup>
EM3663T-8	15, 160	1,163	L1	97		
EM3664T	40, 8	1,041	L1	109		ECP3664T
EM3665T	40, 8	949	L1	114		ECP3665T
EM3665T-5	163, 17	949	L1	109		ECP3665T-5
EM3665T-8	15, 160	973	L1	109		
EM3667T	39, 8	1,025	L1	96		ECP3667T
EM3704T	40, 8	1,135	L1	125	3739M	
EM3708T	40, 8	1,282	L1	138	3748M	M3708T
EM3709T	41, 9	1,233	L1	126	3733M	M3709T
EM3710T	41, 9	1,116	LS	136		M3710T
EM3710T-5	164, 17	1,116	LS	143		
EM3711T	41, 9	1,250	L1	154		M3711T
EM3714T	41, 9	1,260	LS	158		M3714T
EM3714T-5	164, 17	1,260	LS	153		
EM3764T	40, 8	1,297	L1	175	0737M	ECP3764T
EM3768T	40, 8	1,505	L1	193	0746M	ECP3768T
EM3769T	41, 9	1,314	L1	165		M3769T
EM3769T-8	15, 160	1,346	L1	173	0733M	EM3771T-8
EM3770T	41, 9	1,266	L1	170		ECP3770T
EM3770T-5	164, 17	1,266	L1	178		ECP3770T-5
EM3770T-8	15, 160	1,297	L1	170	0735M	
EM3771T	41, 9	1,540	L1	185		M3771T
EM3771T-8	15, 160	1,579	L1	203		
EM3774T	41, 9	1,420	L1	231	0748M	ECP3774T
EM3774T-5	164, 17	1,420	L1	201		ECP3774T-5
EM3774T-8	15, 160	1,456	L1	231	0748M	
EM4100T	41, 9	3,268	L1	421	1056M	ECP4100T
EM4102T	42, 9	4,351	L1	455	1062M	ECP4102T
EM4103T	42, 9	3,080	LS	398		ECP4103T
EM4103T-5	164, 17	3,080	LS	746		
EM4103T-8	15, 160	3,172	L1	407		M4103T-8
EM4104T	42, 9	3,654	LS	433		ECP4104T
EM4104T-5	17, 164	3,654	LS	451	1060M	ECP4104T-5
EM4104T-8	15, 160	3,764	L1	426		M4104T-8
EM4106T	42, 9	2,329	L1	258		
EM4106T-5	164, 17	2,329	L1	258	0944M	M4106T-5
EM4106T-8	15, 160	2,387	L1	285		
EM4107T	42, 9	3,039	L1	383		M4107T
EM4107T-5	164, 17	3,039	L1	398		M4107T-5
EM4107T-8	15, 160	3,114	L1	382		M4107T-8
EM4108T	42, 9	3,611	L1	382		M4108T
EM4108T-5	164, 17	3,611	L1	418		M4108T-5
EM4108T-8	15, 160	3,701	L1	407		
EM4109T	42, 9	4,950	L1	502	1240M	M4109T
EM4109T-5	164, 17	4,950	L1	549		M4109T-5
EM4110T	42, 9	4,778	LS	602		ECP4110T
EM4110T-5	164, 17	4,778	LS	600	1260M	
EM4110T-8	15, 160	4,923	L1	604		M4110T-8
EM4111T	42, 9	4,923	L1	522	1068M	ECP4111T
EM4114T	43, 9	5,415	L1	578		M4114T
EM4114T-5	165, 17	5,415	L1	578		M4114T-5
EM4115T	43, 9	5,222	LS	750	1278M	M4115T

(1) Shipping weight is approximate.

(2) Baldor has suggested alternate products, however there may be slight differences in performance, efficiency, voltage range, dimensions and mounting. Customers should verify suitability of selected products for their specific application.

Catalog Number	Page Number	List Price	Mult Sym	Ship Wgt <sup>(1)</sup>	Type	Alternate Cat Number <sup>(2)</sup>
EM4115T-5	165, 17	5,222	LS	560	1266M	
EM4115T-8	15, 160	5,380	L1	632		M4115T-8
EM4117T	42, 9	5,687	L1	606		M4117T
EM4308T	43, 9	7,087	L1	834		M4308T
EM4310T	43, 9	7,607	L1	816	1452M	M4310T
EM4312T	43, 9	8,564	L1	858		M4312T
EM4313T	43, 9	8,850	L1	878	1464M	M4313T
EM4314T	43, 9	7,514	LS	814		M4314T
EM4314T-5	165, 17	7,514	LS	808		
EM4316T	43, 9	8,786	LS	908		M4316T
EM4316T-5	165, 17	8,786	LS	889		
EM4400T	10, 43	10,911	LS	1239		
EM4400T-5	165, 17	10,911	LS	1239		
EM4403T	43, 9	10,395	L1	1045		M4403T
EM4404T	43, 9	12,105	L1	1160		M4404T
EM4406T-4	10, 44	15,538	LS	1672	1888M	
EM4406T-5	165, 17	17,196	LS	1672	1888M	
EM4407TR-4	10, 44	19,528	L1	1875		
EM4410T-4	10, 44	13,508	LS	1449	1868M	
EM4410T-5	165, 17	13,508	LS	1466	1876M	
EM7014T	25, 88	1,066	L1	49		
EM7034T	25, 88	1,104	L1	56		
EM7037T	25, 88	1,204	L1	61		
EM7054T	25, 89	3,159	L1	370		
EM7054T-C	25, 89	3,236	L1	370		
EM7056T	25, 89	4,093	L1	393		
EM7056T-C	25, 89	4,179	L1	393		
EM7058T	25, 89	4,966	L1	542		
EM7058T-C	25, 89	5,063	L1	564		
EM7060T	25, 89	6,054	L1	567		
EM7060T-C	25, 89	6,154	L1	589		
EM7062T	25, 89	8,114	L1	767		
EM7062T-C	25, 89	8,224	L1	834		
EM7064T	25, 89	9,438	L1	783		
EM7064T-C	25, 89	9,549	L1	851		
EM7066T	25, 89	10,557	L1	965	1462M	
EM7066T-C	25, 89	10,674	L1	989		
EM7114T-C	25, 88	1,216	L1	127	0524M	
EM7134T-C	25, 88	1,244	L1	85	0530M	
EM7137T-C	25, 88	1,279	L1	85		
EM7142T-C	25, 88	1,383	L1	136		
EM7144T-C	25, 88	1,667	L1	152		
EM7147T-C	25, 88	2,086	L1	225		
EM7170T-C	25, 88	2,899	L1	252		
ENC00NV	283	1,792	E8	2		
ENC00NV-A2	210	1,337	E8	1		
ENC00NV-B1	210	1,337	E8	2		
ENC00NV-D1	210	1,504	E8	4		
ENC01BC-B1	210	1,337	E8	3		
ENC01BC-D1	210	1,504	E8	4		
ENC01NV-A2	210	1,337	E8	1		
ENC01NV-B2	210	1,337	E8	4		

Catalog Number	Page Number	List Price	Mult Sym	Ship Wgt <sup>(1)</sup>	Type	Alternate Cat Number <sup>(2)</sup>
ENC01NV-D1	210	1,504	E8	4		
ENC02BC-A2	210	1,337	E8	1		
ENC02BC-B2	210	1,337	E8	2		
ENC02BC-D1	210	1,504	E8	4		
ENCP3580T-4	58	836	SD	56	0520M	
ENCP3581T-4	58	915	SD	60		
ENCP83580T-4	66	836	SD	38	0520M	
ENCP83581T-4	66	915	SD	62	0524M	
EWDM3546T	27, 77	780	WD	42		
EWDM3554T	27, 77	857	WD	47		
EWDM3558T	27, 77	1,006	WD	45	3532M	
EWDM3611T	27, 77	1,257	WD	68	3628M	
EWDM3615T	27, 77	1,431	WD	89		
EWDM3710T	27, 77	1,791	WD	141		
EWDM3714T	27, 77	1,951	WD	158		
EXB003A04	253	281	E8	1		
EXB003A05	253	281	E8	1		
EXB004A01	253	517	E8	1		
EXB005A01	253	440	E8	1		
EXB006A01	253	541	E8	1		
EXB007A02	254	715	E8	2		
EXB008A01	254	755	E8	1		
EXB010A01	254	440	E8	2		
EXB012A01	254	281	E8	1		
EXB013A01	254	739	E8	1		
EXB014A01	254	890	E8	1		
EXB015A01	254	1,064	E8	1		
EXBHH001A01	242	163	EC	1		
EXBHH003A01	242	211	EC	1		
EXBHH005A01	242	330	EC	1		
EXBHH007A01	242	539	EC	2		
EXBHH013A02	242	558	EC	1		
EXBHH014A01	242	670	EC	3		
EXBHH015A01	242	575	EC	1		
EXBHH016A01	242	548	EC	1		
EXBHH017A01	242	575	EC	1		
F1DC2000	293	52	VS3DC	1		
F2DC2000	293	108	VS3DC	1		
FBRK115230	154	108	A8	1		
FBRK230460	154	119	A8	1		
FCD34	390	78	A8	1		
FCD35	390	109	A8	1		
FCD36	390	95	A8	2		
FCD37	390	115	A8	3		
FCD39	390	154	A8	3		
FCD40	390	165	A8	12		
FCD42	390	177	A8	5		
FDL3501M	133	351	K	23		L3501M
FDL3504M	133	412	K	28		L3504M
FDL3507M	133	486	K	38		
FDL3510M	133	552	K	40		L3510M
FDL3510TM	133	552	L1	38		L3510TM

<sup>(1)</sup> Shipping weight is approximate.

<sup>(2)</sup> Baldor has suggested alternate products, however there may be slight differences in performance, efficiency, voltage range, dimensions and mounting. Customers should verify suitability of selected products for their specific application.

Gearmotors and Gear Products

Motor Accessories

Grinders

Generators

Servo Motors and Controls

Mod Express

Baldor Education Workshops

Warranties and Sales Policies

Cross Reference and Index

Baldor District Offices



Gearmotors and Gear Products

Catalog Number	Page Number	List Price	Mult Sym	Ship Wgt <sup>(1)</sup>	Type	Alternate Cat Number <sup>(2)</sup>
FDL3514M	133	622	K	48		L3514M
FDL3514TM	133	622	L1	48		L3514TM
FDL3516TM	133	885	K	51		L3516TM
FDL3610M	133	1,215	L1	89		
FDL3610TM	133	1,185	L1	93		FDL3619TM
FDL3611M	133	1,021	L1	75		L3605M
FDL3611TM	133	994	L1	75		L3605TM
FDL3612TM	133	1,245	L1	99		
FDL3619TM	133	951	L1	81		FDL3610TM
FDL3712TM	133	1,784	L1	160		
FDL3731M	133	1,529	L1	125	3730LC	FDL3732M
FDL3732M	133	1,764	L1	142		
FDL3733TM	133	1,622	L1	139		DEL3733TM
FDL3737TM	133	1,901	L1	162	3750LC	DEL3737TM
FFC05	390	154	A8	6		
FFC06	390	165	A8	10		
FFC07WB	390	245	A8	19		
FFC09WB	390	337	A8	28		
FL13HK	385	91	A8	6		
FL15HK	385	98	A8	6		
FL18HK	385	102	A8	6		
FL21HK	385	114	A8	3		
FL24HK	385	163	A8	4		
FL26HK	385	175	A8	6		
FL30HK	385	182	A8	6		
FL32HK	385	189	A8	12		
FL38HK	385	195	A8	12		
FLT3210-250	282	593	A8	2		
FLT4280	282	593	A8	9		
FLT6320-400	282	593	A8	9		
FLT8500	282	754	A8	9		
FM2513T	147	1,316	L1	170		EFM2513T
FM2513T-8	162	1,348	L1	162	3742M	EFM2513T-8
FM2515T	147	1,694	L1	220		EFM2515T
FM2515T-8	162	1,736	L1	191	3766M	EFM2515T-8
FM2531T	147	2,053	L1	226		EFM2531T
FM2535T	147	2,401	L1	248		EFM2535T
FM2539T	147	3,061	L1	378		EFM2539T
FM2539T-8	162	3,137	L1	329		
FM2543T	147	3,593	L1	371		EFM2543T
FM3112-8	162	327	K	25		
FM3211T	147	453	L1	63	3535M	EFM3211T
FM3218T	147	501	L1	65		EFM3218T
FM3311T	147	710	L1	98		EFM3311T
FM3311T-8	162	728	L1	97	3643M	EFM3311T-8
FM3313T	147	871	L1	107	3733M	EFM3313T
FM3313T-8	162	892	L1	107	3733M	EFM3313T-8
FM3558T	147	433	L1	42	3524M	
FM3611T	147	512	L1	67		
FM3615T	147	589	L1	74		
FM3710T	147	752	L1	110	3731M	
FM3714T	147	914	L1	126	3740M	

Motor Accessories

Grinders

Generators

Servo Motors and Controls

Mod Express

Baldor Education Workshops

Warranties and Sales Policies

Cross Reference and Index

Baldor Sales Offices

Catalog Number	Page Number	List Price	Mult Sym	Ship Wgt <sup>(1)</sup>	Type	Alternate Cat Number <sup>(2)</sup>
FRBK115230	154	108	A8	1		
FRBK230460	154	119	A8	1		
FVB3180	279, 280, 282	1,239	A8	18		
FVB3210	279, 280, 282	1,239	A8	22		
FVB3250	279, 280, 282	1,239	A8	19		
FVB4280	279, 282	1,513	A8	38		
FVB6320	279, 282	1,766	A8	46		
FVB6400	279, 282	1,933	A8	59		
FVB8500	279, 282	2,286	A8	79		
FVB95010	282	3,941	A8	171		
GA10	404	48	A8	1		
GA11	404	53	A8	2		
GA13	404	41	A8	2		
GA14	404	292	A8	64		
GA14R	403	292	A8	64		
GA16	404	387	A8	62		
GA16E	404	252	A8	36		
GA16R	403	387	A8	62		
GA16RE	403	252	A8	36		
GA20	404	637	A8	125		
GA20E	404	292	A8	54		
GA20RE	403	292	A8	54		
GA24	404	42	A8	1		
GA25	404	42	A8	9		
GA3	404	65	A8	7		
GA4	404	66	A8	6		
GA7	401	80	A8	1		
GA8	401	133	A8	1		
GA9	404	163	A8	5		
GA9-1	404	89	A8	3		
GA9R	403	163	A8	5		
GA9S	404	181	A8	6		
GA9SR	403	181	A8	5		
GC24003	333	338	DS	7		
GC24208	335	449	DS	10		GC24312
GC24302	334	419	DS	10		GC24316
GC24306	334	419	DS	10		GC24318
GC24307	338	448	DS	11		
GC24308	338	448	DS	11		GC25004
GC24309	338	448	DS	11		GC25007
GC24310	334	419	DS	10		GC24320
GC24311	338	448	DS	11	2416C	GC25008
GC24312	336	575	DS	10		
GC24314	336	575	DS	10		
GC24316	339	449	DS	13		
GC24318	339	449	DS	13		GC25010
GC24320	339	449	DS	13		GC25015
GC24322	339	449	DS	10		GC25020
GC25004	338	529	DS	16	2520C	GC25009
GC25005	340	535	DS	16		GC25008
GC25006	338	529	DS	16	2520C	GC25011
GC25007	338	529	DS	16	2520C	GC25012

(1) Shipping weight is approximate.

(2) Baldor has suggested alternate products, however there may be slight differences in performance, efficiency, voltage range, dimensions and mounting. Customers should verify suitability of selected products for their specific application.

Catalog Number	Page Number	List Price	Mult Sym	Ship Wgt <sup>(1)</sup>	Type	Alternate Cat Number <sup>(2)</sup>
GC25008	338	529	DS	16	2520C	GC25014
GC25009	338	529	DS	15	2524S	GC3320
GC25010	340	535	DS	16		GC24309
GC25011	338	529	DS	15	2524S	
GC25012	338	529	DS	15		GC3321
GC25014	338	529	DS	15	2524S	GC3322
GC25015	340	535	DS	16		GC25011
GC25020	340	535	DS	16		GC25009
GC25060	337	734	DS	15	2520C	
GC25080	337	734	DS	15	2520C	
GC25120	337	734	DS	15	2520C	
GC25190	337	734	DS	15	2520C	
GC25280	337	734	DS	15	2520C	
GC3320	338	584	DS	15		GC3326
GC3321	338	584	DS	15	2524C	GC3327
GC3322	338	584	DS	15	2524C	GC3328
GC3324	338	584	DS	15	2524C	GC3329
GC3325	340	584	DS	26		
GC3326	338	584	DS	21		GC3320
GC3327	338	584	DS	21		GC3321
GC3328	338	584	DS	21	2528L	GC3322
GC3329	338	584	DS	21		GC3324
GC3330	340	584	DS	26		
GCF2X01AA	382	416	GB	19		
GCF2X02BB	382	502	GB	22		
GCF3X01AA	382	416	GB	19		
GCF3X02BB	382	502	GB	22		
GCF4X01AA	382	416	GB	19		
GCF4X02BB	382	502	GB	22		
GCF5X01AA	382	416	GB	19		
GCF5X02AB	382	502	GB	22		
GCF5X02BB	382	502	GB	22		
GCP24002	354	692	DS	15		
GCP24004	354	692	DS	15		
GCP24020	354	747	DS	15		
GCP24022	354	669	DS	15		
GCP24114	352	464	DS	10		GCP24004
GCP24122	352	468	DS	10		GCP24002
GCP24124	352	468	DS	10		GCP24234
GCP24134	352	449	DS	10		GCP25054
GCP24136	352	449	DS	10		GCP25056
GCP24138	352	449	DS	10		GCP25058
GCP24140	352	449	DS	10		GCP25060
GCP24142	352	449	DS	10		GCP25062
GCP24232	353	539	DS	14		GCP24022
GCP24234	353	510	DS	14		GCP25002
GCP25002	354	726	DS	18		
GCP25004	354	726	DS	18		GCP3305
GCP25006	354	700	DS	18		GCP3310
GCP25008	354	700	DS	18		GCP3315
GCP25010	354	700	DS	18		GLP3338
GCP25052	353	514	DS	14		

Catalog Number	Page Number	List Price	Mult Sym	Ship Wgt <sup>(1)</sup>	Type	Alternate Cat Number <sup>(2)</sup>
GCP25054	353	514	DS	14		GCP25004
GCP25056	353	489	DS	14		GCP25006
GCP25058	353	489	DS	14		
GCP25060	353	489	DS	14		GCP25008
GCP25062	353	489	DS	14		GCP25010
GCP3305	354	734	DS	24		GLP3330
GCP3310	354	707	DS	24		GLP3328
GCP3315	354	707	DS	24		GLP3336
GDL1605T	134	1,367	L1	98		
GDL1607T	134	1,797	L1	161		
GDL1610T	134	2,080	L1	164		
GDL1615T	134	3,095	L1	288	3956LC	
GDM2333T	134	2,381	L1	231		
GDM2334T	134	2,549	L1	322	0760M	
GDM2513T	134	1,600	L1	172		
GDM2515T	134	2,107	L1	165		
GDM2531T	134	2,588	L1	329		
GDM2535T	134	3,011	L1	351		
GDM3218T	134	755	L1	69		
GDM3311T	134	1,072	L1	92		
GDM3313T	134	1,300	L1	129	3733M	
GDM3611T	134	757	L1	59		
GDM3615T	134	876	L1	77	3634M	
GDM3710T	134	1,116	L1	115	3731M	
GDM3714T	134	1,801	L1	139	3740M	
GDM4103T	134	3,628	L1	322		
GDM4104T	134	4,284	L1	322		
GDM4110T	134	5,689	L1	485		
GDM4115T	134	5,893	L1	552		
GF0513AG	360	457	GB	20		GF0515AG
GF0513AGA10	376	938	GB	58		
GF0513AGA25	372	738	GB	40		
GF0513AGA33	373	771	GB	42		
GF0513AGA50	374	822	GB	47		
GF0513AGA75	375	877	GB	54		
GF0513AGB10	376	838	GB	50		
GF0513AGB25	372	735	GB	39		
GF0513AGB33	373	757	GB	42		
GF0513AGB50	374	801	GB	43		
GF0513AGB75	375	822	GB	45		
GF0513AGC10	376	1,476	GB	64		
GF0513AGC25	372	1,041	GB	44		
GF0513AGC33	373	1,074	GB	47		
GF0513AGC50	374	1,147	GB	52		
GF0513AGC75	375	1,295	GB	59		
GF0513AGD10	376	1,476	GB	64		
GF0513AGD25	372	1,041	GB	44		
GF0513AGD33	373	1,074	GB	47		
GF0513AGD50	374	1,147	GB	51		
GF0513AGD75	375	1,295	GB	59		
GF0513AJ	360	457	GB	20		GF0513AG
GF0515AG	360	489	GB	25		GF0518AG

<sup>(1)</sup> Shipping weight is approximate.

<sup>(2)</sup> Baldor has suggested alternate products, however there may be slight differences in performance, efficiency, voltage range, dimensions and mounting. Customers should verify suitability of selected products for their specific application.

Gearmotors and Gear Products

Motor Accessories

Grinders

Generators

Servo Motors and Controls

Mod Express

Baldor Education Workshops

Warranties and Sales Policies

Cross Reference and Index

Baldor District Offices

Gearmotors and Gear Products

Catalog Number	Page Number	List Price	Mult Sym	Ship Wgt <sup>(1)</sup>	Type	Alternate Cat Number <sup>(2)</sup>
GF0515AH	360	518	GB	25		
GF0515BG	360	489	GB	25		GF0518BG
GF0518AG	360	501	GB	30		
GF0518AGA15	377	1,045	GB	77		
GF0518AGB15	377	929	GB	64		
GF0518BG	360	501	GB	30		
GF0518BGD15	377	2,380	GB	97		
GF0521BG	360	627	GB	35		GF05G21BG
GF0521BGA20	378	1,513	GB	84		
GF0521BGB20	378	1,087	GB	77		
GF0521BGD20	378	2,868	GB	109		
GF0521BJ	360	627	GB	35		GF0521BG
GF0524CG	360	740	GB	40		
GF0526CG	360	858	GB	55		GF0530CG
GF0530CG	360	1,167	GB	68		
GF0538DH	360	1,633	GB	126		
GF1013AG	360	457	GB	20		GF1015AG
GF1013AGA25	372	738	GB	40		
GF1013AGA33	373	771	GB	42		
GF1013AGA50	374	822	GB	47		
GF1013AGA75	375	877	GB	54		
GF1013AGB25	372	735	GB	39		
GF1013AGB33	373	757	GB	42		
GF1013AGB50	374	801	GB	43		
GF1013AGB75	375	822	GB	45		
GF1013AGC25	372	1,041	GB	44		
GF1013AGC33	373	1,074	GB	47		
GF1013AGC50	374	1,147	GB	52		
GF1013AGC75	375	1,295	GB	59		
GF1013AGD25	372	1,041	GB	44		
GF1013AGD33	373	1,074	GB	47		
GF1013AGD50	374	1,179	GB	56		
GF1013AGD75	375	1,295	GB	59		
GF1013AGH	360	484	GB	20		GF1015AH
GF1013AJ	360	457	GB	20		GF1013AG
GF1015AG	360	489	GB	20		GF1018AG
GF1015AH	360	518	GB	25		GF1018AH
GF1015BG	360	489	GB	20		GF1018BG
GF1018AG	360	501	GB	30		GF1021AG
GF1018AGA10	376	982	GB	68		
GF1018AGA15	377	1,045	GB	77		
GF1018AGB10	376	882	GB	60		
GF1018AGB15	377	929	GB	64		
GF1018AGC10	376	1,519	GB	74		
GF1018AGD10	376	1,519	GB	74		
GF1018AH	360	530	GB	29		GF1021AH
GF1018AJ	360	501	GB	30		GF1021AJ
GF1018BG	360	501	GB	30		GF1021BG
GF1018BGD15	377	2,379	GB	97		
GF1021AG	360	627	GB	35		GF10G21AG
GF1021AH	361	661	GB	35		
GF1021AJ	360	627	GB	35		GF1021AH

(1) Shipping weight is approximate.

(2) Baldor has suggested alternate products, however there may be slight differences in performance, efficiency, voltage range, dimensions and mounting. Customers should verify suitability of selected products for their specific application.

Motor Accessories

Grinders

Generators

Servo Motors and Controls

Mod Express

Baldor Education Workshops

Warranties and Sales Policies

Cross Reference and Index

Baldor Sales Offices

Catalog Number	Page Number	List Price	Mult Sym	Ship Wgt <sup>(1)</sup>	Type	Alternate Cat Number <sup>(2)</sup>
GF1021BG	361	627	GB	35		GF1024BG
GF1024BG	361	740	GB	40		GF1026BG
GF1024BGA20	378	1,626	GB	89		
GF1024BGB20	378	1,200	GB	82		
GF1024BGD20	378	2,981	GB	114		
GF1026BG	361	858	GB	55		
GF1026CG	361	858	GB	55		GF1030CG
GF1030CG	361	1,167	GB	68		
GF1032CG	361	1,265	GB	87		
GF1038DG	361	1,545	GB	126		
GF10G21AG	360	627	GB	30		
GF1513AG	361	457	GB	20		GF1515AG
GF1513AGA25	372	738	GB	40		
GF1513AGA33	373	771	GB	42		
GF1513AGB25	372	735	GB	39		
GF1513AGB33	373	757	GB	42		
GF1513AGC25	372	1,041	GB	44		
GF1513AGC33	373	1,074	GB	47		
GF1513AGD25	372	1,041	GB	44		
GF1513AGD33	373	1,074	GB	47		
GF1513AH	361	484	GB	20		GF1515AH
GF1513AJ	361	457	GB	20		GF1513AH
GF1515AG	361	489	GB	25		GF1518AG
GF1515AGA50	374	854	GB	52		
GF1515AGB50	374	833	GB	48		
GF1515AGC50	374	1,179	GB	57		
GF1515AGD50	374	1,179	GB	56		
GF1515AH	361	518	GB	25		GF1518AH
GF1518AG	361	501	GB	30		GF1521AG
GF1518AGA75	375	921	GB	64		
GF1518AGB75	375	866	GB	55		
GF1518AGC75	375	1,338	GB	69		
GF1518AGD75	375	1,338	GB	69		
GF1518AH	361	530	GB	30		GF1521AH
GF1518AJ	361	501	GB	30		GF1518AH
GF1521AG	361	627	GB	35		GF1524AG
GF1521AGA10	376	1,108	GB	73		
GF1521AGB10	376	1,008	GB	65		
GF1521AGC10	376	1,646	GB	79		
GF1521AGD10	376	1,646	GB	79		
GF1521AH	361	661	GB	35		
GF1521AJ	361	627	GB	35		GF1524AJ
GF1521BG	361	627	GB	35		GF1524BG
GF1524AG	361	740	GB	40		
GF1524AGA15	377	1,284	GB	87		
GF1524AGB15	377	1,168	GB	74		
GF1524AJ	361	740	GB	40		
GF1524BG	361	740	GB	40		GF1526BG
GF1524BGD15	377	2,619	GB	107		
GF1526BG	361	858	GB	55		GF1532BG
GF1526BGA20	378	1,744	GB	104		
GF1526BGB20	378	1,318	GB	97		

Catalog Number	Page Number	List Price	Mult Sym	Ship Wgt <sup>(1)</sup>	Type	Alternate Cat Number <sup>(2)</sup>
GF1526BGD20	378	3,100	GB	129		
GF1530CG	361	1,167	GB	68		GF1532CG
GF1532BG	361	1,265	GB	87		
GF1532CG	361	1,265	GB	87		GF1538CG
GF1538CG	361	1,545	GB	126		
GF2013AG	361	457	GB	20		GF2015AG
GF2013AGA25	372	738	GB	40		
GF2013AGA33	373	771	GB	42		
GF2013AGB25	372	735	GB	39		
GF2013AGB33	373	757	GB	42		
GF2013AGC25	372	1,041	GB	44		
GF2013AGC33	373	1,074	GB	47		
GF2013AGD25	372	1,041	GB	44		
GF2013AGD33	373	1,074	GB	47		
GF2013AH	361	484	GB	20		GF2015AH
GF2015AG	361	489	GB	25		GF2018AG
GF2015AH	361	518	GB	25		GF2018AH
GF2018AG	361	501	GB	30		GF2021AG
GF2018AGA50	374	866	GB	57		
GF2018AGA75	375	921	GB	64		
GF2018AGB50	374	845	GB	53		
GF2018AGB75	375	866	GB	55		
GF2018AGC50	374	1,190	GB	62		
GF2018AGC75	375	1,338	GB	69		
GF2018AGD50	374	1,190	GB	61		
GF2018AGD75	375	1,338	GB	69		
GF2018AH	361	530	GB	30		GF2021AH
GF2018AJ	361	501	GB	30		GF2021AJ
GF2021AG	361	627	GB	35		GF20G21AG
GF2021AH	362	661	GB	35		
GF2021AJ	361	627	GB	35		
GF2021BG	362	627	GB	35		GF20G21BG
GF2024AG	362	740	GB	40		GF2026AG
GF2024AGA10	376	1,221	GB	78		
GF2024AGA15	377	1,284	GB	87		
GF2024AGB10	376	1,121	GB	70		
GF2024AGB15	377	1,168	GB	74		
GF2024AGC10	376	1,759	GB	84		
GF2024AGD10	376	1,759	GB	84		
GF2024BG	362	740	GB	40		GF2026BG
GF2024BGD15	377	2,619	GB	107		
GF2026AG	362	858	GB	55		
GF2026BG	362	858	GB	55		GF2030BG
GF2026BGA20	378	1,744	GB	104		
GF2026BGB20	378	1,318	GB	97		
GF2026BGD20	378	3,100	GB	129		
GF2030BG	362	1,167	GB	68		GF2032BG
GF2030CG	362	1,167	GB	68		GF2032CG
GF2030CJ	362	1,167	GB	68		
GF2032BG	362	1,265	GB	87		
GF2032CG	362	1,265	GB	87		GF2038CG
GF2038CG	362	1,545	GB	126		

Catalog Number	Page Number	List Price	Mult Sym	Ship Wgt <sup>(1)</sup>	Type	Alternate Cat Number <sup>(2)</sup>
GF20G21AG	361	627	GB	35		
GF20G21BG	362	627	GB	30		
GF2513AG	362	457	GB	20		GF2515AG
GF2513AGA25	372	738	GB	40		
GF2513AGA33	373	771	GB	42		
GF2513AGB25	372	735	GB	39		
GF2513AGB33	373	757	GB	42		
GF2513AGC25	372	1,041	GB	44		
GF2513AGC33	373	1,074	GB	47		
GF2513AGD25	372	1,041	GB	44		
GF2513AGD33	373	1,074	GB	47		
GF2515AG	362	489	GB	25		GF2518AG
GF2515AH	362	518	GB	25		
GF2518AG	362	501	GB	28		GF2521AG
GF2518AGA50	374	866	GB	57		
GF2518AGB50	374	845	GB	53		
GF2518AGC50	374	1,190	GB	62		
GF2518AGD50	374	1,190	GB	61		
GF2518AJ	362	501	GB	30		GF2521AJ
GF2521AG	362	627	GB	35		GF25G21AG
GF2521AGA75	375	1,047	GB	69		
GF2521AGB75	375	992	GB	60		
GF2521AGC75	375	1,465	GB	74		
GF2521AGD75	375	1,465	GB	74		
GF2521AJ	362	627	GB	35		
GF2524AG	362	740	GB	36		
GF2524AGA10	376	1,221	GB	78		
GF2524AGB10	376	1,121	GB	70		
GF2524AGC10	376	1,759	GB	84		
GF2524AGD10	376	1,759	GB	84		
GF2524BG	362	740	GB	40		GF2526BG
GF2526BG	362	858	GB	55		
GF2526BGA15	377	1,408	GB	102		
GF2526BGB15	377	1,296	GB	89		
GF2526BGD15	377	2,737	GB	122		
GF2530AG	362	1,167	GB	68		
GF2530BG	362	1,167	GB	68		GF2532BG
GF2530BGA20	378	2,053	GB	117		
GF2530BGB20	378	1,627	GB	110		
GF2530BGD20	378	3,408	GB	142		
GF2532BG	362	1,265	GB	87		
GF2538CH	362	1,633	GB	126		
GF25G21AG	362	627	GB	40		
GF3013AG	362	457	GB	20		GF3015AG
GF3013AGA25	372	738	GB	40		
GF3013AGB25	372	735	GB	39		
GF3013AGC25	372	1,041	GB	44		
GF3013AGD25	372	1,041	GB	44		
GF3013AH	362	484	GB	20		GF3015AH
GF3015AG	362	489	GB	25		GF3018AG
GF3015AGA33	373	803	GB	47		
GF3015AGB33	373	789	GB	47		

<sup>(1)</sup> Shipping weight is approximate.

<sup>(2)</sup> Baldor has suggested alternate products, however there may be slight differences in performance, efficiency, voltage range, dimensions and mounting. Customers should verify suitability of selected products for their specific application.

Gearmotors and Gear Products

Motor Accessories

Grinders

Generators

Servo Motors and Controls

Mod Express

Baldor Education Workshops

Warranties and Sales Policies

Cross Reference and Index

Baldor Sales Offices

Catalog Number	Page Number	List Price	Mult Sym	Ship Wgt <sup>(1)</sup>	Type	Alternate Cat Number <sup>(2)</sup>
GF3015AGC33	373	1,106	GB	52		
GF3015AGD33	373	1,106	GB	52		
GF3015AH	362	518	GB	25		GF3018AH
GF3018AG	362	501	GB	30		GF3021AG
GF3018AGA50	374	866	GB	57		
GF3018AGB50	374	845	GB	53		
GF3018AGC50	374	1,190	GB	62		
GF3018AGD50	374	1,190	GB	61		
GF3018AH	362	530	GB	30		GF3021AH
GF3018AJ	362	501	GB	30		GF3021AJ
GF3021AG	362	627	GB	35		GF30G21AG
GF3021AGA75	375	1,047	GB	69		
GF3021AGB75	375	992	GB	60		
GF3021AGC75	375	1,465	GB	74		
GF3021AGD75	375	1,465	GB	74		
GF3021AH	362	661	GB	35		
GF3021AJ	362	627	GB	35		GF3024AJ
GF3024AG	362	740	GB	40		GF3026AG
GF3024AGA10	376	1,221	GB	78		
GF3024AGB10	376	1,121	GB	70		
GF3024AGC10	376	1,759	GB	84		
GF3024AGD10	376	1,759	GB	84		
GF3024AH	363	782	GB	40		
GF3024AJ	363	740	GB	40		GF4026AJ
GF4026AG	363	858	GB	55		GF4030AG
GF4026AJ	363	858	GB	55		
GF4026BG	363	858	GB	55		GF4030BG
GF4030AG	363	1,167	GB	68		
GF4030AGA15	377	1,681	GB	102		
GF4030AGB15	377	1,565	GB	102		
GF4030BG	363	1,167	GB	68		GF4032BG
GF4030BGD15	377	3,016	GB	135		
GF4032BG	363	1,265	GB	87		
GF4032BGA20	378	2,151	GB	136		
GF4032BGB20	378	1,725	GB	129		
GF4032BGD20	378	3,506	GB	161		
GF4038CG	363	1,545	GB	126		
GF4038CH	363	1,633	GB	126		
GF5013AG	363	457	GB	20		GF5015AG
GF5013AH	363	484	GB	20		
GF5015AG	363	489	GB	25		GF5018AG
GF5015AGA25	372	770	GB	45		
GF5015AGB25	372	767	GB	44		
GF5015AGC25	372	1,073	GB	49		
GF5015AGD25	372	1,073	GB	49		
GF5018AG	363	501	GB	30		GF5021AG
GF5018AGA33	373	815	GB	52		
GF5018AGB33	373	801	GB	52		
GF5018AGC33	373	1,117	GB	57		
GF5018AGD33	373	1,117	GB	57		
GF5018AJ	363	501	GB	30		GF5021AJ
GF5021AG	363	627	GB	35		GF5024AG
GF5021AH	363	661	GB	35		
GF5021AJ	363	627	GB	35		
GF5024AG	363	740	GB	40		GF5026AG
GF5024AGA50	374	1,105	GB	67		
GF5024AGA75	375	1,160	GB	74		
GF5024AGB50	374	1,084	GB	63		
GF5024AGB75	375	1,105	GB	65		

Catalog Number	Page Number	List Price	Mult Sym	Ship Wgt <sup>(1)</sup>	Type	Alternate Cat Number <sup>(2)</sup>
GF4021AG	363	627	GB	35		GF4024AG
GF4021AGA50	374	992	GB	62		
GF4021AGB50	374	971	GB	58		
GF4021AGC50	374	1,316	GB	67		
GF4021AGD50	374	1,316	GB	66		
GF4021AJ	363	627	GB	35		GF4024AJ
GF4024AG	363	740	GB	40		GF4026AG
GF4024AGA10	376	1,221	GB	78		
GF4024AGA75	375	1,160	GB	74		
GF4024AGB10	376	1,121	GB	70		
GF4024AGB75	375	1,105	GB	65		
GF4024AGC10	376	1,759	GB	84		
GF4024AGC75	375	1,577	GB	79		
GF4024AGD10	376	1,759	GB	84		
GF4024AGD75	375	1,577	GB	79		
GF4024AH	363	782	GB	40		
GF4024AJ	363	740	GB	40		GF4026AJ
GF4026AG	363	858	GB	55		GF4030AG
GF4026AJ	363	858	GB	55		
GF4026BG	363	858	GB	55		GF4030BG
GF4030AG	363	1,167	GB	68		
GF4030AGA15	377	1,681	GB	102		
GF4030AGB15	377	1,565	GB	102		
GF4030BG	363	1,167	GB	68		GF4032BG
GF4030BGD15	377	3,016	GB	135		
GF4032BG	363	1,265	GB	87		
GF4032BGA20	378	2,151	GB	136		
GF4032BGB20	378	1,725	GB	129		
GF4032BGD20	378	3,506	GB	161		
GF4038CG	363	1,545	GB	126		
GF4038CH	363	1,633	GB	126		
GF5013AG	363	457	GB	20		GF5015AG
GF5013AH	363	484	GB	20		
GF5015AG	363	489	GB	25		GF5018AG
GF5015AGA25	372	770	GB	45		
GF5015AGB25	372	767	GB	44		
GF5015AGC25	372	1,073	GB	49		
GF5015AGD25	372	1,073	GB	49		
GF5018AG	363	501	GB	30		GF5021AG
GF5018AGA33	373	815	GB	52		
GF5018AGB33	373	801	GB	52		
GF5018AGC33	373	1,117	GB	57		
GF5018AGD33	373	1,117	GB	57		
GF5018AJ	363	501	GB	30		GF5021AJ
GF5021AG	363	627	GB	35		GF5024AG
GF5021AH	363	661	GB	35		
GF5021AJ	363	627	GB	35		
GF5024AG	363	740	GB	40		GF5026AG
GF5024AGA50	374	1,105	GB	67		
GF5024AGA75	375	1,160	GB	74		
GF5024AGB50	374	1,084	GB	63		
GF5024AGB75	375	1,105	GB	65		

(1) Shipping weight is approximate.

(2) Baldor has suggested alternate products, however there may be slight differences in performance, efficiency, voltage range, dimensions and mounting. Customers should verify suitability of selected products for their specific application.



Catalog Number	Page Number	List Price	Mult Sym	Ship Wgt <sup>(1)</sup>	Type	Alternate Cat Number <sup>(2)</sup>
GF5024AGC50	374	1,429	GB	72		
GF5024AGC75	375	1,577	GB	79		
GF5024AGD50	374	1,429	GB	71		
GF5024AGD75	375	1,577	GB	79		
GF5026AG	363	858	GB	55		GF5030AG
GF5026BG	363	858	GB	55		GF5030BG
GF5030AG	363	1,167	GB	68		GF5032AG
GF5030AGA10	376	1,648	GB	106		
GF5030AGB10	376	1,548	GB	98		
GF5030AGC10	376	2,186	GB	112		
GF5030AGD10	376	2,186	GB	112		
GF5030BG	363	1,167	GB	68		
GF5032AG	363	1,265	GB	87		
GF5032AGB15	377	1,693	GB	121		
GF5032BG	363	1,265	GB	87		GF5038BG
GF5032BGA15	377	1,833	GB	134		
GF5032BGD15	377	3,144	GB	154		
GF5038BG	363	1,545	GB	126		
GF5038BGA20	378	2,431	GB	175		
GF5038BGB20	378	2,005	GB	168		
GF5038BGD20	378	3,787	GB	200		
GF5038BH	363	1,633	GB	126		
GF6015AG	363	489	GB	25		GF6018AG
GF6015AGA25	372	770	GB	45		
GF6015AGB25	372	767	GB	44		
GF6015AGC25	372	1,073	GB	49		
GF6015AGD25	372	1,073	GB	49		
GF6015AH	363	518	GB	25		GF6018AH
GF6018AG	363	501	GB	30		GF6021AG
GF6018AGA33	373	815	GB	52		
GF6018AGB33	373	801	GB	52		
GF6018AGC33	373	1,117	GB	57		
GF6018AGD33	373	1,117	GB	57		
GF6018AH	363	530	GB	30		GF6021AH
GF6018AJ	363	501	GB	30		GF6021AJ
GF6021AG	364	627	GB	35		GF6024AG
GF6021AH	364	661	GB	35		
GF6021AJ	364	627	GB	35		GF6024AJ
GF6024AG	364	740	GB	40		
GF6024AGA50	374	1,105	GB	67		
GF6024AGB50	374	1,084	GB	63		
GF6024AGC50	374	1,429	GB	72		
GF6024AGD50	374	1,429	GB	71		
GF6024AJ	364	740	GB	40		GF6026AJ
GF6026AG	364	858	GB	55		GF6030AG
GF6026AGA75	375	1,160	GB	74		
GF6026AGB75	375	1,105	GB	65		
GF6026AGC75	375	1,577	GB	79		
GF6026AGD75	375	1,577	GB	79		
GF6026AH	364	904	GB	55		
GF6026AJ	364	858	GB	55		
GF6030AG	364	1,167	GB	68		GF6032AG

Catalog Number	Page Number	List Price	Mult Sym	Ship Wgt <sup>(1)</sup>	Type	Alternate Cat Number <sup>(2)</sup>
GF6030AGA10	376	1,648	GB	106		
GF6030AGB10	376	1,548	GB	98		
GF6030AGC10	376	2,186	GB	112		
GF6030AGD10	376	2,186	GB	112		
GF6030BG	364	1,167	GB	68		GF6032BG
GF6032AG	364	1,265	GB	87		
GF6032BG	364	1,265	GB	87		GF6038BG
GF6038AGA15	377	1,940	GB	173		
GF6038BG	364	1,545	GB	126		
GF6038BGA20	378	2,431	GB	175		
GF6038BGB15	377	1,997	GB	160		
GF6038BGB20	378	2,005	GB	168		
GF6038BGD15	377	3,424	GB	193		
GF6038BGD20	378	3,787	GB	200		
GF6038BH	364	1,633	GB	126		
GHF0513AH	365	602	GB	20		GHF0518AH
GHF0518AH	365	644	GB	30		
GHF1018AH	365	644	GB	30		GHF1021AH
GHF1021AH	365	765	GB	35		
GHF1030CH	365	1,387	GB	75		
GHF1513AH	365	602	GB	20		GHF1518AH
GHF1518AH	365	644	GB	30		GHF1521AH
GHF1521AH	365	765	GB	35		GHF1524AH
GHF1524AH	365	919	GB	45		
GHF1530BH	365	1,387	GB	75		
GHF2013AH	365	602	GB	20		GHF2018AH
GHF2018AH	365	644	GB	30		
GHF2021AH	365	765	GB	35		GHF2024AH
GHF2024AH	365	919	GB	45		GHF2026AH
GHF2026AH	365	1,085	GB	56		
GHF2030BH	365	1,387	GB	75		
GHF2518AH	365	644	GB	23		
GHF2521AH	365	765	GB	32		
GHF2526BH	365	1,085	GB	44		
GHF2530BH	365	1,387	GB	88		
GHF3013AH	365	602	GB	20		GHF3018AH
GHF3018AH	365	644	GB	30		GHF3021AH
GHF3021AH	365	765	GB	35		GHF3024AH
GHF3024AH	365	919	GB	45		GHF3026AH
GHF3026AH	365	1,085	GB	56		
GHF3030BH	365	1,387	GB	75		GHF3032BH
GHF3032BH	365	1,503	GB	95		
GHF4018AH	365	644	GB	30		GHF4021AH
GHF4021AH	365	765	GB	35		GHF4024AH
GHF4024AH	365	919	GB	45		GHF4026AH
GHF4026AH	365	1,085	GB	56		
GHF4026BH	365	1,085	GB	56		GHF4030BH
GHF4032BH	365	1,503	GB	95		
GHF5013AH	365	602	GB	20		GHF5018AH
GHF5018AH	365	644	GB	30		GHF5021AH
GHF5021AH	365	765	GB	35		GHF5024AH
GHF5024AH	365	919	GB	45		GHF5030AH

<sup>(1)</sup> Shipping weight is approximate.

<sup>(2)</sup> Baldor has suggested alternate products, however there may be slight differences in performance, efficiency, voltage range, dimensions and mounting. Customers should verify suitability of selected products for their specific application.



Gearmotors and Gear Products

Motor Accessories

Grinders

Generators

Servo Motors and Controls

Mod Express

Baldor Education Workshops

Warranties and Sales Policies

Cross Reference and Index

Baldor Sales Offices

Catalog Number	Page Number	List Price	Mult Sym	Ship Wgt <sup>(1)</sup>	Type	Alternate Cat Number <sup>(2)</sup>
GHF5030AH	365	1,387	GB	75		GHF5032AH
GHF5032AH	365	1,503	GB	95		
GHF6018AH	365	644	GB	30		GHF6021AH
GHF6021AH	365	765	GB	35		GHF6024AH
GHF6024AH	365	919	GB	45		GHF6026AH
GHF6026AH	365	1,085	GB	56		GHF6030AH
GHF6030AH	365	1,387	GB	75		GHF6032AH
GHF6032AH	365	1,503	GB	95		
GHL31010	341	1,150	DS	55		GHL35010
GHL31020	341	1,150	DS	55		GHL35020
GHL31030	341	1,150	DS	55		GHL35030
GHL35010	341	937	DS	45		GHL37510
GHL35020	341	937	DS	45		GHL37520
GHL35030	341	937	DS	45		GHL37530
GHL35060	341	937	DS	45		
GHL37510	341	1,007	DS	50		
GHL37520	341	1,007	DS	50		
GHL37530	341	1,007	DS	50		
GHM31010	341	954	DS	45		GHM35010
GHM31020	341	954	DS	45		GHM35020
GHM31030	341	954	DS	45		GHM35030
GHM35010	341	903	DS	40		GHM37510
GHM35020	341	903	DS	40		GHM37520
GHM35030	341	903	DS	40		GHM37530
GHM35040	341	903	DS	27		
GHM35050	341	903	DS	40		
GHM35060	341	903	DS	40		
GHM37510	341	929	DS	42		
GHM37520	341	929	DS	42		
GHM37530	341	929	DS	42		
GIF0938A	381	906	GB	29		
GIF0938B	381	906	GB	31		
GIF0938C	381	992	GB	32		
GIF0948C	381	1,433	GB	55		
GIF0968D	381	2,245	GB	101		
GIF1438A	381	906	GB	29		
GIF1438B	381	906	GB	31		
GIF1448C	381	1,433	GB	55		
GIF1468C	381	2,245	GB	93		
GIF1468D	381	2,245	GB	101		
GIF1488E	381	3,461	GB	229		
GIF1838A	381	906	GB	29		
GIF1838B	381	906	GB	31		
GIF1848B	381	1,257	GB	54		
GIF1848C	381	1,433	GB	85		
GIF1868C	381	2,245	GB	93		
GIF1868D	381	2,245	GB	101		
GIF1888E	381	3,461	GB	229		
GIF2538A	381	906	GB	29		
GIF2538B	381	906	GB	31		
GIF2548B	381	1,257	GB	54		
GIF2548C	381	1,433	GB	55		

Catalog Number	Page Number	List Price	Mult Sym	Ship Wgt <sup>(1)</sup>	Type	Alternate Cat Number <sup>(2)</sup>
GIF2568C	381	2,245	GB	93		
GIF2588D	381	3,261	GB	178		
GIF2588E	381	3,461	GB	229		
GIF4038A	381	906	GB	29		
GIF4048A	381	1,257	GB	52		
GIF4048B	381	1,257	GB	54		
GIF4068C	381	2,245	GB	93		
GIF4088D	381	3,261	GB	178		
GIF5068B	381	2,071	GB	92		
GIF5088C	381	3,261	GB	178		
GIF5638A	381	1,094	GB	29		
GIF5648A	381	1,379	GB	52		
GLF0515AG	369	509	GB	30		GLF0821AG
GLF0821AG	369	644	GB	38		
GLF0821AJ	369	644	GB	38		
GLF0821BG	369	644	GB	38		GLF0826BG
GLF0826BG	369	884	GB	60		
GLF0826CG	369	884	GB	60		
GLF1018AG	369	522	GB	32		GLF1021AG
GLF1021AG	369	644	GB	38		
GLF1021BG	369	644	GB	38		GLF1024BG
GLF1021BJ	369	644	GB	38		
GLF1024BG	369	757	GB	45		GLF1026BG
GLF1026BG	369	884	GB	60		
GLF1026CG	369	884	GB	60		GLF1032CG
GLF1032CG	369	1,289	GB	100		
GLF1513AG	369	468	GB	20		GLF1521AG
GLF1521AG	369	644	GB	38		
GLF1521AJ	369	644	GB	38		
GLF1526BG	369	884	GB	60		
GLF1526BJ	369	884	GB	60		
GLF1532CG	369	1,289	GB	100		
GLF1532CJ	369	1,289	GB	100		
GLF1538CG	369	1,574	GB	130		
GLF2013AG	369	468	GB	20		GLF2018AG
GLF2018AG	369	522	GB	32		GLF2021AG
GLF2021AG	369	644	GB	38		
GLF2021AJ	370	644	GB	38		
GLF2026BG	370	884	GB	60		
GLF2026BJ	370	884	GB	60		
GLF2032CG	370	1,289	GB	100		
GLF2515AG	370	509	GB	30		GLF2518AG
GLF2518AG	370	522	GB	32		GLF2521AG
GLF2521AG	370	644	GB	38		GLF2526AG
GLF2521AJ	370	644	GB	38		
GLF2526AG	370	884	GB	60		
GLF2526BG	370	884	GB	60		GLF2532BG
GLF2526BJ	370	884	GB	60		
GLF2532BG	370	1,289	GB	100		
GLF2532CG	370	1,289	GB	100		
GLF2532CJ	370	1,289	GB	100		
GLF3013AG	370	468	GB	20		GLF3015AG

(1) Shipping weight is approximate.

(2) Baldor has suggested alternate products, however there may be slight differences in performance, efficiency, voltage range, dimensions and mounting. Customers should verify suitability of selected products for their specific application.

Catalog Number	Page Number	List Price	Mult Sym	Ship Wgt <sup>(1)</sup>	Type	Alternate Cat Number <sup>(2)</sup>
GLF3015AG	370	509	GB	30		GLF3018AG
GLF3018AG	370	522	GB	32		GLF3021AG
GLF3018AJ	370	522	GB	32		
GLF3021AG	370	644	GB	38		GLF3024AG
GLF3024AG	370	757	GB	45		
GLF3026BG	370	884	GB	60		
GLF3026BJ	370	884	GB	60		
GLF3032CG	370	1,289	GB	100		GLF3038CG
GLF3038CG	370	1,574	GB	130		
GLF4018AG	370	522	GB	32		GLF4021AG
GLF4024AG	370	757	GB	45		GLF4026AG
GLF4026AG	370	884	GB	60		
GLF4032BG	370	1,289	GB	100		
GLF4038CG	370	1,574	GB	130		
GLF5021AG	370	644	GB	38		GLF5026AG
GLF5026AG	370	884	GB	60		
GLF6015AG	370	509	GB	30		GLF6018AG
GLF6018AG	370	522	GB	32		GLF6021AG
GLF6021AG	370	644	GB	38		GLF6026AG
GLF6026AG	370	884	GB	60		GLF6032AG
GLF6032AG	370	1,289	GB	100		
GLF6032BG	370	1,289	GB	100		
GLP3310	354	793	DS	25		
GLP3328	354	825	DS	25		
GLP3330	354	825	DS	25		GLP3342
GLP3332	354	776	DS	25		GLP3344
GLP3336	354	776	DS	25		GLP3348
GLP3338	354	776	DS	25		
GLP3342	354	871	DS	25		GLP3330
GLP3344	354	821	DS	25		GLP3332
GLP3346	354	821	DS	25		
GLP3348	354	821	DS	25		GLP3336
GM2501	340	723	DS	28		GM3301
GM25016	336	608	DS	15		
GM25021	336	608	DS	15		
GM25022	334	465	DS	15		GM3349
GM25024	334	465	DS	15		GM3347
GM25026	334	451	DS	15		
GM2503	340	723	DS	28		GM3303
GM2506	340	723	DS	28		GM3306
GM25060	337	799	DS	12		
GM2507	340	723	DS	28		GM3307
GM25080	337	799	DS	12		
GM25120	337	799	DS	10		
GM25190	337	799	DS	12		
GM25280	337	799	DS	12		
GM3301	340	727	DS	35		GHM35010
GM3303	340	727	DS	35		GHM35020
GM3306	340	727	DS	35		
GM3307	340	727	DS	35		
GM3329	334	586	DS	15		
GM3331	339	615	DS	24		

Catalog Number	Page Number	List Price	Mult Sym	Ship Wgt <sup>(1)</sup>	Type	Alternate Cat Number <sup>(2)</sup>
GM3334	340	710	DS	24	2520M	GM3345
GM3337	340	710	DS	16	2520M	GM3340
GM3338	340	710	DS	24	2520M	
GM3340	338	706	DS	24		GM2506
GM3345	338	706	DS	24		GM2503
GM3347	338	706	DS	24		GM2501
GM3349	338	706	DS	24		
GMP3330	354	817	DS	27		GMP3342
GMP3332	354	768	DS	27		GMP3344
GMP3336	354	768	DS	27		GMP3348
GMP3338	354	768	DS	27		
GMP3340	354	863	DS	27		
GMP3342	354	863	DS	27		
GMP3344	354	814	DS	27		
GMP3348	354	814	DS	27		
GP12511	348	575	DS	10		GP13530
GP12512	348	575	DS	10		GP13532
GP12514	348	575	DS	10		GP13533
GP12516	348	575	DS	10		GP13536
GP13530	348	604	DS	10		GP7403
GP13531	348	604	DS	10		GP7402
GP13532	348	604	DS	10		GP7401
GP13533	348	604	DS	10		GP7400
GP13536	348	604	DS	10		GP7413
GP231001	342	365	DS	5		GP232001
GP231002	342	365	DS	5		
GP231003	342	339	DS	5		
GP231004	349	451	DS	8		
GP231005	343	356	DS	5		
GP232001	342	365	DS	5		
GP232002	344	451	DS	7		GP233006
GP232003	349	451	DS	8		
GP232004	345	505	DS	7		
GP232005	345	505	DS	7		
GP232006	345	505	DS	7		GP7304
GP232007	345	527	DS	7		GP7409
GP233001	344	468	DS	7		GP12514
GP233002	344	468	DS	7		GP12512
GP233003	344	468	DS	8		GP233005
GP233004	349	468	DS	8		GP12512
GP233005	349	468	DS	8		GP12511
GP233006	349	468	DS	8		GP12511
GP233007	344	468	DS	7		
GP233020	345	527	DS	7		
GP233021	344	468	DS	7		
GP233022	344	468	DS	7		GP233024
GP233023	344	468	DS	7		GP7422
GP233024	349	468	DS	8		GP7421
GP233025	349	468	DS	8		GP7422
GP233026	349	468	DS	8		GP7423
GP233027	345	550	DS	7		GP7429
GP233028	345	527	DS	7		

<sup>(1)</sup> Shipping weight is approximate.

<sup>(2)</sup> Baldor has suggested alternate products, however there may be slight differences in performance, efficiency, voltage range, dimensions and mounting. Customers should verify suitability of selected products for their specific application.

Gearmotors and Gear Products

Motor Accessories

Grinders

Generators

Servo Motors and Controls

Mod Express

Baldor Education Workshops

Warranties and Sales Policies

Cross Reference and Index

Baldor Sales Offices

Catalog Number	Page Number	List Price	Mult Sym	Ship Wgt <sup>(1)</sup>	Type	Alternate Cat Number <sup>(2)</sup>
GP233029	345	527	DS	7		
GP24060	347	805	DS	12		
GP24120	347	805	DS	12		
GP24190	347	805	DS	12		
GP24280	347	805	DS	12		
GP2501	350	787	DS	25		GP3301
GP2503	350	787	DS	25		GP3303
GP2506	350	787	DS	25		GP3306
GP2507	350	787	DS	25		GP3307
GP3301	350	914	DS	35		GP2501
GP3303	350	914	DS	35		GP2503
GP3306	350	914	DS	35		GP2506
GP3307	350	914	DS	35		GP2507
GP7304	346	741	DS	13		
GP7400	350	641	DS	14		GP13533
GP7401	350	641	DS	14		GP13532
GP7402	350	641	DS	14		GP13531
GP7403	350	641	DS	14		GP13530
GP7404	350	641	DS	14		GP2507
GP7405	350	641	DS	14		GP2506
GP7406	350	641	DS	14		GP2503
GP7407	350	641	DS	14		GP2506
GP7408	350	641	DS	14		GP2507
GP7409	346	706	DS	15		
GP7413	350	641	DS	14		
GP7420	350	641	DS	14		
GP7421	350	641	DS	14		GP7427
GP7422	350	641	DS	14		GP7428
GP7423	350	641	DS	14		
GP7424	350	641	DS	14		
GP7425	350	641	DS	14		
GP7426	350	641	DS	14		
GP7427	350	641	DS	14		
GP7428	350	641	DS	14		
GP7429	346	729	DS	15		
GP7433	350	641	DS	14		
GPF13514	351	666	DS	15		
GPF13515	351	666	DS	15		
GPF13516	351	666	DS	15		
GPF13517	351	666	DS	15		
GPF13530	351	666	DS	15		
GPF13532	351	666	DS	15		
GPP12501	356	494	DS	11		GPP12541
GPP12502	356	494	DS	11		GPP12543
GPP12503	356	494	DS	11		
GPP12504	356	519	DS	11		GPP12545
GPP12505	356	519	DS	11		GPP12547
GPP12521	356	500	DS	11		GPP12561
GPP12525	356	500	DS	11		GPP12567
GPP12540	357	553	DS	12		GPP7450
GPP12541	357	553	DS	12		GPP7451
GPP12542	357	553	DS	12		GPP7452

Catalog Number	Page Number	List Price	Mult Sym	Ship Wgt <sup>(1)</sup>	Type	Alternate Cat Number <sup>(2)</sup>
GPP12543	357	553	DS	12		GPP7453
GPP12544	357	578	DS	12		GPP7454
GPP12545	357	578	DS	12		GPP7455
GPP12547	357	578	DS	12		GPP7456
GPP12560	357	553	DS	11		GPP7470
GPP12561	357	553	DS	11		GPP7471
GPP12564	357	558	DS	11		GPP7474
GPP12567	357	558	DS	11		GPP7476
GPP231108	356	451	DS	8		GPP233141
GPP231109	356	428	DS	8		GPP233112
GPP231110	356	428	DS	8		GPP12503
GPP232110	356	451	DS	7		GPP233140
GPP233111	356	468	DS	8		GPP12504
GPP233112	356	468	DS	8		GPP12505
GPP233120	356	468	DS	8		
GPP233121	356	468	DS	8		
GPP233140	357	577	DS	10		GPP233141
GPP233141	357	577	DS	10		GPP233140
GPP2530	358	956	DS	24		
GPP2534	358	910	DS	24		
GPP2538	358	910	DS	24		
GPP3340	358	1,074	DS	35		
GPP3344	358	1,074	DS	31		
GPP3348	358	1,027	DS	35		
GPP3370	358	1,074	DS	35		
GPP3374	358	1,027	DS	35		
GPP3378	358	1,027	DS	35		
GPP3380	358	1,074	DS	35		
GPP3384	358	1,027	DS	35		
GPP3388	358	1,027	DS	35		
GPP7450	358	643	DS	17		GPP3348
GPP7451	358	643	DS	17		
GPP7452	358	643	DS	15		GPP3344
GPP7453	358	700	DS	17		GPP2534
GPP7454	358	700	DS	17		GPP3340
GPP7455	358	700	DS	17		GPP2530
GPP7456	358	700	DS	17		
GPP7457	358	729	DS	17		
GPP7458	358	729	DS	17		
GPP7459	358	729	DS	17		
GPP7460	358	700	DS	17		GPP2530
GPP7461	358	729	DS	17		
GPP7462	358	729	DS	17		GPP7458
GPP7470	358	643	DS	17		GPP3388
GPP7471	358	643	DS	17		
GPP7472	358	643	DS	17		GPP3384
GPP7473	358	700	DS	17		GPP3374
GPP7474	358	700	DS	17		GPP3380
GPP7475	358	700	DS	17		GPP3370
GPP7476	358	700	DS	17		
GPP7477	358	729	DS	17		
GPP7478	358	729	DS	17		GPP7477

(1) Shipping weight is approximate.

(2) Baldor has suggested alternate products, however there may be slight differences in performance, efficiency, voltage range, dimensions and mounting. Customers should verify suitability of selected products for their specific application.

Catalog Number	Page Number	List Price	Mult Sym	Ship Wgt <sup>(1)</sup>	Type	Alternate Cat Number <sup>(2)</sup>
GPP7479	358	729	DS	17		GPP7478
GS1018G	371	437	GB	25		GS1021G
GS1021G	371	515	GB	28		GS1026G
GS1026G	371	725	GB	50		
GS1515G	371	431	GB	21		GS1518G
GS1518G	371	437	GB	25		GS1521G
GS1521G	371	515	GB	28		
GS2018G	371	437	GB	25		GS2021G
GS2021G	371	515	GB	28		GS2024G
GS2024G	371	642	GB	38		GS2026G
GS2026G	371	725	GB	50		
GS2515G	371	431	GB	21		
GS3013G	371	418	GB	18		GS3015G
GS3018G	371	437	GB	25		GS3021G
GS3021G	371	515	GB	28		GS3026G
GS3026G	371	725	GB	50		
GS4015G	371	431	GB	21		GS4018G
GS4018G	371	437	GB	25		GS4021G
GS4021G	371	515	GB	28		GS4026G
GS4026G	371	725	GB	50		
GS5018G	371	437	GB	25		GS5021G
GS5021G	371	515	GB	28		GS5026G
GS5026G	371	725	GB	50		
GS6013G	371	418	GB	18		GS6015G
GS6015G	371	431	GB	21		GS6018G
GS6018G	371	437	GB	25		GS6021G
GS6021G	371	515	GB	28		GS6024G
GS6024G	371	642	GB	38		GS6026G
GS6026G	371	725	GB	50		
GSF1013AA	379	571	GB	21		GSF1018AA
GSF1018AA	379	625	GB	22		
GSF1018BA	379	625	GB	23		
GSF1020AA	379	746	GB	30		
GSF1020BA	379	746	GB	29		GSF1023BA
GSF1023BA	379	846	GB	32		GSF1026BA
GSF1026BA	379	1,079	GB	46		
GSF1026CA	379	1,079	GB	55		GSF1030CA
GSF1030CA	379	1,233	GB	61		
GSF1513AA	379	571	GB	21		GSF1518AA
GSF1518AA	379	625	GB	23		GSF1520AA
GSF1520AA	379	746	GB	29		GSF1523AA
GSF1523AA	379	846	GB	37		
GSF1523BA	379	846	GB	33		GSF1526BA
GSF1526BA	379	1,079	GB	51		GSF1530BA
GSF1530BA	379	1,233	GB	57		
GSF1530CA	379	1,233	GB	61		GSF1535CA
GSF1535CA	379	1,691	GB	86		
GSF2013AA	379	571	GB	24		GSF2018AA
GSF2018AA	379	625	GB	23		GSF2020AA
GSF2020AA	379	746	GB	30		
GSF2020BA	379	746	GB	28		
GSF2023AA	379	846	GB	37		GSF2026AA

Catalog Number	Page Number	List Price	Mult Sym	Ship Wgt <sup>(1)</sup>	Type	Alternate Cat Number <sup>(2)</sup>
GSF2023BA	379	846	GB	33		
GSF2026AA	379	1,079	GB	51		
GSF2026BA	379	1,079	GB	51		GSF2030BA
GSF2030BA	379	1,233	GB	57		
GSF2030CA	379	1,233	GB	62		GSF2035CA
GSF2035CA	379	1,691	GB	90		
GSF2513AA	380	571	GB	21		GSF2518AA
GSF2518AA	380	625	GB	23		GSF2520AA
GSF2520AA	380	746	GB	29		GSF2523AA
GSF2523AA	380	846	GB	33		
GSF2530BA	380	1,233	GB	56		
GSF3013AA	380	571	GB	21		GSF3018AA
GSF3018AA	380	625	GB	22		GSF3020AA
GSF3020AA	380	746	GB	30		GSF3023AA
GSF3023AA	380	846	GB	33		GSF3026AA
GSF3026AA	380	1,079	GB	50		
GSF3030BA	380	1,233	GB	57		GSF3035BA
GSF3035BA	380	1,691	GB	82		
GSF4013AA	380	571	GB	21		GSF4018AA
GSF4018AA	380	625	GB	11		GSF4020AA
GSF4020AA	380	746	GB	30		GSF4023AA
GSF4023AA	380	846	GB	33		GSF4026AA
GSF4026AA	380	1,079	GB	51		GSF4030AA
GSF4030AA	380	1,233	GB	57		
GSF4030BA	380	1,233	GB	57		GSF4035BA
GSF4035BA	380	1,691	GB	83		
GSF5013AA	380	571	GB	21		GSF5018AA
GSF5018AA	380	625	GB	23		GSF5020AA
GSF5020AA	380	746	GB	30		GSF5023AA
GSF5023AA	380	846	GB	33		GSF5026AA
GSF5026AA	380	1,079	GB	51		GSF5030AA
GSF5030BA	380	1,233	GB	57		GSF5035BA
GSF5035BA	380	1,691	GB	86		
GSF6018AA	380	625	GB	23		GSF6020AA
GSF6020AA	380	746	GB	29		GSF6023AA
GSF6023AA	380	846	GB	33		GSF6026AA
GSF6026AA	380	1,079	GB	51		GSF6030AA
GSF6030AA	380	1,233	GB	56		
GSF6035BA	380	1,691	GB	83		
GSL3509M	137	653	K	42		
GTK30A10	411	670	G8	37		
GTK30PBK	411	125	G8	4		
GTK50A12	411	905	G8	45		
GTK50PBK	411	150	G8	5		
H3M9101	129	282	LS	21		
H3M9102	129	306	LS	24		
H3M9104	129	311	LS	24		
H3M9105	129	387	LS	27		
H3M9106	129	364	LS	24		
H3M9110	129	390	LS	31		
H3M9112T	129	487	LS	42		
H3M9114T	129	387	LS	44	3520M	

<sup>(1)</sup> Shipping weight is approximate.

<sup>(2)</sup> Baldor has suggested alternate products, however there may be slight differences in performance, efficiency, voltage range, dimensions and mounting. Customers should verify suitability of selected products for their specific application.

Gearmotors and Gear Products

Motor Accessories

Grinders

Generators

Servo Motors and Controls

Mod Express

Baldor Education Workshops

Warranties and Sales Policies

Cross Reference and Index

Baldor Sales Offices

Catalog Number	Page Number	List Price	Mult Sym	Ship Wgt <sup>(1)</sup>	Type	Alternate Cat Number <sup>(2)</sup>
H3M9117T	130	559	LS	41		
H3M9118T	130	405	LS	45	3524M	
H3M9121T	130	590	LS	68	3532M	
H3M9122T	130	479	LS	68		
H3M9125T	130	679	LS	69		
H3M9126T	130	548	LS	78		
H3M9128T	130	999	LS	105		
H3M9129T	130	703	LS	116	3731M	
H3M9131T	130	1,048	LS	125		
H3M9132T	130	858	LS	128	3740M	
H3M9133T	130	1,659	LS	158		
H3M9135T	130	1,466	LS	187		
H3M9139T	130	1,810	LS	250		
H3M9201	127	241	LS	20		
H3M9202	127	270	LS	22		
H3M9204	127	284	LS	24		
H3M9205	127	299	LS	27		
H3M9206	127	326	LS	27		
H3M9210	127	339	LS	33		
H3M9212T	127	394	LS	32		
H3M9214T	127	360	LS	39	3519M	
H3M9217T	127	435	LS	41		
H3M9218T	127	390	LS	43	3523M	
H3M9221T	127	462	LS	47		
H3M9222T	127	422	LS	39	3535M	
H3M9225T	128	478	LS	55		
H3M9226T	128	465	LS	69		
H3M9228T	128	658	LS	66		
H3M9229T	128	649	LS	104		
H3M9231T	128	826	LS	107		
H3M9232T	128	813	LS	110	3733M	
H3M9233T	128	1,206	LS	125		
H3M9235T	128	1,218	LS	158		
H3M9238T	128	1,541	LS	170		
H3M9239T	128	1,483	LS	235		
H3M9241T	128	1,862	LS	221		
H3M9242T	128	1,799	LS	252		
H3M9244T	128	1,972	LS	235		
H3M9246T	128	2,078	LS	249		
H3M9248T	128	2,779	LS	251		
H3M9249T	128	2,680	LS	339		
H3M9252T	128	3,106	LS	378		
H3M9255T	128	3,834	LS	475	4250M	
H3M9258T	128	4,695	LS	544		
HFM2515T	125	1,486	LS	229		
HFM2523T	125	1,221	LS	157		
HFM2531T	125	1,802	LS	226		
HFM2535T	125	2,081	LS	255		
HFM2539T	125	2,683	LS	365		
HFM2543T	125	3,109	LS	369		
HFM2547T	125	3,837	LS	479		
HFM2551T	125	4,698	LS	544		

Catalog Number	Page Number	List Price	Mult Sym	Ship Wgt <sup>(1)</sup>	Type	Alternate Cat Number <sup>(2)</sup>
HFM2555T	125	5,967	LS	618		
HFM3116T	124	347	LS	31	3516M	
HFM3154T	124	368	LS	36		
HFM3157T	124	398	LS	41	3523M	
HFM3211T	124	430	LS	49	3535M	
HFM3218T	124	468	LS	66		
HFM3311T	124	652	LS	92		
HFM3313T	125	816	LS	111	3733M	
HIC174A	117	280	C1	27		
HIC264A	117	301	C1	25	1714C	
HIC274A	117	301	C1	28	1714C	
HIC364A	117	326	C1	27		
HIC374A	117	326	C1	29	1720C	
HM2515T	124	1,485	LS	235		
HM2523T	124	1,244	LS	159		
HM2531T	124	1,836	LS	226		
HM2535T	124	2,120	LS	249		
HM2539T	124	2,732	LS	340		
HM2543T	124	3,167	LS	378		
HM2547T	124	3,909	LS	479		
HM2551T	124	4,787	LS	544		
HM2555T	124	6,078	LS	618		
HM3108	126	291	K	22		
HM3108A	126	373	K	23		
HM3112	126	321	K	26		
HM3112A	126	411	K	26		
HM3116	126	363	K	32		
HM3116A	126	453	K	32		
HM3116T	124	344	LS	31	3516M	
HM3154	126	417	K	36		
HM3154A	126	500	K	33		
HM3154T	124	364	LS	39	3519M	
HM3157	126	438	K	39		
HM3157A	126	521	K	36		
HM3157T	124	394	LS	41	3523M	
HM3161A	126	568	K	47		
HM3211T	124	426	LS	49		
HM3218T	124	464	LS	68		
HM3218TA	126	641	L1	72		
HM3311T	124	645	LS	92		
HM3313T	124	808	LS	108	3733M	
HM9110T	129	376	LS	34	3426M	
HM9114T	129	383	LS	40	3520M	
HM9118T	129	402	LS	42	3524M	
HM9122T	129	475	LS	67		
HM9126T	129	543	LS	75		
HM9129T	129	696	LS	128	3731M	
HM9132T	129	850	LS	127	3740M	
HM9135T	129	1,453	LS	236		
HM9139T	129	1,793	LS	269	0760M	
HM9142T	129	2,226	LS	416	0956M	
HM9146T	129	2,587	LS	322		

(1) Shipping weight is approximate.

(2) Baldor has suggested alternate products, however there may be slight differences in performance, efficiency, voltage range, dimensions and mounting. Customers should verify suitability of selected products for their specific application.

Catalog Number	Page Number	List Price	Mult Sym	Ship Wgt <sup>(1)</sup>	Type	Alternate Cat Number <sup>(2)</sup>
HM9149T	129	3,454	LS	455		
HM9152T	129	3,603	LS	566		
HM9155T	129	5,395	LS	753		
HM9158T	129	6,665	LS	810	1462M	
HM9210	127	336	LS	31		
HM9214T	127	356	LS	36		
HM9218T	127	386	LS	39	3523M	
HM9222T	127	418	LS	60		
HM9226T	127	461	LS	68		
HM9229T	127	642	LS	95		
HM9232T	127	805	LS	117	3733M	
HM9235T	127	1,207	LS	165		
HM9239T	127	1,469	LS	235		
HM9242T	127	1,782	LS	226	3942M	
HM9246T	127	2,058	LS	280	3952M	
HM9249T	127	2,655	LS	350	4049M	
HM9252T	127	3,076	LS	500	4057M	
HM9255T	127	3,798	LS	523	4250M	
HM9258T	127	4,651	LS	544		
HPM3545	146	524	K	33		
HPM3550T	146	562	L1	20		
HPM3615T	146	708	L1	79		
HPM3710T	146	911	L1	119	3731M	
HPM3714T	146	1,075	L1	145	3740M	
HPU10	323	192	E9	2		
HS1-50	293	108	VS3DC	1		
ID15H4150-E0	247	26,144	E1	404		
ID15H4200-E0	247	32,767	E1	400		
ID15H4250-E0	247	39,651	E1	421		
ID15H4300-E0	247	50,126	E1	928		
ID15H4350-E0	247	58,910	E1	937		
ID15H4400-E0	247	65,533	E1	900		
ID15H4450-E0	247	76,502	E1	1179		
ID5202-C0	245	672	E9	5		ID5203-C0
ID5203-B0	245	1,034	E9	6		ID5203-W0
ID5203-C0	245	708	E9	5		
ID5203-W0	245	1,088	E9	6		
ID5401-C0	245	732	E9	5		ID5402-C0
ID5402-C0	245	751	E9	5		ID5403-C0
ID5403-B0	245	1,098	E9	6		ID5403-W0
ID5403-C0	245	772	E9	5		ID5405-C0
ID5403-W0	245	1,152	E9	6		ID5405-W0
ID5405-B0	245	1,173	E9	6		ID5405-W0
ID5405-C0	245	986	E9	5		
ID5405-W0	245	1,226	E9	6		
ID5601-B0	245	638	E9	6		ID5601-W0
ID5601-C0	245	426	E9	5		ID5602-C0
ID5601-E0	245	514	E9	6		
ID5601-W0	245	680	E9	6		ID5602-W0
ID5602-B0	245	906	E9	8		ID5602-W0
ID5602-C0	245	554	E9	6		
ID5602-W0	245	960	E9	6		

Catalog Number	Page Number	List Price	Mult Sym	Ship Wgt <sup>(1)</sup>	Type	Alternate Cat Number <sup>(2)</sup>
ID56F50-C0	245	352	E9	4		ID5601-C0
ID5AMS-1	245	52	E9	1		
ID5FRS-1	245	29	E9	1		
ID5FRS-2	245	29	E9	1		
ID5RGA-1	245	217	E9	3		
ID5SI-1	245	189	E9	4		
ID5SI-2	245	214	E9	1		
IDBRPM18154C	193	3,808	E2	190		
IDBRPM21254C	193	4,885	E2	320		
IDBRPM21304C	193	5,172	E2	322		
IDBRPM21404	193	5,398	E2	382		
IDBRPM25504	193	6,920	E2	530		
IDBRPM25604	193	8,886	E2	578		
IDBRPM25754	193	10,612	E2	670		
IDBRPM281004	193	12,710	E2	910		
IDBRPM281004R1	193	12,899	E2	805		
IDBRPM281254	193	15,144	E2	890		
IDBRPM321254	193	17,802	E2	1170		
IDBRPM321504	193	23,818	E2	1360		
IDBRPM362004	194	26,349	E2	1746		
IDBRPM402004	194	28,430	E2	1996		
IDBRPM402504	194	32,989	E2	2244		
IDBRPM403004	194	40,480	E2	2511		
IDCSWDM3538	205, 85	1,305	E2	29	3515M	
IDCSWDM3542	205, 85	1,478	E2	36	3517M	
IDCSWDM3546	205, 85	1,535	E2	39		
IDCSWDM3546T	205, 85	1,535	E2	39		
IDCSWDM3554	205, 85	1,642	E2	45		
IDCSWDM3554T	205, 85	1,642	E2	44		
IDCSWDM3558	205, 85	1,753	E2	47		
IDCSWDM3558T	205, 85	1,753	E2	52		
IDCSWDM3611T	205, 85	1,923	E2	74		
IDCSWDM3615T	205, 85	2,238	E2	93	3646M	
IDCSWDM3710T	205, 85	3,389	E2	140		
IDCSWDM3714T	205, 85	3,875	E2	187		
IDDRPM18204C	193	4,197	E2	235		
IDDRPM18254C	193	4,417	E2	215		
IDDRPM18304C	193	4,595	E2	248		
IDDRPM21404	193	5,353	E2	355		
IDDRPM21504	193	5,970	E2	432		
IDDRPM21604	193	7,206	E2	385		
IDDRPM251004	193	10,493	E2	630		
IDDRPM251254	193	13,906	E2	724		
IDDRPM25506	193	8,638	E2	560		
IDDRPM25606	193	9,611	E2	624		
IDDRPM25754	193	8,654	E2	565		
IDDRPM25756	193	11,894	E2	608		
IDDRPM281006	193	15,904	E2	785		
IDDRPM281256	193	19,235	E2	1000		
IDDRPM281504	193	15,526	E2	770		
IDDRPM282004	194	20,241	E2	940		
IDDRPM321506	193	22,291	E2	1135		

(1) Shipping weight is approximate.

(2) Baldor has suggested alternate products, however there may be slight differences in performance, efficiency, voltage range, dimensions and mounting. Customers should verify suitability of selected products for their specific application.

Gearmotors and Gear Products

Motor Accessories

Grinders

Generators

Servo Motors and Controls

Mod Express

Baldor Education Workshops

Warranties and Sales Policies

Cross Reference and Index

Baldor District Offices



Gearmotors and Gear Products  
 Motor Accessories  
 Grinders  
 Generators  
 Servo Motors and Controls  
 Mod Express  
 Baldor Education Workshops  
 Warranties and Sales Policies  
 Cross Reference and Index  
 Baldor Sales Offices

Catalog Number	Page Number	List Price	Mult Sym	Ship Wgt <sup>(1)</sup>	Type	Alternate Cat Number <sup>(2)</sup>
IDDRPM322006	194	27,736	E2	1295		
IDDRPM322504	194	23,818	E2	1220		
IDDRPM323004	194	27,736	E2	1360		
IDDRPM362504	194	28,491	E2	1690		
IDDRPM363504	194	31,467	E2	1812		
IDDRPM364004	194	35,122	E2	1742		
IDDRPM403006	194	36,344	E2	2289		
IDDRPM404006	194	53,060	E2	2485		
IDDRPM405004	194	46,367	E2	2315		
IDDRPM406004	194	56,526	E2	2535		
IDDRPM4410004	194	88,407	E2	3890		
IDDRPM445006	194	80,855	E2	3875		
IDDRPM447004	194	70,545	E2	3000		
IDFRPM18104C	193	3,685	E2	195		
IDFRPM21154C	193	4,327	E2	310		
IDFRPM21204C	193	4,509	E2	318		
IDFRPM21254C	193	4,957	E2	375		
IDFRPM25304C	193	5,217	E2	542		
IDFRPM25404	193	5,676	E2	650		
IDFRPM28504	193	9,695	E2	720		
IDFRPM28604	193	10,311	E2	795		
IDFRPM28754	193	11,582	E2	800		
IDGM2500	209	644	E2	22		
IDGM2501	209	644	E2	22		
IDGM2503	209	644	E2	22		
IDGM2506	209	644	E2	22		
IDGM2508	209	644	E2	22		
IDGM2509	209	644	E2	22		
IDGMP2500	209	588	E2	20		
IDGMP2501	209	588	E2	20		
IDGMP2503	209	588	E2	20		
IDGMP2505	209	624	E2	20		
IDM2276T	203	4,568	E2	286		
IDM2332T	203	5,580	E2	328		
IDM2333T	203	3,138	E2	255		
IDM2333T-5	203	3,138	E2	255		
IDM2334T	203	3,352	E2	286		
IDM2334T-5	203	3,352	E2	286	0948M	
IDM3581T	203	1,462	E2	60	0524M	
IDM3581T-5	203	1,462	E2	61		
IDM3582T	203	1,717	E2	64		
IDM3584T	203	1,546	E2	63		
IDM3584T-5	203	1,546	E2	62		
IDM3587T	203	1,653	E2	68		
IDM3587T-5	203	1,653	E2	71		
IDM3661T	203	2,113	E2	104		IDM3665T
IDM3661T-5	203	2,113	E2	103		
IDM3664T	203	1,984	E2	116		
IDM3665T	203	2,235	E2	120		
IDM3665T-5	203	2,235	E2	120		
IDM3667T	203	1,931	E2	111		
IDM3764T	203	2,595	E2	172		

Catalog Number	Page Number	List Price	Mult Sym	Ship Wgt <sup>(1)</sup>	Type	Alternate Cat Number <sup>(2)</sup>
IDM3768T	203	3,177	E2	200		
IDM3770T	203	2,694	E2	176		
IDM3770T-5	203	2,694	E2	185		
IDM3774T	203	2,886	E2	219		
IDM3774T-5	203	2,886	E2	196		
IDM4100T	203	6,616	E2	422	1056M	
IDM4102T	203	7,449	E2	451	1062M	
IDM4103T	204	4,133	E2	424		
IDM4104T	204	4,741	E2	455		
IDM4110T	204	6,411	E2	608		
IDM4111T	204	8,489	E2	565		
IDM4115T	204	7,196	E2	632		
IDM4117T	204	9,448	E2	596		
IDM4316T	204	9,667	E2	908		
IDM4403T	204	14,685	E2	1196		
IDM4404T	204	17,101	E2	1165		
IDM4406T-4	204	22,243	E2	1630	1888M	
IDM4407T-4	204	25,488	E2	2242		
IDNM2237T	203	2,586	E2	238	0932M	
IDNM2238T	203	2,706	E2	281		
IDNM2333T	203	2,787	E2	286		
IDNM2334T	203	3,851	E2	410		
IDNM3534	203	416	E2	29		
IDNM3538	203	487	E2	32		
IDNM3542	203	542	E2	35	3514M	
IDNM3581T	203	1,107	E2	59		IDNM3584T
IDNM3584T	203	1,221	E2	66	0524M	
IDNM3587T	203	1,276	E2	64		
IDNM3661T	203	1,672	E2	105		
IDNM3665T	203	1,865	E2	112		
IDNM3669T	203	1,481	E2	92		
IDNM3767T	203	2,079	E2	166	0735M	
IDNM3770T	203	2,158	E2	196	0750M	
IDNRPM18054C	193	3,087	E2	170		
IDNRPM18074C	193	3,549	E2	210		
IDNRPM21104C	193	4,203	E2	300		
IDVSM2333T	200	2,698	E2	323		
IDVSM2334T	200	2,957	E2	342		
IDVSM3661T	200	1,327	E2	126		
IDVSM3665T	200	1,551	E2	144		
IDVSM3770T	200	1,938	E2	181		
IDVSM3774T	200	2,250	E2	200		
IDVSM4103T	200	3,740	E2	437		
IDVSM4104T	200	4,146	E2	450		
IDVSM4110T	200	5,534	E2	672		
IDVSM4115T	200	6,764	E2	627		
IDVSM4314T	200	8,379	E2	845		
IDVSM4316T	200	10,494	E2	888		
IDVSM4400T-4	200	13,563	E2	1252		
IDVSM4406T-4	200	20,092	E2	1822		
IDVSM4407T-4	200	23,807	E2	2275		
IDVSM4408T-4	200	29,430	E2	2650		

<sup>(1)</sup> Shipping weight is approximate.

<sup>(2)</sup> Baldor has suggested alternate products, however there may be slight differences in performance, efficiency, voltage range, dimensions and mounting. Customers should verify suitability of selected products for their specific application.

Catalog Number	Page Number	List Price	Mult Sym	Ship Wgt (1)	Type	Alternate Cat Number (2)
IDVSM4410T-4	200	16,835	E2	1657		
IDVSM44304T-4	200	33,648	E2	2808		
IDVSNM2237T	200	1,997	E2	175		
IDVSNM2238T	200	2,474	E2	296		
IDVSNM2333T	200	3,076	E2	331		
IDVSNM3534	200	416	E2	35	3516M	
IDVSNM3538	200	487	E2	35	3516M	
IDVSNM3542	200	542	E2	34	3517M	
IDVSNM3581T	200	1,107	E2	39	0528M	
IDVSNM3584T	200	1,221	E2	66		
IDVSNM3587T	200	1,276	E2	43		
IDVSNM3661T	200	1,367	E2	126		
IDVSNM3665T	200	1,597	E2	149		
IDVSWDM3538	205, 85	1,295	E2	29		
IDVSWDM3542	205, 85	1,472	E2	36		
IDVSWDM3546	205, 85	1,527	E2	39		
IDVSWDM3546T	205, 85	1,527	E2	39		
IDVSWDM3554	205, 85	1,633	E2	42		
IDVSWDM3554T	205, 85	1,633	E2	43		
IDVSWDM3558	205, 85	1,739	E2	49		
IDVSWDM3558T	205, 85	1,739	E2	49		
IDVSWDM3611T	205, 85	1,829	E2	73	3628M	
IDVSWDM3615T	205, 85	2,132	E2	101	3646M	
IDWNM22937T	208, 86	3,026	E2	242		
IDWNM22938T	208, 86	3,544	E2	291		
IDWNM3546T	208, 86	1,305	E2	39		
IDWNM3554T	208, 86	1,438	E2	50		
IDWNM3609T	208, 86	1,584	E2	69		
IDWNM3611T	208, 86	1,726	E2	80		
IDWNM3707T	208, 86	1,953	E2	119		
IDXM7002	206	1,002	E2	17	3516M	
IDXM7006	206	1,029	E2	39		
IDXM7010	206	1,052	E2	43		
IDXM7014T	206	1,172	E2	47		
IDXM7034T	206	1,214	E2	53	3530M	
IDXM7037T	206	1,327	E2	67		
IDXM7054T	206	3,391	E2	356		
IDXM7056T	206	4,400	E2	393		
IDXM7058T	206	5,213	E2	541		
IDXM7060T	206	6,359	E2	561		
IDXM7062T	206	8,518	E2	782	1260M	
IDXM7064T	206	9,910	E2	785		
IDXM7066T	206	11,315	E2	967		
IDXM7068T	206	12,543	E2	1259		
IDXM7142T	206	1,444	E2	142		
IDXM7144T	206	1,717	E2	158		
IDXM7147T	206	2,159	E2	228		
IDXM7170T	206	2,961	E2	196		
IDXM7542T	206	1,515	E2	141		
IDXM7544T	206	2,207	E2	212		
IDXM7547T	206	3,103	E2	225		
IDXM7554T	206	4,504	E2	381		

Catalog Number	Page Number	List Price	Mult Sym	Ship Wgt (1)	Type	Alternate Cat Number (2)
IDXM7556T	206	5,462	E2	523	1044M	
IDXM7558T	206	6,577	E2	742		
IDXM7560T	206	7,654	E2	747		
IDXM7562T	206	8,562	E2	913	1452M	
IDXM7564T	206	10,681	E2	971		
IDXM7566T	206	12,652	E2	1265		
IDXM7570T	206	3,473	E2	378		
IM3540A	136	613	K	41		
IM3540A-P	136	595	K	38		
IR3507M	138	541	K	37		
IR3510M	138	587	K	40		
IR3603M	138	1,171	L1	65		IR3605M
IR3605M	138	1,218	L1	75		
J2L145A	113	223	C1	21		JL145A
J2L325A	113	241	C1	23		JL245A
J2L345A	113	294	C1	26		JL325A
JL1303A	97	256	K	26		CJL1303A
JL1306A	97	336	K	28		CJL1306A
JL1309A	97	348	K	33		CJL1309A
JL1313A	97	486	K	37		CJL1313A
JL1317A	97	599	K	43		CJL1317A
JL1319A	97	524	K	39		
JL1322A	97	581	K	47		
JL1323A	97	616	K	52		JL825A
JL145A	112	210	C1	20		JL525A
JL2250A	113	206	C1	24	1716L	
JL225A	112	206	C1	21		CJL1205A
JL2450A	113	244	C1	26	1714L	
JL245A	112	244	C1	24		CJL1301A
JL3250A	113	227	C1	26	1720L	
JL325A	112	227	C1	24		CJL1303A
JL3405A	97	263	K	23		
JL345A	112	279	C1	22		CJL1304A
JL3501A	97	328	K	21		
JL3503A	97	301	K	25		
JL3504A	97	382	K	26		
JL3506A	97	359	K	28		
JL3507A	97	453	K	32		
JL3509A	97	439	K	41		
JL3510A	97	520	K	42		
JL3513A	97	520	K	44		
JL3514A	97	571	K	49		
JL3515A	97	612	K	54		
JL3516A	97	650	K	50		
JL425A	112	259	C1	24		CJL1306A
JL445A	112	311	C1	25	1728L	CJL1307A
JL5003A	100	581	K	37		
JL5006A	100	650	K	40		
JL5009A	100	697	K	48		
JL5030	100	897	K	52		
JL5031	100	974	K	59		
JL525A	112	294	C1	25		CJL1309A

(1) Shipping weight is approximate.

(2) Baldor has suggested alternate products, however there may be slight differences in performance, efficiency, voltage range, dimensions and mounting. Customers should verify suitability of selected products for their specific application.

Gearmotors and Gear Products

Motor Accessories

Grinders

Generators

Servo Motors and Controls

Mod Express

Baldor Education Workshops

Warranties and Sales Policies

Cross Reference and Index

Baldor Sales Offices

Catalog Number	Page Number	List Price	Mult Sym	Ship Wgt <sup>(1)</sup>	Type	Alternate Cat Number <sup>(2)</sup>
JL545A	112	367	C1	31		
JL625A	112	355	C1	42		CJL1313A
JL725A	112	427	C1	44		CJL1317A
JL825A	112	489	C1	52		
JM225	99	216	K	23	1708M	
JM2250	98	236	K	16		
JM245	99	228	K	26	1712M	
JM2450	98	260	K	18	1712M	
JM3006	99	269	K	19		JM225
JM3104	99	294	K	21		JM245
JM3107	99	284	K	22		JM3111
JM3108	99	340	K	22		JM345
JM3111	99	337	K	23		JM3115
JM3112	99	375	K	26		JM445
JM3115	99	375	K	26		JM3120
JM3116	99	411	K	29		JM545
JM3120	99	448	K	30		JM3155
JM3154	99	490	K	33	3432M	
JM3155	99	532	K	34		JM3158
JM3157	99	537	K	28		
JM3158	99	631	K	41		JM3559
JM3161	99	694	K	48		
JM325	99	236	K	22	1710M	
JM345	99	263	K	20	1716M	
JM3450	98	308	K	20	1716M	
JM3457	98	295	K	19		
JM3458	98	320	K	21		
JM3460	98	320	K	21		JM3463
JM3461	98	377	K	22		
JM3463	98	349	K	23		JM3545
JM3542	98	406	K	26		
JM3545	98	417	K	26		JM3550
JM3546	98	432	K	31		
JM3550	98	432	K	31		JM3555
JM3554	98	475	K	32		
JM3555	98	548	K	40		JM3559
JM3558	98	530	K	41		
JM3559	98	595	K	44		
JM425	99	247	K	23	1716M	
JM4250	98	258	K	24	1718M	
JM445	99	313	K	23	1720M	
JM4450	98	295	K	26		
JM525	99	281	K	27	1718M	
JM5250	98	328	K	24	1720M	
JM545	99	320	K	31	1724M	
JM5450	98	348	K	25	1724M	
JM625	99	301	K	25	1724M	
JM7013	100	772	K	30		
JM7018	100	788	K	40		
JM7071	100	825	K	48		
JML1406T	102	831	L1	70		JML3606T
JML1408T	102	953	L1	77		

Catalog Number	Page Number	List Price	Mult Sym	Ship Wgt <sup>(1)</sup>	Type	Alternate Cat Number <sup>(2)</sup>
JML1409T	102	1,174	L1	78		JML3608T
JML1508T	102	1,352	L1	118	3727L	
JML1509T	102	1,684	L1	116		
JML1510T	102	1,781	L1	137		
JML1511T	102	2,071	L1	139		
JML1512T	102	2,204	L1	155		
JML3606T	102	871	L1	78		
JML3608T	102	1,161	L1	91		
JMM2333T	104	2,216	L1	233	0746M	
JMM2333T-5	173	2,216	L1	203		
JMM2334T	104	2,346	L1	280	0760M	
JMM2394T	104	2,273	L1	219		
JMM2394T-5	173	2,273	L1	192	0750M	
JMM2513T	105	1,597	L1	190		JMM2333T
JMM2514T	106	1,919	L1	213		
JMM2515T	106	1,937	L1	208		JMM2334T
JMM2516T	106	2,377	L1	177		
JMM2531T	106	2,400	L1	290		
JMM2534T	106	2,438	L1	286		
JMM2535T	106	2,751	L1	314		
JMM2538T	106	3,582	L1	331		
JMM2539T	106	3,568	L1	409		
JMM2542T	106	3,897	L1	377	4040M	
JMM2543T	106	4,059	L1	378		
JMM2546T	106	4,850	L1	403		
JMM3116T	105	473	L1	31		JMM3546T
JMM3120T	105	492	L1	35		JMM3550T
JMM3154T	105	467	L1	38	3519M	JMM3554T
JMM3155T	105	545	L1	34		JMM3555T
JMM3157T	105	534	L1	38	3520M	JMM3558T
JMM3158T	105	578	L1	43		JMM3559T
JMM3158T-5	173	578	L1	45		
JMM3211T	105	573	L1	60		JMM3611T
JMM3211T-5	173	573	L1	60		
JMM3212T	105	650	L1	62		
JMM3212T-5	173	650	L1	62		
JMM3218T	105	620	L1	64		JMM3615T
JMM3218T-5	173	620	L1	66	3628M	
JMM3219T	105	795	L1	69		JMM3616T
JMM3219T-5	173	795	L1	70	3627M	
JMM3311T	105	900	L1	101	3723M	JMM3710T
JMM3311T-5	173	900	L1	100		
JMM3312T	105	1,081	L1	96		
JMM3312T-5	173	1,081	L1	92		
JMM3313T	105	1,069	L1	110		JMM3714T
JMM3313T-5	173	1,069	L1	110		
JMM3314T	105	1,453	L1	117		JMM3713T
JMM3314T-5	173	1,453	L1	113	3729M	
JMM3546T	103	512	L1	36		JMWDM3546T
JMM3546T-5	173	512	L1	34		
JMM3550T	103	537	L1	37	3516M	
JMM3550T-5	173	537	L1	36		

(1) Shipping weight is approximate.

(2) Baldor has suggested alternate products, however there may be slight differences in performance, efficiency, voltage range, dimensions and mounting. Customers should verify suitability of selected products for their specific application.

Catalog Number	Page Number	List Price	Mult Sym	Ship Wgt <sup>(1)</sup>	Type	Alternate Cat Number <sup>(2)</sup>
JMM3554T	103	537	L1	38		JMM3558T
JMM3554T-5	173	537	L1	37		
JMM3555T	103	599	L1	45		JMM3559T
JMM3555T-5	173	599	L1	41		
JMM3558T	103	561	L1	47	3521M	JMWDM3558T
JMM3558T-5	173	561	L1	44		
JMM3559T	103	672	L1	50		
JMM3559T-5	173	672	L1	50		
JMM3610T	103	697	L1	53		
JMM3610T-5	173	697	L1	60		
JMM3611T	103	672	L1	69		JMWDM3611T
JMM3611T-5	173	672	L1	63		
JMM3613T	103	860	L1	76		JMM3616T
JMM3613T-5	173	860	L1	75	3630M	
JMM3615T	103	751	L1	78		JMWDM3615T
JMM3615T-5	173	751	L1	79		
JMM3616T	103	973	L1	91		JMWDM3616T
JMM3616T-5	173	973	L1	88	3640M	
JMM3709T	103	1,096	L1	109		
JMM3710T	103	961	L1	124	3727M	JMWDM3710T
JMM3710T-5	173	961	L1	122		
JMM3711T	103	1,311	L1	131	3730M	JMM3713T
JMM3711T-5	173	1,311	L1	127	3732M	
JMM3713T	104	1,728	L1	159		JMWDM3713T
JMM3713T-5	173	1,728	L1	151	3750M	
JMM3714T	103	1,213	L1	137	3740M	JMWDM3714T
JMM3714T-5	173	1,213	L1	134		
JMM4103T	104	2,742	L1	372		
JMM4104T	104	3,378	L1	335		
JMM4106T	104	2,501	L1	260		
JMM4107T	104	2,810	L1	378	0940M	
JMM4108T	104	3,677	L1	380		
JMM4109T	104	4,414	L1	511		
JMM4110T	104	4,255	L1	535		
JMM4114T	104	4,815	L1	470		
JMM4115T	104	4,988	L1	550		
JMM7026T	107	1,142	L1	84		
JMM7045T	107	2,035	L1	146		
JMM7072T	107	1,544	L1	101		
JMM7073T	107	1,736	L1	118		
JMM7074T	107	2,305	L1	171		
JMM7075T	107	1,142	L1	65		
JMWDM3546T	107	743	WD	42		JMWDM3554T
JMWDM3550T	107	778	WD	37	3516M	JMWDM3555T
JMWDM3554T	107	778	WD	49		JMWDM3558T
JMWDM3555T	107	865	WD	44		JMWDM3559T
JMWDM3558T	107	813	WD	44	3528M	
JMWDM3559T	107	973	WD	49		
JMWDM3611T	107	973	WD	56		JMWDM3615T
JMWDM3613T	107	1,248	WD	77		JMWDM3616T
JMWDM3615T	107	1,089	WD	85		
JMWDM3616T	107	1,414	WD	94		

Catalog Number	Page Number	List Price	Mult Sym	Ship Wgt <sup>(1)</sup>	Type	Alternate Cat Number <sup>(2)</sup>
JMWDM3710T	107	1,393	WD	123	3727M	JMWDM3714T
JMWDM3711T	107	1,900	WD	132	3730M	JMWDM3713T
JMWDM3713T	107	2,264	WD	154	3744M	
JMWDM3714T	107	1,760	WD	141	3740M	
JPL1406T	102	831	L1	71		
JPL1408T	102	953	L1	81		
JPL1409T	102	1,174	L1	84		
JPL1508T	102	1,352	L1	124	3727L	
JPL1509T	102	1,684	L1	118		
JPL1510T	102	1,781	L1	140		
JPL1511T	102	2,071	L1	145		
JPL1512T	102	2,204	L1	157	3744LC	
JPM2333T	104	2,216	L1	236		
JPM2334T	104	2,346	L1	283	0760M	JPM2515T
JPM2394T	104	2,273	L1	223		JPM2514T
JPM2513T	105	1,597	L1	156		JPM2333T
JPM2514T	106	1,919	L1	209		
JPM2515T	106	1,937	L1	217		
JPM2516T	106	2,377	L1	177		
JPM2531T	106	2,400	L1	303		JPM4103T
JPM2534T	106	2,438	L1	307		
JPM2535T	106	2,751	L1	322		
JPM2538T	106	3,582	L1	342		
JPM2539T	106	3,568	L1	367	4040M	
JPM2542T	106	3,897	L1	367	4040M	
JPM2543T	106	4,059	L1	408		
JPM2547T	106	4,611	L1	505		
JPM2551T	106	6,055	L1	528		
JPM3116T	105	473	L1	33	3514M	
JPM3154T	105	467	L1	36		JPM3554T
JPM3157T	105	534	L1	39		JPM3558T
JPM3158T	105	578	L1	44		JPM3559T
JPM3211T	105	573	L1	62		JPM3611T
JPM3212T	105	650	L1	63		
JPM3218T	105	620	L1	66		JPM3615T
JPM3219T	105	795	L1	71		JPM3616T
JPM3311T	105	900	L1	103	3723M	JPM3710T
JPM3312T	105	1,081	L1	97		
JPM3313T	105	1,069	L1	119	3733M	JPM3714T
JPM3314T	105	1,453	L1	124		JPM3713T
JPM3554T	103	537	L1	39		JPM3558T
JPM3555T	103	599	L1	45		JPM3559T
JPM3558T	103	561	L1	47		JPWDM3558T
JPM3559T	103	672	L1	51		
JPM3610T	103	697	L1	55		
JPM3611T	103	672	L1	74		JPWDM3611T
JPM3613T	103	860	L1	77		JPM3616T
JPM3615T	103	751	L1	82		JPWDM3615T
JPM3616T	103	973	L1	91		JPWDM3616T
JPM3709T	103	1,096	L1	110		
JPM3710T	103	983	L1	124	3727M	JPWDM3710T
JPM3711T	103	1,311	L1	133	3730M	JPM3713T

<sup>(1)</sup> Shipping weight is approximate.

<sup>(2)</sup> Baldor has suggested alternate products, however there may be slight differences in performance, efficiency, voltage range, dimensions and mounting. Customers should verify suitability of selected products for their specific application.

Gearmotors and Gear Products

Motor Accessories

Grinders

Generators

Servo Motors and Controls

Mod Express

Baldor Education Workshops

Warranties and Sales Policies

Cross Reference and Index

Baldor District Offices

Gearmotors and Gear Products

Motor Accessories

Grinders

Generators

Servo Motors and Controls

Mod Express

Baldor Education Workshops

Warranties and Sales Policies

Cross Reference and Index

Baldor Sales Offices

Catalog Number	Page Number	List Price	Mult Sym	Ship Wgt <sup>(1)</sup>	Type	Alternate Cat Number <sup>(2)</sup>
JPM3713T	104	1,728	L1	154		
JPM3714T	103	1,213	L1	140	3740M	
JPM4103T	104	2,742	L1	310		
JPM4104T	104	3,378	L1	322		
JPM4106T	104	2,501	L1	261		
JPM4107T	104	2,810	L1	282		
JPM4108T	104	3,677	L1	297		
JPM4109T	104	4,414	L1	519		
JPM4110T	104	4,255	L1	500		
JPM4114T	104	4,815	L1	550		
JPM4115T	104	4,988	L1	556		
JSC225A	101	313	K	17	1712C	
JSC325A	101	324	K	22	1716C	
JSC425A	101	346	K	26	1720C	
JSC525A	101	360	K	26	1724C	
JSC625A	101	392	K	43	1928C	
JSC725A	101	423	K	49	1932C	
JSCH325A	101	325	K	22		
JSCH425A	101	346	K	26		
JSCH525A	101	361	K	26		
JSCH625A	101	392	K	43		
JSCH725A	101	423	K	49		
JSL225A	100	318	K	21	1713L	
JSL325A	100	316	K	21		JSL1303A
JSL425A	100	335	K	26	1720L	JSL1306A
JSL525A	100	358	K	33	1724L	JSL1309A
JSL625A	100	533	K	41		JSL1313A
JSL725A	100	535	K	47	1924L	JSL1317A
JSM3107	100	284	K	21		JSM325
JSM3111	100	336	K	23		JSM425
JSM3115	100	372	K	28		JSM525
JSM3120	100	444	K	30		JSM625
JSM3155	100	526	K	34		JSM725
K18G0060	396	213	P1	9		
K18G19	396	152	P1	3		
K18G2	396	152	P1	290		
K18G21	396	102	P1	10		
K18G3	387	154	A8	13		
K18G5	387	161	A8	15		
K18G50	396	277	P1			
K18G6	389	470	A8	18		
K18G7	396	86	P1	80		
K21G18	396	379	P1	17		
K21G19	396	191	P1	2		
K21G2	396	191	P1	19		
K21G3	387	192	A8	16		
K21G50	396	379	P1	22		
K21G6	389	576	A8	128		
K21G7	396	86	P1	12		
K25G0060	396	250	P1	32		
K25G18	396	517	P1	37		
K25G2	387	328	A8	26		

Catalog Number	Page Number	List Price	Mult Sym	Ship Wgt <sup>(1)</sup>	Type	Alternate Cat Number <sup>(2)</sup>
K25G23	396	112	P1	8		
K25G3	396	462	P1	30		
K25G50	396	517	P1	115		
K25G8	396	115	P1	19		
K28G0060	396	250	P1	29		
K28G18	396	609	P1	59		
K28G2	387	381	A8	38		
K28G23	396	131	P1	8		
K28G3	396	554	P1	307		
K28G50	396	609	P1	39		
K28G8	396	115	P1	106		
K28G9	396	223	P1	82		
K32G0060	396	342	P1	38		
K32G18	396	665	P1	83		
K32G2	387	469	A8	45		
K32G23	396	139	P1	24		
K32G50	396	665	P1	191		
K32G8	396	228	P1	35		
K36G0060	396	517	P1	42		
K36G16	396	260	P1	158		
K36G18	396	1,071	P1	897		
K36G2	387	608	A8	69		
K36G50	396	1,071	P1	629		
K36G8	396	228	P1	36		
K36G9	396	250	P1	25		
K40G2	387	905	A8	113		
K40G3	396	277	P1	23		
K40G8	396	250	P1	35		
K40G9	396	277	P1	30		
K44G0060	396	582	P1	75		
K44G5	396	591	P1	122		
K44G8	396	277	P1	50		
K44G9	396	297	P1	136		
K49G0060	396	970	P1	138		
K56G3233	396	94	P1	78		
K56H3055	387	58	A8	1		
K56H3260	396	145	P1	6		
K99G70	202	1,337	E8	9		
K99G71	202	1,337	E8	9		
K99G72	202	1,337	E8	6		
K99G73	202	1,337	E8	6		
K99G74	202	1,337	E8	6		
K99G75	202	1,337	E8	6		
K99G76	202	1,337	E8	6		
K99G77	202	1,337	E8	6		
K99G78	202	1,504	E8	8		
K99G79	202	1,504	E8	8		
K99G80	202	1,337	E8	6		
K99G81	202	1,337	E8	6		
KBL3406	157	775	K	28		KBL3409
KBL3409	157	851	K	33		VBL3507
KBM3454	157	701	K	26		KBM3458

(1) Shipping weight is approximate.

(2) Baldor has suggested alternate products, however there may be slight differences in performance, efficiency, voltage range, dimensions and mounting. Customers should verify suitability of selected products for their specific application.

Catalog Number	Page Number	List Price	Mult Sym	Ship Wgt <sup>(1)</sup>	Type	Alternate Cat Number <sup>(2)</sup>
KBM3458	157	745	K	28		VBM3538
KENM3454	48	431	K	30	3513M	
KENM3534	48	476	K	31	3516M	
KENM3535	48	700	K	35	3520M	
KL1200	37	251	K	18		KL1203
KL1203	37	256	K	20		KL3403
KL1205	37	243	K	21		KL1205A
KL1205A	37	249	K	21		VL1303A
KL3400	34	297	K	18		KL3403
KL3401	34	415	K	23		
KL3403	34	305	K	20		VL3501
KL3405	34	281	K	21		VL3503
KM3003	57	261	K	19		VM3104
KM3006	57	267	K	20		VM3107
KM3454	48	277	K	19		VM3534
KM3454-50	187	303	K	19		VM3534-50
KM3457	48	282	K	20	3410M	VM3537
KNM3454	48	292	K	19		KNM3534
KNM3457/35	48	455	K	33	3513M	
KNM3534	48	323	K	22		
KNM3534/35	48	408	K	21		
L1177T	33	4,941	L1	322	0956LC	
L1200	35	235	K	18		L1203
L1201	35	359	K	23		L3401
L1203	35	238	K	19	3414L	L1203M
L1203M	35	274	K	20		L3403M
L1204	35	384	K	25		L3404
L1205	35	225	K	20		L3405
L1205-50	185	259	K	22		L1208-50
L1206	35	274	K	21		L1206M
L1206-50	185	316	K	24		L1209-50
L1206M	35	308	K	22		L3406M
L1207	35	409	K	28		L3407
L1208	35	249	K	22		L3408
L1208-50	185	285	K	26		
L1209	35	344	K	24		L1209M
L1209-50	185	397	K	28		L3409-50
L1209M	35	383	K	24		L3409M
L1300	35	399	K	26		L3500
L1301	35	277	K	22		L3501
L1301M	35	324	K	22		L3501M
L1302	35	409	K	29		L3502
L1303	35	249	K	21		L3503
L1304	35	306	K	24		L1304A
L1304-50	185	360	K	29		L3504-50
L1304A	35	364	K	25		L3504M
L1304M	35	383	K	25		L3504A
L1305	35	616	K	38		L3505
L1306	35	304	K	26		L1306A
L1306-50	185	348	K	29		L3506-50
L1306A	35	320	K	29		L1309A
L1307	35	378	K	32		L1307A

Catalog Number	Page Number	List Price	Mult Sym	Ship Wgt <sup>(1)</sup>	Type	Alternate Cat Number <sup>(2)</sup>
L1307-50	185	445	K	35		L3507-50
L1307A	35	444	K	32		L1307M
L1307M	35	455	K	32		L1307A
L1308	35	693	K	42		
L1309	35	319	K	31		L1309A
L1309-50	185	366	K	35		L3509-50
L1309A	35	340	K	30		L1313A
L1310	35	413	K	34		L3510
L1310M	35	529	K	36		L3510M
L1313	36	448	K	34		L1313A
L1313-50	185	514	K	40		L3513-50
L1313A	36	468	K	40		L1317A
L1313T	36	448	L1	37		L3513T
L1317	36	595	K	43		L1317A
L1317-50	185	685	K	44		L3515-50
L1317A	36	612	K	40		L3515M
L1318	35	452	K	39		L1318M
L1318-50	185	542	K	39		L3510-50
L1318M	35	492	K	39		L3510M
L1318T	35	471	L1	42		L1318TM
L1318TM	35	492	L1	39		L3510TM
L1319	36	534	K	41		L1319M
L1319-50	185	626	K	37		L3514-50
L1319M	36	595	K	39		L3514M
L1319T	36	504	L1	39		L1321T
L1320T	36	638	L1	46		L3515T
L1321T	36	605	L1	45		L1321TM
L1321TM	36	656	L1	45		L3514TM
L1322T	36	617	L1	48		L1322TM
L1322TM	36	671	L1	45		
L1401	35	672	L1	50		L1401M
L1401M	35	729	L1	48		L1401
L1403	36	750	L1	56		L1403M
L1403M	36	795	L1	56		L3605M
L1405	36	788	L1	64		L3605
L1405T	36	633	L1	65		L3605T
L1405T-50	185	727	L1	65		L3605T-50
L1406T	36	726	L1	65		L3606T
L1407	35	1,179	L1	63		L3607
L1408T	36	684	L1	73		L1408TM
L1408T-50	185	786	L1	89		L3609T-50
L1408TM	143, 36	806	L1	78		L3609TM
L1409T	36	863	L1	76		L3608T
L1410T	36	810	LS	86		L1410TM
L1410TM	143, 36	981	L1	84		L3612TM
L1413	145	1,068	L1	51		
L1414	145	1,248	L1	56		
L1430T	36	743	L1	79	3634LC	
L1430TM	36	981	L1	84		
L1502	36	1,353	L1	82		
L1503	36	1,842	L1	104		L3703
L1505	36	1,499	L1	102		L3705

<sup>(1)</sup> Shipping weight is approximate.

<sup>(2)</sup> Baldor has suggested alternate products, however there may be slight differences in performance, efficiency, voltage range, dimensions and mounting. Customers should verify suitability of selected products for their specific application.

Gearmotors and Gear Products

Motor Accessories

Grinders

Generators

Servo Motors and Controls

Mod Express

Baldor Education Workshops

Warranties and Sales Policies

Cross Reference and Index

Baldor District Offices



Catalog Number	Page Number	List Price	Mult Sym	Ship Wgt <sup>(1)</sup>	Type	Alternate Cat Number <sup>(2)</sup>
L1506	36	2,153	L1	111		L3706
L1508T	36	1,069	L1	113	3727L	L3708T
L1508T-50	185	1,231	L1	113	3728LC	L3708T-50
L1509T	36	1,334	L1	101		L3709T
L1510T	36	1,161	L1	134		L3710T
L1511T	36	1,683	L1	130		L3711T
L1512T	36	1,695	L1	140	3736LC	L3712T
L3	406	22	A8	1		
L3351	32	249	K	15		L3353
L3352	32	255	K	15		L3354
L3353	32	258	K	16		L3355
L3354	32	267	K	16		L3356
L3355	32	282	K	18		
L3356	32	285	K	18		
L3400	32	281	K	18		L3403
L3401	32	397	K	23		L3404
L3403	32	289	K	20		L3403M
L3403M	32	331	K	20		L3406M
L3404	32	423	K	26		L3407
L3405	32	263	K	20		L3408
L3406	32	306	K	21		L3406M
L3406M	32	348	K	22		L3409M
L3407	32	465	K	27		
L3408	32	298	K	21		
L3409	32	341	K	26		L3409M
L3409-50	185	400	K	32		
L3409M	32	409	K	27		
L3500	32	444	K	27		L3502
L3501	32	297	K	22		L3501M
L3501-50	185	351	K	25		L3504-50
L3501M	32	348	K	22		FDL3501M
L3502	32	465	K	29		
L3503	32	298	K	22		L3506
L3503-50	185	343	K	27		L3506-50
L3504	32	348	K	27		L3504A
L3504-50	185	400	K	33		L3507-50
L3504A	32	416	K	27		L3504M
L3504M	32	409	K	27		FDL3504M
L3505	32	660	K	39		L3508
L3506	32	335	K	29		
L3506-50	185	384	K	35		L3509-50
L3507	32	401	K	34		L3507A
L3507-50	185	475	K	38		L3510-50
L3507A	32	503	K	34		
L3507M	32	481	K	34		
L3508	32	763	K	41		
L3508T	32	751	L1	41		
L3509	33	388	K	37		L3509M
L3509-50	185	447	K	41		L3513-50
L3509M	33	439	K	40		L3513M
L3510	33	455	K	40		L3510A
L3510-50	185	547	K	43		L3514-50

Catalog Number	Page Number	List Price	Mult Sym	Ship Wgt <sup>(1)</sup>	Type	Alternate Cat Number <sup>(2)</sup>
L3510A	33	565	K	37		FDL3510M
L3510M	33	546	K	37		L3510A
L3510T	33	464	L1	37		L3510TM
L3510TM	33	546	L1	37		FDL3510TM
L3513	33	520	K	41		L3513A
L3513-50	185	588	K	46		L3515-50
L3513M	33	596	K	45		L3513A
L3513T	33	511	L1	41		
L3514	33	526	K	48		L3514A
L3514-50	185	618	K	47		
L3514A	33	670	K	45		L3514M
L3514M	33	617	K	50		FDL3514M
L3514T	33	534	L1	48		L3514TM
L3514T-50	185	618	L1	50		
L3514TM	33	617	L1	48		FDL3514TM
L3515	33	664	K	54		L3515M
L3515-50	185	765	K	52		
L3515M	33	696	K	51		L1317A
L3515T	33	670	L1	51		CL3515T
L3516T	33	853	L1	48		
L3516TM	143, 33	877	K	48		FDL3516TM
L3565M	145	696	K	38		L3566M
L3566M	145	756	K	40		L3567M
L3567M	145	917	K	50		
L3576M	145	585	K	36		L3565M
L3601	33	838	L1	54		
L3603	33	913	L1	66		L3605
L3605	33	1,022	L1	66		L3605M
L3605M	33	1,095	L1	67		FDL3611M
L3605T	33	762	L1	67		L3605TM
L3605T-50	185	875	L1	78		
L3605TM	33	929	L1	71		FDL3611TM
L3606	33	1,442	L1	70		
L3606T	33	786	L1	73		
L3607	33	1,339	L1	71		
L3608T	33	1,082	L1	89		L3608TM
L3608TM	143, 33	1,116	L1	86		CL3608TM
L3609T	33	897	L1	79		
L3609T-50	185	1,029	L1	92		
L3609TM	143, 33	969	L1	76		FDL3619TM
L3612TM	143, 33	1,127	L1	99		
L3613T	33	1,395	L1	75		
L3703	33	2,211	L1	114		L3706
L3705	33	1,743	L1	116		L3708
L3706	33	2,655	L1	132	3726LC	
L3708	33	1,782	L1	130		FDL3731M
L3708T	33	1,069	L1	117		L3708TM
L3708T-50	185	1,231	L1	132	3730LC	
L3708TM	33	1,257	L1	135		
L3709T	33	1,393	L1	121		
L3710T	33	1,413	L1	138		L3712T
L3711T	33	1,709	L1	145		

(1) Shipping weight is approximate.

(2) Baldor has suggested alternate products, however there may be slight differences in performance, efficiency, voltage range, dimensions and mounting. Customers should verify suitability of selected products for their specific application.

Catalog Number	Page Number	List Price	Mult Sym	Ship Wgt <sup>(1)</sup>	Type	Alternate Cat Number <sup>(2)</sup>
L3712T	33	1,734	L1	161		
L4	406	24	A8	1		
L4003A	87	465	K	27		
L4005A	87	412	K	28		
L4006A	87	599	K	29		
L4009A	87	660	K	36	3424L	
L5000A	87	444	K	27		
L5000A-C	87	553	K	29		
L5001A	87	571	K	29		
L5002A	87	809	K	41		
L5003A	87	541	K	30		
L5004A	87	629	K	35		
L5004A-C	87	738	K	36		
L5005A	87	932	K	50		
L5006A	87	611	K	40		
L5007A	87	740	K	48		
L5007A-C	87	848	K	48		
L5009A	87	660	K	48		
L5013	87	1,714	L1	75		
L5018	87	2,743	L1	152		
L5020	87	3,489	L1	171		
L5022	87	1,077	K	57		
L5023A	87	842	K	45		
L5023A-C	87	950	K	45		
L5023T	87	825	L1	48		
L5026	87	1,846	L1	79		
L5027T	87	1,737	L1	81		
L5028T	87	1,805	L1	81		
L5030T	87	956	L1	53		
L5031T	87	1,182	L1	60		
L7	406	45	A8	1		
LB73	355, 391	40	A8	2		
LB73GR	355, 391	40	A8	2		
LB74	355, 391	57	A8	2		
LB75	355, 391	79	A8	7		
LPL50	406	409	G1	43		LPL75
LPL75	406	499	G1	48		
LRAC00201	263, 264	246	E8	4		
LRAC00202	263, 264	273	E8	4		
LRAC00401	263, 264	292	E8	9		
LRAC00402	263, 264	310	E8	4		
LRAC00403	263, 264	424	E8	4		
LRAC00801	263, 264	292	E8	3		
LRAC00802	263, 264	362	E8	7		
LRAC00803	263, 264	478	E8	10		
LRAC01201	263, 264	472	E8	10		
LRAC01202	263, 264	499	E8	9		
LRAC01801	263, 264	495	E8	4		
LRAC01802	263, 264	522	E8	10		
LRAC02501	263, 264	595	E8	11		
LRAC02502	263, 264	823	E8	13		
LRAC03501	263, 264	631	E8	19		

Catalog Number	Page Number	List Price	Mult Sym	Ship Wgt <sup>(1)</sup>	Type	Alternate Cat Number <sup>(2)</sup>
LRAC03502	263, 264	875	E8	15		
LRAC04501	263, 264	665	E8	23		
LRAC04502	263, 264	704	E8	27		
LRAC05501	263, 264	706	E8	25		
LRAC05502	263	980	E8	29		
LRAC08002	263, 264	869	E8	33		
LRAC080BTB	263, 264	824	E8	31		
LRAC110ACB2	263	1,130	E8	55		
LRAC110BCB	263, 264	1,069	E8	39		
LRAC130ACB2	263, 264	1,510	E8	54		
LRAC130BCB	263, 264	1,434	E8	30		
LRAC160ACB2	263, 264	1,759	E8	54		
LRAC160BCB	263, 264	1,667	E8	47		
LRAC200ACB	263, 264	2,059	E8	68		
LRAC250ACB2	264	2,686	E8	128		
LRAC360ACB2	263, 264	2,881	E8	127		
LRAC420ACB2	263, 264	3,069	E8	128		
LRAC480ACB2	263, 264	4,675	E8	127		
LRAC600ACB	263	5,649	E8	245		
LRENC-13	264	362	E8	16		
LRENC-15	264	544	E8	35		
LRENC-20S	264	729	E8	50		
LRENC-8	264	184	E8	12		
M1004T	142	640	L1	33		
M1005T	142	664	L1	35		
M1006T	142	768	L1	40		
M1007T	142	825	L1	56		
M1008T	142	993	L1	69		
M1009T	142	1,418	L1	111		
M1010T	142	1,608	L1	131		
M1019	142	686	K	34		
M1020T	142	740	L1	39		
M1021T	142	897	L1	56		
M1022T	142	1,023	L1	62		
M1023T	142	1,191	L1	69		
M1024T	142	1,834	L1	113		
M1025T	142	2,438	L1	211	3740M	
M11042-57	179	1,064	L1	98	0634M	
M11044-57	179	878	L1	113	0643M	
M1204T	142	640	L1	30		
M1205T	142	664	L1	35		
M1206T	142	768	L1	38		
M1207T	142	825	L1	57		
M1208T	142	993	L1	72		
M1209T	142	1,418	L1	112		
M1210T	142	1,608	L1	130		
M1211T	142	2,259	L1	234	3936M	
M1212T	142	2,769	L1	232		
M1213T	142	3,249	L1	312		
M1218	142	654	K	30		
M1219	142	686	K	34		
M1220T	142	740	L1	39		

<sup>(1)</sup> Shipping weight is approximate.

<sup>(2)</sup> Baldor has suggested alternate products, however there may be slight differences in performance, efficiency, voltage range, dimensions and mounting. Customers should verify suitability of selected products for their specific application.

Gearmotors and Gear Products

Motor Accessories

Grinders

Generators

Servo Motors and Controls

Mod Express

Baldor Education Workshops

Warranties and Sales Policies

Cross Reference and Index

Baldor District Offices

Gearmotors and Gear Products

Catalog Number	Page Number	List Price	Mult Sym	Ship Wgt <sup>(1)</sup>	Type	Alternate Cat Number <sup>(2)</sup>
M1221T	142	897	L1	56		
M1222T	142	1,023	L1	64		
M1223T	142	1,191	L1	69		
M1224T	142	1,834	L1	113		
M1225T	142	2,438	L1	209	3740M	
M1226T	142	2,755	L1	237	3750M	
M1227T	142	3,342	L1	318		
M1228T	142	4,483	L1	348		
M1229T	142	4,813	L1	349		
M13062-58	179	1,211	L1	168		
M13064-58	179	1,173	L1	178		
M13082-58	179	1,455	L1	198		
M13084-58	179	1,261	L1	196		
M1504T	140	953	L1	36		
M1505T	140	1,006	L1	46		
M1506T	140	1,222	L1	65		
M1507T	140	1,384	L1	82		
M1508T	140	1,809	L1	135	3744M	
M1509T	140	2,355	L1	130	3754M	
M1510T	140	3,628	L1	276	0940M	
M1519	140	742	K	34		
M1520T	140	775	L1	38		
M1521T	140	958	L1	56		
M1522T	140	1,098	L1	64		
M1523T	140	1,285	L1	71		
M1524T	140	2,014	L1	114	3740M	
M1554T	140	671	L1	31		
M1555T	140	698	L1	38		
M1556T	140	811	L1	39		
M1557T	140	872	L1	65		
M1558T	140	1,110	L1	83		
M1559T	140	1,578	L1	125	3744M	
M16112-58	179	1,995	L1	282	0940M	
M16114-58	179	1,790	L1	286		
M16152-58	179	2,183	L1	294	0948M	
M16154-58	179	2,142	L1	315		
M16192-58	179	2,750	L1	310	0954M	
M1704T	140	953	L1	36		
M1705T	140	1,006	L1	45		
M1706T	140	1,222	L1	65		
M1707T	140	1,384	L1	84		
M1708T	140	1,809	L1	112		
M1709T	140	2,355	L1	131	3754M	
M1710T	140	3,628	L1	275	0940M	
M1711T	140	4,201	L1	265		
M1712T	140	5,338	L1	389		
M1713T	140	6,480	L1	396	1048M	
M1718	141	691	K	30		
M1719	141	765	K	34		
M1720T	141	775	L1	38		
M1721T	141	958	L1	55		
M1722T	141	1,098	L1	66		

Motor Accessories

Grinders

Generators

Servo Motors and Controls

Mod Express

Baldor Education Workshops

Warranties and Sales Policies

Cross Reference and Index

Baldor Sales Offices

Catalog Number	Page Number	List Price	Mult Sym	Ship Wgt <sup>(1)</sup>	Type	Alternate Cat Number <sup>(2)</sup>
M1723T	141	1,285	L1	73		
M1724T	141	2,014	L1	116	3740M	
M1725T	141	2,604	L1	219		
M1726T	141	2,997	L1	233		
M1727T	141	3,556	L1	356		
M1728T	141	4,823	L1	376		
M1729T	141	5,081	L1	513		
M1754T	140	671	L1	32		
M1755T	140	698	L1	38		
M1756T	140	811	L1	45		
M1757T	140	872	L1	63		
M1758T	140	1,110	L1	81		
M1759T	140	1,563	L1	125	3744M	
M1760T	140	1,841	L1	160		
M1761T	140	2,545	L1	248		
M1762T	140	3,010	L1	339		
M1763T	140	3,492	L1	363		
M18194-58	179	2,627	L1	437		
M18222-58	179	2,977	L1	202	1052M	
M18224-58	179	3,086	L1	470		
M20302-58	179	4,213	L1	625	1260M	
M20304-58	179	4,063	L1	608		
M20372-58	179	4,281	L1	725	1272M	
M2237	41	1,743	L1	242	0924M	
M22374-58	179	4,202	L1	808	1462M	
M2238	41	2,185	L1	270		
M22452-58	179	6,479	L1	808	1458M	
M22454-58	179	6,386	L1	808		
M2275	40	2,047	L1	203	0727M	
M2276	41	2,461	L1	231	0738M	
M2276T	41	1,551	L1	247		EM2276T
M2280T	40	2,660	L1	229		
M2332	41	3,145	L1	320		
M2332T	41	1,726	L1	269		EM2332T
M2333	41	3,009	L1	332		
M2333T	41	1,605	LS	196	0754M	
M2333T-5	164	1,605	LS	242		
M2333T-50	186	1,846	L1	236	0752M	
M2333T-8	160	1,645	L1	222	0748M	EM2333T-8
M2333T-9	73	1,776	L1	239	0944M	
M2334	42	3,601	L1	377	0938M	
M2334T	42	1,939	LS	259		EM2334T
M2334T-12	42	1,997	L1	280		
M2334T-5	164	1,939	LS	265	0760M	
M2334T-50	186	2,228	L1	277		
M2334T-8	160	1,985	L1	261	0938M	EM2334T-8
M2334T-9	73	2,144	L1	280		
M2393	41	1,956	L1	198		
M2394	41	2,029	L1	220		
M2394T	41	1,810	L1	237		EM2394T
M2395T	41	4,737	L1	357	1050M	
M2401T	41	2,933	L1	256		

(1) Shipping weight is approximate.

(2) Baldor has suggested alternate products, however there may be slight differences in performance, efficiency, voltage range, dimensions and mounting. Customers should verify suitability of selected products for their specific application.

Catalog Number	Page Number	List Price	Mult Sym	Ship Wgt <sup>(1)</sup>	Type	Alternate Cat Number <sup>(2)</sup>
M2402T	41	3,406	L1	343	1038M	
M2504T	52	2,108	L1	126		M2280T
M2505	52	1,628	L1	106	3723M	M2237
M2506T	52	1,119	L1	247	3940M	EM2506T
M2508T	52	2,638	L1	255	3946M	M2401T
M2510	52	1,966	L1	177		M2238
M2511T	52	1,448	L1	228	3948M	EM2511T
M2513T	53	1,315	LS	187		EM2513T
M2513T-5	172	1,315	LS	171		EM2513T-5
M2513T-50	186	1,513	L1	192	3750M	
M2513T-8	161	1,348	L1	160	3742M	EM2513T-8
M2514T	53	1,680	L1	167		EM2514T
M2514T-8	161	1,722	L1	191		
M2515T	53	1,694	L1	187		EM2515T
M2515T-12	53	1,736	L1	272		
M2515T-5	172	1,694	L1	221	3766M	EM2515T-5
M2515T-50	186	1,948	L1	213	3938M	
M2515T-8	161	1,736	L1	191	3766M	EM2515T-8
M2516T	53	2,032	L1	202		EM2516T
M2516T-8	161	2,083	L1	201		
M2523	53	2,571	L1	272		M2333
M2524T	53	1,893	L1	289		EM2524T
M2527	53	2,949	L1	295		M2334
M2528T	53	2,322	L1	377		EM2528T
M25304L-2341	55	33,616	LM	4500		
M2531	53	4,040	L1	387		M4103
M2531T	53	2,053	L1	245		EM2531T
M2531T-12	53	2,104	L1	245		
M2531T-5	172	2,053	L1	278		EM2531T-5
M2531T-8	161	2,104	L1	297		EM2531T-8
M2532T	53	3,263	L1	374	4050M	EM2532T
M2534T	53	2,151	L1	261		EM2534T
M2534T-8	161	2,205	L1	251		
M2535	53	4,434	L1	412		M4104
M25352T-4	55	22,845	L1	1599		
M2535T	53	2,401	L1	287		EM2535T
M2535T-12	53	2,460	L1	283		
M2535T-5	172	2,401	L1	280		EM2535T-5
M2535T-8	161	2,460	L1	281		EM2535T-8
M2536T	53	3,438	L1	367		EM2536T
M2538T	53	3,028	L1	320	3946M	EM2538T
M2538T-8	161	3,103	L1	290		
M2539T	53	3,061	L1	354		EM2539T
M2539T-12	53	3,137	L1	392		
M2539T-5	172	3,061	L1	387		EM2539T-5
M2539T-8	161	3,137	L1	341	4044M	EM2539T-8
M25402T-4	55	26,803	L1	2300		
M25404T-4	55	24,497	L1	2059		
M2540T	53	5,045	L1	567		EM2540T
M2542T	53	3,138	L1	386	4044M	EM2542T
M2542T-8	161	3,216	L1	391		
M2543T	53	3,593	L1	413		EM2543T

Catalog Number	Page Number	List Price	Mult Sym	Ship Wgt <sup>(1)</sup>	Type	Alternate Cat Number <sup>(2)</sup>
M2543T-12	53	3,682	L1	390		
M2543T-5	172	3,593	L1	383		EM2543T-5
M2543T-8	161	3,682	L1	427		EM2543T-8
M2543TS-12	53	3,682	L1	382		
M2544T	53	6,074	L1	610		EM2544T
M25452T-4	55	29,514	L1	1819	18120M	
M25454T-4	55	27,705	L1	2229	18144M	
M2546T	54	4,382	L1	389		EM2546T
M2547T	54	4,432	L1	487		EM2547T
M2547T-12	54	4,543	L1	523		
M2547T-5	172	4,432	L1	467		EM2547T-5
M2547TS-12	54	4,543	L1	479		
M2548T	54	7,229	L1	830		EM2548T
M2549T	54	5,230	L1	472		EM2549T
M25504L-2341	55	56,630	LM	4700		
M2550T	54	5,913	L1	561		EM2550T
M2551T	54	5,440	L1	593		EM2551T
M2551T-12	54	5,575	L1	593		
M2551T-5	172	5,440	L1	593		M4316T-5
M2551TS-12	54	5,575	L1	557		
M2552T	54	8,534	L1	610		M4404T
M2554T-4	54	6,886	L1	575	4450M	EM2554T-4
M25552-58	179	7,849	L1	1075		
M25554-58	179	7,768	L1	1200	1682M	
M2555T	54	6,059	L1	797		
M2555T-12	54	6,210	L1	820		
M2555T-5	172	6,059	L1	687		
M2555TS-12	54	6,210	L1	578	4464M	
M2556T-4	54	9,294	L1	612	4464M	M2569T-4
M2557T-4	54	9,873	L1	1321		M2560T-4
M2558T-4	54	9,016	L1	1392		M4406T-4
M2558T-5	172	9,016	L1	1470		
M2558TS-4	54	9,016	L1	1386		
M2559T-4	54	6,966	L1	937		EM2559T-4
M2559T-5	172	6,966	L1	932		
M2559TS-4	54	6,966	L1	725		
M25604L-4	55	49,183	LM	5346	20153M	
M2560T-4	54	10,671	L1	1421		M2564T-4
M2562T-4	54	10,251	L1	1275		EM2562T-4
M2563T-4	54	10,519	L1	1495		M2566T-4
M2564T-4	54	13,584	L1	1522		
M2565T-4	54	12,771	L1	1291		
M2566T-4	54	12,714	L1	1511		M2569T-4
M2568T-4	54	19,962	L1	1378		
M2569T-4	54	16,662	L1	1528		
M2571T-4	55	22,845	L1	1395		
M2572T-4	55	22,571	L1	2039	18144M	
M25754-58	179	9,723	L1	1255	1688M	
M2583T	54	9,226	L1	1312		
M28752-58	179	9,998	L1	1449	1860M	
M28902-58	179	13,571	L1	1275	1856M	
M28904-58	179	13,351	L1	1455	1872M	

<sup>(1)</sup> Shipping weight is approximate.

<sup>(2)</sup> Baldor has suggested alternate products, however there may be slight differences in performance, efficiency, voltage range, dimensions and mounting. Customers should verify suitability of selected products for their specific application.

Gearmotors and Gear Products

Motor Accessories

Grinders

Generators

Servo Motors and Controls

Mod Express

Baldor Education Workshops

Warranties and Sales Policies

Cross Reference and Index

Baldor District Offices

Gearmotors and Gear Products

Motor Accessories

Grinders

Generators

Servo Motors and Controls

Mod Express

Baldor Education Workshops

Warranties and Sales Policies

Cross Reference and Index

Baldor Sales Offices

Catalog Number	Page Number	List Price	Mult Sym	Ship Wgt <sup>(1)</sup>	Type	Alternate Cat Number <sup>(2)</sup>
M3003	51	245	K	18		M3454
M3004	51	397	K	19		M3455
M3006	51	249	K	19		M3457
M3007	51	263	K	20		M3458
M3008	51	388	K	21		M3011
M3009	51	263	K	19		M3460
M3010	51	330	K	22		M3461
M3011	51	429	K	23		
M3012	51	316	K	21		M3463
M3013	51	367	K	25		M3464
M3101	51	397	K	20		M3531
M3104	51	252	LS	20		M3534
M3104-5	172	252	LS	20		M3534-5
M3105	51	415	K	22		M3535
M3107	51	263	K	19		CM3107
M3108	51	287	LS	22		M3538
M3108-5	172	287	LS	22		M3538-5
M3108-50	186	330	K	25		M3538-50
M3108A	51	390	K	23		M3112A
M3109	51	456	K	25		M3539
M3111	51	309	K	21		M3541
M31112-58	179	16,097	L1	1428	1876M	
M31114-58	179	15,623	L1	1859	18112M	
M3112	51	320	LS	25		M3542
M3112-5	172	320	LS	25		M3542-5
M3112-50	186	367	K	26		M3542-50
M3112A	51	427	K	26		M3116A
M31132-58	179	17,647	L1	2016	18112M	
M31134-58	179	17,401	L1	1859	18112M	
M3115	51	358	K	23		M3545
M3116	51	361	LS	29		M3546
M31162-58	179	23,471	L1	953		
M31164-58	179	22,961	L1	930		
M3116-5	172	361	LS	28		M3546-5
M3116-50	186	415	K	27		
M3116A	51	474	K	27		M3154A
M3116T	51	363	LS	32		EM3116T
M3116T-5	172	363	LS	30		M3546T-5
M3116T-50	186	418	L1	31	3517M	M3546T-50
M3116T-8	161	373	L1	30		
M3120	51	400	K	29		M3550
M31202-58	179	35,040	L1	1107		
M31204-58	179	22,961	L1	1079		
M3120T	51	429	L1	34		M3550T
M3153	51	492	K	32		
M3153T	51	492	L1	33		M3543T
M3154	51	417	LS	33		M3554
M3154A	51	473	K	33		
M3154T	51	425	LS	40		EM3154T
M3154T-5	172	425	LS	37		M3554T-5
M3154T-50	186	444	L1	31		M3554T-50
M3154T-8	161	439	L1	33		EM3154T-8

Catalog Number	Page Number	List Price	Mult Sym	Ship Wgt <sup>(1)</sup>	Type	Alternate Cat Number <sup>(2)</sup>
M3155	52	467	K	32	3428M	CM3155
M3155T	52	475	L1	38		M3555T
M3156	51	524	K	37		M3159
M3156T	51	512	L1	39		EM3156T
M3157	52	434	LS	37		M3558
M3157T	52	434	LS	42		EM3157T
M3157T-5	172	434	LS	42		M3558T-5
M3157T-50	186	456	L1	38		M3558T-50
M3157T-8	161	446	L1	37		EM3157T-8
M3157TA	52	542	K	36		
M3158	52	481	K	40		M3559
M3158T	52	504	L1	45	3528M	M3559T
M3158T-8	161	517	L1	40		
M3159	51	596	K	38		
M3160	51	694	K	33		M3560
M3161T	52	520	L1	58		
M3161TA	52	601	K	57		
M3203	51	628	L1	35		M3603
M3206	51	654	L1	38		M3606
M3207T	51	601	L1	63		EM3207T
M3208	52	803	L1	36		M3210
M3209	52	704	L1	41		M3609
M3210	52	853	L1	43		M3610
M3211	52	706	L1	52		M3611
M3211T	52	453	LS	61		CM3211T
M3211T/36	52	521	L1	62		M3611T/36
M3211T-5	172	453	LS	62		
M3211T-50	186	522	L1	55		M3611T-50
M3211T-8	161	464	L1	54		M3611T-8
M3211TA	52	635	L1	59		
M3212T	52	522	L1	56		EM3212T
M3212T-8	161	535	L1	56		
M3215T	52	589	L1	67		EM3215T
M3216T	51	872	L1	56	3623M	M3617T
M3218T	52	501	LS	70		EM3218T
M3218T-5	172	501	LS	66		M3615T-5
M3218T-50	186	577	L1	82		M3615T-50
M3218T-8	161	514	L1	69		M3615T-8
M3218TA	52	671	L1	70		
M3219T	52	716	L1	72	3627M	EM3219T
M3219T-8	161	734	L1	69		
M3220T	51	1,060	L1	64	3634M	M3618T
M3233	145	924	L1	47		
M3234	145	980	L1	49		
M3303T	52	1,308	L1	88	3728M	M3702T
M3304	52	860	L1	67		M3703
M3305T	52	692	L1	106	3723M	EM3305T
M3306T	52	1,508	L1	111	3728M	M3705T
M3307	52	958	L1	64		M3706
M3308	52	902	L1	69		M3707
M3309T	52	907	L1	117	3730M	
M3310	52	1,213	L1	75		M3709

(1) Shipping weight is approximate.

(2) Baldor has suggested alternate products, however there may be slight differences in performance, efficiency, voltage range, dimensions and mounting. Customers should verify suitability of selected products for their specific application.

Catalog Number	Page Number	List Price	Mult Sym	Ship Wgt <sup>(1)</sup>	Type	Alternate Cat Number <sup>(2)</sup>
M3311T	52	711	LS	103	3643M	EM3311T
M3311T-5	172	711	LS	97	3646M	EM3311T-5
M3311T-50	186	818	L1	109	3727M	M3710T-50
M3311T-8	161	728	L1	94	3643M	EM3311T-8
M3312T	52	899	L1	109		EM3312T
M3312T-8	161	921	L1	85		
M3313T	52	870	LS	110	3733M	EM3313T
M3313T-5	172	870	LS	129		EM3313T-5
M3313T-50	186	1,001	L1	122	3734M	M3714T-50
M3313T-8	161	892	L1	104	3733M	EM3313T-8
M3314T	53	1,314	L1	125		M3713T
M3314T-8	161	1,346	L1	109		
M3324	145	1,319	L1	77		
M3325	145	1,359	L1	81		
M3326	145	1,657	L1	94		
M3353	38	316	K	16		M3355
M3355	38	358	K	17		
M3452	38	369	K	17		M3455
M3454	38	261	K	18		M3458
M3455	38	411	K	19		
M3457	38	265	K	20		M3460
M3458	38	319	K	20		M3461
M3460	38	307	K	19		
M3461	38	373	K	22		M3464
M3463	38	339	K	21		
M3464	38	404	K	25		
M3531	38	406	K	20		M3535
M3532	38	593	K	27		M3536
M3534	38	286	LS	21		M3538
M3534-5	163	286	LS	21		M3538-5
M3535	38	457	K	22		M3539
M3536	38	646	K	33		M3560
M3537	38	307	K	19		CM3537
M3537-5	163	307	K	20		M3541-5
M3538	38	327	LS	22		M3542
M3538/35	38	421	K	33		
M3538-5	163	327	LS	22		M3542-5
M3538-50	186	375	K	25		M3542-50
M3539	38	492	K	24		CM3539
M3539-5	163	492	K	24		
M3541	38	339	K	21		CM3541
M3541-5	163	339	K	21		
M3541-50	186	375	K	22		M3545-50
M3542	38	349	LS	26		M3546
M3542-5	163	349	LS	26		M3546-5
M3542-50	186	401	K	32		
M3543	38	503	K	34		CM3543
M3543T	38	503	L1	34		M3556T
M3543T-5	163	503	L1	34		
M3545	39	397	K	22		EM3545
M3545-5	163	397	K	23		M3541-5
M3545-50	186	456	K	27		

Catalog Number	Page Number	List Price	Mult Sym	Ship Wgt <sup>(1)</sup>	Type	Alternate Cat Number <sup>(2)</sup>
M3546	39	364	LS	26		EM3546
M3546/35	39	440	K	31	3516M	
M3546-5	163	364	LS	28		
M3546T	39	404	LS	36	3516M	M3581T
M3546T-5	163	404	LS	32		
M3546T-50	186	467	L1	32	3517M	
M3546T-8	160	414	L1	28		
M3550	39	433	K	30		EM3550
M3550T	39	459	L1	37		EM3550T
M3550T-5	163	459	L1	37		M3550T-5#
M3550T-50	186	530	L1	36		
M3554	39	411	LS	34	3518M	EM3554
M3554T	39	414	LS	41		EM3554T
M3554T-5	163	414	LS	39		M3558T-5
M3554T-50	186	475	L1	39		M3558T-50
M3554T-8	160	423	L1	36		M3558T-8
M3555	39	487	K	33		M3559
M3555T	39	529	L1	43		EM3555T
M3555T-5	163	529	L1	43		M3559T-5
M3555T-50	186	582	L1	42		
M3556	39	512	K	35		M3557
M3556T	39	553	L1	39		M3582T
M3556T-5	163	553	L1	39		M3557T-5
M3557	39	587	K	41		
M3558	39	444	LS	41		
M3558T	39	435	LS	46		EM3558T
M3558T-5	163	435	LS	45		
M3558T-50	186	501	L1	48		
M3558T-8	160	444	L1	43		
M3558T-9	73	502	L1	45		
M3559	40	566	K	44		
M3559T	40	606	L1	53	3532M	
M3559T-5	163	606	L1	51		
M3560	38	726	K	38		
M3564	145	564	K	30		M3565
M3565	145	593	K	28		M3566
M3566	145	622	K	33		M3567
M3567	145	653	K	34		
M3581T	39	566	L1	48		EM3581T
M3582T	39	748	L1	54		EM3582T
M3583T	39	717	L1	51		EM3583T
M3584T	39	578	L1	53		EM3584T
M3586T	39	743	L1	58		EM3586T
M3587T	39	626	L1	59	0532M	EM3587T
M3600	38	954	L1	41		M3602
M3601	38	755	L1	41		M3604
M3602	38	954	L1	53		
M3603	39	685	L1	35		M3606
M3604	39	873	L1	41		M3607
M3605	39	777	L1	36		M3608
M3606	39	698	L1	39		M3609
M3607	39	933	L1	43		

<sup>(1)</sup> Shipping weight is approximate.

<sup>(2)</sup> Baldor has suggested alternate products, however there may be slight differences in performance, efficiency, voltage range, dimensions and mounting. Customers should verify suitability of selected products for their specific application.



Gearmotors and Gear Products

Motor Accessories

Grinders

Generators

Servo Motors and Controls

Mod Express

Baldor Education Workshops

Warranties and Sales Policies

Cross Reference and Index

Baldor Sales Offices

Catalog Number	Page Number	List Price	Mult Sym	Ship Wgt <sup>(1)</sup>	Type	Alternate Cat Number <sup>(2)</sup>
M3607T	39	638	L1	67		M3667T
M3607T-5	163	638	L1	63		
M3608	39	895	L1	43		M3610
M3609	39	736	L1	46		M3611
M3610	40	737	L1	48		
M3610T	40	645	L1	57	3535M	M3660T
M3610T-50	186	742	L1	57		
M3611	40	657	L1	58		
M3611T	40	512	LS	69		EM3611T
M3611T/36	40	535	L1	68		
M3611T-5	163	512	LS	68		EM3611T-5
M3611T-50	186	589	L1	65		
M3611T-8	160	525	L1	53		EM3661T-8
M3611T-9	73	589	L1	57		
M3613T	40	742	L1	73	3626M	CM3613T
M3613T-5	163	742	L1	71		M3616T-5
M3613T-50	186	854	L1	74		
M3614T	40	686	L1	74		M3664T
M3614T-5	163	686	L1	74		
M3615T	40	589	LS	79		EM3615T
M3615T-5	163	589	LS	75	3633M	M3665T-5
M3615T-50	186	680	L1	89		
M3615T-8	160	604	L1	74		
M3615T-9	73	680	L1	86		M3615T
M3616T	41	901	L1	89		CM3616T
M3616T-5	164	901	L1	89		
M3617T	39	1,019	L1	60	3623M	
M3618T	39	1,207	L1	88	3640M	
M3660T	40	821	L1	87	0617M	EM3660T
M3661T	40	820	LS	93		EM3661T
M3661T-5	163	820	LS	90		EM3661T-5
M3663T	40	1,014	L1	95	0624M	EM3663T
M3664T	40	876	L1	93		EM3664T
M3665T	40	837	L1	105		EM3665T
M3665T-5	163	837	L1	102		EM3665T-5
M3665T-9	73	924	L1	138		
M3667T	39	819	L1	87		CP3667T-4
M3701	39	1,407	L1	84		
M3702	40	1,570	L1	96	3724M	M3702
M3702T	40	1,529	L1	97	3724M	
M3703	40	902	L1	65		
M3704	40	1,110	L1	96	3720M	
M3704T	40	864	L1	110	3728M	EM3764T
M3704T-5	163	864	L1	108		
M3705T	40	1,671	L1	139	3734M	
M3706	40	1,255	L1	74		
M3707	40	1,137	L1	80		
M3708T	40	1,047	L1	123	3734M	EM3708T
M3708T-5	163	1,047	L1	119		
M3709	41	1,266	L1	87		
M3709T	41	1,093	L1	94		M3769T
M3709T-5	164	1,093	L1	89		

Catalog Number	Page Number	List Price	Mult Sym	Ship Wgt <sup>(1)</sup>	Type	Alternate Cat Number <sup>(2)</sup>
M3709T-50	186	1,257	L1	116		
M3710T	41	751	LS	129	3731M	M3770T
M3710T-5	164	751	LS	126		M3770T-5
M3710T-50	186	864	L1	114	3729M	
M3710T-8	160	771	L1	113	3731M	EM3710T-8
M3710T-9	73	864	L1	120		
M3711T	41	1,144	L1	126		M3713T
M3711T-5	164	1,144	L1	123		M3713T-5
M3711T-50	186	1,316	L1	126		
M3712	40	1,055	L1	72		
M3713T	41	1,452	L1	168		
M3713T-5	164	1,452	L1	167		
M3714T	41	915	LS	129	3740M	M3774T
M3714T-5	164	915	LS	138		M3774T-5
M3714T-50	186	1,051	L1	134	3742M	
M3714T-8	160	937	L1	127	3740M	EM3774T-8
M3714T-9	73	1,005	L1	141		M3714T
M3764T	40	1,149	L1	158	0727M	EM3764T
M3768T	40	1,270	L1	178	0732M	EM3768T
M3769T	41	1,154	L1	166		EM3769T
M3770T	41	1,117	L1	164	0729M	EM3770T
M3770T-5	164	1,117	L1	170		EM3770T-5
M3770T-9	73	1,239	L1	147		
M3771T	41	1,387	L1	171		EM3771T
M3774T	41	1,202	L1	170		EM3774T
M3774T-5	164	1,202	L1	187		EM3774T-5
M3774T-9	73	1,335	L1	162		
M4100T	41	2,752	L1	361	1034M	EM4100T
M4102T	42	3,324	L1	372	1040M	EM4102T
M4103	42	4,474	L1	375		
M4103T	42	2,398	LS	342	0954M	EM4103T
M4103T-12	42	2,469	L1	432		
M4103T-5	164	2,398	LS	472		
M4103T-50	186	3,137	L1	315	0964M	
M4103T-8	160	2,455	L1	361		EM4103T-8
M4103T-9	73	2,659	L1	475		
M4104	42	5,308	L1	522		
M4104T	42	2,833	LS	361	0962M	EM4104T
M4104T-12	42	2,848	L1	422	0964M	
M4104T-5	164	2,833	LS	427	0964M	
M4104T-50	186	3,708	L1	416		
M4104T-8	160	2,900	L1	386		EM4104T-8
M4104T-9	73	3,141	L1	479		
M4106	42	2,931	L1	370		
M4106T	42	1,987	L1	248		EM4106T
M4106T-5	164	1,987	L1	236		EM4106T-5
M4107	42	4,570	L1	495	1034M	
M4107T	42	2,528	L1	361		EM4107T
M4107T-5	164	2,528	L1	361		EM4107T-5
M4108T	42	2,742	L1	382	0950M	EM4108T
M4108T-5	164	2,742	L1	382	0950M	EM4108T-5
M4109T	42	3,920	L1	486	1050M	EM4109T

(1) Shipping weight is approximate.

(2) Baldor has suggested alternate products, however there may be slight differences in performance, efficiency, voltage range, dimensions and mounting. Customers should verify suitability of selected products for their specific application.

Catalog Number	Page Number	List Price	Mult Sym	Ship Wgt <sup>(1)</sup>	Type	Alternate Cat Number <sup>(2)</sup>
M4109T-5	164	3,920	L1	486	1050M	EM4109T-5
M4110T	42	3,757	LS	498	1064M	EM4110T
M4110T-12	42	3,871	L1	455	1064M	
M4110T-5	164	3,757	LS	475	1064M	
M4110T-50	186	4,850	L1	586		
M4110T-8	160	3,847	L1	522	1064M	EM4110T-8
M4110T-9	73	4,167	L1	610	1260M	
M4111T	42	4,011	L1	451	1058M	EM4111T
M4112T	42	5,386	L1	569		
M4114T	43	3,985	L1	470	1064M	EM4114T
M4114T-5	165	3,985	L1	585	1064M	EM4114T-5
M4115T	43	3,891	LS	539	1076M	EM4115T
M4115T-12	43	4,007	L1	579		
M4115T-5	165	3,891	LS	578		
M4115T-50	186	5,266	L1	637		
M4115T-8	160	3,983	L1	554		
M4115T-9	73	4,314	L1	629		
M4115TS	43	3,949	LS	579		
M4116T	42	6,653	L1	532		
M4117T	42	4,866	L1	579	1066M	EM4117T
M4118T	42	2,252	L1	277	0942M	
M4307	42	5,583	L1	662		
M4308T	43	5,391	L1	807		EM4308T
M4310T	43	6,079	L1	680		EM4310T
M4311	43	6,487	L1	728		
M4312T	43	6,841	L1	769		EM4312T
M4313T	43	7,383	L1	775		EM4313T
M4314T	43	5,959	LS	727	1272M	EM4314T
M4314T-12	43	6,140	L1	773		
M4314T-5	165	5,959	LS	770		
M4314T-50	186	6,847	L1	809		
M4314T-9	73	7,600	L1	847		
M4314TS	43	5,959	LS	734	1454M	
M4316T	43	7,345	LS	874	1286M	EM4316T
M4316T-12	43	7,567	L1	807	1286M	
M4316T-5	165	7,345	LS	809	1286M	
M4316T-9	73	8,195	L1	828		
M4316TS	43	7,345	LS	808	1286M	
M4338T	42	7,398	L1	699		
M4348T	43	9,177	L1	756		
M4400T	43	9,122	LS	1012	1480M	CM4400T
M4400T-12	43	9,122	L1	1008	1480M	
M4400T-5	165	9,122	LS	1016		
M4400TS	43	9,122	LS	987		M4400T
M4402T-4	43	9,429	L1	974		
M4403T	43	8,636	L1	1051		EM4403T
M4404T	43	9,741	L1	1140		EM4404T
M4406T-4	44	14,416	LS	1740		
M4406T-5	165	14,416	LS	1421		
M4406TS-4	44	14,416	LS	1568	1884M	
M4407T-4	44	17,718	LS	1945		
M4407TR-4	44	17,809	LS	1912		

Catalog Number	Page Number	List Price	Mult Sym	Ship Wgt <sup>(1)</sup>	Type	Alternate Cat Number <sup>(2)</sup>
M4407TS-4	44	17,718	LS	1662		
M4408T-4	44	22,206	L1	1877		
M4408TR-4	44	22,206	L1	2345	18136M	
M4408TS-4	44	22,206	L1	2120		
M4409T	43	12,175	L1	1636		
M4410T-4	44	12,306	LS	1607		
M4410T-5	165	12,306	LS	1618	1868M	
M4410TS-4	44	12,306	LS	1536		
M4411T-4	44	15,627	L1	1664		
M4412T-4	44	12,832	L1	1489		
M4413T-4	44	15,237	L1	1501		
M44156T-4	44	18,458	L1	1672	18108M	
M4416T-4	44	18,189	L1	1716		
M44206T-4	44	21,981	L1	2420		
M44252T-4	44	26,854	L1	2314		
M44256T-4	44	30,880	L1	2710		
M44302T-4	44	41,021	L1	2606		
M44304T-4	44	33,055	L1	2648		
M44304TS-4	44	33,055	L1	2629		
M44306T-4	44	39,417	L1	2831		
M44352T-4	44	47,387	L1	2908		
M44354T-4	44	36,726	L1	3044		
M44354TS-4	44	36,726	L1	3025		
M44402T-4	44	57,609	L1	2900		
M44404T-4	44	48,032	L1	3004		
M44404TS-4	44	48,510	L1	2695		
M4458T	43	11,269	L1	1004	1658M	
M4468T	43	13,014	L1	1076		
M50356L-4	44	51,926	LM	4427		
M50502S-4	44	73,594	LM	4572		
M50504L-4	44	66,397	LM	4579		
M6002A	87	484	K	26		
M6007A	87	605	K	29		
M7002A	87	581	K	28		
M7003A	87	834	K	34		
M7005A	87	666	K	27		
M7006-5	174	605	K	37		
M7006A	87	605	K	30		
M7007A	87	881	K	39		
M7009A	87	694	K	29		
M7010-5	174	697	K	35		
M7010A	87	697	K	34		
M7013	88	731	K	31		
M7013-5	174	731	K	31		
M7013T-I	92	840	SD	41		
M7014	88	763	K	38		
M7014-5	174	763	K	38		
M7014T	88	794	LS	44		
M7014T-5	174	794	LS	43		
M7014T-I	92	803	SD	49	3516M	
M7015	88	1,100	L1	44	3514M	
M7018T	88	750	L1	45		

(1) Shipping weight is approximate.

(2) Baldor has suggested alternate products, however there may be slight differences in performance, efficiency, voltage range, dimensions and mounting. Customers should verify suitability of selected products for their specific application.

Gearmotors and Gear Products

Motor Accessories

Grinders

Generators

Servo Motors and Controls

Mod Express

Baldor Education Workshops

Warranties and Sales Policies

Cross Reference and Index

Baldor District Offices

Gearmotors and Gear Products

Motor Accessories

Grinders

Generators

Servo Motors and Controls

Mod Express

Baldor Education Workshops

Warranties and Sales Policies

Cross Reference and Index

Baldor Sales Offices

Catalog Number	Page Number	List Price	Mult Sym	Ship Wgt <sup>(1)</sup>	Type	Alternate Cat Number <sup>(2)</sup>
M7018T-5	174	750	L1	46		
M7018T-I	92	859	SD	47		
M7019	88	1,291	L1	49		
M7020T	88	1,262	L1	76		
M7020T-I	92	1,262	SD	99		
M7023	88	1,322	L1	54		
M7026	88	1,130	L1	64		
M7026T	88	961	L1	66		
M7026T-I	92	1,070	SD	91		
M7027	88	1,510	L1	107		
M7030	88	1,955	L1	124		
M7031A	87	936	K	44		
M7031TA	87	936	L1	47		
M7032	88	936	K	44		
M7032T	88	917	L1	49		
M7032T-I	92	917	SD	50		
M7034	88	831	K	43		
M7034T	88	796	LS	48		
M7034T-5	174	796	LS	50		
M7034T-I	92	805	SD	18	3520M	
M7036T	88	1,417	L1	144	3728M	
M7036T-I	92	1,417	SD	155	3728M	
M7037	88	929	K	51		
M7037T	88	898	LS	55		
M7037T-5	174	898	LS	53		
M7037T-I	92	908	SD	31	3524M	
M7040T	88	1,858	L1	161	3734M	
M7040T-I	93	1,858	SD	165		
M7041T	88	1,300	L1	92		
M7041T-I	92	1,300	SD	90		
M7042T	88	982	LS	81		
M7042T-5	174	982	LS	78		
M7042T-I	92	986	SD	105		
M7042T-I-5	92	986	SD	99		
M7044T	88	1,217	LS	99		
M7044T-5	174	1,217	LS	97		
M7044T-I	93	1,223	SD	118		
M7044T-I-5	93	1,223	SD	114		
M7045T	88	1,559	L1	166		
M7045T-I	93	1,559	SD	159		
M7047T	88	1,500	LS	168	3731M	
M7047T-5	174	1,500	LS	170		
M7047T-I	93	1,508	SD	177		
M7047T-I-5	93	1,508	SD	165		
M7048T	88	2,200	L1	381		
M7048T-I	93	2,200	SD	381		
M7053T	89	2,073	L1	292	0932M	
M7053T-I	93	2,073	SD	344	0932M	
M7054T	89	2,346	LS	376		
M7054T-5	174	2,346	LS	351		
M7054T-I	93	2,358	SD	387		
M7054T-I-5	93	2,358	SD	381		

Catalog Number	Page Number	List Price	Mult Sym	Ship Wgt <sup>(1)</sup>	Type	Alternate Cat Number <sup>(2)</sup>
M7056T	89	3,042	LS	381		
M7056T-5	174	3,042	LS	361		
M7056T-I	93	3,057	SD	387		
M7056T-I-5	93	3,057	SD	381		
M7057T	89	4,264	L1	436	1034M	
M7057T-I	93	4,264	SD	430	1034M	
M7058T	89	3,764	LS	528		
M7058T-5	174	3,764	LS	528		
M7058T-I	93	3,782	SD	549		
M7058T-I-5	93	3,782	SD	415		
M7059T	89	2,659	L1	371		
M7059T-I	93	2,659	SD	344		
M7060T	89	4,499	LS	491		
M7060T-5	174	4,523	L1	552		
M7060T-I	93	4,523	SD	584		
M7060T-I-5	93	4,523	SD	583		
M7062T	89	6,147	LS	750		
M7062T-5	174	6,147	LS	761		
M7062T-I	93	6,178	SD	765		
M7062T-I-5	93	6,178	SD	764		
M7063T	89	3,539	L1	517	1036M	
M7063T-I	93	3,539	SD	445	1036M	
M7064T	89	7,152	LS	769		
M7064T-I	93	7,189	SD	798		
M7064T-I-5	93	7,189	SD	795		
M7065T	88	2,645	L1	357		
M7065T-I	93	2,645	SD	369		
M7066T	89	7,999	LS	969		
M7066T-I	93	8,155	SD	981		
M7066T-I-5	93	8,155	SD	979		
M7067T	89	5,549	L1	718		
M7067T-I	93	5,549	SD	665		
M7068T	89	9,978	LS	1031		
M7068T-I	93	10,030	SD	1044		
M7068T-I-5	93	10,030	SD	1031		
M7070T	88	1,575	LS	164	3740M	
M7071T	88	768	L1	52		
M7071T-5	174	768	L1	53		
M7071T-I	92	955	SD	50		
M7072T	88	1,130	L1	93		
M7072T-5	174	1,130	L1	94		
M7072T-I	93	1,348	SD	108		
M7073T	88	1,459	L1	94		
M7074T	88	1,758	L1	162		
M7075T	88	909	L1	69		
M7079T	89	4,378	L1	522	1040M	
M7079T-I	93	4,378	SD	436	1040M	
M7080T	89	6,039	L1	737		
M7080T-I	93	6,039	SD	721		
M7081T	89	7,106	L1	704		
M7081T-I	93	7,106	SD	705		
M7082T	89	5,474	L1	732		

(1) Shipping weight is approximate.

(2) Baldor has suggested alternate products, however there may be slight differences in performance, efficiency, voltage range, dimensions and mounting. Customers should verify suitability of selected products for their specific application.

Catalog Number	Page Number	List Price	Mult Sym	Ship Wgt <sup>(1)</sup>	Type	Alternate Cat Number <sup>(2)</sup>
M7082T-I	93	5,474	SD	685		
M7083T	89	4,160	L1	534	1036M	
M7083T-I	93	4,160	SD	445	1036M	
M7084T	89	7,000	L1	915		
M7084T-I	93	7,000	SD	889		
M7085T	89	7,900	L1	918		
M7085T-I	93	7,900	SD	765		
M7086T	89	9,426	L1	1233		
M7086T-I	93	9,426	SD	1325	1662M	
M7087T	89	10,722	L1	1338		
M7087T-I	93	10,722	SD	1338		
M7090T	89	11,821	LS	1363		
M7090T-I	93	12,125	SD	1367		
M7090T-I-5	93	12,125	SD	1372		
M7114T	88	1,126	LS	78	0516M	
M7126T	88	1,292	L1	134		
M7134T	88	1,141	LS	81	0521M	
M7137T	88	1,201	LS	82	0523M	
M7142T	88	1,199	LS	138		
M7144T	88	1,420	LS	131		
M7145T	88	1,748	L1	225		
M7147T	88	1,716	LS	175		
M7170T	88	2,025	LS	187		
M7170T-5	174	2,035	L1	217		
M7170T-I	93	2,035	SD	225	0737M	
M7170T-I-5	93	2,035	SD	230		
M7172T	88	1,515	L1	147		
M7174T	88	1,834	L1	173		
M7174T-I	93	1,834	SD	228	0735M	
M7310T-I	93	8,208	SD	945		
M7313T-I	93	9,512	SD	985		
M74124T-4	89	15,796	LS	1327		
M74154T-4	89	17,493	LS	1450		
M74204T-4	89	25,779	LS	1975		
M74254T-4	89	30,116	L1	2016		
M74304T-4	89	44,829	L1	2959		
M8001	75	492	SD	26		M8002
M8002	75	626	SD	29		M8003
M8003	75	684	SD	35		
M8003T	75	772	SD	57		WDM3546T
M8004T	75	754	SD	60	0521M	WDM3554T
M8005T	75	799	SD	64	0523M	WDM3558T
M8006T	75	1,035	SD	104		WDM3558T
M8007T	75	1,164	SD	113		WDM3615T
M8008T	75	1,418	SD	191	0729M	
M8009T	75	1,684	SD	170		WDM3714T
M8010T	75	2,408	SD	260		CP2333T
M8014T	75	2,929	SD	276	0760M	CP2334T
MA7-008-CA	329	1,269	E7	7		MA7-016-CA
MA7-016-CA	329	1,335	E7	6		MA7-030-CA
MA7-030-CA	329	1,566	E7	10		
MA8-008-CA	329	1,324	E7	7		MA8-016-CA

Catalog Number	Page Number	List Price	Mult Sym	Ship Wgt <sup>(1)</sup>	Type	Alternate Cat Number <sup>(2)</sup>
MA8-016-CA	329	1,402	E7	7		MA8-030-CA
MA8-030-CA	329	1,621	E7	10		
MB3371	395	30	A8	1		
MB3480	395	38	A8	1		
MB3590	395	39	A8	2		
MB36112	395	64	A8	3		
MB37132	395	88	A8	6		
MB7-055-CP	329	2,968	E7	61		MB7-080-CP
MB7-055-GC	329	5,834	E7	214		MB7-080-GC
MB7-080-AB	329	7,748	E7	155		MB7-160-AB
MB7-080-CP	329	4,253	E7	87		MB7-160-CP
MB7-080-GC	329	6,398	E7	122		MB7-160-GC
MB7-160-AB	329	10,217	E7	177		MB7-250-AB
MB7-160-BB	329	8,641	E7	174		MB7-250-BB
MB7-160-CB	329	6,724	E7	247		MB7-250-CB
MB7-160-CP	329	5,535	E7	164		MB7-250-CP
MB7-160-GC	329	13,634	E7	315		MB7-250-GC
MB7-250-AB	329	12,754	E7	292		MB7-420-AB
MB7-250-AB-1	329	12,200	E7	186		MB7-420-AB
MB7-250-BB	329	9,615	E7	254		MB7-420-BB
MB7-250-CB	329	8,813	E7	174		MB7-420-CB
MB7-250-CP	329	7,584	E7	113		MB7-420-CP
MB7-250-GC	329	15,685	E7	341		MB7-420-GC
MB7-420-AB	329	14,645	E7	276		
MB7-420-BB	329	11,557	E7	256		
MB7-420-CB	329	10,614	E7	253		
MB7-420-CP	329	9,526	E7	156		
MB7-420-GC	329	20,111	E7	498		
MD7-009-CB	326	1,789	E7	16		MD7-016-CB
MD7-016-CB	326	1,858	E7	16		MD7-023-CB
MD7-023-CB	326	2,045	E7	16		MD7-030-CB
MD7-030-CB	326	2,221	E7	16		MD7-044-CB
MD7-044-CB	326	2,531	E7	16		MD7-059-CB
MD7-059-CB	326	2,836	E7	18		MD7-072-CB
MD7-072-CB	326	3,207	E7	18		MD7-085-CB
MD7-085-CB	326	3,390	E7	18		MD7-105-CB
MD7-105-CB	326	4,087	E7	18		MD7-146-CB
MD7-146-CB	326	4,828	E7	18		MD7-174-CB
MD7-174-CB	326	6,400	E7	35		MD7-202-CB
MD7-202-CB	326	7,103	E7	44		MD7-242-CB
MD7-242-CB	326	7,634	E7	48		MD7-300-CB
MD7-300-CB	326	8,509	E7	48		MD7-370-CB
MD7-370-CB	326	9,214	E7	48		MD7-500-CB
MD7-500-CB	326	12,599	E7	176		MD7-600-CB
MD7-600-CB	326	13,679	E7	143		MD7-750-CB
MD7-750-CB	326	16,330	E7	159		MD7-900-CB
MD7-900-CB	326	17,679	E7	159		
MD8-009-CB	326	2,057	E7	16		MD8-016-CB
MD8-016-CB	326	2,137	E7	16		MD8-023-CB
MD8-023-CB	326	2,351	E7	16		MD8-030-CB
MD8-030-CB	326	2,554	E7	16		MD8-044-CB
MD8-044-CB	326	2,910	E7	16		MD8-059-CB

<sup>(1)</sup> Shipping weight is approximate.

<sup>(2)</sup> Baldor has suggested alternate products, however there may be slight differences in performance, efficiency, voltage range, dimensions and mounting. Customers should verify suitability of selected products for their specific application.

Gearmotors and Gear Products

Motor Accessories

Grinders

Generators

Servo Motors and Controls

Mod Express

Baldor Education Workshops

Warranties and Sales Policies

Cross Reference and Index

Baldor District Offices

Gearmotors and Gear Products

Catalog Number	Page Number	List Price	Mult Sym	Ship Wgt <sup>(1)</sup>	Type	Alternate Cat Number <sup>(2)</sup>
MD8-059-CB	326	3,261	E7	18		MD8-072-CB
MD8-072-CB	326	3,687	E7	18		MD8-085-CB
MD8-085-CB	326	3,898	E7	18		MD8-105-CB
MD8-105-CB	326	4,699	E7	18		MD8-146-CB
MD8-146-CB	326	5,553	E7	18		MD8-174-CB
MD8-174-CB	326	7,359	E7	35		MD8-202-CB
MD8-202-CB	326	8,167	E7	35		MD8-242-CB
MD8-242-CB	326	8,778	E7	48		MD8-300-CB
MD8-300-CB	326	9,648	E7	48		MD8-370-CB
MD8-370-CB	326	10,597	E7	48		MD8-500-CB
MD8-500-CB	326	14,486	E7	143		MD8-600-CB
MD8-600-CB	326	15,733	E7	151		MD8-750-CB
MD8-750-CB	326	18,783	E7	159		MD8-900-CB
MD8-900-CB	326	20,332	E7	159		
MM2333	180	1,533	L1	240		
MM2333-50	184	1,685	L1	235		
MM2334	180	1,854	L1	270		
MM2334-50	184	2,040	L1	285		
MM3454	180	261	K	20		
MM3457	180	243	K	20		
MM3458	180	288	K	20		
MM3460	180	275	K	20		
MM3461	180	341	K	19		
MM3463	180	304	K	24		
MM3542	180	364	K	26		
MM3545	180	360	K	25		
MM3546	180	379	K	33		
MM3546-50	184	418	K	36		
MM3550	180	400	K	30		
MM3554	180	442	L1	37	3520M	
MM3555	180	477	K	39		
MM3558	180	454	K	47		
MM3558-50	184	500	K	47		
MM3559	180	605	K	51		
MM3611	180	545	L1	65	3628M	
MM3611-50	184	599	L1	66		
MM3613	180	670	L1	65		
MM3615	180	618	L1	79		
MM3615-50	184	680	L1	89		
MM3709	180	993	L1	116		
MM3710	180	784	L1	111	3731M	
MM3710-50	184	863	L1	85	3729M	
MM3711	180	1,083	L1	125		
MM3714	180	955	L1	127	3740M	
MM3714-50	184	1,051	L1	146		
MM4103	180	2,303	L1	384	0956M	
MM4104	180	2,703	L1	421		
MM4110	180	3,596	L1	479		
MM5100	175	202	K	9		
MM5100-5	176	202	K	9		
MM5150	175	211	K	12		
MM5150-5	176	211	K	12		

Motor Accessories

Grinders

Generators

Servo Motors and Controls

Mod Express

Baldor Education Workshops

Warranties and Sales Policies

Cross Reference and Index

Baldor Sales Offices

Catalog Number	Page Number	List Price	Mult Sym	Ship Wgt <sup>(1)</sup>	Type	Alternate Cat Number <sup>(2)</sup>
MM5200	175	235	K	10		
MM5200-5	176	235	K	10		
MM5250	175	247	K	11		
MM5250-5	176	247	K	11		
MM5300	175	252	K	13		
MM5300-5	176	252	K	13		
MM5350	175	257	K	16		
MM5350-5	176	257	K	16		
MM5400	175	262	K	17		
MM5400-5	176	262	K	17		
MM5450	175	279	K	22		
MM5450-5	176	279	K	22		
MM5500	175	298	K	20		
MM5500-5	176	298	K	20		
MM5550	175	303	K	23		
MM5550-5	176	303	K	20		
MM5600	175	332	K	23		
MM5600-5	176	332	K	23		
MM5650	175	340	K	26		
MM5650-5	176	340	K	26		
MM5700	175	353	K	34		
MM5700-5	176	353	K	34		
MM5750	175	365	K	37		
MM5750-5	176	365	K	37		
MOV505L	327	108	E7	1		
MOV620EL	327	102	E7	1		
MPM3458	144	328	K	20		
MVM2333D-50	184	1,571	L1	236		
MVM2334D-50	184	1,935	L1	319		
MVM3457D	181	375	K	20		
MVM3458C	182	397	K	22		
MVM3458D	181	452	K	20	3320M	
MVM3460C	182	423	K	22		
MVM3460D	181	432	K	20	3320M	
MVM3461C	182	447	K	22		
MVM3461D	181	455	K	20		
MVM3463C	182	440	K	26		
MVM3463D	181	450	K	25		
MVM3542C	182	469	K	25		
MVM3542D	181	480	K	28		
MVM3542D-50	184	529	K	30		
MVM3545C	182	520	K	24		
MVM3545D	181	529	K	25		
MVM3546C	182	536	K	32		
MVM3546D	181	549	K	33		
MVM3550C	182	542	L1	33		
MVM3550D	181	556	L1	37		
MVM3554C	182	556	L1	40		
MVM3554D	181	566	L1	41		
MVM3555C	182	596	L1	45		
MVM3555D	181	606	L1	45		
MVM3558C	182	571	L1	45		

(1) Shipping weight is approximate.

(2) Baldor has suggested alternate products, however there may be slight differences in performance, efficiency, voltage range, dimensions and mounting. Customers should verify suitability of selected products for their specific application.

Catalog Number	Page Number	List Price	Mult Sym	Ship Wgt <sup>(1)</sup>	Type	Alternate Cat Number <sup>(2)</sup>
MVM3558C-50	184	630	L1	54		
MVM3558D	181	587	L1	46		
MVM3558D-50	184	646	L1	53		
MVM3559C	182	653	L1	53		
MVM3559D	181	668	L1	52		
MVM3611C	182	707	L1	61		
MVM3611C-50	184	778	L1	71		
MVM3611D	181	721	L1	68		
MVM3611D-50	184	794	L1	75		
MVM3613C	182	812	L1	69		
MVM3613D	181	826	L1	76		
MVM3615C	182	763	L1	76		
MVM3615C-50	184	840	L1	93		
MVM3615D	181	778	L1	81		
MVM3615D-50	184	857	L1	95		
MVM3709D	181	1,101	L1	118		
MVM3710C-50	184	1,065	L1	134	3729M	
MVM3710D	181	982	L1	137	3727M	
MVM3710D-50	184	1,081	L1	129	3729M	
MVM3711D	181	1,305	L1	145		
MVM3714C-50	184	1,302	L1	166		
MVM3714D	181	1,197	L1	152	3740M	
MVM3714D-50	184	1,316	L1	169		
MVM5100C	175	227	K	9		
MVM5100C-5	176	227	K	9		
MVM5100D	175	233	K	10		
MVM5100D-5	176	233	K	10		
MVM5150C	175	235	K	12		
MVM5150C-5	176	235	K	12		
MVM5150D	175	242	K	13		
MVM5150D-5	176	242	K	13		
MVM5200C	175	263	K	10		
MVM5200C-5	176	263	K	10		
MVM5200D	175	268	K	11		
MVM5200D-5	176	268	K	11		
MVM5250C	175	271	K	11		
MVM5250C-5	176	271	K	11		
MVM5250D	175	276	K	12		
MVM5250D-5	176	276	K	12		
MVM5300C	175	272	K	13		
MVM5300C-5	176	272	K	13		
MVM5300D	175	275	K	14		
MVM5300D-5	176	275	K	14		
MVM5350C	175	282	K	16		
MVM5350C-5	176	282	K	16		
MVM5350D	175	286	K	17		
MVM5350D-5	176	286	K	17		
MVM5400C	175	286	K	17		
MVM5400C-5	176	286	K	17		
MVM5400D	175	292	K	18		
MVM5400D-5	176	292	K	18		
MVM5450C	175	304	K	22		

Catalog Number	Page Number	List Price	Mult Sym	Ship Wgt <sup>(1)</sup>	Type	Alternate Cat Number <sup>(2)</sup>
MVM5450C-5	176	304	K	22		
MVM5450D	175	311	K	23		
MVM5450D-5	176	311	K	23		
MVM5500C	175	313	K	20		
MVM5500C-5	176	313	K	20		
MVM5500D	175	319	K	21		
MVM5500D-5	176	319	K	21		
MVM5550C	175	330	K	23		
MVM5550C-5	176	330	K	23		
MVM5550D	175	335	K	24		
MVM5550D-5	176	335	K	24		
MVM5600C	175	358	K	23		
MVM5600C-5	176	431	K	23		
MVM5600D	175	365	K	24		
MVM5600D-5	176	365	K	24		
MVM5650C	175	363	K	26		
MVM5650C-5	176	363	K	26		
MVM5650D	175	371	K	17		
MVM5650D-5	176	371	K	27		
MVM5700C	175	394	K	34		
MVM5700C-5	176	394	K	34		
MVM5700D	175	405	K	35		
MVM5700D-5	176	405	K	35		
MVM5750C	175	405	K	37		
MVM5750C-5	176	405	K	37		
MVM5750D	175	415	K	38		
MVM5750D-5	176	415	K	38		
NM3454	38	274	K	21		
NM3454/35	38	441	K	8	3513M	
NM3534	38	306	K	23		
NM3538	38	356	K	26		
NM3538/35	38	475	K	35		
NM3539	38	541	K	39		
NM3542	38	383	K	31	3514M	
NM3546	39	418	K	39		
NM3546T	39	440	L1	38	3517M	
NM3554T	39	459	L1	45	3526M	
OF2276T	149	2,633	L1	249	0932M	
OF2332T	149	2,932	L1	280		
OF3303T	149	1,190	L1	117		
OF3305T	149	1,580	L1	152		
OF3307T	149	1,969	L1	209		OF3407T
OF33100T	149	13,158	L1	1372		
OF3310T	149	2,387	L1	234		OF3410T
OF3315T	149	3,348	L1	288	4032M	OF3415T
OF3320T	149	4,011	L1	318	4040M	OF3420T
OF3325T	149	5,153	L1	436	4240M	
OF3330T	149	6,270	L1	437		
OF3340T	149	7,988	L1	553		
OF3350T	149	9,339	L1	981		
OF3360T	149	10,493	L1	1057		OF3375T
OF3375T	149	12,385	L1	1153		

(1) Shipping weight is approximate.

(2) Baldor has suggested alternate products, however there may be slight differences in performance, efficiency, voltage range, dimensions and mounting. Customers should verify suitability of selected products for their specific application.

Gearmotors and Gear Products

Motor Accessories

Grinders

Generators

Servo Motors and Controls

Mod Express

Baldor Education Workshops

Warranties and Sales Policies

Cross Reference and Index

Baldor District Offices



Gearmotors and Gear Products

Motor Accessories

Grinders

Generators

Servo Motors and Controls

Mod Express

Baldor Education Workshops

Warranties and Sales Policies

Cross Reference and Index

Baldor Sales Offices

Catalog Number	Page Number	List Price	Mult Sym	Ship Wgt <sup>(1)</sup>	Type	Alternate Cat Number <sup>(2)</sup>
OF3407T	149	2,159	L1	229	0932M	
OF3410T	149	2,523	L1	272	0942M	
OF3415T	149	3,537	L1	334	1032M	
OF3420T	149	4,196	L1	376	1040M	
OF3425T	149	5,483	L1	487	1240M	
OF3430T	149	6,631	L1	517		
OF3440T	149	7,466	L1	749		
OF3764T	149	1,948	L1	225	0729M	
OF3768T	149	2,159	L1	196	0750M	
OF4100T	149	4,677	L1	390	1048M	
OF4102T	149	5,651	L1	454	1060M	
OF4111T	149	6,819	L1	561	1250M	
OF4117T	149	8,268	L1	630		
OF4308T	149	9,162	L1	845	1466M	
OF4312T	149	11,867	L1	1090	1664M	
OF4403T	149	14,678	L1	1171	1680M	
OF4404T	149	15,919	L1	1648		
OF4409T	149	20,693	L1	2100		
OF4411T	149	26,563	L1	2516	18140M	
OF44156T	149	31,377	L1	2889		
OHV110E	407	6,914	PG	348		
OHV30	407	1,535	PG	121		
OHV40	407	2,181	PG	193		
OHV50H	407	2,380	PG	193		
OHV60	407	2,807	PG	218		
OHV60E	407	3,270	PG	230		
OHV90E	407	4,020	PG	285		
P18A1015	49	641	LS	81		
P18A1585	156	1,683	L1	57		
P18A1586	156	1,775	L1	54		
P18G1132	12, 49	1,018	L1	131		
P18G1133	12, 49	1,020	L1	132		
P18G1181	91	1,431	L1	139		
P18G1182	91	1,722	L1	144		
P18G2130	159	5,236	L1	211		
P18G2131	159	6,307	L1	256		
P18G2701	111	4,257	S1	235		
P18G2702	111	4,257	S1	225		
P18G2703	111	5,858	S1	249		
P18G2704	111	5,858	S1	246		
P18G2707	111	4,563	S1	241		
P18G2709	111	6,185	S1	221		
P18G2739	111	4,257	S1	225		
P18G2784	111	4,257	S1	204		
P18G2787	111	4,360	S1	205		
P18G2791	111	4,443	S1	226		
P18G2792	111	4,443	S1	228		
P18G2794	111	4,490	S1	240		
P18G3110	148	989	L1	105		
P18G3434	40, 8	948	L1	120		
P18G3824	163	949	L1	131		
P18G3832	11, 46	1,032	L1	134		

Catalog Number	Page Number	List Price	Mult Sym	Ship Wgt <sup>(1)</sup>	Type	Alternate Cat Number <sup>(2)</sup>
P18G3833	11, 46	1,033	L1	140		
P18G3840	46	906	L1	116		
P18G3841	46	918	L1	122		
P18G3843	45	855	L1	119		
P18G3844	46	901	L1	108		
P18G3845	46	1,095	L1	119		
P18G3846	166	594	LS	115		
P18G3847	166	666	LS	126		
P18G3881	49	945	L1	126		
P18G3882	49	893	L1	122		
P18G3883	49	906	L1	129		
P18G3884	167, 18	1,018	L1	113		
P18G3885	167, 18	1,020	L1	123		
P18G3887	49	1,082	L1	122		
P18G4503	163	742	L1	109		
P18G4553	163	837	L1	114		
P18G4826	88	1,420	LS	128		
P18G4827	95	981	SD	134		
P18G4828	95	1,118	SD	141		
P18G4854	88	1,445	L1	136		
P18G4900	40	821	L1	103		
P18G4901	40	1,014	L1	109		
P18G4902	40	820	LS	102		
P18G4903	40	837	L1	110		
P18G4904	39	819	L1	114		
P18G4905	40	876	L1	115		
P18G4920	163	820	LS	105		
P18G4921	163	596	LS	109		
P18G534	26, 96	1,488	SD	149		
P18G535	26, 96	1,650	SD	151		
P18G583	26, 96	1,739	SD	146		
P18G7400	39, 8	1,025	L1	112		
P18G7401	40, 8	1,041	L1	125		
P18G7402	40, 8	948	L1	125		
P18G7403	40, 8	949	L1	132		
P18G7404	40, 8	922	L1	107		
P18G7405	40, 8	1,135	L1	188		
P18S4107	49	554	LS	55		
P21G1101	12, 50	1,414	L1	184		
P21G1102	12, 50	1,569	L1	196		
P21G1156	91	1,994	L1	182		
P21G1157	91	2,358	L1	196		
P21G2701	111	6,314	S1	267		
P21G2702	111	6,314	S1	376		
P21G2703	111	8,089	S1	372		
P21G2704	111	8,089	S1	374		
P21G2705	111	6,834	S1	350		
P21G2707	111	8,356	S1	381		
P21G2737	111	8,915	S1	371		
P21G2747	111	7,639	S1	335		
P21G2750	111	4,473	S1	346		
P21G2752	111	6,762	S1	373		

(1) Shipping weight is approximate.

(2) Baldor has suggested alternate products, however there may be slight differences in performance, efficiency, voltage range, dimensions and mounting. Customers should verify suitability of selected products for their specific application.

Catalog Number	Page Number	List Price	Mult Sym	Ship Wgt <sup>(1)</sup>	Type	Alternate Cat Number <sup>(2)</sup>
P21G2754	111	4,473	S1	335		
P21G2755	111	5,368	S1	362		
P21G2756	111	5,368	S1	371		
P21G2757	111	6,762	S1	388		
P21G2758	111	9,394	S1	407		
P21G3109	148	1,306	L1	142		
P21G3111	148	1,709	L1	142		
P21G3832	11, 46	1,433	L1	193		
P21G3833	11, 46	1,588	L1	201		
P21G3840	46	1,280	L1	162		
P21G3841	46	1,364	L1	171		
P21G3842	46	1,125	L1	145		
P21G3843	46	1,327	L1	157		
P21G3844	46	1,317	L1	159		
P21G3845	46	1,548	L1	155		
P21G3882	50	1,254	L1	169		
P21G3883	50	1,339	L1	175		
P21G3884	167, 18	1,414	L1	167		
P21G3885	167, 18	1,569	L1	177		
P21G4552	164	1,117	L1	152		
P21G4553	164	1,202	L1	163		
P21G4801	88	1,834	L1	179		
P21G4825	88	1,716	LS	175		
P21G4827	95	1,445	SD	188		
P21G4828	95	1,593	SD	198		
P21G4856	95	1,347	SD	170		
P21G4857	95	1,826	SD	184		
P21G4900	41	1,154	L1	150		
P21G4901	41	1,387	L1	153		
P21G4902	41	1,117	L1	150		
P21G4903	41	1,202	L1	161		
P21G4904	40	1,149	L1	135		
P21G4905	40	1,270	L1	150		
P21G4920	164	1,117	L1	149		
P21G4921	164	1,202	L1	161		
P21G545	26, 96	2,274	SD	226		
P21G546	26, 96	2,321	SD	231		
P21G582	26, 96	2,488	SD	210		
P21G7400	40, 8	1,297	L1	168		
P21G7401	40, 8	1,505	L1	185		
P21G7402	41, 9	1,266	L1	183		
P21G7403	41, 9	1,420	L1	197		
P21G7404	41, 9	1,314	L1	168		
P21G7405	41, 9	1,540	L1	174		
P25G1118	46	2,090	LS	350		
P25G1119	47	2,437	L1	297		
P25G1120	46	2,254	L1	277		
P25G1121	47	2,475	L1	278		
P25G1122	166	2,090	LS	277		
P25G1123	166	2,437	L1	299		
P25G1124	11, 46	2,457	L1	313		
P25G1146	91	4,117	L1	357		

Catalog Number	Page Number	List Price	Mult Sym	Ship Wgt <sup>(1)</sup>	Type	Alternate Cat Number <sup>(2)</sup>
P25G1147	91	4,781	L1	371		
P25G1736	156	4,136	L1	341		
P25G1737	156	4,807	L1	420		
P25G2702	111	11,390	S1	495		
P25G2704	111	12,304	S1	511		
P25G2706	111	16,658	S1	550		
P25G2707	111	11,039	S1	472		
P25G2710	111	12,173	S1	565		
P25G2712	111	15,794	S1	496		
P25G2747	111	11,390	S1	506		
P25G3106	148	2,294	L1	292		
P25G3107	148	2,774	L1	292		
P25G3332	41	2,146	L1	310		
P25G3363	164	1,942	LS	330		
P25G3364	164	2,355	LS	324		
P25G3509	13, 53	2,384	L1	280		
P25G3510	13, 53	1,897	L1	257		
P25G413	164	2,122	L1	327		
P25G414	164	2,329	L1	315		
P25G4504	164	1,445	L1	271		
P25G4552	164	1,605	LS	276		
P25G4800	89	2,073	L1	307		
P25G4825	89	2,346	LS	325		
P25G4826	89	3,042	LS	345		
P25G4827	95	2,304	SD	326		
P25G4828	95	2,682	SD	350		
P25G4852	95	2,568	SD	329		
P25G4853	95	3,069	SD	341		
P25G4900	41	1,810	L1	272		
P25G4901	42	1,987	L1	276		
P25G4902	41	1,605	LS	278		
P25G4903	42	1,939	LS	293		
P25G4904	41	1,551	L1	274		
P25G4905	41	1,726	L1	292		
P25G4922	164	1,605	LS	276		
P25G4923	164	1,939	LS	315		
P25G4924	164	1,445	L1	273		
P25G4925	164	1,987	L1	275		
P25G539	26, 96	3,142	SD	357		
P25G540	26, 96	3,582	SD	382		
P25G545	26, 96	3,142	SD	357		
P25G546	26, 96	3,582	SD	374		
P25G581	26, 96	3,875	SD	402		
P25G7401	41, 9	2,450	L1	322		
P25G7402	41, 9	1,942	LS	302		
P25G7403	42, 9	2,355	LS	332		
P25G7404	41, 9	2,122	L1	327		
P25G7405	42, 9	2,329	L1	325		
P28G1060	47	3,088	L1	421		
P28G1061	47	3,525	L1	412		
P28G1062	47	3,204	L1	421		
P28G1714	156	6,020	L1	458		

(1) Shipping weight is approximate.

(2) Baldor has suggested alternate products, however there may be slight differences in performance, efficiency, voltage range, dimensions and mounting. Customers should verify suitability of selected products for their specific application.

Gearmotors and Gear Products

Motor Accessories

Grinders

Generators

Servo Motors and Controls

Mod Express

Baldor Education Workshops

Warranties and Sales Policies

Cross Reference and Index

Baldor District Offices

Gearmotors and Gear Products

Motor Accessories

Grinders

Generators

Servo Motors and Controls

Mod Express

Baldor Education Workshops

Warranties and Sales Policies

Cross Reference and Index

Baldor Sales Offices

Catalog Number	Page Number	List Price	Mult Sym	Ship Wgt <sup>(1)</sup>	Type	Alternate Cat Number <sup>(2)</sup>
P28G3103	148	4,069	L1	424		
P28G3104	148	3,854	L1	426		
P28G3371	164	3,080	LS	428		
P28G3504	13, 53	2,906	L1	381		
P28G3505	13, 53	3,178	L1	393		
P28G403	164	3,039	L1	427		
P28G404	164	3,611	L1	443		
P28G4552	164	2,398	LS	420		
P28G4800	89	3,539	L1	432		
P28G4801	89	4,160	L1	436		
P28G4826	89	4,499	LS	460		
P28G4827	95	3,439	SD	453		
P28G4828	95	3,910	SD	463		
P28G4850	89	4,264	L1	426		
P28G4851	89	4,378	L1	429		
P28G4900	42	2,528	L1	384		
P28G4901	42	2,742	L1	389		
P28G4902	42	2,398	LS	386		
P28G4903	42	2,833	LS	395		
P28G4904	41	2,752	L1	375		
P28G4905	42	3,324	L1	384		
P28G4920	164	2,398	LS	386		
P28G4921	164	2,833	LS	417		
P28G4922	164	2,528	L1	420		
P28G507	26, 96	4,706	SD	512		
P28G508	26, 96	5,282	SD	515		
P28G520	26, 96	4,706	SD	496		
P28G521	26, 96	5,282	SD	491		
P28G7400	41, 9	3,268	L1	416		
P28G7401	42, 9	4,351	L1	439		
P28G7402	42, 9	3,080	LS	430		
P28G7403	42, 9	3,654	LS	441		
P28G7404	42, 9	3,039	L1	424		
P28G7405	42, 9	3,611	L1	434		
P28G86	13, 53	4,026	L1	382		
P32G1038	47	4,523	L1	588		
P32G1039	47	4,655	L1	611		
P32G2700	111	18,953	S1	1150		
P32G2701	111	19,494	S1	875		
P32G2702	111	19,494	S1	877		
P32G2703	111	32,324	S1	1150		
P32G2706	111	24,932	S1	1014		
P32G2724	111	19,494	S1	1100		
P32G3106	148	5,925	L1	582		
P32G3107	148	6,694	L1	647		
P32G3345	42, 9	4,778	LS	613		
P32G3346	43, 9	5,222	LS	677		
P32G3350	42, 9	5,687	L1	620		
P32G3381	164	4,778	LS	575		
P32G3382	165	5,280	L1	668		
P32G395	43, 9	5,415	L1	637		
P32G403	164	4,950	L1	613		

Catalog Number	Page Number	List Price	Mult Sym	Ship Wgt <sup>(1)</sup>	Type	Alternate Cat Number <sup>(2)</sup>
P32G404	165	5,415	L1	627		
P32G4500	42	3,920	L1	540		
P32G4501	43	3,985	L1	574		
P32G4502	164	3,920	L1	564		
P32G4505	165	3,985	L1	613		
P32G4550	42	3,757	LS	567		
P32G4551	43	3,891	LS	591		
P32G4552	164	3,757	LS	570		
P32G4553	165	3,934	LS	612		
P32G4650	42	4,011	L1	546		
P32G4651	42	4,866	L1	564		
P32G4800	89	5,549	L1	651		
P32G4825	89	6,147	LS	685		
P32G4826	89	7,152	LS	702		
P32G4827	95	5,221	SD	635		
P32G4828	95	5,956	SD	709		
P32G4902	42	3,757	LS	588		
P32G4903	43	3,891	LS	610		
P32G505	26, 96	6,907	SD	704		
P32G51	13, 53	4,146	L1	476		
P32G515	26, 96	6,907	SD	732		
P32G516	26, 96	7,779	SD	785		
P32G52	53	4,575	L1	518		
P32G85	13, 53	4,561	L1	521		
P36G2700	111	33,052	S1	1500		
P36G2701	111	34,370	S1	1500		
P36G2702	111	42,482	S1	1500		
P36G3104	148	7,341	L1	793		
P36G3106	148	7,954	L1	835		
P36G3107	148	9,579	L1	856		
P36G3326	43, 9	7,514	LS	870		
P36G3336	165	7,514	LS	889		
P36G3337	165	8,786	LS	919		
P36G3356	43, 9	8,786	LS	869		
P36G4500	43	6,079	L1	739		
P36G4501	43	7,383	L1	813		
P36G4550	43	5,959	LS	752		
P36G4551	43	7,345	LS	824		
P36G4554	165	5,959	LS	796		
P36G4555	165	7,345	LS	840		
P36G4650	43	5,391	L1	733		
P36G4651	43	6,841	L1	774		
P36G4827	95	8,298	SD	884		
P36G4828	95	9,891	SD	941		
P36G4853	95	9,531	SD	962		
P36G51	14, 54	5,759	L1	644		
P36G52	14, 54	7,069	L1	727		
P36G563	26, 96	10,882	SD	984		
P36G564	26, 96	12,775	SD	973		
P40G292	26, 96	15,562	SD	1404		
P40G295	14, 54	10,686	L1	1021		
P40G297	14, 54	8,225	L1	1039		

(1) Shipping weight is approximate.

(2) Baldor has suggested alternate products, however there may be slight differences in performance, efficiency, voltage range, dimensions and mounting. Customers should verify suitability of selected products for their specific application.

Catalog Number	Page Number	List Price	Mult Sym	Ship Wgt <sup>(1)</sup>	Type	Alternate Cat Number <sup>(2)</sup>
P40G298	14, 54	10,089	L1	1129		
P40G332	10, 43	10,911	LS	1171		
P40G383	148	11,705	L1	1375		
P40G4500	43	9,429	L1	1076		
P40G4550	43	9,122	LS	1101		
P40G4552	165	9,122	LS	1136		
P40G4554	43	9,122	LS	1152		
P40G4650	43	8,636	L1	1073		
P40G4826	95	12,001	SD	1321		
P40G4853	95	12,062	SD	1286		
P40G491	165	10,911	LS	1201		
P44G435	26, 96	20,340	SD	1908		
P44G438	26, 96	23,208	SD	2048		
P44G455	14, 54	10,283	L1	1507		
P44G4550	44	12,306	LS	1576		
P44G4551	44	14,416	LS	1654		
P44G4554	165	12,306	LS	1532		
P44G4555	165	14,416	LS	1730		
P44G4827	95	15,653	SD	1784		
P44G4828	95	18,068	SD	1877		
P44G4852	95	16,086	SD	1091		
P44G5171	10, 44	19,528	L1	2255		
P44G519	10, 44	13,508	LS	1669		
P44G520	10, 44	15,538	LS	1820		
P44G6401	44	17,809	LS	1807		
P44G6500	44	22,206	L1	2211		
P44G748	165	13,508	LS	1652		
P44G749	165	17,196	LS	1860		
PC11R	409	1,054	PG	65		
PC17RI	409	1,737	PG	55		
PC30H	409	1,345	PG	108		
PC32RI	409	3,048	PG	140		
PC40H	409	1,743	PG	171		
PC43RI	409	3,905	PG	179		
PC50H	409	1,965	PG	185		
PC60H	409	2,179	PG	211		
PC60HE	409	2,729	PG	217		
PC90HE	409	3,269	PG	270		
PCL1313M	143	503	K	38		PCL3513M
PCL1317M	143	645	K	43		PCL1326M
PCL1319M	143	645	K	40		PCL1322M
PCL1322M	143	669	K	48		
PCL1326M	143	707	K	49		PCL3519M
PCL1327M	143	725	K	57		
PCL3513M	143	571	K	38		PCL3515M
PCL3514M	143	745	K	50		
PCL3515M	143	677	K	43		PCL3519M
PCL3519M	143	742	K	52		
PFTG100XP	283	1,210	N5	6		
PFTG42100X	283	2,380	N5	33		
PFTG4250XC	283	2,432	N5	32		
PFTG46100X	283	4,184	N5	43		

Catalog Number	Page Number	List Price	Mult Sym	Ship Wgt <sup>(1)</sup>	Type	Alternate Cat Number <sup>(2)</sup>
PFTG4650XC	283	4,184	N5	44		
PFTG50XP	283	1,210	N5	6		
PGD2	411	223	G8	20		
PGD4	411	292	G8	26		
PL1313M	143	464	K	34		PL3513M
PL1317M	143	605	K	41		PL3515M
PL1319M	143	616	K	39		PL1322M
PL1322M	143	645	K	43		
PL1326M	143	668	K	50		PL3519M
PL1327M	143	688	K	56		
PL3513M	143	534	K	38		PL3515M
PL3514M	143	708	K	50		
PL3515M	143	645	K	42		PL3519M
PL3519M	143	707	K	50		
PSC3413A	131	336	K	20	3411C	
PSC3416A	131	373	K	21		
PSC3524A	131	409	K	24		
PTG100XP	283	1,210	N5	3		
PTG100XPS	283	1,257	N5	10		
PTG1024LD	283	1,578	N5	1		
PTG4590AC	283	1,163	N5	8		
PTG50NC	283	1,736	N5	8		
PTG50XP	283	1,210	N5	3		
PTG50XPS	283	1,257	N5	8		
PTG60XP-M	283	1,210	N5	5		
PTG60XPS-M	283	1,257	N5	5		
PTGWD100XPS	283	1,338	N5	9		
PTGWD50XPS	283	1,338	N5	10		
R1	406	22	A8	1		
R2	406	24	A8	1		
R5A	406	78	A8	1		
R6	406	41	A8	1		
RBK13B5	384	57	A8	5		
RBK15B5	384	72	A8	5		
RBK18B5	384	89	A8	5		
RBK21B5	384	115	A8	5		
RBK24B5	384	121	A8	5		
RBK24B9	384	230	A8	10		
RBK26B5	384	128	A8	8		
RBK26B9	384	279	A8	11		
RBK30B5	384	145	A8	15		
RBK30B9	384	310	A8	15		
RBK32B5	384	194	A8	8		
RBK32B9	384	384	A8	15		
RBT322-G30	390	2,218	A8	34		
RGA1204	241, 252	849	EC	13		RGA2404
RGA1206	241, 252	849	EC	14		RGA2406
RGA1210	241, 252	849	EC	13		RGA2410
RGA12120	241, 252	849	EC	14		RGA24120
RGA1220	241, 252	849	EC	13		RGA2420
RGA12200	252	1,014	E8	13		
RGA1224	241, 252	849	EC	13		RGA2424

<sup>(1)</sup> Shipping weight is approximate.

<sup>(2)</sup> Baldor has suggested alternate products, however there may be slight differences in performance, efficiency, voltage range, dimensions and mounting. Customers should verify suitability of selected products for their specific application.

Gearmotors and Gear Products

Motor Accessories

Grinders

Generators

Servo Motors and Controls

Mod Express

Baldor Education Workshops

Warranties and Sales Policies

Cross Reference and Index

Baldor District Offices

Gearmotors and Gear Products

Motor Accessories

Grinders

Generators

Servo Motors and Controls

Mod Express

Baldor Education Workshops

Warranties and Sales Policies

Cross Reference and Index

Baldor Sales Offices

Catalog Number	Page Number	List Price	Mult Sym	Ship Wgt <sup>(1)</sup>	Type	Alternate Cat Number <sup>(2)</sup>
RGA1230	241, 252	849	EC	12		RGA2430
RGA1260	241, 252	849	EC	12		RGA2460
RGA14202	241, 252	11,731	EC	100		
RGA14204	241, 252	11,731	EC	184		
RGA2404	241, 252	1,299	EC	24		RGA4804
RGA2406	241, 252	1,299	EC	24		RGA4806
RGA2410	241, 252	1,299	EC	23		RGA4810
RGA24120	241, 252	1,299	EC	19		
RGA2420	241, 252	1,299	EC	24		RGA4820
RGA2424	241, 252	1,299	EC	25		RGA4824
RGA2430	241, 252	1,299	EC	19		
RGA2460	241, 252	1,299	EC	20		RGA4860
RGA4802	241, 252	2,107	EC	29		RGA6402
RGA4804	241, 252	2,107	EC	30		
RGA4806	241, 252	2,107	EC	27		
RGA4810	241, 252	2,107	EC	30		
RGA4814	241, 252	2,107	EC	31		
RGA4820	241, 252	2,107	EC	30		
RGA4824	241, 252	2,107	EC	30		
RGA4830	241, 252	2,107	EC	26		
RGA4860	241, 252	2,107	EC	26		
RGA6120	241, 252	572	EC	11		RGA12120
RGA620	241, 252	572	EC	12		RGA1220
RGA630	241, 252	572	EC	10		RGA1230
RGA6402	241, 252	5,312	EC	55		RGA9602
RGA6404	241, 252	5,312	EC	79		RGA9604
RGA6414	241, 252	5,312	EC	46		
RGA660	241, 252	572	EC	11		RGA1260
RGA9602	241, 252	8,525	EC	74		RGA14202
RGA9604	241, 252	8,525	EC	101		RGA14204
RHC144A	115	221	C1	20		
RHC164A	115	250	C1	24	1710C	
RHC244A	115	226	C1	22		RL1303A
RHC264A	115	257	C1	24	1714C	
RHC344A	115	271	C1	24		RL1208A
RHC345A	115	273	C1	24		RL1303A
RHC364A	115	302	C1	26	1724C	
RHC365A	115	309	C1	26	1724C	
RHC445A	115	290	C1	27		RL1307A
RHC465A	115	340	C1	27	1728C	
RHC545A	115	327	C1	28		
RHC565A	115	389	C1	45	1932C	RL1310A
RHC645A	115	375	C1	44		
RHC665A	115	446	C1	55	1940C	RL1319A
RHC745A	115	437	C1	45	1932C	
RHM144A	115	212	C1	22		RM3003
RHM164A	115	244	C1	22		
RHM244A	115	221	C1	25	1712M	
RHM265A	115	249	C1	25	1712M	RM3007
RHM3003	126	255	K	19	3410M	RHM144A
RHM3007	126	258	K	25		RHM244A
RHM3010	126	323	K	22		RHM344A

Catalog Number	Page Number	List Price	Mult Sym	Ship Wgt <sup>(1)</sup>	Type	Alternate Cat Number <sup>(2)</sup>
RHM3104	126	292	K	21		
RHM3108	126	335	K	24		RHM345A
RHM3108A	126	387	K	24		RHM3112A
RHM3111	126	337	K	24		
RHM3111A	126	390	K	23		
RHM3112	126	369	K	31		RHM445A
RHM3112A	126	417	K	26		
RHM3115	126	358	K	24		
RHM3115A	126	413	K	24		
RHM3116	126	388	K	32		RHM545A
RHM3116A	126	440	K	33		
RHM3120A	126	467	K	32		
RHM3154	126	448	K	37		RHM645A
RHM3154A	126	452	K	38		
RHM3155A	126	541	K	33		
RHM3157	126	487	K	38		RHM745A
RHM3157A	126	521	K	38		RHM745A
RHM3158	126	599	K	42		
RHM3158TA	126	590	L1	41		
RHM3161TA	126	575	L1	60		
RHM3162TA	126	806	K	53		
RHM344A	115	260	C1	25	1712M	
RHM345A	115	265	C1	25		RM3010
RHM364A	115	294	C1	27	1720M	RM3108
RHM365A	115	296	C1	26		
RHM445A	115	279	C1	27		RM3112
RHM465A	115	337	C1	27	1726M	
RHM545A	115	326	C1	28		RM3116
RHM565A	115	392	C1	36		
RHM645A	115	381	C1	34		
RHM665A	115	434	C1	48		RM3154
RHM745A	115	424	C1	36		RM3157
RK60-145	323	632	E9	2		
RK60-56	323	632	E9	2		
RL1301A277	120	375	K	23		
RL1304A	120	364	K	26		RL1323A
RL1304A277	120	390	K	26		
RL1306A	120	335	K	26		RL425A
RL1307A	120	448	K	35		RL445A
RL1307A277	120	537	K	31		
RL1309A	120	385	K	34		RL1317A
RL1310A	120	486	K	33		RL1319A
RL1310A277	120	553	K	38		
RL1313A	120	497	K	39		RL1317A
RL1317A	120	618	K	43		RL725A
RL1319A	120	588	K	42		RL645A
RL1319A277	120	601	K	46		
RL1323A	120	332	K	24		RL1304A
RL1324A	120	360	K	31		RL1307A
RL144A	114	226	C1	21		RL245A
RL224A	114	203	C1	18		RL1205A
RL245A	114	243	C1	25		RL1301A

(1) Shipping weight is approximate.

(2) Baldor has suggested alternate products, however there may be slight differences in performance, efficiency, voltage range, dimensions and mounting. Customers should verify suitability of selected products for their specific application.

Catalog Number	Page Number	List Price	Mult Sym	Ship Wgt <sup>(1)</sup>	Type	Alternate Cat Number <sup>(2)</sup>
RL324A	114	221	C1	23		RL1208A
RL325A	114	223	C1	23		RL1303A
RL344A	114	278	C1	25		
RL345A	114	280	C1	25		RL1304A
RL425A	114	262	C1	23		RL1306A
RL445A	114	297	C1	33		RL1307A
RL525A	114	313	C1	30		RL1309A
RL545A	114	375	C1	32		RL1310A
RM3003	120	267	K	19		RM3007
RM3006	120	256	K	20		RM3009
RM3007	120	270	K	21		RM3010
RM3009	120	270	K	19		
RM3010	120	340	K	23		
RM3104	120	307	K	22		RM3108
RM3108	120	349	K	23		RM3112
RM3108A	123	409	K	24		RM3112A
RM3111	120	355	K	22		RM3115
RM3111A	123	412	K	23		RM3115A
RM3112	120	388	K	27		RM3116
RM3112A	123	441	K	27		RM3116A
RM3115	120	375	K	24		RM3120
RM3115A	123	433	K	25		RM3120A
RM3116	120	411	K	33		RM3154
RM3116A	123	459	K	27		RM3154A
RM3120	120	456	K	31		RM3155
RM3120A	123	491	K	30		RM3155A
RM3154	120	473	K	34		RM3157
RM3154A	123	488	K	33		RM3157A
RM3155	120	530	K	33		RM3158
RM3155A	123	568	K	33		RM3158TA
RM3157	120	512	K	37		
RM3157A	123	559	K	40		RM3161TA
RM3158	120	548	K	39		
RM3158TA	123	562	K	45		
RM3161TA	123	611	K	55	3535M	
RSP1441A	117	197	C1	26		
RSP1442A	117	201	C1	27		
RSP2441A	117	210	C1	23		
RSP2442A	117	214	C1	22		
RSP2451A	117	213	C1	27		
RSP2452A	117	221	C1	25		
RSP3441A	117	245	C1	27		
RSP3442A	117	250	C1	23		
RSP3451A	117	248	C1	25		
RSP3452A	117	255	C1	23		
RTA2-2	252	2,690	E8	13		
RTA2-4	252	1,900	E8	13		RTA2-2
RTA2-6	252	1,615	E8	10		RTA2-4
RTA4-10	252	2,043	E8	14		RTA4-4
RTA4-2	252	3,795	E8	14		
RTA4-20	252	1,441	E8	14		RTA4-10
RTA4-4	252	2,690	E8	14		RTA4-2

Catalog Number	Page Number	List Price	Mult Sym	Ship Wgt <sup>(1)</sup>	Type	Alternate Cat Number <sup>(2)</sup>
RTA5-14	252	2,248	E8	17		RTA5-4
RTA5-24	252	1,600	E8	13		RTA5-14
RTA5-4	252	2,959	E8	14		
S20CA	329	538	E7	4		S21CA
S21CA	329	559	E7	4		S22CA
S22CA	329	597	E7	4		S23CA
S23CA	329	637	E7	4		
S25CA	329	1,065	E7	19		
S46	401	112	A8	3		
S61	401	112	A8	3		
SFL913B5	384	151	A8	8		
SFL918B5	384	151	A8	9		
SFL918B7	384	151	A8	8		
SFL921B5	384	169	A8	11		
SFL921B7	384	169	A8	11		
SFL924B5	384	169	A8	11		
SFL924B7	384	169	A8	11		
SFL926B5	384	217	A8	14		
SFL926B7	384	217	A8	15		
SH10HS	341, 391	21	A8	2		
SSB18H71	383	329	A8	8		
SSB21H71	383	342	A8	10		
SSB26H71	383	378	A8	13		
SSGF0518AG	366	1,553	GB	30		
SSGF0518BG	366	1,553	GB	30		SSGF0521BG
SSGF0521BG	366	1,817	GB	35		SSGF0526BG
SSGF0526BG	366	2,556	GB	65		
SSGF1018AG	366	1,553	GB	30		
SSGF1018BG	366	1,553	GB	30		SSGF1021BG
SSGF1021BG	366	1,817	GB	35		SSGF1026BG
SSGF1026BG	366	2,556	GB	65		
SSGF1518AG	366	1,553	GB	30		SSGF1521AG
SSGF1521AG	366	1,817	GB	35		
SSGF1526BG	366	2,556	GB	65		
SSGF2018AG	366	1,553	GB	30		SSGF2021AG
SSGF2021AG	366	1,817	GB	35		
SSGF2026BG	366	2,556	GB	65		
SSGF2518AG	366	1,553	GB	30		SSGF2521AG
SSGF2521AG	366	1,817	GB	35		
SSGF2526BG	366	2,556	GB	65		
SSGF3018AG	366	1,553	GB	30		SSGF3021AG
SSGF3021AG	366	1,817	GB	35		
SSGF3026BG	366	2,556	GB	65		
SSGF4018AG	366	1,553	GB	30		SSGF4021AG
SSGF4021AG	366	1,817	GB	35		
SSGF4026BG	366	2,556	GB	65		
SSGF5018AG	366	1,553	GB	30		SSGF5021AG
SSGF5021AG	366	1,817	GB	35		SSGF5026AG
SSGF5026AG	366	2,556	GB	65		
SSGF6018AG	366	1,553	GB	30		SSGF6021AG
SSGF6021AG	366	1,817	GB	35		SSGF6026AG
SSGF6026AG	366	2,556	GB	65		

<sup>(1)</sup> Shipping weight is approximate.

<sup>(2)</sup> Baldor has suggested alternate products, however there may be slight differences in performance, efficiency, voltage range, dimensions and mounting. Customers should verify suitability of selected products for their specific application.



Gearmotors and Gear Products

Motor Accessories

Grinders

Generators

Servo Motors and Controls

Mod Express

Baldor Education Workshops

Warranties and Sales Policies

Cross Reference and Index

Baldor Sales Offices

Catalog Number	Page Number	List Price	Mult Sym	Ship Wgt <sup>(1)</sup>	Type	Alternate Cat Number <sup>(2)</sup>
SSGHF0518AH	367	1,640	GB	30		
SSGHF1018AH	367	1,640	GB	30		SSGHF1021AH
SSGHF1021AH	367	1,900	GB	38		
SSGHF1518AH	367	1,640	GB	30		SSGHF1521AH
SSGHF1521AH	367	1,900	GB	38		
SSGHF2018AH	367	1,640	GB	30		SSGHF2021AH
SSGHF2021AH	367	1,900	GB	38		
SSGHF2026AH	367	2,734	GB	60		
SSGHF3018AH	367	1,640	GB	30		SSGHF3021AH
SSGHF3021AH	367	1,900	GB	38		SSGHF3026AH
SSGHF3026AH	367	2,734	GB	60		
SSGHF4018AH	367	1,640	GB	30		SSGHF4021AH
SSGHF4021AH	367	1,900	GB	38		SSGHF4026AH
SSGHF4026AH	367	2,734	GB	60		
SSGHF4026BH	367	2,734	GB	60		
SSGHF5018AH	367	1,640	GB	30		SSGHF5021AH
SSGHF5021AH	367	1,900	GB	38		
SSGHF5026AH	367	2,734	GB	53		
SSGHF6018AH	367	1,640	GB	30		SSGHF6021AH
SSGHF6021AH	367	1,900	GB	38		SSGHF6026AH
SSGHF6026AH	367	2,734	GB	60		
T70EA	330	538	E7	4		T71EA
T71EA	330	559	E7	4		T72EA
T72EA	330	597	E7	4		T73EA
T73EA	330	637	E7	4		
T80EA	330	578	E7	4		T81EA
T81EA	330	597	E7	4		T82EA
T82EA	330	637	E7	4		
TA13HK	384	141	A8	2		
TA18HK	384	156	A8	2		
TA21HK	384	174	A8	2		
TA24HK	384	175	A8	2		
TA26HK	384	178	A8	2		
TA30HK	384	182	A8	2		
TA32HK	384	186	A8	2		
TA38HK	384	194	A8	2		
TK3300	284	168	A8	1		
TK3300-HPU	323	95	A8	1		
TK3400	284	298	A8	4		
TK3400-HPU	323	110	A8	1		
TK3500	284	314	A8	9		
TK3600	284	415	A8	5		
TK3600PM	284	415	A8	3		
TK7500	284	429	A8	17		
TK9100	284	464	A8	23		
TKP1836ENC	282	664	A8	17		
TKP1836XP	282	872	A8	1		
TKP2136AC	282	53	A8	2		
TKP2136NC	282	53	A8	3		
TKP2136XC	282	1,218	A8	16		
TKP2136XPT	282	872	A8	13		
TKP400AC	282	53	A8	1		

Catalog Number	Page Number	List Price	Mult Sym	Ship Wgt <sup>(1)</sup>	Type	Alternate Cat Number <sup>(2)</sup>
TKP400ENC	282	664	A8	16		
TKP400NC	282	53	A8	1		
TKP400XP	282	872	A8	3		
TKP500AC	282	53	A8	1		
TKP500ENC	282	664	A8	17		
TKP500NC	282	53	A8	1		
TKP500XC	282	1,218	A8	7		
TKP500XP	282	872	A8	3		
UCC10150	136	2,011	L1	128		
UCC5700	136	968	L1	71		
UCC7100	136	1,064	L1	80		
UCCE130	136	1,866	L1	140		
UCCE345	136	925	L1	72		
UCCE570	136	1,066	L1	83		
UCCE7510	136	1,477	L1	106		
UCCE759	136	1,174	L1	90		
UCL1015	135	1,862	L1	134		
UCL153	135	825	L1	51		
UCL3145	135	877	L1	60		
UCL345	135	914	L1	70		
UCL570	135	1,080	L1	93		
UCL710	135	1,158	L1	92		
UCL7510	135	1,467	L1	105		
UCLE1015	135	1,896	L1	160		
UCLE153	135	907	L1	52	3532LC	
UCLE3145	135	929	L1	60	3540LC	
UCLE570	135	1,132	L1	94		
UCLE7510	135	1,223	L1	92		
UCM1014	135	1,228	L1	101		
UCM153	135	558	L1	39		
UCM3145	135	625	L1	42		
UCM345	135	650	L1	54		
UCM575	135	798	L1	64		
UCM713	135	955	L1	86		
UCME1014	135	1,268	L1	120		
UCME153	135	638	L1	42		
UCME3145	135	674	L1	45		
UCME345	135	720	L1	65		
UCME570	135	847	L1	66		
UCME7510	135	993	L1	82		
UCME759	135	993	L1	85		
V2L145A	113	213	C1	20		VL145A
V2L225A	113	208	C1	21		VL225A
V2L245A	113	248	C1	23		VL245A
V2L325A	113	234	C1	24		VL325A
V2L345A	113	283	C1	26		VL345A
V2L425A	113	266	C1	26		VL425A
V2L445A	113	318	C1	39		VL445A
V2L525A	113	298	C1	34		VL525A
VBL3507	157	1,104	K	41		VBL3510
VBL3510	157	1,170	K	48		
VBL3510T	157	1,170	L1	49		

(1) Shipping weight is approximate.

(2) Baldor has suggested alternate products, however there may be slight differences in performance, efficiency, voltage range, dimensions and mounting. Customers should verify suitability of selected products for their specific application.

Catalog Number	Page Number	List Price	Mult Sym	Ship Wgt <sup>(1)</sup>	Type	Alternate Cat Number <sup>(2)</sup>
VBL3518-D	152	1,018	K	44		
VBL3519-D	152	1,131	K	50		
VBL3597-D	152	1,075	K	47		
VBM3108	158	767	K	28		VBM3538
VBM3112	158	896	K	32		VBM3542
VBM3116	158	970	K	34		VBM3546
VBM3116T	158	970	L1	34		VBM3546T
VBM3154	158	1,127	K	42		VBM3554
VBM3154T	158	1,127	L1	42		VBM3554T
VBM3157T	158	1,270	L1	47		VBM3558T
VBM3211T	158	1,609	L1	71		VBM3611T
VBM3218T	158	1,997	L1	77		VBM3248T
VBM3248T	158	1,679	L1	74		VBM3218T
VBM3538	157	813	K	31		VBM3542
VBM3538-5D	153	1,014	K	25		
VBM3538-5S	154	962	K	24	3516M	
VBM3538-D	153	1,014	K	27		
VBM3538-S	154	962	K	44		
VBM3542	157	953	K	37		VBM3546
VBM3542-5	157	953	K	42		
VBM3542-D	153	1,053	K	41	3517M	
VBM3542-S	154	1,002	K	41	3517M	
VBM3546	157	1,097	K	38		VBM3554
VBM3546-5S	154	1,047	K	47		
VBM3546-D	153	1,101	K	20	3516M	
VBM3546-S	154	1,047	K	44	3516M	
VBM3546T	157	1,097	L1	39		
VBM3546T-5	157	1,097	L1	39		
VBM3546T-5D	153	1,101	L1	27		
VBM3546T-D	153	1,101	L1	38	3516M	
VBM3546T-S	154	1,047	L1	45	3516M	
VBM3554	157	1,232	K	43		VBM3558
VBM3554-D	153	1,142	K	51	3520M	
VBM3554-S	154	1,086	K	51	3520M	
VBM3554T	157	1,232	L1	52		VBM3558T
VBM3554T-5D	153	1,142	L1	57		
VBM3554T-5S	154	1,086	L1	52		
VBM3554T-D	153	1,142	L1	45	3520M	
VBM3554T-S	154	1,086	L1	51	3520M	
VBM3558	157	1,263	K	52		
VBM3558-D	153	1,168	K	56	3524M	
VBM3558-S	154	1,111	K	52	3524M	
VBM3558T	157	1,263	L1	51		
VBM3558T-5D	153	1,168	L1	31		
VBM3558T-5S	154	1,111	L1	58		
VBM3558T-D	153	1,168	L1	65	3524M	
VBM3558T-S	154	1,111	L1	52	3524M	
VBM3611T	157	1,766	L1	67		
VBM3611T-5D	153	1,618	L1	65		
VBM3611T-D	153	1,618	L1	65		
VBM3611T-S	154	1,537	L1	85		
VBM3615T	157	2,182	L1	85		

Catalog Number	Page Number	List Price	Mult Sym	Ship Wgt <sup>(1)</sup>	Type	Alternate Cat Number <sup>(2)</sup>
VBM3615T-5D	153	2,001	L1	114		
VBM3615T-D	153	2,001	L1	115	3643M	
VBM3615T-S	154	1,901	L1	88		
VBM3710T	157	2,795	L1	161	3727M	
VBM3710T-D	153	2,611	L1	162	3731M	
VBM3714T	157	3,547	L1	171	3740M	
VBM3714T-D	153	3,299	L1	174		
VBNM3538-D	153	1,038	K	45		
VBNM3542-D	153	1,077	K	20		
VBNM3546-D	153	1,126	K	51		
VBNM3546T-D	153	1,126	L1	28		
VBNM3554-D	153	1,166	K	60		
VBNM3554T-D	153	1,166	L1	33		
VCP2276T	65	2,144	SD	316		
VCP2332T	65	2,853	SD	326		
VCP2333T	65	2,426	SD	312		
VCP2334T	65	2,653	SD	325		
VCP3580-4	64	715	SD	51		
VCP3581	64	587	SD	54	0516M	
VCP3581-4	64	587	SD	54		
VCP3581T	64	587	SD	56	0516M	
VCP3581T-4	64	587	SD	53		
VCP3582T	64	853	SD	64	0526M	
VCP3583T-4	64	806	SD	55		
VCP3584T	64	738	SD	60		
VCP3584T-4	64	738	SD	57	VCP3587T-4	
VCP3586T-4	65	857	SD	59		
VCP3587T	65	754	SD	67	0523M	
VCP3587T-4	65	754	SD	60		
VCP3660T-4	65	1,047	SD	125		
VCP3661T	65	1,072	SD	132		
VCP3661T-4	65	1,072	SD	130		
VCP3663T-4	65	1,305	SD	135		
VCP3664T	65	934	SD	136		
VCP3665T	65	1,104	SD	146		
VCP3665T-4	65	1,104	SD	138		
VCP3667T	65	1,001	SD	138		
VCP3764T	65	1,489	SD	175		
VCP3769T-4	65	1,692	SD	181		
VCP3770T	65	1,520	SD	187		
VCP3770T-4	65	1,520	SD	188		
VCP3771T-4	65	1,800	SD	186		
VCP3774T	65	1,635	SD	191		
VCP3774T-4	65	1,635	SD	194		
VCP4100T	65	4,013	SD	322		
VCP4102T	65	4,575	SD	444		
VCP4103T	65	3,302	SD	438		
VCP4111T	65	5,516	SD	655		
VEBM3546	155	1,309	K	52		
VEBM3546T	155	1,318	L1	49	3524M	
VEBM3554	155	1,472	K	26		
VEBM3554T	155	1,481	L1	52	3530M	

<sup>(1)</sup> Shipping weight is approximate.

<sup>(2)</sup> Baldor has suggested alternate products, however there may be slight differences in performance, efficiency, voltage range, dimensions and mounting. Customers should verify suitability of selected products for their specific application.

Gearmotors and Gear Products

Motor Accessories

Grinders

Generators

Servo Motors and Controls

Mod Express

Baldor Education Workshops

Warranties and Sales Policies

Cross Reference and Index

Baldor District Offices

Gearmotors and Gear Products  
 Motor Accessories  
 Grinders  
 Generators  
 Servo Motors and Controls  
 Mod Express  
 Baldor Education Workshops  
 Warranties and Sales Policies  
 Cross Reference and Index  
 Baldor Sales Offices

Catalog Number	Page Number	List Price	Mult Sym	Ship Wgt <sup>(1)</sup>	Type	Alternate Cat Number <sup>(2)</sup>
VEBM3558	155	1,512	K	34		
VEBM3558T	155	1,512	L1	57		
VEBM3611T	155	1,981	L1	81		
VEBM3615T	155	2,386	L1	101	3643M	
VEBM3710T	155	3,258	L1	126		
VEBM3714T	155	3,995	L1	158		
VEBNM3538	155	1,149	K	41	3516M	
VEBNM3542	155	1,292	K	19	3517M	
VEBNM3546	155	1,292	K	50		
VECP2276T	65	2,857	SD	360		
VECP2332T	65	3,576	SD	361		
VECP2333T	65	2,761	SD	339		
VECP2333T-4	65	2,761	SD	340		
VECP2334T	65	2,927	SD	356		
VECP3580-4	64	842	SD	53		
VECP3581	64	920	SD	66	0524M	
VECP3581-4	64	920	SD	58	0524M	
VECP3581T	64	920	SD	62	0524M	
VECP3582T	64	1,014	SD	67		
VECP3583T-4	64	950	SD	51		
VECP3584T	64	936	SD	66	0528M	
VECP3584T-4	64	936	SD	64	0529M	
VECP3586T-4	65	995	SD	48		
VECP3587T	65	975	SD	70	0532M	
VECP3587T-4	65	975	SD	67	0532M	
VECP3660T-4	65	1,195	SD	132		
VECP3661T	65	1,252	SD	142		
VECP3661T-4	65	1,252	SD	142		
VECP3663T-4	65	1,453	SD	143		
VECP3664T	65	1,221	SD	150		
VECP3665T	65	1,274	SD	150		
VECP3665T-4	65	1,274	SD	146		
VECP3667T	65	1,204	SD	146		
VECP3681T-4	64	920	SD	58	0524M	
VECP3764T	65	1,802	SD	200		
VECP3768T	65	1,823	SD	203		
VECP3769T-4	65	1,947	SD	198		
VECP3770T	65	1,655	SD	209		
VECP3770T-4	65	1,655	SD	214		
VECP3771T-4	65	2,063	SD	200		
VECP3774T	65	1,955	SD	212		
VECP3774T-4	65	1,955	SD	219		
VECP4100T	65	4,216	SD	472		
VECP4102T	65	5,503	SD	482		
VECP4103T	65	3,876	SD	478		
VECP4111T	65	5,792	SD	717		
VECP82333T-4	68	2,794	SD	342		
VECP82334T-4	68	2,962	SD	355		
VECP82394T-4	68	2,865	SD	362		
VECP83583T-4	68	970	SD	30		
VECP83584T-4	68	1,009	SD	49	0529M	
VECP83586T-4	68	1,064	SD	67	0535M	

Catalog Number	Page Number	List Price	Mult Sym	Ship Wgt <sup>(1)</sup>	Type	Alternate Cat Number <sup>(2)</sup>
VECP83587T-4	68	1,052	SD	77	0532M	
VECP83660T-4	68	1,293	SD	128		
VECP83661T-4	68	1,370	SD	141		
VECP83663T-4	68	1,575	SD	136		
VECP83665T-4	68	1,378	SD	146		
VECP83769T-4	68	2,032	SD	194		
VECP83770T-4	68	1,736	SD	205		
VECP83771T-4	68	2,158	SD	185		
VECP83774T-4	68	2,104	SD	215		
VECP84106T-4	68	3,267	SD	363		
VEFWM3546T	78	900	WD	39	3524M	
VEFWM3554T	79	966	WD	45	3530M	
VEJMM3116T	106, 30	595	L1	40		
VEJMM3154T	106, 30	638	L1	49		
VEJMM3157T	106, 30	698	L1	50		
VEJMM3211T	106, 30	766	L1	74		
VEJMM3218T	106, 30	867	L1	87		
VEJMM3311T	106, 30	1,308	L1	119	3733M	
VEJMM3313T	106, 30	1,416	L1	158		
VEJMM3546T	104, 30	581	L1	41	3524M	
VEJMM3554T	104, 30	613	L1	43		
VEJMM3558T	104, 30	734	L1	49		
VEJMM3611T	104, 30	838	L1	70		
VEJMM3615T	105, 30	967	L1	90		
VEJMM3710T	105, 30	1,416	L1	128		
VEJMM3714T	105, 30	1,640	L1	158		
VEM3538	12, 48	511	K	31	3513M	
VEM3542	12, 48	542	K	34	3517M	
VEM3545	12, 48	557	K	32		VM3545
VEM3546	12, 48	558	K	39		VM3546
VEM3546T	12, 48	569	L1	42		
VEM3550	12, 49	588	K	41		VM3550
VEM3554	12, 49	620	K	45		VM3554
VEM3554T	12, 49	594	L1	42		
VEM3555	12, 49	645	K	49		VM3555
VEM3556	48	725	K	43		VM3556
VEM3558	12, 49	655	K	49		VM3558
VEM3558T	12, 49	666	L1	47		
VEM3581	12, 48	814	K	54	0524M	
VEM3581T	12, 48	814	L1	55		
VEM3581T-5	167, 18	814	L1	55		
VEM3584T	12, 49	816	L1	61		
VEM3584T-5	167, 18	816	L1	59		
VEM3587T	12, 49	879	L1	64		
VEM3587T-5	167, 18	879	L1	62		
VEM3610T	12, 49	790	L1	64	3624M	
VEM3611T	12, 49	755	LS	68	3628M	
VEM3613T	12, 49	871	L1	78		
VEM3615T	12, 49	822	LS	92		
VEM3661T	12, 49	1,018	L1	97		
VEM3661T-5	167, 18	1,018	L1	94		
VEM3665T	12, 49	1,020	L1	112		

(1) Shipping weight is approximate.

(2) Baldor has suggested alternate products, however there may be slight differences in performance, efficiency, voltage range, dimensions and mounting. Customers should verify suitability of selected products for their specific application.

Catalog Number	Page Number	List Price	Mult Sym	Ship Wgt <sup>(1)</sup>	Type	Alternate Cat Number <sup>(2)</sup>
VEM3665T-5	167, 18	1,020	L1	110		
VEM3770T	12, 50	1,414	L1	170		
VEM3770T-5	167, 18	1,414	L1	164		
VEM3774T	12, 50	1,569	L1	231		
VEM3774T-5	167, 18	1,569	L1	197		
VENCP83580T-4	68	829	SD	56	0520M	
VENCP83581T-4	68	895	SD	58	0524M	
VENM3538	48	539	K	35		
VENM3542	48	589	L1	33	3517M	
VENM3546T	48	594	L1	14		
VENM3581T	48	851	L1	55	0524M	
VESWDM3546	81	921	WD	39		
VESWDM3554	81	1,004	WD	47		
VESWDM3554T	81	1,004	WD	47		
VESWDM3558T	81	1,146	WD	50		
VEUHM3538	151	511	K	40		
VEUHM3542	151	542	K	34	3517M	
VEUHM3546	151	558	K	39	3524M	
VEUHM3546T	151	569	L1	39	3524M	
VEUHM3554T	151	594	L1	43	3530M	
VEUHM3558T	151	660	L1	51		
VEUHM3611T	151	749	L1	64		
VEWDM3546	78	870	WD	45		
VEWDM3546T	78	876	WD	46		
VEWDM3554	79	934	WD	45		
VEWDM3554T	79	941	WD	48		
VEWDM3558	79	994	WD	49		
VEWDM3558T	79	1,013	WD	48		
VEWDM3611T	79	1,274	WD	69	3628M	
VEWDM3615T	79	1,444	WD	91		
VEWDM3710T	79	1,931	WD	122		
VEWDM3714T	79	2,075	WD	155		
VFDL3501M	133	457	K	23		VFDL3504M
VFDL3504M	133	526	K	28		VFDL3507M
VFDL3507M	133	613	K	38		
VFDL3510M	133	696	K	39		VFDL3514M
VFDL3514M	133	790	K	47		
VFDL3516TM	133	1,027	L1	52		CL3516TM
VFDL3610TM	133	1,392	L1	97		
VFDL3612TM	133	1,704	L1	98		
VFWDM3538	78	570	WD	35		
VFWDM3542	78	617	WD	31	3514M	
VHECP2333T	108	3,842	SD	255		
VHECP2334T	108	4,363	SD	303		
VHECP2394T	108	3,706	SD	285	0934M	
VHECP3660T	108	2,016	SD	120		
VHECP3661T	108	1,805	SD	121		
VHECP3663T	108	2,604	SD	128		
VHECP3665T	108	2,404	SD	142		
VHECP3769T	108	3,083	SD	173		
VHECP3770T	108	2,984	SD	170		
VHECP3771T	108	3,215	SD	203		

Catalog Number	Page Number	List Price	Mult Sym	Ship Wgt <sup>(1)</sup>	Type	Alternate Cat Number <sup>(2)</sup>
VHECP3774T	108	3,348	SD	231		
VHECP4103T	108	4,868	SD	462		
VHECP4104T	108	5,463	SD	506		
VHECP4106T	108	4,031	SD	265	0944M	
VHECP4107T	108	4,286	SD	335		
VHECP4108T	108	4,720	SD	325		
VHECP4109T	108	6,606	SD	612		
VHECP4110T	108	6,178	SD	670		
VHECP4114T	108	8,096	SD	641		
VHECP4115T	108	8,728	SD	717		
VHECP4310T	108	10,343	SD	881		
VHECP4313T	108	12,923	SD	953		
VHECP4314T	108	10,797	SD	885		
VHECP4316T	108	13,149	SD	973		
VHM2513T	109	3,058	L1	255		
VHM2514T	109	3,210	L1	253		
VHM2515T	109	3,474	L1	255	0936M	
VHM2516T	109	3,415	L1	239		
VHM2531T	109	3,876	L1	454		
VHM2534T	109	3,757	L1	444		
VHM2535T	109	4,353	L1	473	1046M	
VHM2538T	109	5,422	L1	463		
VHM2539T	109	5,070	L1	703	1248M	
VHM2542T	109	6,644	L1	686		
VHM2543T	109	7,162	L1	730		
VHM2546T	109	8,488	L1	730		
VHM2547T	109	8,860	L1	908		
VHM2549T	109	10,605	L1	815	1452M	
VHM2551T	109	10,789	L1	962	1462M	
VHM3210T	109	1,753	L1	87		
VHM3211T	109	1,567	L1	96	0623M	
VHM3212T	109	2,262	L1	99	0628M	
VHM3218T	109	2,088	L1	137		
VHM3219T	109	2,679	L1	115		
VHM3311T	109	2,592	L1	169		
VHM3312T	109	2,796	L1	169		
VHM3313T	109	2,908	L1	206	0731M	
VHM3314T	109	2,951	L1	179	0740M	
VJMM2333T	105	2,236	L1	200		
VJMM2333T-5	173	2,236	L1	190		
VJMM2334T	105	2,311	L1	257		
VJMM2334T-5	173	2,311	L1	267	0944M	
VJMM3116T	106	467	L1	35	3514M	
VJMM3154T	106	474	L1	36		VJMM3157T
VJMM3157T	106	529	L1	40		
VJMM3158T	106	588	L1	44		
VJMM3211T	106	578	L1	57		
VJMM3212T	106	681	L1	60		
VJMM3218T	106	618	L1	67		
VJMM3219T	106	802	L1	78		
VJMM3311T	106	903	L1	100	3723M	
VJMM3312T	106	1,006	L1	91		

<sup>(1)</sup> Shipping weight is approximate.

<sup>(2)</sup> Baldor has suggested alternate products, however there may be slight differences in performance, efficiency, voltage range, dimensions and mounting. Customers should verify suitability of selected products for their specific application.

Gearmotors and Gear Products

Motor Accessories

Grinders

Generators

Servo Motors and Controls

Mod Express

Baldor Education Workshops

Warranties and Sales Policies

Cross Reference and Index

Baldor District Offices

Gearmotors and Gear Products

Motor Accessories

Grinders

Generators

Servo Motors and Controls

Mod Express

Baldor Education Workshops

Warranties and Sales Policies

Cross Reference and Index

Baldor Sales Offices

Catalog Number	Page Number	List Price	Mult Sym	Ship Wgt <sup>(1)</sup>	Type	Alternate Cat Number <sup>(2)</sup>
VJMM3313T	106	1,057	L1	109	3733M	
VJMM3314T	106	1,357	L1	114		
VJMM3546T	104	521	L1	32	3514M	
VJMM3546T-5	173	521	L1	36		
VJMM3554T	104	546	L1	34		
VJMM3554T-5	173	546	L1	34		
VJMM3558T	104	571	L1	42		
VJMM3558T-5	173	571	L1	45		
VJMM3611T	104	682	L1	65		
VJMM3611T-5	173	682	L1	65		
VJMM3615T	105	765	L1	76		
VJMM3615T-5	173	765	L1	76		
VJMM3710T	105	993	L1	117	3731M	
VJMM3710T-5	173	993	L1	121		
VJMM3714T	105	1,226	L1	128	3740M	
VJMM3714T-5	173	1,226	L1	130		
VL1301	37	294	K	22		CL1301
VL1303	37	267	K	21		VL1303A
VL1303A	97	283	K	26		VL1306A
VL1304	37	323	K	24		CL1304
VL1305	37	633	K	36		VL3505
VL1306	37	320	K	27		VL1306A
VL1306A	97	337	K	30		VL425A
VL1307	37	395	K	33		VL1307A
VL1307A	97	461	K	31		VL1318A
VL1308	37	709	K	43		VL3508
VL1309	37	336	K	32		VL1309A
VL1309A	97	356	K	32		VL1313A
VL1310	37	430	K	34		VL1318
VL1313	37	465	K	32		VL1313A
VL1313A	97	486	K	35		VL1317A
VL1317	37	612	K	43		VL1317A
VL1317A	97	629	K	43		VL3515
VL1318	37	468	K	42		VL1318A
VL1318A	97	489	K	41		VL545A
VL1319	37	550	K	42		VL3514
VL1321T	37	622	L1	49		VL1322T
VL1322T	37	634	L1	47		
VL1323A	97	650	K	49		VL825A
VL1406T	37	770	L1	59		VL3606T
VL1408T	37	780	L1	76		CL1408TM
VL145A	112	203	C1	21		V2L145A
VL225A	112	197	C1	19	1713L	V2L225A
VL245A	112	237	C1	24		V2L245A
VL325A	112	223	C1	22		V2L325A
VL3405	34	282	K	258		
VL345A	112	272	C1	23		V2L345A
VL3501	34	313	K	22		CL3501
VL3501-50	187	385	K	24		VL3504-50
VL3503	34	316	K	21		CL3503
VL3503-50	187	349	K	25		VL3506-50
VL3504	34	365	K	27		CL3504

Catalog Number	Page Number	List Price	Mult Sym	Ship Wgt <sup>(1)</sup>	Type	Alternate Cat Number <sup>(2)</sup>
VL3504-50	187	448	K	32		VL3507-50
VL3505	34	677	K	41		VL3508
VL3506	34	351	K	29		CL3506
VL3506-50	187	404	K	35		VL3509-50
VL3506A	34	388	K	28		VL3509A
VL3507	34	419	K	34		VFDL3507M
VL3507-50	187	530	K	36		VL3514-50
VL3508	34	779	K	41		
VL3509	34	405	K	36	3520L	VL3509A
VL3509-50	187	474	K	40		VL3513-50
VL3509A	34	442	K	40		VL3509
VL3510	34	480	K	38		CL3510
VL3510-50	187	606	K	44		VL3514-50
VL3510T	34	480	L1	39		VL3514T
VL3513	34	527	K	40		CL3513
VL3513-50	187	611	K	50		VL3515-50
VL3513T	34	559	L1	41		VL3515T
VL3514	34	544	K	47		CL3514
VL3514-50	187	685	K	47		
VL3514T	34	550	L1	47		CL3516TM
VL3515	34	674	K	51		CL3515
VL3515-50	187	775	K	52		
VL3515T	34	686	L1	50		CL3515T
VL3605	34	1,102	L1	62		
VL3605T	34	974	L1	66		
VL3606T	34	1,087	L1	71		
VL3609T	34	1,150	L1	76		VFDL3610TM
VL4005A	90	469	K	30		
VL425A	112	254	C1	26		V2L425A
VL445A	112	302	C1	26		V2L445A
VL5000A	90	616	K	30		
VL5001A	90	629	K	29		CL5001A
VL5002A	90	843	K	42		VL5005A
VL5003A	90	606	K	30		CL5003A
VL5004A	90	695	K	36		CL5004A
VL5005A	90	967	K	50		
VL5006A	90	648	K	40		VL5009A
VL5007A	90	774	K	47		CL5007A
VL5009A	90	695	K	49		CL5009A
VL5023A	90	879	K	51		CL5023A
VL5024A	90	1,161	K	72		
VL5027	90	1,847	L1	87		
VL5030	90	1,001	K	54		
VL525A	112	283	C1	28		V2L525A
VL545A	112	347	C1	31		VL1318A
VL625A	112	332	C1	38	1924L	VL1313A
VL725A	112	400	C1	41		VL1317A
VLCP2333T	108	3,675	SD	227		
VLCP2334T	108	4,171	SD	280		
VLCP2394T	108	3,544	SD	212		
VLCP3660T	108	1,930	SD	107		
VLCP3661T	108	1,726	SD	117		

(1) Shipping weight is approximate.

(2) Baldor has suggested alternate products, however there may be slight differences in performance, efficiency, voltage range, dimensions and mounting. Customers should verify suitability of selected products for their specific application.

Catalog Number	Page Number	List Price	Mult Sym	Ship Wgt <sup>(1)</sup>	Type	Alternate Cat Number <sup>(2)</sup>
VLCP3663T	108	2,491	SD	129		
VLCP3665T	108	2,299	SD	128		
VLCP3769T	108	2,950	SD	190		
VLCP3770T	108	2,853	SD	195	0729M	
VLCP3771T	108	3,077	SD	200		
VLCP3774T	108	3,202	SD	206	0731M	
VLCP4103T	108	4,655	SD	310		VLCP4104T
VLCP4104T	108	5,224	SD	315	0956M	
VLCP4106T	108	3,870	SD	308		
VLCP4107T	108	4,100	SD	476		
VLCP4108T	108	4,512	SD	496		
VLCP4109T	108	6,317	SD	624		
VLCP4110T	108	5,908	SD	640		
VM2332T	50	2,093	L1	290		
VM2333T	50	1,961	LS	199		
VM2333T-5	167	1,961	LS	266		
VM2334T	50	2,296	LS	273	0760M	
VM2334T-5	167	2,296	LS	275		
VM2394T	50	2,167	L1	200		
VM2513T	57	1,516	L1	141		CM2513T
VM2514T	57	1,873	L1	146		
VM2515T	57	1,888	L1	211		CM2515T
VM2516T	57	2,213	LS	180		
VM2531T	57	2,407	L1	226		
VM2534T	57	2,505	L1	234		
VM3104	57	268	LS	20		VM3534
VM3107	57	281	K	19		CM3107
VM3108	57	305	LS	22		VM3538
VM3109	57	474	K	25		CM3539
VM3111	57	396	K	21		VM3541
VM3112	57	337	LS	25		VM3542
VM3115	57	375	K	23		VM3545
VM3116	57	378	LS	29		VM3546
VM3116T	57	380	LS	30		CM3116T
VM3120	57	417	K	30		VM3550
VM3120T	57	445	L1	31		VM3550T
VM3153	57	510	K	33		VM3543
VM3153T	57	510	L1	33		VM3543T
VM3154	57	434	LS	34		VM3554
VM3154T	57	443	LS	35	3432M	CM3154T
VM3155	57	485	K	32		VM3555
VM3155T	57	491	L1	33		VM3555T
VM3156T	57	529	L1	37		VM3556T
VM3157	57	450	LS	38		VM3558
VM3157T	57	456	LS	38		CM3157T
VM3158	57	498	K	41		
VM3158T	57	522	L1	40		CM3158T
VM3159T	57	577	L1	41		VM3557T
VM3161T	57	535	L1	53		
VM3211	57	739	L1	50		VM3611
VM3211T	57	501	L1	61		CM3211T
VM3212T	57	566	L1	69		CM3212T

Catalog Number	Page Number	List Price	Mult Sym	Ship Wgt <sup>(1)</sup>	Type	Alternate Cat Number <sup>(2)</sup>
VM3215T	57	601	L1	58		VM3614T
VM3218	57	588	L1	66		VM3615
VM3218T	57	549	L1	65		CM3218T
VM3219T	57	694	L1	75		CM3219T
VM3305T	57	765	L1	98	3720M	VM3704T
VM3309T	57	1,004	L1	113	3726M	VM3708T
VM3311T	57	811	L1	96	3723M	CM3311T
VM3312T	57	995	L1	107		
VM3313T	57	971	L1	129	3733M	CM3313T
VM3314T	57	1,409	L1	125		
VM3531	48	423	K	19		VM3535
VM3534	48	299	LS	22		VM3538
VM3534-5	167	299	LS	20		VM3538-5
VM3534-50	187	342	K	20		VM3538-50
VM3535	48	475	K	21		VM3539
VM3537	48	324	K	19		CM3537
VM3537-5	167	324	K	19		
VM3537-50	187	372	K	23		VM3541-50
VM3538	48	343	LS	23		CM3538
VM3538-5	167	343	LS	22		VM3542-5
VM3538-50	187	401	K	25		VM3542-50
VM3539	48	510	K	23		VM3543
VM3541	48	355	K	21		CM3541
VM3541-5	167	355	K	21		
VM3541-50	187	388	K	22		VM3545-50
VM3542	48	365	LS	25		CM3542
VM3542-5	167	365	LS	25		VM3546-5
VM3542-50	187	430	K	32		
VM3543	48	521	K	32		CM3543
VM3543T	48	521	L1	33		
VM3545	48	415	K	23		CM3545
VM3545-5	167	415	K	24		
VM3545-50	187	461	K	26		
VM3546	48	381	LS	27		CM3546
VM3546-5	167	381	LS	30		VM3554-5
VM3546-50	187	456	K	37		
VM3546T	48	429	LS	35		CM3546T
VM3546T-5	167	429	LS	31		
VM3546T-50	187	456	L1	35		
VM3550	49	451	K	28		CM3550
VM3550-5	167	451	K	29		
VM3550T	49	485	L1	30		CM3550T
VM3550T-5	167	485	L1	30		
VM3550T-50	187	501	L1	36		
VM3554	49	428	LS	34		CM3554
VM3554-5	167	428	LS	34		VM3558-5
VM3554T	49	437	LS	34		CM3554T
VM3554T-5	167	437	LS	40		VM3558T-5
VM3554T-50	187	474	L1	39		VM3558T-50
VM3555	49	503	K	33		VM3559
VM3555-5	167	503	K	32	3428M	
VM3555-50	187	498	K	33		

<sup>(1)</sup> Shipping weight is approximate.

<sup>(2)</sup> Baldor has suggested alternate products, however there may be slight differences in performance, efficiency, voltage range, dimensions and mounting. Customers should verify suitability of selected products for their specific application.



Gearmotors and Gear Products

Catalog Number	Page Number	List Price	Mult Sym	Ship Wgt <sup>(1)</sup>	Type	Alternate Cat Number <sup>(2)</sup>
VM3555T	49	553	L1	34		CM3555T
VM3555T-50	187	548	L1	41		
VM3556	48	532	K	37		CM3556
VM3556T	48	578	L1	40		CM3556T
VM3557	49	607	K	40		
VM3557T	49	604	L1	39		
VM3558	49	459	LS	44		VM3561
VM3558-5	167	459	LS	41		
VM3558T	49	459	LS	42		VM3587T
VM3558T-5	167	459	LS	45		
VM3558T-50	187	503	L1	46		
VM3559	49	583	K	44		
VM3559-5	167	583	K	45		
VM3559T	49	631	L1	45		CM3559T
VM3561	49	611	K	49		
VM3561T	49	611	L1	39		
VM3603	48	730	L1	30	3514M	
VM3606	49	776	L1	34		VM3609
VM3607	49	871	L1	39		
VM3609	49	806	L1	41		VM3611
VM3610	49	784	L1	46		VM3613
VM3610T	49	691	L1	50		CM3610T
VM3610T-5	167	691	L1	56		
VM3611	49	716	LS	52		VM3615
VM3611T	49	554	LS	56		CM3611T
VM3611T-5	167	554	LS	65		CWDM3611T5
VM3613	49	846	L1	67		
VM3613T	49	787	L1	69		CM3613T
VM3613T-5	167	787	L1	72		
VM3614	49	911	L1	63		
VM3614T	49	731	L1	65		CM3614T
VM3615	49	678	LS	73		
VM3615T	49	634	LS	75		CM3615T
VM3615T-5	167	634	LS	85		
VM3616T	50	947	L1	88		CM3616T
VM3661T	49	893	L1	94	0628M	
VM3661T-9	73	839	L1	85		CM3661T
VM3663T	49	1,082	L1	89	0624M	
VM3664T	49	945	L1	99		
VM3665T	49	906	L1	106	0638M	
VM3665T-9	73	860	L1	100		
VM3703	49	1,001	L1	57	3623M	
VM3704	49	1,209	L1	94	3720M	
VM3704T	49	958	L1	96	3720M	CM3704T
VM3707	49	1,236	L1	76		
VM3708T	49	1,134	L1	123	3728M	CM3708T
VM3709T	50	1,190	L1	99		CM3709T
VM3709T-5	167	1,190	L1	87		
VM3710T	50	846	LS	117	3727M	CM3710T
VM3710T-5	167	846	LS	121		
VM3711T	50	1,238	L1	122	3730M	CM3711T
VM3711T-5	167	1,238	L1	123		

<sup>(1)</sup> Shipping weight is approximate.

<sup>(2)</sup> Baldor has suggested alternate products, however there may be slight differences in performance, efficiency, voltage range, dimensions and mounting. Customers should verify suitability of selected products for their specific application.

Motor Accessories

Grinders

Generators

Servo Motors and Controls

Mod Express

Baldor Education Workshops

Warranties and Sales Policies

Cross Reference and Index

Baldor Sales Offices

Catalog Number	Page Number	List Price	Mult Sym	Ship Wgt <sup>(1)</sup>	Type	Alternate Cat Number <sup>(2)</sup>
VM3713T	50	1,546	L1	140		CM3713T
VM3713T-5	167	1,546	L1	165		
VM3714T	50	1,008	LS	129	3740M	CM3714T
VM3714T-5	167	1,008	LS	137		
VM3770T	50	1,254	L1	164	0729M	
VM3774T	50	1,339	L1	169		
VM4103T	50	2,880	LS	373		CM4103T
VM4104T	50	2,936	LS	401		CM4104T
VM4106T	50	2,346	L1	221		
VM4107T	50	3,011	L1	371		
VM4108T	50	3,227	L1	403		
VM7001A	91	733	K	26	3410M	
VM7002A	91	748	K	28		
VM7005A	91	725	K	26		
VM7006-5	174	788	K	34		
VM7006A	91	788	K	30		
VM7006-I	94	788	SD	17		
VM7007A	91	917	K	38		
VM7009A	91	748	K	29		
VM7010-5	174	802	K	35		
VM7010A	91	802	K	33		
VM7010-I	94	802	SD	20	3514M	
VM7013	91	780	K	31		
VM7014	91	842	K	41		
VM7014-5	174	842	K	37		
VM7014-I	94	842	SD	51	3516M	
VM7014T	91	842	L1	40		
VM7014T-5	174	842	L1	44		
VM7014T-I	94	842	SD	26	3516M	
VM7018T	91	887	L1	41		
VM7026T	91	1,161	L1	74		
VM7031A	91	962	K	44		
VM7032	91	1,014	K	46		
VM7034	91	907	K	43		
VM7034-I	94	907	SD	50	3520M	
VM7034T	91	907	L1	43		
VM7034T-5	174	907	L1	47		
VM7034T-I	94	907	SD	50	3520M	
VM7035T	91	1,037	L1	58		
VM7037	91	981	K	48		
VM7037T	91	981	L1	50		
VM7037T-5	174	981	L1	51		
VM7037T-I	94	981	SD	33	3524M	
VM7042T	91	1,258	L1	81		
VM7042T-5	174	1,258	L1	92		
VM7042T-I	94	1,258	SD	80	3628M	
VM7044T	91	1,532	L1	111		
VM7044T-5	174	1,532	L1	109		
VM7044T-I	94	1,532	SD	97	3638M	
VM7045T	91	1,930	L1	144		
VM7047T	91	1,774	L1	156		
VM7047T-5	174	1,774	L1	171		

Catalog Number	Page Number	List Price	Mult Sym	Ship Wgt <sup>(1)</sup>	Type	Alternate Cat Number <sup>(2)</sup>
VM7047T-I	94	1,774	SD	165		
VM7071T	91	992	L1	47		
VM7072T	91	1,468	L1	97		
VM7073T	91	1,657	L1	107		
VM7075T	91	1,101	L1	54		
VM7170T	91	2,152	L1	220		
VM7170T-I	94	2,152	SD	230		
VM8001	75	514	SD	27		VWDM3538
VM8001-5	75	514	SD	33		
VM8002	75	648	SD	30		VM8003
VM8002-5	75	648	SD	31		
VM8003	75	698	SD	36		VM8004
VM8003T	75	730	SD	53		
VM8003T-5	75	730	SD	54		
VM8004	75	744	SD	41		VWDM3554
VM8004T	75	716	SD	56		VWDM3554T
VM8004T-5	75	716	SD	41		
VM8005	75	755	SD	44		
VM8005T	75	755	SD	64		VWDM3558T
VM8005T-5	75	755	SD	62		
VM8006T	75	1,028	SD	98		VWDM3611T
VM8007T	75	1,149	SD	110		VWDM3615T
VM8008T	75	1,483	SD	180	0729M	VWDM3710T
VM8012	75	640	SD	28		CWDM3545
VM8016	75	803	SD	58		
VM8016T	75	803	SD	61		
VM8024T	75	1,667	SD	185	0731M	WDM3714T
VM8537	75	504	SD	19		
VM8541	75	637	SD	22		
VM8550	75	757	SD	37		
VM8559T	75	877	SD	56		
VNM3537	48	456	K	32	3516M	
VNM3538	48	373	K	22		VNM3542
VNM3541	48	488	K	38	3520M	
VNM3546	48	447	K	39		
VP3311D	270	584	K	24		
VP3316D	270	617	K	28		
VP3326D	270	690	K	31		
VP3411-14	270	657	K	30		
VP3416-14	270	700	K	31		
VP3426-14	270	741	K	37		
VP3428-14	270	715	K	31		
VP3428D	270	715	K	32		
VP3436-14	270	838	K	39		
VP3436D	270	838	K	41		
VP3439-14	270	741	K	35		
VP3439D	270	741	K	37		
VP3455-14	270	1,019	K	44		
VP3455D	270	1,019	K	46		
VP3458-14	270	838	K	38		
VP3458D	270	838	K	41		
VP3468-14	270	934	L1	43		

Catalog Number	Page Number	List Price	Mult Sym	Ship Wgt <sup>(1)</sup>	Type	Alternate Cat Number <sup>(2)</sup>
VP3468D	270	934	L1	47		
VP3575-14	270	1,889	L1	71		
VP3575D	270	1,889	L1	68		
VP3585-14	270	2,254	L1	80		
VP3585D	270	2,254	L1	77		
VP3588-14	270	1,889	L1	70		
VP3588D	270	1,889	L1	69		
VP3603D	270	2,774	L1	124		
VP3605D	270	4,710	L1	165		
VP7424-14	270	404	DS	5		
VP7424D	270	404	DS	11		
VPCP4114T	109	7,741	SD	632		
VPCP4115T	109	8,345	SD	617		
VPCP4310T	109	8,901	SD	754		
VPCP4313T	109	11,121	SD	799		
VPCP4314T	109	9,294	SD	811		
VPCP4316T	109	11,316	SD	872		
VRBM3161T	152	2,011	L1	83	7543M	
VRBM3538	152	1,154	K	36		
VRBM3542	152	1,352	K	37		
VRBM3546	152	1,558	K	46		
VRBM3546T	152	1,543	L1	54		
VRBM3554T	152	1,730	L1	67	7530M	
VRBM3558T	152	1,776	L1	76	7536M	
VRBM3561T	152	1,830	L1	84	7543M	
VS1-COMMUSB	232	500	EA	1		
VS1GV210-1B	238	3,138	EC	30		
VS1GV21-1B	238	1,404	EC	20		
VS1GV21-4B	240	1,504	EC	20		
VS1GV215-1B	238	3,836	EC	30		
VS1GV220-1B	238	4,895	EC	40		
VS1GV22-1B	238	1,585	EC	20		
VS1GV22-4B	240	1,713	EC	20		
VS1GV225-1B	238	5,745	EC	52		
VS1GV230-1B	238	7,564	EC	60		
VS1GV23-1B	238	1,766	EC	20		
VS1GV23-4B	240	1,996	EC	20		
VS1GV240-1B	238	8,723	EC	65		
VS1GV250-1B	238	11,170	EC	110		
VS1GV25-1B	238	2,043	EC	20		
VS1GV25-4B	240	2,309	EC	20		
VS1GV260-1B	238	14,303	EC	110		
VS1GV27-1B	238	2,309	EC	20		
VS1GV27-4B	240	2,869	EC	20		
VS1GV4100-1B	238	14,255	EC	110		
VS1GV410-1B	238	3,055	EC	20		
VS1GV410-4B	240	3,511	EC	20		
VS1GV41-1B	238	1,915	EC	20		
VS1GV4125-1B	238	15,106	EC	110		
VS1GV41-4B	240	1,995	EC	20		
VS1GV4150-1T	238	18,150	EC	250		
VS1GV415-1B	238	3,830	EC	41		

<sup>(1)</sup> Shipping weight is approximate.

<sup>(2)</sup> Baldor has suggested alternate products, however there may be slight differences in performance, efficiency, voltage range, dimensions and mounting. Customers should verify suitability of selected products for their specific application.

Gearmotors and Gear Products

Motor Accessories

Grinders

Generators

Servo Motors and Controls

Mod Express

Baldor Education Workshops

Warranties and Sales Policies

Cross Reference and Index

Baldor District Offices

Gearmotors and Gear Products

Catalog Number	Page Number	List Price	Mult Sym	Ship Wgt <sup>(1)</sup>	Type	Alternate Cat Number <sup>(2)</sup>
VS1GV4200-1T	238	24,200	EC	250		
VS1GV420-1B	238	4,469	EC	30		
VS1GV42-1B	238	1,989	EC	20		
VS1GV42-4B	240	2,115	EC	20		
VS1GV4250-1T	238	30,250	EC	250		
VS1GV425-1B	238	5,638	EC	30		
VS1GV430-1B	238	6,596	EC	55		
VS1GV43-1B	238	2,075	EC	20		
VS1GV43-4B	240	2,393	EC	20		
VS1GV440-1B	238	8,298	EC	55		
VS1GV450-1B	238	9,787	EC	55		
VS1GV45-1B	238	2,340	EC	20		
VS1GV45-4B	240	2,738	EC	20		
VS1GV460-1B	238	10,532	EC	110		
VS1GV47-1B	238	2,690	EC	20		
VS1GV47-4B	240	3,319	EC	20		
VS1GV475-1B	238	12,340	EC	110		
VS1GV5100-1B	239	15,681	EC	130		
VS1GV510-1B	239	3,361	EC	20		
VS1GV510-4B	240	3,862	EC	20		
VS1GV51-1B	239	2,106	EC	20		
VS1GV5125-1B	239	16,617	EC	140		
VS1GV51-4B	240	2,194	EC	20		
VS1GV5150-1T	239	19,950	EC	250		
VS1GV515-1B	239	4,213	EC	30		
VS1GV5200-1T	239	26,600	EC	250		
VS1GV520-1B	239	4,915	EC	30		
VS1GV52-1B	239	2,188	EC	20		
VS1GV52-4B	240	2,326	EC	20		
VS1GV5250-1T	239	33,250	EC	250		
VS1GV525-1B	239	6,202	EC	30		
VS1GV530-1B	239	7,255	EC	60		
VS1GV53-1B	239	2,282	EC	20		
VS1GV53-4B	240	2,632	EC	20		
VS1GV540-1B	239	9,128	EC	60		
VS1GV550-1B	239	10,766	EC	60		
VS1GV55-1B	239	2,574	EC	20		
VS1GV55-4B	240	3,012	EC	20		
VS1GV560-1B	239	11,585	EC	120		
VS1GV57-1B	239	2,959	EC	20		
VS1GV57-4B	240	3,651	EC	20		
VS1GV575-1B	239	13,574	EC	125		
VS1GV61-1B	238	1,545	EC	20		
VS1GV61-4B	240	1,655	EC	20		
VS1GV62-1B	238	1,744	EC	20		
VS1GV62-4B	240	1,884	EC	20		
VS1GV63-1B	238	1,943	EC	30		
VS1GV63-4B	240	2,195	EC	20		
VS1MD20P5	220	447	EA	2		
VS1MD20P5-8	220	402	EA	2		
VS1MD21	220	464	EA	2		
VS1MD210	220	1,489	EA	8		

Catalog Number	Page Number	List Price	Mult Sym	Ship Wgt <sup>(1)</sup>	Type	Alternate Cat Number <sup>(2)</sup>
VS1MD210-8	220	1,340	EA	8		
VS1MD215	220	1,861	EA	20		
VS1MD215-8	220	1,791	EA	20		
VS1MD21-8	220	418	EA	2		
VS1MD22	220	581	EA	2		
VS1MD220	220	2,327	EA	20		
VS1MD220-8	220	2,257	EA	20		
VS1MD225	220	2,908	EA	30		
VS1MD225-8	220	2,838	EA	29		
VS1MD22-8	220	523	EA	2		
VS1MD23	220	670	EA	4		
VS1MD230	220	3,635	EA	30		
VS1MD230-8	220	3,585	EA	29		
VS1MD23-8	220	603	EA	4		
VS1MD25	220	860	EA	4		
VS1MD25-8	220	774	EA	4		
VS1MD27	220	1,255	EA	8		
VS1MD27-8	220	1,130	EA	8		
VS1MD40P5	220	534	EA	2		
VS1MD40P5-8	220	480	EA	2		
VS1MD41	220	559	EA	2		
VS1MD410	220	1,502	EA	8		
VS1MD410-8	220	1,352	EA	8		
VS1MD415	220	1,878	EA	20		
VS1MD415-8	220	1,808	EA	20		
VS1MD41-8	220	503	EA	2		
VS1MD42	220	676	EA	2		
VS1MD420	220	2,347	EA	20		
VS1MD420-8	220	2,277	EA	20		
VS1MD425	220	2,934	EA	30		
VS1MD425-8	220	2,854	EA	29		
VS1MD42-8	220	608	EA	2		
VS1MD43	220	782	EA	4		
VS1MD430	220	3,667	EA	30		
VS1MD430-8	220	3,597	EA	29		
VS1MD43-8	220	704	EA	4		
VS1MD45	220	972	EA	4		
VS1MD45-8	220	875	EA	4		
VS1MD47	220	1,257	EA	8		
VS1MD47-8	220	1,131	EA	8		
VS1MD-CCL	222	98	EA	1		
VS1MD-DINA	222	18	EA	1		
VS1MD-DINB	222	24	EA	1		
VS1MD-DINC	222	32	EA	1		
VS1MD-DNET	222	210	EA	1		
VS1MD-ENET	222		EA			
VS1MD-NM1A	221	39	EA	2		
VS1MD-NM1B	221	39	EA	2		
VS1MD-NM1C	221	46	EA	3		
VS1MD-NM1D	221	56	EA	3		
VS1MD-NM1E	221	62	EA	3		
VS1MD-NM1F	221	84	EA	3		

<sup>(1)</sup> Shipping weight is approximate.

<sup>(2)</sup> Baldor has suggested alternate products, however there may be slight differences in performance, efficiency, voltage range, dimensions and mounting. Customers should verify suitability of selected products for their specific application.

Catalog Number	Page Number	List Price	Mult Sym	Ship Wgt <sup>(1)</sup>	Type	Alternate Cat Number <sup>(2)</sup>
VS1MD-PBUS	222		EA			
VS1MD-RKEY2	222	95	EA	1		
VS1MD-RKEY3	222	104	EA	1		
VS1MD-RKEY5	222	123	EA	2		
VS1MX10P5-2	224	591	EA	5		
VS1MX10P5-2D	224	650	EA	5		
VS1MX10P5-4	224	643	EA	5		
VS1MX10P5-4D	224	707	EA	5		
VS1MX11-2	224	614	EA	5		
VS1MX11-2D	224	675	EA	5		
VS1MX11-4	224	667	EA	5		
VS1MX11-4D	224	734	EA	5		
VS1MX11P5-2T	224	768	EA	9		
VS1MX11P5-2TD	224	845	EA	10		
VS1MX11P5-4T	224	835	EA	10		
VS1MX11P5-4TD	224	919	EA	9		
VS1MX20P5-2	226	527	EA	5		
VS1MX20P5-2D	226	580	EA	5		
VS1MX20P5-4	225	574	EA	5		
VS1MX20P5-4D	225	632	EA	5		
VS1MX21-2	226	547	EA	5		
VS1MX21-2D	226	602	EA	5		
VS1MX21-4	225	632	EA	5		
VS1MX21-4D	225	653	EA	5		
VS1MX22-2	226	601	EA	5		
VS1MX22-2D	226	661	EA	5		
VS1MX22-2T	226	668	EA	10		
VS1MX22-2TD	226	734	EA	10		
VS1MX22-2TDF	226	728	EA	10		
VS1MX22-2TF	226	661	EA	10		
VS1MX22-4	225	654	EA	5		
VS1MX22-4D	225	719	EA	5		
VS1MX22-4T	225	727	EA	10		
VS1MX22-4TD	225	799	EA	10		
VS1MX22-4TDF	225	791	EA	10		
VS1MX22-4TF	225	719	EA	10		
VS1MX23-2T	226	693	EA	10		
VS1MX23-2TD	226	763	EA	10		
VS1MX23-2TDF	226	839	EA	10		
VS1MX23-2TF	226	763	EA	10		
VS1MX23-4T	225	754	EA	10		
VS1MX23-4TD	225	829	EA	10		
VS1MX23-4TDF	225	912	EA	10		
VS1MX23-4TF	225	829	EA	10		
VS1MX25-4T	225	1,075	EA	10		
VS1MX25-4TD	225	1,183	EA	20		
VS1MX25-4TDF	225	1,301	EA	20		
VS1MX25-4TF	225	1,183	EA	20		
VS1MX410-4T	226	1,861	EA	20		
VS1MX410-4TD	226	2,047	EA	20		

Catalog Number	Page Number	List Price	Mult Sym	Ship Wgt <sup>(1)</sup>	Type	Alternate Cat Number <sup>(2)</sup>
VS1MX410-4TDF	226	1,884	EA	20		
VS1MX410-4TF	226	2,047	EA	20		
VS1MX41-2	227	643	EA	5		
VS1MX41-2D	227	707	EA	5		
VS1MX41-2DF	227	778	EA	5		
VS1MX41-2F	227	707	EA	5		
VS1MX41-4	226	699	EA	5		
VS1MX41-4D	226	769	EA	5		
VS1MX41-4DF	226	846	EA	5		
VS1MX41-4F	226	769	EA	5		
VS1MX42-2	227	777	EA	5		
VS1MX42-2D	227	855	EA	5		
VS1MX42-2DF	227	941	EA	5		
VS1MX42-2F	227	855	EA	5		
VS1MX42-2T	227	863	EA	10		
VS1MX42-2TD	227	950	EA	10		
VS1MX42-2TDF	227	1,046	EA	10		
VS1MX42-2TF	227	950	EA	10		
VS1MX42-4	226	845	EA	5		
VS1MX42-4D	226	930	EA	5		
VS1MX42-4DF	226	1,023	EA	5		
VS1MX42-4F	226	930	EA	5		
VS1MX42-4T	226	939	EA	10		
VS1MX42-4TD	226	1,033	EA	10		
VS1MX42-4TDF	226	1,137	EA	10		
VS1MX42-4TF	226	1,033	EA	10		
VS1MX43-2T	227	899	EA	10		
VS1MX43-2TD	227	989	EA	10		
VS1MX43-2TDF	227	1,088	EA	10		
VS1MX43-2TF	227	989	EA	10		
VS1MX43-4T	226	978	EA	10		
VS1MX43-4TD	226	1,075	EA	10		
VS1MX43-4TDF	226	1,183	EA	10		
VS1MX43-4TF	226	1,075	EA	10		
VS1MX45-2T	227	1,118	EA	10		
VS1MX45-2TD	227	1,230	EA	10		
VS1MX45-2TDF	227	1,353	EA	10		
VS1MX45-2TF	227	1,230	EA	10		
VS1MX45-4T	226	1,215	EA	10		
VS1MX45-4TD	226	1,337	EA	10		
VS1MX45-4TDF	226	1,470	EA	10		
VS1MX45-4TF	226	1,337	EA	10		
VS1MX47-4T	226	1,569	EA	20		
VS1MX47-4TD	226	1,726	EA	20		
VS1MX47-4TDF	226	1,898	EA	20		
VS1MX47-4TF	226	1,726	EA	20		
VS1MX80P5-2	225	514	EA	5		
VS1MX80P5-2D	225	566	EA	5		
VS1MX80P5-2DF	225	622	EA	5		
VS1MX80P5-2F	225	566	EA	5		

<sup>(1)</sup> Shipping weight is approximate.

<sup>(2)</sup> Baldor has suggested alternate products, however there may be slight differences in performance, efficiency, voltage range, dimensions and mounting. Customers should verify suitability of selected products for their specific application.

Gearmotors and Gear Products

Motor Accessories

Grinders

Generators

Servo Motors and Controls

Mod Express

Baldor Education Workshops

Warranties and Sales Policies

Cross Reference and Index

Baldor District Offices

Gearmotors and Gear Products

Motor Accessories

Grinders

Generators

Servo Motors and Controls

Mod Express

Baldor Education Workshops

Warranties and Sales Policies

Cross Reference and Index

Baldor Sales Offices

Catalog Number	Page Number	List Price	Mult Sym	Ship Wgt <sup>(1)</sup>	Type	Alternate Cat Number <sup>(2)</sup>
VS1MX80P5-4	224	559	EA	5		
VS1MX80P5-4D	224	615	EA	5		
VS1MX80P5-4DF	224	676	EA	5		
VS1MX80P5-4F	224	615	EA	5		
VS1MX81-2	225	534	EA	5		
VS1MX81-2D	225	587	EA	5		
VS1MX81-2DF	225	646	EA	5		
VS1MX81-2F	225	587	EA	5		
VS1MX81-4	224	580	EA	5		
VS1MX81-4D	224	638	EA	5		
VS1MX81-4DF	224	702	EA	5		
VS1MX81-4F	224	638	EA	5		
VS1MX82-2	225	668	EA	5		
VS1MX82-2D	225	735	EA	5		
VS1MX82-2DF	225	809	EA	5		
VS1MX82-2F	225	735	EA	5		
VS1MX82-2T	225	742	EA	5		
VS1MX82-2TD	225	817	EA	10		
VS1MX82-2TDF	225	899	EA	10		
VS1MX82-2TF	225	817	EA	10		
VS1MX82-4	224	726	EA	5		
VS1MX82-4D	224	799	EA	5		
VS1MX82-4DF	224	879	EA	5		
VS1MX82-4F	224	799	EA	5		
VS1MX82-4T	224	807	EA	5		
VS1MX82-4TD	224	888	EA	10		
VS1MX82-4TDF	224	977	EA	10		
VS1MX82-4TF	224	888	EA	10		
VS1MX83-2T	225	771	EA	10		
VS1MX83-2TD	225	848	EA	10		
VS1MX83-2TDF	225	932	EA	10		
VS1MX83-2TF	225	848	EA	10		
VS1MX83-4T	224	838	EA	10		
VS1MX83-4TD	224	921	EA	10		
VS1MX83-4TDF	224	1,013	EA	10		
VS1MX83-4TF	224	921	EA	10		
VS1MX-ILOCK	227	32	EA	1		
VS1MX-R50W200	227	320	EA	5		
VS1PF210-1	229	1,489	EB	16		
VS1PF215-1	229	1,649	EB	16		
VS1PF220-9	229	1,915	EB	32		
VS1PF225-9	229	2,447	EB	33		
VS1PF230-9	229	3,191	EB	48		
VS1PF240-9	229	3,723	EB	48		
VS1PF27-1	229	1,277	EB	12		
VS1PF4100-9	229	7,766	EB	99		
VS1PF4100-9L	229	8,617	EB	165		
VS1PF410-1	229	1,489	EB	16		
VS1PF4125-9	229	9,574	EB	102		
VS1PF4125-9L	229	10,479	EB	165		

Catalog Number	Page Number	List Price	Mult Sym	Ship Wgt <sup>(1)</sup>	Type	Alternate Cat Number <sup>(2)</sup>
VS1PF4150-9L	229	11,064	EB	165		
VS1PF415-1	229	1,596	EB	16		
VS1PF4200-9L	229	12,766	EB	233		
VS1PF420-9	229	1,979	EB	32		
VS1PF420-9L	229	2,340	EB	46		
VS1PF4250-9L	229	14,894	EB	265		
VS1PF425-9	229	2,340	EB	33		
VS1PF425-9L	229	2,766	EB	46		
VS1PF4300-9L	229	18,085	EB	465		
VS1PF430-9	229	3,085	EB	48		
VS1PF430-9L	229	3,457	EB	65		
VS1PF4350-9L	229	21,277	EB	465		
VS1PF4400-9L	229	29,787	EB	560		
VS1PF440-9	229	3,723	EB	48		
VS1PF440-9L	229	4,096	EB	65		
VS1PF4500-9	229	34,043	EB	870		
VS1PF450-9	229	4,468	EB	64		
VS1PF450-9L	229	5,000	EB	95		
VS1PF4600-9	229	42,553	EB	870		
VS1PF460-9	229	5,745	EB	64		
VS1PF460-9L	229	6,383	EB	98		
VS1PF4700-9	229	51,064	EB	870		
VS1PF47-1	229	1,223	EB	12		
VS1PF475-9	229	6,915	EB	70		
VS1PF475-9L	229	7,553	EB	103		
VS1PFB210-1	230	4,086	EB	40		
VS1PFB215-1	230	5,207	EB	40		
VS1PFB220-1	230	5,933	EB	90		
VS1PFB225-1	230	6,928	EB	90		
VS1PFB230-1	230	8,008	EB	135		
VS1PFB240-1	230	10,259	EB	135		
VS1PFB27-1	230	3,899	EB	38		
VS1PFB4100-1	230	19,212	EB	200		
VS1PFB410-1	230	3,975	EB	38		
VS1PFB4125-1	230	20,417	EB	200		
VS1PFB415-1	230	4,753	EB	38		
VS1PFB420-1	230	5,709	EB	90		
VS1PFB425-1	230	6,522	EB	90		
VS1PFB430-1	230	7,529	EB	135		
VS1PFB440-1	230	9,542	EB	135		
VS1PFB450-1	230	11,024	EB	160		
VS1PFB460-1	230	12,060	EB	160		
VS1PFB47-1	230	3,928	EB	38		
VS1PFB475-1	230	14,613	EB	200		
VS1PF-BAC	231	709	EB	3		
VS1PF-CBL2	231	52	EB	2		
VS1PF-CBL3	231	66	EB	2		
VS1PF-CBL5	231	80	EB	2		
VS1PF-DNET	231	312	EB	3		
VS1PF-KPEXT	231	995	EB	4		

<sup>(1)</sup> Shipping weight is approximate.

<sup>(2)</sup> Baldor has suggested alternate products, however there may be slight differences in performance, efficiency, voltage range, dimensions and mounting. Customers should verify suitability of selected products for their specific application.

Catalog Number	Page Number	List Price	Mult Sym	Ship Wgt <sup>(1)</sup>	Type	Alternate Cat Number <sup>(2)</sup>
VS1PF-LON	231	709	EB	3		
VS1PF-MAOUT	232	200	EB	1		
VS1PF-MBTCP	231	567	EB	3		
VS1PF-MBUS	231	265	EB	3		
VS1PF-NM1C	231	58	EB	3		
VS1PF-NM1D	231	66	EB	3		
VS1PF-NM1E	231	77	EB	5		
VS1PF-NM1F	231	85	EB	5		
VS1PF-NM1GH	231	116	EB	7		
VS1PF-NM1JK	231	116	EB	7		
VS1PF-NM1L	231	155	EB	10		
VS1PF-NM1M	231	155	EB	10		
VS1PF-PBUS	231	478	EB	3		
VS1PF-RKEYN4	231	200	E8			
VS1PF-T220	232	596	EB	8		
VS1PF-T230	232	667	EB	8		
VS1PF-T250	232	1,314	EB	10		
VS1PF-T275	232	1,504	EB	10		
VS1PF-T4100	232	1,551	EB	10		
VS1PF-T420	232	596	EB	8		
VS1PF-T430	232	667	EB	8		
VS1PF-T450	232	1,314	EB	8		
VS1PF-T475	232	1,504	EB	10		
VS1PM210-1B	192	3,138	EC			
VS1PM4100-1B	192	14,255	EC			
VS1PM410-1B	192	3,055	EC			
VS1PM4125-1B	192	15,106	EC			
VS1PM4150-1T	192	18,150	EC			
VS1PM415-1B	192	3,830	EC			
VS1PM420-1B	192	4,469	EC			
VS1PM425-1B	192	5,638	EC			
VS1PM430-1B	192	6,596	EC			
VS1PM440-1B	192	8,298	EC			
VS1PM450-1B	192	9,787	EC			
VS1PM460-1B	192	10,532	EC			
VS1PM475-1B	192	12,340	EC			
VS1-R100W200	221	43	EA	5		
VS1-R100W400	221	128	EA	5		
VS1-R10W2400	221, 232	476	EB	12		
VS1-R130W600	221	271	EA	7		
VS1-R15W1200	221, 232	360	EB	10		
VS1-R160W200	221	58	EA	5		
VS1-R200W200	221	58	EA	5		
VS1-R200W400	221	128	EA	5		
VS1-R20W3600	232, 232	859	EB	15		
VS1-R20W800	221, 232	298	EB	10		
VS1-R30W2400	232, 232	476	EB	12		
VS1-R33W600	221	271	EA	7		
VS1-R40W2000	221, 232	453	EA	18		
VS1-R50W400	221	128	EA	5		

Catalog Number	Page Number	List Price	Mult Sym	Ship Wgt <sup>(1)</sup>	Type	Alternate Cat Number <sup>(2)</sup>
VS1-R5W3600	232	859	EB	15		
VS1-R60W1200	221, 232	360	EB	10		
VS1-R85W1000	221, 232	337	EB	10		
VS1-R8W2400	232, 232	476	EB	10		
VS1SM80P5	218	319	EA	2		
VS1SM80P5-F	218	372	EA	2		
VS1SM81	218	394	EA	2		
VS1SM81-F	218	447	EA	1		
VS1SM82	218	500	EA	4		
VS1SM82-F	218	553	EA	4		
VS1SM83	218	638	EA	4		
VS1SM83-F	218	702	EA	4		
VS1SP210-1B	234	2,681	EC	30		
VS1SP21-1B	234	1,000	EC	20		
VS1SP21-4B	236	1,074	EC	20		
VS1SP215-1B	234	3,191	EC	30		
VS1SP220-1B	234	4,255	EC	30		
VS1SP22-1B	234	1,138	EC	20		
VS1SP22-4B	236	1,223	EC	20		
VS1SP225-1B	234	5,106	EC	60		
VS1SP230-1B	234	6,596	EC	60		
VS1SP23-1B	234	1,330	EC	20		
VS1SP23-4B	236	1,429	EC	20		
VS1SP240-1B	234	7,872	EC	60		
VS1SP250-1B	234	10,000	EC	110		
VS1SP25-1B	234	1,521	EC	20		
VS1SP25-4B	236	1,649	EC	20		
VS1SP260-1B	234	12,703	EC	110		
VS1SP27-1B	234	1,904	EC	20		
VS1SP27-4B	236	2,043	EC	20		
VS1SP4100-1B	234	13,404	EC	110		
VS1SP410-1B	234	2,660	EC	20		
VS1SP410-4B	236	2,926	EC	20		
VS1SP41-1B	234	1,202	EC	20		
VS1SP4125-1B	234	14,362	EC	110		
VS1SP41-4B	236	1,330	EC	20		
VS1SP4150-1B	234	17,250	EC	17250		
VS1SP415-1B	234	3,404	EC	30		
VS1SP4200-1B	234	23,000	EC	23000		
VS1SP420-1B	234	4,043	EC	30		
VS1SP42-1B	234	1,457	EC	20		
VS1SP42-4B	236	1,511	EC	20		
VS1SP4250-1B	234	28,750	EC	28750		
VS1SP425-1B	234	5,000	EC	41		
VS1SP430-1B	234	6,064	EC	55		
VS1SP43-1B	234	1,766	EC	20		
VS1SP43-4B	236	1,840	EC	20		
VS1SP440-1B	234	7,447	EC	51		
VS1SP450-1B	234	8,936	EC	55		
VS1SP45-1B	234	1,915	EC	20		

<sup>(1)</sup> Shipping weight is approximate.

<sup>(2)</sup> Baldor has suggested alternate products, however there may be slight differences in performance, efficiency, voltage range, dimensions and mounting. Customers should verify suitability of selected products for their specific application.

Gearmotors and Gear Products

Motor Accessories

Grinders

Generators

Servo Motors and Controls

Mod Express

Baldor Education Workshops

Warranties and Sales Policies

Cross Reference and Index

Baldor District Offices



Gearmotors and Gear Products  
 Motor Accessories  
 Grinders  
 Generators  
 Servo Motors and Controls  
 Mod Express  
 Baldor Education Workshops  
 Warranties and Sales Policies  
 Cross Reference and Index  
 Baldor Sales Offices

Catalog Number	Page Number	List Price	Mult Sym	Ship Wgt <sup>(1)</sup>	Type	Alternate Cat Number <sup>(2)</sup>
VS1SP45-4B	236	2,106	EC	20		
VS1SP460-1B	234	9,998	EC	110		
VS1SP47-1B	234	2,426	EC	20		
VS1SP47-4B	236	2,766	EC	20		
VS1SP475-1B	234	11,596	EC	110		
VS1SP5100-1B	235	14,745	EC	130		
VS1SP510-1B	235	2,926	EC	55		
VS1SP510-4B	236	3,218	EC	55		
VS1SP51-1B	235	1,322	EC	20		
VS1SP5125-1B	235	15,798	EC	140		
VS1SP51-4B	236	1,463	EC	20		
VS1SP5150-1	235	18,900	EC	250		
VS1SP515-1B	235	3,745	EC	30		
VS1SP5200-1	235	25,200	EC	250		
VS1SP520-1B	235	4,447	EC	30		
VS1SP52-1B	235	1,603	EC	20		
VS1SP52-4B	236	1,662	EC	20		
VS1SP5250-1	235	31,500	EC	250		
VS1SP525-1B	235	5,500	EC	30		
VS1SP530-1B	235	6,670	EC	51		
VS1SP53-1B	235	1,943	EC	20		
VS1SP53-4B	236	2,024	EC	20		
VS1SP540-1B	235	8,191	EC	60		
VS1SP550-1B	235	9,830	EC	60		
VS1SP55-1B	235	2,106	EC	20		
VS1SP55-4B	236	2,317	EC	20		
VS1SP560-1B	235	11,000	EC	120		
VS1SP57-1B	235	2,668	EC	20		
VS1SP57-4B	236	3,043	EC	20		
VS1SP575-1B	235	12,755	EC	125		
VS1SP61-1B	234	1,100	EC	20		
VS1SP61-4B	236	1,182	EC	20		
VS1SP62-1B	234	1,252	EC	20		
VS1SP62-4B	236	1,346	EC	20		
VS1SP63-1B	234	1,463	EC	20		
VS1SP63-4B	236	1,568	EC	20		
VS1ST10P5-0	215	415	EA	2		
VS1ST11-0	215	485	EA	2		
VS1ST11P5-0T	215	596	EA	6		
VS1ST20P5-0	215	334	EA	2		
VS1ST21-0	215	362	EA	2		
VS1ST22-0	215	436	EA	2		
VS1ST22-0T	215	510	EA	6		
VS1ST22-0TF	215	543	EA	6		
VS1ST23-0T	215	521	EA	6		
VS1ST23-0TF	215	606	EA	6		
VS1ST25-0T	215	691	EA	7		
VS1ST25-0TF	215	862	EA	7		
VS1ST-2ROUT	216	140	EA	1		
VS1ST41-0	215	436	EA	2		

Catalog Number	Page Number	List Price	Mult Sym	Ship Wgt <sup>(1)</sup>	Type	Alternate Cat Number <sup>(2)</sup>
VS1ST410-0T	215	1,160	EA	11		
VS1ST410-0TF	215	1,245	EA	7		
VS1ST41-0F	215	489	EA	2		
VS1ST415-0T	215	1,565	EA	7		
VS1ST415-0TF	215	1,680	EA	7		
VS1ST42-0	215	511	EA	2		
VS1ST42-0F	215	564	EA	2		
VS1ST42-0T	215	585	EA	6		
VS1ST42-0TF	215	628	EA	6		
VS1ST43-0T	215	628	EA	6		
VS1ST43-0TF	215	681	EA	6		
VS1ST45-0T	215	734	EA	6		
VS1ST45-0TF	215	787	EA	6		
VS1ST47-0T	215	1,043	EA	7		
VS1ST47-0TF	215	1,096	EA	7		
VS1ST80P5-0	215	334	EA	2		
VS1ST80P5-0F	215	351	EA	2		
VS1ST81-0	215	362	EA	2		
VS1ST81-0F	215	447	EA	2		
VS1ST82-0	215	436	EA	2		
VS1ST82-0F	215	574	EA	2		
VS1ST82-0T	215	543	EA	6		
VS1ST82-0TF	215	649	EA	6		
VS1ST83-0T	215	606	EA	6		
VS1ST83-0TF	215	762	EA	6		
VS1ST-CBLOP5	216	10	EA	1		
VS1ST-CBL1	216	10	EA	1		
VS1ST-CBL3	216	10	EA	1		
VS1ST-CCL	216	25	EA	1		
VS1ST-DNET	216	875	EA	2		
VS1ST-HVAC	216	140	EA	1		
VS1ST-J45SP	216	20	EA	1		
VS1ST-LOGHV-11	216	120	EA	1		
VS1ST-LOGHV-23	216	120	EA	1		
VS1ST-PBUS	216	875	EA	2		
VS1ST-R100W200	216	181	EA	2		
VS1ST-RKEY3	216	100	EA	1		
VSSEWDM3537	28, 82	1,132	WD	46	3516M	CSSEWDM3537
VSSEWDM3538	28, 82	1,151	WD	47	3520M	CSSEWDM3538
VSSEWDM3541	28, 82	1,173	WD	50	3520M	CSSEWDM3541
VSSEWDM3542	28, 82	1,191	WD	54	3526M	CSSEWDM3542
VSSEWDM3545	28, 82	1,233	WD	53		CSSEWDM3545
VSSEWDM3546	28, 82	1,246	WD	54	3525M	CSSEWDM3546
VSSEWDM3546T	28, 82	1,258	WD	54	3525M	CSSEWDM3546T
VSSEWDM3550	28, 82	1,250	WD	62		CSSEWDM3550
VSSEWDM3550T	28, 82	1,261	WD	63		CSSEWDM3550T
VSSEWDM3554	28, 82	1,257	WD	61	3533M	CSSEWDM3554
VSSEWDM3554T	28, 82	1,268	WD	61	3533M	CSSEWDM3554T
VSSEWDM3555T	28, 82	1,519	WD	65		CSSEWDM3555T
VSSEWDM3558	28, 82	1,531	WD	61	3538M	

<sup>(1)</sup> Shipping weight is approximate.

<sup>(2)</sup> Baldor has suggested alternate products, however there may be slight differences in performance, efficiency, voltage range, dimensions and mounting. Customers should verify suitability of selected products for their specific application.

Catalog Number	Page Number	List Price	Mult Sym	Ship Wgt <sup>(1)</sup>	Type	Alternate Cat Number <sup>(2)</sup>
VSSEWDM3558T	28, 82	1,541	WD	61	3538M	CSSEWDM3558T
VSSEWDM80044D-57	183, 84	1,324	WD	46		
VSSEWDM80064D-57	183, 84	1,370	WD	51		
VSSEWDM80084D-57	183, 84	1,447	WD	54		
VSSEWDM90114D-57	183, 84	1,459	WD	61		
VSSEWDM90154D-57	183, 84	1,773	WD	61		
VSSFWDWM3538	84	1,164	WD	35		
VSSFWDWM3542	84	1,202	WD	39	3524M	
VSSFWDWM3546	84	1,234	WD	39		
VSSWDM3537	84	1,023	WD	34		CSSWDM3537
VSSWDM3538	84	1,101	WD	37		CSSWDM3538
VSSWDM3541	84	1,062	WD	40	3518M	CSSWDM3541
VSSWDM3542	84	1,141	WD	44	3524M	CSSWDM3542
VSSWDM3545	84	1,164	WD	38		CSSWDM3545
VSSWDM3546	84	1,173	WD	47		CSSWDM3546
VSSWDM3550	84	1,179	WD	49		CSSWDM3550
VSSWDM3554T	84	1,198	WD	51	3528M	CSSWDM3554T
VSSWDM3555T	84	1,447	WD	57		CSSWDM3555T
VSSWDM3558T	84	1,463	WD	52		CSSWDM3558T
VSSWDM3559T	84	1,745	WD	57		CSSWDM3559T
VSSWDM3611T	84	1,659	WD	86		CSSWDM3611T
VSSWDM3613T	84	1,897	WD	92		CSSWDM3613T
VSSWDM3615T	84	1,911	WD	108		CSSWDM3615T
VSWDM3538	81	595	WD	29		CSWDM3538
VSWDM3542	81	688	WD	33	3514M	VSWDM3546
VSWDM3546	81	714	WD	38		VSWDM3554
VSWDM3546T	81	714	WD	37		CSWDM3546T
VSWDM3554	81	748	WD	47	3526M	CSWDM3554
VSWDM3554T	81	748	WD	45	3526M	CSWDM3554T
VSWDM3558T	81	851	WD	41		CSWDM3558T
VUHL3518	151	390	K	29		
VUHL3519	151	480	K	34		
VUHM3538	151	348	K	35		
VUHM3538-5	151	348	K	35	3516M	
VUHM3542	151	369	K	34		
VUHM3542-5	151	369	K	4	3516M	
VUHM3546	151	395	K	32	3516M	
VUHM3546-5	151	395	K	8		
VUHM3546T	151	395	L1	35	3516M	
VUHM3546T-5	151	395	L1	33		
VUHM3554	151	430	K	37	3520M	
VUHM3554T	151	430	L1	35	3520M	
VUHM3554T-5	151	430	L1	39		
VUHM3558	151	463	K	39	3524M	
VUHM3558T	151	463	L1	39	3524M	
VUHM3558T-5	151	463	L1	46		
VUHM3611T	151	560	L1	59		
VUHM3615T	151	640	L1	87	3643M	
VWAM3538	76	595	SD	34		
VWAM3542	76	688	SD	40	3514M	

Catalog Number	Page Number	List Price	Mult Sym	Ship Wgt <sup>(1)</sup>	Type	Alternate Cat Number <sup>(2)</sup>
VWAM3546	76	714	SD	45		
VWAM3546T	76	714	SD	43		
VWAM3554	76	748	SD	52	3526M	
VWAM3554T	76	748	SD	21	3526M	
VWAM3558	76	921	SD	48		
VWAM3558T	76	921	SD	48		
VWAM3611T	76	1,115	SD	62		
VWAM3615T	76	1,300	SD	90		
VWAM3710T	76	1,589	SD	134	3727M	
VWAM3714T	76	1,812	SD	144	3740M	
VWDL3504	77	499	WD	32		CWDL3504
VWDL3507	77	587	WD	35		CWDL3507
VWDL3510	77	672	WD	39		CWDL3510
VWDL3514	77	807	WD	46		CWDL3514
VWDM3538	78	546	WD	30		CWDM3538
VWDM3538-5	171, 79	546	WD	31		
VWDM3542	78	593	WD	34		CWDM3542
VWDM3542-5	171, 79	593	WD	34		
VWDM3546	78	635	WD	39		VWDM3554
VWDM3546-5	171, 79	635	WD	34		
VWDM3546T	78	653	WD	38		CWDM3546T
VWDM3554	79	669	WD	48	3535M	VWDM3558
VWDM3554T	79	685	WD	48	3535M	CWDM3554T
VWDM3554T-5	171, 79	685	WD	55		
VWDM3558	79	710	WD	41		CWDM3558
VWDM3558T	79	721	WD	42		CWDM3558T
VWDM3558T-5	171, 79	721	WD	46		
VWDM3559	79	912	WD	53	3532M	
VWDM3561T	79	1,177	WD	63		
VWDM3611T	79	949	WD	54		CWDM3611T
VWDM3615T	79	1,185	WD	75		CWDM3615T
VWDM3710T	79	1,354	WD	113	3727M	CWDM3710T
VWDM3714T	79	1,544	WD	124	3740M	CWDM3714T
W64	405	41	A8	1		
W70	405	48	A8	1		
W82	405	54	A8	1		
WCL1406T	102	836	L1	78		
WCL1408T	102	960	L1	88		
WCL1409T	102	1,184	L1	92		
WCL1508T	102	1,364	L1	122	3727L	
WCL1509T	102	1,695	L1	117		
WCL1511T	102	2,090	L1	139		
WCM3212T	105	637	L1	71		
WCM3219T	105	775	L1	81		
WCM3312T	105	1,057	L1	97		WCM3709T
WCM3314T	106	1,426	L1	115		
WCM3709T	103	1,071	L1	108		
WCM3710T	103	961	L1	123	3727M	
WCM3711T	103	1,281	L1	129	3730M	WCM3713T
WCM3713T	104	1,528	L1	160		

<sup>(1)</sup> Shipping weight is approximate.

<sup>(2)</sup> Baldor has suggested alternate products, however there may be slight differences in performance, efficiency, voltage range, dimensions and mounting. Customers should verify suitability of selected products for their specific application.

Gearmotors and Gear Products

Motor Accessories

Grinders

Generators

Servo Motors and Controls

Mod Express

Baldor Education Workshops

Warranties and Sales Policies

Cross Reference and Index

Baldor Sales Offices

Catalog Number	Page Number	List Price	Mult Sym	Ship Wgt <sup>(1)</sup>	Type	Alternate Cat Number <sup>(2)</sup>
WCM3714T	103	1,187	L1	137	3740M	
WDB13H71	383	72	A8	3		
WDB15H71	383	72	A8	4		
WDB18H71	383	89	A8	6		
WDB21H71	383	94	A8	6		
WDB24H71	383	102	A8	8		
WDB26H71	383	115	A8	9		
WDB30H71	383	128	A8	6		
WDB32H71	383	150	A8	13		
WDGF0518AG	368	613	GB	30		SSGF0518AG
WDGF1013AG	368	570	GB	20		
WDGF1015AG	368	602	GB	25		SSGF1018AG
WDGF1015BG	368	602	GB	25		
WDGF1018AG	368	613	GB	30		SSGF1018AG
WDGF1021AG	368	755	GB	35		
WDGF1024BG	368	884	GB	40		SSGF1026BG
WDGF1513AG	368	570	GB	20		
WDGF1515AG	368	602	GB	25		SSGF1518AG
WDGF1518AG	368	613	GB	30		SSGF1518AG
WDGF1521AG	368	755	GB	35		SSGF1521AG
WDGF1524AG	368	884	GB	40		
WDGF2013AG	368	570	GB	20		
WDGF2015AG	368	602	GB	25		SSGF2018AG
WDGF2018AG	368	613	GB	30		SSGF2018AG
WDGF2026BG	368	1,010	GB	55		SSGF2526BG
WDGF3018AG	368	613	GB	30		SSGF3018AG
WDGF3021AG	368	755	GB	35		SSGF3021AG
WDGF3024AG	368	884	GB	40		
WDGF3026AG	368	1,010	GB	55		
WDGF3032BG	368	1,483	GB	87		
WDGF4015AG	368	602	GB	25		SSGF4018AG
WDGF4018AG	368	613	GB	30		SSGF4018AG
WDGF4021AG	368	755	GB	35		SSGF4021AG
WDGF4024AG	368	884	GB	40		
WDGF4026AG	368	1,010	GB	55		
WDGF4032BG	368	1,483	GB	87		
WDGF5013AG	368	570	GB	20		
WDGF5015AG	368	602	GB	25		SSGF5018AG
WDGF5021AG	368	755	GB	35		SSGF5021AG
WDGF5024AG	368	884	GB	40		
WDGF5026AG	368	1,010	GB	55		SSGF5026AG
WDGF5032BG	368	1,483	GB	92		
WDGF6015AG	368	602	GB	25		
WDGF6018AG	368	613	GB	30		SSGF6018AG
WDGF6021AG	368	755	GB	35		SSGF6021AG
WDGF6024AG	368	884	GB	40		SSGF6026AG
WDGF6026AG	368	1,010	GB	55		SSGF6026AG
WDGF6032AG	368	1,483	GB	87		
WDM3538	77	522	WD	27		WDM3542
WDM3542	77	558	WD	32	3514M	CWDM3542

Catalog Number	Page Number	List Price	Mult Sym	Ship Wgt <sup>(1)</sup>	Type	Alternate Cat Number <sup>(2)</sup>
WDM3546T	77	585	WD	39		EWDM3546T
WDM3554T	77	640	WD	45		EWDM3554T
WDM3558T	77	710	WD	44		EWDM3558T
WDM3558TP	80	805	WD	42	3524M	
WDM3561TP	80	1,016	WD	63		
WDM3611T	77	939	WD	68		EWDM3611T
WDM3615T	77	1,072	WD	78	3633M	EWDM3615T
WDM3710T	77	1,339	WD	127	3731M	EWDM3710T
WDM3714T	77	1,425	WD	139	3740M	EWDM3714T
WWL3509	145	417	K	33		
WWL3515T	145	681	L1	53		
WWL3606	145	870	L1	71		
YPC144A	119	203	C1	19		
YPC1624A	119	243	C1	22		
YPC164A	119	224	C1	21	1710C	
YPC244A	119	214	C1	21		
YPC245A	119	218	C1	21		
YPC2624A	119	272	C1	25	1724C	
YPC2625A	119	274	C1	25	1724C	
YPC264A	119	242	C1	22		
YPC265A	119	244	C1	22		
YPC344A	119	249	C1	24		
YPC345A	119	254	C1	24		
YPC3624A	119	346	C1	28		
YPC3625A	119	350	C1	28	1732C	
YPC364A	119	283	C1	25		
ZD18H4150-E0	249	30,134	E1	401		
ZD18H4200-E0	249	36,253	E1	410		
ZD18H4250-E0	249	44,503	E1	426		
ZD18H4300-E0	249	56,354	E1	910		
ZD18H4350-E0	249	65,533	E1	937		
ZD18H4400-E0	249	72,504	E1	872		
ZD18H4450-E0	249	85,517	E1	880		
ZD22H210-EL	251	10,019	E1	169		ZD22H215-EL
ZD22H215-EL	251	11,133	E1	175		ZD22H220-EL
ZD22H220-EL	251	13,034	E1	191		ZD22H225-EL
ZD22H225-EL	251	15,226	E1	175		ZD22H230-EL
ZD22H230-EL	251	16,557	E1	228		ZD22H240-EL
ZD22H240-EL	251	20,617	E1	175		ZD22H250-EL
ZD22H250-EL	251	25,308	E1	263		
ZD22H410-EL	251	10,431	E1	145		ZD22H415-EL
ZD22H415-EL	251	11,345	E1	175		ZD22H420-EL
ZD22H420-EL	251	13,212	E1	185		ZD22H425-EL
ZD22H425-EL	251	14,888	E1	160		ZD22H430-EL
ZD22H430-EL	251	16,806	E1	203		ZD22H440-EL
ZD22H440-EL	251	20,730	E1	254		ZD22H450-EL
ZD22H450-EL	251	25,015	E1	265		
ZDBRPM18154C	195	5,465	E2	210		
ZDBRPM18204C	195	5,856	E2	250		
ZDBRPM21304C	195	6,828	E2	375		

(1) Shipping weight is approximate.

(2) Baldor has suggested alternate products, however there may be slight differences in performance, efficiency, voltage range, dimensions and mounting. Customers should verify suitability of selected products for their specific application.

Catalog Number	Page Number	List Price	Mult Sym	Ship Wgt (1)	Type	Alternate Cat Number (2)
ZDBRPM21404	195	7,056	E2	390		
ZDBRPM25504	195	8,578	E2	560		
ZDBRPM25604	195	10,545	E2	615		
ZDBRPM25754	195	12,270	E2	655		
ZDBRPM281004	195	14,253	E2	905		
ZDBRPM281004R1	195	15,844	E2	805		
ZDBRPM281254	195	16,687	E2	890		
ZDBRPM321254	195	19,763	E2	1170		
ZDBRPM321504	195	25,776	E2	1310		
ZDBRPM362004	195	28,310	E2	1830		
ZDBRPM402004	195	30,389	E2	2030		
ZDFRPM18104C	195	5,344	E2	200		
ZDFRPM21204C	195	6,165	E2	318		
ZDFRPM21254C	195	6,611	E2	382		
ZDFRPM25304C	195	6,874	E2	505		
ZDFRPM25404	195	7,334	E2	605		
ZDM2276T	207	5,878	E2	282		
ZDM2332T	207	6,890	E2	324		
ZDM2333T	207	4,448	E2	301		
ZDM2333T-5	207	4,448	E2	310		
ZDM2334T	207	4,663	E2	286		
ZDM2334T-5	207	4,663	E2	286	0948M	
ZDM3581T	207	2,772	E2	62	0524M	
ZDM3581T-5	207	2,772	E2	64		
ZDM3582T	207	3,027	E2	66		
ZDM3584T	207	2,857	E2	63	0530M	ZDM3587T
ZDM3584T-5	207	2,857	E2	68		
ZDM3587T	207	2,962	E2	69		
ZDM3587T-5	207	2,962	E2	69		
ZDM3661T	207	3,423	E2	106		
ZDM3661T-5	207	3,423	E2	105		
ZDM3664T	207	3,295	E2	118		
ZDM3665T	207	3,545	E2	121		
ZDM3665T-5	207	3,545	E2	123		
ZDM3667T	207	3,242	E2	110		
ZDM3764T	207	3,905	E2	174	0730M	
ZDM3768T	207	4,487	E2	200	0740M	
ZDM3770T	207	4,004	E2	177		
ZDM3770T-5	207	4,004	E2	169		
ZDM3774T	207	4,196	E2	196		
ZDM3774T-5	207	4,196	E2	196		
ZDM4100T	207	7,925	E2	426	1056M	
ZDM4102T	207	8,760	E2	476	1062M	
ZDM4103T	207	5,442	E2	424		
ZDM4104T	207	6,052	E2	452		
ZDM4110T	207	7,720	E2	606		
ZDM4111T	207	9,801	E2	566		
ZDM4115T	207	8,506	E2	679		
ZDM4117T	207	10,759	E2	594		
ZDM4308T	207	12,177	E2	808		

Catalog Number	Page Number	List Price	Mult Sym	Ship Wgt (1)	Type	Alternate Cat Number (2)
ZDM4404T	207	18,411	E2	1167		
ZDM4406T-4	207	23,555	E2	1798	1888M	
ZDME2511T-CI	209	4,684	E2	280		
ZDME2524T-CI	209	5,503	E2	391	1044M	
ZDME2528T-CI	209	6,214	E2	420	1050M	
ZDME2532T-CI	209	7,461	E2	522		
ZDME2536T-CI	209	7,598	E2	557		
ZDME2540T-CI	209	8,390	E2	725		
ZDME2544T-CI	209	9,249	E2	815		
ZDME2548T-CI	209	11,686	E2	1077		
ZDME2552T-CI	209	12,728	E2	1162		
ZDNM2237T	207	3,897	E2	250	0932M	
ZDNM2238T	207	4,017	E2	289		
ZDNM2333T	207	4,098	E2	286		
ZDNM2334T	207	5,162	E2	420		
ZDNM3581T	207	2,418	E2	56	0524M	
ZDNM3584T	207	2,531	E2	65	0524M	
ZDNM3661T	207	2,984	E2	108		
ZDNM3669T	207	2,792	E2	94	0628M	
ZDNM3767T	207	3,389	E2	167		
ZDNRPM18054C	195	4,745	E2	165		
ZDNRPM18074C	195	5,208	E2	220		
ZDNRPM21104C	195	5,861	E2	305		
ZDPM18010C-BV	190	6,413	E2	135		
ZDPM18015C-BV	190	6,558	E2	143		
ZDPM18020C-BV	190	7,027	E2	180		
ZDPM18025C-BV	190	7,933	E2	209		
ZDPM18030C-BV	190	8,194	E2	209		
ZDPM21040-BV	190	8,467	E2	290		
ZDPM21050-BV	190	10,293	E2	330		
ZDPM21060-BV	190	12,653	E2	355		
ZDPM25075-BV	190	14,724	E2	540		
ZDPM25100-BV	190	19,012	E2	605		
ZDPM28125-BV	190	23,214	E2	730		
ZDPM28150-BV	190	30,433	E2	805		
ZDVSCP2333T	202	4,512	E2	356		
ZDVSCP2334T	202	4,773	E2	364		
ZDVSCP3661T	202	3,005	E2	131		
ZDVSCP3665T	202	3,230	E2	154		
ZDVSCP3770T	202	3,682	E2	198		
ZDVSCP3774T	202	3,993	E2	216		
ZDVSCP4103T	202	5,597	E2	445		
ZDVSCP4104T	202	6,004	E2	479		
ZDVSCP4110T	202	7,449	E2	737		
ZDVSCP4115T	202	8,678	E2	580		
ZDVSM2333T	201	4,239	E2	328		
ZDVSM2334T	201	4,499	E2	346		
ZDVSM3661T	201	2,869	E2	125		
ZDVSM3665T	201	3,091	E2	146		
ZDVSM3770T	201	3,480	E2	184		

(1) Shipping weight is approximate.

(2) Baldor has suggested alternate products, however there may be slight differences in performance, efficiency, voltage range, dimensions and mounting. Customers should verify suitability of selected products for their specific application.

Gearmotors and Gear Products

Motor Accessories

Grinders

Generators

Servo Motors and Controls

Mod Express

Baldor Education Workshops

Warranties and Sales Policies

Cross Reference and Index

Baldor District Offices

Gearmotors and Gear Products

Motor Accessories

Grinders

Generators

Servo Motors and Controls

Mod Express

Baldor Education Workshops

Warranties and Sales Policies

Cross Reference and Index

Baldor Sales Offices

Catalog Number	Page Number	List Price	Mult Sym	Ship Wgt <sup>(1)</sup>	Type	Alternate Cat Number <sup>(2)</sup>
ZDVSM3774T	201	3,790	E2	204		
ZDVSM4103T	201	5,280	E2	445		
ZDVSM4104T	201	5,687	E2	450		
ZDVSM4110T	201	7,075	E2	696		
ZDVSM4115T	201	8,304	E2	693		
ZDVSM4314T	201	9,919	E2	860		
ZDVSM4316T	201	12,036	E2	887		
ZDVSM4400T-4	201	15,105	E2	1247		
ZDVSM4406T-4	201	21,632	E2	1892		
ZDVSM4407T-4	201	25,348	E2	2275		
ZDVSM4408T-4	201	30,969	E2	2650		
ZDVSM4410T-4	201	18,377	E2	1744		
ZDVSM44304T-4	201	35,189	E2	2820		
ZDVSNCP3581T	202	2,540	E2	62		
ZDVSNCP3584T	202	2,652	E2	64		
ZDVSNCP3587T	202	2,913	E2	67		
ZDVSNM2237T	201	3,537	E2	211		
ZDVSNM2238T	201	4,015	E2	359		
ZDVSNM2333T	201	4,618	E2	378		
ZDVSNM3538	201	1,798	E2	14	3516M	
ZDVSNM3542	201	1,853	E2	35	3520M	
ZDVSNM3581T	201	2,418	E2	41		
ZDVSNM3584T	201	2,531	E2	47		
ZDVSNM3587T	201	2,792	E2	45		
ZDVSNM3661T	201	2,909	E2	133		
ZDVSNM3665T	201	3,138	E2	151		
ZDWNM22937T	208, 86	4,339	E2	240		
ZDWNM22938T	208, 86	4,857	E2	292		
ZDWNM3546T	208, 86	2,616	E2	42		
ZDWNM3554T	208, 86	2,749	E2	51		
ZDWNM3609T	208, 86	2,895	E2	71		
ZDWNM3611T	208, 86	3,039	E2	79	3634M	
ZDWNM3707T	208, 86	3,266	E2	125		

<sup>(1)</sup> Shipping weight is approximate.

<sup>(2)</sup> Baldor has suggested alternate products, however there may be slight differences in performance, efficiency, voltage range, dimensions and mounting. Customers should verify suitability of selected products for their specific application.



**UNITED STATES**

**ARIZONA**

**PHOENIX**  
4211 S 43RD PLACE  
PHOENIX, AZ 85040  
PHONE: 602-470-0407  
FAX: 602-470-0464

**ARKANSAS**

**CLARKSVILLE**  
1001 COLLEGE AVE.  
CLARKSVILLE, AR 72830  
PHONE: 479-754-9108  
FAX: 479-754-9205

**CALIFORNIA**

**LOS ANGELES**  
6480 FLOTILLA  
COMMERCE, CA 90040  
PHONE: 323-724-6771  
FAX: 323-721-5859

**HAYWARD**  
21056 FORBES STREET  
HAYWARD, CA 94545  
PHONE: 510-785-9900  
FAX: 510-785-9910

**COLORADO**

**DENVER**  
3855 FOREST STREET  
DENVER, CO 80207  
PHONE: 303-623-0127  
FAX: 303-595-3772

**CONNECTICUT**

**WALLINGFORD**  
65 SOUTH TURNPIKE ROAD  
WALLINGFORD, CT 06492  
PHONE: 203-269-1354  
FAX: 203-269-5485

**FLORIDA**

**TAMPA/PUERTO RICO/  
VIRGIN ISLANDS**  
3906 EAST 11TH AVENUE  
TAMPA, FL 33605  
PHONE: 813-248-5078  
FAX: 813-247-2984

**GEORGIA**

**ATLANTA**  
62 TECHNOLOGY DR.  
ALPHARETTA, GA 30005  
PHONE: 770-772-7000  
FAX: 770-772-7200

**ILLINOIS**

**CHICAGO**  
4 SAMMONS COURT  
BOLINGBROOK, IL 60440  
PHONE: 630-296-1400  
FAX: 630-226-9420

**INDIANA**

**INDIANAPOLIS**  
5525 W. MINNESOTA STREET  
INDIANAPOLIS, IN 46241  
PHONE: 317-246-5100  
FAX: 317-246-5110

**IOWA**

**DES MOINES**  
1800 DIXON STREET, SUITE C  
DES MOINES, IA 50316  
PHONE: 515-263-6929  
FAX: 515-263-6515

**MARYLAND**

**BALTIMORE**  
6660 SANTA BARBARA RD.  
SUITE 22-24  
ELK RIDGE, MD 21075  
PHONE: 410-579-2135  
FAX: 410-579-2677

**MASSACHUSETTS**

**BOSTON**  
6 PULLMAN STREET  
WORCESTER, MA 01606  
PHONE: 508-854-0708  
FAX: 508-854-0291

**MICHIGAN**

**DETROIT**  
5993 PROGRESS DRIVE  
STERLING HEIGHTS, MI 48312  
PHONE: 586-978-9800  
FAX: 586-978-9969

**MINNESOTA**

**MINNEAPOLIS**  
21080 134TH AVE. NORTH  
ROGERS, MN 55374  
PHONE: 763-428-3633  
FAX: 763-428-4551

**MISSOURI**

**ST LOUIS**  
422 INDUSTRIAL DRIVE  
MARYLAND HEIGHTS, MO 63043  
PHONE: 314-298-1800  
FAX: 314-298-7660

**KANSAS CITY**

1501 BEDFORD AVENUE  
NORTH KANSAS CITY, MO 64116  
PHONE: 816-587-0272  
FAX: 816-587-3735

**NEW YORK**

**AUBURN**  
ONE ELLIS DRIVE  
AUBURN, NY 13021  
PHONE: 315-255-3403  
FAX: 315-253-9923

**NORTH CAROLINA**

**GREENSBORO**  
1220 ROTHERWOOD ROAD  
GREENSBORO, NC 27406  
PHONE: 336-272-6104  
FAX: 336-273-6628

**OHIO**

**CINCINNATI**  
2929 CRESCENTVILLE ROAD  
WEST CHESTER, OH 45069  
PHONE: 513-771-2600  
FAX: 513-772-2219

**CLEVELAND**

8929 FREEWAY DRIVE  
MACEDONIA, OH 44056  
PHONE: 330-468-4777  
FAX: 330-468-4778

**OKLAHOMA**

**TULSA**  
7170 S. BRADEN, SUITE 140  
TULSA, OK 74136  
PHONE: 918-366-9320  
FAX: 918-366-9338

**OREGON**

**PORTLAND**  
20393 SW AVERY COURT  
TUALATIN, OR 97062  
PHONE: 503-691-9010  
FAX: 503-691-9012

**PENNSYLVANIA**

**PHILADELPHIA**  
1035 THOMAS BUSCH  
MEMORIAL HIGHWAY  
PENNNSAUKEN, NJ 08110  
PHONE: 856-661-1442  
FAX: 856-663-6363

**PITTSBURGH**

159 PROMINENCE DRIVE  
NEW KENSINGTON, PA 15068  
PHONE: 724-889-0092  
FAX: 724-889-0094

**TENNESSEE**

**MEMPHIS**  
4000 WINCHESTER ROAD  
MEMPHIS, TN 38118  
PHONE: 901-365-2020  
FAX: 901-365-3914

**TEXAS**

**DALLAS**  
3040 QUEBEC  
DALLAS, TX 75247  
PHONE: 214-634-7271  
FAX: 214-634-8874

**HOUSTON**

4647 PINE TIMBERS  
SUITE # 135  
HOUSTON, TX 77041  
PHONE: 713-895-7062  
FAX: 713-690-4540

**UTAH**

**SALT LAKE CITY**  
2230 SOUTH MAIN STREET  
SALT LAKE CITY, UT 84115  
PHONE: 801-832-0127  
FAX: 801-832-8911

**WISCONSIN**

**MILWAUKEE**  
2725 SOUTH 163RD STREET  
NEW BERLIN, WI 53151  
PHONE: 262-784-5940  
FAX: 262-784-1215

**INTERNATIONAL SALES**

**FORT SMITH, AR**

P.O. BOX 2400  
FORT SMITH, AR 72902  
PHONE: 479-646-4711  
FAX: 479-648-5895

**CANADA**

**EDMONTON, ALBERTA**  
4053-92 STREET  
EDMONTON, ALBERTA T6E 6R8  
PHONE: 780-434-4900  
FAX: 780-438-2600

**TORONTO**

**OAKVILLE, ONTARIO**  
2750 COVENTRY ROAD  
OAKVILLE, ONTARIO L6H 6R1  
PHONE: 905-829-3301  
FAX: 905-829-3302

**MONTREAL, QUEBEC**

5155, J.A. BOMBARDIER  
ST-HUBERT (QUÉBEC) CANADA  
J3Z 1G4  
PHONE: 514-933-2711  
FAX: 514-933-8639

**VANCOUVER,  
BRITISH COLUMBIA**

1538 KEBET WAY  
PORT COQUITLAM,  
BRITISH COLUMBIA V3C 5M5  
PHONE: 604-421-2822  
FAX: 604-421-3113

**WINNIPEG, MANITOBA**

54 PRINCESS STREET  
WINNIPEG, MANITOBA R3B 1K2  
PHONE: 204-942-5205  
FAX: 204-956-4251

**AUSTRALIA**

UNIT 3, 6 STANTON ROAD  
SEVEN HILLS, NSW 2147, AUSTRALIA  
PHONE: (61) (2) 9674 5455  
FAX: (61) (2) 9674 2495

UNIT 8, 5 KELLETTS ROAD  
ROWVILLE, VICTORIA, 3178 AUSTRALIA  
PHONE: (61) (3) 9753 4355  
FAX: (61) (3) 9753 4366

**EL SALVADOR**

RESIDENCIAL PINARES DE SUJIZA  
POL. 15 #44,  
NVA. SAN SALVADOR, EL SALVADOR  
PHONE: +503 2288-1519  
FAX: +503 2288-1518

**CHILE**

LUIS THAYER OJEDA 166,  
OF 402 - PROVIDENCIA  
SANTIAGO, CHILE  
PHONE: +56 2 816 9900

**CHINA**

160 SONG SHENG ROAD  
SONGJIANG INDUSTRY ZONE  
SHANGHAI 201613, CHINA  
PHONE: +86 21 5760 5335  
FAX: +86 21 5760 5336

**GERMANY**

DIESELSTRASSE 22  
D-85551 KIRCHHEIM  
MUNICH, GERMANY  
PHONE: +49 89 90 5080  
FAX: +49 89 90 50 8492

**INDIA**

14, COMMERCE AVENUE  
MAHAGANESH COLONY  
PAUD ROAD  
PUNE - 411038  
MAHARASHTRA, INDIA  
PHONE: +91 20 25 45 27 17 / 18  
FAX: +91 20 25 45 27 19

**ITALY**

BALDOR ASR AG  
SUCCURSALE DI MENDRISIO  
VIA BORROMINI, 20A  
CH-6850 MENDRISIO  
SWITZERLAND  
PHONE: 0041 91 640 99 50  
FAX: 0041 91 630 26 33

**JAPAN**

DIA BLDG 802,  
2-21-1 TSURUYA-CHO,  
KANAGAWA-KU  
YOKOHAMA, 221-0835, JAPAN  
PHONE: 81-45-412-4506  
FAX: 81-45-412-4507

**MEXICO**

**LEON, GUANAJUATO**  
KM. 2.0 BLVD. AEROPUERTO  
LEÓN 37545, GUANAJUATO, MEXICO  
PHONE: +52 477 761 2030  
FAX: +52 477 761 2010

**MIDDLE EAST & NORTH AFRICA**

VSE INTERNATIONAL CORP.  
P. O. BOX 5618  
BUFFALO GROVE, IL 60089-5618  
PHONE: 847 590 5547  
FAX: 847 590 5587

**PANAMA**

AVE. RICARDO J. ALFARO  
EDIFICIO SUN TOWERS MALL  
PISO 2, LOCAL 55  
CIUDAD DE PANAMÁ, PANAMÁ  
PHONE: +507 236-5155  
FAX: +507 236-0591

**SINGAPORE**

18 KAKI BUKIT ROAD 3, #03-09  
ENTREPRENEUR BUSINESS CENTRE  
SINGAPORE 415978  
PHONE: (65) 6744 2572  
FAX: (65) 6747 1708

**SWITZERLAND**

POSTFACH 73  
SCHUTZENSTRASSE 59  
CH-8245 FEUERTHALEN  
SWITZERLAND  
PHONE: +41 52 647 4700  
FAX: +41 52 659 2394

**TAIWAN**

1F, NO 126 WENSHAN 3RD STREET,  
NANTUN DISTRICT,  
TAICHUNG CITY 408  
TAIWAN R.O.C  
PHONE: (886) 4 238 04235  
FAX: (886) 4 238 04463

**UNITED KINGDOM**

6 BRISTOL DISTRIBUTION PARK  
HAWKLEY DRIVE  
BRISTOL BS32 0BF U.K.  
PHONE: +44 1454 850000  
FAX: +44 1454 859001

**VENEZUELA**

AV. ROMA, OTA EL MILAGRO, URB.  
CALIFORNIA NORTE  
CARACAS, 1070  
VENEZUELA  
PHONE/FAX: +58 212 272 7343  
MOBILE: +58 414 114 8623



**For more information  
about our products  
or where to buy them,  
please visit our website  
at [www.baldor.com](http://www.baldor.com).**

The logo consists of the word "BALDOR" in a bold, black, sans-serif font, with a registered trademark symbol (®) to the right. The text is centered between two thick, horizontal red bars.

# Invest in Gold



**BALDOR • RELIANCE**

Electric motors consume 63 percent of all electricity used in U.S. industry. Designed and built to meet or exceed NEMA Premium® efficiency standards, Baldor•Reliance® Super-E® motors run cooler, last longer and cost less every minute they operate.

Fractional to 15,000 Hp, Baldor•Reliance Super-E motors reduce your electricity costs with a return on your investment that's as good as gold.

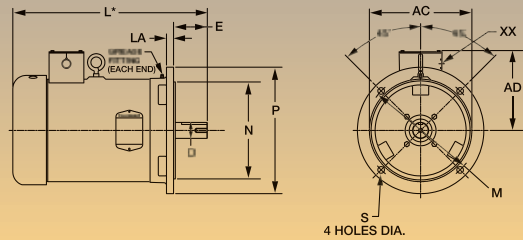
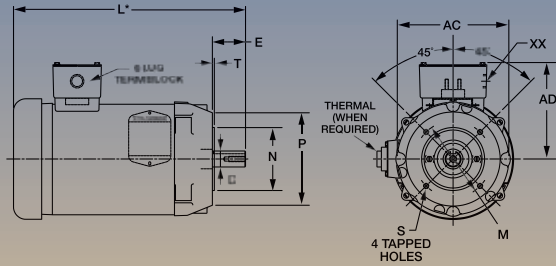
[baldor.com](http://baldor.com)

- Energy Efficient
- Unmatched Quality
- Superior Reliability
- Quickest Delivery Available

**BALDOR**

# BALDOR®

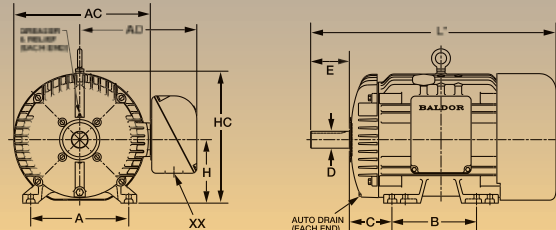
**Leader in Energy Efficient Industrial Electric Motors and Drives**



Key and Keyseat Dimensions									
Frame	D	G	F	GD	Frame	D	G	F	GD
63	11	8.5	4	4	180	48	42.5	14	9
71	14	11	5	5	200	55	49	16	10
80	19	15.5	6	6	225	60	53	18	11
90	24	20	8	7	250	70	67.5	20	12
100	28	24	8	7	280	80	71	22	14
112	28	24	8	7	315	85	76	22	14
132	38	33	10	8	355	85	76	22	14
160	42	37	12	8					

Drawings represent standard TEFC general purpose motors.

\*Dimensions are for reference only.



\*Contact your local Baldor office for "L" Dimensions.

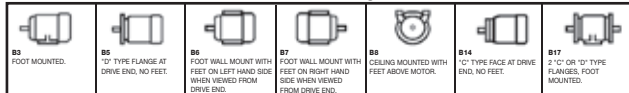
## IEC QUICK REFERENCE CHART

IEC Frame	Type	Foot Mounting				Shaft				B5 Flange				B14 Face				General					
		A	B	C	H	D	E	LA	M	N	P	S	T	M	N	P	S	T	L	AC	HC	XX	
63	300	100	80	40	63	11	23	8	115	95	140	9	3	75	60	90	M5	2.5	+	119	102	121	13
		3.937	3.150	1.570	2.480	.433	.906	.313	4.528	3.740	5.512	.354	.118	2.953	2.362	3.540		0.98		4.690	4.760	5.00	22d
71	300 400	112	90	45	71	14	30	8	130	110	160	10	3.5	85	70	105	M6	2.5	+	119	102	131	18
		4.409	3.543	1.770	2.800	.551	1.181	.313	5.118	4.331	6.299	.393	.138	3.347	2.756	4.130		.098		4.690	4.760	5.140	21d
80	400 500	125	100	50	80	19	40	13	165	130	200	12	3.5	100	80	120	M6	3	+	145	116	152	22
		4.921	3.937	1.969	3.150	.748	1.575	.500	6.496	5.118	7.874	.472	.138	3.937	3.150	4.724		.118		5.690	4.510	6	.880
90	S L	140	100	56	90	24	50	13	165	130	200	12	3.5	115	95	140	M8	3	+	168	130	173	22
		5.511	3.937	2.205	3.543	.945	1.969	.500	6.496	5.118	7.874	.472	.138	4.530	3.740	5.512		.118		4.690	4.510	6	.880
100	S L	160	112	63	100	28	60	14	215	180	250	14	4	130	110	160	M8	3.5	+	200	149	173	22
		6.300	4.409	2.480	3.937	1.102	2.362	.562	8.465	7.087	9.840	.560	.160	5.108	4.331	6.299		.138		7.875	5.875	7.906	21d
112	S M	190	114	70	112	28	60	14	215	180	250	14	4	130	110	160	M8	3.5	+	243	149	214	27
		7.480	4.488	2.760	4.409	1.102	2.362	.562	8.465	7.087	9.840	.560	.160	5.108	4.331	6.299		.138		7.875	5.875	8.437	1.062
132	S M	216	140	89	132	38	80	14	265	230	300	14	4	165	130	200	M8	3.5	+	243	187	256	27
		8.504	5.512	3.504	5.197	1.496	3.150	.562	10.433	9.055	11.811	.560	.160	6.496	5.118	7.874		.138		9.562	7.375	10.062	1.062
160	M L	254	210	108	160	42	110	20	300	250	350	19	5	215	180	250	M12	4	+	329	242	329	35
		10	8.268	4.252	6.299	1.654	4.331	.787	11.811	9.840	13.780	.748	.200	8.465	7.087	9.840		.160		12.940	9.510	12.940	1.375
180	M L	279	241	121	180	48	110	20	300	250	350	19	5	215	180	250			+	395	333	372	51
		10.984	9.488	4.764	7.087	1.890	4.331	.787	11.811	9.840	13.780	.748	.200	8.465	7.087	9.840				15.560	13.120	14.640	2.008
200	M L	318	267	133	200	55	110	27	350	300	400	19	5	215	180	250			+	441	359	416	63
		12.520	10.512	5.236	7.874	2.165	4.331	1.062	13.780	11.811	15.748	.748	.200	8.465	7.087	9.840				17.375	14.125	16.375	2.500
225	S M	356	286	149	225	60	140	19	400	350	450	19	6	236					+	495	383	483	63
		14.016	11.260	5.866	8.858	2.362	5.512	.748	15.748	13.780	17.716	.748	.236							19.488	15.079	19.016	2.500
250	S M	406	311	168	250	65	140												+	520	457	513	63
		15.984	12.244	6.614	9.843	2.559	5.512													20.472	17.992	20.197	2.500
280	S M	457	368	190	280	75	140												+	616	497	581	63
		17.992	14.488	7.485	11.025	2.953	5.512													24.252	19.567	22.874	2.500
315	S M	508	406	216	315	80	170												+	759	683	682	102
		20	16	8.500	12.400	3.149	6.693													29.900	26.880	26.840	4

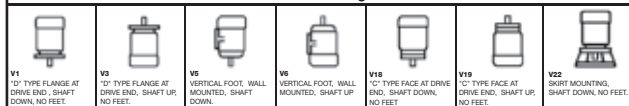
### LEGEND

Metric (MM) Dimensions in Black  
 Inch Dimensions in Red  
 d = DC Motors  
 1 mm = .03937" 1" = 25.40 mm

#### Horizontal Shaft Arrangements



#### Vertical Shaft Arrangements



#### IP Protection - Baldor Enclosures

- IP22** = Open Drip Proof AC or DC Motors.
- IP54** = All standard TEFC AC and DC Motors.
- IP55** = All 841 Chemical Processing, Dirty Duty, and Washdown Duty Motors

**BALDOR ELECTRIC COMPANY**  
 P.O. BOX 2400  
 FORT SMITH, ARKANSAS  
 72902-2400 U.S.A.

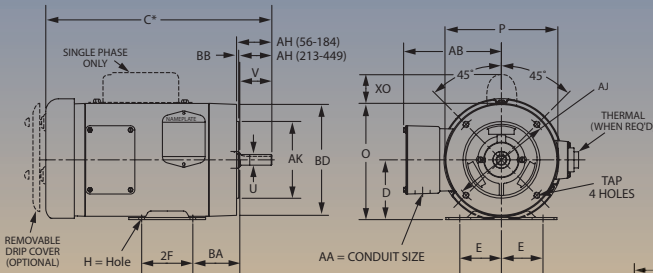
#### SUMMARY OF IP PROTECTION NUMBERS

- | First #<br>Protection Against Solid Objects   | Second #<br>Protection Against Liquids   |
|---|--|
| <b>IP TESTS</b>   | <b>0</b> NO PROTECTION   |
| <b>1</b> Protection against solid objects up to 50 mm. (E.G. Accidental touch by hands.)  | <b>1</b> Protection against vertical drops of water. (E.G. Condensation.)                    |
| <b>2</b> Protection against solid objects up to 12 mm. (E.G. Fingers)                     | <b>2</b> Protection against falling water up to 15 degrees from the vertical.                |
| <b>3</b> Protection against solid objects over 2.5 mm. (E.G. Tools, Wires)                | <b>3</b> Protection against falling water up to 60 degrees from the vertical.                |
| <b>4</b> Protection against solid objects over 1 mm. (E.G. Tools, Wires, and Small Wires) | <b>4</b> Protection against splashing water from all directions, limited ingress.            |
| <b>5</b> Protection against dust - limited ingress (No harmful deposits)                  | <b>5</b> Protection against low pressure jets of water from all directions, limited ingress. |
| <b>6</b> Totally protected against all dust.  | <b>6</b> Protection against strong jets of water. (E.G. Use on ship decks, limited ingress.) |
|   | <b>7</b> Protection against immersion.   |
|   | <b>8</b> Protection against submersion.  |

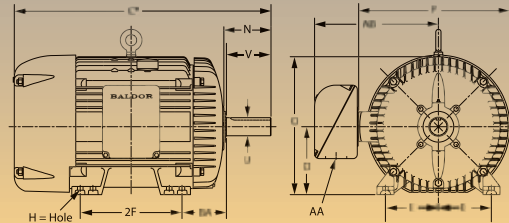
# BALDOR®

**Leader in Energy Efficient Industrial Electric Motors and Drives**

NEMA Shaft	Keyseat Dimensions		NEMA Shaft	Keyseat Dimensions	
	(U)	(R)		(U)	(R)
3/8	21/64	FLAT	1-7/8	1-19/32	1/2
1/2	29/64	FLAT	2-1/8	1-27/32	1/2
5/8	33/64	3/16	2-3/8	2-1/64	5/8
7/8	49/64	3/16	2-1/2	2-3/16	5/8
1-1/8	63/64	1/4	2-7/8	2-29/64	3/4
1-3/8	1-13/64	5/16	3-3/8	2-7/8	7/8
1-5/8	1-13/32	3/8	3-7/8	3-5/16	1



Drawings represent standard TEFC general purpose motors  
 Refer Data Section 502 for various models, OPEN or TEFC  
 \*Dimensions are for reference only.



\*Contact your local Baldor office for "C" Dimensions.

Dimensions - N, O, P, AB and XO are specific to Baldor.

## NEMA QUICK REFERENCE CHART

NEMA FRAME	D	E	2F	H	N	O	P	U	V	AA	AB	AH	AJ	AK	BA	BB	BD	XO	TAP				
42	2-5/8	1-3/4	1-11/16	9/32 SLOT	1-1/2	5	4-11/16	3/8	1-1/8	3/8	4-1/32	1-5/16	3-3/4	3	2-1/16	1/8	4-5/8	1-9/16	1/4-20				
48	3	2-1/8	2-3/4	11/32 SLOT	1-7/8	5-7/8	5-11/16	1/2	1-1/2	1/2	4-3/8	1-11/16	3-3/4	3	2-1/2	1/8	5-5/8	2-1/4	1/4-20				
56 56H	3-1/2	2-7/16	3	11/32 SLOT	2-7/16	6-7/8	6-5/8	5/8	1-7/8	1/2	5	2-1/16	5-7/8	4-1/2	2-3/4	1/8	6-1/2	2-1/4	3/8-16				
143T 145T	3-1/2	2-3/4	4	5	11/32	2-1/2	6-7/8	6-5/8	7/8	2-1/4	3/4	5-1/4	2-1/8	5-7/8	4-1/2	2-1/4	1/8	6-1/2	2-1/4	3/8-16			
182 184 182T 184T	4-1/2	3-3/4	4-1/2	5-1/2	13/32	2-11/16	2-11/16	3-9/16	8-11/16	7-7/8	7/8	2-1/4	2-1/8	5-7/8	4-1/2	2-3/4	1/8	6-1/2	2-3/8	3/8-16			
213 215 213T 215T	5-1/4	4-1/4	5-1/2	7	13/32	3-1/2	3-1/2	3-7/8	10-1/4	9-9/16	1-1/8	3	3/4	2-3/4	3-1/8	1/4	9	2-3/4	1/2-13				
254U 256JU 254T 256T	6-1/4	5	8-1/4	10	17/32	4-1/16	4-1/16	4-5/16	12-7/8	12-15/16	1-3/8	3-3/4	1	9-5/8	3-3/4	1/4	10	-	1/2-13				
284U 286U 284T 286T 284TS 286TS	7	5-1/2	9-1/2	11	17/32	5-1/8	5-1/8	4-7/8	14-5/8	14-5/8	1-5/8	4-7/8	1-1/2	13-1/8	4-3/8	1/4	10-1/2	11-1/4	1/2-13				
324U 326U 324T 326T 324TS 326TS	8	6-1/4	10-1/2	12	21/32	5-7/8	5-7/8	5-1/2	16-1/2	16-1/2	1-7/8	5-5/8	2	14-1/8	5	1/4	11	12-1/2	5-1/4	1/4	13-3/8	-	5/8-11
364U 365U 364T 365T 364TS 365TS	9	7	11-1/4	12	21/32	6-3/4	6-3/4	6-1/4	18-1/2	18-1/4	2-1/8	6-3/8	2-1/2	15-1/16	5	1/4	11	12-1/2	5-7/8	1/4	13-3/8	-	5/8-11
404U 405U 404T 405T 404TS 405TS	10	8	12-1/4	13	13/16	7-3/16	7-3/16	7-5/16	20-5/16	20-1/8	2-3/8	7-1/8	3	18	7	1/4	11	12-1/2	6-5/8	1/4	13-7/8	-	5/8-11
444U 445U 444T 445T 447T 449T 444TS 445TS 447TS 449TS	11	9	14-1/2	15	13/16	8-5/8	8-5/8	8-1/2	22-7/8	22-3/8	2-7/8	8-5/8	3	19-9/16	8	1/4	11	16	7-1/2	1/4	16-3/4	-	5/8-11

Both Baldor and Reliance products are shown in this catalog. There are slight differences in dimensions between the two product designs, primarily in the O and P dimensions. The above chart reflects Baldor dimensions. For more exact dimensional data, please check the specific drawing for the specific catalog number.

5000 FRAME	D	E	2F	H	O	P	U	V	AA	AB	BA
5007S	12-1/2	10	22	15/16	26-27/32	30	2-1/2	6-1/2	4-NPT	26-7/8	8-1/2
5007L	12-1/2	10	22	15/16	26-27/32	30	3-7/8	11-1/8	4-NPT	26-7/8	8-1/2
5009S	12-1/2	10	28	15/16	26-27/32	30	2-1/2	6-1/2	4-NPT	26-7/8	8-1/2
5009L	12-1/2	10	28	15/16	26-27/32	30	3-7/8	11-1/8	4-NPT	26-7/8	8-1/2
5011S	12-1/2	10	36	15/16	26-27/32	30	2-1/2	6-1/2	4-NPT	26-7/8	8-1/2
5011L	12-1/2	10	36	15/16	26-27/32	30	3-7/8	11-1/8	4-NPT	26-7/8	8-1/2

NEMA C-Face	BA Dimensions
143-5TC	2-3/4
182-4TC	3-1/2
213-5TC	4-1/4
254-6TC	4-3/4

**BALDOR ELECTRIC COMPANY**  
 P.O. BOX 2400  
 FORT SMITH, ARKANSAS  
 72902-2400 U.S.A.

Frame	NEMA FRAMES PRIOR TO 1953							
	D	E	F	N	U	V	BA	BA
66	4-1/8	2-15/16	2-1/2	2-1/4	3/4	2-1/4	3-1/8	3-1/8
203	5	4	2-3/4	2-7/16	3/4	2	3-1/8	3-1/8
204	5	4	3-1/4	3-3/8	1	3	3-1/2	3-1/2
224	5-1/2	4-1/2	3-3/4	3-1/4	1	3	3-1/2	3-1/2
225	5-1/2	4-1/2	3-3/4	3-1/4	1	3	3-1/2	3-1/2
254	6-1/4	5	4-1/8	3-7/16	1-1/8	3-3/8	4-1/4	4-1/4
284	7	5-1/2	4-3/4	4-1/4	1-1/4	3-3/4	4-3/4	4-3/4
324	8	6-1/4	5-1/4	5-3/8	1-5/8	4-7/8	5-1/4	5-1/4
326	8	6-1/4	5-1/4	5-3/8	1-5/8	4-7/8	5-1/4	5-1/4
364	9	7	6-1/8	5-5/8	1-7/8	5-3/8	5-7/8	5-7/8
365	9	7	6-1/8	5-5/8	1-7/8	5-3/8	5-7/8	5-7/8
404	10	8	6-1/8	6-3/8	2-1/8	6-1/8	6-5/8	6-5/8
405	10	8	6-1/8	6-3/8	2-1/8	6-1/8	6-5/8	6-5/8
444	11	9	7-1/4	7-1/8	2-3/8	6-7/8	7-1/2	7-1/2
445	11	9	7-1/4	7-1/8	2-3/8	6-7/8	7-1/2	7-1/2
504	12-1/2	10	8	8-5/8	2-7/8	8-3/8	8-1/2	8-1/2
505	12-1/2	10	8	8-5/8	2-7/8	8-3/8	8-1/2	8-1/2

